

SMMSe / SHRMe VRF Indoor Unit MMC-AP0308HPUL—Underceiling



Submittal Data

Job Name _____ Location _____
Tag _____



SMMSe / SHRMe VRF Underceiling Features

- R-410A refrigerant
- Five sizes from 18,000 to 48,000 Btu/h
- Quiet operation, as low as 32 dBA
- Vertical airflow can be set to swing or fixed position
- Auto or manually set three fan speeds
- Easy to remove cleanable filter
- Five-year parts limited warranty

INDOOR UNIT MODEL		MMC-AP0308HPUL
PERFORMANCE		
Cooling Rated Capacity	Btu/h	30,000
Heating Rated Capacity	Btu/h	34,000
Fan Type (Qty)	Centrifugal (3)	
Air Flow (H / M / L)	CFM	847 / 600 / 441
Sound Pressure (H / M / L)	dBA	43 / 36 / 33
FILTER (Included)		
Type	Washable	
Quantity	2	
MERV rating	5	
Dimensions (W x L x D)	in.	9-3/4 x 16-5/8 x 1/2
		9-3/4 x 29-1/8 x 1/2
ELECTRICAL		
Power Supply	V/Ph/Hz	208-230/1/60
Power Consumption (Input)	kW	0.067
Full Load Amps (FLA)	A	0.75
Minimum Circuit Amps (MCA)	A	0.93
Maximum Overcurrent Protection (MOCP)	A	15.0

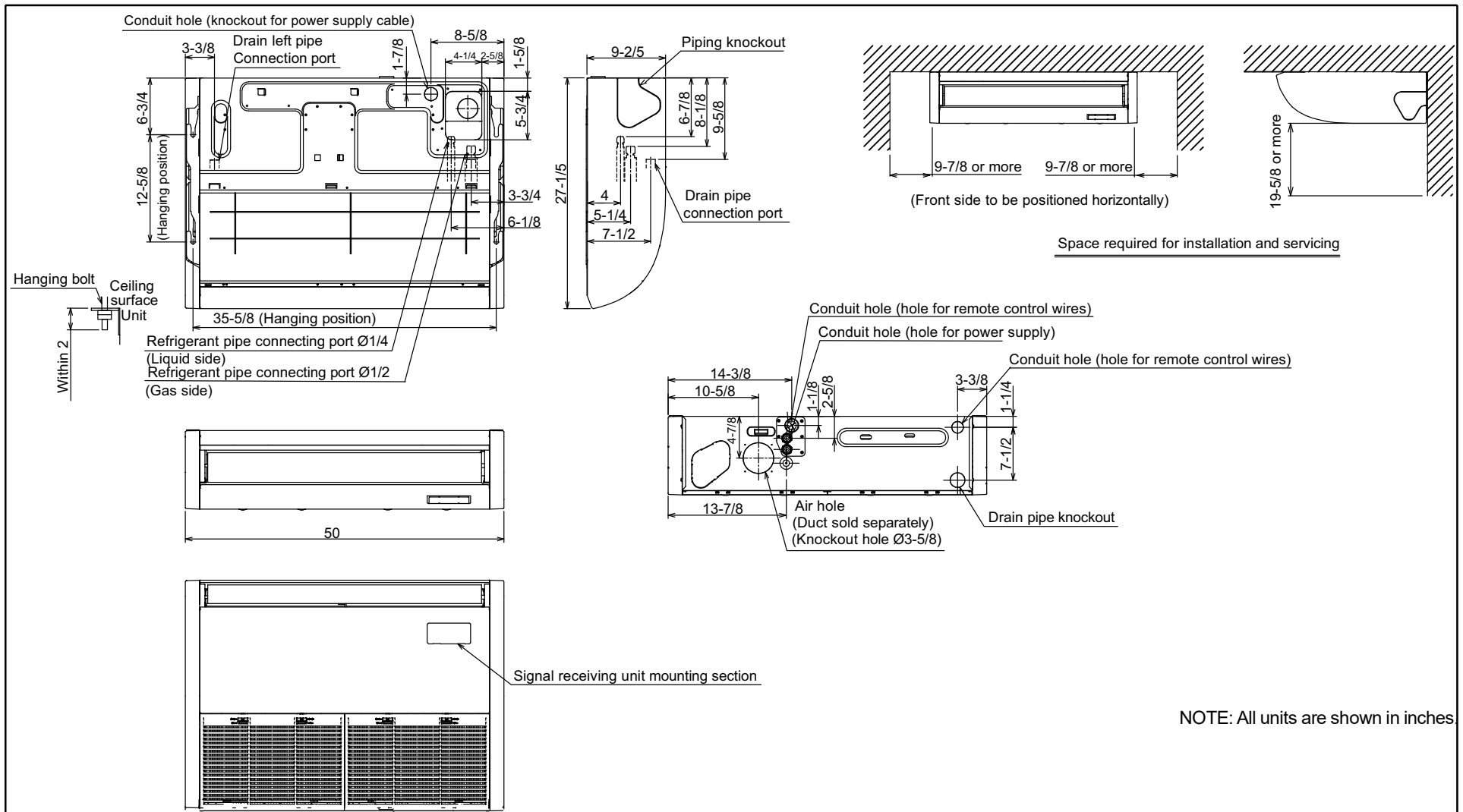
MOTOR		
Motor Type	DC	
Motor Watts	W	94
PHYSICAL DATA		
Pipe Connection Size - Liquid (High Pressure)	in.	3/8 (Flare)
Pipe Connection Size - Gas (Low Pressure)	in.	5/8 (Flare)
Pipe Connection Size - Drain (OD)	in.	1
Pipe Connection Size - Drain (ID)	in.	13/16
Refrigerant	R-410A	
External Finish	Munsell N9.1	
Unit Width	in.	50
Unit Height	in.	9-2/5
Unit Depth	in.	27-1/5
Net Weight	lb	69

ACCESSORIES

- Wired Remote Controller (7-Day Programmable) - RBC-AMS54E-UL
- Simple Wired Remote Control - RBC-AS41UL
- Stand Alone Receiver with Wireless Remote TCB-AX32UL
- Integral Receiver with Wireless Remote RBC-AX33C-UL
- Remote Sensor TCB-TC41LUL
- Wired Remote Controller - RBC-AMT32UL
- Elbow Piping Kit TCB-KP24CPE
- Condensate Drain Pump Kit TCB-DP31CE
- Auxiliary Outside Air Flange TCB-FF101RUL

Manufacturer reserves the right to discontinue, or change at any time, specifications or designs without notice and without incurring obligations.

DIMENSIONAL DRAWING INDOOR UNIT UNDERCEILING MMC-AP0308HPUL



NOTE: All units are shown in inches

