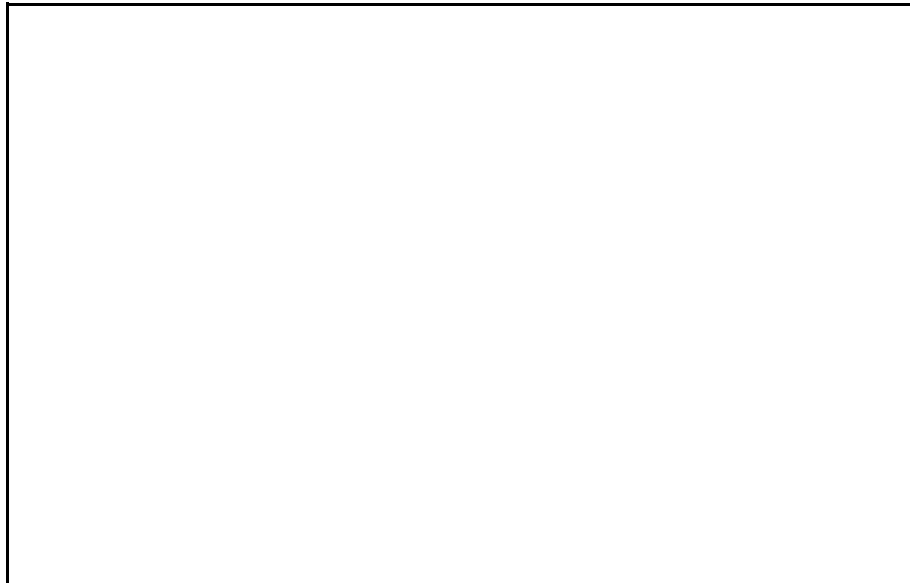




582K 04-07 LEGACY™ LINE WITH AXION FAN™ TECHNOLOGY SINGLE PACKAGE ROOFTOP GAS HEAT/ELECTRIC COOLING UNITS

- PERFORMANCE DATA**
- CERTIFIED DIMENSION PRINTS**
- CERTIFIED ROOF CURB DETAILS**



JOB NAME:	LOCATION:	
BUYER:	BUYER PO #:	Bryant#:
UNIT NUMBER:	MODEL NUMBER:	
PERFORMANCE DATA CERTIFIED BY:		

DESCRIPTION

582K units are single-packaged electric cooling, gas heating unit that are pre-wired and pre-charged with Puron® (R-410A) HFC refrigerant. The units are factory tested in both heating and cooling modes. Sizes 04-06 models use single-stage cooling capacity control. Size 07 models use two-stage cooling capacity control.

FEATURES

Standard Base Unit

- Puron (R-410A) HFC refrigerant
- 14.0 SEER and 15.2 IEER on 3-phase products and 13.8 SEER2 on single-phase products
- IEER of 15.0
- Meets or exceeds ASHRAE 90.1 energy efficiency levels
- Rated in accordance with AHRI Standards 210/240 for sizes 04-06 and 340/360 for size 07
- Designed in accordance with Underwriters Laboratories Std 1995
- Listed by UL and UL-Canada
- Single-stage cooling capacity control on 04 to 06 models, two-stage on 07 models
- Corrosive resistant composite sloping design; side or center drain condensate pan. Meets ASHRAE Standard 62
- Standard cooling operating range from 40°F up to 115°F (4°C up to 46°C). Field installable accessory extends the minimum down to -20°F (-29°C)
- Field convertible from vertical to horizontal airflow for slab mounting — no special kits required
- Two-inch disposable return air filters
- Thru-the-bottom power and gas entry capability
- Single point gas and electric connections
- 24-volt control circuit protected with resettable circuit breaker
- Direct Drive - Axion Fan technology indoor fan system uses vane axial fan design and electronically commutated motor
 - Shall have inherent automatic-reset thermal overload protection
 - Shall require no fan/motor belts for operation, adjustments, and/or initial fan speed setup
 - Shall be internally protected from electrical phase reversal and loss
 - Shall have slow ramp up to speed control capabilities to help reduce sound and comfort issues
 - Shall be a slide-out design with two screw removal
 - On 07 size model with two stage cooling capacity control, the indoor fan speed is automatically controlled to meet the code compliant 66% low fan speed and 100% at full fan speed
- Totally enclosed condenser motors with permanently lubricated bearings
- Low-pressure and high-pressure switches

- Full perimeter base rail with built-in rigging adapters and fork truck slots
- Centralized terminal board facilitating simple safety circuit troubleshooting and simplified control box arrangement
- New unit control board with intuitive quick fan speed adjustment

Cabinet

- Access panels with easy grip handles
- Innovative, easy starting, no-strip screw feature on unit access panels
- Pre-painted exterior panels and primer-coated interior panels tested to 500 hours salt spray protection
- Fully insulated cabinet
- Tool-less filter access door

Refrigerant System

- Acutrol™ refrigerant metering system on 04 to 06 models, TXV on 07 models
- Liquid line filter drier
- Scroll compressors with internal line-break overload protection (one-stage on 04 to 06 models, two-stage on 07 models)
- Copper tube, aluminum fin coils with optional corrosion resistant coils
- Top cover removable gage line plugs for reading refrigerant pressure with unit panels in place

Gas Heat

- IGC solid-state gas heat exchanger control for on-board diagnostics, anti-cycle protection, LED error code designation, burner control logic and energy saving indoor fan motor delay
- Gas efficiencies up to 81%
- Inducted draft combustion
- Redundant gas valve, with 2 stages of heating
- Flame roll-out safety protector
- Solid-state electronic direct spark ignition system
- Dedicated 3 to 5 ton “low NOx” models available that meet California Air Quality Management NOx requirement of 40 nanograms/joule. Low NOx models include stainless steel heat exchangers.

Standard Limited Parts Warranty

- 15-year gas heat exchanger parts - Stainless Steel
- 10-year gas heat exchanger parts - Aluminized
- 5-year compressor parts

PERFORMANCE DATA

Unit Operating Weight _____ lb	Exhaust Fan Motor Size _____ HP
COOLING	Curb Weight _____ lb
Gross Total Capacity _____ Btuh	HEATING (GAS)
at Condenser Air Temperature _____ °F	Heating Capacity:
Gross Sensible Capacity _____ Btuh	Stage 1 _____ Btuh
Compressor Power Input _____ kW	Stage 2 _____ Btuh
Indoor Entering: db _____ °F / wb _____ °F	Heating Capacity Total _____ Btuh
Airflow _____ CFM External Static Pressure _____ in. wg	Stage 1 _____ kW
Indoor Fan Motor Size _____ HP	Stage 2 _____ kW
Indoor Fan Motor Setting _____ Vdc	Heating Capacity Total _____ kW

ELECTRICAL DATA

Power Supply to Unit _____
 Volts _____
 Phase _____ Hz
 Maximum Circuit Amps _____
 Maximum Overcurrent Protection _____

SUBMITTAL DATA

Job Name _____
 Architect _____
 Engineer _____
 Contractor _____
 Unit Designation _____



FACTORY-INSTALLED OPTIONS

❑ Economizer with DRY BULB Sensing and Barometric Relief (04-06 sizes)

Low Leak Air Dampers —

- Models with W7212 controller provide standard non-diagnostic control (EconoMiSer® IV system).
- Models with W7220 controller meet California Title 24 (Section 120.2), IECC, and ASHRAE 90.1 for Fault Detection and Diagnostic (FDD) requirements (EconoMiSer X system).
- Models with RTU Open controller meet California Title 24 (Section 120.2), IECC, and ASHRAE 90.1 for Fault Detection and Diagnostic (FDD) requirements (EconoMiSer 2 system).

❑ Economizer with ENTHALPY Sensing and Barometric Relief (04-06 sizes)

Low Leak Air Dampers —

- Models with W7212 controller provide standard non-diagnostic control (EconoMiSer® IV system).
- Models with W7220 controller meet California Title 24 (Section 120.2), IECC, and ASHRAE 90.1 for Fault Detection and Diagnostic (FDD) requirements (EconoMiSer X system).
- Models with RTU Open controller meet California Title 24 (Section 120.2), IECC, and ASHRAE 90.1 for Fault Detection and Diagnostic (FDD) requirements (EconoMiSer 2 system).

❑ Economizer with DRY BULB Sensing and Barometric Relief (04-07 sizes)

ULTRA LOW LEAK Air Dampers —

- Models with W7220 controller meet California Energy Commission Title 24-2016 prescriptive section 140.4 (damper leakage, etc.), and mandatory section 120.2.i for Fault Detection and Diagnostic controls. Economizers meet ASHRAE 90.1-2016 damper leakage requirements as stated in section 6.5.1.1.4 and Table 6.4.3.4.3, and meet 2016 Fault Detection and Diagnosis requirements in section 6.4.3.12. For outside air, return, and relief air damper leakage requirements economizers meet IECC 2012 section C402.4.5.2 and IECC 2015 sections C403.2.4.3 and C403.3.3.5 and IECC 2015 section C403.2.4.7 for Fault Detection and Diagnostic requirements.
NOTE: IECC 2015 section C403.2.4.7.1 requires differential return air sensor, which must be ordered separately.
Outside air, return air, and relief air (volume) dampers are AMCA rated — plus 5 year limited parts warranty (EconoMiSer X system).
- Models with RTU Open meet California Energy Commission Title 24-2016 prescriptive section 140.4 (damper leakage, etc.) and mandatory section 120.2.i for Fault Detection and Diagnostic requirements. Economizers meet ASHRAE 90.1-

2016 damper leakage requirements as stated in section 6.5.1.1.4 and Table 6.4.3.4.3, and meet 2016 Fault Detection and Diagnosis requirements in section 6.4.3.12. Economizers meet IECC 2012 section C402.4.5.2 and IECC 2015 sections C403.2.4.3 and C403.3.3.5 for outside air, return air, and relief air damper leakage requirements and IECC 2015 section C403.2.4.7 for Fault Detection and Diagnostic requirements.

NOTE: IECC 2015 section C403.2.4.7.1 requires differential return air sensor, which must be ordered separately.

Outside air, return air, and relief air (volume) dampers are AMCA rated — plus 5 year limited parts warranty (EconoMiSer 2 system).

❑ Economizer with ENTHALPY Sensing and Barometric Relief (04-07 sizes)

ULTRA LOW LEAK Air Dampers —

- Models with W7220 controller meet California Energy Commission Title 24-2016 prescriptive section 140.4 (damper leakage, etc.), and mandatory section 120.2.i for Fault Detection and Diagnostic controls. Economizers meet ASHRAE 90.1-2016 damper leakage requirements as stated in section 6.5.1.1.4 and Table 6.4.3.4.3, and meet 2016 Fault Detection and Diagnosis requirements in section 6.4.3.12. For outside air, return, and relief air damper leakage requirements economizers meet IECC 2012 section C402.4.5.2 and IECC 2015 sections C403.2.4.3 and C403.3.3.5 and IECC 2015 section C403.2.4.7 for Fault Detection and Diagnostic requirements.
NOTE: IECC 2015 section C403.2.4.7.1 requires differential return air sensor, which must be ordered separately.
Outside air, return air, and relief air (volume) dampers are AMCA rated — plus 5 year limited parts warranty (EconoMiSer X system).
- Models with RTU Open meet California Energy Commission Title 24-2016 prescriptive section 140.4 (damper leakage, etc.) and mandatory section 120.2.i for Fault Detection and Diagnostic requirements. Economizers meet ASHRAE 90.1-2016 damper leakage requirements as stated in section 6.5.1.1.4 and Table 6.4.3.4.3, and meet 2016 Fault Detection and Diagnosis requirements in section 6.4.3.12. Economizers meet IECC 2012 section C402.4.5.2 and IECC 2015 sections C403.2.4.3 and C403.3.3.5 for outside air, return air, and relief air damper leakage requirements and IECC 2015 section C403.2.4.7 for Fault Detection and Diagnostic requirements.
NOTE: IECC 2015 section C403.2.4.7.1 requires differential return air sensor, which must be ordered separately.
Outside air, return air, and relief air (volume) dampers are AMCA rated — plus 5 year limited parts warranty (EconoMiSer 2 system).

FACTORY-INSTALLED OPTIONS (cont)

Standard Base Unit

- RTU Open multi-protocol controller communicates to BACnet™¹, Modbus®¹, LonWorks®¹, and Johnson N2 protocols.
- Through the base connectors for gas and electric conduit/piping
- Stainless steel gas heat exchanger (includes tubes, vestibule plate and collector box)
- Perfect Humidity™ adaptive dehumidification system (This option should also include low ambient controls)²
- Two-position motorized outdoor air damper (04-06 sizes)
- Non-fused disconnect
- Powered 115-volt convenience outlet²
- Non-powered 115-volt convenience outlet
- High static evaporator fan motor
- Return air smoke detector
- Supply air smoke detector
- CO₂ sensor
- Condenser hail guard - louvered style²
- Special coating protection for evaporator and condenser coils²
- Hinged access doors
- Condensate overflow switch

Optional Warranties

- Complete unit parts only, up to 5 years
 - Complete unit parts and labor, up to 5 years
- Many other optional warranties are available. See the Commercial Start-Up and Optional Extended Warranty Price pages for further information.

1. Third-party trademarks and logos are the property of their respective owners.
2. Not available on single-phase models.

FIELD-INSTALLED ACCESSORIES

NOTE: 582K 07 models use two-speed indoor fan logic, the W7212 controller is designed for single-speed motor control. See Application Tip “BY-ROOFTOP-18-01” for further guidance when using this unit.

❑ Economizer with DRY BULB Sensing and Barometric Relief

Low Leak Air Dampers —

- Models with W7212 controller provide standard non-diagnostic control. EconoMiSer® IV.
- Models with W7220 controller meet California Title 24 (Section 120.2), IECC, and ASHRAE 90.1 for Fault Detection and Diagnostic (FDD) requirements (EconoMiSer X system).
- Models with RTU Open controller meet California Title 24 (Section 120.2), IECC, and ASHRAE 90.1 for Fault Detection and Diagnostic (FDD) requirements (EconoMiSer 2 system).

❑ Economizer with ENTHALPY Sensing and Barometric Relief

Low Leak Air Dampers —

- Models with W7212 controller provide standard non-diagnostic control. EconoMiSer IV.
- Models with W7220 controller meet California Title 24 (Section 120.2), IECC, and ASHRAE 90.1 for Fault Detection and Diagnostic (FDD) requirements (EconoMiSer X system).
- Models with RTU Open controller meet California Title 24 (Section 120.2), IECC, and ASHRAE 90.1 for Fault Detection and Diagnostic (FDD) requirements (EconoMiSer 2 system).

❑ Economizer with DRY BULB Sensing and Barometric Relief

ULTRA LOW LEAK Air Dampers —

- Models with W7220 controller meet California Energy Commission Title 24-2016 prescriptive section 140.4 (damper leakage, etc.), and mandatory section 120.2.i for Fault Detection and Diagnostic controls. Economizers meet ASHRAE 90.1-2016 damper leakage requirements as stated in section 6.5.1.1.4 and Table 6.4.3.4.3, and meet 2016 Fault Detection and Diagnosis requirements in section 6.4.3.12. For outside air, return, and relief air damper leakage requirements economizers meet IECC 2012 section C402.4.5.2 and IECC 2015 sections C403.2.4.3 and C403.3.3.5 and IECC 2015 section C403.2.4.7 for Fault Detection and Diagnostic requirements. NOTE: IECC 2015 section C403.2.4.7.1 requires differential return air sensor, which must be ordered separately. Outside air, return air, and relief air (volume) dampers are AMCA rated.
- Models with RTU Open meet California Energy Commission Title 24-2016 prescriptive section 140.4 (damper leakage, etc.) and mandatory section 120.2.i for Fault Detection and Diagnostic requirements. Economizers meet ASHRAE 90.1-2013 / 2016 damper leakage requirements as stat-

ed in section 6.5.1.1.4 and Table 6.4.3.4.3, and meet 2016 Fault Detection and Diagnosis requirements in section 6.4.3.12. Economizers meet IECC 2012 section C402.4.5.2 and IECC 2015 sections C403.2.4.3 and C403.3.3.5 for outside air, return air, and relief air damper leakage requirements and IECC 2015 section C403.2.4.7 for Fault Detection and Diagnostic requirements. NOTE: IECC 2015 section C403.2.4.7.1 requires differential return air sensor, which must be ordered separately.

Outside air, return air, and relief air (volume) dampers are AMCA rated — plus 5 year limited parts warranty. EconoMiSer 2.

❑ Economizer with ENTHALPY Sensing and Barometric Relief

ULTRA LOW LEAK Air Dampers —

- Models with W7220 controller meet California Energy Commission Title 24-2016 prescriptive section 140.4 (damper leakage, etc.), and mandatory section 120.2.i for Fault Detection and Diagnostic controls. Economizers meet ASHRAE 90.1-2016 damper leakage requirements as stated in section 6.5.1.1.4 and Table 6.4.3.4.3, and meet 2016 Fault Detection and Diagnosis requirements in section 6.4.3.12. For outside air, return, and relief air damper leakage requirements economizers meet IECC 2012 section C402.4.5.2 and IECC 2015 sections C403.2.4.3 and C403.3.3.5 and IECC 2015 section C403.2.4.7 for Fault Detection and Diagnostic requirements. NOTE: IECC 2015 section C403.2.4.7.1 requires differential return air sensor, which must be ordered separately. Outside air, return air, and relief air (volume) dampers are AMCA rated.
- Models with RTU Open meet California Energy Commission Title 24-2016 prescriptive section 140.4 (damper leakage, etc.) and mandatory section 120.2.i for Fault Detection and Diagnostic requirements. Economizers meet ASHRAE 90.1-2016 damper leakage requirements as stated in section 6.5.1.1.4 and Table 6.4.3.4.3, and meet 2016 Fault Detection and Diagnosis requirements in section 6.4.3.12. Economizers meet IECC 2012 section C402.4.5.2 and IECC 2015 sections C403.2.4.3 and C403.3.3.5 for outside air, return air, and relief air damper leakage requirements and IECC 2015 section C403.2.4.7 for Fault Detection and Diagnostic requirements. NOTE: IECC 2015 section C403.2.4.7.1 requires differential return air sensor, which must be ordered separately. Outside air, return air, and relief air (volume) dampers are AMCA rated — plus 5 year limited parts warranty. EconoMiSer 2.

FIELD-INSTALLED ACCESSORIES (cont)

NOTE: 582K 07 models use two-speed indoor fan logic, the two-position damper and manual dampers are designed for single-speed motor control. See Application Tip “BY-ROOFTOP-18-01” for further guidance when using this unit.

- Power exhaust — prop fan design
- Two-position motorized outdoor air damper
- Manual outside air damper 25%
- Manual outside air damper 50%
- Roof curb — 14 inch (356 mm) tall
- Roof curb — 24 inch (610 mm) tall
- Thru-the-bottom connections, electrical only
- Thru-the-bottom connections, electrical and gas
- Condenser hail guard, louvered style
- Flue shield
- Flue discharge deflector
- Liquid propane (LP) conversion kit
- High altitude conversion kit
- Phase monitor (loss of phase/phase reversal)
- Winter start kit, down to 25°F (-4°C)
- Fan/Filter status switch
- Low ambient head pressure controller, down to -20°F (-29°C)

- Time Guard II compressor anti-cycle protection
- Thermostats and sensors
NOTE: Size 07 model has two-stage cooling thermostat; use appropriate thermostat.
- Condensate overflow switch
- Non-powered 115-volt (20 amp) convenience outlet
- Side access hinged filter door kit
- Horn/Strobe annunciator

Economizer Sensors

- Single dry bulb control
- Differential dry bulb control
- Single enthalpy control
- Differential enthalpy control
- CO₂ — wall mounted
- CO₂ — duct mounted
- CO₂ — unit mounted

CERTIFIED DIMENSION PRINT

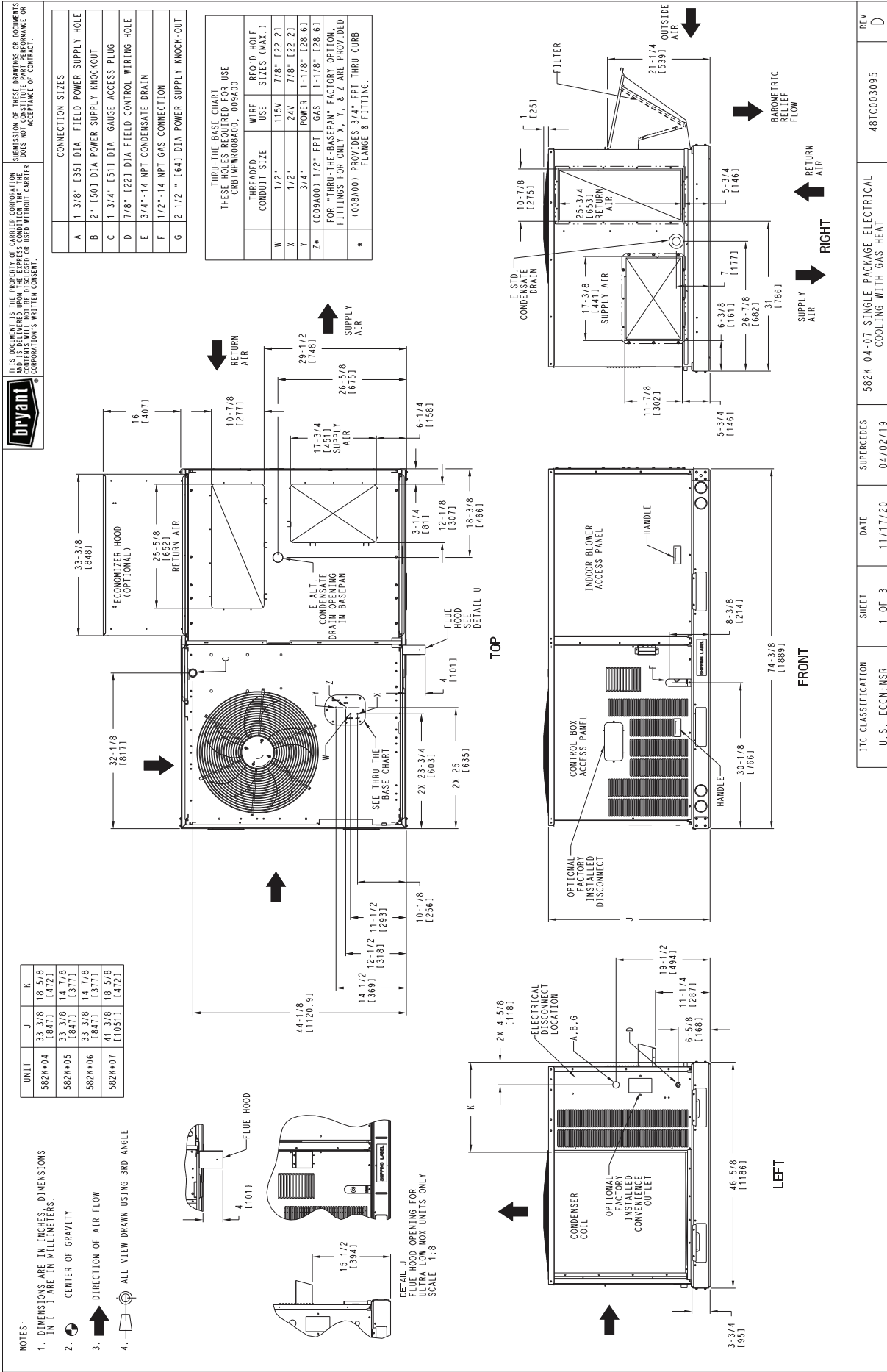


Fig. 1 — 582K04-07 Dimensional Drawing**

TIC CLASSIFICATION U.S. ECCN: NSR	SHEET 1 OF 3	DATE 11/17/20	SUPERCEDES 04/02/19	582K 04-07 SINGLE PACKAGE ELECTRICAL COOLING WITH GAS HEAT	REV D
--------------------------------------	-----------------	------------------	------------------------	---	----------

CERTIFIED DIMENSION PRINT

bryant
 THIS DOCUMENT IS THE PROPERTY OF BRYANT CORPORATION AND IS DELIVERED UPON THE EXPRESS CONDITION THAT THE USER WILL NOT REPRODUCE, COPIY, MIRROR, OR TRANSMIT IN ANY MANNER WITHOUT BRYANT CORPORATION'S WRITTEN CONSENT.
 SUBMISSION OF THESE DRAWINGS OR DIMENSIONS DOES NOT CONSTITUTE PART PERFORMANCE OR ACCEPTANCE OF CONTRACT.

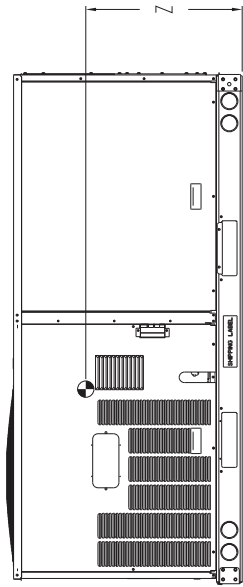
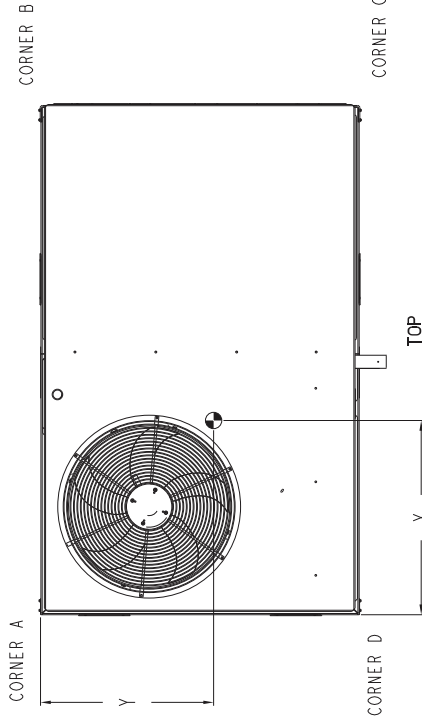
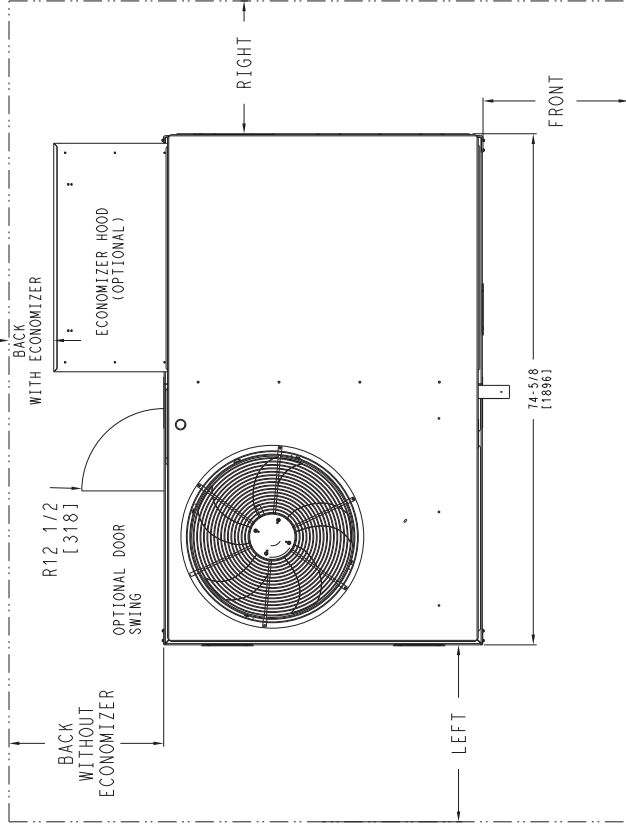
UNIT	STD. UNIT WEIGHT *		CORNER WEIGHT (A)		CORNER WEIGHT (B)		CORNER WEIGHT (C)		CORNER WEIGHT (D)		C. G.			HEIGHT		
	LBS.	KG.	LBS.	KG.	LBS.	KG.	LBS.	KG.	LBS.	KG.	X	Y	Z			
582K*04	482	219	113	51	116	53	128	58	125	57	37	5/8 [956]	24	9/16 [624]	18	1/8 [464]
582K*05	543	246	138	63	133	60	138	63	36	1/2 [927]	23	3/8 [594]	18	[457]		
582K*06	556	252	142	64	136	62	142	64	36	1/2 [927]	23	3/8 [594]	18	[457]		
582K*07	607	275	162	73	152	69	141	64	151	68	36	[914]	22	1/2 [512]	19	3/8 [492]

* STANDARD UNIT WEIGHT IS WITH LOW GAS HEAT AND WITHOUT PACKAGING. FOR OTHER OPTIONS AND ACCESSORIES, REFER TO THE PRODUCT DATA CATALOG.

THIS TABLE IS FOR "ULTRA LOW NOX" UNITS ONLY

UNIT	STD. UNIT WEIGHT **		CORNER WEIGHT (A)		CORNER WEIGHT (B)		CORNER WEIGHT (C)		CORNER WEIGHT (D)		C. G.			HEIGHT		
	LBS.	KG.	LBS.	KG.	LBS.	KG.	LBS.	KG.	LBS.	KG.	X	Y	Z			
582K*04	512	233	120	55	122	55	136	62	134	61	37	1/2 [953]	24	11/16 [627]	18	1/8 [460]
582K*05	573	260	146	66	139	63	141	64	147	67	36	3/8 [924]	23	1/2 [597]	18	[457]
582K*06	586	266	149	68	143	65	144	65	151	69	36	3/8 [924]	23	1/2 [597]	18	[457]

** STANDARD UNIT WEIGHT IS WITHOUT PACKAGING. FOR OTHER OPTIONS AND ACCESSORIES, REFER TO THE PRODUCT DATA CATALOG.



NOTES:
 1. FOR ALL MINIMUM CLEARANCES LOCAL CODES OR JURISDICTIONS MAY PREVAIL.

SURFACE	SERVICE WITH CONDUCTIVE BARRIER		SERVICE WITH NONCONDUCTIVE BARRIER		OPERATING CLEARANCE	
	CONDUCTIVE BARRIER	NONCONDUCTIVE BARRIER	CONDUCTIVE BARRIER	NONCONDUCTIVE BARRIER	CONDUCTIVE BARRIER	NONCONDUCTIVE BARRIER
FRONT	48 [1219mm]	42 [1067mm]	36 [914mm]	36 [914mm]	18 [457mm]	18 [457mm]
LEFT	48 [1219mm]	42 [1067mm]	36 [914mm]	36 [914mm]	18 [457mm]	18 [457mm]
BACK W/O HOOD	48 [1219mm]	42 [1067mm]	36 [914mm]	36 [914mm]	18 [457mm]	18 [457mm]
BACK W/HOOD	36 [914mm]	36 [914mm]	36 [914mm]	36 [914mm]	18 [457mm]	18 [457mm]
RIGHT	36 [914mm]	36 [914mm]	36 [914mm]	36 [914mm]	18 [457mm]	18 [457mm]
TOP	72 [1829mm]	72 [1829mm]	72 [1829mm]	72 [1829mm]	72 [1829mm]	72 [1829mm]

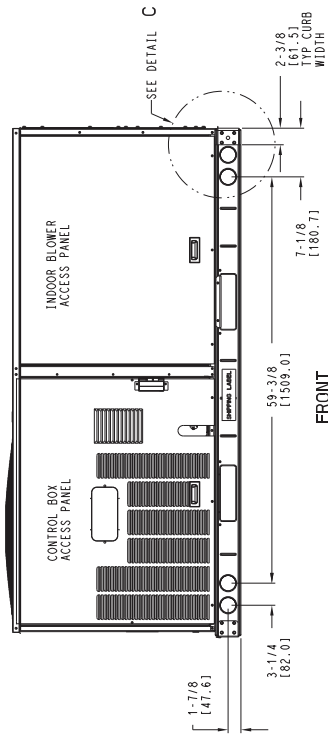
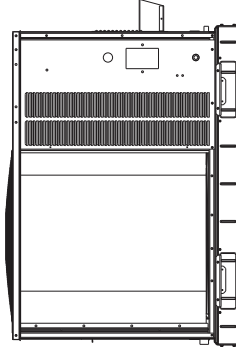
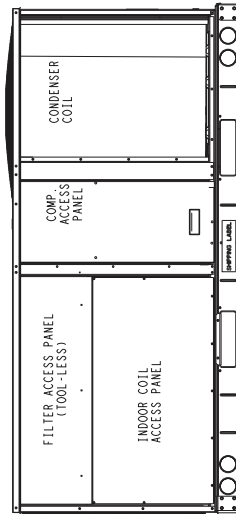
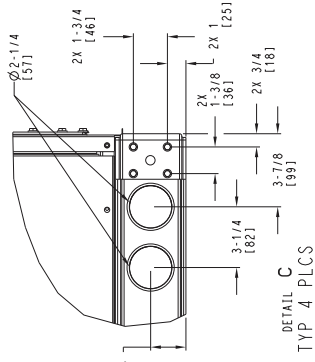
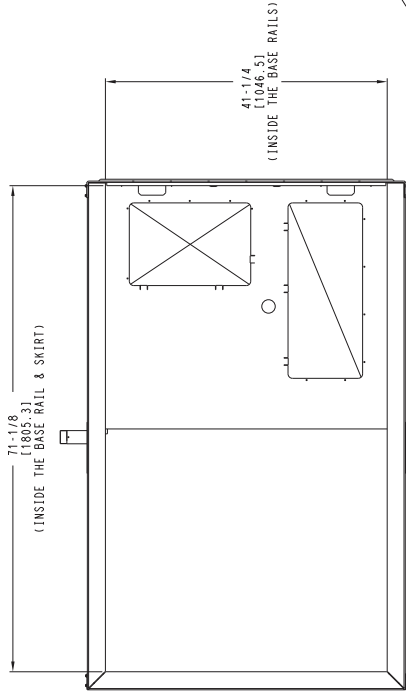
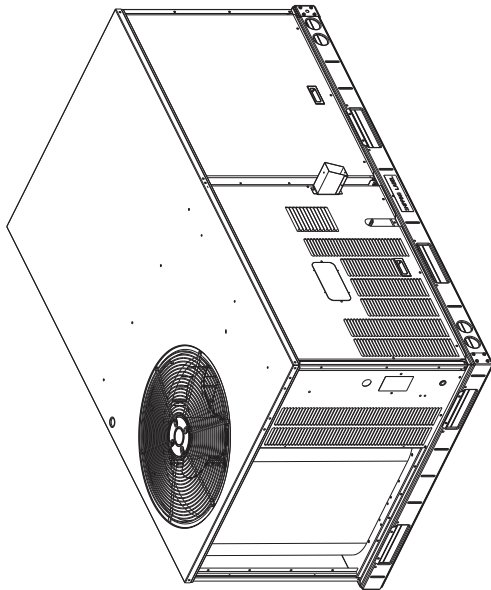
I/T CLASSIFICATION	SHEET	DATE	REV
U.S. - ECCN: NSR	2 OF 3	11/17/20	D
SUPERCEDES	582K 04-07 SINGLE PACKAGE ELECTRICAL COOLING WITH GAS HEAT		48TC003095

Fig. 1 — 582K**04-07 Dimensional Drawing (cont)

CERTIFIED DIMENSIONS PRINT



THIS DOCUMENT IS THE PROPERTY OF CARRIER CORPORATION AND IS DELIVERED UPON THE EXPRESS CONDITION THAT THE USER DOES NOT CONSTITUTE PART PERFORMANCE OR ACCEPTANCE OF CONTRACT.



ITC CLASSIFICATION U.S. ECCN: NSR	SHEET 3 OF 3	DATE 11/17/20	SUPERCEDES 04/02/19	582K 04-07 SINGLE PACKAGE ELECTRICAL COOLING WITH GAS HEAT	481C003095	REV D
--------------------------------------	-----------------	------------------	------------------------	--	------------	----------

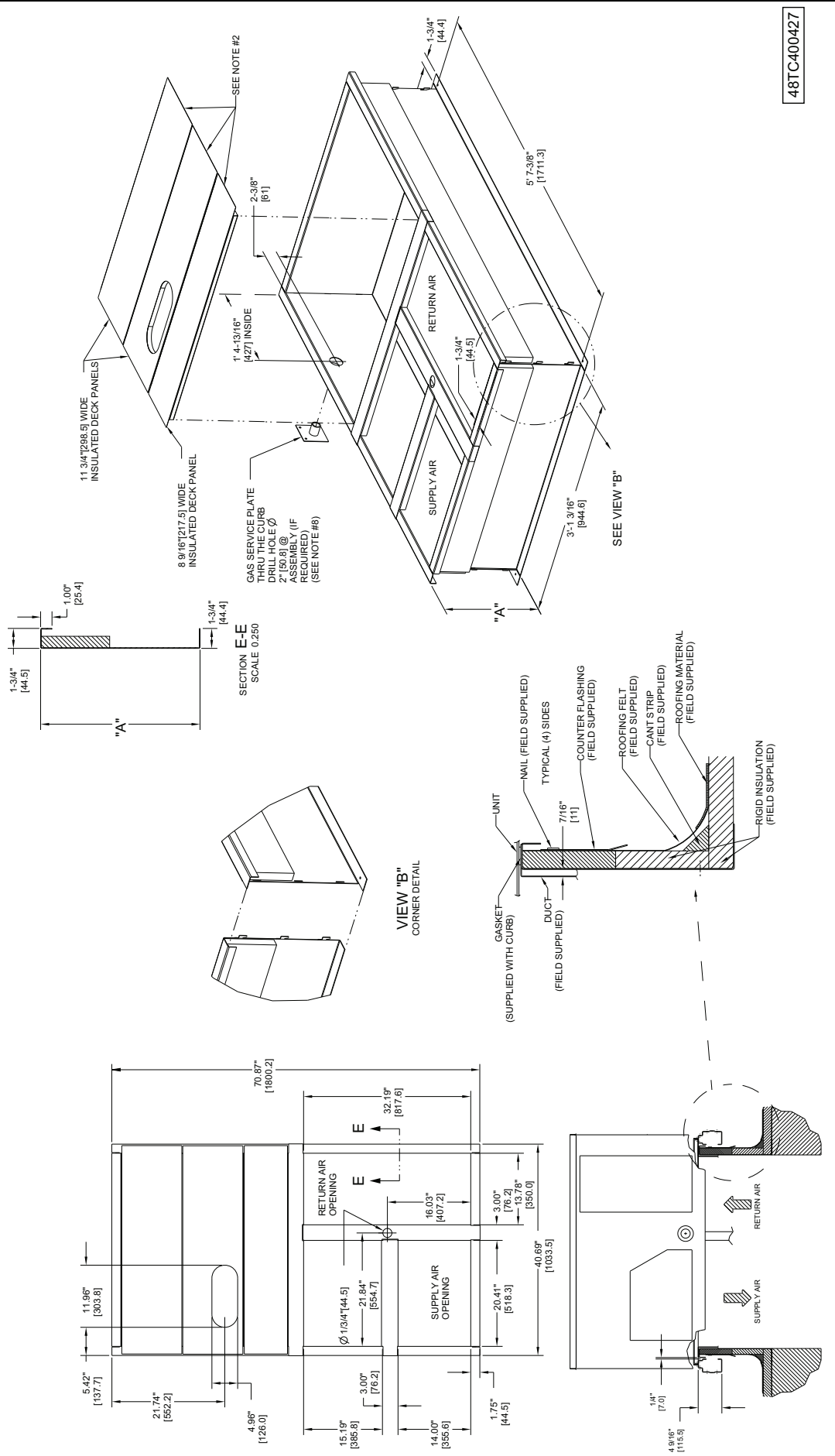
Fig. 1 — 582K**04-07 Dimensional Drawing (cont)

ROOF CURB DETAILS

- NOTES:
1. ROOFCURB ACCESSORY IS SHIPPED DISASSEMBLED.
 2. INSULATED PANELS: 25.4 [1"] THK. POLYURETHANE FOAM, 44.5 [1.34] # DENSITY.
 3. DIMENSIONS IN [] ARE IN MILLIMETERS.
 4. ROOFCURB: 18 GASKETS PER CURB, (FLANGES OF DUCT REST ON CURB).
 5. ROOFCURB: 18 GASKETS PER CURB, (FLANGES OF DUCT REST ON CURB).
 6. SERVICE CLEARANCE 4 FEET ON EACH SIDE.
 7. DIRECTION OF AIR FLOW.
 8. CONNECTOR PACKAGE CRBTMPWR001A01 IS FOR THRU-THE-CURB GAS TYPE PACKAGE CRBTMPWR003A01 IS FOR THRU-THE-BOTTOM TYPE GAS CONNECTIONS.

ROOF CURB ACCESSORY #	A
CRRFCURB001A01	14" [356]
CRRFCURB002A01	24" [610]

CONNECTOR PKG. ACC.	GAS CONNECTION TYPE	GAS FITTING	POWER WIRING FITTING	CONTROL WIRING FITTING	ACCESSORY CONVENIENCE OUTLET WIRING CONNECTOR
CRBTMPWR001A01	THRU THE CURB	3/4" [19] NPT	3/4" [19] NPT	1/2" [12.7] NPT	1/2" [12.7] NPT
CRBTMPWR003A01	THRU THE BOTTOM	1/2" [12.7] NPT			



48TC400427

Fig. 2 — 582K**04-07 Roof Curb Accessory Details

