

**Split Systems Heat Pump and
Air Conditioning Condensing Units
Accessory Hail Guard
6-12.5 Ton Cooling, 6-10 Ton Heat Pump**

Installation Instructions

P/N: CALVHLGD005A00 — CALVHLGD006A00
CALVHLGD010A00 — CALVHLGD012A00

IMPORTANT: Read these instructions completely before attempting to install the accessory hail guard.


could result in personal injury or death. CAUTION is used to identify unsafe practices which may result in minor personal injury or product and property damage. NOTE is used to highlight suggestions which will result in enhanced installation, reliability, or operation.

SAFETY CONSIDERATIONS

Installation and servicing of air-conditioning equipment can be hazardous due to system pressure and electrical components. Only trained and qualified service personnel should install, repair, or service air-conditioning equipment.

Untrained personnel can perform the basic maintenance functions. All other operations should be performed by trained service personnel. When working on air-conditioning equipment, observe precautions in the literature, tags and labels attached to the unit, and other safety precautions that may apply.

Follow all safety codes. Wear safety glasses and work gloves.

Recognize safety information. This is the safety-alert symbol . When you see this symbol on the unit and in instructions or manuals, be alert to the potential for personal injury.

Understand the signal words DANGER, WARNING, and CAUTION. These words are used with the safety-alert symbol. DANGER identifies the most serious hazards which will result in severe personal injury or death. WARNING signifies a hazard which

WARNING

ELECTRICAL SHOCK HAZARD

Failure to follow this warning could cause personal injury or death.

Before beginning any modification on unit, always turn off main power switch to unit and install lockout tag. Unit may have more than one power switch.

CAUTION

CUT HAZARD

Failure to follow this caution may result in personal injury. Sheet metal parts may have sharp edges or burrs. Use care and wear appropriate protective clothing, safety glasses and gloves when handling parts and servicing units.

PACKAGE USAGE

See Tables 1-2 for package usage, as well as package contents and panel use location.

Table 1 — Package Usage

CARRIER MODEL USAGE			
Model No.	Coil Type	Ref Tons	Hail Guard Pkg Part No.
Cooling			
38AUZ*07	RTPF	6.0	CALVHLGD005A00
38AUZ(A/B)08	RTPF	7.5	CALVHLGD005A00
38AUZ(D/E)08	RTPF	7.5	CALVHLGD006A00
38AUD(A/B)*12 38AUZ*12	RTPF	10.0	CALVHLGD011A00
38AUD(T/U)12	RTPF	10.0	CALVHLGD012A00
38AUD*14 38AUZ*14	RTPF	12.5	CALVHLGD012A00
Heat Pump			
38AUQ*07	RTPF	6.0	CALVHLGD005A00
38AUQ(A/B)08	RTPF	7.5	CALVHLGD006A00
38AUQ(D/E)08	RTPF	7.5	CALVHLGD010A00
38AUQ*12	RTPF	10.0	CALVHLGD010A00
BRYANT MODEL USAGE			
Model No.	Coil Type	Ref Tons	Hail Guard Pkg Part No.
Cooling			
569J*07A/B	RTPF	6.0	CALVHLGD005A00
569J*08A/B	RTPF	7.5	CALVHLGD005A00
569J*08G/H	RTPF	7.5	CALVHLGD006A00
569J*12A/B 569J*12D/E/F	RTPF	10.0	CALVHLGD011A00
569J*12T/U	RTPF	10.0	CALVHLGD012A00
569J*14A/B 569J*14D/E	RTPF	12.5	CALVHLGD012A00
Heat Pump			
575J*07A/B	RTPF	6.0	CALVHLGD005A00
575J*08A/B	RTPF	7.5	CALVHLGD006A00
575J*08G/H	RTPF	7.5	CALVHLGD010A00
575J*12A/B	RTPF	10.0	CALVHLGD010A00
ICP MODEL USAGE			
Model No.	Coil Type	Ref Tons	Hail Guard Pkg Part No.
Cooling			
CAS072	RTPF	6.0	CALVHLGD005A00
CAS091*A/B	RTPF	7.5	CALVHLGD005A00
CAS091*G/H	RTPF	7.5	CALVHLGD006A00
CAS120/121	RTPF	10.0	CALVHLGD011A00
CAS123/153	RTPF	10.0-12.5	CALVHLGD012A00
CAS150/151	RTPF	12.5	CALVHLGD012A00
Heat Pump			
CHS072	RTPF	6.0	CALVHLGD005A00
CHS091*A/B	RTPF	7.5	CALVHLGD006A00
CHS091*G/H	RTPF	7.5	CALVHLGD010A00
CHS121	RTPF	10.0	CALVHLGD010A00

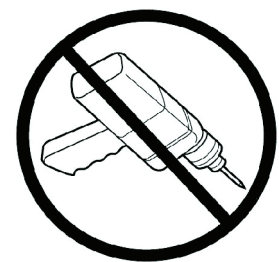
Table 2 — Package Contents and Panel Use Location

HAIL GUARD PKG PART NO.	PACKAGE CONTENTS	PANEL USE LOCATION
CALVHLGD005A00	(2) Hail Guards:	—
	(1) — 37.4 x 41.6	Back
	(1) — 37.4 x 30.6	Left Side
	(6) No. 10 x 1/2 Screws	—
CALVHLGD006A00	(4) Grommets	—
	(3) Hail Guards:	—
	(1) — 37.4 x 42.4	Back
	(1) — 37.4 x 30.6	Left Side
CALVHLGD010A00	(1) — 37.4 x 26.5	Right Side
	(8) No. 10 x 1/2 Screws	—
	(8) Grommets	—
	(3) Hail Guards:	—
CALVHLGD011A00	(1) — 45.4 x 42.4	Back
	(1) — 45.4 x 30.6	Left Side
	(1) — 45.4 x 26.5	Right Side
	(8) No. 10 x 1/2 Screws	—
CALVHLGD012A00	(8) Grommets	—
	(2) Hail Guards:	—
	(1) 45.3 x 41.6	Back
	(1) 45.3 x 42.6	Left Side
CALVHLGD011A00	16 No. 10 Screws	—
	4 Grommets	—
	(3) Hail Guards:	—
	(1) 45.3 x 42.6	Back
CALVHLGD012A00	(1) 45.3 x 41.5	Left Side
	(1) 45.3 x 26.4	Right Side
	24 No. 10 Screws	—
	8 Grommets	—

GENERAL

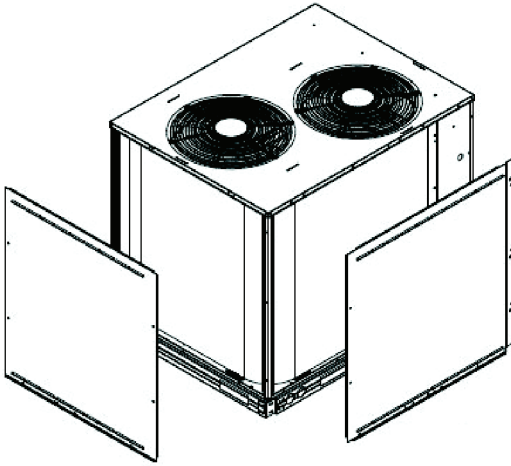
Louvered hail guard packages are designed to protect the unit condenser coil from hail and general contact damage. Excessive damage to unit outdoor coils can result in diminished performance due to reduced air flow over the heat transfer surfaces.

IMPORTANT: Never drill or use screws through the top cover to secure hail guards. Coil damage could occur.

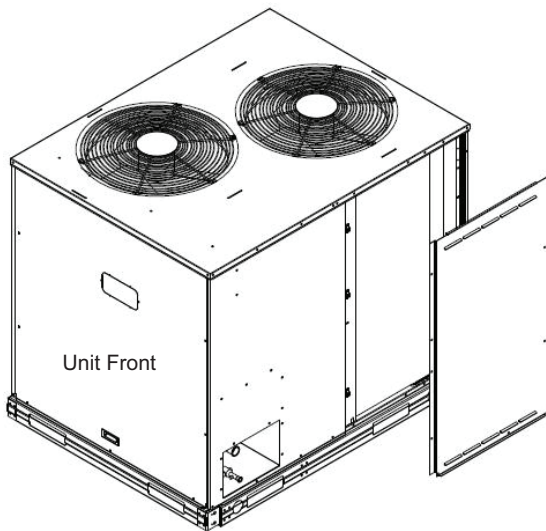


INSTALLATION

1. Verify the correct hail guard sizes are provided for the desired unit size. See Package Usage section above.
2. Hold each hail guard panel in place (see Fig. 1 and 2) and remove the screws at the base of the outdoor coil and the vertical side of the coil that line up with each of the hail guard panel holes to be installed. Save the screws.



**Fig. 1 — Typical 2-Panel Hail Guard Installation
(Uses 4 Grommets at 1 Corner Post)**



**Fig. 2 — Typical Third Panel Hail Guard Installation
(Uses 8 Grommets, 4 on Each of 2 Corner Posts)**

3. Insert plastic grommets in the square holes of each corner post as shown in Fig. 3.

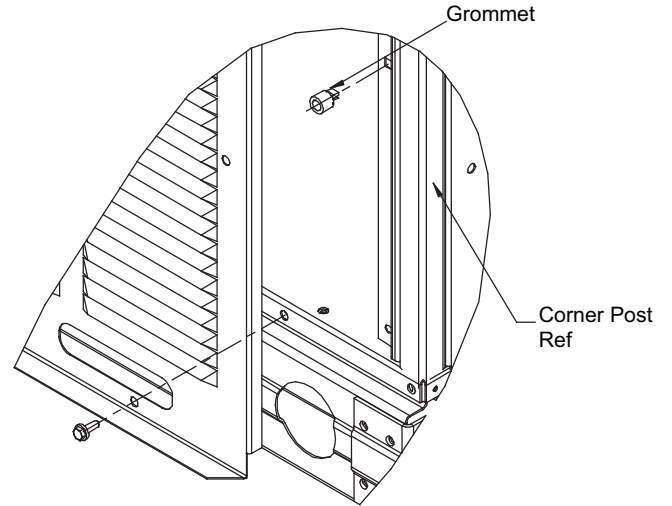
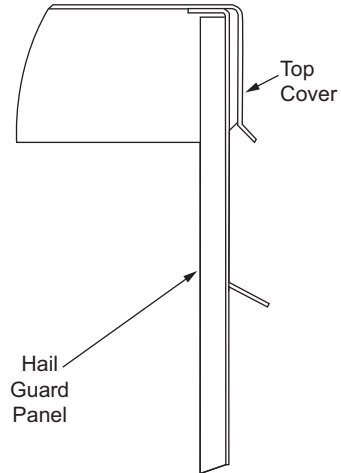


Fig. 3 — Grommets in Corner Post

4. Align the hail guard panel with the respective section of the outdoor coil and insert the top edge of the hail guard panel under the lip of the top cover. (See Fig. 1, 2, and 4.)
5. Reinstall screws removed from Step 2. Using screws provided with kit, fasten panel at corner post ends through panel and into the installed grommets.

IMPORTANT: Never drill or use screws through the top cover to secure hail guards. Coil damage could occur.



**Fig. 4 — Hail Guard Panel into Top Cover
(Use No Screws)**

