

## Installation Instructions

Part Numbers: CALVHLGD008A00, CALVHLGD009A00

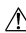
**IMPORTANT:** Read these instructions completely before attempting to install the accessory hail guard.

### SAFETY CONSIDERATIONS

Installation and servicing of air-conditioning equipment can be hazardous due to system pressure and electrical components. Only trained and qualified service personnel should install, repair, or service air-conditioning equipment.

Untrained personnel can perform basic maintenance functions of cleaning coils and filters and replacing filters. All other operations should be performed by trained service personnel. When working on air-conditioning equipment, observe precautions in the literature, tags and labels attached to the unit, and other safety precautions that may apply.

Follow all safety codes, including ANSI (American National Standards Institute) Z223.1. Wear safety glasses and work gloves. Use quenching cloth for unbrazing operations. Have fire extinguisher available for all brazing operations.

It is important to recognize safety information. This is the safety-alert symbol . When you see this symbol on the unit and in instructions or manuals, be alert to the potential for personal injury.

Understand the signal words DANGER, WARNING, CAUTION, and NOTE. These words are used with the safety-alert symbol. DANGER identifies the most serious hazards which **will** result in severe personal injury or death. WARNING signifies hazards which **could** result in personal injury or death. CAUTION is used to identify unsafe practices, which **may** result in minor personal injury or product and property damage. NOTE is used to highlight suggestions which **will** result in enhanced installation, reliability, or operation.

 **WARNING**

**ELECTRICAL SHOCK HAZARD**

Failure to follow this warning could cause personal injury or death.

Before beginning any modification on unit, always turn off main power switch to unit and install lockout tag. Unit may have more than one power switch.

 **CAUTION**

**CUT HAZARD**

Failure to follow this caution may result in personal injury. Sheet metal parts may have sharp edges or burrs. Use care and wear appropriate protective clothing, safety glasses and gloves when handling parts and servicing units.

See Tables 1-2 for package usage, as well as package contents and panel use location.

**Table 1 — Package Usage**

CARRIER MODEL USAGE		
Model No.	Capacity (tons)	Hail Guard Pkg Part No.
<b>Cooling Only</b>		
38AUZ*16 38AUD*16	15	CALVHLGD008A00
38AUZ*25 38AUD*25	20	CALVHLGD009A00
38AUD*28	25	CALVHLGD009A00
<b>Heat Pump</b>		
38AUQ*16	15	CALVHLGD008A00
38AUQ*25	20	CALVHLGD009A00
BRYANT MODEL USAGE		
Model No.	Capacity (tons)	Hail Guard Pkg Part No.
<b>Cooling Only</b>		
569J*16	15	CALVHLGD008A00
569J*25	20	CALVHLGD009A00
569J*28	25	CALVHLGD009A00
<b>Heat Pump</b>		
575J*16	15	CALVHLGD008A00
575J*25	20	CALVHLGD009A00
ICP MODEL USAGE		
Model No.	Capacity (tons)	Hail Guard Pkg Part No.
<b>Cooling Only</b>		
CAS 180/181/183	15	CALVHLGD008A00
CAS 240/241/243	20	CALVHLGD009A00
CAS 303	25	CALVHLGD009A00
<b>Heat Pump</b>		
CHS 180	15	CALVHLGD008A00
CHS 240	20	CALVHLGD009A00

**Table 2 — Package Contents and Panel Use Location**

HAIL GUARD PKG PART NO.	PACKAGE CONTENTS	PANEL USE LOCATION
CALVHLGD008A00	(5) Hail Guards:	—
	(1) — 44.9 x 11.9	Left Side
	(1) — 44.9 x 27.5	Front
	(1) — 44.9 x 41.3	Back
	(1) — 44.9 x 41.3	Back
	(1) — 44.9 x 41.3	Right Side
	(12) No. 10 x 1/2 Screws	—
CALVHLGD009A00	(4) Hail Guards:	—
	(1) — 44.9 x 20.6	Front
	(1) — 44.9 x 48.3	Back
	(1) — 44.9 x 62.2	Right Side
	(1) — 44.9 x 34.1	Left Side
	(10) No. 10 x 1/2 Screws	—

**GENERAL**

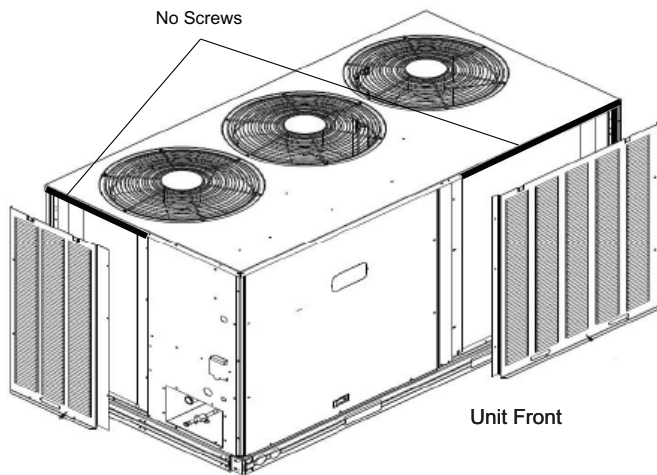
Louvered hail guard packages are designed to protect the unit condenser coil from hail and general contact damage. Excessive damage to unit outdoor coils can result in diminished performance due to reduced air flow over the heat transfer surfaces.

**IMPORTANT:** Never drill or use screws through the top cover to secure hail guards or substitute longer screws. Coil damage could occur. (See Fig. 1-4.)

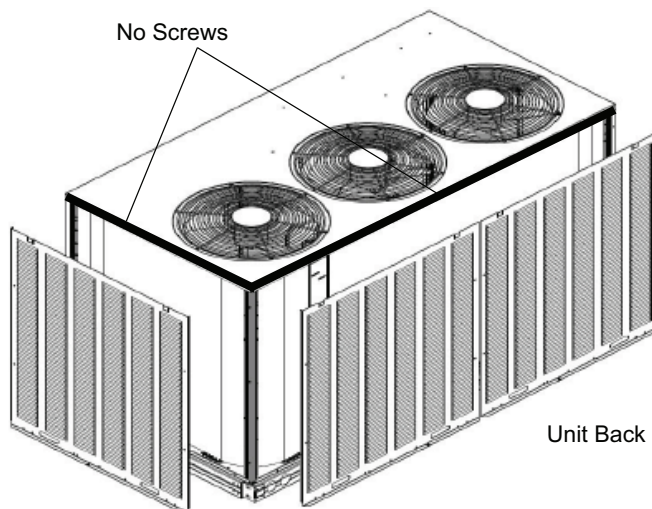


## INSTALLATION

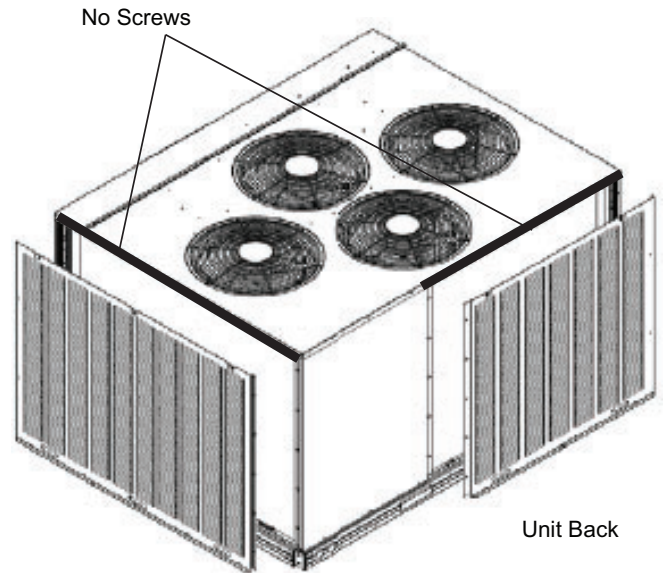
1. Verify the correct hail guard sizes are provided for the desired unit size. See Table 1.
2. Disable unit operation, disconnect power, and apply lock-out tag.
3. Hold each hail guard panel in place and remove the screws at the base of the outdoor coil that line up with each of the hail guard panel holes to be installed. (See Fig. 1-3.) Save the screws.
4. Align the hail guard panel with the respective section of the outdoor coil and engage top notch in each panel to top cover flange as shown in Fig. 4.
5. Install screws that were removed in Step 2 through panel and into basepan.
6. Repeat Steps 3 to 5 for each panel to be installed.
7. Remove lockout tag, restore power, enable unit operation.
8. Inspect hail guards for fit and check for vibration, adjust as needed.



**Fig. 1 — 15/20/25 Ton Hail Guard Installation  
(15 Ton Shown — Front and Side Panels)**

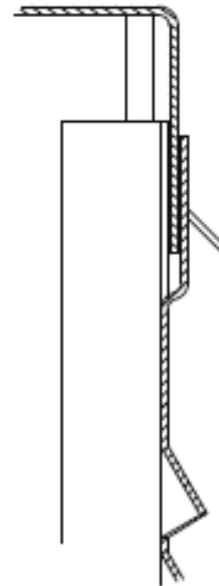


**Fig. 2 — 15 Ton Hail Guard Installation  
(Back and Side Panels)**



**Fig. 3 — 20/25 Ton Hail Guard Installation  
(Back and Side Panels)**

**IMPORTANT:** Never drill or use screws through the top cover to secure hail guards. Coil damage could occur.



**Fig. 4 — Hail Guard into Top Cover (Use No Screws)**

