

Multi-Mode Lights

Overview

Edwards 125XBR Class XTRA-BRITE™ LED beacons are multi-mode signaling devices, available in two versions, steady-on/flashing (125XBRM) and steady-on/lightburst (125XBRZ). Both versions feature a corrosion resistant NEMA Type 4X enclosure and can be panel or conduit mounted. The base is manufactured from a 33% glass filled nylon, providing high resistance to heat and high chemical resistivity. The lens is made of shatter resistant polycarbonate.

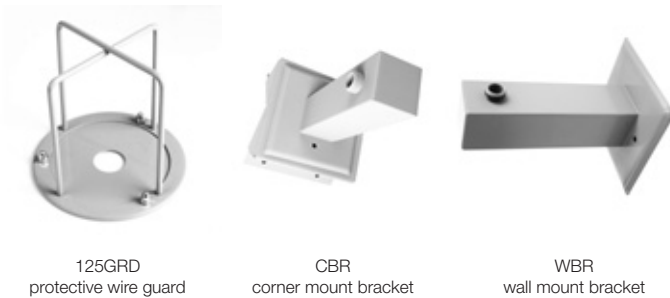
Weights and Dimensions

Cat. No.	Approx. Net Weight (lb.)	Approx. Shipping Weight (lb.)
125XBRM*120A	0.25	0.50
125XBRM*24D	0.25	0.50
125XBRM*120AB	0.25	0.50
125XBRM*24DB	0.25	0.50
125XBRZ*120A	0.25	0.50
125XBRZ*24D	0.25	0.50
125XBRZ*120AB	0.25	0.50
125XBRZ*24DB	0.25	0.50
125GRD	0.25	0.50
CBR	4.00	4.20
WBR	2.30	2.50

*Letter in this position designates LED color: A - amber, B - blue, G - green, R - red or W - clear

Accessories

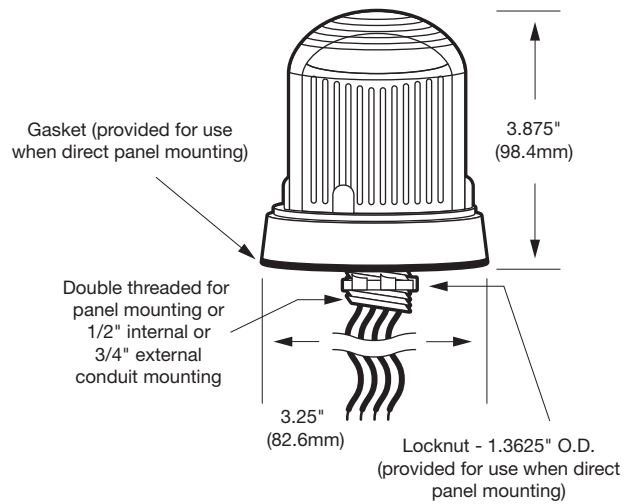
Cat. No.	Description
125GRD	Protective wire guard
CBR	Corner mount bracket
WBR	Wall mount bracket



Standard Features

- **Multi-mode LED**
125XBRM – steady-on/flashing (65 fpm)
125XBRZ – steady-on/lightburst (420 fpm)
- **LED light source**
- **Gray or black glass filled nylon base**
- **Protective wire guard available**
- **Option for panel or conduit mounting**
- **NEMA Type 4X enclosure**
- **Operating temperature range: -31°F to 150°F (-35°C to 66°C)**

Installation and Mounting



CONTINUES... >>>

Multi-Mode Lights

»» CONTINUED...

Ordering Information

Cat. No.	Description	Operating Voltage	Current	LED Colours	Projected LED Life (L70) ²	Replacement Lens
125XBRMA120A	Steady-on/flashing LED - grey base	120VAC	0.108 A	Amber	148,000 hours	125LA
125XBRMB120A		120VAC	0.108 A	Blue	148,000 hours	125LB
125XBRMG120A		120VAC	0.108 A	Green	148,000 hours	125LG
125XBRMR120A		120VAC	0.108 A	Red	148,000 hours	125LR
125XBRMW120A		120VAC	0.108 A	White	148,000 hours	125LC
125XBRMA24D		24Vdc	0.215 A	Amber	148,000 hours	125LA
125XBRMB24D		24Vdc	0.215 A	Blue	148,000 hours	125LB
125XBRMG24D		24Vdc	0.215 A	Green	148,000 hours	125LG
125XBRMR24D		24Vdc	0.215 A	Red	148,000 hours	125LR
125XBRMW24D		24Vdc	0.215 A	White	148,000 hours	125LC
125XBRMA120AB		Steady-on/flashing LED - black base	120VAC	0.108 A	Amber	148,000 hours
125XBRMB120AB	120VAC		0.108 A	Blue	148,000 hours	125LB
125XBRMG120AB	120VAC		0.108 A	Green	148,000 hours	125LG
125XBRMR120AB	120VAC		0.108 A	Red	148,000 hours	125LR
125XBRMW120AB	120VAC		0.108 A	White	148,000 hours	125LC
125XBRMA24DB	24Vdc		0.215 A	Amber	148,000 hours	125LA
125XBRMB24DB	24Vdc		0.215 A	Blue	148,000 hours	125LB
125XBRMG24DB	24Vdc		0.215 A	Green	148,000 hours	125LG
125XBRMR24DB	24Vdc		0.215 A	Red	148,000 hours	125LR
125XBRMW24DB	24Vdc		0.215 A	White	148,000 hours	125LC
125XBRZA120A	Steady-on/lightburst LED - grey base		120VAC	0.108 A	Amber	148,000 hours
125XBRZB120A		120VAC	0.108 A	Blue	148,000 hours	125LB
125XBRZG120A		120VAC	0.108 A	Green	148,000 hours	125LG
125XBRZR120A		120VAC	0.108 A	Red	148,000 hours	125LR
125XBRZW120A		120VAC	0.108 A	White	148,000 hours	125LC
125XBRZA24D		24Vdc	0.215 A	Amber	148,000 hours	125LA
125XBRZB24D		24Vdc	0.215 A	Blue	148,000 hours	125LB
125XBRZG24D		24Vdc	0.215 A	Green	148,000 hours	125LG
125XBRZR24D		24Vdc	0.215 A	Red	148,000 hours	125LR
125XBRZW24D		24Vdc	0.215 A	White	148,000 hours	125LC
125XBRZA120AB		Steady-on/lightburst LED - black base	120VAC	0.108 A	Amber	148,000 hours
125XBRZB120AB	120VAC		0.108 A	Blue	148,000 hours	125LB
125XBRZG120AB	120VAC		0.108 A	Green	148,000 hours	125LG
125XBRZR120AB	120VAC		0.108 A	Red	148,000 hours	125LR
125XBRZW120AB	120VAC		0.108 A	White	148,000 hours	125LC
125XBRZA24DB	24Vdc		0.215 A	Amber	148,000 hours	125LA
125XBRZB24DB	24Vdc		0.215 A	Blue	148,000 hours	125LB
125XBRZG24DB	24Vdc		0.215 A	Green	148,000 hours	125LG
125XBRZR24DB	24Vdc		0.215 A	Red	148,000 hours	125LR
125XBRZW24DB	24Vdc		0.215 A	White	148,000 hours	125LC

¹AC voltage frequency is 50/60 Hz²LED Manufacturer's Median Projected LED Life for LUXEON Rebel LEDs (L70 at 85°C and Tjunction 98°C). Actual LED life will vary inversely with ambient temperature, voltage, driver current, junction temperature and duty-cycle at which the signaling device is operated. Please refer to <http://www.philipslumileds.com/pdfs/WP15.pdf>.