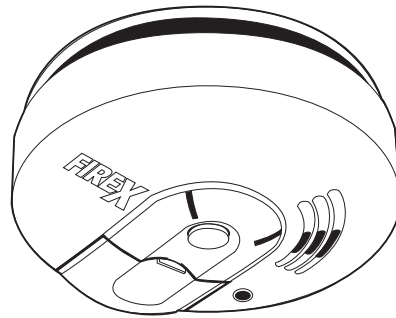


Quick Removal & Installation Guide



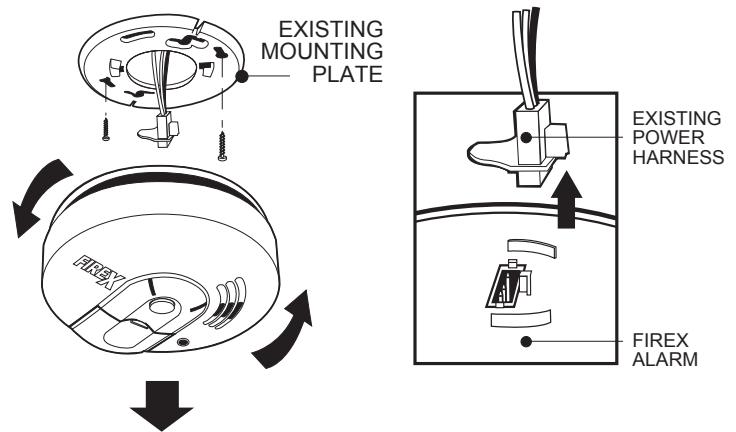
→ **Firex 10000 Carbon Monoxide Alarm (p.2)**

→ **Firex 12000 Carbon Monoxide/Smoke
Combination Alarm (p.3)**

10000 Carbon Monoxide Alarm QUICK REMOVAL and INSTALLATION INSTRUCTIONS

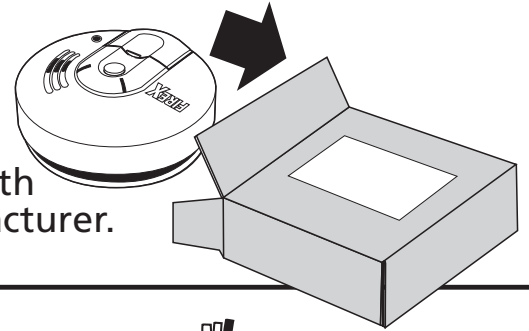
Removal of Existing Alarm

- 1- Remove existing installed Firex alarm unit from the wall/ceiling by turning the existing unit counter-clockwise and disengaging it from the existing mounting plate.
- 2 - Disconnect the power harness from the existing alarm unit. Next, remove the existing mounting plate from the wall/ceiling by loosening the two screws with a screwdriver. **DO NOT DISCONNECT THE WIRING HARNESS FROM THE HOUSE WIRING.**



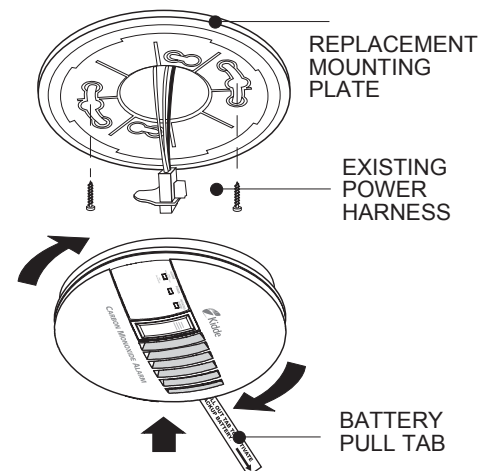
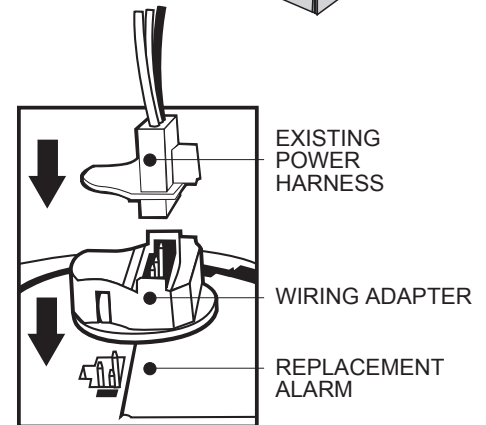
Return of Existing Alarm

- 3 - Place the removed alarm unit and existing mounting plate into the supplied return box (postage has been prepaid) place the sealed box with the US Postal Service for delivery back to the manufacturer.



Replacement Alarm Unit Installation

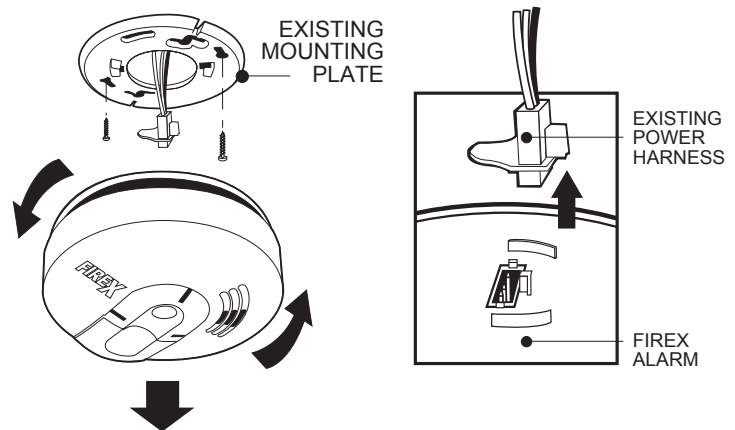
- 4 - Install the replacement mounting plate on the wall/ceiling using the screws from Step 2. Position the power harness so that it hangs through the hole in the installed replacement mounting plate. For complete replacement mounting plate installation instructions, please see installation instructions included with the replacement alarm.
- 5 - Plug the supplied wiring adapter into the back of the replacement alarm. Connect the power harness (hanging from the wall/ceiling) into the wiring adapter.
- 6 - Remove the yellow battery pull tab protruding from the replacement alarm.
- 7 - Install the replacement alarm on the replacement mounting plate by turning clockwise. If installed properly a green light labeled POWER should illuminate on the front cover of the replacement alarm. Push TEST button to confirm operation.
- 8 - Congratulations, you are done. Please direct your questions to our help desk at 800-880-6788.



12000 Carbon Monoxide / Smoke Combination Alarm QUICK REMOVAL and INSTALLATION INSTRUCTIONS

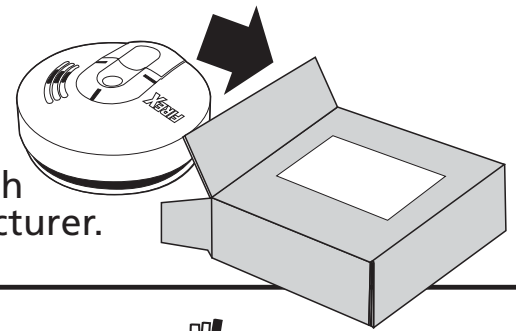
Removal of Existing Alarm

- 1- Remove existing installed Firex alarm unit from the wall/ceiling by turning the existing unit counter-clockwise and disengaging it from the existing mounting plate.
- 2 - Disconnect the power harness from the existing alarm unit. Next, remove the existing mounting plate from the wall/ceiling by loosening the two screws with a screwdriver. **DO NOT DISCONNECT THE WIRING HARNESS FROM THE HOUSE WIRING.**



Return of Existing Alarm

- 3 - Place the removed alarm unit and existing mounting plate into the supplied return box (postage has been prepaid) place the sealed box with the US Postal Service for delivery back to the manufacturer.



Replacement Alarm Unit Installation

- 4 - Install the replacement mounting plate on the wall/ceiling using the screws from Step 2. Position the power harness so that it hangs through the hole in the installed replacement mounting plate. For complete replacement mounting plate installation instructions, please see installation instructions included with the replacement alarm.
- 5 - Plug the supplied wiring adapter into the back of the replacement alarm. Connect the power harness (hanging from the wall/ceiling) into the wiring adapter.
- 6 - Remove the yellow battery pull tab protruding from the replacement alarm.
- 7 - Install the replacement alarm on the replacement mounting plate by turning clockwise. If installed properly a green light labeled OPERATE should illuminate on the front cover of the replacement alarm. Push TEST button to confirm operation.
- 8 - Congratulations, you are done. Please direct your questions to our help desk at 800-880-6788.

