

Horns

Overview

The explosionproof Adaptahorn is a heavy-duty high decibel vibrating horn intended for use where the distinctive Adaptahorn audible signal is required in a hazardous location. It is available for AC or DC operation. Individual models are CSA certified for installation in a wide range of hazardous locations - thus helping to simplify and reduce inventory.

High efficiency with low current drain. Wide operating voltage range (-20% to +15% of nominal voltage). High dB output; 100 dB at 10 ft. Wide range of operating voltages available.

- **CSA Certified for:**
 - Class I-Division 1, Groups B, C, and D;
 - Class II-Division 1, Groups E, F, and G, and
 - Class III-Division 1 locations.

Applications

Whenever a distinctive, urgent yet economical signal is required for timing, scheduling, paging, general alarm and warning in a hazardous location. Typical applications include: mining, granaries, flour mills, tankers, refineries and laboratories.

Ordering Information

A.C. Models

Cat No.	VAC	Amps	VA	DC Coil Res (Ohms)	dB at 10'(3M)
878-120	120	0.125	15	150	100

*50/60 Hz--operating temperature range: 0°C to +40°C (32°F to 104°F)

D.C. Models

Cat. No.	Vdc	Amps	VA	DC Coil Res (Ohms)	dB at 10'(3M)
878-124	24	0.16	3.5	24	100

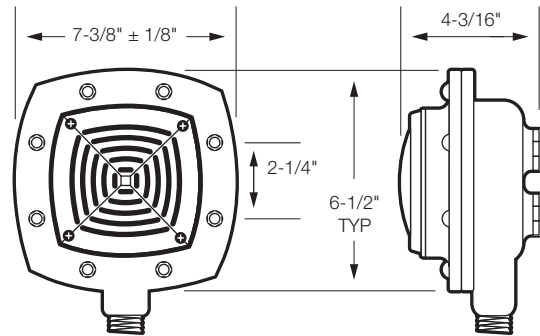
Operating temperature range 0°C to +40°C (32°F to 104°F)

Standard Features

- **Compact low silhouette design**
- **AC or DC operation**
- **Low current drain**
- **High dB output**
- **CSA Certified**

Installation and Mounting

Mounts to any solid surface using two bolts. Each unit is fitted with a sealing fitting for 3/4" conduit and wire leads for connection to local power source.



AdaptaHorn Explosionproof Horn

878 Series

