



ClimaVision

MySense IAQ

Part # 7C-TS-C6K-C2

The Versatile Sensing Station for Building Intelligence

The ClimaVision MySense IAQ is an accessible sensing station and local interface designed to provide informed oversight for various indoor environments. This discreet, intuitive device provides remote control and critical sensor data to ClimaVision controllers, enabling IAQ zone operation across offices spaces, hotel rooms, and retail spaces. Utilizing 2-wire Power over RS-485 (PoR) technology, MySense creates efficiencies by simplifying installation in both retrofit and new construction applications.

Features and Benefits

Enhanced Equipment Control: Serves as a versatile user interface to manage ClimaVision Smart Node profiles and custom Connect Module applications.

Dual-Mode Connectivity: Leverages standard 2-wirePoR and Bluetooth LE, designed to support high-speed communication and seamless integration specifically with ClimaVision wireless sensors(door/window).

Simplified Infrastructure: Utilizes PoR technology to enable high-speed communication over standard 2-wire cabling, creating efficiencies by reducing the need for new wiring in retrofits and supporting the affordable 18/2 thermostat wire in new construction.

Flexible Sensor Expansion: Equipped with three universal inputs to make adding additional room sensors easier by removing the requirement to wire them back to the Smart Node.

Comprehensive Environmental Insight: Combines temperature, humidity, occupancy, and CO₂ to provide the necessary data for high-performance zone operation.

Occupancy-Based Efficiency: Utilizes integrated PIR sensors to support energy efficiency strategies by driving smart control sequences that reduce energy waste when spaces are unoccupied.

Remote Lifecycle Management: Supports over-the-air (OTA) updates to help ensure the system receives the latest firmware improvements without requiring manual site visits.

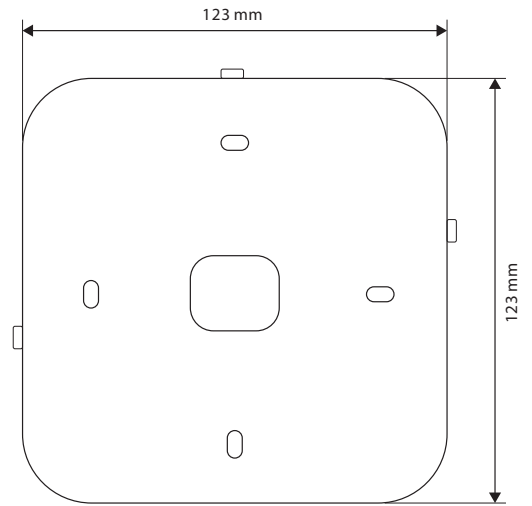
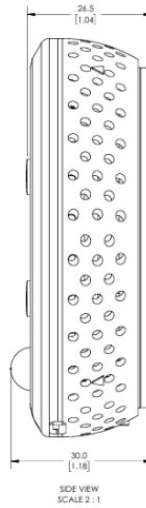
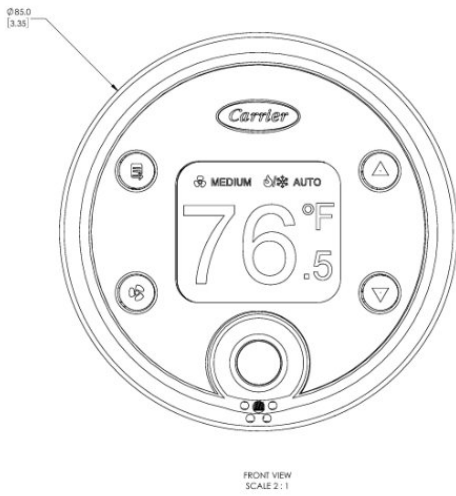
Low-Profile Aesthetics: Blends into any interior with a compact, 1.8" LCD screen designed to maintain architectural integrity while providing local occupant control.

ClimaVision MySense IAQ (7C-TS-C6K-CS)

Specification	
Compatible Applications	Any ClimaVision Smart Node profile or user Interface for low-code custom applications controlled by the ClimaVision Connect Module.
Power Requirements	Power over RS-485
Temperature Sensor	Operating range between 32°F – 122°F (0 – 50°C); typical accuracy of +/- 1 °F or 0.5°C
Humidity Sensor	Sensing range between 0 to 100%RH; Typical accuracy of +/- 2% RH
Occupancy Sensor	Passive Infra Red (PIR) with detection range of 4m with 110 -degree angle
CO2 Sensor	400 - 5000ppm (Extended range up to 10000ppm) •± 50ppm accuracy ± 2.5% m.v. up to 1000ppm. •± 50ppm accuracy ± 3% m.v. up to 1000ppm.
Universal Inputs	(3) Configurable as Thermistor or Analog; supports external dry contact signals
Communications	<ul style="list-style-type: none"> •Wired Communication: Standard Power over RS-485 (PoR) for power and data over 2 wires. •Bluetooth: BLE 5.4 communication with ClimaVision wireless sensors.
Display	1.8" LCD screen.
Mechanical Dimensions	Diameter: 3.35 inches (85 mm); fits standard wall mount.
Trim Plate Dimensions	123mm x 123mm
Mounting	Wall Mount

ClimaVision MySense IAQ (7C-TS-C6K-CS)

Dimensions



Trim Plate

Inputs/Outputs (on base plate)

