



WeatherMaster® 50GE-*17-28
Single Package Rooftop Cooling Only, 2 and 3 Stage Models
with Puron Advance™ (R-454B) Refrigerant
and EcoBlue™ Fan Technology

Installation Instructions

CONTENTS

	Page
SAFETY CONSIDERATIONS	1
GENERAL	2
Rated Indoor Airflow (cfm)	2
INSTALLATION	19
Job-Site Survey	19
Step 1 – Plan for Unit Location	19
• ROOF MOUNT	
Step 2 – Plan for Sequence of Unit Installation ..	19
• CURB-MOUNTED INSTALLATION	
• PAD-MOUNTED INSTALLATION	
• FRAME-MOUNTED INSTALLATION	
Step 3 – Inspect Unit	19
Step 4 – Provide Unit Support	20
• ROOF CURB MOUNT	
• SLAB MOUNT (HORIZONTAL UNITS ONLY)	
• ALTERNATE UNIT SUPPORT (IN LIEU OF CURB MOUNT)	
Step 5 – Field Fabricate Ductwork	24
• FOR UNITS WITH OPTIONAL OR ACCESSORY ELECTRIC HEATERS	
Step 6 – Rig and Place Unit	24
• POSITIONING ON CURB	
Step 7 – Horizontal Duct Connection	25
Step 8 – Install Outside Air Hood (Factory Option)	25
Step 9 – Assemble Barometric Hood	26
• BAROMETRIC HOOD (VERTICAL CONFIGURATION)	
• BAROMETRIC HOOD (HORIZONTAL CONFIGURATION)	
Step 10 – Install External Condensate Trap and Line	27
Step 11 – Make Electrical Connections	28
• FIELD POWER SUPPLY	
• UNITS WITHOUT FACTORY-INSTALLED NON-FUSED DISCONNECT OR HACR	
• UNITS WITH FACTORY-INSTALLED NON-FUSED DISCONNECT OR HACR	
• ALL UNITS	
• CONVENIENCE OUTLETS	
• FACTORY-OPTION THRU-BASE CONNECTIONS (ELECTRICAL CONNECTIONS)	
• ELECTRIC HEATERS	
Humidi-MiZer® Control Connections	34
• HUMIDI-MIZER – SPACE RH CONTROLLER	
Typical Unit Wiring Diagrams	35
Humidi-MiZer Dehumidification System (Optional)	45
• NORMAL COOLING	
• DEHUM/MECH COOLING (SUBCOOLING) MODE	
• DEHUMIDIFICATION (HOT GAS REHEAT) MODE	

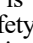
• REHEAT CONTROL	
Leak Dissipation System	47
• SEQUENCE OF OPERATION	
• LEAK DISSIPATION SYSTEM SELF-TEST	
• TROUBLESHOOTING	
EconomizerONE (Factory Option)	50
• ECONOMIZER SETTINGS	
• WIRING	
• SETUP AND CONFIGURATION	
• INSTALLING OPTIONAL HH57LW001 SINGLE OUTSIDE AIR ENTHALPY SENSOR	
• CHECKOUT	
• TROUBLESHOOTING	
.....	70
Adjust Factory-Installed Options	71
Smoke Detectors	71
• ECONOMIZERONE OCCUPANCY SWITCH	
Step 12 – Install Accessories	71
Step 13 – Fan Speed Set Up	71
• UNITS WITH ELECTROMECHANICAL CONTROLS	
• UNITS WITH SYSTEMVU™ CONTROLS	
COMPRESSOR ROTATION	73
PRESSURE RELIEF VALVES	74
FASTENER TORQUE VALUES	74
START-UP CHECKLIST	CL-1

SAFETY CONSIDERATIONS

Installation and servicing of air-conditioning equipment can be hazardous due to system pressure and electrical components. Only trained and qualified service personnel should install, repair, or service air-conditioning equipment.

Untrained personnel can perform basic maintenance functions of cleaning coils and filters and replacing filters. All other operations should be performed by trained service personnel. When working on air-conditioning equipment, observe precautions in the literature, tags and labels attached to the unit, and other safety precautions that may apply.

Follow all safety codes. Wear safety glasses and work gloves. Use quenching cloth for unbrazing operations. Have fire extinguisher available for all brazing operations.

It is important to recognize safety information. This is the safety-alert symbol . When you see this symbol on the unit and in instructions or manuals, be alert to the potential for personal injury.

Understand the signal words DANGER, WARNING, CAUTION, and NOTE. These words are used with the safety-alert symbol. DANGER identifies the most serious hazards which **will** result in severe personal injury or death. WARNING signifies hazards which **could** result in personal injury or death. CAUTION is used to identify unsafe practices, which **may** result in minor personal injury or product and property damage. NOTE is used to highlight suggestions which **will** result in enhanced installation, reliability, or operation.

⚠ DANGER

ELECTRICAL SHOCK HAZARD

Failure to follow this warning will result in personal injury or death.

Before performing service or maintenance operations on unit, turn off main power switch to unit and install lock(s) and lockout tag(s). Ensure electrical service to rooftop unit agrees with voltage and amperage listed on the unit rating plate. Unit may have more than one power switch.

⚠ WARNING

UNIT OPERATION AND SAFETY HAZARD

Failure to follow this warning could cause personal injury, death and/or equipment damage.

R-454B is an A2L refrigerant. All service equipment or components must be A2L refrigerant rated. Do not use non-A2L rated equipment or components on R-454B refrigerant equipment.

⚠ WARNING

PERSONAL INJURY AND ENVIRONMENTAL HAZARD

Failure to follow this warning could cause personal injury or death.

Relieve pressure and recover all refrigerant before system repair or final unit disposal.

Wear safety glasses and gloves when handling refrigerants. Keep torches and other ignition sources away from refrigerants and oils.

⚠ WARNING

Use caution when servicing compressor terminal pins. System or compressor abnormalities can dislodge pins allowing oil and refrigerant to vent under pressure.

⚠ AVERTISSEMENT

Soyez prudent lors de l'entretien des bornes du compresseur. Les anomalies du système ou du compresseur peuvent déloger les bornes, permettant à l'huile et au réfrigérant de s'évacuer sous pression.

⚠ CAUTION

PERSONAL INJURY HAZARD

Failure to follow this caution may result in personal injury.

Sheet metal parts may have sharp edges or burrs. Use care and wear appropriate protective clothing, safety glasses and gloves when handling parts and servicing air conditioning equipment.

GENERAL

These installation instructions cover the 50GE size 17-28 units with cooling only. Units are pre-wired and pre-charged with Puron Advance™ (R-454B) refrigerant at the factory. See Fig. 1 for model number nomenclature. See Fig. 2-16 for unit dimensions. See Fig. 5, 10, and 15 for service clearances.

Rated Indoor Airflow (cfm)

Table 1 lists the rated indoor airflow used for the AHRI efficiency rating for the units covered in this document.

Table 1 — Rated Indoor Airflow (cfm)

MODEL NUMBER	FULL LOAD AIRFLOW (CFM)
50GE-*17	6,000
50GE-*20	6,250
50GE-*24	8,000
50GE-*28	10,000

NOTE: Unit is not designed to have overhead obstruction. Contact Application Engineering for guidance on any application planning overhead obstruction or for vertical clearances.

Position:	1	2	3	4	5	6	7	8	9	10	11	12	13	14	15	16	17	18
Example:	5	0	G	E	-	M	2	0	A	2	A	6	-	0	A	0	A	0

Unit Type
50 — Cooling with Optional Electric Heat

Model Series - WeatherMaster®
GE — Mid Tier Puron Advance™

Electric Heat Size
- = No Heat
A = Low Electric Heat
B = Medium Electric Heat
C = High Electric Heat

Refrigerant System Options
M = Two Stage Cooling/Single Circuit
N = Two Stage Cooling/Single Circuit with Humidi-MiZer® System
P = Two Stage Cooling/Single Circuit with Head Pressure Control
T = Three Stage Cooling/Single Circuit^a
U = Three Stage Cooling/Single Circuit with Humidi-MiZer System^a
R = Three Stage Cooling/Single Circuit with Chicago Code Relief Valve^a
S = Three Stage Cooling/Single Circuit with Humidi-MiZer System and Chicago Code Relief Valve^a
X = Two Stage Cooling/Single Circuit with Chicago Code Relief Valve
Y = Two Stage Cooling/Single Circuit with Humidi-MiZer System and Chicago Code Relief Valve
Z = Two Stage Cooling/Single Circuit with Head Pressure Control and Chicago Code Relief Valve

Tonnage
17 = 15.0 tons
20 = 17.5 tons
24 = 20.0 tons
28 = 25.0 tons

Sensor Options
A = None
B = RA Smoke Detector
C = SA Smoke Detector
D = RA + SA Smoke Detector
J = Condensate Overflow Switch
K = Condensate Overflow Switch + RA Smoke Detectors
L = Condensate Overflow Switch + RA and SA Smoke Detectors
M = Condensate Overflow Switch + SA Smoke Detector

Indoor Fan Options - Vane Axial EcoBlue Fan System
2 = Standard/Medium Static Motor - Vertical Supply
3 = High Static Motor - Vertical Supply
5 = Standard/Medium Static Motor - Vertical Supply and Filter Status Switch
6 = High Static Motor - Vertical Supply and Filter Status Switch
J = High Static Motor - Horizontal Supply
L = High Static Motor - Horizontal Supply and Filter Status Switch

RTPF Coil Options – (Outdoor – Indoor – Hail Guard)
A = Al/Cu – Al/Cu
B = Precoat Al/Cu – Al/Cu
C = E-coat Al/Cu – Al/Cu
D = E-coat Al/Cu – E-coat Al/Cu
M = Al/Cu – Al/Cu – Louvered Hail Guard
N = Precoat Al/Cu – Al/Cu – Louvered Hail Guard
P = E-coat Al/Cu – Al/Cu – Louvered Hail Guard
Q = E-coat Al/Cu – E-coat Al/Cu – Louvered Hail Guard
R = Cu/Cu – Al/Cu – Louvered Hail Guard
S = Cu/Cu – Cu/Cu – Louvered Hail Guard

Voltage
1 = 575-3-60
5 = 208/230-3-60
6 = 460-3-60

Packaging Compliance
0 = Standard

Electrical Options
A = None
B = HACR Breaker
C = Non-Fused Disconnect (NFDC)
N = Phase Monitor/Protection (PMR)
P = PMR + HACR
Q = PMR + NFDC
1 = HSCCR^b (High Short Circuit Current Rating) Protection

Service Options
0 = None
1 = Unpowered Convenience Outlet (NPCO)
2 = Powered Convenience Outlet (PCO)
3 = Hinged Panels (HP)
4 = Hinged Panels + NPCO
5 = Hinged Access Panels + PCO
6 = MERV-13 Filters (M13)
7 = NPCO + MERV-13 Filters
8 = PCO + MERV-13 Filters
9 = Hinged Panels + MERV-13 Filters
A = HP + NPCO + MERV-13 Filters
B = HP + PCO + MERV-13 Filters
C = Foil Faced Insulation (FF)
D = Foil Faced Insulation + NPCO
E = Foil Faced Insulation + PCO
F = Foil Faced Insulation + Hinged Panels
G = FF + HP + NPCO
H = FF + HP + PCO
J = Foil Faced Insulation + MERV-13 Filters
K = FF + NPCO + MERV-13 Filters
L = FF + PCO + MERV-13 Filters
M = FF + HP + MERV-13 Filters
N = FF + HP + NPCO + MERV-13 Filters
P = FF + HP + PCO + MERV-13 Filters

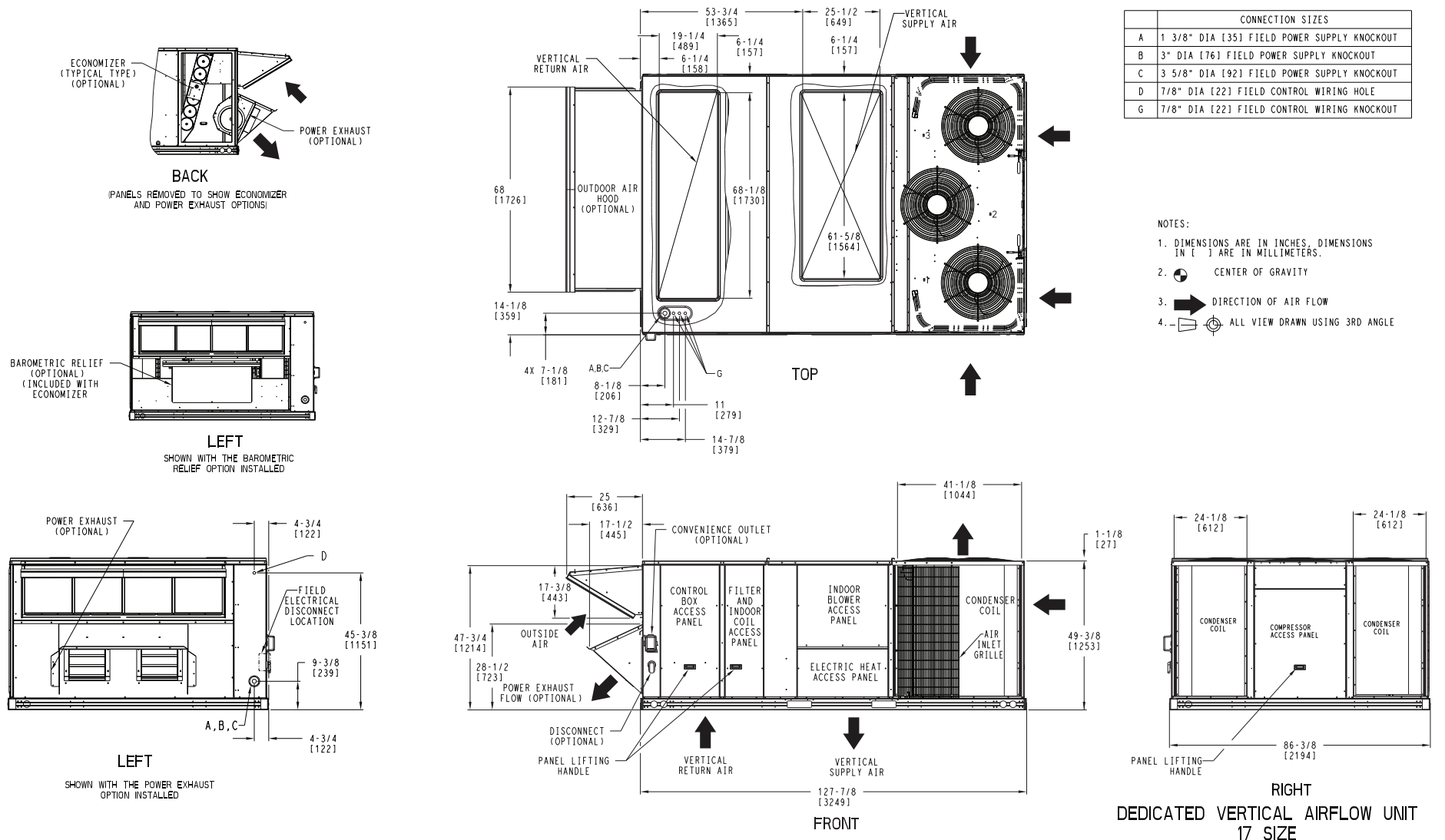
Intake / Exhaust Options
A = None
B = Temperature Economizer with Barometric Relief
F = Enthalpy Economizer with Barometric Relief
L = ULL (Ultra Low Leak) Temperature Economizer with Barometric Relief and CO₂ Sensor
M = ULL Enthalpy Economizer with Barometric Relief and CO₂ Sensor
N = ULL Temperature Economizer with Power Exhaust and CO₂ Sensor, Vertical Only
P = ULL Enthalpy Economizer with Power Exhaust and CO₂ Sensor, Vertical Only
U = ULL Temperature Economizer with Barometric Relief
V = ULL Temperature Economizer with Power Exhaust, Vertical Only
W = ULL Enthalpy Economizer with Barometric Relief
X = ULL Enthalpy Economizer with Power Exhaust, Vertical Only

Unit Controls
0 = Electromechanical Controller (For use with field installed economizers)
3 = SystemVu™ Controls
8 = Electromechanical Controls with POL224 EconomizerONE (includes FDD^c)

Design Revision
- = Factory Design Revision

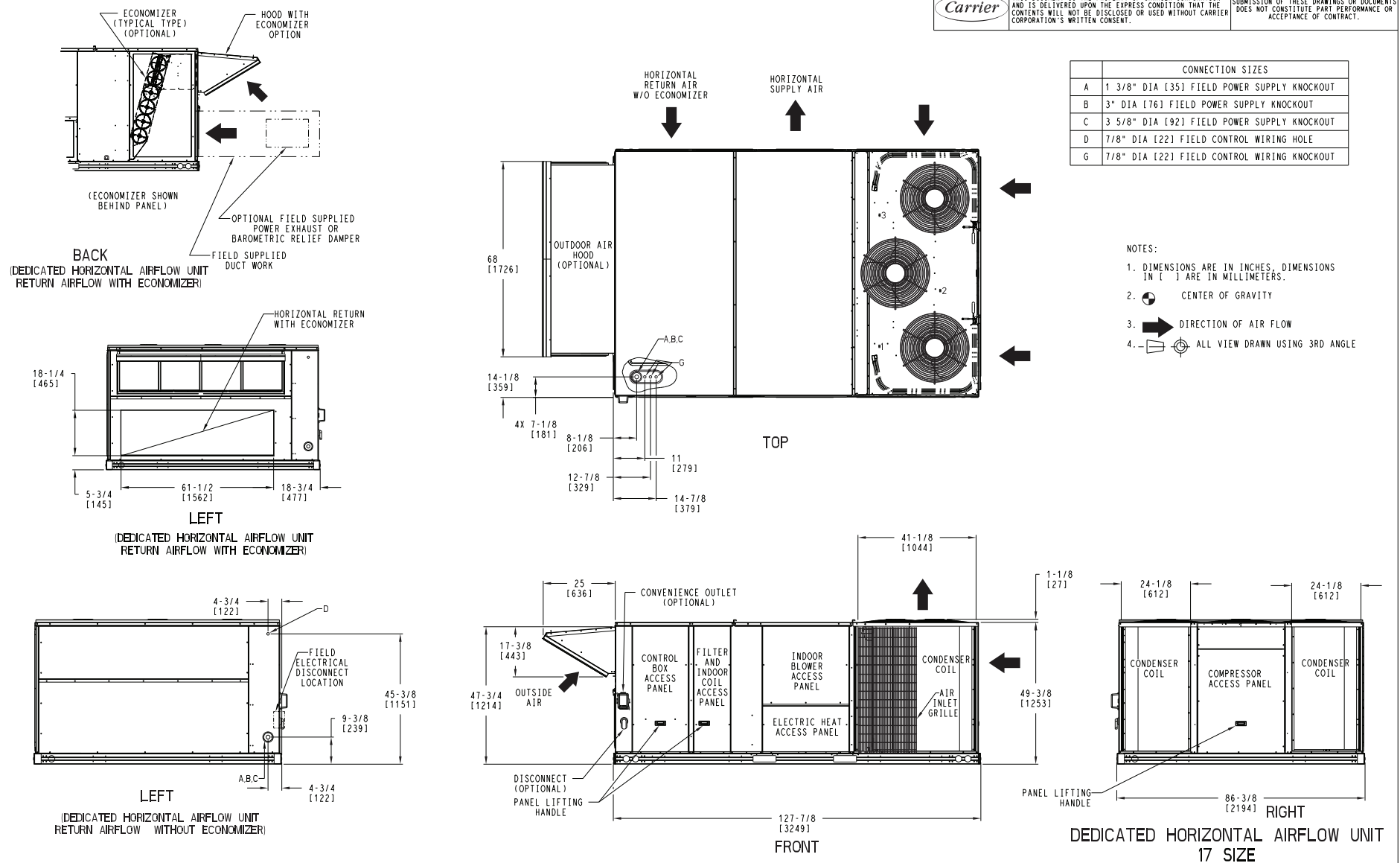
NOTE(S):
a. Requires SystemVu Controller.
b. Not available on the following models/options: 575V, Head Pressure Control, Phase Loss Monitor, Non-Fused Disconnect, HACR Breaker, Powered Convenience Outlet.
c. FDD (Fault Detection and Diagnostic) capability per California Title 24 section 120.2.

Fig. 1 — 50GE-*17-28 Model Number Nomenclature



ITC CLASSIFICATION	SHEET	DATE	SUPERCEDES	50GE 17 SINGLE ZONE ELECTRICAL COOLING WITH ELECTRIC HEAT	50HE008145	REV
U.S. ECCN:NSR	1 OF 5	09/08/25	08/21/24			A

Fig. 2 — 50GE-17 Vertical Airflow

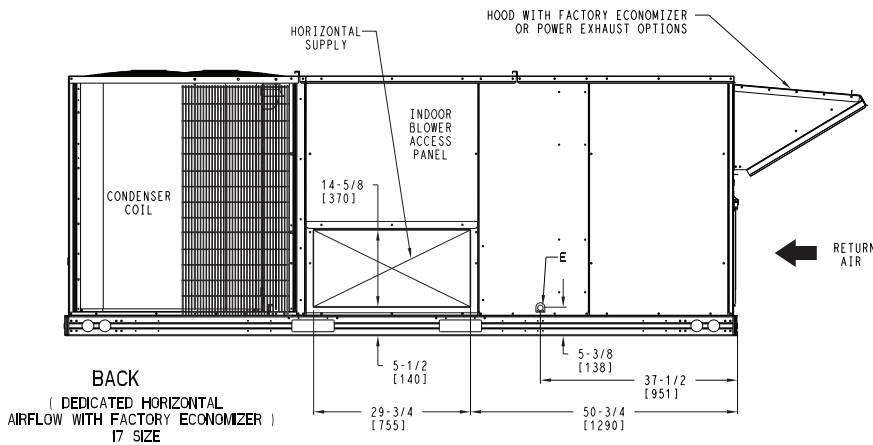
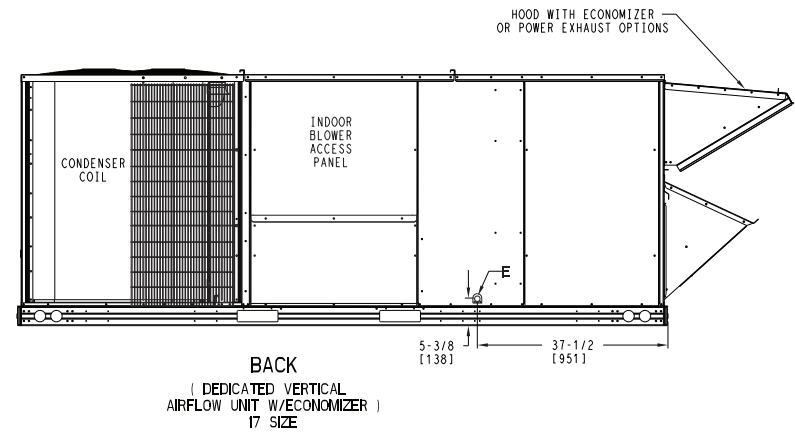
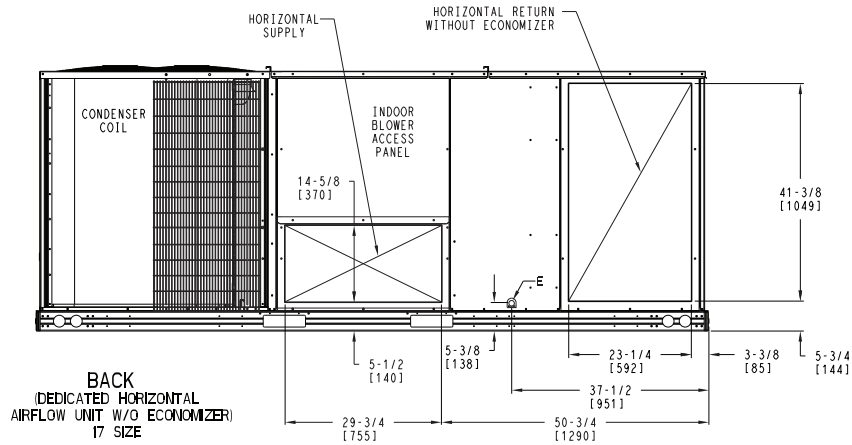


ITC CLASSIFICATION	SHEET	DATE	SUPERCEDES	50GE 17 SINGLE ZONE ELECTRICAL COOLING WITH ELECTRIC HEAT	50HE008145	REV
U.S. ECCN:NSR	2 OF 5	09/08/25	08/21/24			A

Fig. 3 — 50GE-*17 Horizontal Airflow

CONNECTION SIZES	
E	3/4"-14 NPT CONDENSATE DRAIN

Carrier THIS DOCUMENT IS THE PROPERTY OF CARRIER CORPORATION AND IS DELIVERED UPON THE EXPRESS CONDITION THAT THE CONTENTS WILL NOT BE DISCLOSED OR USED WITHOUT CARRIER CORPORATION'S WRITTEN CONSENT. SUBMISSION OF THESE DRAWINGS OR DOCUMENTS DOES NOT CONSTITUTE PART PERFORMANCE OR ACCEPTANCE OF CONTRACT.



ITC CLASSIFICATION	SHEET	DATE	SUPERCEDES	50GE 17 SINGLE ZONE ELECTRICAL COOLING WITH ELECTRIC HEAT	50HE008145	REV
U.S. ECCN:NSR	3 OF 5	09/08/25	08/21/24			A

Fig. 4 — 50GE-*17 Back View and Condensate Drain Location

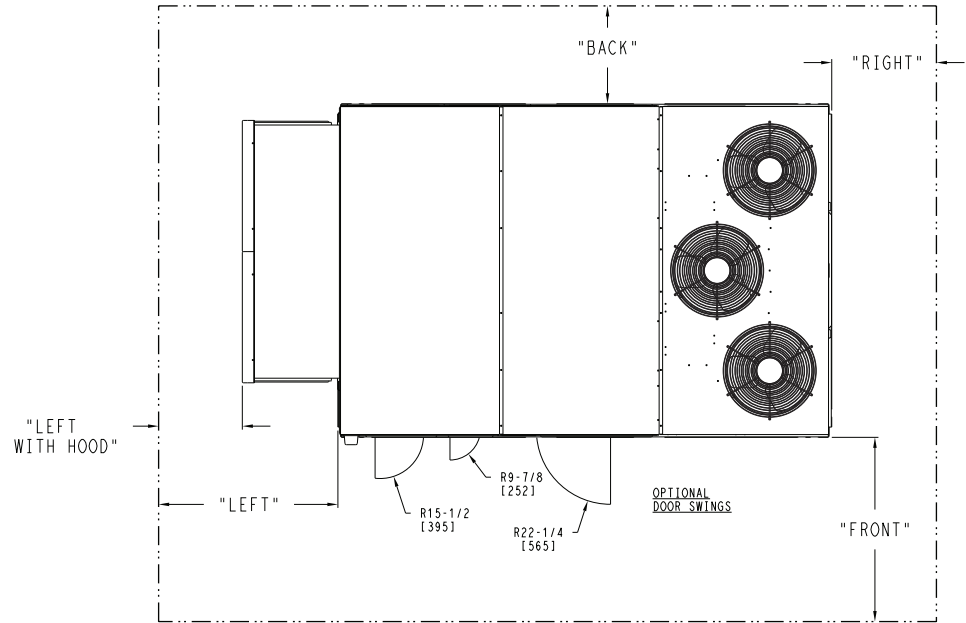
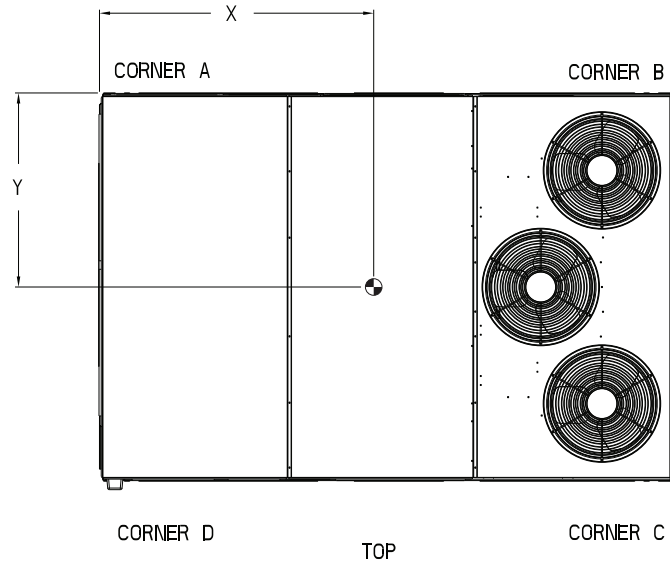
UNIT	STD UNIT WEIGHT *		CORNER WEIGHT (A)		CORNER WEIGHT (B)		CORNER WEIGHT (C)		CORNER WEIGHT (D)		C.G.		
	LBS.	KG.	LBS.	KG.	LBS.	KG.	LBS.	KG.	LBS.	KG.	X	Y	Z
50GE17	1640	744	349	158	436	198	475	215	380	172	71 [1803]	45 [1143]	16 1/2 [419]



THIS DOCUMENT IS THE PROPERTY OF CARRIER CORPORATION AND IS DELIVERED UPON THE EXPRESS CONDITION THAT THE CONTENTS WILL NOT BE DISCLOSED OR USED WITHOUT CARRIER CORPORATION'S WRITTEN CONSENT.

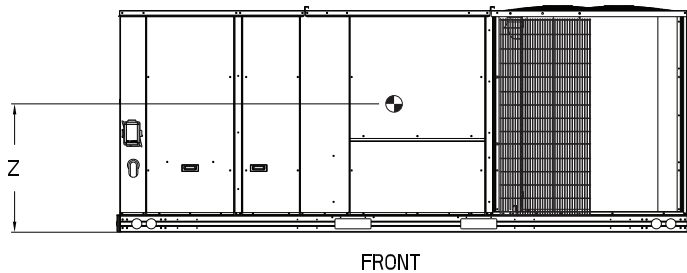
SUBMISSION OF THESE DRAWINGS OR DOCUMENTS DOES NOT CONSTITUTE PART PERFORMANCE OR ACCEPTANCE OF CONTRACT.

* STANDARD UNIT WEIGHT IS WITHOUT ELECTRIC HEAT AND WITHOUT PACKAGING. FOR OTHER OPTIONS AND ACCESSORIES, REFER TO THE PRODUCT DATA CATALOG.



NOTES:

- CLEARANCE ABOVE THE UNIT TO BE 72"
- FOR ALL MINIMUM CLEARANCES LOCAL CODES OR JURISDICTIONS MAY PREVAIL.



SURFACE	SERVICE WITH:		OPERATING CLEARANCE
	CONDUCTIVE BARRIER	NONCONDUCTIVE BARRIER	
FRONT	48 [1219mm]	36 [914mm]	18 [457mm]
LEFT	48 [1219mm]	42 [1067mm]	18 [457mm]
BACK	42 [1067mm]	36 [914mm]	18 [457mm]
LEFT WITH HOOD	36 [914mm]	36 [914mm]	18 [457mm]
RIGHT	36 [914mm]	36 [914mm]	18 [457mm]
TOP	72 [1829mm]	72 [1829mm]	72 [1829mm]

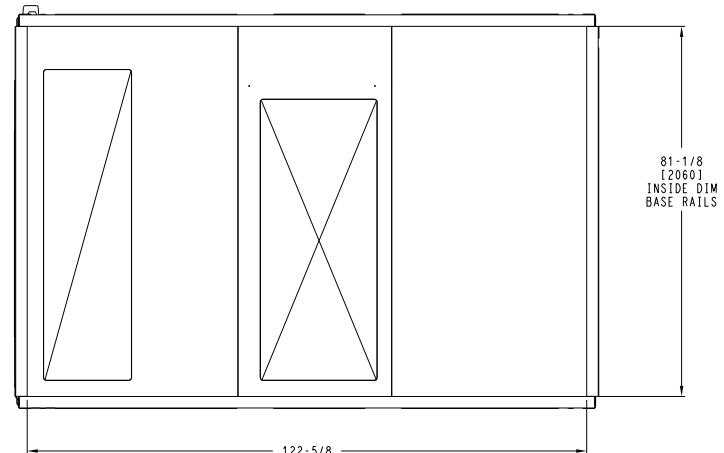
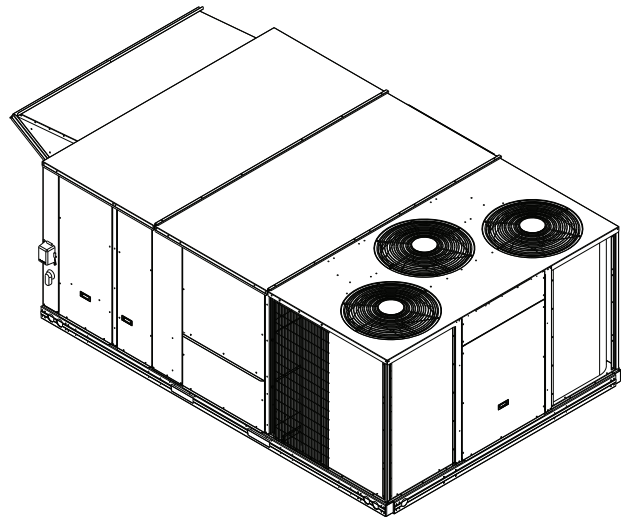
ITC CLASSIFICATION U.S. ECCN:NSR	SHEET 4 OF 5	DATE 09/08/25	SUPERCEDES 08/21/24	50GE 17 SINGLE ZONE ELECTRICAL COOLING WITH ELECTRIC HEAT	50HE008145	REV A
-------------------------------------	-----------------	------------------	------------------------	---	------------	----------

Fig. 5 — 50GE-17 Corner Weights and Clearances

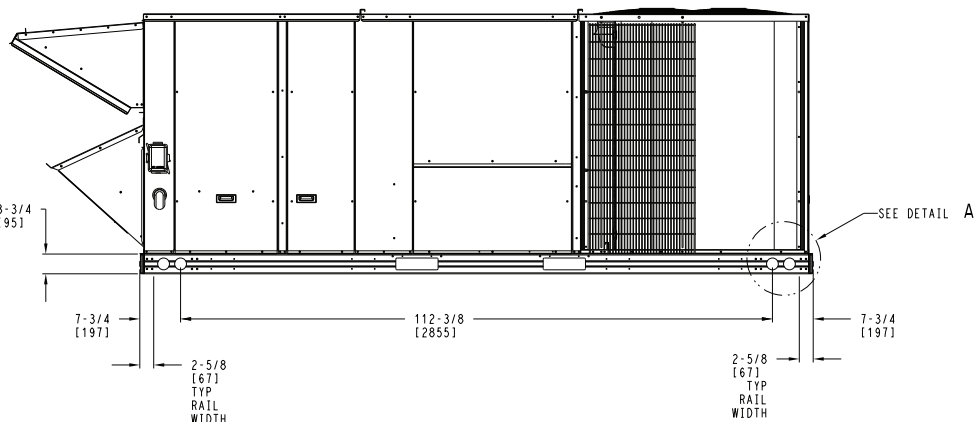


THIS DOCUMENT IS THE PROPERTY OF CARRIER CORPORATION AND IS DELIVERED UPON THE EXPRESS CONDITION THAT THE CONTENTS WILL NOT BE DISCLOSED OR USED WITHOUT CARRIER CORPORATION'S WRITTEN CONSENT.

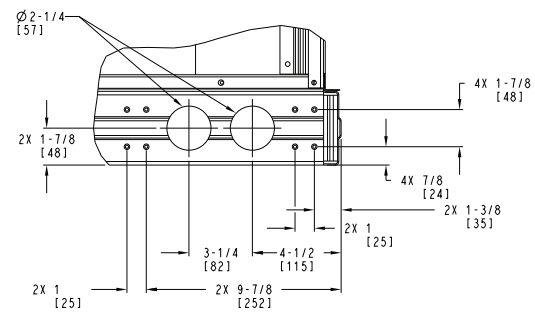
SUBMISSION OF THESE DRAWINGS OR DOCUMENTS DOES NOT CONSTITUTE PART PERFORMANCE OR ACCEPTANCE OF CONTRACT.



BOTTOM
INSIDE BASERAIL DIMENSIONS



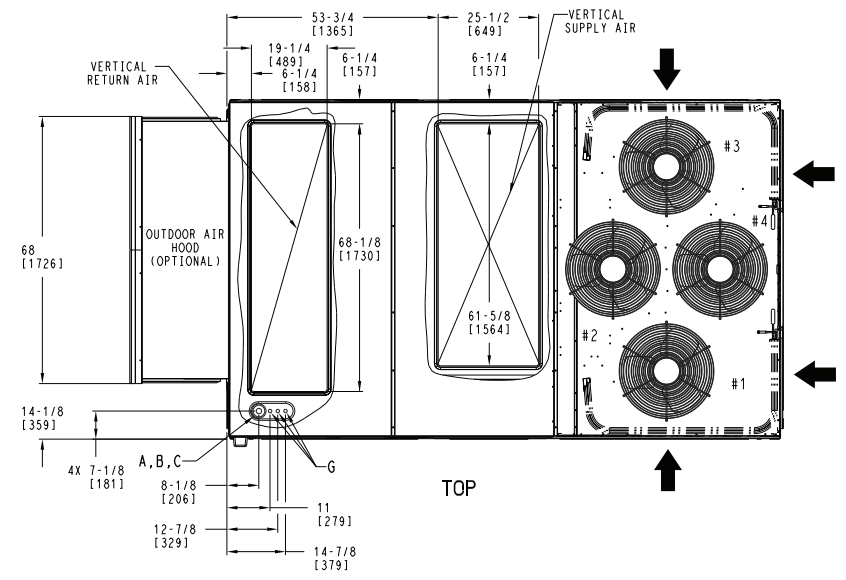
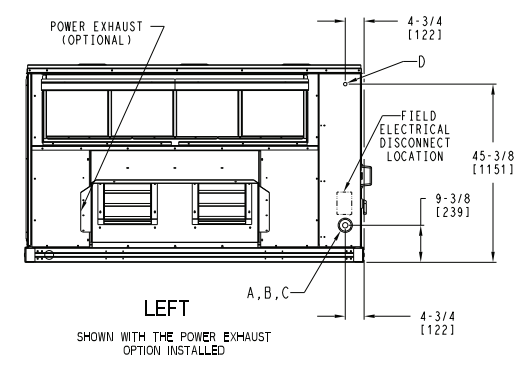
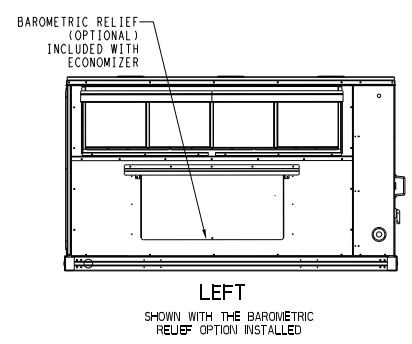
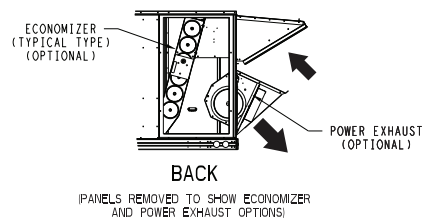
FRONT
RIGGING HOLE LOCATIONS



DETAIL A
TYP 4 PLCS

ITC CLASSIFICATION U.S. ECCN:NSR	SHEET 5 OF 5	DATE 09/08/25	SUPERCEDES 08/21/24	50GE 17 SINGLE ZONE ELECTRICAL COOLING WITH ELECTRIC HEAT	50HE008145	REV A
-------------------------------------	-----------------	------------------	------------------------	--	------------	----------

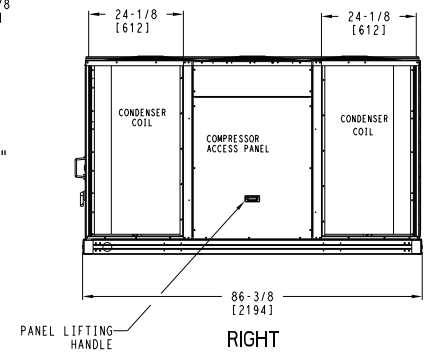
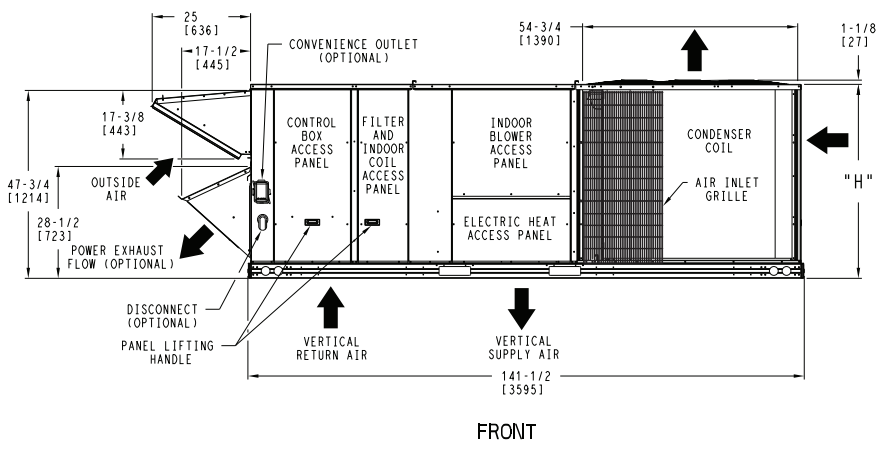
Fig. 6 — 50GE-*17 Bottom View



CONNECTION SIZES	
A	1 3/8" DIA [35] FIELD POWER SUPPLY KNOCKOUT
B	3" DIA [76] FIELD POWER SUPPLY KNOCKOUT
C	3 5/8" DIA [92] FIELD POWER SUPPLY KNOCKOUT
D	7/8" DIA [22] FIELD CONTROL WIRING HOLE
G	7/8" DIA [22] FIELD CONTROL WIRING KNOCKOUT

UNIT	H
20 SIZE	49-3/8 [1253]
24 SIZE	57-3/8 [1456]

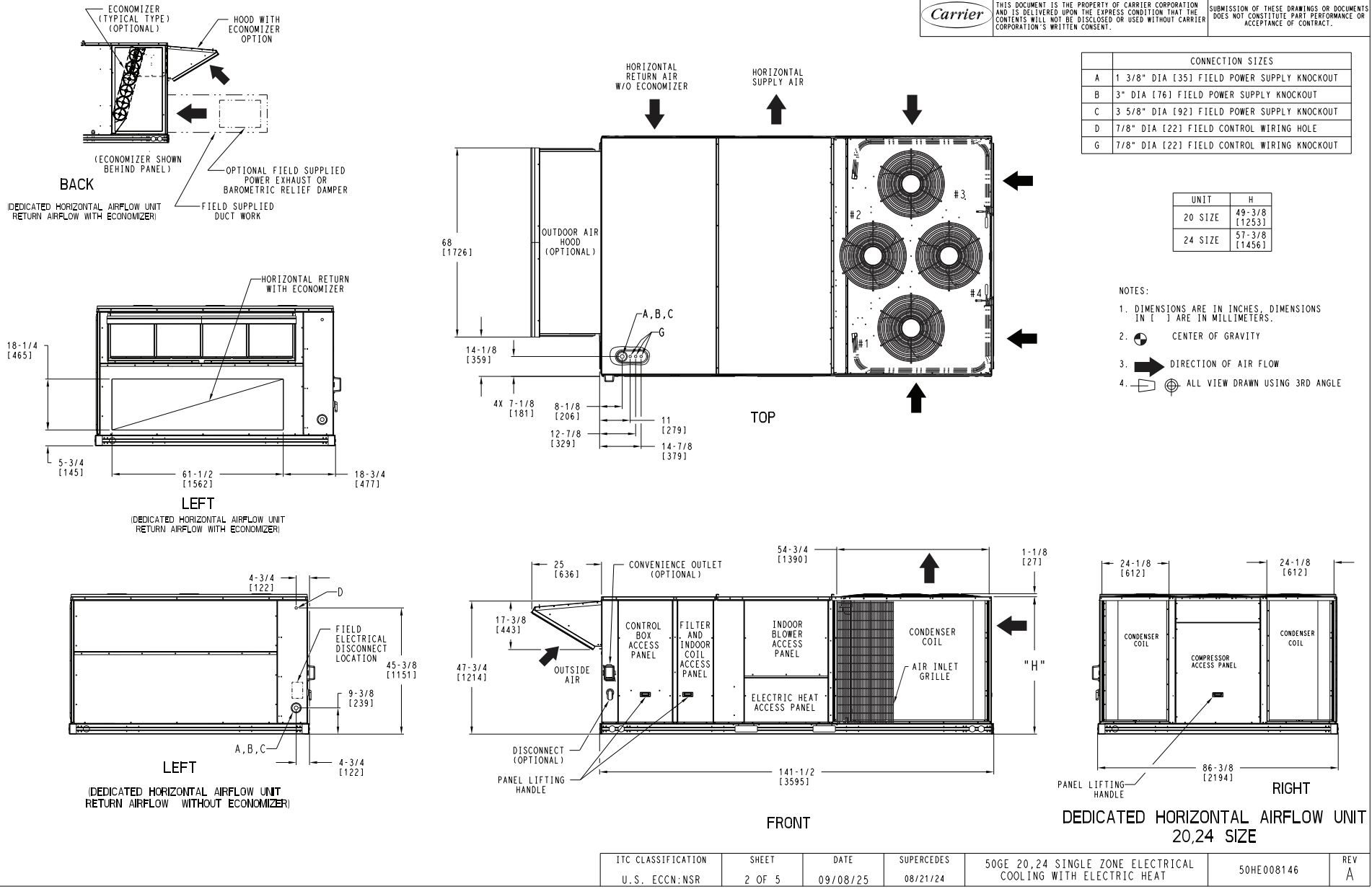
- NOTES:
1. DIMENSIONS ARE IN INCHES. DIMENSIONS IN [] ARE IN MILLIMETERS.
 2. CENTER OF GRAVITY
 3. DIRECTION OF AIR FLOW
 4. ALL VIEW DRAWN USING 3RD ANGLE



**DEDICATED VERTICAL AIRFLOW UNIT
 20,24 SIZE**

ITC CLASSIFICATION U.S. ECCN:NSR	SHEET 1 OF 5	DATE 09/08/25	SUPERCEDES 08/21/24	50GE 20,24 SINGLE ZONE ELECTRICAL COOLING WITH ELECTRIC HEAT	50HE008146	REV A
-------------------------------------	-----------------	------------------	------------------------	--	------------	----------

Fig. 7 — 50GE-*20, 24 Vertical Airflow



10

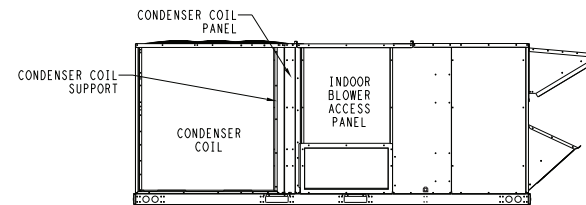
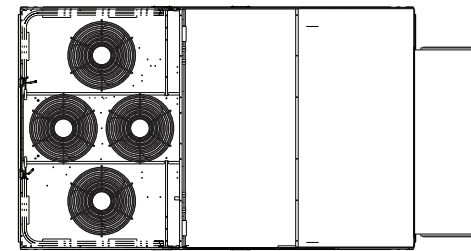
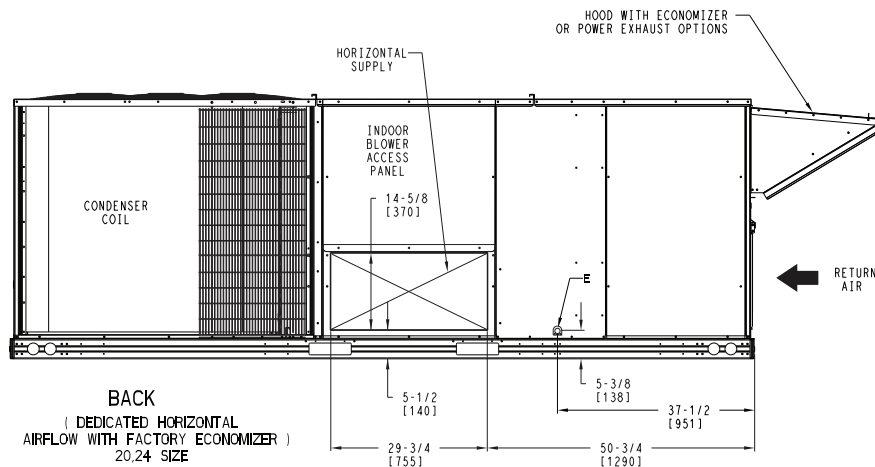
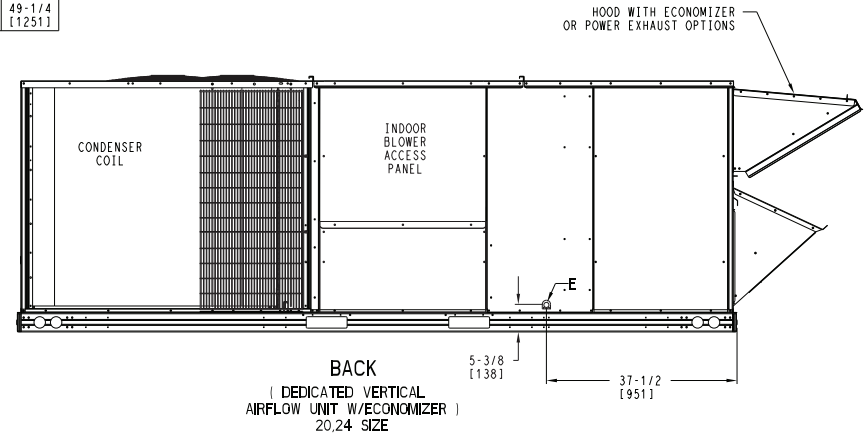
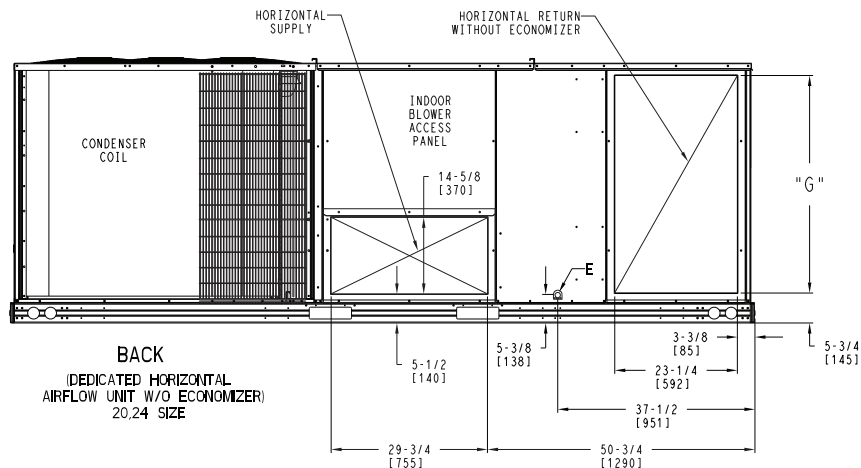
Fig. 8 — 50GE-20, 24 Horizontal Airflow

ITC CLASSIFICATION	SHEET	DATE	SUPERCEDES	50GE 20,24 SINGLE ZONE ELECTRICAL COOLING WITH ELECTRIC HEAT	50HE008146	REV
U.S. ECCN:NSR	2 OF 5	09/08/25	08/21/24			A

CONNECTION SIZES	
E	3/4"-14 NPT CONDENSATE DRAIN

Carrier THIS DOCUMENT IS THE PROPERTY OF CARRIER CORPORATION AND IS DELIVERED UPON THE EXPRESS CONDITION THAT THE CONTENTS WILL NOT BE DISCLOSED OR USED WITHOUT CARRIER CORPORATION'S WRITTEN CONSENT. SUBMISSION OF THESE DRAWINGS OR DOCUMENTS DOES NOT CONSTITUTE PART PERFORMANCE OR ACCEPTANCE OF CONTRACT.

UNIT	G
20 SIZE	41-3/8 [1049]
24 SIZE	49-1/4 [1251]



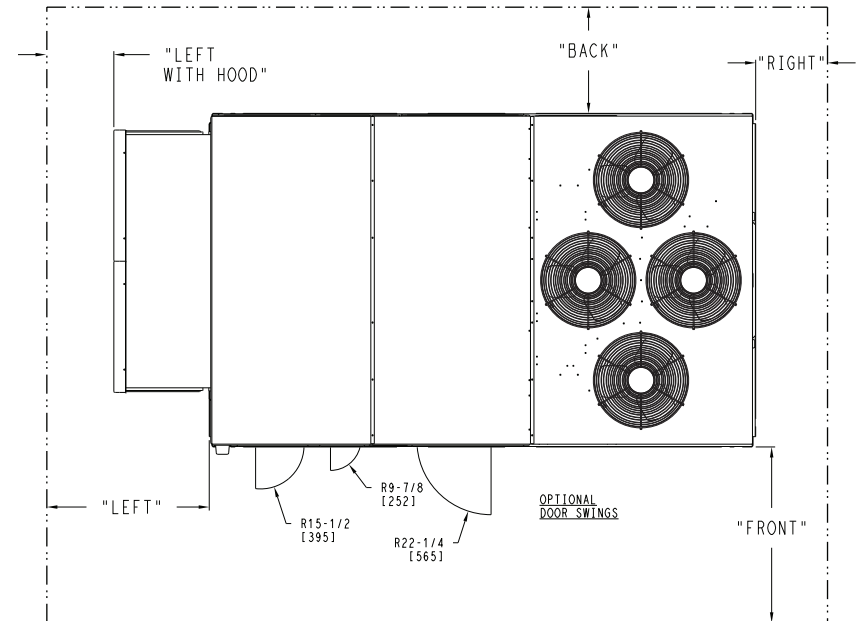
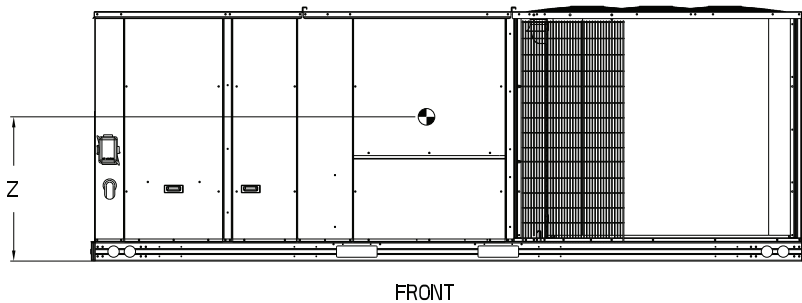
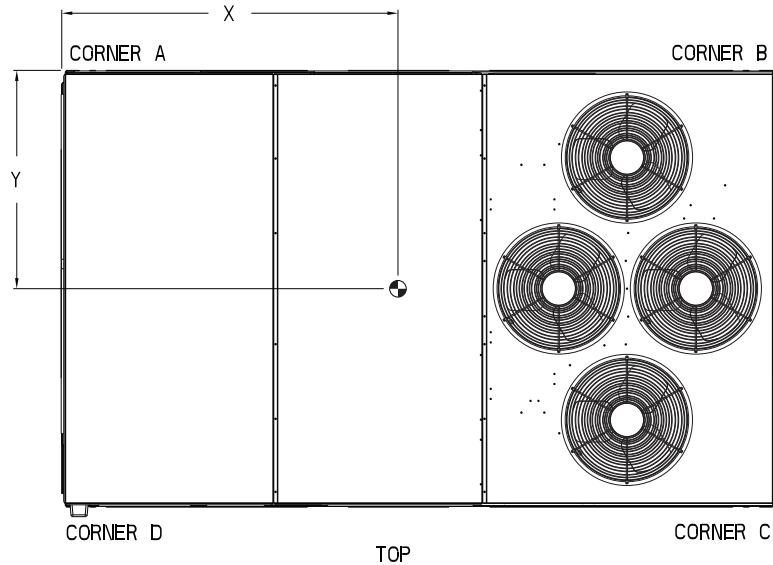
ITC CLASSIFICATION	SHEET	DATE	SUPERCEDES	50GE 20,24 SINGLE ZONE ELECTRICAL COOLING WITH ELECTRIC HEAT	50HE008146	REV
U.S. ECCN:NSR	3 OF 5	09/08/25	08/21/24			A

Fig. 9 — 50GE-*20, 24 Back View and Condensate Drain Location

UNIT	STD. UNIT WEIGHT *		CORNER WEIGHT (A)		CORNER WEIGHT (B)		CORNER WEIGHT (C)		CORNER WEIGHT (D)		C.G.		
	LBS.	KG.	LBS.	KG.	LBS.	KG.	LBS.	KG.	LBS.	KG.	X	Y	Z
50GE20	1918	870	429	195	512	232	532	241	445	202	77 [1956]	44 [1118]	16 1/2 [419]
50GE24	2198	997	520	236	520	236	579	263	579	263	70 3/4 [1797]	45 1/2 [1156]	16 1/2 [419]

Carrier THIS DOCUMENT IS THE PROPERTY OF CARRIER CORPORATION AND IS DELIVERED UPON THE EXPRESS CONDITION THAT THE CONTENTS WILL NOT BE DISCLOSED OR USED WITHOUT CARRIER CORPORATION'S WRITTEN CONSENT. SUBMISSION OF THESE DRAWINGS OR DOCUMENTS DOES NOT CONSTITUTE PART PERFORMANCE OR ACCEPTANCE OF CONTRACT.

* STANDARD UNIT WEIGHT IS WITHOUT ELECTRIC HEAT AND WITHOUT PACKAGING. FOR OTHER OPTIONS AND ACCESSORIES, REFER TO THE PRODUCT DATA CATALOG.



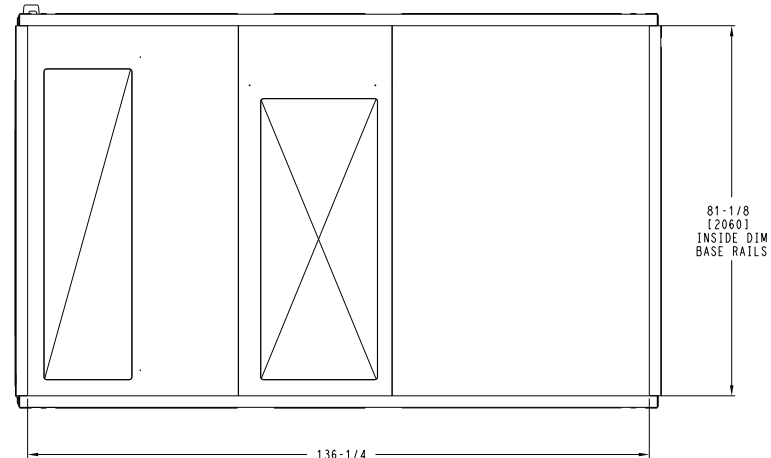
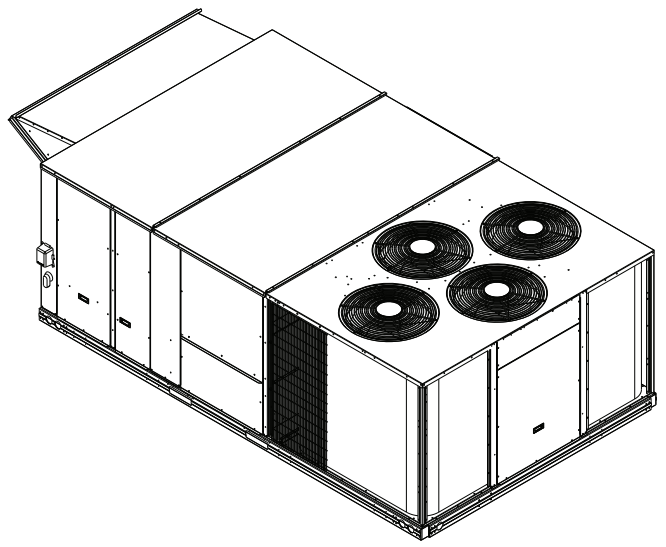
NOTES:

1. CLEARANCE ABOVE THE UNIT TO BE 72"
2. FOR ALL MINIMUM CLEARANCES LOCAL CODES OR JURISDICTIONS MAY PREVAIL.

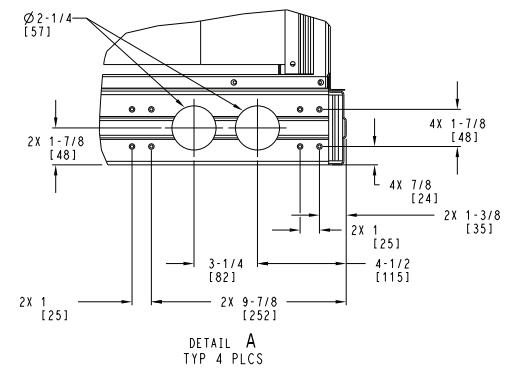
SURFACE	CLEARANCE		OPERATING CLEARANCE
	SERVICE WITH CONDUCTIVE BARRIER	SERVICE WITH NONCONDUCTIVE BARRIER	
FRONT	48 [1219mm]	36 [914mm]	18 [457mm]
LEFT	48 [1219mm]	42 [1067mm]	18 [457mm]
BACK	42 [1067mm]	36 [914mm]	18 [457mm]
LEFT WITH HOOD	36 [914mm]	36 [914mm]	18 [457mm]
RIGHT	36 [914mm]	36 [914mm]	18 [457mm]
TOP	72 [1829mm]	72 [1829mm]	72 [1829mm]

ITC CLASSIFICATION U.S. ECCN:NSR	SHEET 4 OF 5	DATE 09/08/25	SUPERCEDES 08/21/24	50GE 20,24 SINGLE ZONE ELECTRICAL COOLING WITH ELECTRIC HEAT	50HE008146	REV A
-------------------------------------	-----------------	------------------	------------------------	--	------------	----------

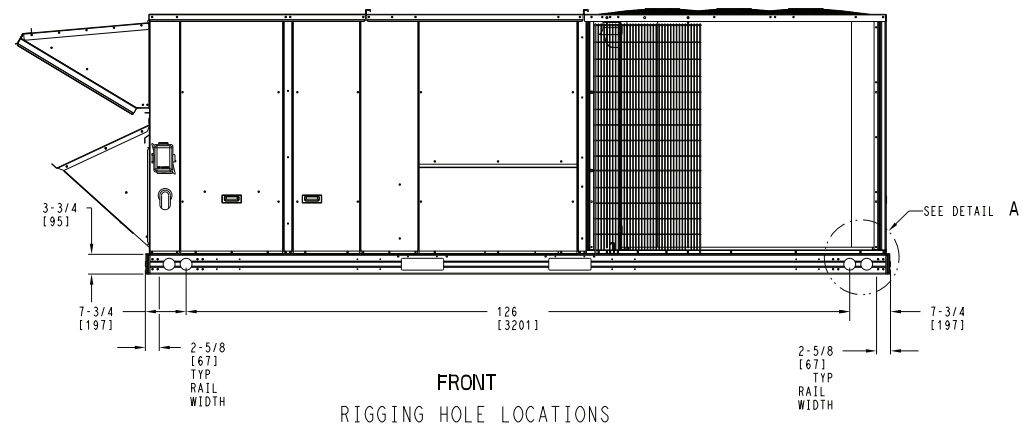
Fig. 10 — 50GE-*20, 24 Corner Weights and Clearances



BOTTOM
INSIDE BASERAIL DIMENSIONS



DETAIL A
TYP 4 PLCS



FRONT
RIGGING HOLE LOCATIONS

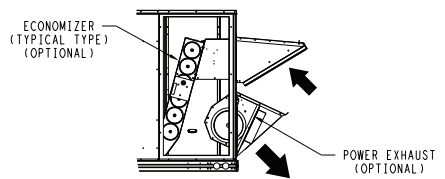
ITC CLASSIFICATION	SHEET	DATE	SUPERCEDES	50GE 20,24 SINGLE ZONE ELECTRICAL COOLING WITH ELECTRIC HEAT	50HE008146	REV
U.S. ECCN:NSR	5 OF 5	09/08/25	08/20/24			A

Fig. 11 — 50GE-*20, 24 Bottom View

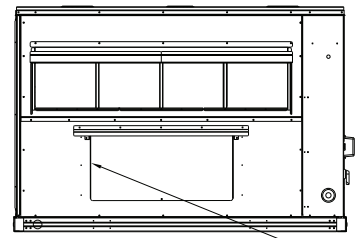


THIS DOCUMENT IS THE PROPERTY OF CARRIER CORPORATION AND IS DELIVERED UPON THE EXPRESS CONDITION THAT THE CONTENTS WILL NOT BE DISCLOSED OR USED WITHOUT CARRIER CORPORATION'S WRITTEN CONSENT.

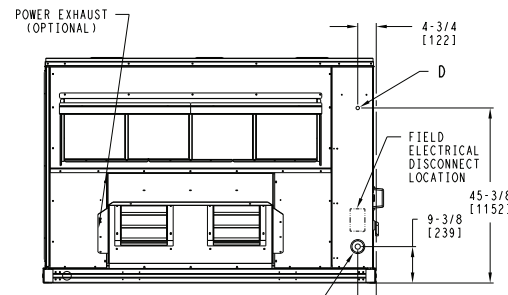
SUBMISSION OF THESE DRAWINGS OR DOCUMENTS DOES NOT CONSTITUTE PART PERFORMANCE OR ACCEPTANCE OF CONTRACT.



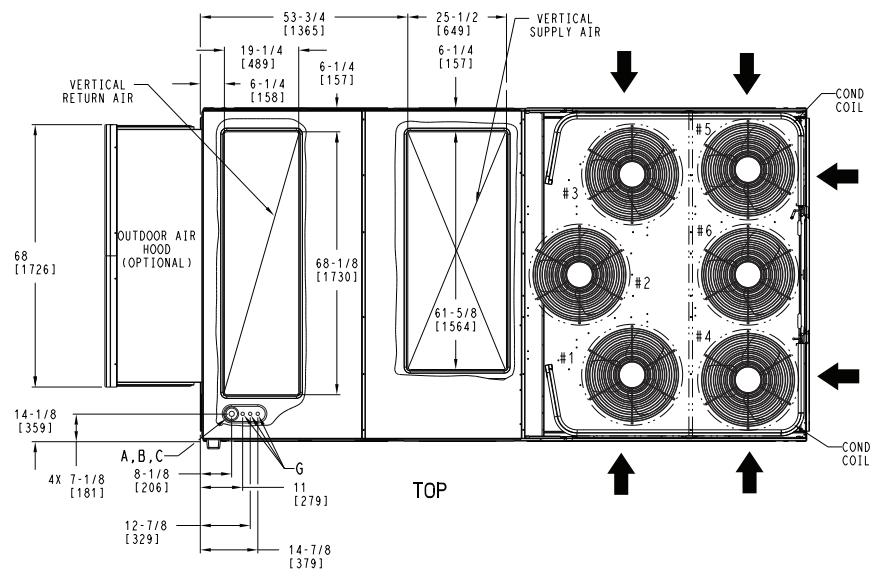
BACK
(PANELS REMOVED TO SHOW ECONOMIZER AND POWER EXHAUST OPTIONS)



LEFT
SHOWN WITH THE BAROMETRIC RELIEF (OPTIONAL) INCLUDED WITH ECONOMIZER



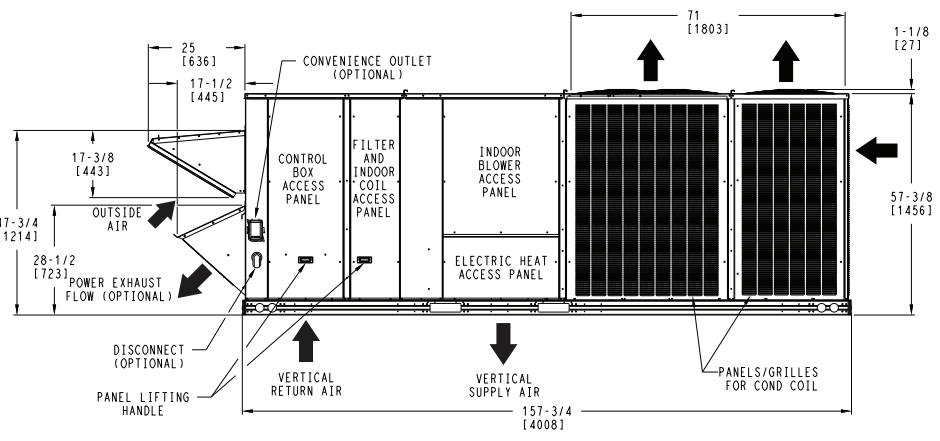
LEFT
SHOWN WITH THE POWER EXHAUST OPTION INSTALLED



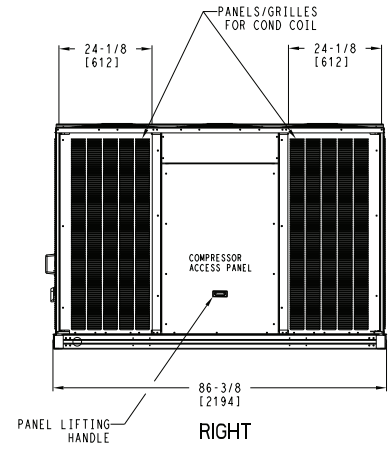
TOP

CONNECTION SIZES	
A	1 3/8" DIA [35] FIELD POWER SUPPLY KNOCKOUT
B	3" DIA [76] FIELD POWER SUPPLY KNOCKOUT
C	3 5/8" DIA [92] FIELD POWER SUPPLY KNOCKOUT
D	7/8" DIA [22] FIELD CONTROL WIRING HOLE
G	7/8" DIA [22] FIELD CONTROL WIRING KNOCKOUT

- NOTES:
1. DIMENSIONS ARE IN INCHES. DIMENSIONS IN [] ARE IN MILLIMETERS.
 2. CENTER OF GRAVITY
 3. DIRECTION OF AIR FLOW
 4. ALL VIEW DRAWN USING 3RD ANGLE



FRONT



RIGHT

**DEDICATED VERTICAL AIRFLOW UNIT
28 SIZE**

ITC CLASSIFICATION	SHEET	DATE	SUPERCEDES	50GE 28 SINGLE ZONE ELECTRICAL COOLING WITH ELECTRIC HEAT	50HE008147	REV
U.S. ECCN:NSR	1 OF 5	09/08/25	08/21/24			A

Fig. 12 — 50GE-28 Vertical Airflow



THIS DOCUMENT IS THE PROPERTY OF CARRIER CORPORATION AND IS DELIVERED UPON THE EXPRESS CONDITION THAT THE CONTENTS WILL NOT BE DISCLOSED OR USED WITHOUT CARRIER CORPORATION'S WRITTEN CONSENT.

SUBMISSION OF THESE DRAWINGS OR DOCUMENTS DOES NOT CONSTITUTE PART PERFORMANCE OR ACCEPTANCE OF CONTRACT.

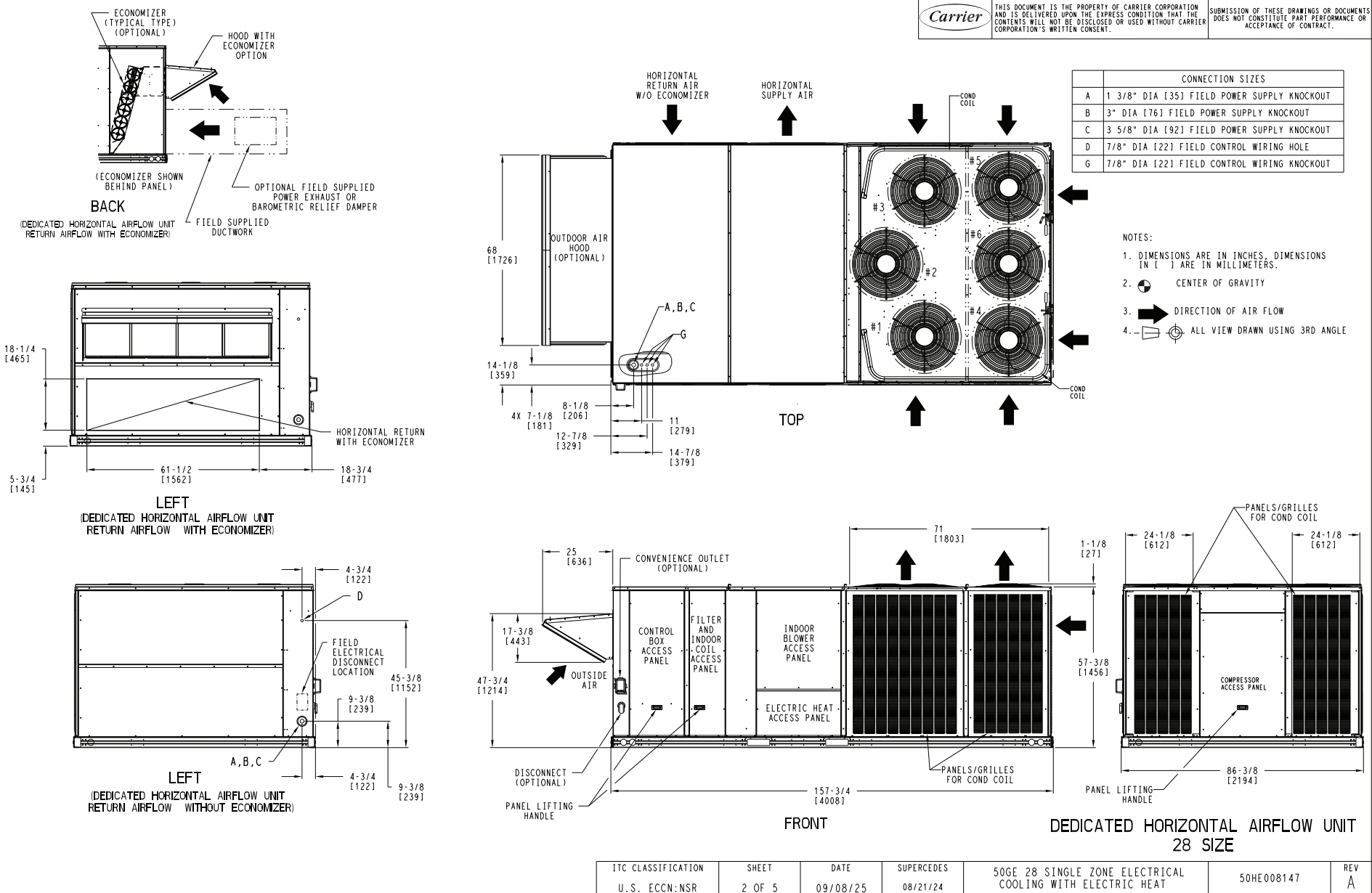
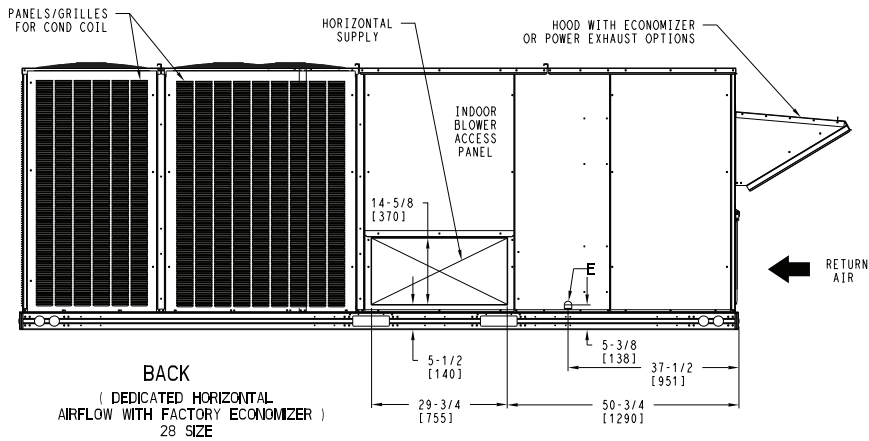
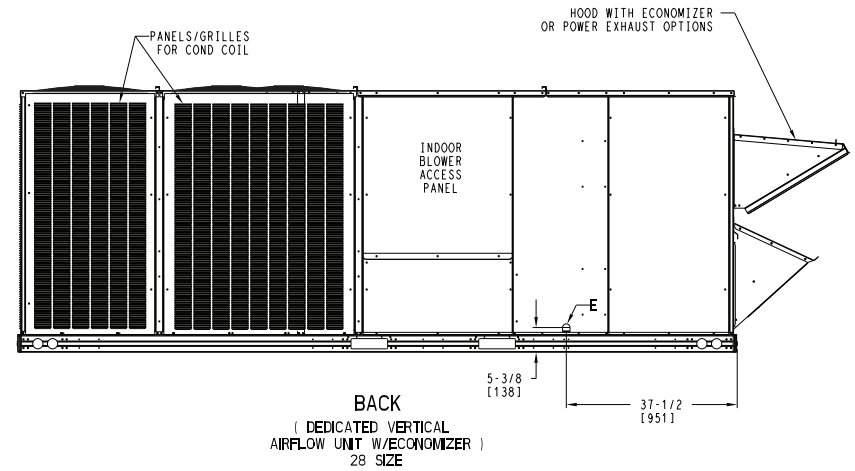
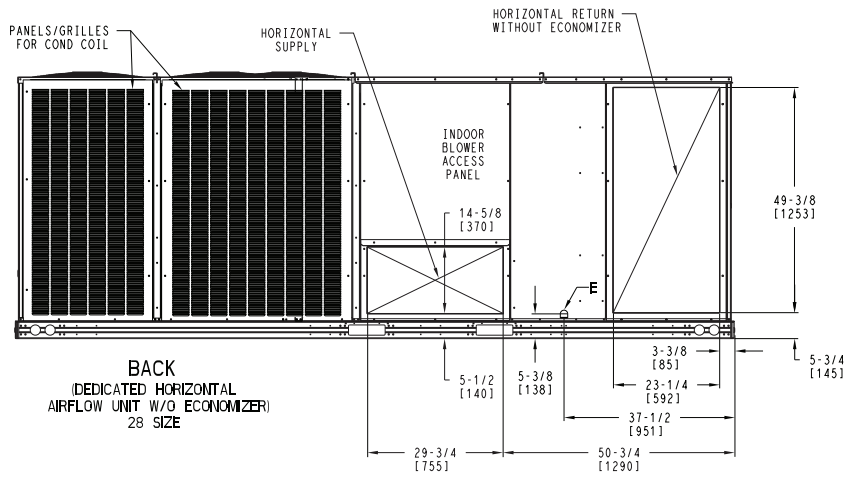


Fig. 13 — 50GE-28 Horizontal Airflow

CONNECTION SIZES	
E	3/4"-14 NPT CONDENSATE DRAIN

Carrier THIS DOCUMENT IS THE PROPERTY OF CARRIER CORPORATION AND IS DELIVERED UPON THE EXPRESS CONDITION THAT THE CONTENTS WILL NOT BE DISCLOSED OR USED WITHOUT CARRIER CORPORATION'S WRITTEN CONSENT. SUBMISSION OF THESE DRAWINGS OR DOCUMENTS DOES NOT CONSTITUTE PART PERFORMANCE OR ACCEPTANCE OF CONTRACT.



ITC CLASSIFICATION	SHEET	DATE	SUPERCEDES	50GE 28 SINGLE ZONE ELECTRICAL COOLING WITH ELECTRIC HEAT	REV
U.S. ECCN:NSR	3 OF 5	09/08/25	08/21/24	50HE008147	A

Fig. 14 — 50GE-28 Back View and Condensate Drain Location

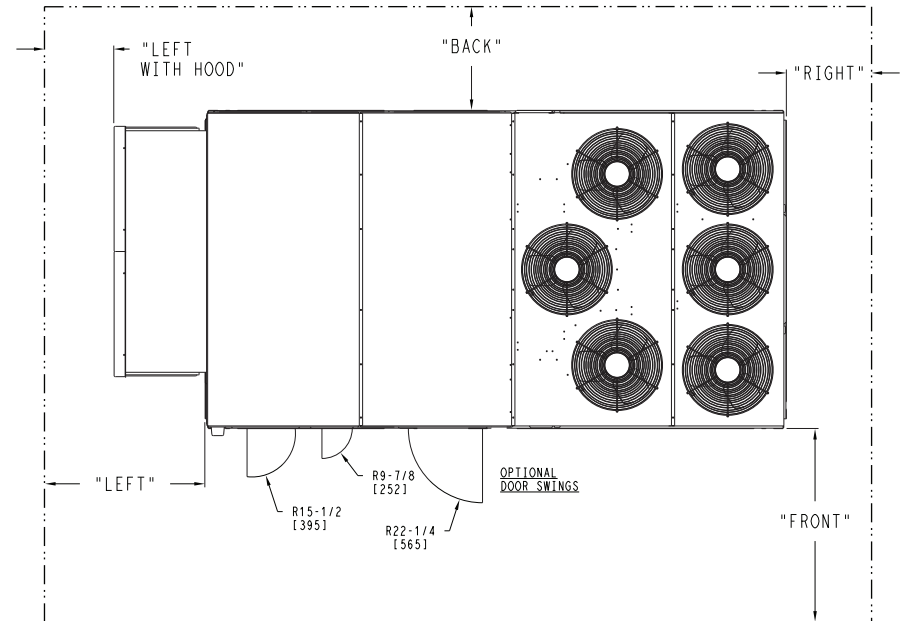
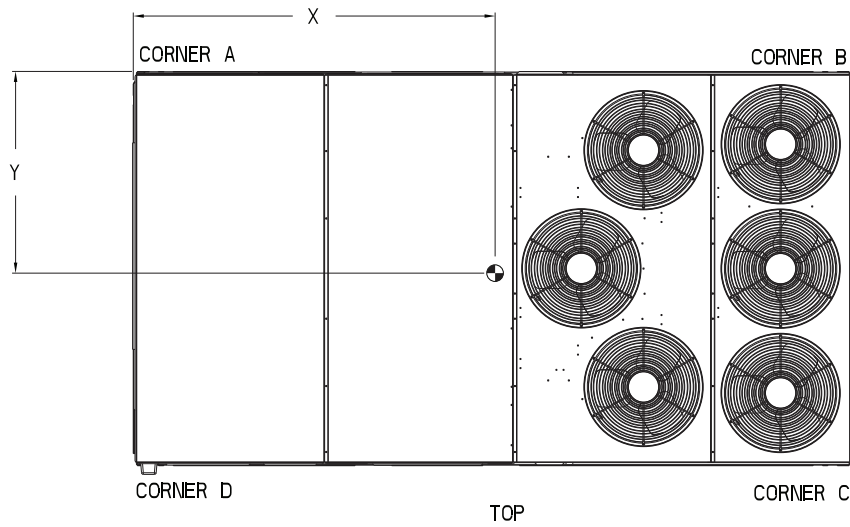
UNIT	STD UNIT WEIGHT *		CORNER WEIGHT (A)		CORNER WEIGHT (B)		CORNER WEIGHT (C)		CORNER WEIGHT (D)		C.G.		
	LBS.	KG.	LBS.	KG.	LBS.	KG.	LBS.	KG.	LBS.	KG.	X	Y	Z
50GE28	2291	1039	476	216	581	264	678	308	555	252	86 3/4 [2203]	46 1/2 [1181]	19 [483]



THIS DOCUMENT IS THE PROPERTY OF CARRIER CORPORATION AND IS DELIVERED UPON THE EXPRESS CONDITION THAT THE CONTENTS WILL NOT BE DISCLOSED OR USED WITHOUT CARRIER CORPORATION'S WRITTEN CONSENT.

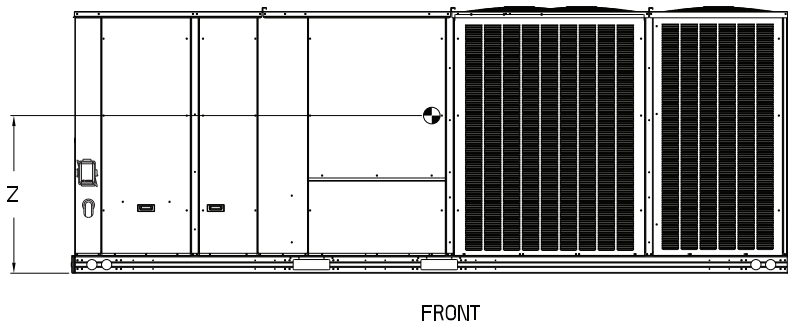
SUBMISSION OF THESE DRAWINGS OR DOCUMENTS DOES NOT CONSTITUTE PART PERFORMANCE OR ACCEPTANCE OF CONTRACT.

* STANDARD UNIT WEIGHT IS WITHOUT ELECTRIC HEAT AND WITHOUT PACKAGING. FOR OTHER OPTIONS AND ACCESSORIES, REFER TO THE PRODUCT DATA CATALOG.



NOTES:

1. CLEARANCE ABOVE THE UNIT TO BE 72"
2. FOR ALL MINIMUM CLEARANCES LOCAL CODES OR JURISDICTIONS MAY PREVAIL.



SURFACE	CLEARANCE		OPERATING CLEARANCE
	SERVICE WITH CONDUCTIVE BARRIER	SERVICE WITH NONCONDUCTIVE BARRIER	
FRONT	48 [1219mm]	36 [914mm]	18 [457mm]
LEFT	48 [1219mm]	42 [1067mm]	18 [457mm]
BACK	42 [1067mm]	36 [914mm]	18 [457mm]
LEFT WITH HOOD	36 [914mm]	36 [914mm]	18 [457mm]
RIGHT	36 [914mm]	36 [914mm]	18 [457mm]
TOP	72 [1829mm]	72 [1829mm]	72 [1829mm]

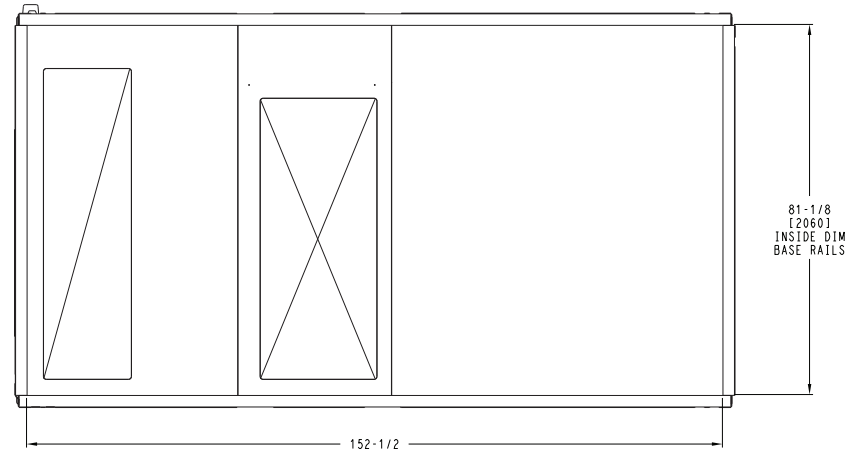
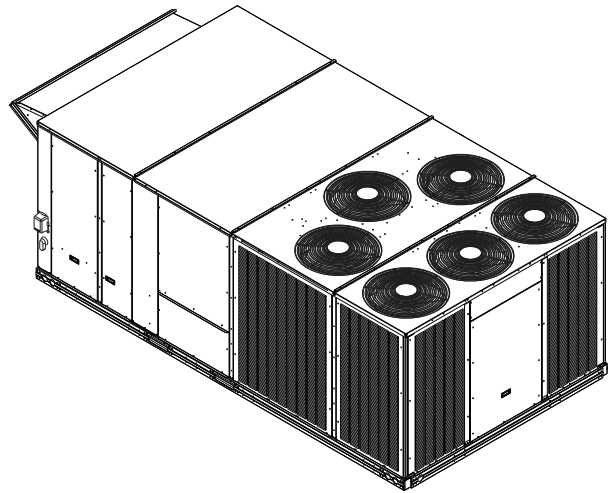
ITC CLASSIFICATION U.S. ECCN:NSR	SHEET 4 OF 5	DATE 09/08/25	SUPERCEDES 08/21/24	50GE 28 SINGLE ZONE ELECTRICAL COOLING WITH ELECTRIC HEAT	50HE008147	REV A
-------------------------------------	-----------------	------------------	------------------------	---	------------	----------

Fig. 15 — 50GE-*28 Corner Weights and Clearances



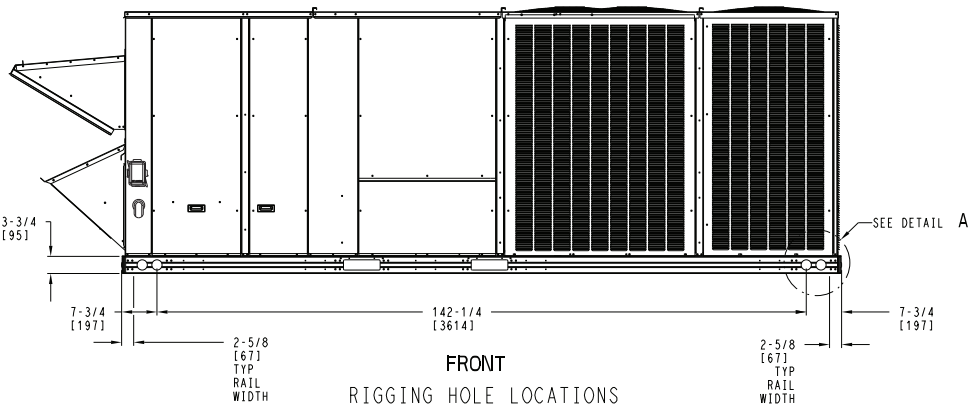
THIS DOCUMENT IS THE PROPERTY OF CARRIER CORPORATION AND IS DELIVERED UPON THE EXPRESS CONDITION THAT THE CONTENTS WILL NOT BE DISCLOSED OR USED WITHOUT CARRIER CORPORATION'S WRITTEN CONSENT.

SUBMISSION OF THESE DRAWINGS OR DOCUMENTS DOES NOT CONSTITUTE PART PERFORMANCE OR ACCEPTANCE OF CONTRACT.



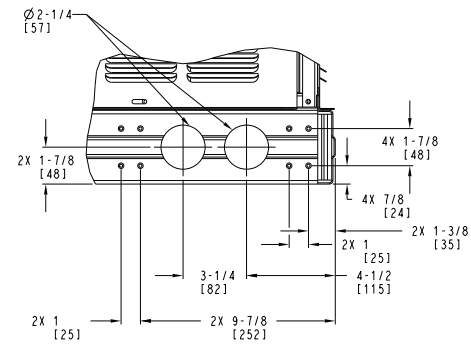
BOTTOM

INSIDE BASERAIL DIMENSIONS



FRONT

RIGGING HOLE LOCATIONS



DETAIL A
TYP 4 PLCS

ITC CLASSIFICATION U.S. ECCN:NSR	SHEET 5 OF 5	DATE 09/08/25	SUPERCEDES 08/21/24	50GE 28 SINGLE ZONE ELECTRICAL COOLING WITH ELECTRIC HEAT	50HE008147	REV A
-------------------------------------	-----------------	------------------	------------------------	--	------------	----------

Fig. 16 — 50GE-28 Bottom View

INSTALLATION

Job-Site Survey

Complete the following checks before installation.

1. Consult local building codes and the NEC (National Electrical Code) ANSI/NFPA 70 for special installation requirements.
2. Determine unit location (from project plans) or select unit location.
3. Check for possible overhead obstructions which may interfere with unit lifting or rigging.

Step 1 — Plan for Unit Location

Select a location for the unit and its support system (curb or other) that provides for the minimum clearances required for safety. This includes the clearance to combustible surfaces, unit performance and service access below, around and above unit as specified in the unit drawings. See Fig. 5, 10, and 15.

NOTE: Consider also the effect of adjacent units. Be sure that unit is installed such that snow will not block the combustion intake or flue outlet.

Unit may be installed directly on wood flooring or on class A, B, or C roof-covering material when roof curb is used.

Do not install unit in an indoor location. Do not locate air inlets near exhaust vents or other sources of contaminated air.

Although unit is weatherproof, avoid locations that permit water from higher level runoff and overhangs to fall onto the unit.

Select a unit mounting system that provides adequate height to allow installation of condensate trap per requirements. Refer to Install External Condensate Trap and Line on page 27 for required trap dimensions.

ROOF MOUNT

Check building codes for weight distribution requirements. Unit operating weight is shown in Table 2.

Step 2 — Plan for Sequence of Unit Installation

The support method used for this unit will dictate different sequences for the steps of unit installation. For example, on curb-mounted units, some accessories must be installed on the unit before the unit is placed on the curb. Review the following for recommended sequences for installation steps.

CURB-MOUNTED INSTALLATION

1. Install curb
2. Install field-fabricated ductwork inside curb
3. Install accessory thru-base service connection package (affects curb and unit) (refer to accessory installation instructions for details)
4. Rig and place unit
5. Remove top skid
6. Install outdoor air hood
7. Install smoke detector tube
8. Install condensate line trap and piping
9. Make electrical connections
10. Install other accessories

PAD-MOUNTED INSTALLATION

1. Prepare pad and unit supports
2. Rig and place unit
3. Remove duct covers and top skid
4. Install smoke detector return air sensor tube
5. Install field-fabricated ductwork at unit duct openings
6. Install outdoor air hood
7. Install condensate line trap and piping
8. Make electrical connections
9. Install other accessories

FRAME-MOUNTED INSTALLATION

Frame-mounted applications generally follow the sequence for a curb installation. Adapt as required to suit specific installation plan.

Step 3 — Inspect Unit

Inspect unit for transportation damage. File any claim with transportation agency.

Confirm before installation of unit that voltage, amperage and circuit protection requirements listed on unit data plate agree with power supply provided.

On units with hinged panel option, check to be sure all latches are tight and in closed position.

Locate the carton containing the outside air hood parts in the rear blower assembly. Do not remove carton until unit has been rigged and located in final position.

Table 2 — Operating Weights

50GE-*	UNITS lb (kg)			
	17	20	24	28
Base Unit	1640 (744)	1918 (870)	2198 (997)	2291 (1039)
Economizer	246 (112)	246 (112)	246 (112)	246 (112)
Powered Outlet	35 (16)	35 (16)	35 (16)	35 (16)
Humidi-MiZer® System	110 (50)	120 (54)	120 (54)	120 (54)
Curb				
14 in. (356 mm)	240 (109)	255 (116)	255 (116)	273 (124)
24 in. (610 mm)	340 (154)	355 (161)	355 (161)	355 (161)

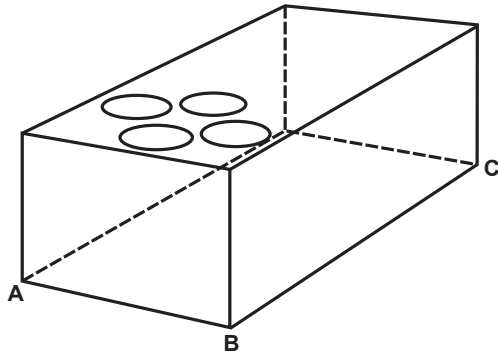
Step 4 — Provide Unit Support

ROOF CURB MOUNT

Accessory roof curb details and dimensions are shown in Fig. 19-21. Assemble and install accessory roof curb in accordance with instructions shipped with the curb.

NOTE: The gasketing of the unit to the roof curb is critical for a watertight seal. Install gasket supplied with the roof curb as shown in Fig. 19-21. Improperly applied gasket can also result in air leaks and poor unit performance.

Curb should be level. This is necessary for unit drain to function properly. Unit leveling tolerances are shown in Fig. 17. Refer to Accessory Roof Curb Installation Instructions for additional information as required.



MAXIMUM ALLOWABLE DIFFERENCE in. (mm)

A-B	B-C	A-C
0.25 (6)	0.5 (12)	0.5 (12)

Fig. 17 — Unit Leveling Tolerances

Install insulation, cant strips, roofing felt, and counter flashing as shown. Ductwork must be attached to curb and not to the unit. Thru-the-base power connection must be installed before the unit is set on the roof curb.

If electric and control wiring is to be routed through the basepan, remove knockouts in basepan located in control box area of access

panel, see Fig. 18. See Fig. 2-16 for basepan knockout locations for location. Attach the service connections to the basepan.

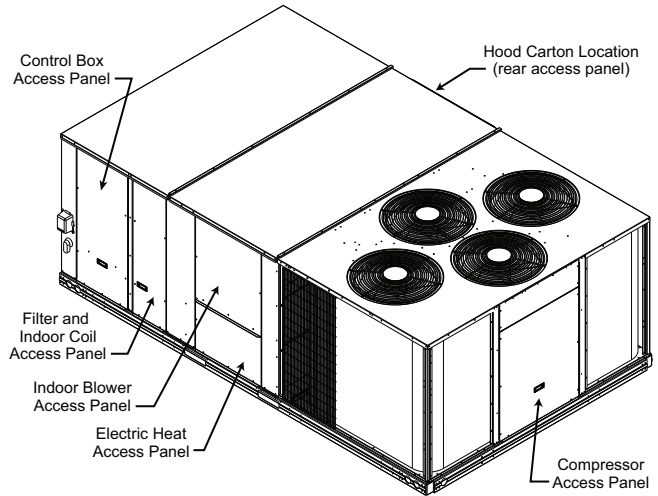


Fig. 18 — Typical Access Panel and Compressor Locations

SLAB MOUNT (HORIZONTAL UNITS ONLY)

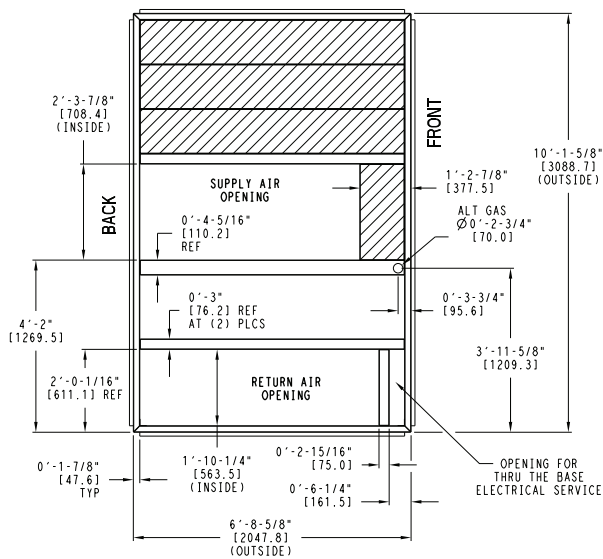
Provide a level concrete slab that extends a minimum of 6 in. (150 mm) beyond unit cabinet. Install a gravel apron in front of condenser coil air inlet to prevent grass and foliage from obstructing airflow.

NOTE: Horizontal units may be installed on a roof curb if required.

ALTERNATE UNIT SUPPORT (IN LIEU OF CURB MOUNT)

A non-combustible sleeper rail can be used in the unit curb support area. If sleeper rails cannot be used, support the long sides of the unit with a minimum of 4 equally spaced 4 in. x 4 in. (102 mm x 102 mm) pads on each side. Locate pads so that they support the rails. Make sure to avoid the fork openings.

"A"		ROOF CURB ACCESSORY
1'-2"	[356.0]	CRRFCURB045A00
2'-0"	[610.0]	CRRFCURB046A00



- NOTES:
- 1 ROOF CURB ACCESSORY IS SHIPPED UNASSEMBLED.
 - 2 DIMENSIONS IN [] ARE IN MILLIMETERS.
 - 3 ROOF CURB GALVANIZED STEEL.
 - 4 ATTACH DUCTWORK TO CURB (FLANGES ON DUCT REST ON CURB)
 - 5 SERVICE CLEARANCE 4 FT ON EACH SIDE

➔ DIRECTION OF AIR FLOW

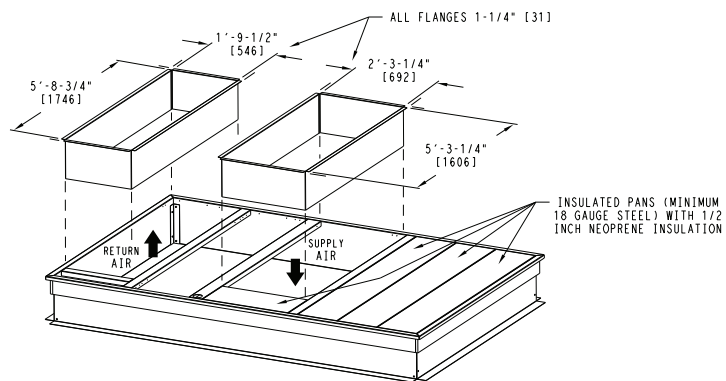
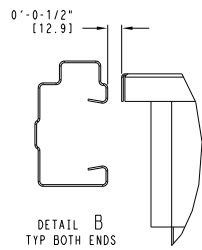
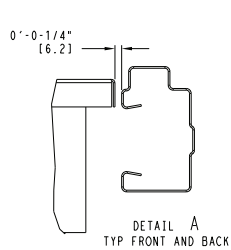
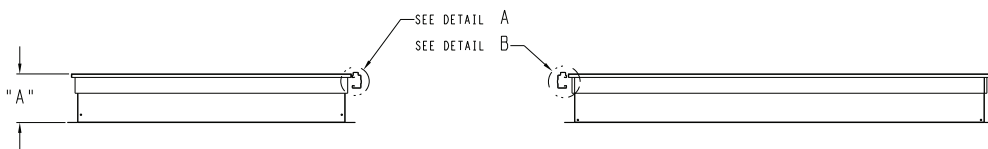
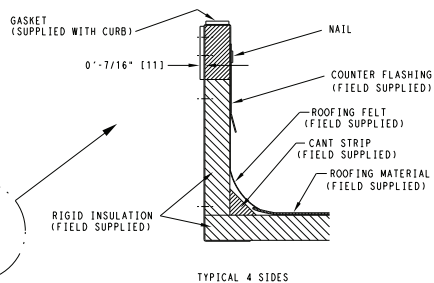
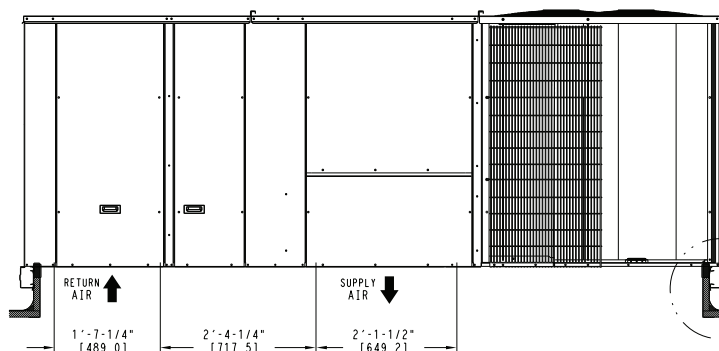
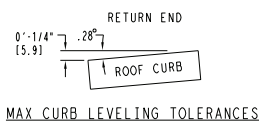
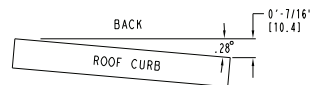
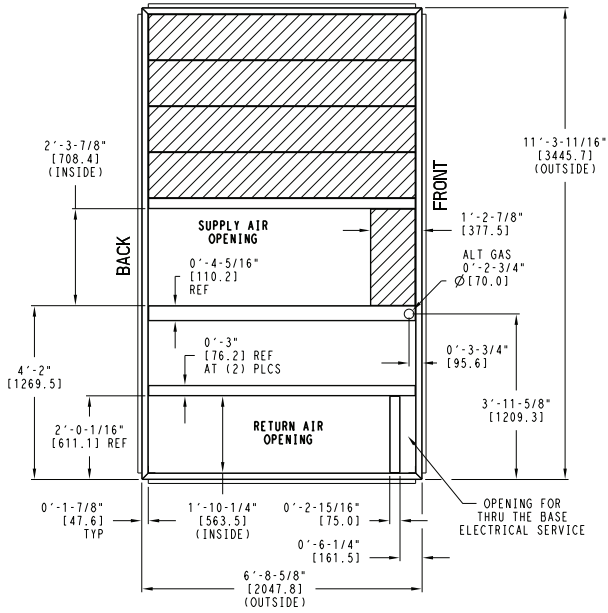


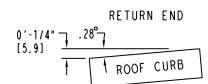
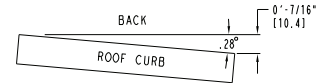
Fig. 19 – Roof Curb Details – Size 17 Units

"A"	ROOF CURB ACCESSORY
1'-2" [356.0]	CRRFCURB047A00
2'-0" [610.0]	CRRFCURB048A00



- NOTES:
- 1 ROOF CURB ACCESSORY IS SHIPPED UNASSEMBLED.
 - 2 DIMENSIONS IN [] ARE IN MILLIMETERS.
 - 3 ROOF CURB GALVANIZED STEEL.
 - 4 ATTACH DUCTWORK TO CURB (FLANGES ON DUCT REST ON CURB)
 - 5 SERVICE CLEARANCE 4 FT ON EACH SIDE

➔ DIRECTION OF AIR FLOW



MAX CURB LEVELING TOLERANCES

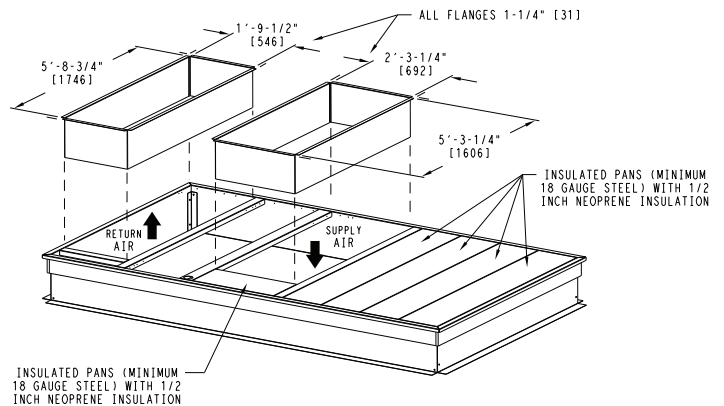
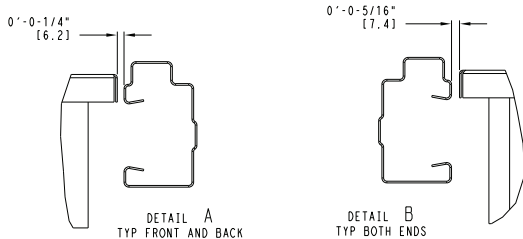
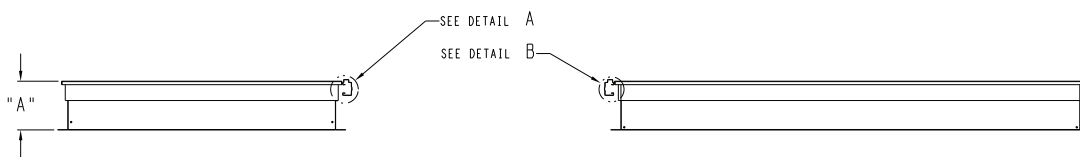
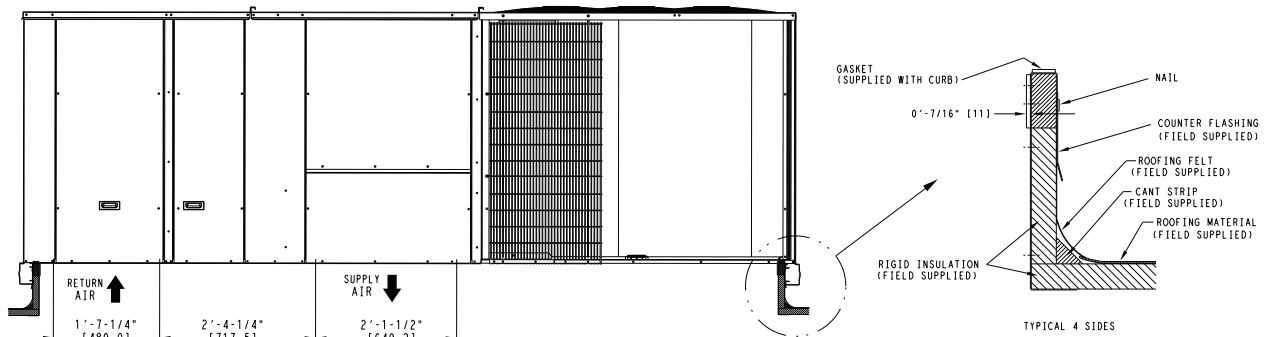
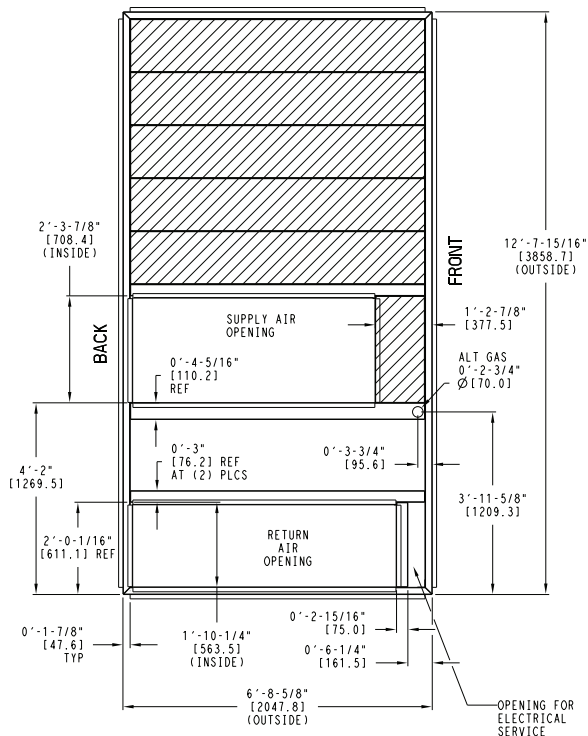


Fig. 20 — Roof Curb Details — Size 20 and 24 Units

"A"	ROOF CURB ACCESSORY
1'-2" [356.0]	CRRFCURB049A00
2'-0" [610.0]	CRRFCURB050A00



- NOTES:
- 1 ROOF CURB ACCESSORY IS SHIPPED UNASSEMBLED.
 - 2 BOLT HEADS TO BE ON INSIDE OF FLANGE. CLEARANCE IS [11] 0'-0-7/16" TYP ALL CORNERS.
 - 3 DIMENSIONS IN [] ARE IN MILLIMETERS.
 - 4 ROOF CURB GALVANIZED STEEL.
 - 5 ATTACH DUCTWORK TO CURB (FLANGES ON DUCT REST ON CURB)
 - 6 SERVICE CLEARANCE 4 FT ON EACH SIDE
- ➔ DIRECTION OF AIR FLOW

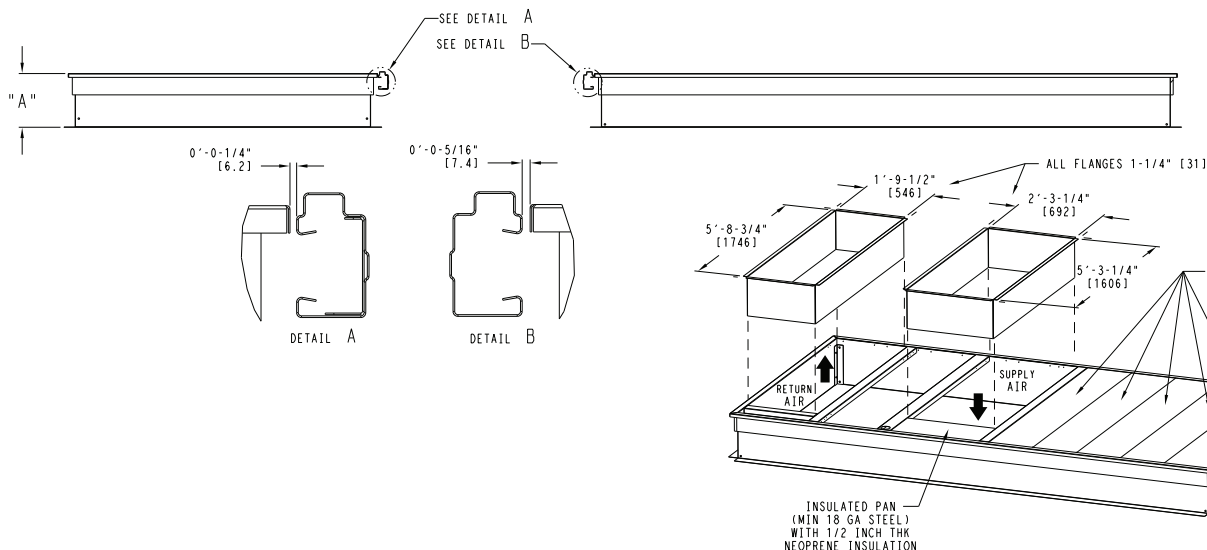
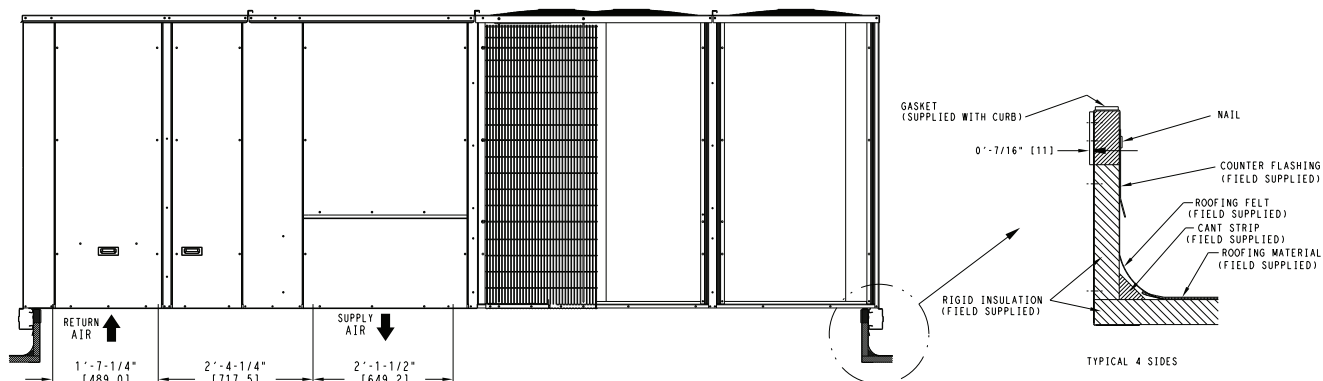
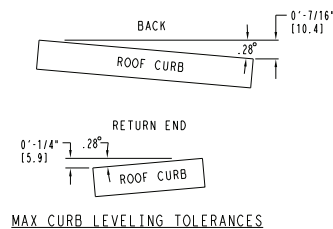


Fig. 21 — Roof Curb Details — Size 28 Units

Step 5 — Field Fabricate Ductwork

Cabinet return-air static pressure (a negative condition) shall not exceed 0.5 in. wg (87 Pa) with or without economizer.

For vertical ducted applications, secure all ducts to roof curb and building structure. Do not connect ductwork to unit.

Fabricate supply ductwork so that the cross sectional dimensions are equal to or greater than the unit supply duct opening dimensions for the first 18 in. (458 mm) of duct length from the unit basepan.

Insulate and weatherproof all external ductwork, joints, and roof openings with counter flashing and mastic in accordance with applicable codes.

Ducts passing through unconditioned spaces must be insulated and covered with a vapor barrier.

If a plenum return is used on a vertical unit, the return should be ducted through the roof deck to comply with applicable fire codes.

⚠ CAUTION

PROPERTY DAMAGE HAZARD

Failure to follow this caution may result in damage to roofing materials.

Membrane roofs can be cut by sharp sheet metal edges. Be careful when placing any sheet metal parts on such roof.

FOR UNITS WITH OPTIONAL OR ACCESSORY ELECTRIC HEATERS

A minimum clearance is not required around ductwork.

⚠ WARNING

PERSONAL INJURY HAZARD

Failure to follow this warning could cause personal injury.

For vertical supply and return units, tools or parts could drop into ductwork and cause an injury. Install a 90 degree turn in the return ductwork between the unit and the conditioned space. If a 90 degree elbow cannot be installed, then a grille of sufficient strength and density should be installed to prevent objects from falling into the conditioned space. Due to electric heater, supply duct will require 90 degree elbow.

Step 6 — Rig and Place Unit

Keep unit upright and do not drop. Spreader bars are not required if top crating is left on the unit. Rollers may be used to move unit across a roof. Level by using unit frame as a reference. See Table 2 and Fig. 22 for additional information.

Lifting holes are provided in base rails as shown in Fig. 22. Refer to rigging instructions on the unit.

⚠ CAUTION

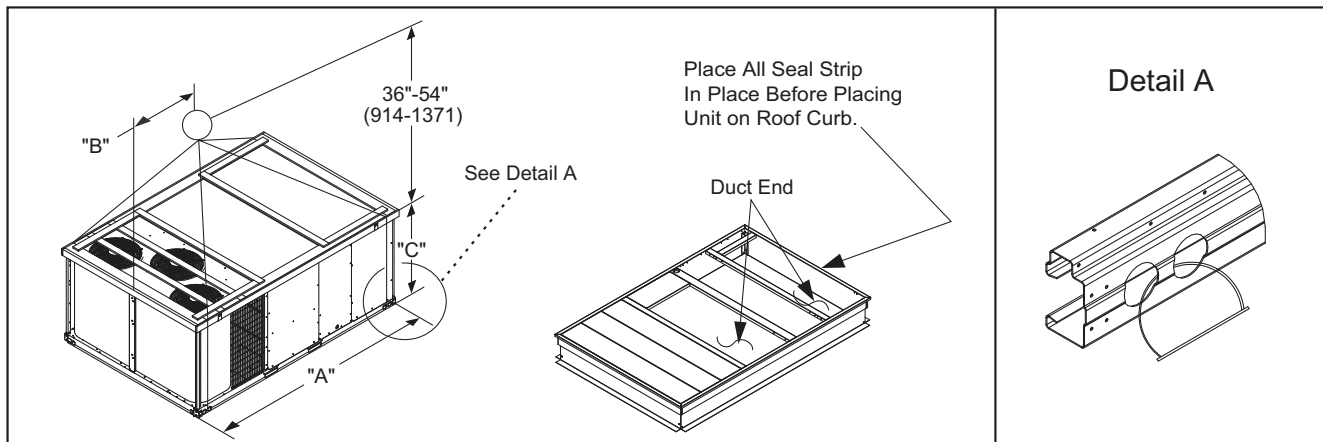
UNIT DAMAGE HAZARD

Failure to follow this caution may result in equipment damage.

All panels must be in place when rigging. Unit is not designed for handling by fork truck when packaging is removed.

If using top crate as spreader bar, once unit is set, carefully lower wooden crate off building roof top to ground. Ensure that no people or obstructions are below prior to lowering the crate.

Before setting the unit onto the curb, recheck gasketing on curb.



UNIT	MAX WEIGHT		DIMENSIONS					
			A		B		C	
	lb	kg	in.	mm	in.	mm	in.	mm
50GE-*17	2874	1304	127.8	3245	71.0	1805	52.3	1330
50GE-*20	3189	1447	141.5	3595	76.5	1945	52.3	1330
50GE-*24	3555	1613	141.5	3595	79.5	2020	60.3	1530
50GE-*28	3661	1661	157.8	4010	87.0	2210	60.3	1530

NOTES:

- Dimensions in () are in millimeters.
- Hook rigging shackles through holes in base rail, as shown in detail "A." Holes in base rails are centered around the unit center of gravity. Use wooden top to prevent rigging straps from damaging unit.

Fig. 22 — Rigging Details

POSITIONING ON CURB

Position unit on roof curb so that the following clearances are maintained: 1/4 in. (6 mm) clearance between the roof curb and the base rail inside the front and back, 5/16 in. (8 mm) clearance between the roof curb and the base rail inside the left and right. This will result in the distance between the roof curb and the base rail being approximately equal to Details A and B in Fig. 19-21.

Do not attempt to slide unit on curb after unit is set. Doing so will result in damage to the roof curb seal.

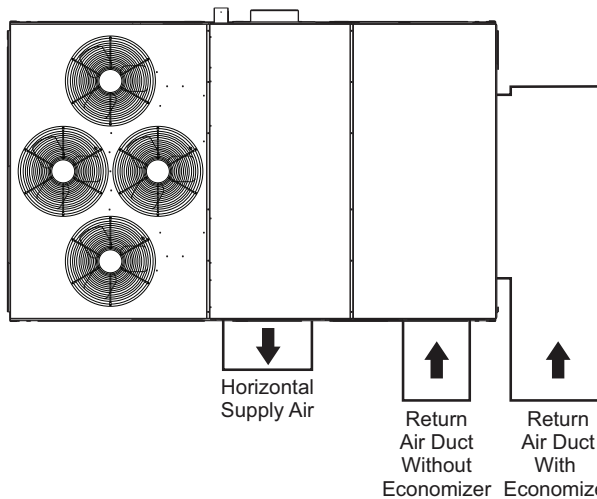
Although unit is weatherproof, guard against water from higher level runoff and overhangs.

After unit is in position, remove rigging skids and shipping materials.

Step 7 — Horizontal Duct Connection

Depending on the unit size, see either Fig. 3 and 4 (size 17), Fig. 8 and 9 (sizes 20 and 24), or Fig. 13 and 14 (size 28) for locations and sizes of the horizontal duct connections. Note that there are 2 different return air duct connection locations – one for unit without an economizer (on back side of unit) and a different one for unit equipped with an economizer (on left end, under the economizer hood). The supply air duct connection is on the back side. See Fig. 23 for top view depicting typical horizontal duct arrangements.

NOTE: 50GE size 17 to 28 units are factory assembled as either dedicated horizontal or vertical units. These units cannot be field converted.



LOCATION	SUPPLY	RETURN WITHOUT ECONOMIZER	RETURN WITH ECONOMIZER
	Back	Back	Left End
Height - in. (mm)	15-7/8 (402)	49-3/8 (1253)	18-3/8 (467)
Width - in. (mm)	29-3/4 (756)	23-3/8 (593)	61-5/8 (1564)

Fig. 23 — Horizontal Duct Opening Dimensions

Field-supplied (3/4 in.) flanges should be attached to horizontal duct openings (see Fig. 23) and all ductwork should be secured to the flanges. Insulate and weatherproof all external ductwork, joints, and roof or building openings with counter flashing and mastic in accordance with applicable codes.

Step 8 — Install Outside Air Hood (Factory Option)

The outside air hood for factory-option economizer and two-position damper is shipped in knock-down form and requires field assembly. The panel for the hood top is shipped on the end of the unit (see Fig. 24). The remaining parts for the hood assembly (including side panels, filters and tracks) are shipped in a carton that is secured to the rear of the blower assembly. Access the carton location through rear panel (see Fig. 25).

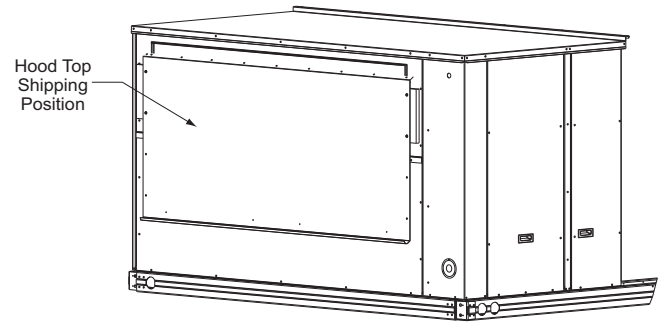


Fig. 24 — Hood Top — Shipping Position

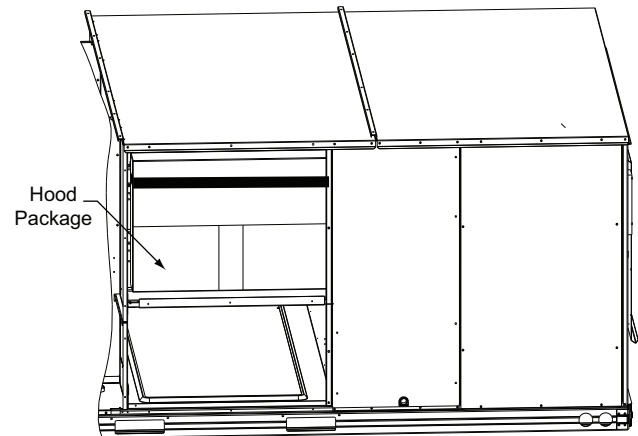


Fig. 25 — Hood Package — Shipping Location

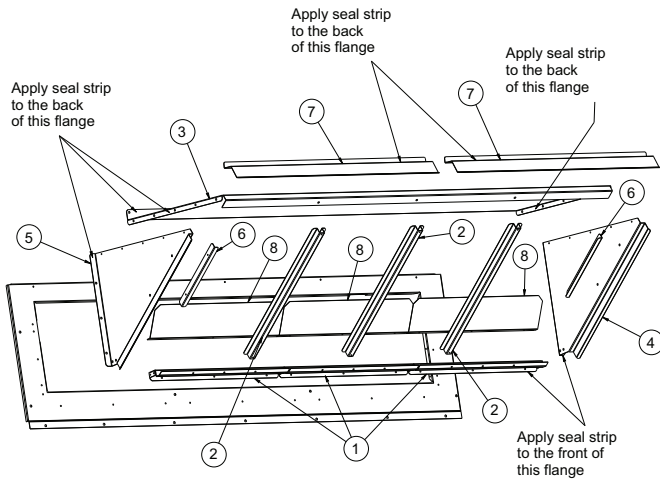
To remove the hood parts package:

1. Remove the back blower access panel.
2. Locate and cut the strap, being careful to not damage any wiring.
3. Carefully lift the hood package carton through the back blower access opening.

To assemble the outside air hood (see Fig. 26 for hood component locations):

1. Remove hood top panel from shipping position on unit end.
2. Install filter supports (Item 1) to the upper end panel using the screws provided.
3. Install each deflector (Item 8) on to each filter support (Item 1) using the screws provided.
4. Apply seal strip to mating flanges on side panels of hood (Items 4 and 5).
5. Secure side panels (Items 4 and 5) to upper panel using the screws provided.
6. Apply seal strip to mating flange of the hood (see Fig. 26).
7. Secure hood top (Item 3) to upper panel using the screws provided. (On 44-in. chassis, remove the screws from across top cover of unit. The rear flange of hood top will slide behind unit top over flange.)
8. Secure side retainers (Item 6) to side panels (Items 4 and 5) using the screws provided, screwing from outside of the hood.
9. Secure each central retainer (Item 2) to the hood top (Item 3). Then align central retainers to holes located on filter support (Item 1), so central retainer is perpendicular to hood and each filter support. Secure using screws provided.
10. Apply seal strip to top diverters (Item 7).
11. Secure top diverters (Item 7) to hood top (Item 3).

12. Install outdoor air screens by sliding them into each of the four spaces created by the hood, filter support and central retainers. To do so, first insert the air screens into pocket created at the end of hood (Item 3), then fully put the air screen into place, and then slide them back into pocket created in the filter support (Item 1). Repeat this for each air screen (see Fig. 27). See Fig. 28 for completed hood assembly.



ITEM	DESCRIPTION	QTY
1	Filter Supports	3
2	Central Retainer	3
3	Hood Top	1
4	Left Hood Side	1
5	Right Hood Side	1
6	Side Retainer	2
7	Top Diverters	2
8	Deflector	3

Fig. 26 — Hood Part Identification and Seal Strip Application Areas

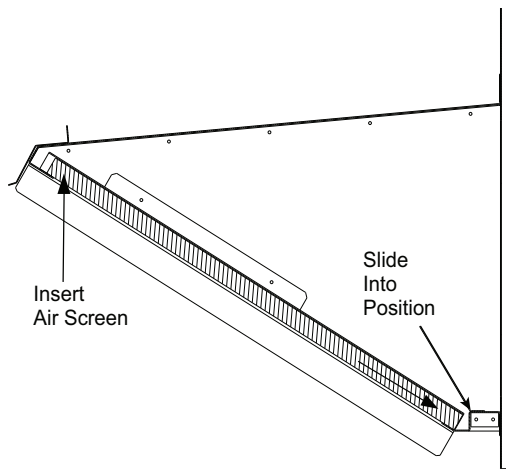


Fig. 27 — Outdoor Air Screen Installation

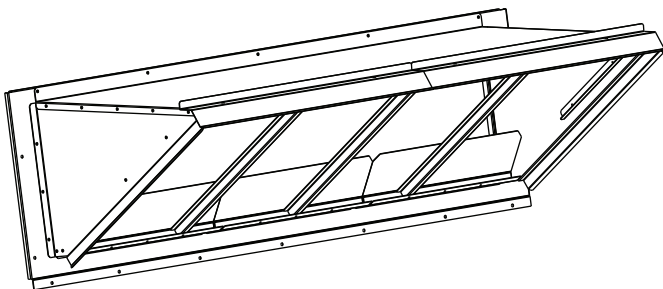


Fig. 28 — Completed Hood Assembly

Step 9 — Assemble Barometric Hood

The barometric hood can be assembled in vertical or horizontal configuration. Figure 29 illustrates the barometric hood parts.

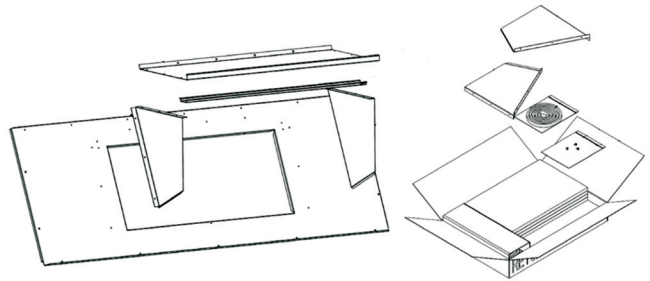


Fig. 29 — Barometric Hood Parts

BAROMETRIC HOOD (VERTICAL CONFIGURATION)

1. Remove the hood top panel from its shipping position on the unit end (see Fig. 30).

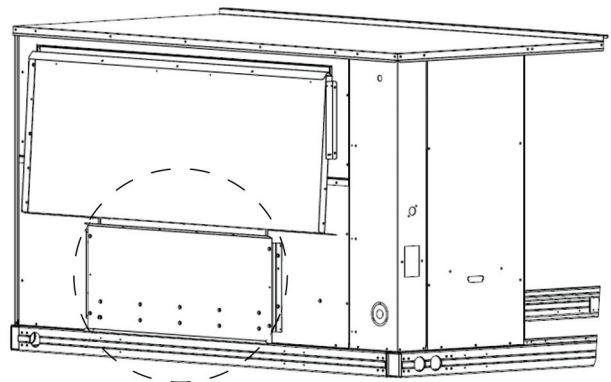


Fig. 30 — Shipping Location, Vertical Units

2. Remove the side panels located in the hood parts box (see Fig. 31).

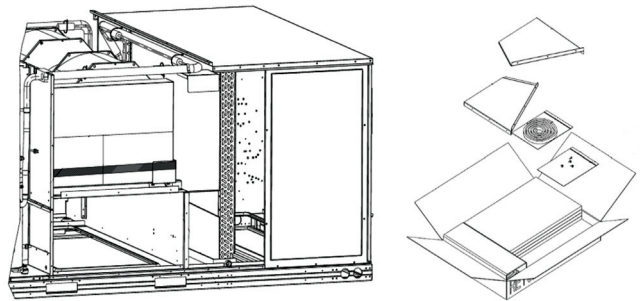


Fig. 31 — Barometric Hood Box Parts Location

3. Install parts as shown in the following exploded view (see Fig. 32) using the seal strip and screws provided in the parts box.

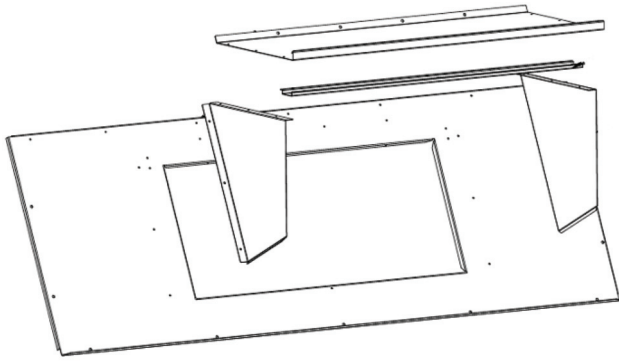


Fig. 32 – Barometric Hood Exploded View

Figure 33 illustrates the installed barometric hood parts.

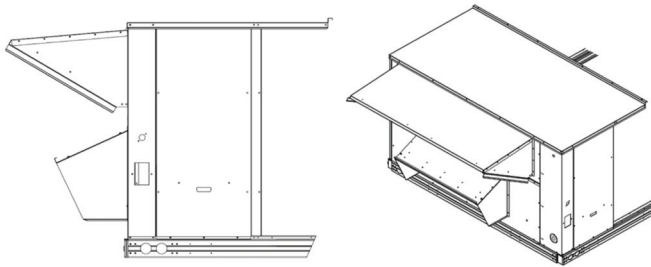


Fig. 33 – Installed Barometric Hood Side View and Isometric View

BAROMETRIC HOOD (HORIZONTAL CONFIGURATION)

For horizontal return and field installed economizer, install the economizer as follows:

1. Install the field provided horizontal ductwork onto the unit. Duct height must be at least 19-1/2 in. (495 mm) high, however the duct can be no taller than the top of the relief opening in the bottom panel, or airflow into the outside air hood will be restricted. See Fig. 34.
2. Cut a 16 in. x 36 in. (406 mm x 914 mm) opening in the return duct for the relief damper (see Fig. 34).

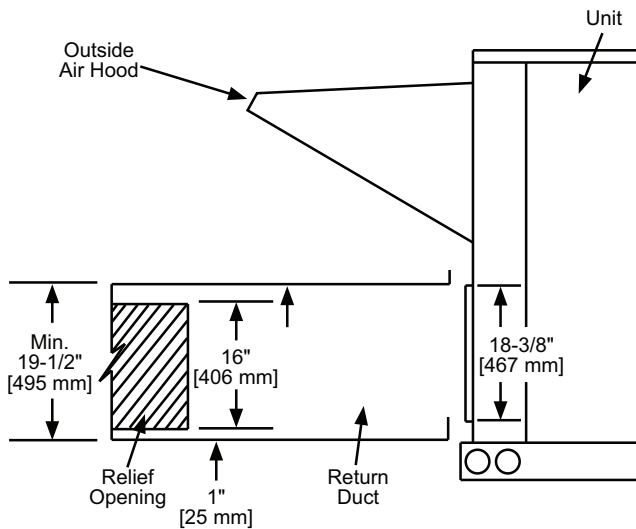


Fig. 34 – Relief Damper

3. On the field installed economizer (CRECOMZR0**A00), a birdscreen or hardware cloth is shipped attached to the bottom panel used for vertical applications.

NOTE: This panel is not used for horizontal return applications. Remove the screen from the provided panel and install it over the relief opening cut in return duct.

4. Using the blade brackets, install the relief damper onto the side of the return duct (see Fig. 35). The two brackets and relief damper are provided with the economizer.

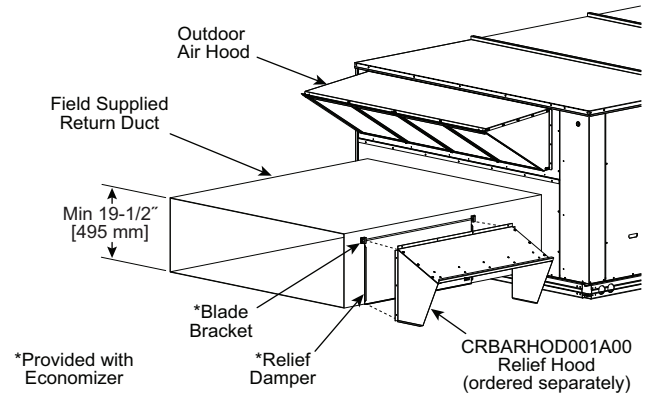


Fig. 35 – Installing CRBARHOD001A00 Over Relief Damper

5. Using the provided hardware, screw the CRBARHOD001A00 hood sides and top together (see Fig. 36).

NOTE: CRBARHOD001A00 is a separate accessory that must be ordered with the unit and ships in a separate box.

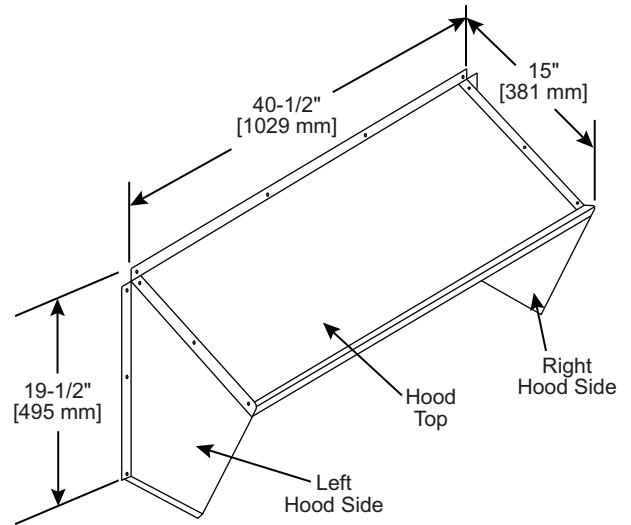


Fig. 36 – CRBARHOD001A00 Hood Sides and Top

Caulk the backside of the mating flanges to ensure a watertight seal. Install the CRBARHOD001A00 over the relief damper and screw to the return duct, as illustrated in Fig. 35.

Step 10 – Install External Condensate Trap and Line

The unit has one 3/4 in. condensate drain connection on the end of the condensate pan (see Fig. 37). See Fig. 4, 9, and 14 for the location of the condensate drain connection.

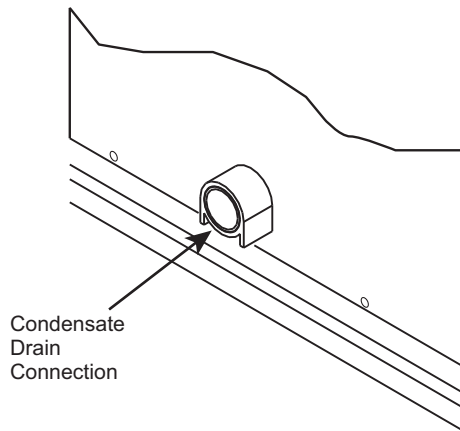
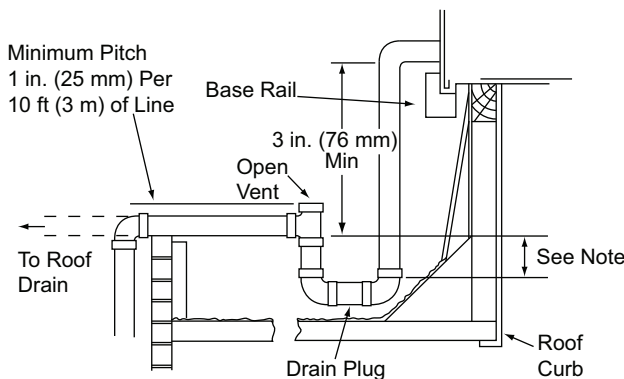


Fig. 37 — Condensate Drain Pan Connection

The piping for the condensate drain and external trap can be completed after the unit is in place. Hand tighten fittings to the drain pan fitting. Provide adequate support for the drain line. Failure to do so can result in damage to the drain pan. See Fig. 38.



NOTE: Trap should be deep enough to offset maximum unit static difference. A 4 in. (102 mm) trap is recommended.

Fig. 38 — Condensate Drain Piping Details

All units must have an external trap for condensate drainage. Install a trap at least 4 in. (102 mm) deep and protect against freeze-up. If drain line is installed downstream from the external trap, pitch the line away from the unit at 1 in. per 10 ft (25 mm in 3 m) of run. Do not use a pipe size smaller than the unit connection (3/4 in.).

Step 11 — Make Electrical Connections

⚠ WARNING

ELECTRIC SHOCK HAZARD

Failure to follow this warning could result in personal injury or death.

Unit cabinet must have an uninterrupted, unbroken electrical ground to minimize the possibility of personal injury if an electrical fault should occur. This ground may consist of electrical wire connected to unit ground lug in control compartment, or conduit approved for electrical ground when installed in accordance with NEC; ANSI/NFPA 70, latest edition (in Canada, Canadian Electrical Code CSA [Canadian Standards Association] C22.1), and local electrical codes.

NOTE: Field-supplied wiring shall conform with the limitations of minimum 63°F (33°C) rise.

FIELD POWER SUPPLY

If equipped with optional powered convenience outlet: the power source leads to the convenience outlet's transformer primary are not factory connected. Installer must connect these leads according to required operation of the convenience outlet. If an always-energized convenience outlet operation is desired, connect the source leads to the line side of the unit-mounted disconnect. (Check with local codes to ensure this method is acceptable in your area.) If a de-energize via unit disconnect switch operation of the convenience outlet is desired, connect the source leads to the load side of the unit disconnect. On a unit without a unit-mounted disconnect, connect the source leads to the line side with unit field power leads. See Fig. 39.

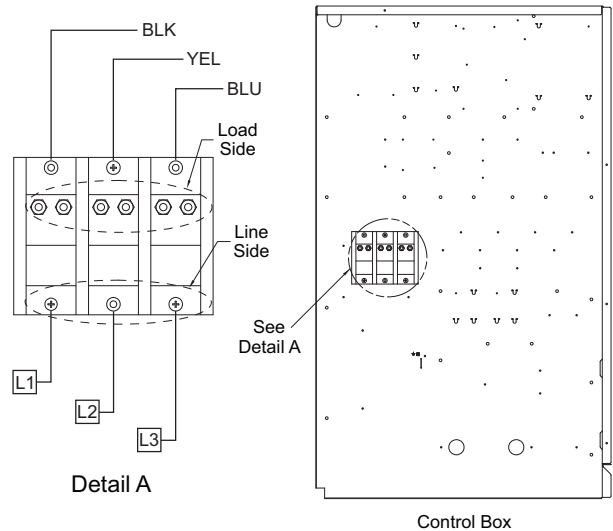


Fig. 39 — Location of TB1

Field power wires are connected to the unit at line-side pressure lugs on the terminal block (see wiring diagram label for control box component arrangement) or at factory-installed option non-fused disconnect switch. Use copper conductors only. See Fig. 40.

NOTE: Make field power connections directly to line connection pressure lugs only.

⚠ WARNING

FIRE HAZARD

Failure to follow this warning could result in personal injury, death, or property damage.

Do not connect aluminum wire between disconnect switch and unit. Use only copper wire.

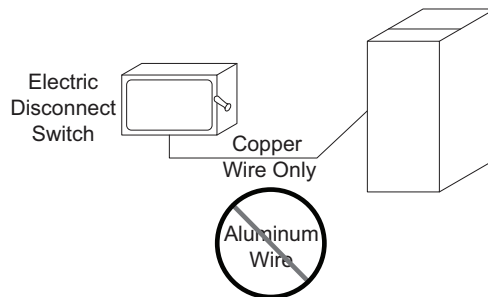


Fig. 40 — Disconnect Switch and Unit

UNITS WITHOUT FACTORY-INSTALLED NON-FUSED DISCONNECT OR HACR

When installing units, provide a disconnect switch of adequate size per NEC (National Electrical Code). Disconnect sizing data is provided on the unit informative plate. Locate on unit cabinet or

within sight of the unit per national or local codes. Do not cover unit informative plate if mounting the disconnect on the unit cabinet.

UNITS WITH FACTORY-INSTALLED NON-FUSED DISCONNECT OR HACR

The factory-installed option non-fused disconnect switch (NFD) or HACR is located in the main control box. The manual switch handle and shaft are shipped in the control box and must be mounted on the corner post adjacent to the control box (see Fig. 41 or 42). Note that the tape covering the hole for the shaft in the corner post must be removed prior to handle and shaft installation.

To field install the NFD shaft and handle:

1. Open the control box panel.
2. Make sure the NFD shipped from the factory is at OFF position (the arrow on the black handle knob or on the silver metal collar is at OFF).
3. Insert the shaft with the cross pin on the top of the shaft in the horizontal position.
4. Measure the tip of the shaft to the outside surface of the corner post to be 0.88 inches.
5. Tighten the locking screw to secure the shaft to the NFD.
6. Turn the handle to the OFF position with red arrow pointing at OFF.
7. Install the handle on to the corner post vertically with the red arrow pointing up.
8. Secure the handle to the corner post with (2) screws and lock washers supplied.

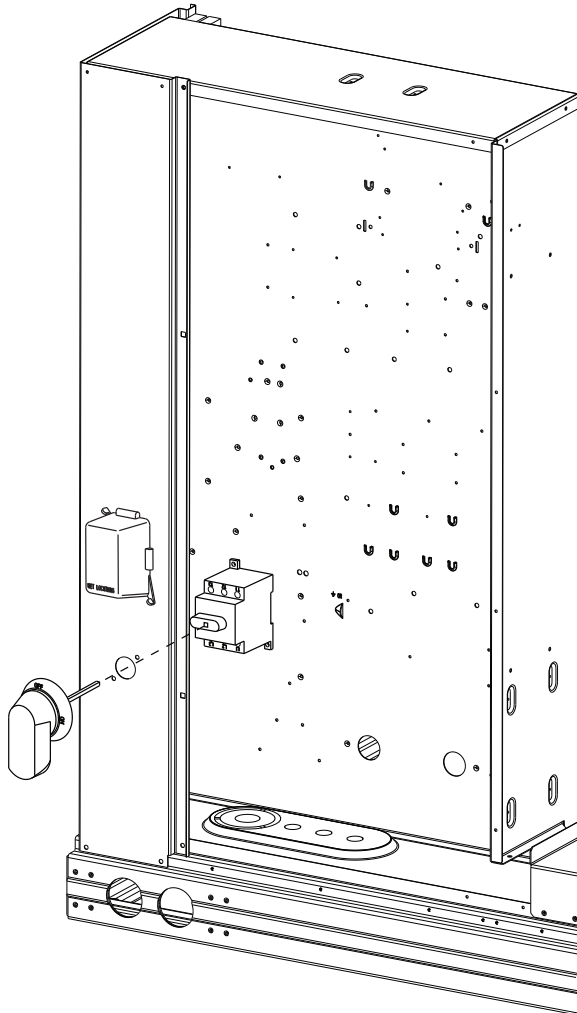


Fig. 41 — Handle and Shaft Assembly for NFD

To field install the HACR shaft and handle:

1. Open the control box panel.
2. Make sure the HACR shipped from the factory is at OFF position (the white arrow pointing at OFF).
3. Insert the shaft all the way with the cross pin on the top of the shaft in the horizontal position.
4. Measure the tip of the shaft to the outside surface of the corner post to be 0.88 inches.
5. Tighten the locking screw to secure the shaft to the HACR.
6. Turn the handle to the OFF position with red arrow pointing at OFF.
7. Install the handle on to the corner post vertically with the red arrow pointing up.
8. Secure the handle to the corner post with (2) screws and lock washers supplied.

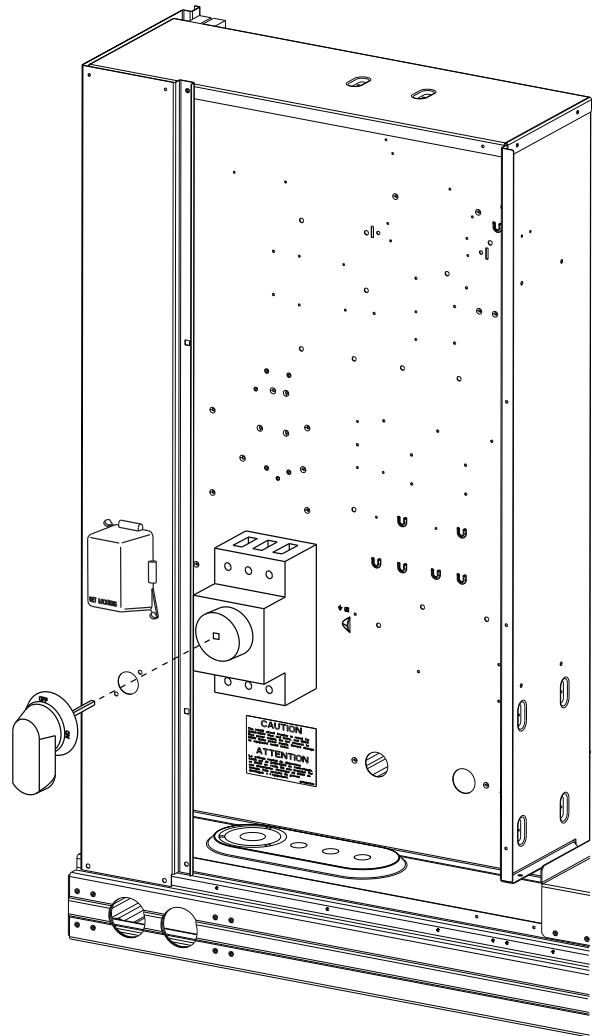


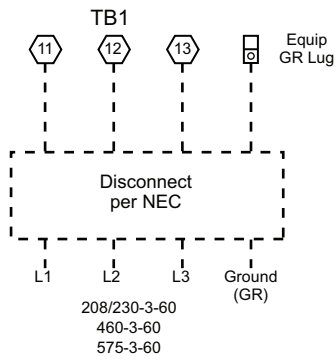
Fig. 42 — Handle and Shaft Assembly for HACR

ALL UNITS

All field wiring must comply with NEC and all local code requirements.

Size wire based on MCA (Minimum Circuit Amps) on the unit informative plate. See Fig. 43 for power wiring connections to the unit power terminal block and equipment ground. Maximum wire size is 2/0 AWG per pole.

Units Without Disconnect or HACR Option



Units With Disconnect or HACR Option

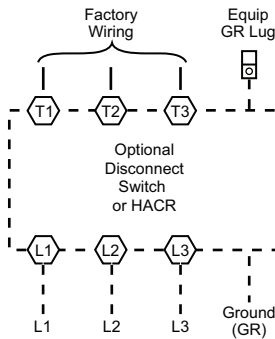


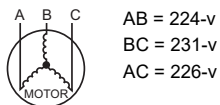
Fig. 43 — Power Wiring Connections

Provide a ground-fault and short-circuit over-current protection device (fuse or breaker) per NEC Article 440 (or local codes). Refer to unit informative data plate for MOCP (Maximum Over-current Protection) device size.

Voltage to compressor terminals during operation must be within voltage range indicated on unit nameplate. On 3-phase units, voltages between phases must be balanced within 2% and the current within 10%. Use the following formula to determine the percent of voltage imbalance.

$$\% \text{ Voltage Imbalance} = 100 \times \frac{\text{max voltage deviation from average voltage}}{\text{average voltage}}$$

Example: Supply voltage is 230-3-60



$$\text{Average Voltage} = \frac{(224 + 231 + 226)}{3} = \frac{681}{3} = 227$$

Determine maximum deviation from average voltage.

(AB) 227-224 = 3-v

(BC) 231-227 = 4-v

(AC) 227-226 = 1-v

Maximum deviation is 4-v.

Determine percent of voltage imbalance.

$$\% \text{ Voltage Imbalance} = 100 \times \frac{4}{227} = 1.76\%$$

This amount of phase imbalance is satisfactory as it is below the maximum allowable 2%.

IMPORTANT: If the supply voltage phase imbalance is more than 2%, contact your local electric utility company immediately.

CAUTION

UNIT DAMAGE HAZARD

Failure to follow this caution may result in equipment damage. Operation on improper line voltage or excessive phase imbalance constitutes abuse and may cause damage to electrical components. Such operation would invalidate any applicable Carrier warranty.

CONVENIENCE OUTLETS

WARNING

ELECTRICAL OPERATION HAZARD

Failure to follow this warning could result in personal injury or death.

Units with convenience outlet circuits may use multiple disconnects. Check convenience outlet for power status before opening unit for service. Locate its disconnect switch, if appropriate, and open it. Lock-out and tag-out this switch, if necessary.

Two types of convenience outlets are offered on 50GE models: non-unit powered and unit-powered. Both types provide a 125-v GFCI (ground-fault circuit-interrupter) duplex receptacle rated at 15-A behind a hinged access cover, located on the corner panel of the unit. See Fig. 44.

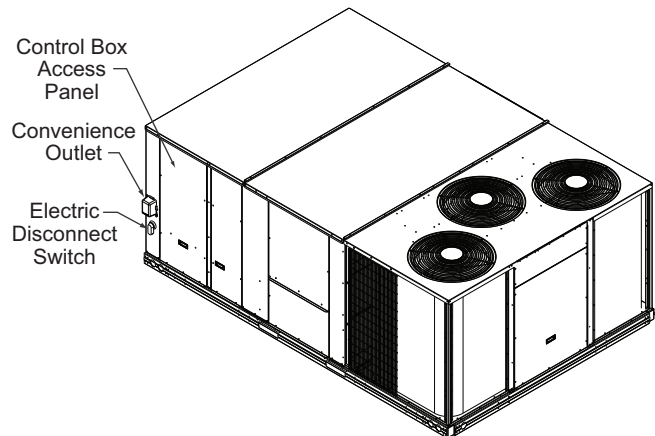


Fig. 44 — Convenience Outlet Location

Installing Weatherproof Cover

A weatherproof while-in-use cover for the factory-installed convenience outlets is now required by UL standards. This cover cannot be factory-mounted due to its depth; it must be installed at unit installation. For shipment, the convenience outlet is covered with a blank cover plate.

The weatherproof cover kit is shipped in the unit's control box. The kit includes the hinged cover, a backing plate and gasket.

Disconnect all power to unit and convenience outlet. Lock-out and tag-out all power.

Remove the blank cover plate at the convenience outlet; discard the blank cover.

Loosen the two screws at the GFCI duplex outlet, until approximately 1/2 in. (13 mm) under screw heads are exposed. Press the gasket over the screw heads. Slip the backing plate over the screw heads at the keyhole slots and align with the gasket; tighten the two screws until snug (do not over-tighten).

Mount the weatherproof cover to the backing plate as shown in Fig. 45. Remove two slot fillers in the bottom of the cover to

permit service tool cords to exit the cover. Check for full closing and latching.

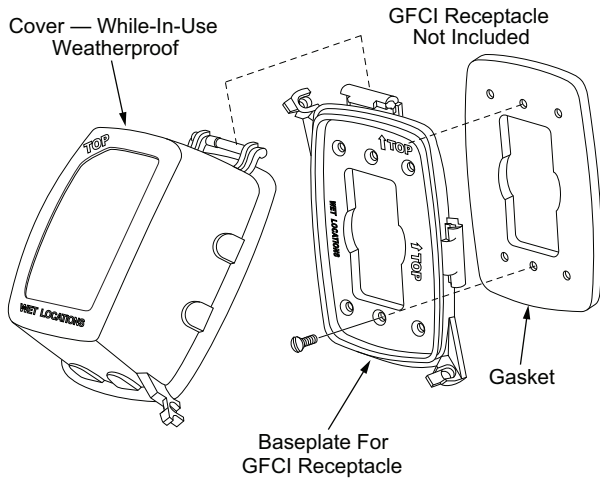


Fig. 45 — Weatherproof Cover Installation

Non unit-powered type

Requires the field installation of a general-purpose 125-v 15-A circuit powered from a source elsewhere in the building. Observe national and local codes when selecting wire size, fuse or breaker requirements and disconnect switch size and location. Route 125-v power supply conductors into the bottom of the utility box containing the duplex receptacle.

Unit-powered type

A unit-mounted transformer which is factory-installed to step-down the main power supply voltage to the unit to 115-v at the duplex receptacle. This option also includes a manual switch with fuse, located in a utility box and mounted on a bracket behind the convenience outlet; access is through the unit's control box access panel. See Fig. 46.

The primary leads to the convenience outlet transformer are not factory-connected. If local codes permit, the transformer primary leads can be connected at the line-side terminals on the unit-mounted non-fused disconnect switch; this will provide service power to the unit when the unit disconnect switch is open. See Fig. 46. See Fig. 47 for convenience outlet utilization precautions.

Test the GFCI receptacle by pressing the TEST button on the face of the receptacle to trip and open the receptacle. Check for proper grounding wires and power line phasing if the GFCI receptacle does not trip as required. Press the RESET button to clear the tripped condition.

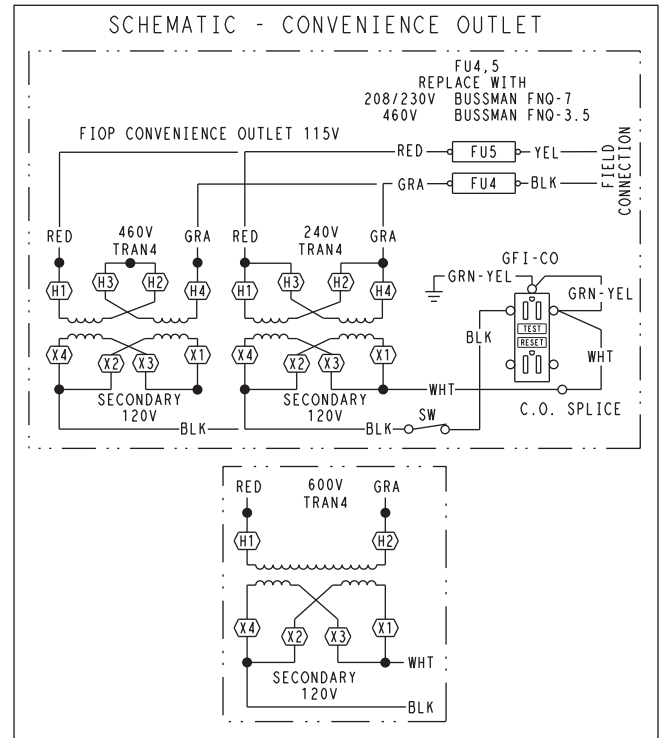
Using unit-mounted convenience outlets: Units with unit-mounted convenience outlet circuits will often require that two disconnects be opened to de-energize all power to the unit. Treat all units as electrically energized until the convenience outlet power is also checked and de-energization is confirmed. Observe National Electrical Code Article 210, Branch Circuits, for use of convenience outlets.

FACTORY-OPTION THRU-BASE CONNECTIONS (ELECTRICAL CONNECTIONS)

All units are equipped with the ability to bring utilities through the base.

The electrical entrance is located in the control box area and can be accessed through the control box access panel. An embossed area is provided with three knock outs. High voltage is brought through the multi knock out by removing the appropriate size for the size of the fitting required. A 7/8 in. knock out is provided for low voltage. An additional 7/8 in. knock out is provided for a 115-v line which is used when the unit is equipped with the non-unit powered convenience outlet option.

All required fittings are field supplied. Install fittings when access to both top and bottom of the base pan is available.



UNIT VOLTAGE	CONNECT AS	PRIMARY CONNECTIONS	TRANSFORMER TERMINALS
208, 230	240	L1: RED+YEL L2: BLU+GRA	H1+H3 H2+H4
460	480	L1: RED Splice BLU+YEL L2: GRA	H1 H2+H3 H4
575	600	L1: RED L2: GRA	H1 H2

Fig. 46 — Powered Convenience Outlet Wiring

NOTICE/AVIS

Convenience Outlet Utilization

Maximum Intermittent Use 15 - Amps
Maximum Continuous Use 8 - Amps
Observe a 50% limit on the circuit
Loading above 8 - Amps

Utilisation de la prise utilitaire

Usage intermittent maximum 15 - Amps
Usage continu maximum 8 - Amps
Observez une limite de 50% sur le circuit
Chargement au-dessus de 8 - Amps

50HE501288 2.0

Fig. 47 — Convenience Outlet Utilization Notice

Units Without Thru-Base Connections

1. Install liquid tight conduit between disconnect and control box.
2. Pull correctly rated high voltage wires through the conduit.
3. Install power lines to terminal connections as shown in Fig. 43.

Field Control Wiring

The 50GE unit requires an external temperature control device. This device can be a thermostat (field-supplied) or a SystemVu™ controller (available as factory-installed option for use on a Carrier Comfort Network® or as a stand-alone control).

All low-voltage wiring should be routed through the provided wire ties (see Fig. 48) down the left side of the control box or secured to the unit control box with an electrical conduit in order to provide UL-required clearance between high-voltage and low voltage wiring.

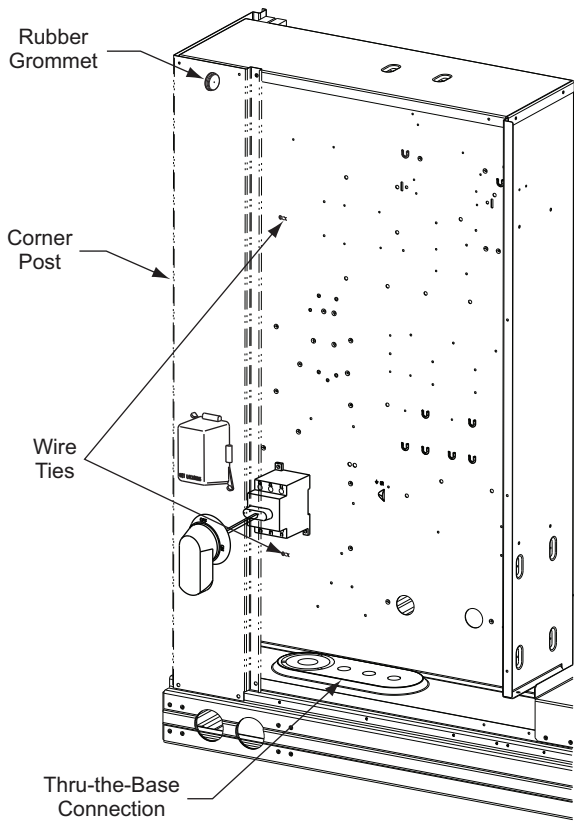


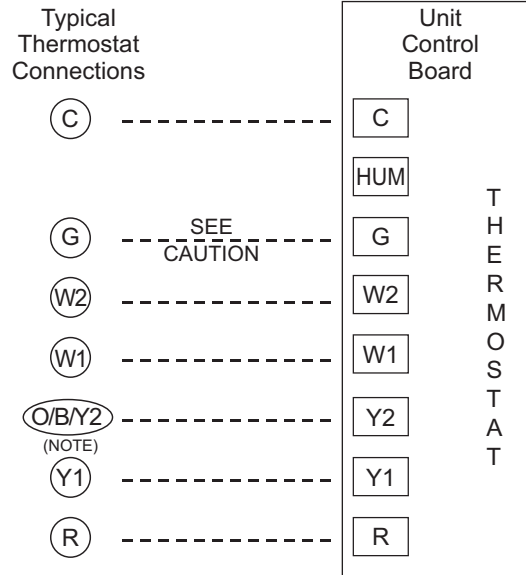
Fig. 48 — Wire Ties for Low Voltage Wiring

Thermostat

Install a Carrier-approved accessory 2-stage or 3-stage thermostat according to installation instructions included with the accessory. Locate the thermostat accessory on a solid wall in the conditioned space to sense average temperature in accordance with the thermostat installation instructions.

When electric heat is installed in the 50GE unit, the thermostat must be capable of energizing the G terminal (to energize the Indoor Fan Contactor) whenever there is a space call for heat (energizing the W1 terminal). The accessory thermostats listed on the unit price pages can provide this signal but they are not configured to enable this signal as shipped.

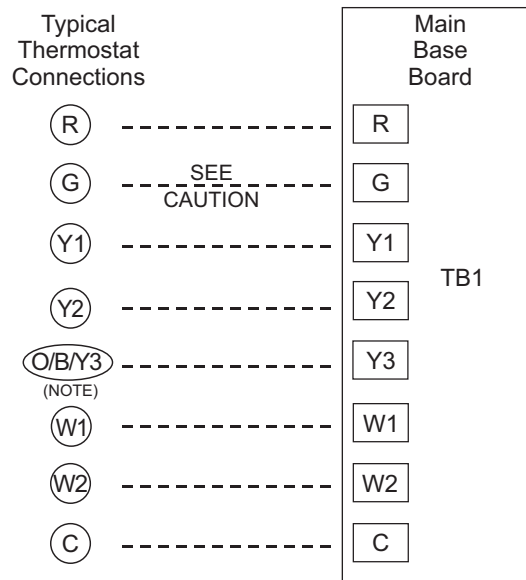
See Fig. 49 and 50 for typical low voltage control connections.



NOTE: Typical multi-function marking. Follow manufacturer's configuration Instructions to select Y2.

--- Field Wiring

Fig. 49 — Typical Low-Voltage Control Connections 2-Stage Units



NOTE: Typical multi-function marking. Follow manufacturer's configuration Instructions to select Y3.

--- Field Wiring

Fig. 50 — Typical Low-Voltage Control Connections 3-Stage Units

⚠ CAUTION

UNIT DAMAGE HAZARD

Failure to follow this caution may cause a short circuit.

Carefully check the connection of control conductor for indoor fan control at terminal G. Connecting the indoor fan lead to terminal C will cause a short circuit condition, which can cause component damage inside the unit or at the thermostat.

If the thermostat contains a logic circuit requiring 24-v power, use a thermostat cable or equivalent single leads of different colors with minimum of seven leads. If the thermostat does not require a 24-v source (no "C" connection required), use a thermostat cable or equivalent with minimum of six leads. Check the thermostat installation instructions for additional features which might require additional conductors in the cable.

For wire runs up to 50 ft (15 m), use no. 18 AWG (American Wire Gage) insulated wire (35°C minimum). For 50 to 75 ft (15 to 23 m), use no. 16 AWG insulated wire (35°C minimum). For over 75 ft (23 m), use no. 14 AWG insulated wire (35°C minimum). All wire sizes larger than no. 18 AWG cannot be directly connected to the thermostat and will require a junction box and splice at the thermostat.

Unit Without Thru-Base Connection Kit

Correctly rated low voltage wire can be routed through the rubber grommet located on the corner post adjacent to the control box access panel. Route wire through the grommet and then route the wire behind the corner post utilizing the factory provided wire ties secured to the control box. This will ensure separation of the field low voltage wire and the high voltage circuit. Route the low voltage wire to the unit control board. See Fig. 48.

NOTE: If utilizing the through the base connections, route the low voltage wire through the wire ties to the unit control board.

Configure for Electric Heat

To configure the factory-approved thermostat, open the Advanced Setup menu, scroll down to ELECTRIC HEAT and change RANGE value from OFF to ON. Consult the thermostat installation instructions for full details.

Heat Anticipator Settings

Set heat anticipator settings at 0.14 amp for the first stage and 0.14 amp for second-stage heating.

Transformer Connection for 208-v Power Supply

All units except 208/230-v units are factory wired for the voltage shown on the nameplate. *If the 208/230-v unit is to be connected to a 208-v power supply, the control transformer must be rewired by moving the black wire with the 1/4 in. female spade connector from the 230-v connection and moving it to the 208-v 1/4 in. male terminal on the primary side of the transformer.* Refer to unit label diagram for additional information.

ELECTRIC HEATERS

The 50GE units may be equipped with factory-installed or field-installed accessory electric heaters. The heaters are modular in design.

Heater modules are installed in the compartment below the indoor blower access panel. Access is through the electric heat access panel. Heater modules slide into the compartment on tracks along the bottom of the heater opening. See Fig. 51-53. Refer to the Electric Heater Kit Installation Instructions for complete details.

Not all available heater modules may be used in every unit. Use only those heater modules that are approved for use in a specific size unit. Refer to the label on the unit cabinet for the list of approved heaters.

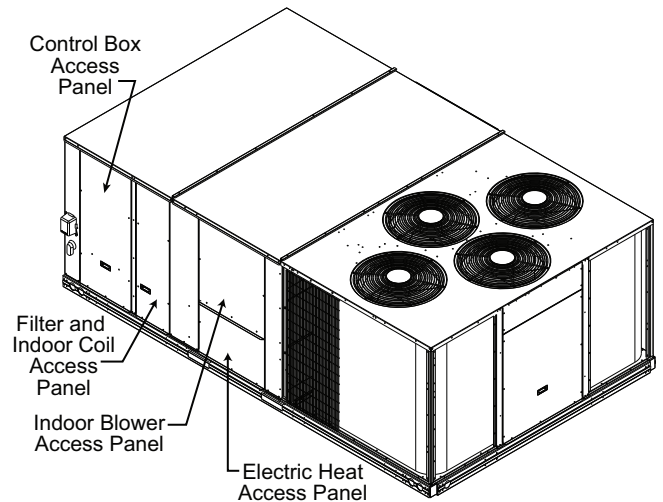


Fig. 51 — Typical Access Panel Locations

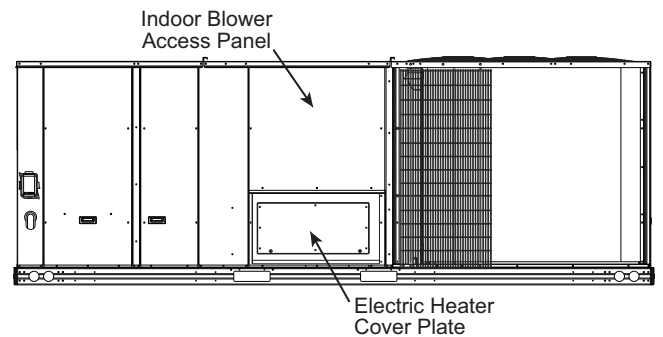


Fig. 52 — Electric Heater Compartment with Cover Plate

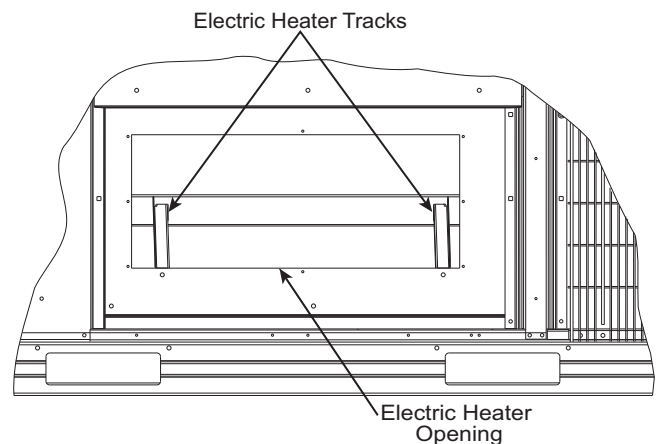


Fig. 53 — Electric Heater Compartment (Cover Plate Removed)

Low-Voltage Control Connections

Locate the plug assembly in the electric heater section of the main unit. Connect the plug with the mating low voltage plug located on the heater. See Fig. 54.

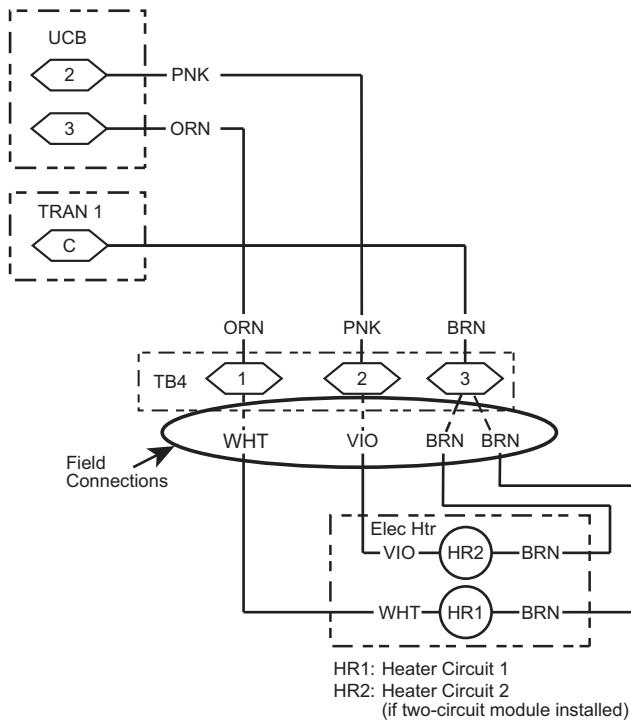


Fig. 54 — Accessory Electric Heater Control Connections

Humidi-MiZer® Control Connections

HUMIDI-MIZER – SPACE RH CONTROLLER

NOTE: The Humidi-MiZer system is a factory-installed option which is available for size 17, 20, 24 and 28 units equipped with RTPF condenser coils.

The Humidi-MiZer dehumidification system requires a field-supplied and installed space relative humidity control device. This device may be a separate humidistat control (contact closes on rise in space RH above control setpoint, see Fig. 55) or a combination thermostat-humidistat control device such as Carrier's Edge® Pro Thermidistat™ device with isolated contact set for dehumidification control (see Fig. 56). The humidistat is normally used in applications where a temperature control is already provided (units with SystemVu™ control).

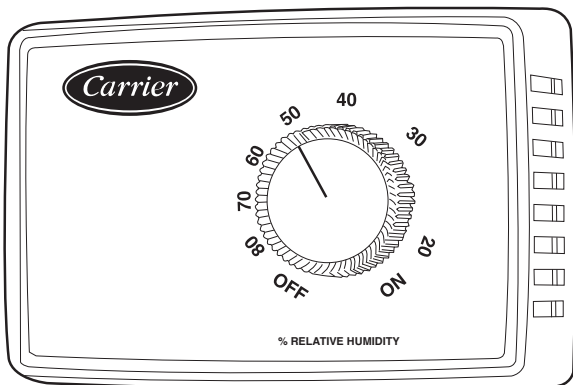


Fig. 55 — Accessory Field-Installed Humidistat



Fig. 56 — Edge® Pro Thermidistat

To connect the Carrier humidistat (HL38MG029):

1. Route the humidistat 2-conductor cable (field-supplied) through hole provided in the unit corner post.
2. Feed wires through the raceway built into the corner post (see Fig. 48) to the 24 v barrier located on the left side of the control box. The raceway provides the UL-required clearance between high-voltage and low-voltage wiring.
3. Connect one of the leads from the 2-conductor cable to the HUM terminal on the UCB (Unit Control Board). Connect the other lead to the R terminal on the UCB. See Fig. 57 - 59.

To connect the Thermidistat device (33CS2PPRH-03):

1. Route the Thermidistat multi-conductor thermostat cable (field-supplied) through hole provided in the unit corner post.
2. Feed wires through the raceway built into the corner post (see Fig. 48) to the 24 v barrier located on the left side of the control box. The raceway provides the UL-required clearance between high-voltage and low-voltage wiring.
3. The Thermidistat has dry contacts at terminals D1 and D2 for dehumidification operation (see Fig. 60). Connect D1 to the R terminal on the UCB. Connect D2 to the HUM terminal on the UCB. Refer to the installation instructions included with the Carrier Edge® Pro Thermidistat device for more information.

NOTE: 3-stage System Vu units require a 3-stage cooling thermostat device and are not compatible with Carrier's Edge Pro thermidistat.

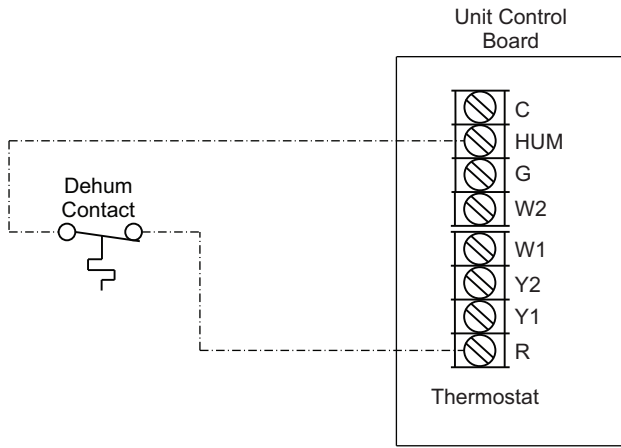


Fig. 57 — Humidistat Connections to UCB (2-Stage Electromechanical Units)

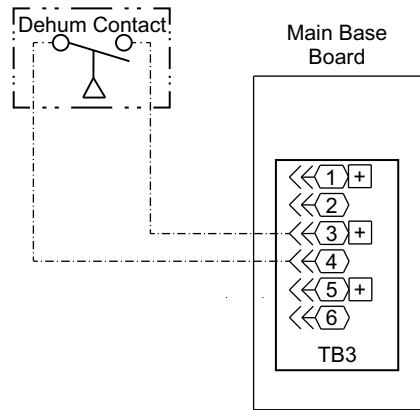


Fig. 59 — Humidistat Connections to MBB (3-Stage SystemVu Units)

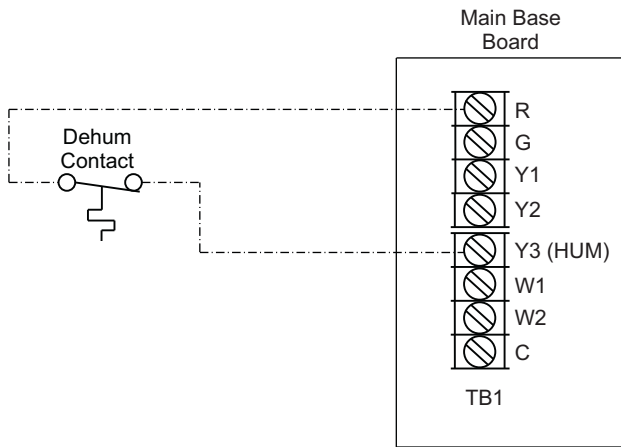


Fig. 58 — Humidistat Connections to MBB (2-Stage SystemVu Units)

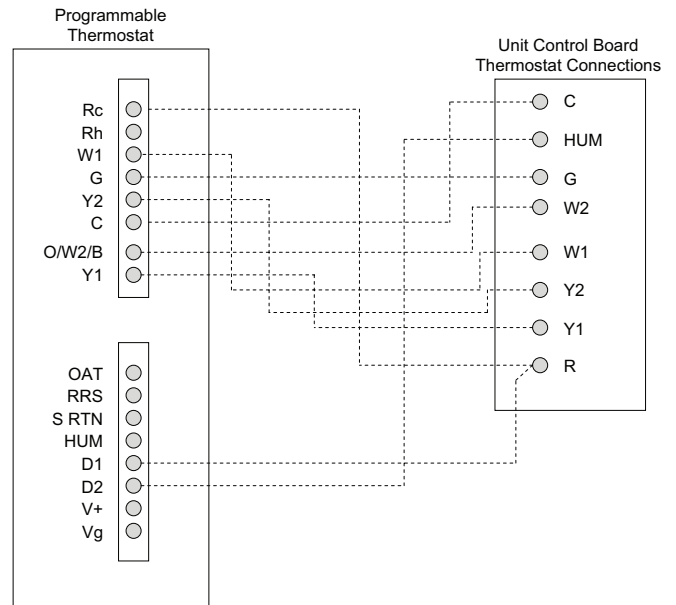


Fig. 60 — 50GE-*17-28 Unit with Humidi-MiZer Adaptive Dehumidification System with Edge® Pro Thermidistat Device

Typical Unit Wiring Diagrams

See Fig. 61-69 for examples of typical unit control and power wiring diagrams. These wiring diagrams are mounted on the inside of the unit control box. Refer to the wiring diagrams in the unit control box when making field power wiring connections.

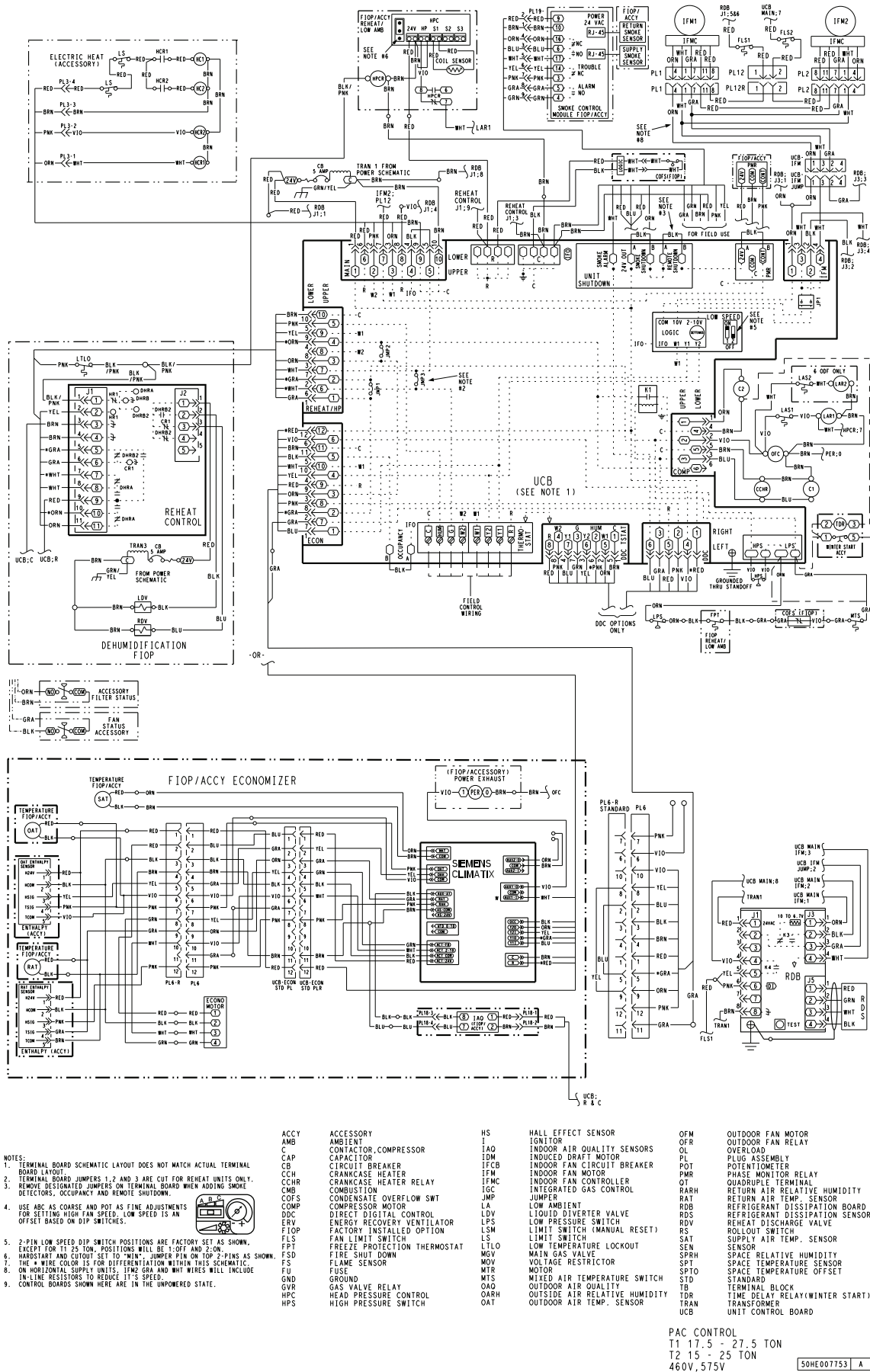


Fig. 61 — Typical 2-Stage 50GE*17-28 Control Wiring Diagram, Electromechanical with POL224 Controller

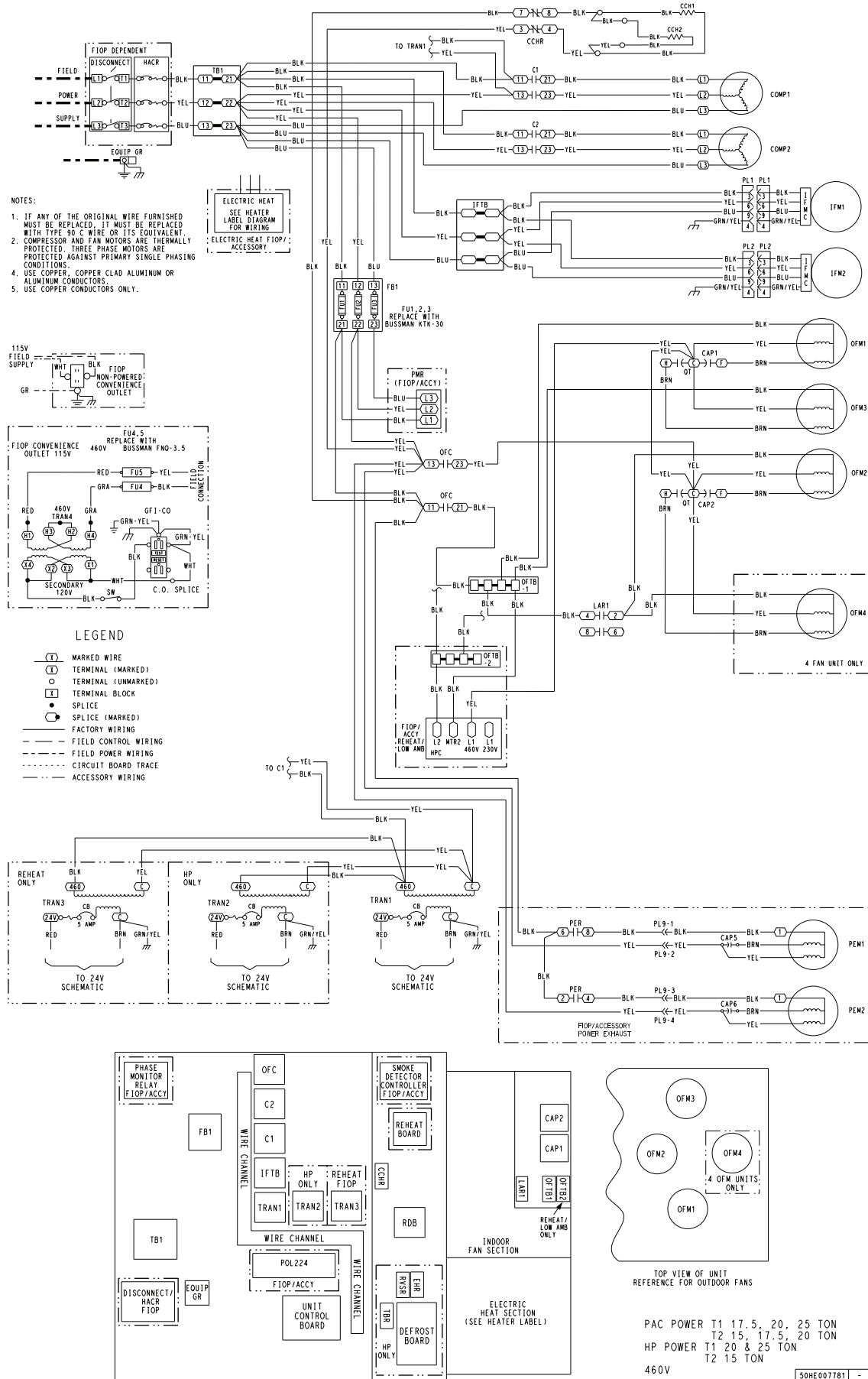


Fig. 62 — Typical 2-Stage 50GE-*17-24 Power Wiring Diagram, Electromechanical Controller

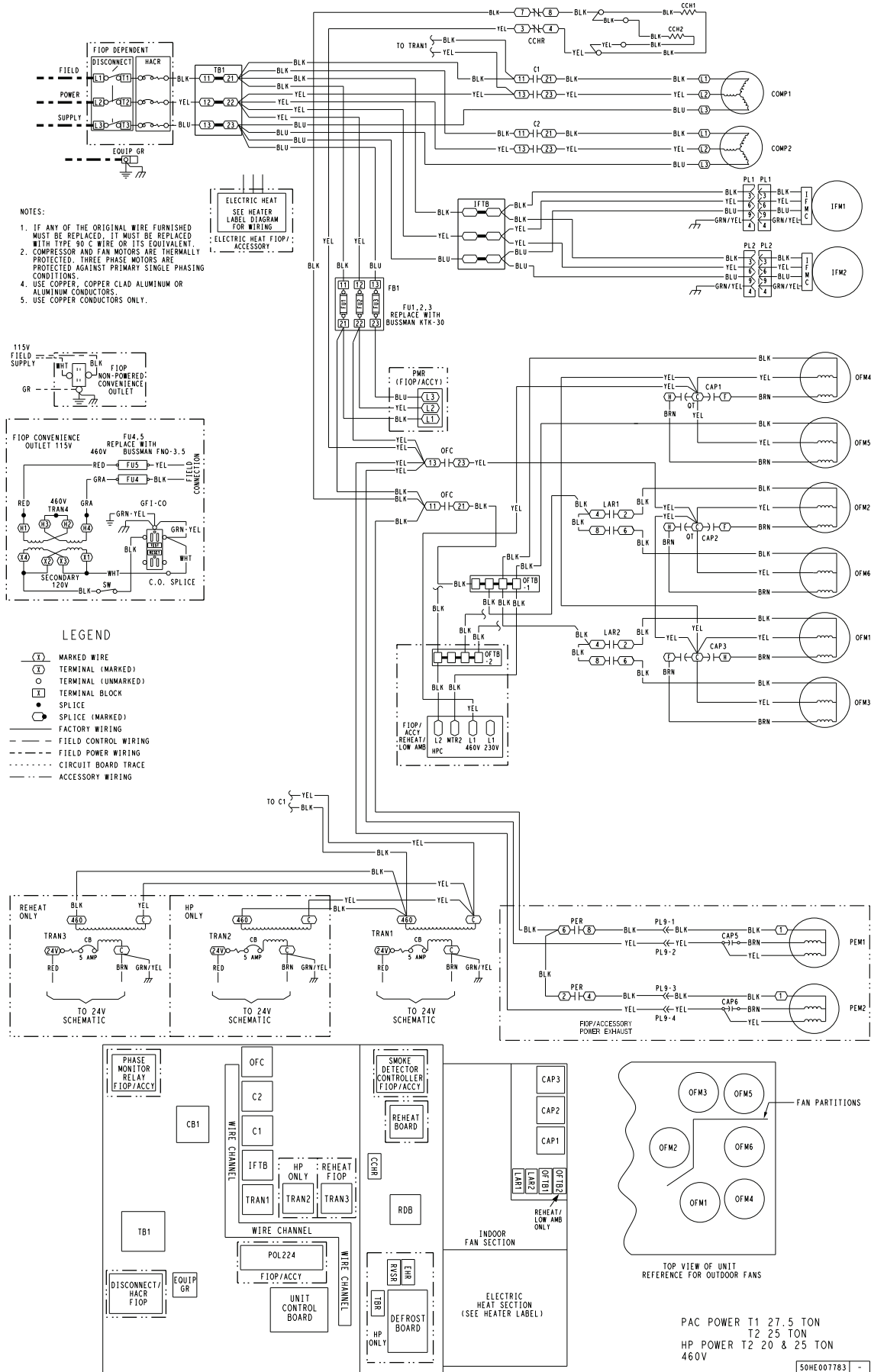


Fig. 63 — Typical 2-Stage 50GE-*28 Power Wiring Diagram, Electromechanical Controller

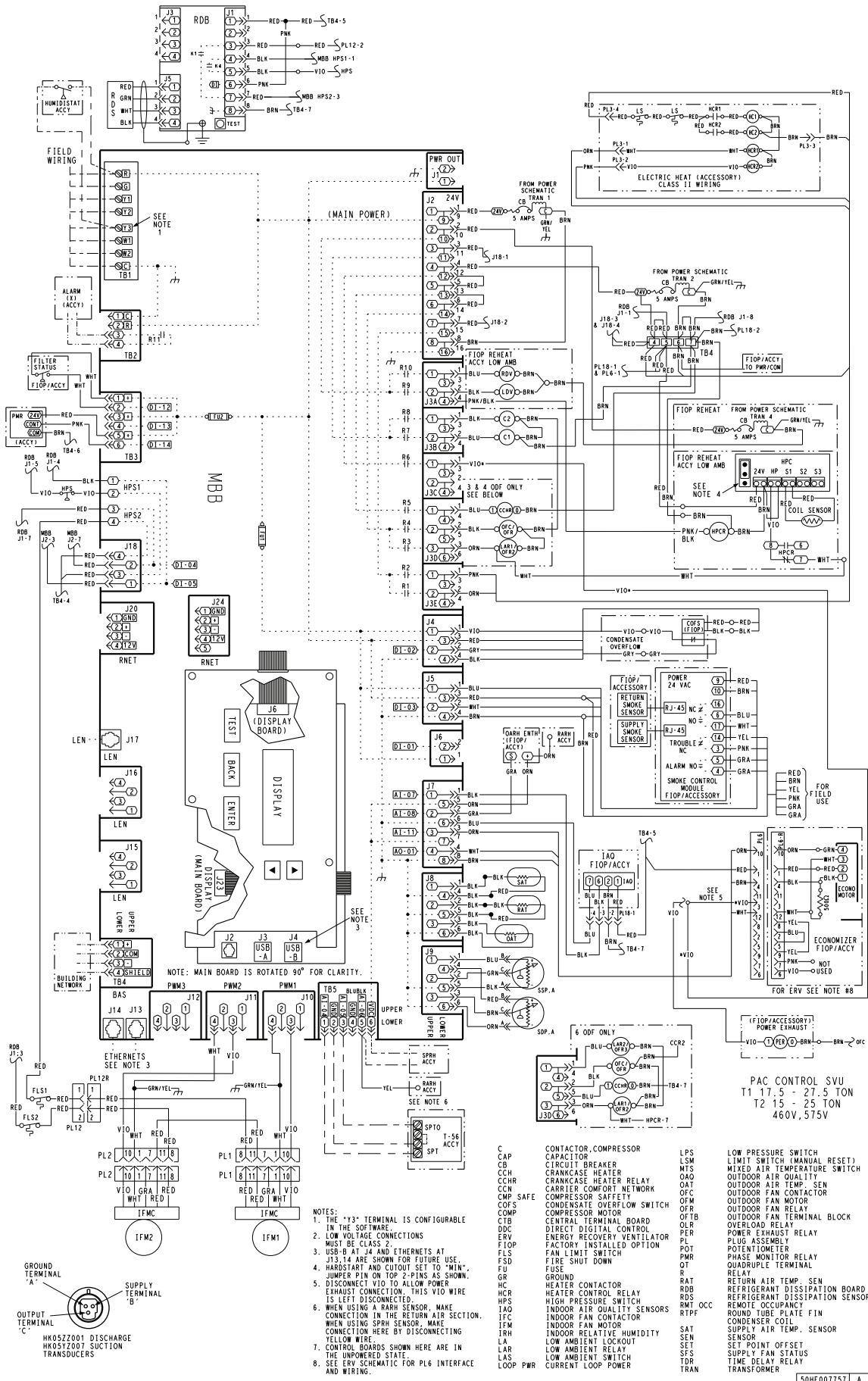


Fig. 64 — Typical 2-Stage 50GE-17-28 Control Wiring Diagram, SystemVu™ Controller

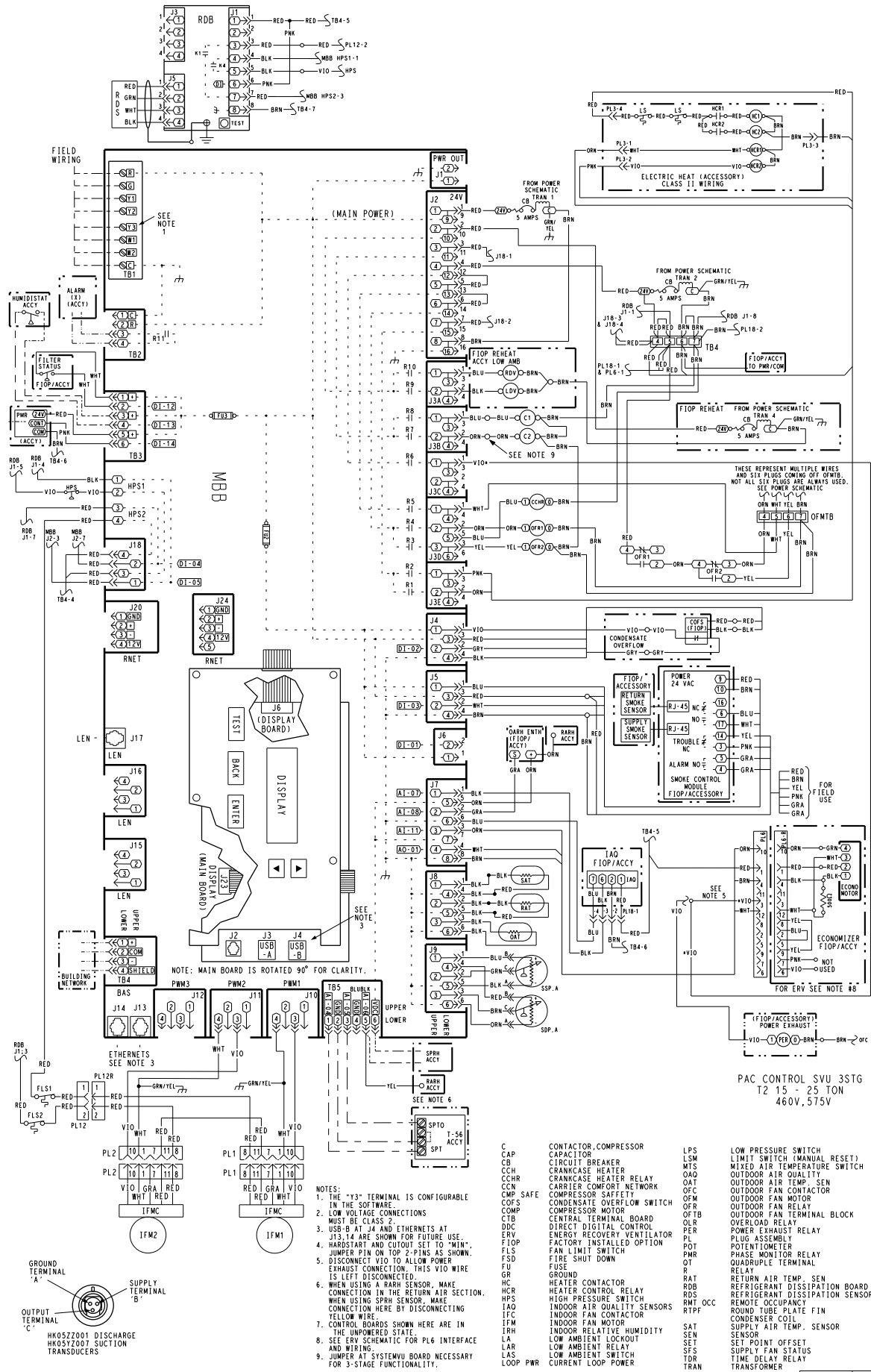


Fig. 65 — Typical 3-Stage 50GE**17-28 Control Wiring Diagram, SystemVu™ Controller

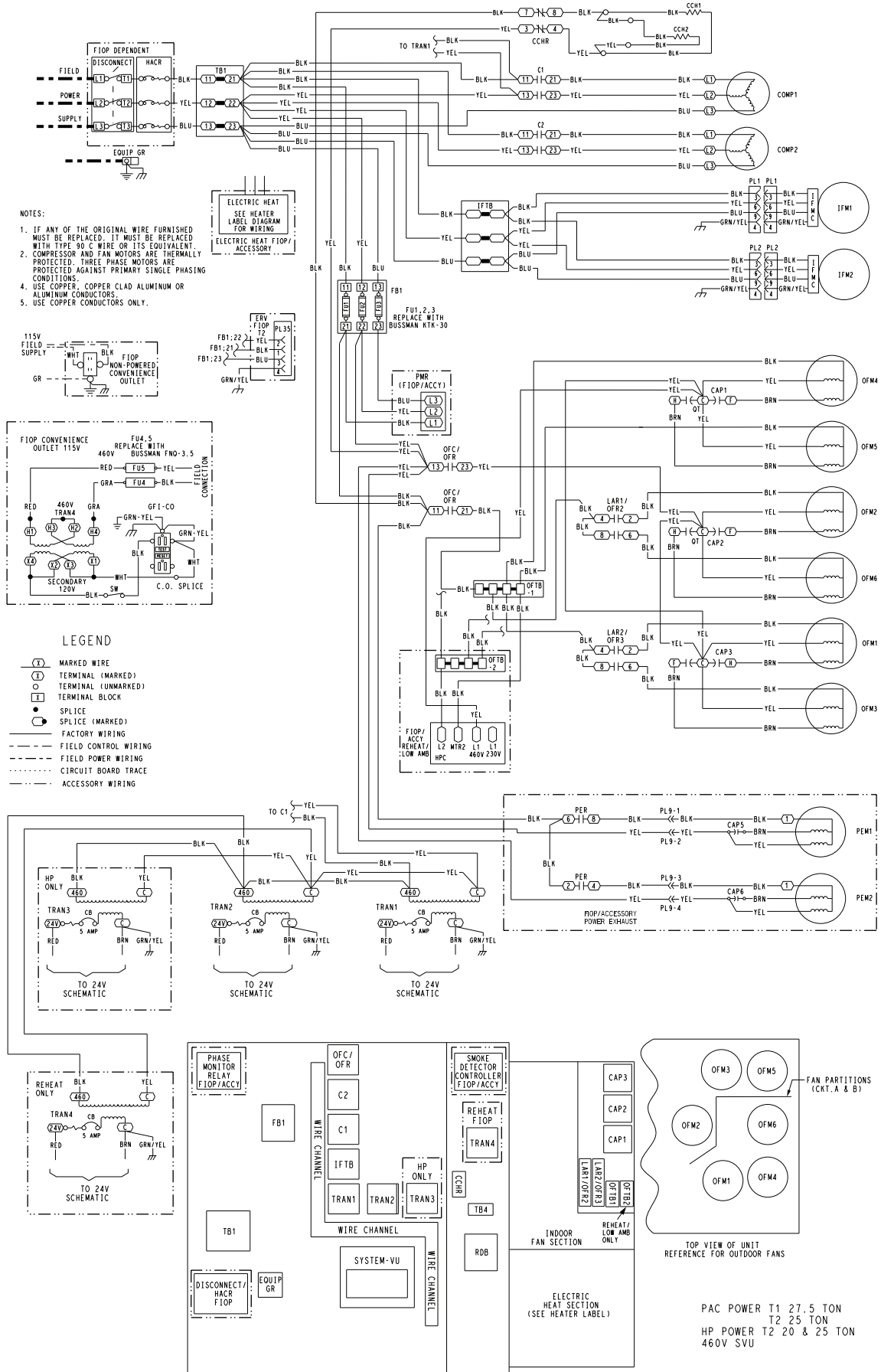


Fig. 67 — Typical 2-Stage 50GE-28 Power Wiring Diagram, SystemVu™ Controller

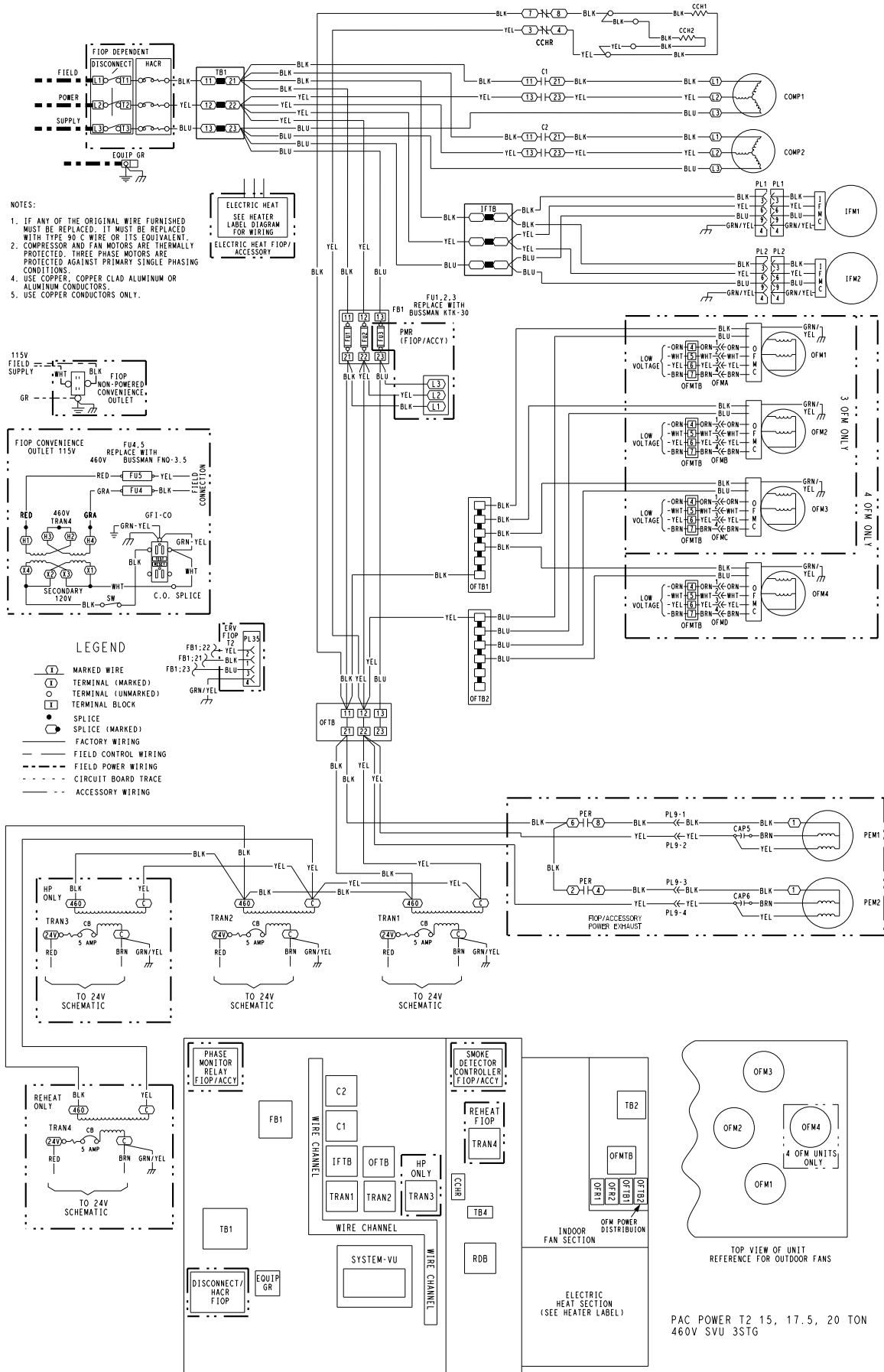


Fig. 68 — Typical 3-Stage 50GE**17-24 Power Wiring Diagram, SystemVu™ Controller

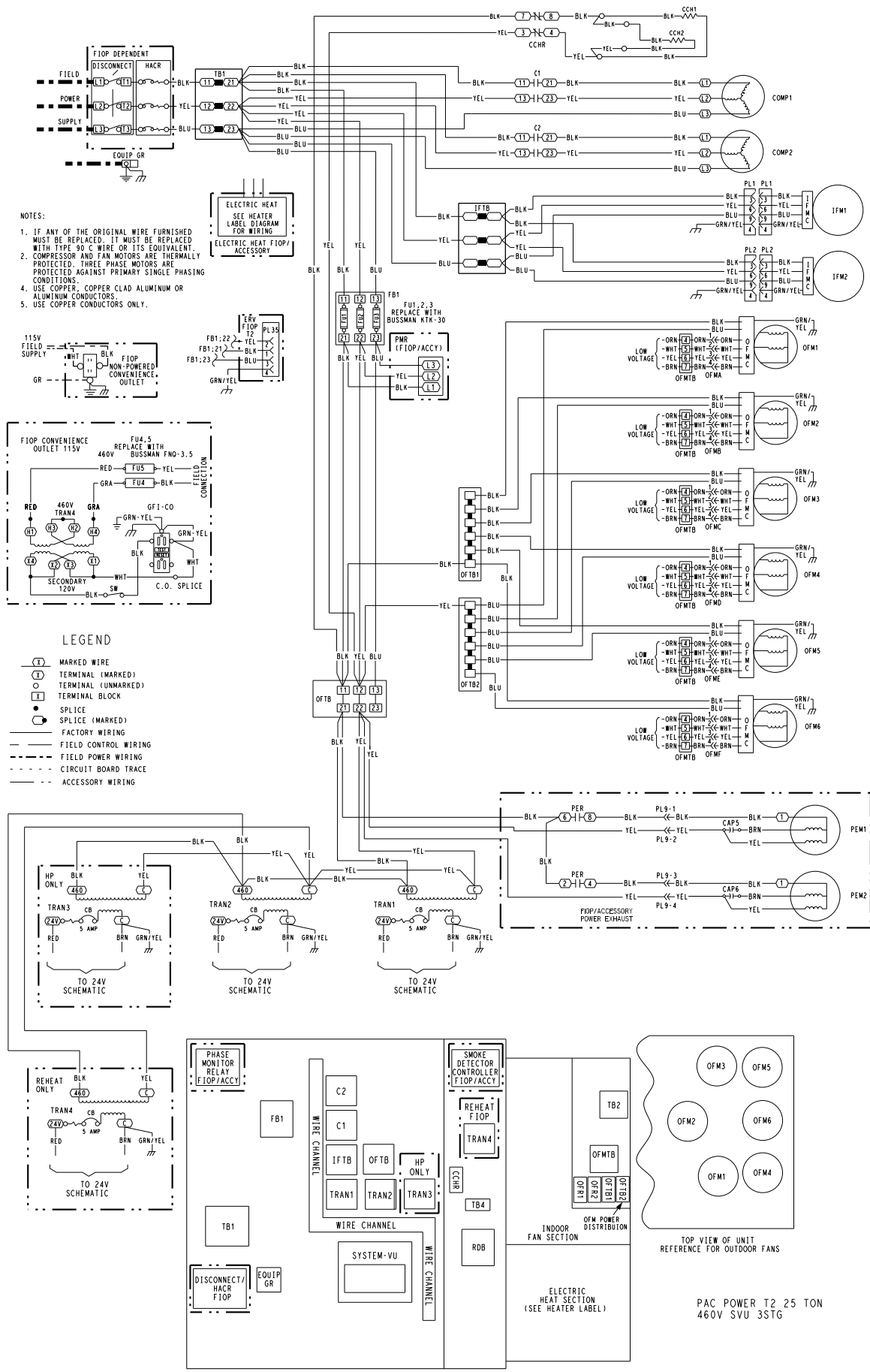


Fig. 69 — Typical 3-Stage 50GE**28 Power Wiring Diagram, SystemVu™ Controller

Humidi-MiZer Dehumidification System (Optional)

Units with the factory-installed Humidi-MiZer system option are capable of providing multiple modes of improved dehumidification as a variation of the normal cooling cycle. The Humidi-MiZer system option includes additional valves in the liquid line and discharge line of the refrigerant circuit and a reheat coil downstream of the evaporator. Humidi-MiZer system operation requires the installation and configuration of a relative humidity switch input or a space relative humidity sensor. These provide the dehumidification demand to the control.

With Humidi-MiZer system units there are two additional HVAC modes available for the user: Dehumidification and Dehum/Mech Cooling. Selection of the Dehum/Mech Cooling mode is determined by the dehumidification demand and the cooling demand. Table 3 shows the corresponding circuit mode and output status for the different demand combinations.

NORMAL COOLING

This mode is the standard rated cooling system performance, and occurs when there is cooling demand without dehumidification demand.

For 50GE 17-28 units, refrigerant flows from the outdoor condenser through the de-energized 3-Way Liquid Diverter Valve (LDV) to the expansion device bypassing the reheat condenser coil. The Reheat Discharge Valve (RDV) is closed. (See Fig. 70.)

DEHUM/MECH COOLING (SUBCOOLING) MODE

This mode increases the latent heat removal and decreases sensible cooling compared to normal cooling. This occurs when there is a cooling and dehumidification demands.

For 50GE 17-28 units, refrigerant flows from the outdoor condenser, through the energized 3-Way Liquid Diverter Valve (LDV) and through the reheat condenser coil to the expansion device. The Reheat Discharge Valve (RDV) is closed. (See Fig. 71.)

DEHUMIDIFICATION (HOT GAS REHEAT) MODE

This mode provides maximum latent cooling with little to no sensible capacity. This occurs when there is a dehumidification demand and no cooling demand.

For 50GE 17-28 units, this is the same as the Subcooling mode but the RDV is open, which provides some compressor discharge gas to the reheat condenser to further increase the reheat of the evaporator air stream. (See Fig. 72.)

REHEAT CONTROL

When there is only a cooling demand, the unit will operate in normal cooling mode. When there is only dehumidification demand, the unit will operate in Dehumidification mode (Hot Gas Reheat). When there is both cooling demand and dehumidification demand, the unit will operate in Dehum/Mech Cooling mode (Subcooling). During Dehumidification and Dehum/Mech cooling mode, the unit will run all cooling stages.

Table 3 — Humidi-MiZer System Control Modes (Sizes 17-28)

DEMAND AND MODE			OUTPUTS		
Space Humidity	Circuit Cooling Demand	Circuit Mode	Circuit Compressor	LDV Valve 3-way	RDV Valve 2-way
—	—	No power	Off	Off	Off (closed)
Low	No	Off	Off	Off	Off (closed)
	Yes	Cool	On	Off	Off (closed)
High	Yes	Dehum/Mech Cooling	On	On	Off (closed)
	No	Dehum	On	On	On (open)

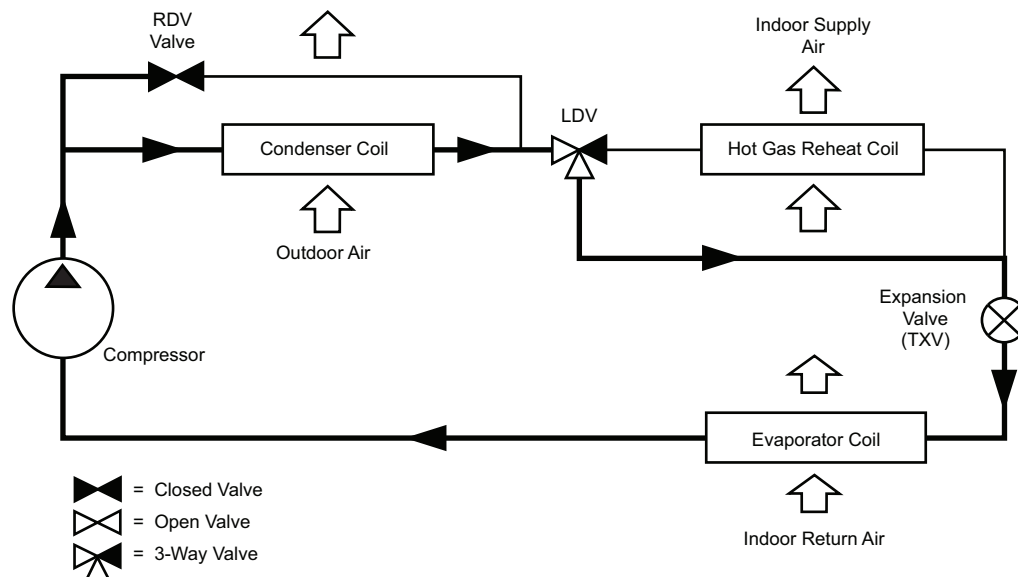


Fig. 70 — Normal Cooling Mode – Humidi-MiZer System for 50GE 17-28

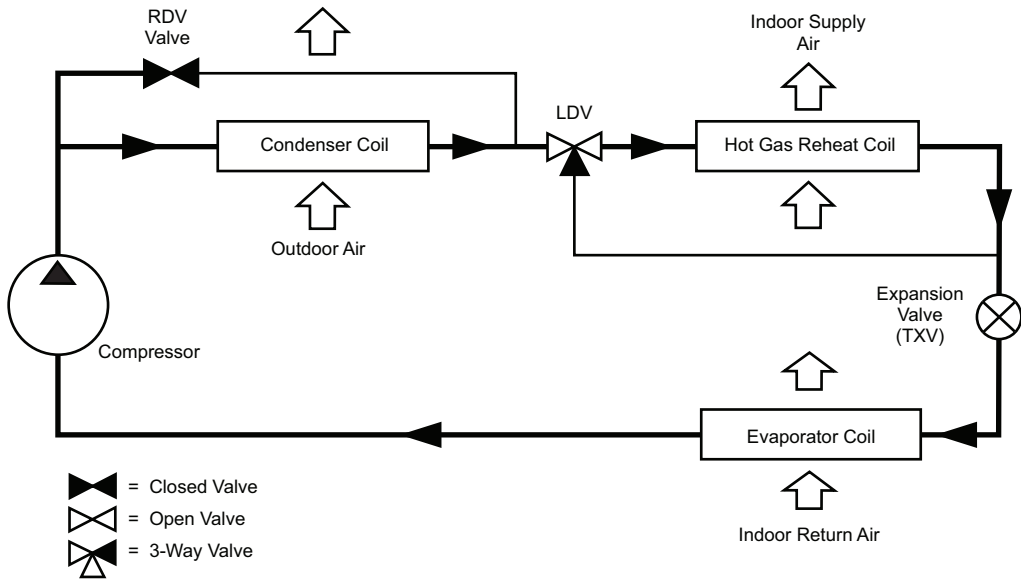


Fig. 71 – Subcooling Mode – Humidi-MiZer System for 50GE 17-28

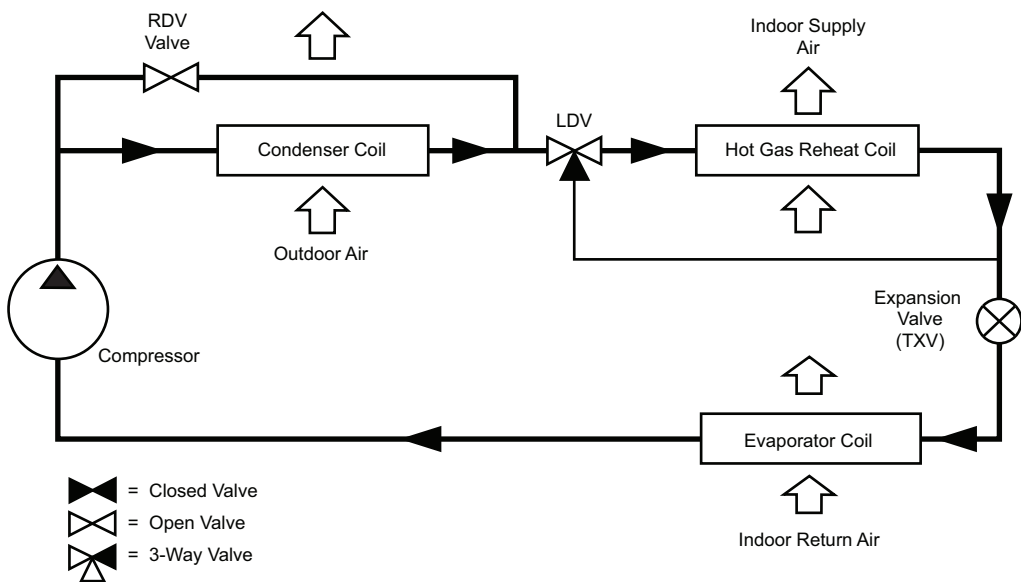


Fig. 72 – Hot Gas Reheat Mode – Humidi-MiZer System for 50GE 17-28

Leak Dissipation System

50GE units use R-454B refrigerant. These units are equipped with a factory installed R-454B leak dissipation system to ensure safe operation in the event of a refrigerant leak. This systems consists of an A2L sensor (Fig. 73) and the dissipation control board (see Fig. 74) which are located in the indoor coil section of the unit (see the Control Box Access Panel section in the view labeled “FRONT” in Fig. 2, 3, 7, 8, 12, 13). The A2L sensor is located between the indoor coil and the air filters.

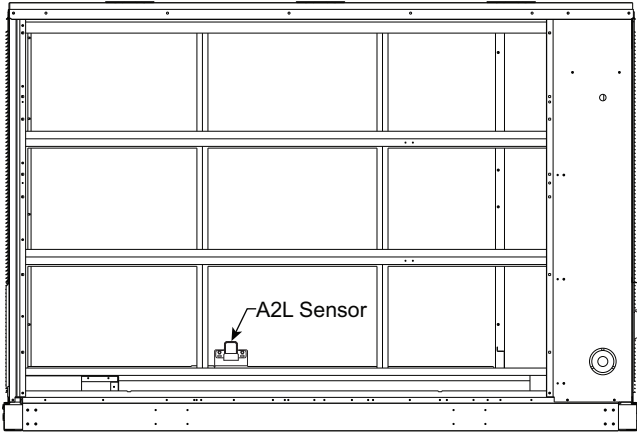


Fig. 73 — Location of A2L Sensor

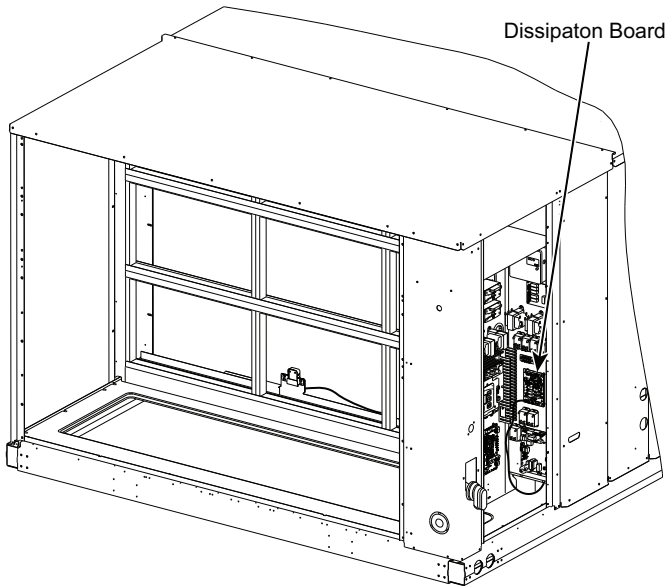


Fig. 74 — Location of Dissipation Control Board (Shown with Control Box Cover Removed)

The A2L detection sensor communicates via a wiring harness to the dissipation board. The sensor harness is routed on the bottom of the filter rack towards the unit bulkhead and secured with wire ties. The sensor harness then runs through the pass-through at the bottom of the control box and connects to the dissipation board.

NOTE: The drain wire must be properly connected to the ground lug on the dissipation board via the quick connect and ground harness. Failure of proper sensor harness grounding can lead to false dissipation events.

SEQUENCE OF OPERATION

The control functions as an R-454B refrigerant dissipation system. If the refrigerant detection sensor sends a signal indicating a

refrigerant leak, the control board will prevent heating and cooling operation and begin dissipating the sensed refrigerant with a blower request. The refrigerant dissipation board will display a flash code from the yellow status LED (see Fig. 75) indicating the sensor that detected the refrigerant. See Fig. 77 — on page 49 for the full text on the Dissipation Control Status label.

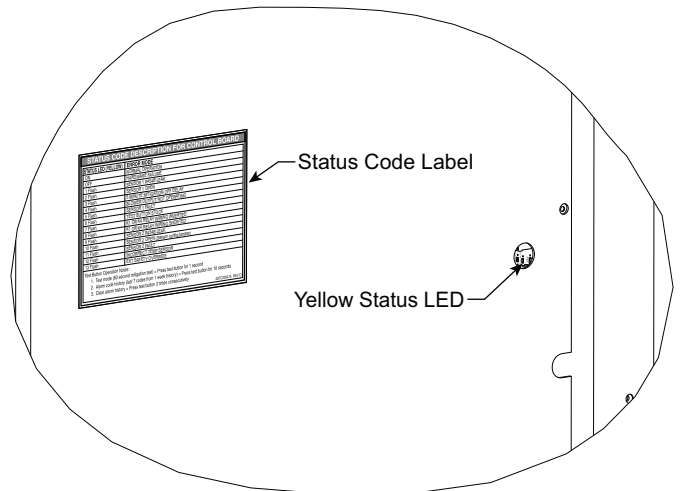
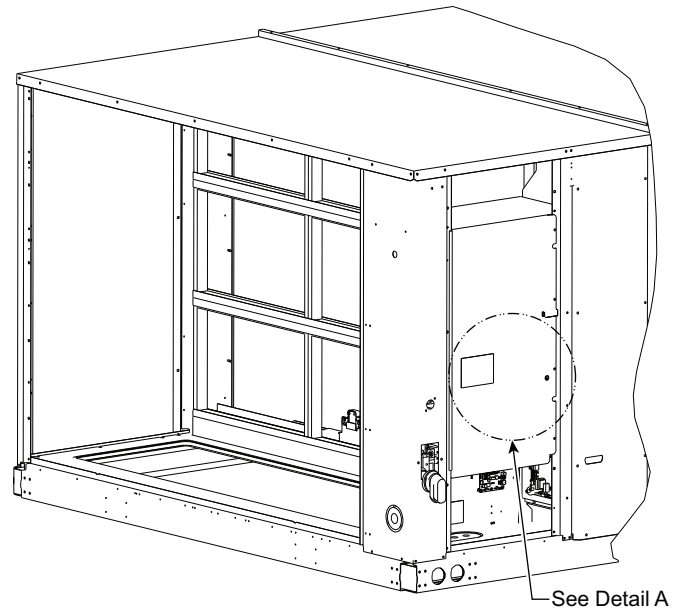
When the sensor signal indicates the refrigerant has dissipated, the dissipation board yellow status LED will display a flash code 3 and return to its normal state and allow unit operations after a 5 minute delay.

LEAK DISSIPATION SYSTEM SELF-TEST

Power on the unit and verify proper functioning of equipment. The yellow Status LED on the dissipation board should be steady (see Fig. 75). If flash codes are present, see Troubleshooting on page 49.

NOTE: Operation of the Test Mode is only possible if no faults exist on the dissipation board.

Remove the control box access panel to access the dissipation board and Test button (see Fig. 76). The Test button is located above the COMM LED.



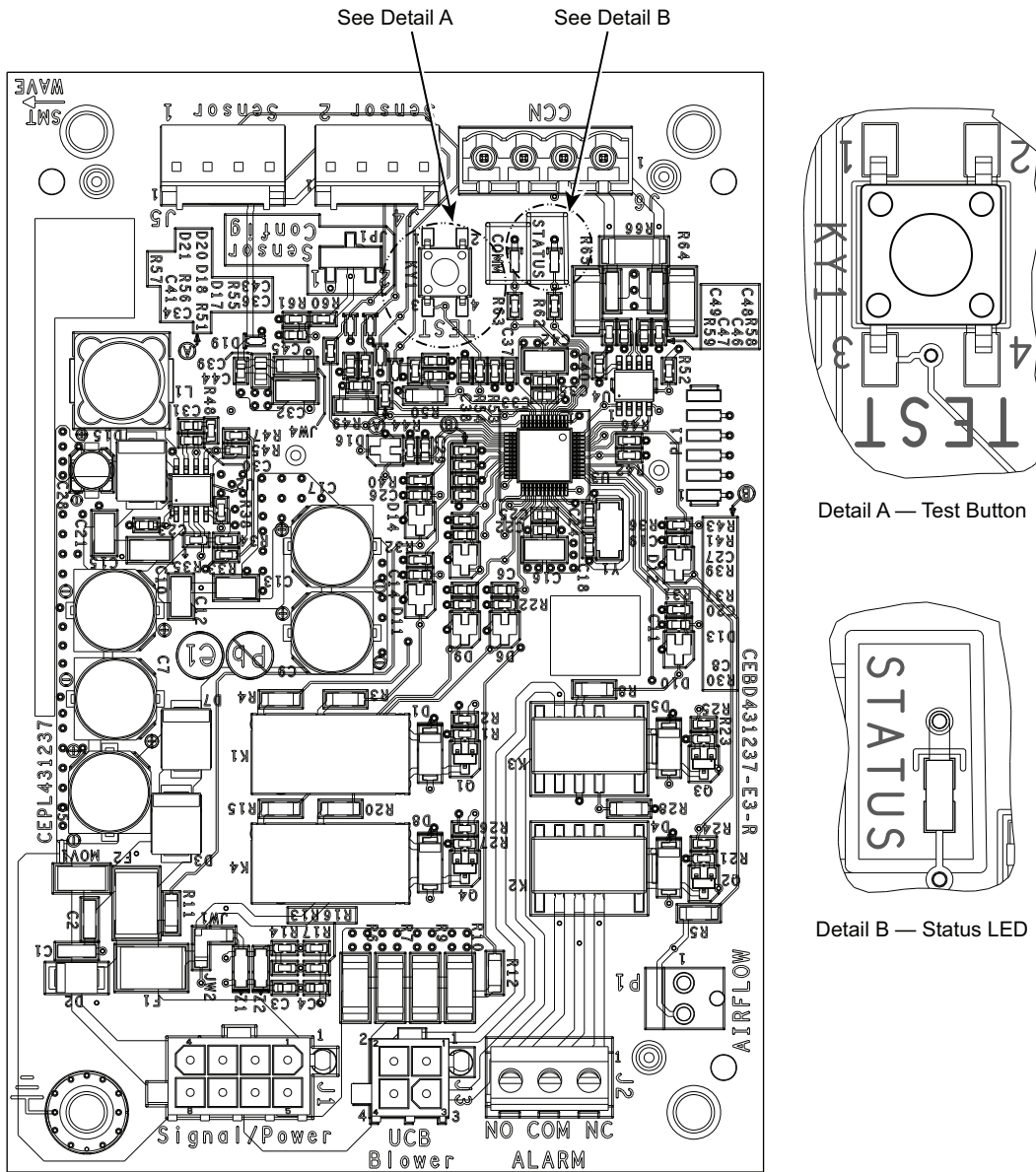


Fig. 76 — Dissipation Control Board

Press the Test button on the dissipation system control board to ensure proper dissipation system operation under each test condition listed below. After pressing the Test button, system will enter Dissipation Mode for 60 seconds to help verify correct operation.

IMPORTANT: Press the Test button for roughly ONE SECOND to enter Test Mode. Pressing the Test button for a longer periods enables different functions (see Table 4).

Table 4 — Dissipation Board Test Button Functions

HOLD BUTTON TIME (SEC)	FUNCTION
1-4	Dissipation Mode for 60 seconds
5-29	Display flash code history
30+	Flash code 6
3 Rapid Presses	Clear flash code history

Ensure that the unit is able to meet the minimum required dissipation mode airflows. These required minimum airflow rates during Dissipation Mode are listed in Table 5. They are based on the total system refrigerant charge quantity.

The space area served by ducted equipment with A2L refrigerant is restricted by building code based on refrigerant volume that the releasable to the conditioned space served by the duct system.

Table 5 — Minimum Dissipation Air Flows

MINIMUM DISSIPATION AIR FLOW (cfm)	
UNIT	cfm
50GE*M/T17	670
50GE*M/T20	870
50GE*M24	900
50GE*T24	860
50GE*M/T28	990
50GE*N/U17	920
50GE*N/U20	1070
50GE*N24	1200
50GE*U24	1160
50GE*N/U28	1430

Determine the conditioned space area by calculating the floor area (room length x room width) of all spaces served by a common duct system and adding them all together to get the total conditioned space area.

Compare the calculated total conditioned space area to the minimum conditioned space area (TA_{min}) listed in Table 6, based on the unit size and configuration (with or without Humidi-MiZer).

Table 6 — Minimum Conditioned Space Area (MCSA or TA_{min})

UNIT	$(TA_{min})^a$	
	Sq Ft	Sq Meter
50GE*M/T17	731	68
50GE*M/T20	941	88
50GE*M24	973	91
50GE*T24	934	87
50GE*M/T28	1076	100
50GE*N/U17	1001	93
50GE*N/U20	1160	108
50GE*N24	1298	121
50GE*U24	1257	117
50GE*N/U28	1547	144

NOTE(S):

a. TA_{min} is based on a minimum ceiling height of 7.2 ft (2.2 m) and the worst-case unit refrigerant charge.

If the space area is above the minimum conditioned space area listed in Table 6 based on unit size and configuration, no action is needed.

If the conditioned space area is below the minimum conditioned space area listed in Table 6 based on unit size and configuration, then additional ventilation may be required. Refer to local code, UL-60335-2-40, or ASHRAE standard 15.

Table 7 details the required operational checks to ensure proper dissipation system function.

Figure 77 shows the flash codes displayed on the Dissipation control board.

TROUBLESHOOTING

For all flash codes, first try power cycling the system to remove the code.

Table 8 — Status LED Troubleshooting Table

STATUS LED	REASON	CONTROL VERBIAGE	MODE
1 Flash	Sensor 1 \geq 20% LFL	REFRIG DISSIPATION ACTIVE	Dissipation in Process
2 Flash	Sensor 1 Open	REFRIG SENSOR OPEN	Dissipation in Process
3 Flash	5 Minute Blower Operating, Sensor < 20% LFL and sensors are not opened (done after fault 1, 2, 9 and 10)	DISSIPATION OFF DELAY ACTIVE	Dissipation in Process
4 Flash	0 VAC sensed on G output.	BLOWER OUTPUT NOT OPERATING	Dissipation in Process
5 Flash	Fault with the A2L digital sensor	REFRIG SENSOR FAULT	Dissipation in Process
6 Flash	If KY1 is stuck pressed for more than 30 seconds.	TEST BUTTON STUCK	To prevent a shorted KY1 to keep the dissipation running continuously.
7 Flash	Y out switched with Y in or W out switched with W in	Y (K4) OR W (K1) WIRING INVERTED	Normal mode
8 Flash	Y or W shorted (relay detects both sides are high)	Y (K4) OR W (K1) OUTPUT SHORTED TO Y (K4) OR W (K1) INPUT	Normal mode
9 Flash ^a	Sensor 2 \geq 20% LFL	SENSOR 2 DISSIPATION ACTIVE	Dissipation in Process
10 Flash ^a	Sensor 2 Open	SENSOR 2 OPEN	Dissipation in Process
11 Flash ^a	Fault with the second A2L digital sensor	SENSOR 2 FAULT	Dissipation in Process
12 Flash	High temperature sensor attached on commercial	OVERCURRENT INCORRECT SENSOR	Normal mode
13 Flash	G input signal is lost. Indicates another unit safety will override dissipation.	EXT SAFETY OVERRIDE	Normal mode

NOTE(S):

a. There is only one sensor mounted in these units. This table represents the standard label being put on all commercial equipment. The hardware changes only allow one sensor to be connected to the board; the software remains the same for a one or two sensor board. Although unlikely these flash codes may appear if the board malfunctions.

LEGEND

LFL — Lower Flammable Limit

No Power

Verify the wiring to/from pins 1 and 8 on the power harness plug. Check the 24V system wiring from the transformer.

Table 7 — Dissipation System Required Operational Checks

NORMAL OPERATION				
TEST NO.	UNIT DEMAND	COMPRESSOR	INDOOR FAN	ELECTRIC/GAS HEAT
1	None	Off	Off	Off
2	Cool	On	On	Off
3	Heat	On	On	On
DISSIPATION ACTIVATED				
4	None	Off	On	Off
5	Cool	Off	On	Off
6	Heat	Off	On	Off

STATUS CODE DESCRIPTION FOR CONTROL BOARD	
STATUS LED (YELLOW)	ERROR MODE
ON	NORMAL OPERATION
OFF	HARDWARE FAILURE
1 Flash	SENSOR 1 R454B LEAK
2 Flash	SENSOR 1 OPEN
3 Flash	5 MINUTE MITIGATION OFF DELAY
4 Flash	BLOWER OUTPUT NOT OPERATING
5 Flash	SENSOR 1 FAULT
6 Flash	TEST BUTTON STUCK
7 Flash	K1 OR K4 RELAY WIRING INVERTED
8 Flash	K1 OR K4 RELAY WIRING SHORTED
9 Flash	SENSOR 2 R454B LEAK
10 Flash	SENSOR 2 OPEN (Sensor config jumper)
11 Flash	SENSOR 2 FAULT
12 Flash	INCORRECT TEMP SENSOR
13 Flash	EXT SAFETY OVERRIDE

Test Button Operation Notes:

- Test mode (60 second mitigation test) = Press test button for 1 second
- Alarm code history (last 7 codes from 1 week history) = Press test button for 10 seconds
- Clear alarm history = Press test button 3 times consecutively

48TC006475 REV D

Fig. 77 — Dissipation Control Status Label

See Table 8 for details on the operating status and troubleshooting of the Dissipation system for the various flash codes.

IMPORTANT: EconomizerONE is available for 2-stage models only!

EconomizerONE (Factory Option)

ECONOMIZER SETTINGS

Interface Overview

EconomizerONE

This option consists of the following:

- Low Leak Economizer Assembly
- HH79NZ039 OA (Outdoor Air) Dry Bulb Sensor
- HH79NZ039 Mixed Air Sensor
- POL224 Controller
- 50HE005489 Harness

POL224 Economizer Module Wiring

The economizer controller used on electromechanical units is a Siemens POL224, which is to be located in the RTU base unit's control box. See Fig. 78 for button description of the POL224 controller. Refer to the unit dimensional drawing for the location of the control box access panel.

The POL224 controller provides the following:

1. One-line LCD (Liquid Crystal Display) — After a period of inactivity, the controller displays the default HMI (Human Machine Interface) screen (free cooling status, 1FREECOOL YES or 1FREECOOL NO). See Fig. 78-82.
2. Operation button (Up button) — Move to the previous value, step, or category.
3. Operation button (Down Button) — Move to the next value, step, or category.
4. Operation Button (Enter Button):
 - a. Press Enter to edit the current value or option.
 - b. Press Enter to confirm a newly selected value or option.
 - c. Press Enter + Up to jump up one entire category.
 - d. Press Enter + Down to jump down one entire category.

User Interface and Keypad

The controller user interface consists of an LCD display and a 3-button keypad for input. The LCD is a 16 character by 1-line dot matrix display. The keypad is used to navigate and change the desired menu items on the display. See Fig. 78.

The Climatix™ mobile application allows for installation, commissioning, and servicing. Scanning a QR code on the controller allows users to download the mobile application on Android™¹ or Apple iOS®¹, but a Wi-Fi/WLAN stick is needed. See Fig. 78 and 79. Plug Wi-Fi/WLAN stick into controller USB port for temporary connection for mobile application set-up. The Wi-Fi/WLAN stick can be used for multiple units.

Menu Structure

Menus are displayed in the economizer controller via categories. There are eight first-level menus, each of which is represented by a number at the beginning of the line on the LCD. Pressing Enter + Up or Down can toggle between different first-level menus. Submenus follow the numbered first-level menus closely. Pressing Up or Down can toggle between different submenus.

At the end of the line, the LCD displays the value of the current submenu (if any). If the value is editable, pressing Enter will put the terminal in Edit mode. The value is then highlighted for change. After making a change by pressing Up or Down, press Enter to confirm the change and exit the Edit mode. See Fig. 81.

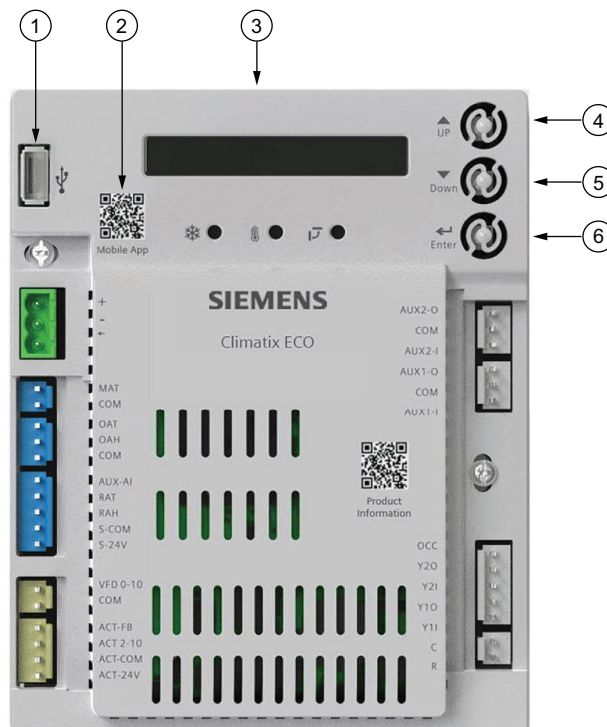
Powering the Economizer Controller

The POL224 controller power connections are made through the economizer harness (P/N 50HE005489). Connections from the harness are made to the C (24 vac common) and R (24 vac power) terminals of the economizer controller. See Fig. 80.

LED Indication

NOTE: If different faulty events occur at the same time, then sensor/DAC LED lights up following the priority below: Red → Yellow → Off. For example, if there is a humidity sensor error and air temperature failure at the same time, then the sensor LED turns red rather than yellow. See Fig. 82 and Table 9.

IMPORTANT: After the Economizer controller enters the running state, it may take one minute for peripheral devices to complete initialization. Before that, LED indication might be unstable.



NOTE: QR codes in this image are for reference only.

NO.	DESCRIPTION
1	USB port for Wi-Fi/WLAN stick.
2	QR code to download Climatix™ mobile application.
3	One-line LCD. After a period of inactivity, the controller displays the default: HMI screen (free cooling status, 1FREECOOL YES or 1FREECOOL NO)
4	Operation button (Up button) - Move to the previous value, step or category.
5	Operation button (Down button) - Move to the next value, step or category.
6	Operation button (Enter button): <ul style="list-style-type: none"> • Press to edit the current value or option. • Press to confirm a newly selected value or option. • Press Enter + Up to jump up one entire category. • Press Enter + Down to jump down one entire category.

Fig. 78 — POL224 Controller

1. Third-party trademarks and logos are the property of their respective owners.



NOTE: QR code in this image is for reference only.

Fig. 79 – Wi-Fi/WLAN Stick

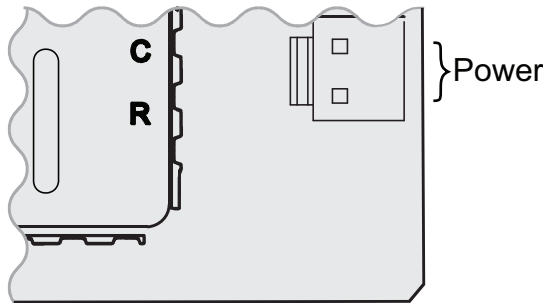
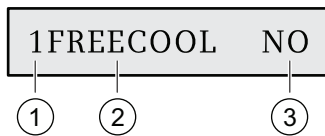


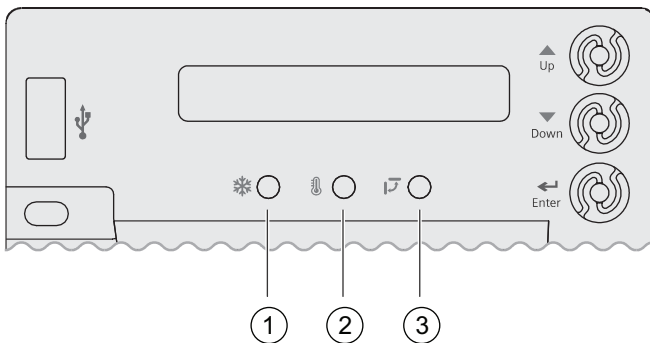
Fig. 80 – Powering the EconomizerONE Controller



No.	Description
1	Number representing the first-level menu of Status Display . Different numbers represent different menus: 1: Status Display 2: Basic Settings 3: Advanced Settings 4: Alarms 5: Enter Configuration State and Reset 6: I/O Config 7: Testing 8: Enter Running State
2	Submenu ^a
3	Value of the current submenu ^a

a. See “Setup and Configuration” on page 60 for detailed submenus together with possible values or ranges.

Fig. 81 – Menu Structure Descriptions



NO.	DESCRIPTION
1	Free Cooling LED
2	Sensor LED
3	DAC LED

Fig. 82 – LED Indication

Table 9 – LED Indication

STATUS	FREE COOLING LED	SENSOR LED	DAC LED
Commissioning mode	Yellow Blinking	Yellow Blinking	Yellow Blinking
Power start up	Yellow On	Yellow On	Yellow On
Free cooling is running	Green On	—	—
Free cooling is available but not running	Green Blinking	—	—
Not economizing when it should	Red Blinking	—	—
Economizing when it should not	Red On	—	—
Sensor working okay	—	Green On	—
Humidity sensor error	—	Yellow On	—
CO ₂ sensor error	—	LED Off	—
Air temperature fault/failure	—	Red On	—
Excess outdoor air	—	Red Blinking	—
Damper working okay	—	—	Green On
Damper not modulating	—	—	Red On
Damper slippage	—	—	Red Blinking
Damper unplugged	—	—	Fast Red Blinking
Terminal ACT-FB is configured but no available feedback signal	—	—	LED Off

Functions

Free Cooling Economizing

Free cooling uses unconditioned outside air to cool the space directly. The economizer controller enables or disables free cooling after it judges which control mode is active. It also uses hysteresis to ensure a smooth switchover.

Depending on the sensors that are used, there are four different control modes. In different control modes, the assessed conditions are different. See Table 10.

Default Hysteresis Setting

Hysteresis setting (DB) defaults to 2°F (–17°C). See Fig. 83.

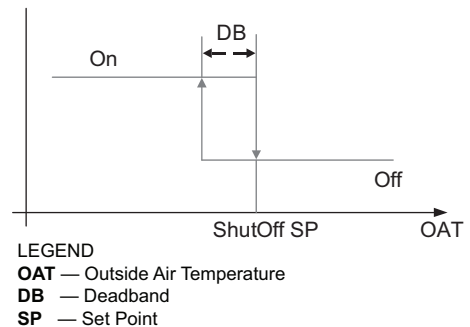


Fig. 83 – Hysteresis Settings

Table 10 – Free Cooling Functions

CONTROL MODE	SENSORS USED	ENABLE FREE COOLING?
Control Mode 1 • Fixed Dry bulb	OA (outside air) Temperature Sensor and MA (Mixed Air) Temperature Sensor	The outside air dry bulb temperature is compared with the set temperature shutoff setpoint. If the outside air dry bulb temperature is below the temperature shutoff setpoint, then the outside air is used to meet all or part of the cooling demand.
Control Mode 2 • Differential Dry bulb (Dual Dry bulbs)	OA Temperature Sensor, RA (Return Air) Temperature Sensor, and MA Temperature Sensor	The outside-air dry bulb temperature is compared with the return air dry bulb temperature. If both OAT and RAT are higher than the temperature high limitation, then free cooling is prohibited. If OAT or RAT is lower than the temperature high limitation and the outside air dry bulb temperature is lower than the return air dry-bulb temperature, then the outside air is used to meet all or part of the cooling demand.
Control Mode 3 • Combination Fixed Enthalpy and Fixed Dry bulb Control	OA Temperature and Humidity Sensor and MA Temperature Sensor	The outside air dry bulb temperature and enthalpy are compared with the set temperature and enthalpy shutoff setpoints. If the outside air enthalpy is lower than the set enthalpy shutoff setpoint, and the outside air dry bulb temperature is lower than the temperature shutoff setpoint, then the outside air can be used for economizing.
Control Mode 4 • Combination of Differential Enthalpy and Fixed Dry bulb	OA Temperature and Humidity Sensor, RA Temperature and Humidity Sensor, and MA Temperature Sensor	The outside air dry bulb temperature and enthalpy are compared with the temperature shutoff setpoint and return air enthalpy. If both OA enthalpy and RA enthalpy are higher than the enthalpy high limitation, then free cooling is prohibited. If OA enthalpy or RA enthalpy is lower than the enthalpy high limitation, outside air enthalpy is lower than the return-air enthalpy, and the outside air dry bulb temperature is lower than the set temperature shutoff setpoint, then outside air can be used for economizing.

Damper Modulation During Free Cooling

Once outside air is suitable for free cooling, the controller modulates the damper based on MAT (mixed air temperature, default) or OAT (outside air temperature). Refer to Table 10.

If MAT is used when free cooling is enabled, MAT setpoint (**3MAT SET**, configurable in “Parameter Settings — Advanced” on page 63) is used for MAT modulating. When MAT falls below the anti-freeze setpoint (**3FRZ PROT**), the damper either fully closes or opens to the minimum position (configurable in “Parameter Settings — Advanced” on page 63).

1. If MAT is lower than MAT setpoint, then the damper is modulated to maintain MAT setpoint, towards fully closed or open to the minimum position based on occupancy status if MAT continues dropping.
2. If MAT is in the range [MAT setpoint, (MAT setpoint + neutral zone band [1°F by default])], then the damper position does not change.
3. If MAT is higher than (MAT setpoint + neutral zone band), then the damper opens towards fully open.
4. If MAT is 10°F higher than MAT setpoint, then the damper fully opens to 100%.

If OAT is used when there is a cooling demand, the damper can be opened to different positions depending on different outside air temperatures:

1. If outside air is higher than 50°F but lower than the temperature shutoff setpoint, then the damper is fully open.
2. If outside air is higher than OAT lockout setpoint but lower than 50°F, then linear modulation is applied when only

Cooling Stage 1 input (Y1) is ON. Result of the following formula indicates the damper’s open position:

$$([OAT - OAT Lockout Setpoint] / [50 - OAT Lockout Setpoint]) * (80\% - MIN POS) + MIN POS$$

NOTE: When both free cooling and mechanical cooling are on, damper remains fully open regardless of the modulating logic.

Location-Based Shutoff Setpoints

The economizer controller can get location-based temperature and enthalpy shutoff setpoints automatically if it is connected to the Climatix™ mobile application. Once a Wi-Fi/WLAN stick is plugged in, the economizer controller can establish network connection with the mobile application. The temperature and enthalpy shutoff setpoints obtained via the phone or tablet’s GPS functionality can then be synchronized to the economizer controller.

Cooling Stage Operation

The economizer controller accepts inputs for 1 and 2-stage cooling inputs and reroutes to the RTU through the relay connection Y1 and Y2.

The operation of the cooling stages is determined by the availability of Free Cooling provided by the economizer operation mode. See Cooling Stage I/O Logic Tables 11-12. Based on the use of Free Cooling, the operating modes are as follows:

- Y1 is Stage 1 Cooling Demand.
- Y2 is Stage 2 Cooling Demand.
- Free Cooling is always the first cooling stage.
- Cooling Stage 1 call from the Commercial Thermostat (Y1) energizes the Y1 input to the economizer controller.
- Cooling Stage 2 call from the Commercial Thermostat (Y2) energizes the Y2 input to the economizer controller.

Table 11 — 1 and 2-Stage Cooling Stage I/O Logic

ECONOMIZER CONDITION MET	Y1	Y2	COOLING STAGE 1	COOLING STAGE 2
NO	On	On	On	On
NO	On	Off	On	Off
NO	Off	Off	Off	Off
YES	On	On	On	On/Off ^a
YES	On	Off	Off	Off
YES	Off	Off	Off	Off

NOTE(S):

- a. If $OAT \leq MAT$ setpoint (3MAT SET), then Relay 2 is always **OFF** to disable Cooling Stage 2. Otherwise, if both stages of cooling (Y1 and Y2) are **ON** for more than a set time (15 minutes by default), Y2 remains ON, and the OAT is higher than MAT setpoint, then Relay 2 energizes to allow Y2 pass-through to enable Cooling Stage 2.

Table 12 — 2-Stage Cooling Stage I/O Logic

ECONOMIZER CONDITION MET	Y1	Y2	COOLING STAGE 1	COOLING STAGE 2
NO	On	On	On	On
NO	On	On	On	On
NO	On	Off	On	Off
NO	Off	Off	Off	Off
YES	On	On	On	On
YES	On	On	On	On/Off
YES	On	Off	Off	Off
YES	Off	Off	Off	Off

IMPORTANT: The economizer controller can tolerate thermostat wiring mismatch, e.g. Thermostat Y1 → Economizer Y2-In, Thermostat Y2 → Economizer Y1-In. The handling logic is $Stage = Y1I + Y2I$. For example, $Y1O = 1$ if $Stage \geq 1$, $Y2O = 1$ if $Stage \geq 2$.

Multi-Speed Fan Support

The economizer controller supports connection to 2-speed fans. When the unit is equipped with a multi-speed fan, the damper responds to multiple fan speeds via multiple minimum positions (**MIN POS**) to keep minimum airflow. See Tables 13-15.

Table 13 — Damper MIN POS for 2-Speed Fan^a

Y1	Y2	W1 OR O/B	SPD L	SPD H	POS L	POS H
X	—	—	X	—	X	—
X	X	—	—	X	—	X
—	—	X	—	X	—	X

NOTE(S):

- a. A multi-speed fan is not controlled by the economizer controller but by an external logic board.

LEGEND

- POS L** — Damper MIN POS for Low-Speed Fan
POS H — Damper MIN POS for High-Speed Fan
SPD L — Low-Speed (Fan)
SPD H — High-Speed (Fan)

Table 14 — Different Fan Speeds with Different Configured Outputs^a

FAN TYPE	1-SPEED COOLING ^b	2-STAGE COOLING ^b
1-SPEED FAN^c	• Spd H (regardless of cooling demand, OCC=Yes)	• Spd H (regardless of cooling demand, OCC=Yes)
2-SPEED FAN^c	• Spd L (0 or 1 cooling demand) • Spd H (2 cooling demands)	• Spd L (0 or 1 cooling demand) • Spd H (2 cooling demands)

NOTE(S):

- a. If a single-speed fan connects to the Controller, it opens directly on the call of cooling/heating. The damper position is Pos H.
b. Configured by Y1O or Y2O.
c. Configured by 6FAN.

LEGEND

- Spd L** — Low Speed (Fan)
Spd H — High Speed (Fan)

Table 15 — Different Damper Minimum Positions with Different Configured Outputs

FAN TYPE	1-SPEED COOLING ^a	2-STAGE COOLING ^a
1-SPEED FAN^b	• Pos H (regardless of cooling demand, OCC=Yes)	• Pos H (regardless of cooling demand, OCC=Yes)
2-SPEED FAN^b	• Pos H (regardless of cooling demand, OCC=Yes)	• Pos L (0 or 1 cooling demand) • Pos H (2 cooling demands)

NOTE(S):

- a. Configured by Y1O or Y2O.
b. Configured by 6FAN.

LEGEND

- Pos L** — Damper MIN POS for Low-Speed Fan
Pos H — Damper MIN POS for High-Speed Fan

If DCV (demand controlled ventilation) is enabled, each fan speed corresponds to two damper position ventilation setpoints (VENT MIN, VENT MAX), e.g., Pos L corresponds to 2VENTMIN L... 2VENTMAX L. See Table 16 for Different Damper Position Setting with Different Configured Outputs with DCV enabled.

If CO₂ sensor is connected but DCV is disabled, then each fan speed corresponds to one minimum damper position ventilation setpoint. See Table 17 for Different Damper Position Setting with Different Configured Outputs with DCV disabled.

Table 16 – Different Damper Position Settings with Different Configured Outputs (DCV is Enabled)

FAN TYPE	1-STAGE COOLING ^a	2-STAGE COOLING ^a
1-SPEED FAN ^b	• 2VENTMIN H to 2VENTMAX H (regardless of cooling demand, OCC=Yes)	• 2VENTMIN H to 2VENTMAX H (regardless of cooling demand, OCC=Yes)
2-SPEED FAN ^b	• 2VENTMIN H to 2VENTMAX H (regardless of cooling demand, OCC=Yes)	• 2VENTMIN L to 2VENTMAX L (0 or 1 cooling demand) • 2VENTMIN H to 2VENTMAX H (2 cooling demands)

NOTE(S):

- a. Configured by Y10 or Y20.
- b. Configured by 6FAN.

Table 17 – Different Damper Position Settings with Different Configured Outputs (DCV is Disabled, CO₂ sensor is connected)

FAN TYPE	1-STAGE COOLING ^a	2-STAGE COOLING ^a
1-SPEED FAN ^b	• 2VENTMIN H (regardless of cooling demand, OCC=Yes)	• 2VENTMIN H (regardless of cooling demand, OCC=Yes)
2-SPEED FAN ^b	• 2VENTMIN H (regardless of cooling demand, OCC=Yes)	• 2VENTMIN L (0 or 1 cooling demand) • 2VENTMIN H (2 cooling demands)

NOTE(S):

- a. Configured by Y10 or Y20.
- b. Configured by 6FAN.

Cooling Delay via Increasing Fan Speed

If there is cooling demand while outside air is suitable for economizing, then the economizer controller tries to increase fan speed to maximize the use of outside air first. If the cooling demand is not reached within a set time, then mechanical cooling will be enabled.

Typical field application:

1. Prerequisites:
 - Outside air is suitable for economizing and free cooling is ON.
 - Fan connected to the controller supports multiple speeds. Cooling delay function does not work if only a one-speed fan is connected to the controller.
2. If it is a 2-speed fan and there are two cooling demand inputs/outputs and Y1-Input is called, then the controller sets fan speed to Speed Low. Damper is fully open (100%).
If Y2-Input is also called, then the controller increases fan speed to Speed High and starts fan delay (2FAN DLY) time. After the delay time runs out, the controller starts Y1-Output.

Demand Controlled Ventilation (DCV)

If a field-installed CO₂ sensor is connected to the EconomizerONE controller, then a demand controlled ventilation strategy will operate automatically. As the CO₂ level in the space increases above the setpoint (on the EconomizerONE controller), the minimum position of the dampers will be increased proportionally until the Maximum Ventilation setting is reached. As the space CO₂ level decreases because of the increase in fresh air, the outdoor damper will follow the higher demand condition from the DCV mode or from the free cooling mode.

The controller modulates the outside air damper based on the CO₂ level through the ppm value selected between the range of 500 and 2000 ppm. The measured CO₂ concentration value is compared with the set DCV setpoint. If the measured CO₂ concentration value is below the DCV setpoint, then keep the damper to the minimum position. Otherwise, enable DCV. Once DCV is enabled, the DCV PID starts to run to control the indoor CO₂ concentration value towards the DCV setpoint. The damper opens to the maximum position.

NOTE: DCV is disabled if the controller receives no occupancy signal.

DCV operation is available in Occupied and Unoccupied periods with the EconomizerONE system. However, a control modification will be required on the unit system to implement the Unoccupied period function. Refer to controller accessory installation instruction manual for further controls and command operation information.

High Humidity Limitation

The economizer controller applies high limit of humidity to enthalpy-based economizing. When the OA dew point is below the dew point setpoint, enthalpy-based economizing is available. Otherwise, enthalpy-based economizing is unavailable.

Anti-Freeze Protection

The economizer controller initiates the anti-freeze protection if MAT or OAT temperature falls below the anti-freeze setpoint.

MAT-Based Anti-Freeze Protection

1. If MAT temperature falls below the anti-freeze setpoint (3FRZ PROT), then:
 - The controller closes both damper and compressor if unit type is conventional unit and cooling/heating conventional operation mode is enabled.
 - The controller closes the damper if unit type is heat pump and heat pump operation mode is enabled.
2. If the MAT sensor fails, MAT is substituted by OAT to continue the anti-freeze assessment. If OAT fails too, the controller closes the damper immediately.

OAT-Based Anti-Freeze Protection

If OAT temperature falls below the OAT lockout setpoint (3OAT LOCK):

1. The controller stops the compressor from running if unit type is conventional unit and cooling/heating conventional operation mode is enabled.
2. The controller compressor is bypassed if unit type is heat pump and heat pump operation mode is enabled.

Exhaust Fan Operation

Up to two exhaust fans can be connected to the economizer controller.

- If Exhaust Fan 1 is connected and configured, then Exhaust Fan 1 parameter group (L, M, and H) is available, depending on fan configuration.
- If Exhaust Fan 2 is connected and configured, then Exhaust Fan 2 parameter group (L, M, and H) is available, depending on fan configuration.
- The controller energizes Exhaust Fan Relay 1 and Exhaust Fan Relay 2 if the damper position reaches Exhaust Fan 1 parameter setting and Exhaust Fan Relay 2 parameter setting respectively. The selection of L, M, or H matches the current fan speed.

NOTE: If terminal ACT-FB is configured, then the damper position is the damper feedback position. If feedback signal is unavailable, it is the simulated position.

Occupancy Input

The economizer controller can receive an occupancy signal from the connected thermostat or work under Occupied mode all the time. This is configurable in the Thermostat setup from the Climatix™ mobile application or under the I/O Configuration menu on the inbuilt display. See “Parameter Settings — I/O Configurations” on page 63 for more information.

IMPORTANT: On the call of cooling, when the controller is configured to receive signal from the thermostat but the thermostat is working under the Unoccupied mode, the damper is fully closed if outside air is not suitable for economizing. If outside air is suitable for economizing, the damper is fully open.

Pre-occupancy Purge

The pre-occupancy purge demand comes from the configuration of the Auxiliary features in the Climatix™ mobile application or 6AUX2-I under the I/O Configuration menu on the inbuilt display.

During pre-occupancy purge on the call of heating or when there is no cooling/heating demand, the damper position is MIN POS.

During pre-occupancy purge on the call of cooling, the damper position is MIN POS if outside air is not suitable for economizing. If outside air is suitable for economizing, then the damper is fully open.

Airflow Commissioning

Airflow measurement station (differential pressure signal) can connect to the controller temporarily to run airflow commissioning to calculate, calibrate, and store 4 fan speed characteristic curves automatically at damper positions 40%, 60%, 80%, and 100%. The controller places the damper to a proper position to meet minimum or any other airflow requests in cfm.

Users can enable this function only from the Climatix™ mobile application if the related function is available in the current mobile application version.

Fault Detection and Diagnostics

The economizer controller can detect and diagnose free cooling faults, sensor operation faults, and damper modulating faults. It can also report anti-freeze and shutdown notifications and actuator errors. Following is a list of all detectable or reportable information:

- Sensor disconnected or has no signal.
- Sensor short or high signal (under range or over range).
- Not economizing.
- Unexpected economizing.
- Excess outdoor air.
- Damper not modulating.
- Input power monitor and brownout. After detecting brownout, the economizer controller enters the brownout protection mode and disables all of the relay outputs.
- Anti-freeze notifications.
- Shutdown notifications.
- Actuator errors.
- Too low or too high leaving air temperature.
- Cooling/heating error.
- Damper actuator cycle count. Parameter **1ACT CNT** indicates number of times actuator has cycled. It is resettable via HMI item **8ACT CNT RESET**.

IMPORTANT: The first 6 faults are detectable via LEDs or alarm reports on the LCD. See LED Indication on page 51 and Alarms on page 64 for fault indications. These faults can also be displayed in the Operating section of the Climatix™ mobile application.

Firmware Update

NOTE: Back up configurations before firmware update. All the previous configuration data are erased after firmware update. NOTE: Contact Application Engineering for more information on support for firmware.

IMPORTANT: If the controller enters the configuration state for the convenience of I/O configurations, then users can manually switch to the running state after finishing configurations. To do so, press Enter + Up at the same time, and then press Enter to confirm the switch after 8RUN STATE appears on the LCD.

⚠ WARNING

Failure to follow this caution may result in damage to equipment. Be sure to allow enough time for compressor startup and shutdown between checkout tests so that the compressors do not short-cycle.

Mounting Devices Connected to the Economizer Controller

Devices like damper actuators, sensors (temperature sensor, humidity sensor, combination temperature and humidity sensor, CO₂ sensor), thermostats, and exhaust fans can be connected to the economizer controller. For information on how to mount the devices, see the device's installation instructions. See Fig. 84 and Table 18 for economizer controller wiring details.

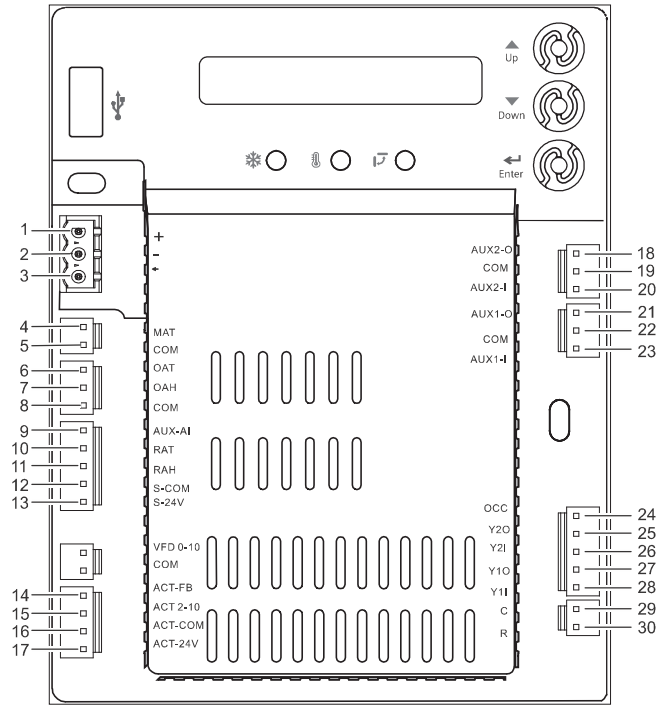


Fig. 84 — EconomizerONE Control Wiring

Table 18 – EconomizerONE Control Wiring Settings

NO.	LABEL	TYPE	DESCRIPTION
1	+	RS485 Modbus A	Line A
2	-	RS485 Modbus B	Line B
3	⏏	GND_ISO	Earth Ground
4	MAT	Type II NTC 10K or 0-10 vdc	Mixed or Discharge Air Temperature Sensor
5	COM	COM	Mixed or Discharge Air Temperature Sensor Common
6	OAT	Type II NTC 10K or 0-10 vdc	Outside Air Temperature Sensor
7	OAH	0-10 vdc or 4-20mA	Outside Air Relative Humidity Sensor
8	COM	COM	Outside Air Temperature Sensor or Outside Air Relative Humidity Sensor Common
9	AUX-AI	0-10 vdc, 2-10 vdc or 0-5 vdc	Air Quality Sensor or Pressure Sensor
10	RAT	Type II NTC 10K or 0-10 vdc	Return Air Temperature Sensor
11	RAH	0-10 vdc or 4-20mA	Return Air Relative Humidity Sensor
12	S-COM	COM	24 vac Common
13	S-24V	24 vac	24 vac Power Out to Sensors
14	ACT-FB	2-10 vdc	Damper Actuator Feedback
15	ACT2-10	2-10 vdc	Damper Actuator Output
16	ACT-COM	COM	Damper Actuator Output Common
17	ACT-24V	24 vac	24 vac Power Out to Damper Actuator
18	AUX2-O	24 vac OUT	Configurable: • Exhaust Fan (1 or 2) • System Alarm output (Title 24)
19	COM	COM	24 vac Common
20	AUX2-I	24 vac IN	Configurable: • Shut Down • Heat Conventional (W1) • Heat Pump Changeover (reversing valve OB) • Pre-occupancy
21	AUX1-O	24 vac OUT	Configurable: • Exhaust Fan (1 or 2) • System Alarm output (Title 24)
22	COM	COM	24 vac Common
23	AUX1-I	24 vac IN	Configurable: • Shut Down • Heat Conventional (W1) • Heat Pump Changeover (reversing valve OB) • Pre-occupancy
24	OCC	24 vac IN	Occupancy Input
25	Y2O	24 vac OUT	Cooling Stage 2 Output to Stage 2 Mechanical Cooling
26	Y2I	24 vac IN	Cooling Stage 2 Input from Commercial Thermostat
27	Y1O	24 vac OUT	Cooling Stage 1 Output to Stage 1 Mechanical Cooling
28	Y1I	24 vac IN	Cooling Stage 1 Input from Commercial Thermostat
29	C	COM	24 vac Common
30	R	24 vac	24 vac Power

Connecting Peripheral Devices to the Economizer Controller

See Fig. 85-89 for wiring details.

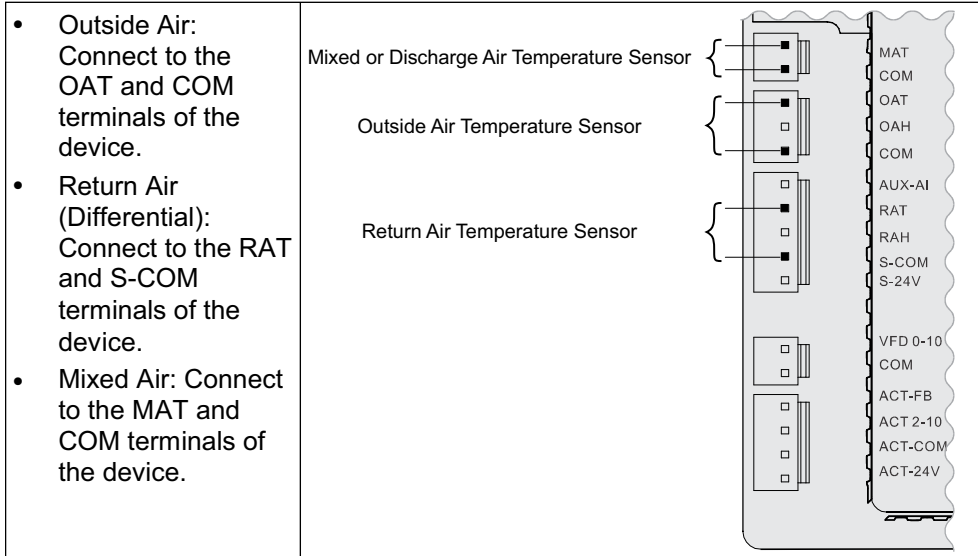


Fig. 85 — Temperature Sensor Connection

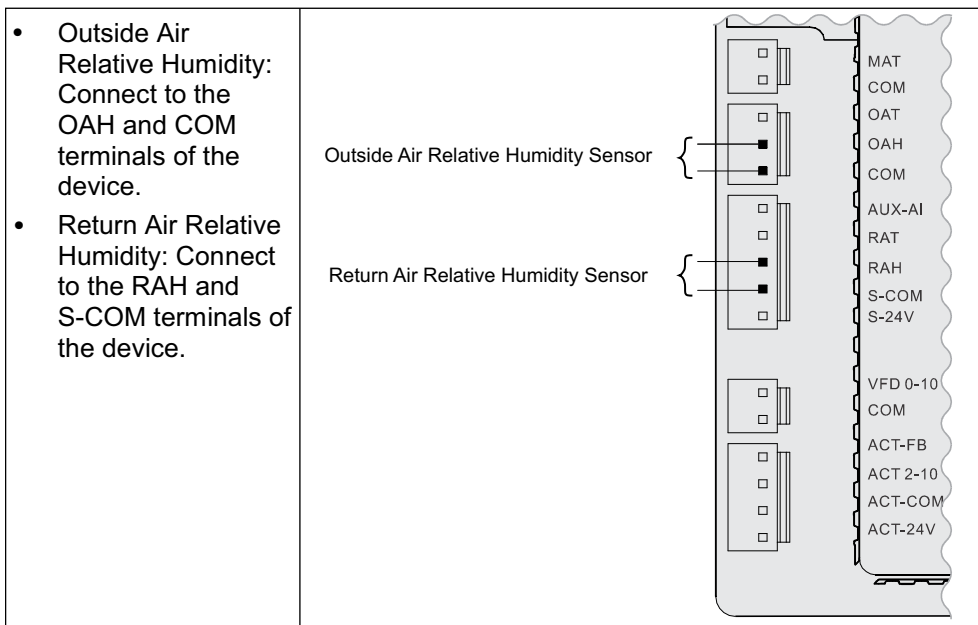


Fig. 86 — Relative Humidity Sensor Connection

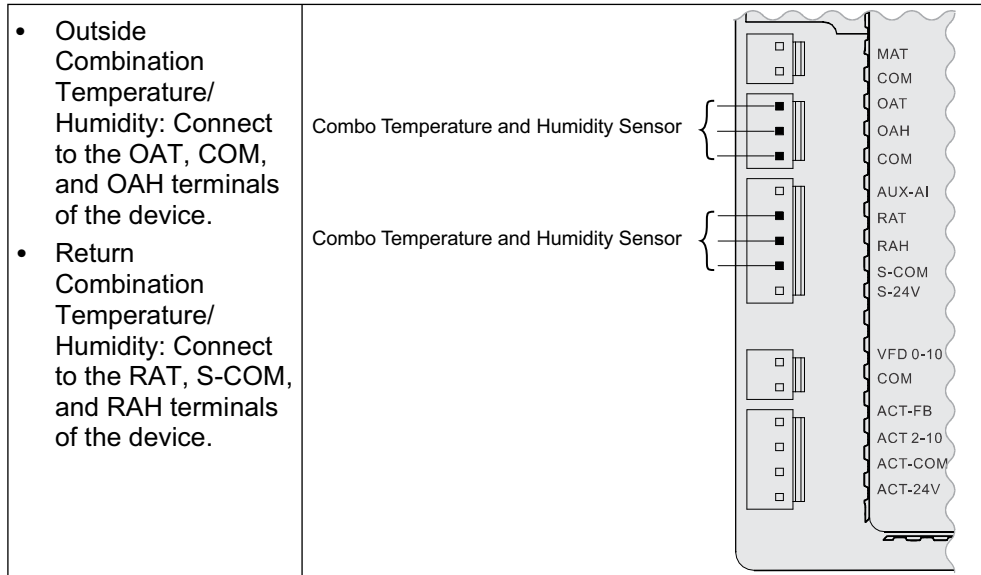


Fig. 87 — Combination Temperature/Humidity Sensor Connection

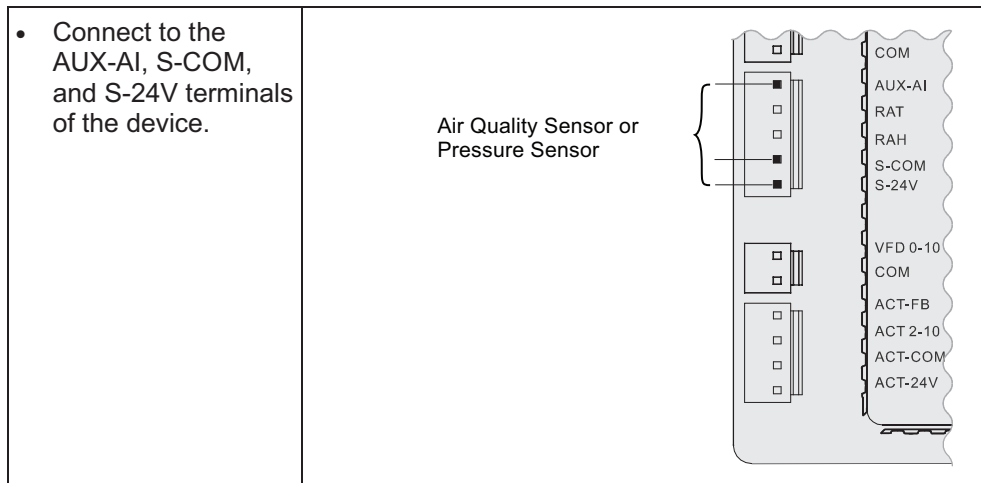


Fig. 88 — CO₂/Pressure Sensor Connection

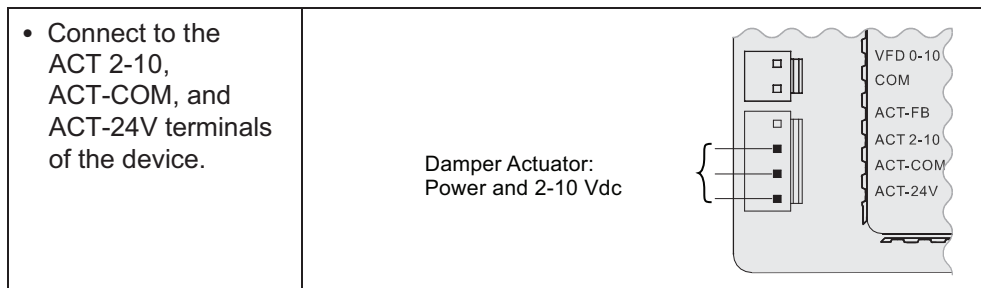


Fig. 89 — Damper Actuator Connection

SETUP AND CONFIGURATION

IMPORTANT: Before setup and configuration, it is recommended to obtain some location-based values, such as shutoff points, or utilize the location services in the Climatix™ mobile application.

Set up and configure the economizer controller before putting it into usage. This can be accomplished by using the Climatix™ mobile application or the inbuilt display. After sensor, compressor, thermostat, or actuator is connected to the economizer controller, values/statuses are displayed in the Operating section of the mobile application and on the LCD. Users can manually change basic and advanced settings, configure I/Os, and test the damper operation and any configured outputs by modifying the corresponding parameter values in the local device or mobile application. See Tables 19-26 for complete list of all parameters available on the LCD display. Refer to it during the setup and configuration process.

NOTE: For all units, the Climatix application login is: **Administrator**. For units coming from the factory with CO₂ configuration or single enthalpy (control mode 3), the controller password is OneBT2.1. For all other units, use the controller password OneBT.

NOTE: Parameters and display menus may display differently/dynamically if different applications are configured. See Tables 19-26.

IMPORTANT: Not all operations are available on the local POL224. For example, users can only obtain shutoff setpoints and perform cfm commissioning via the Climatix™ mobile application. Setup and configuration on the local device are only recommended if operations from the mobile application are unavailable. Check the mobile application for all operations that can be performed from the mobile application end.

IMPORTANT: By connecting the RS485 port to a PC, all parameters are also readable or writable from PC tools such as Modbus Poll.exe via Modbus®^a and Yabe.exe via BACnet®^a MSTP (Bps 38400 [default], Bps 9600, Bps 19200, Bps 115200). Note that an external End of Line (EOL) element is required to achieve Baud Rate 115200 at a maximum cable length of 4000 ft (1.2 km).

NOTE(S):

a. Third-party trademarks and logos are the property of their respective owners.

Table 19 – Status Display

PARAMETER	DESCRIPTION	VALUE
1FREECOOL	Indicates whether the system can use outdoor air for free cooling.	YES NO
1ECON ENAB	Indicates whether outdoor air is being used for the first stage of cooling.	
1OCCUPIED	Indicates whether the space is occupied. If users choose ALWAYS for 6OCC when configuring I/Os, then the parameter value is YES ; if users keep the default selection T-STAT for 6OCC and the controller receives 24-v signal from OCC input, then the value is YES . Otherwise, the value is NO .	ON OFF
1Y1-IN	Y1-In call from thermostat for Cooling Stage 1.	
1Y1-OUT	Y1-Out signal to compressor for Cooling Stage 1.	ON OFF
1Y2-IN	Y2-In call from thermostat for Cooling Stage 2.	
1Y2-OUT	Y2-Out signal to compressor for Cooling Stage 2. Dynamic item: Appears only if Y2-Out terminal is configured.	
1AUX1-I	Aux1-In signal Dynamic item: Appears only if Aux1-In terminal is configured.	
1AUX1-O	Aux1-Out signal Dynamic item: Appears only if Aux1-Out terminal is configured.	
1AUX2-I	Aux2-In signal Dynamic item: Appears only if Aux2-In terminal is configured.	
1AUX2-O	Aux2-Out signal Dynamic item: Appears only if Aux2-Out terminal is configured.	
1COMP STAGE	Indicates compressor current stage.	
1HEAT ENAB	Indicates whether heating is enabled.	YES NO
1MIX AIR LOW	Indicates whether the anti-freeze protection function is enabled for a mixed air temperature sensor. If the detected air temperature is lower than the anti-freeze protection setpoint (3FRZ PROT), then the parameter value is YES . Otherwise, it is NO .	
1MAT PRES	Indicates the present value of the mixed air temperature (MAT) sensor. Dynamic item: Appears only if MAT or AUTO is selected for 3DIF T LOC under Parameter Settings — Advanced on page 63.	The corresponding detected value is displayed on the LCD.
1LAT PRES	Indicates the present value of the leaving air temperature (LAT) sensor. Dynamic item: Appears only if LAT or AUTO is selected for 3DIF T LOC .	
1OAT PRES	Indicates the present value of the outdoor air temperature (OAT) sensor. Dynamic item: Appears only if an OAT sensor is configured.	
1OAH PRES	Indicates the present value of the outdoor air relative humidity (OAH) sensor. Dynamic item: Appears only if an OAH sensor is configured.	
1RAT PRES	Indicates the present value of the return air temperature (RAT) sensor. Dynamic item: Appears only if a RAT sensor is configured.	
1RAH PRES	Indicates the present value of the return air relative humidity (RAH) sensor. Dynamic item: Appears only if a RAH sensor is configured.	
1CO2 PRES	Indicates the present value of the CO ₂ sensor. Dynamic item: Appears only if a CO ₂ sensor is configured.	
1DCV STATUS	Indicates the demand controlled ventilation (DCV) status. Dynamic item: Appears only if a CO ₂ sensor is configured. Displays ON if the measured CO ₂ concentration value is above the DCV setpoint and OFF if below the DCV setpoint.	
1FAN SPD LV	Indicates the current fan speed status (low, medium, or high). If a one-speed fan is connected and configured, then this item is invisible. Dynamic item: Appears only if “ 6FAN ” is configured as “ 2SPEED ” under Parameter Settings — I/O Configurations on page 63.	L H
1ACT OUT	Indicates current position of damper actuator in V.	The corresponding detected value is displayed on the LCD.
1ACT FB	Indicates feedback signal of damper actuator in V.	
1ACT POS	Indicates current position of damper actuator in % Open.	
1ACT CNT	Indicates number of times actuator has cycled (1 cycle = 180 degrees of movement in any direction). Resettable via HMI item 8ACT CNT RESET under Enter Running State on page 65.	
1EQUIP	Indicates the equipment type. If HP(O) or HP(B) is chosen for 6AUX1-I , then the parameter value is HP(O) or HP(B) respectively. If neither is chosen, then the value is CON RTU .	HP(O) HP(B) CON RTU
1OAT LOCK	Indicates status of the OAT cooling lockout function.	NO LCKOUT OVRD
1INS	Indicates the installation date of the economizer controller. If the installation date is incorrect, press Enter to change and confirm month, date, and year.	—

Table 20 – Parameter Settings – Basic

PARAMETER	DESCRIPTION	RANGE	DEFAULT
2 TEMP OFF	Temperature shutoff setpoint can be obtained automatically if a smartphone or tablet with the mobile application installed on it is connected to the network provided by a Wi-Fi/WLAN stick plugged into the economizer controller. This can also be a manually defined setpoint.	48...80°F; increment by 1	63°F
2ENTH OFF	Enthalpy shutoff setpoint can be obtained automatically if a smartphone or tablet with the mobile application installed on it is connected to the network provided by a Wi-Fi/WLAN stick plugged into the economizer controller. This can also be a manually defined setpoint. Dynamic item: Appears only if an OAH sensor is configured.	22...30 Btu/lbm; increment by 1	28 Btu/lbm
2DVC	Demand controlled ventilation setpoint can be obtained automatically if a smartphone or tablet with the mobile application installed on it is connected to the network provided by a Wi-Fi/WLAN stick plugged into the economizer controller. This can also be a manually defined setpoint. Dynamic item: Appears only if a CO ₂ sensor is configured.	300...2000PPM; increment by 100	1100PPM
2FAN L ACT	Damper minimum position when fan runs at a low speed. Dynamic item: Appears only if "6FAN" is configured as "2SPEED" under Parameter Settings — I/O Configurations on page 63.	2...10V; increment by 0.1	3.6V
2FAN H ACT	Damper minimum position when fan runs at a high speed. Dynamic item: Appears only if "6FAN" is configured as "1SPEED" or "2SPEED".	2...10V; increment by 0.1	2.8V
2VENTMAX L	DCV maximum position when fan runs at a low speed. Dynamic item: Appears only if a CO ₂ sensor is configured and "6FAN" is configured as "2SPEED".	2...10V; increment by 0.1	3.6V
2VENTMAX H	DCV maximum position when fan runs at a high speed. Dynamic item: Appears only if a CO ₂ sensor is configured and "6FAN" is configured as "1SPEED" or "2SPEED".	2...10V; increment by 0.1	3.6V
2VENTMIN L	DCV minimum position when fan runs at a low speed. Dynamic item: Appears only if a CO ₂ sensor is configured and "6FAN" is configured as "2SPEED".	2...10V; increment by 0.1	3.1V
2VENTMIN H	DCV minimum position when fan runs at a high speed. Dynamic item: Appears only if a CO ₂ sensor is configured and "6FAN" is configured as "1SPEED" or "2SPEED".	2...10V; increment by 0.1	2.3V
CFM COMM	Air Flow Chart: CFM commissioning can only be initiated from the mobile application. When CFM commissioning is in progress, the local device reads "CFM COMM".	—	—
2DEGREES	Temperature unit (°F or °C).	—	°F
2FAN	Fan cfm.	100...50,000cfm; increment by 100	5000cfm
2EX1 L	Exhaust Fan 1 low-speed parameter setting. Dynamic item: Appears only if: • Exhaust Fan 1 is configured. • "6FAN" is configured as "2SPEED".	0...100%; increment by 1	65%
2EX1 H	Exhaust Fan 1 high-speed parameter setting. Dynamic item: Appears only if: • Exhaust Fan 1 is configured. • "6FAN" is configured as "1SPEED" or "2SPEED".	0...100%; increment by 1	50%
2EX2 L	Exhaust Fan 2 low-speed parameter setting. Dynamic item: Appears only if: • Exhaust Fan 2 is configured. • "6FAN" is configured as "2SPEED".	0...100%	80%
2EX2 H	Exhaust Fan 2 high-speed parameter setting. Dynamic item: Appears only if: • Exhaust Fan 2 is configured. • "6FAN" is configured as "1SPEED" or "2SPEED".	0...100%; increment by 1	75%
2THL	Temperature high limitation. Dynamic item: Appears only if an RAT sensor is configured.	0...100%; increment by 1	83%
2EHL	Enthalpy high limitation. Dynamic item: Appears only if an RAH sensor is configured.	30...50 Btu/lbm; increment by 1	33 Btu/lbm
2FAN DLY	Cooling delay via increasing fan speed.	0...30 min; increment by 1	5 min.

Table 21 — Parameter Settings — Advanced

PARAMETER	DESCRIPTION	VALUE/RANGE	DEFAULT
3FREEZE POS	Anti-freeze protection damper position (closed or minimum).	CLO MIN	CLO
3SD ACT POS	Damper position during shutdown (open or closed).	CLO OPN	CLO
3DIF T LOC	MAT sensor location: <ul style="list-style-type: none"> • Choose MAT if the sensor is installed before the DX (Direct Expansion) coil. • Choose LAT if the sensor is installed after the DX coil. • Choose AUTO to let the economizer controller automatically detect the location. 	MAT LAT AUTO	LAT
3LAT LOW	Low limit of leaving air temperature. Dynamic item: Appears only if LAT or AUTO is selected for 3DIF T LOC .	35...65°F; increment by 1	45°F
3LAT HIGH	High limit of leaving air temperature. Dynamic item: Appears only if LAT or AUTO is selected for 3DIF T LOC .	70...180°F; increment by 1	80°F
3OAT CAL	OAT sensor calibration.	-2.5...2.5°F; increment by 0.5	0°F
3RAT CAL	RAT sensor calibration. Dynamic item: Appears only if an RAT sensor is configured.	-2.5...2.5°F; increment by 0.5	—
3OAH CAL	OAH sensor calibration. Dynamic item: Appears only if an OAH sensor is configured.	-10...10%; increment by 0.5	0%
3RAH CAL	RAH sensor calibration. Dynamic item: Appears only if an RAH sensor is configured.		
3MAT CAL	MAT or LAT sensor calibration.	-2.5...2.5°F; increment by 0.5	0°F
3MAT SET	Setpoint of MAT or LAT sensor.	38...70°F; increment by 1	53°F
3FRZ PROT	Anti-freeze protection setpoint of MAT sensor.	35...55°F; increment by 1	45°F
3ACT TOLR	Actuator tolerance setpoint between output (in percent) and feedback (in percent).	0...15%; increment by 1	8%
3OAT LOCK	OAT lockout set point for anti-freeze protection.	-45...80°F; increment by 1	32°F
3OAT LCKOVRD	When OAT LOCKOUT is enabled, choose to override the cooling lockout function or not.	YES NO	NO
3OAT LOCKODLY	Indicates the overridden time if "YES" is selected for "3OAT LCKOVRD".	0...300 min; increment by 1	45 min.

Table 22 — Parameter Settings — I/O Configurations

PARAMETER	DESCRIPTION	VALUE	DEFAULT
6OCC	Configures whether occupancy status receives signal from the connected thermostat or is displayed as ALWAYS in the economizer controller.	T-STAT ALWAYS	T-STAT
6AUX1-I	Auxiliary DI-1. Configurable as: <ul style="list-style-type: none"> • None • Heat Conventional (W1) from thermostat • Heat pump (reversing valve O) • Heat pump (reversing valve B) • Pre-occupancy signal from thermostat • Shutdown signal from unit 	NONE HP(O) HP(B) PREOCC SHUTDWN	W1
6AUX2-I	Auxiliary DI-2. Configurable as: <ul style="list-style-type: none"> • None • Heat stage 1 (W1) from thermostat • Heat pump (reversing valve O) • Heat pump (reversing valve B) • Pre-occupancy signal from thermostat • Shutdown signal from unit NOTE: Whichever is chosen for 6AUX1-I does not appear in the list of 6AUX2-I.	NONE W1 HP(O) HP(B) PREOCC SHUTDWN	NONE
6OAT SIG	Configures signal type of OAT sensor.	0-10V NTC10K	NTC10K
6RAT SIG	Configures signal type of RAT sensor.	0-10V NTC10K NONE	NONE
6OAH SIG	Configures signal type of OAH sensor.	0-10V 4-20mA NONE	NONE
6RAH SIG	Configures signal type of RAH sensor.		
6MAT SIG	Configures signal type of MAT or LAT sensor.	0-10V NTC10K	NTC10K
6AUX-AI1	Auxiliary AI-1. Configurable as: <ul style="list-style-type: none"> • CO₂ sensor • Static pressure (temporarily for cfm commissioning) sensor • None 	PRESSURE CO ₂ NONE	NONE
6X-AI1 SIG	Configures CO ₂ sensor type. Dynamic item: Appears only if "CO ₂ " is selected for "6AUX-AI1".	0-10V 2-10V 0-5V	0-10V
6CO ₂ Rng L	Configures the low limit of CO ₂ measuring range. Dynamic item: Appears only if "CO ₂ " is selected for "6AUX-AI1".	0...500; increment by 10	0
6CO ₂ Rng H	Configures the high limit of CO ₂ measuring range. Dynamic item: Appears only if "CO ₂ " is selected for "6AUX-AI1".	1000...3000; increment by 50	2000
6AUX-AI2	Choose ACT FB if feedback signal is available from the connected damper actuator. Otherwise, choose NONE .	ACT FB NONE	ACT FB

Table 22 – Parameter Settings – I/O Configurations (cont)

PARAMETER	DESCRIPTION	VALUE	DEFAULT
6Y2O	Choose “ COOL 2 ” if Cooling Stage 2 is available (another compressor is connected to the Economizer). Otherwise, choose “ NONE ”.	COOL 2 NONE	COOL 2
6AUX1-O	Auxiliary DO-1. Configurable as: <ul style="list-style-type: none"> • None. • Exhaust fan (1 or 2). • Alarm output to thermostat (Title 24). 	NONE ALARM EXHAUST	EXHAUST
6AUX2-O	Auxiliary DO-2. Configurable as: <ul style="list-style-type: none"> • None. • Exhaust fan (1 or 2). • Alarm output to thermostat (Title 24). NOTE: Except for Exhaust Fan, whichever is chosen for 6AUX1-O does not appear in the list of 6AUX2-O.	NONE ALARM EXHAUST	ALARM
6RS485	Switch between MSTP and Modbus.	MSTP MODBUSSLV	MSTP

Table 23 – Alarm Parameters^{a,b}

PARAMETER	DESCRIPTION
NO ALARM	No alarm is activated.
4MAT SEN ALARM	MAT sensor has failed, gone out of range, or become disconnected.
4CO2 SEN ALARM	CO ₂ sensor has failed, gone out of range, or become disconnected.
4OAT SEN ALARM	OAT sensor has failed, gone out of range, or become disconnected.
4OAH SEN ALARM	OAH sensor has failed, gone out of range, or become disconnected.
4RAT SEN ALARM	RAT sensor has failed, gone out of range, or become disconnected.
4RAH SEN ALARM	RAH sensor has failed, gone out of range, or become disconnected.
4FREEZE ALARM	Anti-freeze notification when MAT sensor is below anti-freeze protection setpoint.
4RTU SHUTDOWN	Notification of Shutdown Active when SHUTDWN is chosen for 6AUX1-I or 6AUX2-I.
4ACTUATOR ALARM	Actuator gets disconnected or has failed.
4ACT UNDER V	Voltage received by the actuator is below expected range.
4ACT OVER V	Voltage received by the actuator is above expected range.
4ACT STALLED	Damper actuator stopped before achieving commanded position.
4ACT SLIPPING	Damper actuator slips after reaching commanded position.
4NOT ECON	Not economizing when it should.
4ECON SHOULDNT	Economizing when it should not.
4EXCESS OA	Excess outdoor air. Outside air intake is significantly higher than it should be.
4LLA ALARM	Leaving air temperature is lower than the low limit (3LAT LOW).
4HLA ALARM	Leaving air temperature is higher than the high limit (3LAT HIGH).

NOTE(S):

- a. All alarms are dynamic items. An alarm appears only if a related symptom mentioned above is detected.
- b. An alarm activation triggers a general alarm and then the configured system alarm output (AUX1-O or AUX2-O) is activated. If there is no alarm, then NO ALARM is displayed on the HMI.

Table 24 – Test Commands

PARAMETER	DESCRIPTION
7DAMPER MIN POS	Press Enter to test whether the economizer controller can drive damper to minimum position.
7DAMPER CLOSE	Press Enter to test whether the economizer controller can drive damper to 100% Closed.
7DAMPER OPEN	Press Enter to test whether the economizer controller can drive damper to 100% Open.
7DAMPER ALL	Press Enter to perform all the above tests.
7DAMPER	Press Enter to test whether the economizer controller can drive damper to the selected voltage.
7Y1O	Press Enter to test whether the economizer controller can turn on or off the first stage of cooling (close or open relay Y1O).
7Y2O	Press Enter to test whether the economizer controller can turn on or off the second stage of cooling (close or open relay Y2O).
7AUX1-O	Press Enter to test AUX1-O connection (close or open relay AUX1-O).
7AUX2-O	Press Enter to test AUX2-O connection (close or open relay AUX2-O).

Table 25 – Enter Running State

PARAMETER	DESCRIPTION
8RUN STATE	Change to Running State. Press Enter to confirm the change.
8ENTER RUN?	Confirm the change to Running State.
8FACTORY DEF	Perform factory reset. Press Enter to confirm the reset. (This action resets the controller password to default: OneBT.)
8DEF CONFIRM?	Confirm the factory resetting.
8ACT CNT RESET	Damper count reset.
8VER x.x.x	Firmware version information such as 0.1.10.

Table 26 – Enter Configuration State and Restart

PARAMETER	DESCRIPTION
5CONFIG STATE	Change to Configuration State. Press Enter to confirm the change.
5ENTER CONFIG?	Confirm the change to Configuration State.
5RESTART	Restart the economizer controller. Press Enter to confirm the restart.
5CONF RESTART	Confirm the restart.

INSTALLING OPTIONAL HH57LW001 SINGLE OUTSIDE AIR ENTHALPY SENSOR

When using the HH57LW001 enthalpy sensor (see Fig. 90) for outside air changeover, the existing HH79NZ039 dry bulb sensor (see Fig. 91) must be removed. The enthalpy sensor will be mounted in the same location as the dry bulb sensor (see Fig. 92). When the enthalpy sensor's OA (Outside Air) temperature, enthalpy, and dew point are below their respective setpoints, the outside air can be used for free cooling. When any of these are above the setpoint, free cooling will not be available. Enthalpy setpoints are configurable and create an enthalpy boundary according to the user's input. For additional details, see Fig. 93-94 and Table 27.

Harness 48TC005213 is required to be connected between the EconomizerONE harness in the return air chamber. Harness

48TC005213 has a 5-pin plug that connects directly to the HH57LW001 enthalpy sensor. The CRENTSEN001A00 accessory kit includes enthalpy sensor (HH57LW001) and associated 5-pin plug (48TC005213) and may be ordered as a finished good.

Enthalpy Control Sensor Configuration

The optional enthalpy control sensor (P/N: HH57LW001) communicates with the POL224 economizer controller using the 5-wire harness, 48TC005213. The HH57LW001 sensor can be used as a single outside air enthalpy, a differential return enthalpy, or a differential return temperature sensor. Refer to the base unit control wiring diagrams found earlier in this book to wire the HH57LW001 enthalpy sensor for each option. Use Fig. 90 and Table 29 on page 68 to locate the wiring terminals for each enthalpy control sensor.

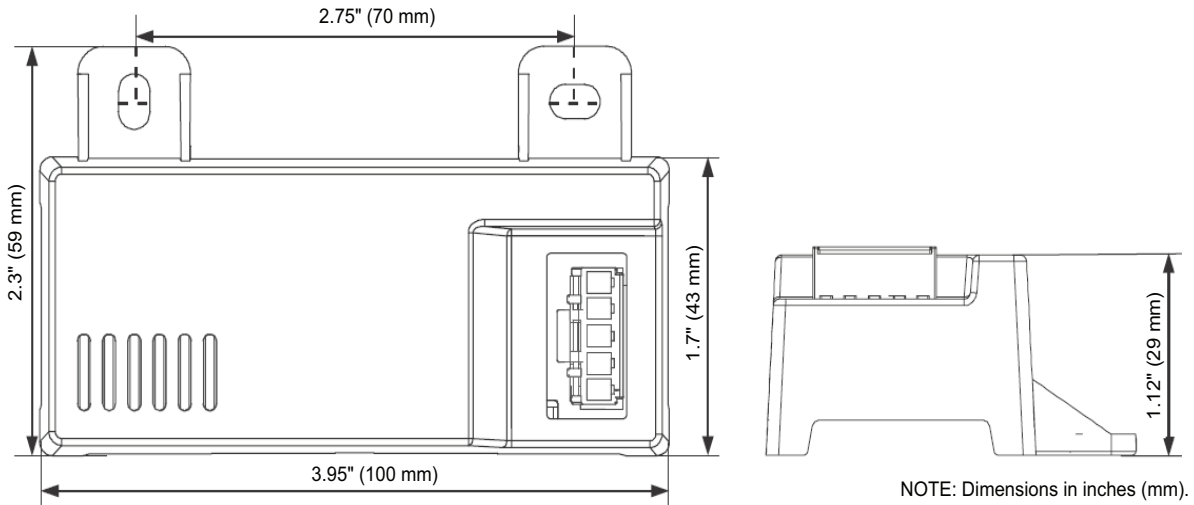


Fig. 90 – HH57LW001 Dimensional, Connection and Switching Information

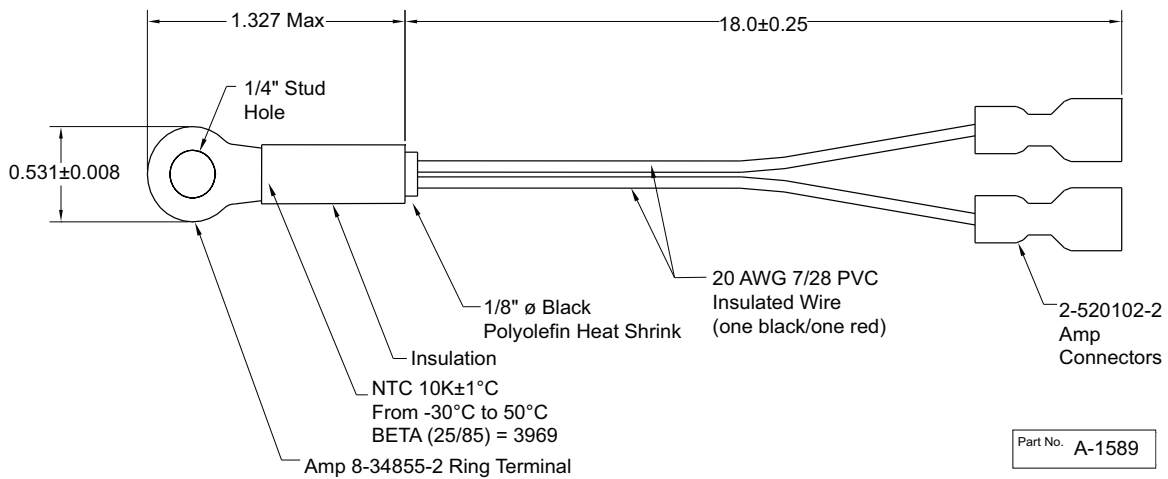


Fig. 91 – HH79NZ039 Dry Bulb and Mixed Air Sensor Wiring

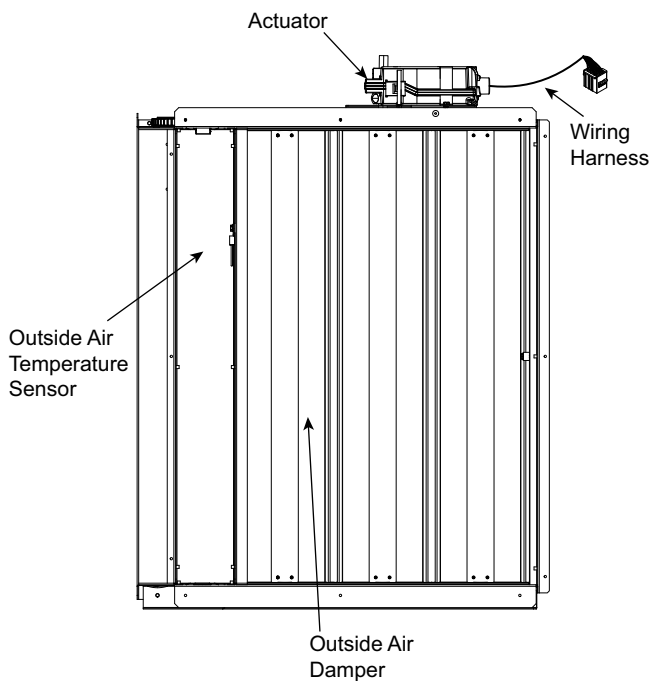


Fig. 92 – EconomizerONE Component Locations (CRECOMZR108A00 Shown)

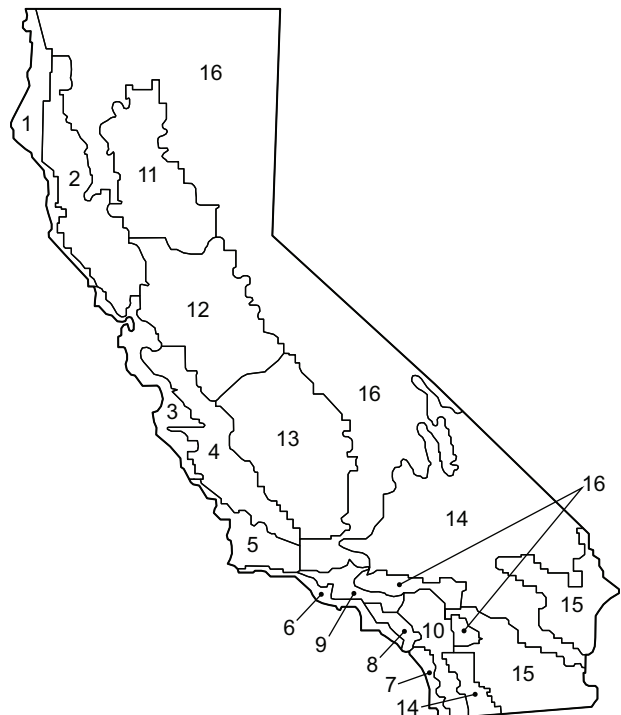


Fig. 93 – California Title 24 Zones

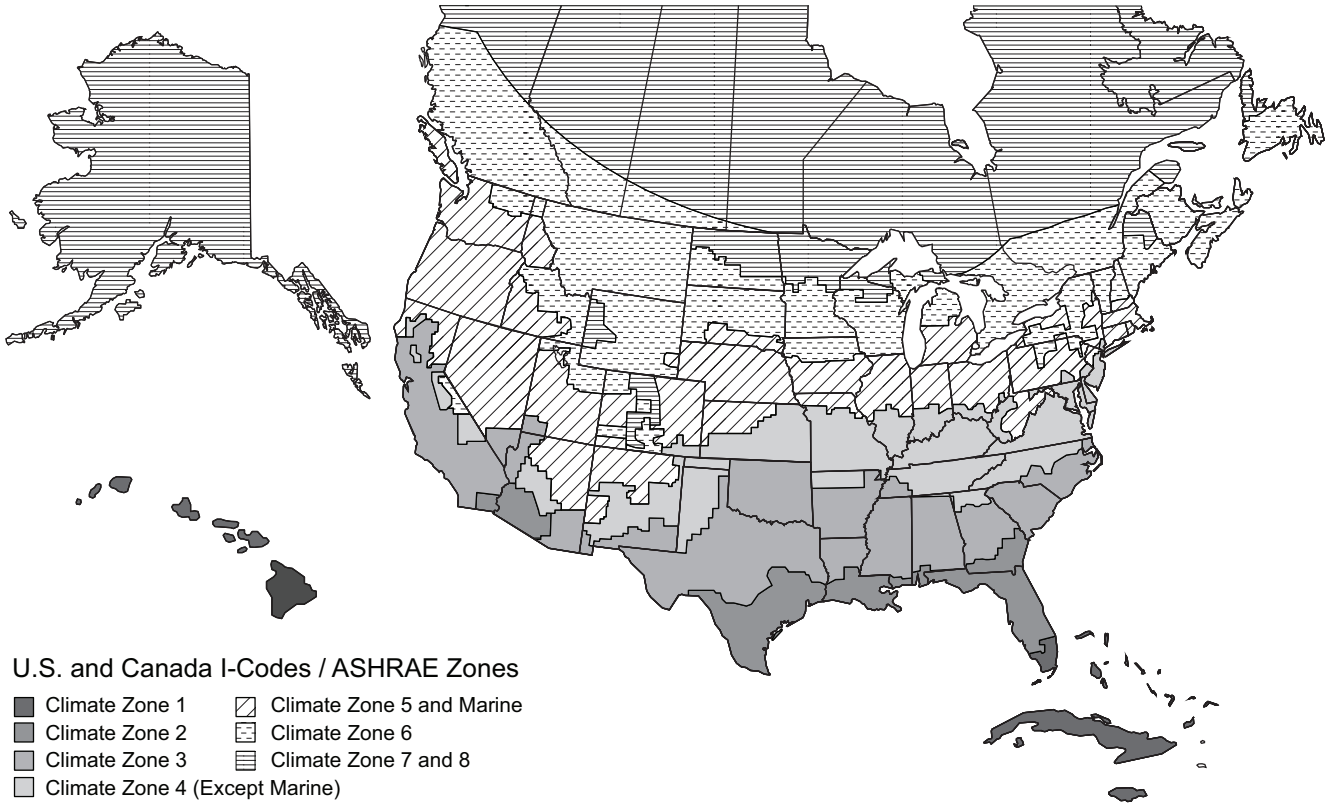


Fig. 94 – U.S. and Canada Climate Zones

Table 27 – Enthalpy Manual Entry Setpoints for EconomizerONE Per Climate Zone

CLIMATE ZONES ^a	2 TEMP OFF	LOWEST SETTING	RH%	2 ENTH OFF	RH%	2THL	2EHL	RH%
1	65°F	22 Btu/lbm	43%	28 Btu/lbm	86%	83°F	33 Btu/lbm	48%
2	65°F	22 Btu/lbm	43%	28 Btu/lbm	86%	83°F	33 Btu/lbm	48%
3	65°F	22 Btu/lbm	43%	28 Btu/lbm	86%	83°F	33 Btu/lbm	48%
4	65°F	22 Btu/lbm	43%	28 Btu/lbm	86%	83°F	33 Btu/lbm	48%
5	70°F	22 Btu/lbm	28%	28 Btu/lbm	65%	83°F	33 Btu/lbm	48%
6	70°F	22 Btu/lbm	28%	28 Btu/lbm	65%	83°F	33 Btu/lbm	48%
7 and 8	75°F	22 Btu/lbm	19%	28 Btu/lbm	50%	83°F	33 Btu/lbm	48%
CALIFORNIA TITLE 24 ZONES ^b	2 TEMP OFF	LOWEST SETTING	RH%	2 ENTH OFF	RH%	2THL	2EHL	RH%
1	75°F	22 Btu/lbm	19%	28 Btu/lbm	50%	83°F	33 Btu/lbm	48%
2	73°F	22 Btu/lbm	22%	28 Btu/lbm	55%	83°F	33 Btu/lbm	48%
3	75°F	22 Btu/lbm	19%	28 Btu/lbm	55%	83°F	33 Btu/lbm	48%
4	73°F	22 Btu/lbm	22%	28 Btu/lbm	55%	83°F	33 Btu/lbm	48%
5	75°F	22 Btu/lbm	19%	28 Btu/lbm	50%	83°F	33 Btu/lbm	48%
6	71°F	22 Btu/lbm	28%	28 Btu/lbm	62%	83°F	33 Btu/lbm	48%
7	69°F	22 Btu/lbm	32%	28 Btu/lbm	68%	83°F	33 Btu/lbm	48%
8	71°F	22 Btu/lbm	28%	28 Btu/lbm	62%	83°F	33 Btu/lbm	48%
9	71°F	22 Btu/lbm	28%	28 Btu/lbm	62%	83°F	33 Btu/lbm	48%
10	73°F	22 Btu/lbm	22%	28 Btu/lbm	55%	83°F	33 Btu/lbm	48%
11	75°F	22 Btu/lbm	19%	28 Btu/lbm	50%	83°F	33 Btu/lbm	48%
12	75°F	22 Btu/lbm	19%	28 Btu/lbm	50%	83°F	33 Btu/lbm	48%
13	75°F	22 Btu/lbm	19%	28 Btu/lbm	50%	83°F	33 Btu/lbm	48%
14	75°F	22 Btu/lbm	19%	28 Btu/lbm	50%	83°F	33 Btu/lbm	48%
15	75°F	22 Btu/lbm	19%	28 Btu/lbm	50%	83°F	33 Btu/lbm	48%
16	75°F	22 Btu/lbm	19%	28 Btu/lbm	50%	83°F	33 Btu/lbm	48%
CONTROLLER DEFAULT SETTINGS	2 TEMP OFF	—	—	2 ENTH OFF	—	2THL	2EHL	RH%
DEFAULT SET POINTS	63°F	—	—	28 Btu/lbm	94%	83°F	33 Btu/lbm	48%

NOTE(S):

- a. See Fig. 94 for map of U.S. and Canada climate zones.
- b. See Fig. 93 for map of California Title 24 zones.

Economizers are shipped standard with an HH79NZ039 outside air dry bulb sensor (see Fig. 91). System default setting (high temp limit) is 63°F (17°C) and has a range of 48°F to 80°F (9°C to 27°C). Sensor is factory installed on economizer.

NOTE: A second HH79NZ039 sensor is provided for mixed air temperature.

NOTE: California high temperature setting requirements by region are shown in Table 28.

Enthalpy Settings (Enthalpy Option)

If installing the optional HH57LW001 enthalpy sensor, the HH79NZ039 dry bulb outside air sensor must first be removed. Wire sensor to harness 48TC005213 and the (5) wires from the harness to the EconomizerONE harness in the return air chamber. Harness 48TC005213 has a 5-pin plug that connects directly to the HH57LW001 enthalpy sensor. Refer to the base unit control wiring diagrams earlier in this book for wiring connections. Refer to Fig. 90 and Table 29.

California's Title 24 High Temperature Limit Settings

California's Title 24 code requires a high temperature limit setting for all dry bulb outside air economizer changeover. The temperatures vary by the region within California. See Table 28 for high limit settings.

Table 28 — California Title 24 Regional High Limit Dry Bulb Temperature Settings^a

DEVICE TYPE ^b	CLIMATE ZONES	REQUIRED HIGH LIMIT (ECONOMIZER OFF WHEN):
		DESCRIPTION
FIXED DRY BULB	1, 3, 5, 11-16	OAT exceeds 75°F (23.8°C)
	2, 4, 10	OAT exceeds 73°F (22.7°C)
	6, 8, 9	OAT exceeds 71°F (21.6°C)
	7	OAT exceeds 69°F (20.5°C)
DIFFERENTIAL DRY BULB	1, 3, 5, 11-16	OAT exceeds RA temperature
	2, 4, 10	OAT exceeds return air temperature -2°F (-18.8°C)
	6, 8, 9	OAT exceeds return air temperature -4°F (-20°C)
	7	OAT exceeds return air temperature -6°F (-21.1°C)
FIXED ENTHALPHY ^c + FIXED DRY BULB	All	OAT exceeds 28 Btu/lb of dry air ^b or OAT exceeds 75°F (23.8°C)

NOTE(S):

- This table sourced from 2019 California Energy Code, Title 24, Part 6, Table 140.4-E Air Economizer High Limit Shut Off Control Requirements.
- Only the high limit control devices listed are allowed to be used and at the set points listed. Others such as Dew Point, Fixed Enthalpy, Electronic Enthalpy, and Differential Enthalpy Controls, may not be used in any climate zone for compliance with Section 140.4(e)1 unless approval for use is provided by the Energy Commission Executive Director.
- At altitudes substantially different than sea level, the Fixed Enthalpy limit value shall be set to the enthalpy value at 75°F and 50% relative humidity. As an example, at approximately 6,000 foot elevation, the fixed enthalpy limit is approximately 30.7 Btu/lb.

LEGEND

- OAT — Outdoor-air Thermostat
RA — Return Air

Table 29 — HH57LW001 Sensor Wiring Terminations

TERMINAL		TYPE	DESCRIPTION
NUMBER	LABEL		
1	TCOM	NTC 10k	Outside Air Temperature Sensor Output
2	TSIG	NTC 10k	Outside Air Temperature Sensor Output
3	HSIG	0-10 vdc	Outside Air Relative Humidity Sensor Output
4	HCOM	COMMON	Sensor 24-v Common Input
5	H24V	24 vac	Sensor 24-v Operating Voltage Input

CHECKOUT

Inspect all wiring connections at the economizer module's terminals, and verify compliance with the installation wiring diagrams. For checkout, review the Status of each configured parameter and perform the Test Commands tests (refer to Table 24).

For information about menu navigation and use of the keypad see Interface Overview on page 50.

WARNING

ELECTRIC SHOCK HAZARD

Failure to follow this warning could result in personal injury, property damage, or death.

Before performing service or maintenance operations on unit, always turn off main power switch to unit and install lock(s) and lockout tag(s). Unit may have more than one power switch. Ensure electrical service to rooftop unit agrees with voltage and amperage listed on the unit rating plate.

If any wiring changes are required, first be sure to remove power from the economizer module before starting work. Pay particular attention to verifying the power connection (24 vac).

Power Up

After the POL224 module is mounted and wired, apply power.

Initial Menu Display

On initial start up, "Welcome" displays on the economizer HMI screen. After a brief pause, the Parameter Settings — I/O Configuration (refer to Table 22) of the software appears, allowing the user to check that presets and default values are configured correctly.

Power Loss (Outage or Brownout)

All set points and advanced settings are restored after any power loss or interruption.

NOTE: All settings are stored in non-volatile flash memory.

Status

Use the Status menu (refer to Table 19) to check the parameter values for the various devices and sensors configured.

NOTE: For information about menu navigation and use of the keypad, see Interface Overview on page 50.

Checkout Tests

Use the Test Commands menu (refer to Table 24) to test the damper operation and any configured outputs. Only items that are configured are shown in the Test Commands menu.

NOTE: For information about menu navigation and use of the keypad, see Interface Overview on page 50.

To perform a Test Command test:

1. Scroll to the desired test in Test Command menu 7 using the Up and Down buttons.
2. Press the Enter button to select the item. RUN? appears.
3. Press the Enter button to start the test. The unit pauses and then displays IN PROGRESS. When the test is complete, DONE appears.
4. When all desired parameters have been tested, press Enter + Up to end the test.

The Checkout tests can all be performed at the time of installation or at any time during the operation of the system as a test that the system is operable.

CAUTION

EQUIPMENT DAMAGE HAZARD

Failure to follow this caution may result in equipment damage.

Be sure to allow enough time for compressor start-up and shutdown between checkout tests so that you do not short-cycle the compressors.

TROUBLESHOOTING

For EconomizerONE troubleshooting issues see Table 30.

Table 30 – Operating Issues and Concerns

SYMPTOM	REASON	SOLUTION
An alarm is displayed on the LCD	Sensor, damper, or the whole working system may not work properly	Check sensor, damper, or the whole working system following the detailed alarm information.
DAC LED is blinking RED	Damper slippage	Check whether the damper works properly.
DAC LED is blinking RED quickly	Damper unplugged	Check whether the damper is connected.
DAC LED is OFF	Terminal ACT-FB is configured but there is no available feedback signal	Check whether the feedback signal is connected; check if ACT-FB is faulty.
Economizer controller has no alarm, but the Free Cooling LED will not turn on when the OA seems to be suitable for Free Cooling	Shutoff SP setting error	Shutoff temperature and/or enthalpy set point is incorrectly set up. Consult an HVAC professional to set up the shutoff set point correctly.
	OA temp is too low	The OA temperature is too low; therefore, there is no cooling demand. This could possibly enable anti-freeze protection.
	OA temp is too high or too humid	In DIFF mode, even though OA temperature is lower than RA temperature, if both OA and RA temperatures exceed the high limit, then Free Cooling turns off. In Differential Enthalpy control mode, even though OA enthalpy is lower than RA enthalpy, if both OA and RA enthalpy exceed the high limit, then Free Cooling turns off.
Economizer controller/mechanical cooling is not operating	No input power	Use a multi-meter to check whether there is 24 vac ± 25% (18-30 vac) at the POWER terminals. If there is no voltage or if the voltage is significantly low, then check the transformer output voltage at the RTU. If 24-v is not present at the transformer secondary side, then check the primary line voltage to the transformer. If the line voltage is not present at the transformer primary side, then check the primary power to the RTU, fuses, circuit breaker, and so on.
	Brownout	If voltage is below 17-v, then the economizer controller may be in Brownout Protection mode. This mode disables all of the relay outputs. When the power is 19 vac or higher, the economizer controller and RTU operate normally.
	Y1/Y2 signal is missing from the thermostat	Mechanical cooling does not run until there is cooling demand (Y1/Y2 Active). Check the wiring from Y11 and Y21 terminals to the commercial thermostat. 24-v should be present between Y11/Y21 and Y10/Y20 respectively.
	24 vac~ and 24 vac ⊥ are incorrectly wired	24 vac power supply has polarity when all devices are powered by the same 24 vac transformer; reversing polarity may cause a short circuit that can damage the system. Follow the transformer polarity mark, check the wiring of 24-v~ (or G or 24-v+), and ensure that they are tied to the same polar of 24 vac power supply; while checking the wiring of ⊥ (or G0 or 24-v- or COM), ensure that they are all tied to another polar of 24 vac power supply.
Firmware update failure	Application file is damaged, operation is incorrect, and/or USB flash disk does not work properly	Reload a BIN file, restart the controller, update firmware ^a , or change a USB flash disk. Contact service provider if failure still exists.
Free Cooling LED is solid RED	Sensor, damper, or whole working system may not work properly	Check sensor, damper, or the whole working system following the detailed alarm information.
Free Cooling LED is blinking RED	Not economizing when it should	Check the whole economizer working system, such as the sensor, damper, and thermostat.
Incorrect controller password error on mobile application	For CO ₂ and single enthalpy (control mode 3) configurations from the factory, the password has changed	For units coming from the factory with CO ₂ configuration or single enthalpy (control mode 3), use the controller password OneBT2.1. For all other units, use the controller password OneBT. Performing a factory reset on the controller will also reset the password to OneBT.
RS485 communication failure	RS485 signal or configuration error	Check wiring, configuration, Baud Rate (using mobile application), and other network communication parameters.
Sensor LED is blinking RED	Excess outdoor air	Check the whole economizer working system, such as the sensor, damper, and thermostat.
Sensor LED is solid RED	Mixed Air (MA) sensor error	Check the MA sensor. It must be either a Type II NTC 10K or 0-10 vdc sensor.
	Outside Air (OA)/Return Air (RA) sensor error	Check the wiring and signal of the OA sensor. If in Differential (DIFF) mode, also check the RA sensor. The following sensor signals are valid: Type II NTC 10K or 0-10 vdc temperature. 0-10 vdc or 4-20 mA humidity.
	Air temperature failure/fault	Check the air temperature sensor signal. The valid signal must be Type II NTC 10K or 0-10 vdc.
Sensor LED is OFF	CO ₂ sensor error	Check CO ₂ sensor connection, sensor signal (under range or over range), and sensor signal type.
Sensor LED is YELLOW	Humidity sensor error	Check humidity sensor connection, sensor signal (under range or over range), and sensor signal type.
Wi-Fi connection failure	Wi-Fi/WLAN stick error or wrong user name and password	Unplug and re-plug in the Wi-Fi/WLAN stick, enter a correct user name and password, restart the controller, or replace the Wi-Fi/WLAN stick. If the Wi-Fi/WLAN stick is POL903.00/100, then the default user name and password are Siemens-WLAN-Stick and SIBPAdmin. DNS name is siemens.wlanstick. Contact Application Engineering for information on this accessory.

NOTE(S):

- a. Back up configurations before firmware update. All the previous configuration data is erased after firmware update. Contact Application Engineering for more information on support for firmware.
IMPORTANT: If the controller enters the configuration state for the convenience of I/O configurations, then users can manually switch to the running state after finishing configurations. To do so, press Enter + Up at the same time, then press Enter to confirm the switch after 8RUN STATE appears on the LCD.

Adjust Factory-Installed Options

SMOKE DETECTORS

Smoke detectors are available as factory-installed options on 50GE models. Smoke detectors may be specified for supply air only, for return air without or with economizer, or in combination of supply air and return air. Return-air smoke detectors are arranged for vertical return configurations only. The unit is factory-configured for immediate smoke detector shutdown operation; additional wiring or modifications to unit terminal board may be necessary to complete the unit and smoke detector configuration to meet project requirements.

Refer to the *Factory-Installed Smoke Detectors for Small and Medium Rooftop Units 2 to 25 Tons* application data for discussions on additional control features of these smoke detectors including multiple unit coordination.

ECONOMIZERONE OCCUPANCY SWITCH

External occupancy control is managed through a connection on the Unit Control Board.

If external occupancy control is desired, connect a time clock or remotely controlled switch (closed for Occupied, open for Unoccupied sequence) at terminals marked OCCUPANCY. Detach the jumper covering the “Occupancy” terminals on the UCB and then attach the required connections.

Step 12 — Install Accessories

Available accessories include:

- Roof curb
- Thru-base connection kit (must be installed before unit is set on curb)
- LP conversion kit
- Flue discharge deflector
- Manual outside air damper
- Two-position motorized outside air damper
- EconomizerONE (with POL224 control)
- Power exhaust
- Outdoor enthalpy sensor
- Differential enthalpy sensor (EconomizerONE)
- CO₂ sensor
- Louvered hail guard
- Low ambient kit
- Phase monitor control

Refer to separate installation instructions for information on installing these accessories.

Step 13 — Fan Speed Set Up

These units contain two vane axial fan assemblies. Both fans operate from the same 0-10 vdc signal. Units in the downshot supply (vertical) duct configuration will operate both fans at the same speed setting. In units with a horizontal duct configuration the fans will operate at two different speeds. The fan closest to the control box will operate the user defined speed setting. The fan closest to the supply duct opening will operate at a lower speed that is a predetermined and non-configurable offset from the user speed setting.

NOTE: The indoor fan motors are equipped with internal protection relays designed to disable unit operation when a problem is detected. See Typical Wiring Diagram (Fig. 61) for the red wires in the Indoor fan plug.

Units with two fan motors are wired to connect the motor protection relays in series. If one motor detects a problem, both motors shut down and unit operation is disabled.

UNITS WITH ELECTROMECHANICAL CONTROLS

The fan speed set up controls are located on the lower section of the Unit Control Board (UCB). See Fig. 95.

1. Check the job specifications for the CFM (cubic feet per minute) and ESP (external static pressure) required.
2. Using the chart on the Fan Speed Set Up labels (see Fig. 96), calculate the vdc from the CFM and ESP for the base unit. Then add vdc for any accessories installed per the “Field Accessories” section of the label.

NOTE: The Fan Speed Set Up labels are located on the High Voltage cover in the Control Box.

3. Connect a multimeter to the vdc terminals on the UCB.
4. Set the Range Switch to either A, B, or C per the Switch Range table.
5. Using a straight blade screwdriver, turn the vdc control dial to fine tune the vdc reading.
6. Record the reading in the Field Setting field.

NOTE: Fan set-up vdc is not affected by the operating stage of the unit.

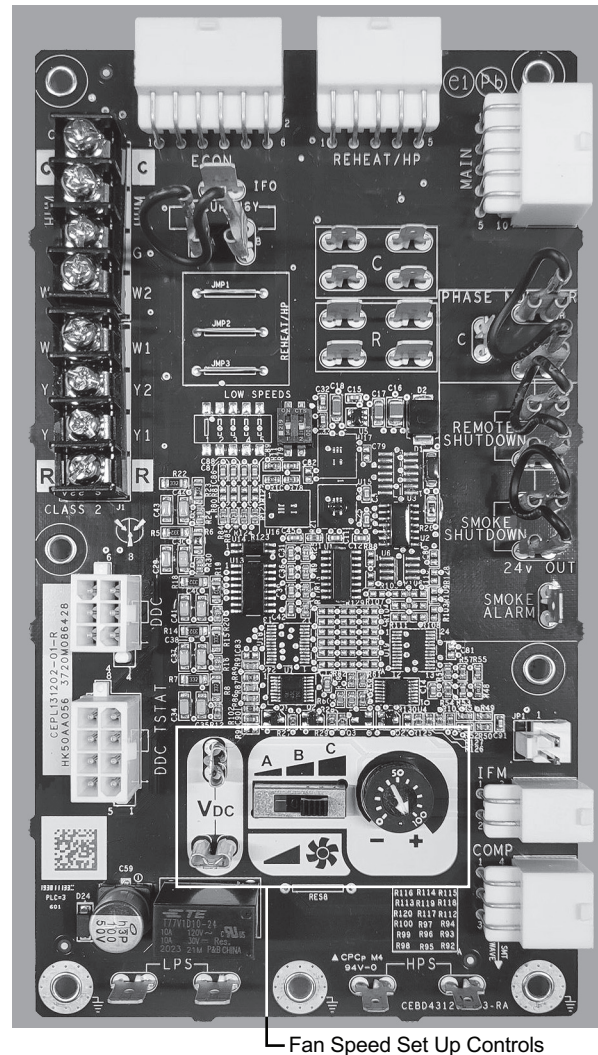
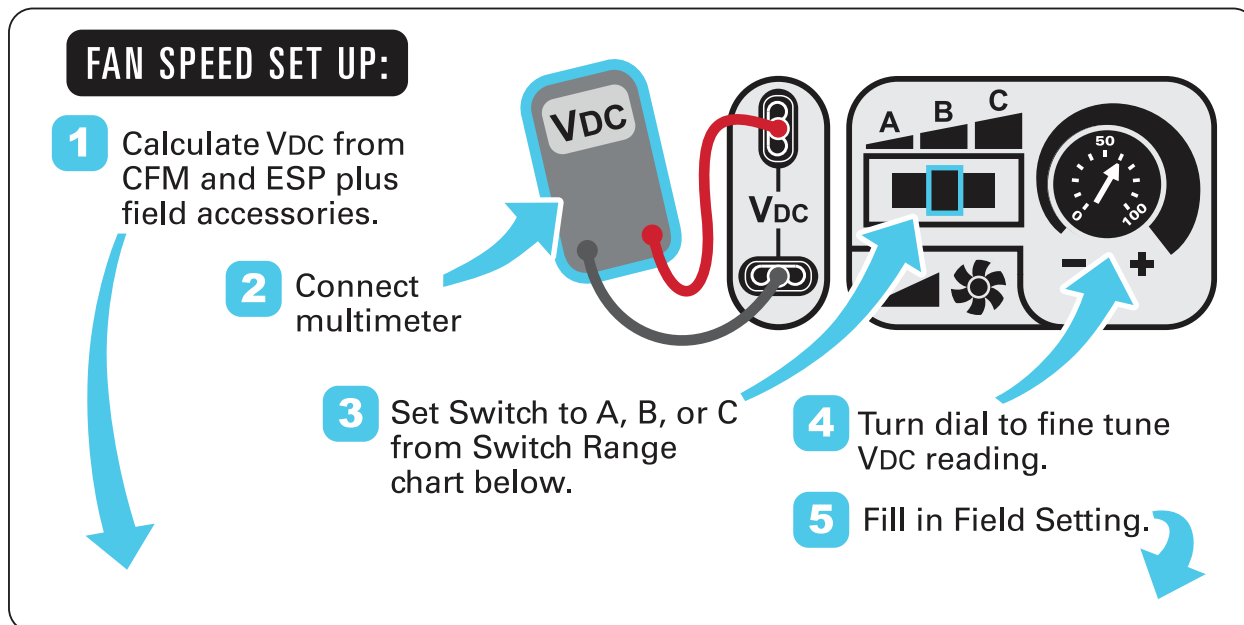


Fig. 95 — UCB Fan Speed Controls



Vdc Calculator		ESP in. wg										
		0.2	0.4	0.6	0.8	1.0	1.2	1.4	1.6	1.8	2.0	
UNIT MODEL NUMBER	CFM	6000	5.6	6.1	6.5	6.9	7.3	7.6	8.0	8.3	8.6	8.9
		6500	6.0	6.4	6.8	7.2	7.6	7.9	8.3	8.6	8.9	9.2
		7000	6.4	6.8	7.2	7.6	7.9	8.2	8.6	8.9	9.2	9.5
		7500	6.8	7.2	7.5	7.9	8.2	8.6	8.9	9.2	9.5	9.7
		8000	7.2	7.6	7.9	8.2	8.6	8.9	9.2	9.5	9.8	
		8500	7.6	8.0	8.3	8.6	8.9	9.2	9.5	9.8		
		9000	8.0	8.4	8.7	9.0	9.3	9.6	9.8			
		9500	8.5	8.8	9.1	9.3	9.6	9.9				
		10000	8.9	9.2	9.4	9.7	10.0					
		Field Accessories:										
	Economizer	0.4	0.4	0.4	0.4	0.4	0.4	0.4	0.4	0.4	0.4	

Factory Setting:
9.0 Vdc

Field Setting:
Record field setting here
_____ VDC

Switch Range: *

	A	B	C
A	4.1 - 7.5		
B		6.9 - 8.7	
C			7.7 - 10.0

* Overlap in A, B, C switch range designed for maximum field adjustment potential. For example 7.2 can be set at either A or B.

NOTE(S): Values in the Field Accessories section are VDC adds.

Fig. 96 — Example of Fan Speed Set Up Labels for Electromechanical Controls

UNITS WITH SYSTEMVU™ CONTROLS

On units equipped with the factory-installed SystemVu controller, the Fan Speed settings are accessed through the SystemVu interface.

1. Check the job specifications for the CFM (cubic feet per minute) and ESP (external static pressure) required.
2. Using the chart on the Fan Speed Set Up labels (see Fig. 97), calculate the RPM from the CFM and ESP for the base unit plus any field accessories (as listed on the label).

NOTE: The Fan Speed Set Up labels are located on the High Voltage cover in the Control Box.

3. Press any key on the SystemVu interface to activate the display backlight and then press the MENU key.
4. Using the UP and DOWN arrow keys highlight SETTINGS and then press ENTER.

5. Use the DOWN arrow key highlight the UNIT CONFIGURATIONS menu then press ENTER.
6. Highlight UNIT CONFIGURATIONS then press ENTER.
7. Highlight INDOOR FAN and then press ENTER.
8. Refer to the job specifications to set the following, determining the values per the RPM Calculator label (see Fig. 97). Use the UP and DOWN arrow keys and the BACK key to set the values. Press ENTER after setting each value to continue to the next selection.
 - IDF VENT SPD
 - IDF HEAT SPD
 - IDF HIGH COOL SPD
 - IDF FREE COOL SPD

For further details, see the *FE/GE Series Single Package Rooftop Units with SystemVu Controller Controls, Start-up, Operation and Troubleshooting* manual.

MAIN MENU:

FAN SPEED SETUP (RPM)

SETTINGS

↳ UNIT CONFIGURATIONS

↳ INDOOR FAN

- ↳ IDF VENT SPD -RPM
- ↳ IDF HEAT SPD -RPM
- ↳ IDF HIGH COOL SPD -RPM
- ↳ IDF FREE COOL SPD -RPM

↓ DETERMINE RPM FROM BELOW ↓

48TC003136 REV. B

RPM Calculator

		ESP in. wg																		
		0.2	0.4	0.6	0.8	1.0	1.2	1.4	1.6	1.8	2.0									
UNIT MODEL NUMBER	CFM																			
	6000	1250	1348	1441	1528	1610	1688	1762	1832	1899	1963									
	6500	1336	1428	1515	1598	1677	1753	1824	1893	1959	2021									
	7000	1423	1509	1591	1670	1746	1819	1888	1955	2020	2081									
	7500	1510	1591	1669	1744	1817	1887	1954	2019	2082	2143									
	8000	1598	1675	1749	1820	1890	1957	2022	2085	2146										
	8500	1687	1759	1829	1898	1964	2029	2092	2153											
	9000	1776	1845	1912	1977	2041	2103	2163												
	9500	1866	1931	1995	2057	2118	2178													
	10000	1955	2018	2079	2138	2197														
Field Accessories:																				
Economizer		89	89	89	89	89	89	89	89	89	89									

NOTE(S): Values in the Field Accessories section are RPM address.

Fig. 97 — Example of Fan Speed Set Up Labels for SystemVu™ Controls

COMPRESSOR ROTATION

⚠ CAUTION

EQUIPMENT DAMAGE HAZARD

Failure to follow this caution can result in premature wear and damage to equipment.

Scroll compressors can only compress refrigerant if rotating in the right direction. Reverse rotation for extended times can result in internal damage to the compressor. Scroll compressors are sealed units and cannot be repaired on site location.

NOTE: When the compressor is rotating in the wrong direction, the unit makes an elevated level of noise and does not provide cooling.

On 3-phase units with scroll compressors, it is important to be certain compressor is rotating in the proper direction. To determine whether or not compressor is rotating in the proper direction:

1. Connect service gauges to suction and discharge pressure fittings.
2. Energize the compressor.
3. The suction pressure should drop and the discharge pressure should rise, as is normal on any start-up.

NOTE: If the suction pressure does not drop and the discharge pressure does not rise to normal levels, the evaporator fan is probably also rotating in the wrong direction.

4. Turn off power to the unit.
5. Reverse any two of the three unit power leads.
6. Reapply electrical power to the compressor. The suction pressure should drop and the discharge pressure should rise which is normal for scroll compressors on start-up.

- Replace compressor if suction/discharge pressures are not within specifications for the specific compressor.

The suction and discharge pressure levels should now move to their normal start-up levels.

PRESSURE RELIEF VALVES

Units with the pressure relief option contain a pressure relief valve in the unit liquid line for compliance with Chicago Municipal Code 18-28-1102.3. The pressure relief valve is set to open above 650 PSI and is intended to vent refrigerant in the event the refrigerant pressure exceeds the equipment design pressure. The pressure relief valve is single use and must be replaced after refrigerant discharge.

The relief valve can be found behind the unit access panel with a label indicating its location. See Fig. 98 and Fig. 99 for example location details.

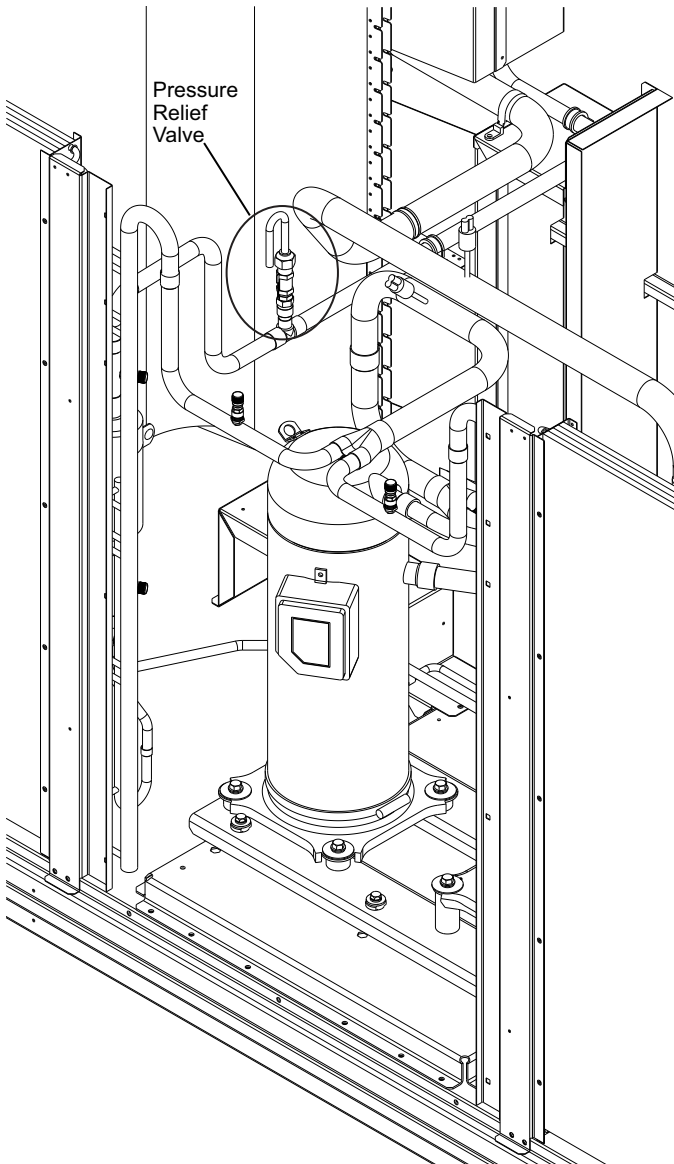


Fig. 98 — Pressure Relief Valve Location

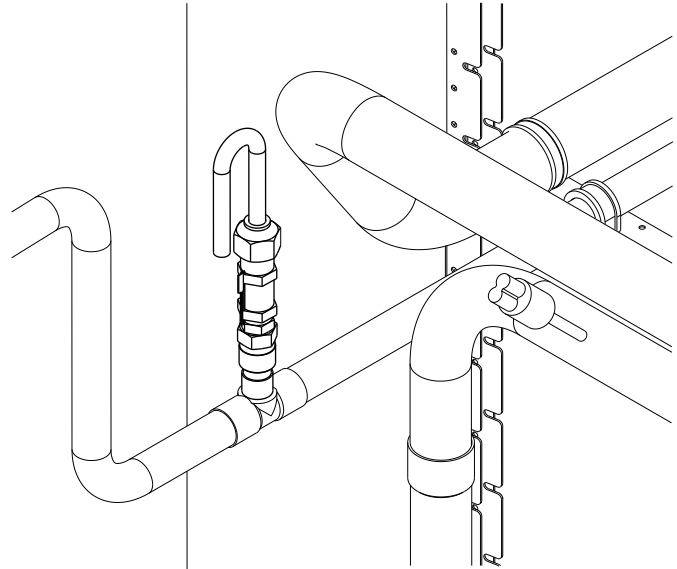


Fig. 99 — Pressure Relief Valve Detail

FASTENER TORQUE VALUES

Table 31 details the torque values for fasteners referenced in this installation instruction.

Table 31 — Fastener Torque Values

Stator motor mounting screws	50 in.-lb (5.7 Nm) \pm 5 in.-lb (0.6 Nm)
Fan rotor mounting screws (2.4 HP)	50 in.-lb (5.7 Nm) \pm 5 in.-lb (0.6 Nm)
Fan rotor mounting screws (3 and 5 HP)	30 in.-lb (3.4 Nm) \pm 2 in.-lb (0.2 Nm)
Fan deck bracket screws	50 in.-lb (5.7 Nm) \pm 5 in.-lb (0.6 Nm)
Fan casing screws	10 in.-lb (1.1 Nm) \pm 1 in.-lb (0.1 Nm)
Heat shield screws	30 in.-lb (3.4 Nm) \pm 2 in.-lb (0.2 Nm)
Condenser motor mounting screws	30 in.-lb (3.4 Nm) \pm 2 in.-lb (0.2 Nm)
Condenser hub set screw	84 in.-lb (9.5 Nm) \pm 12 in.-lb (1.5 Nm)
Compressor mounting bolts	12 ft-lb (16.2 Nm) \pm 2 ft-lb (2.7 Nm)
Tandem rail mounting bolts	8 ft-lb (10.8 Nm) \pm 0.5 ft-lb (0.6 Nm)
Crankcase heater	22.5 in.-lb (2.5 Nm) \pm 2.5 in.-lb (0.3 Nm)

START-UP CHECKLIST

50GE-*17-28 Packaged Rooftop Units with Gas Heat and Electric Cooling
(Remove and use for job file)

NOTE: To avoid injury to personnel and damage to equipment or property when completing the procedures listed in this start-up checklist, use good judgment, follow safe practices, and adhere to the safety considerations/information as outlined in preceding sections of this Installation Instruction document.

I. PRELIMINARY INFORMATION

MODEL NO _____
JOB NAME _____
SERIAL NO. _____
ADDRESS _____
START-UP DATE _____
TECHNICIAN NAME _____
ADDITIONAL ACCESSORIES _____

II. PRE-START-UP

Verify that all packaging materials have been removed from unit. (Y/N) _____
Verify installation of outdoor air hood. (Y/N) _____
Verify that condensate connection is installed per instructions. (Y/N) _____
Verify that all electrical connections and terminals are tight. (Y/N) _____
Verify ground integrity with continuity test. (Y/N) _____
Check that indoor-air filters are clean and in place. (Y/N) _____
Check that outdoor air inlet screens are in place. (Y/N) _____
Verify that unit is level. (Y/N) _____
Verify that fan assembly is free of obstructions and rotor spins freely. (Y/N) _____
Verify that scroll compressors are rotating in the correct direction. (Y/N) _____
Verify yellow LED light on dissipation board is steady. (Y/N) _____
Verify the dissipation board test button will operate the indoor fan for 1 minute. (Y/N) _____
Verify installation of thermostat. (Y/N) _____

III. START-UP

ELECTRICAL

Supply Voltage	L1-L2 _____	L2-L3 _____	L3-L1 _____
Compressor Amps 1	L1 _____	L2 _____	L3 _____
Compressor Amps 2	L1 _____	L2 _____	L3 _____
Supply Fan Amps	L1 _____	L2 _____	L3 _____

TEMPERATURES

Outdoor-air Temperature _____ °F DB (Dry Bulb)
Return-air Temperature _____ °F DB _____ °F WB (Wet Bulb)
Cooling Supply Air Temperature _____ °F

PRESSURES

Refrigerant Suction STAGE 1 _____ PSIG
STAGE 2 _____ PSIG
STAGE 3 _____ PSIG
Refrigerant Discharge STAGE 1 _____ PSIG
STAGE 2 _____ PSIG
STAGE 3 _____ PSIG

Verify Refrigerant Charge using Charging Charts (Y/N) _____

GENERAL

Economizer minimum vent and changeover settings to job requirements (if equipped) (Y/N) _____

Verify smoke detector unit shutdown by utilizing magnet test (Y/N) _____

IV. HUMIDI-MIZER® START-UP

STEPS

- 1. UCB (Unit Control Board) for jumper 1, 2, 3 (Jumper 1, 2, 3 must be cut and open) (Y/N) _____
- 2. Open humidistat contacts (Y/N) _____
- 3. Start unit In cooling (Close Y1) (Y/N) _____

OBSERVE AND RECORD

- a. Suction pressure _____ PSIG
- b. Discharge pressure _____ PSIG
- c. Entering air temperature _____ ° F
- d. Liquid line temperature at outlet or reheat coil _____ ° F
- e. Confirm correct rotation for compressor (Y/N) _____
- f. Check for correct ramp-up of outdoor fan motor as condenser coil warms (Y/N) _____
- 4. Check unit charge per charging chart (Y/N) _____
- 5. Switch unit to high-latent mode (sub-cooler) by closing humidistat with Y1 closed (Y/N) _____

OBSERVE

- a. Reduction in suction pressure (5 to 7 psi expected) (Y/N) _____
- b. Discharge pressure unchanged (Y/N) _____
- c. Liquid temperature drops to 50°F to 55°F range (Y/N) _____
- d. LSV solenoid energized (valve closes) (Y/N) _____
- 6. Switch unit to dehumid (reheat) by opening Y1 (Y/N) _____

OBSERVE

- a. Suction pressure increases to normal cooling level (Y/N) _____
- b. Discharge pressure decreases (35 to 50 psi) (Limited by Motormaster control) (Y/N) _____
- c. Liquid temperature returns to normal cooling level (Y/N) _____
- d. LSV solenoid energized (valve closes) (Y/N) _____
- e. DSV solenoid energized, valve opens (Y/N) _____
- 7. With unit in dehumid mode close W1 compressor and outdoor fan stop; LSV and DSV solenoids de-energized (Y/N) _____
- 8. Open W1 restore unit to dehumid mode (Y/N) _____
- 9. Open humidistat input compressor and outdoor fan stop; LSV and DSV solenoids de-energized (Y/N) _____
- 10. Restore set-points for thermostat and humidistat (Y/N) _____

CUT ALONG DOTTED LINE

CUT ALONG DOTTED LINE