

AGATWNDTE01B

Twinning Kit for Non-Condensing and Condensing Gas Furnaces with MCT, FCT or PSC Motors

Installation Instructions

NOTE: Read the entire instruction manual before starting the installation.

TABLE OF CONTENTS

TABLE OF CONTENTS	1
SAFETY CONSIDERATIONS	1
SEQUENCE OF OPERATION	1
INTRODUCTION	2
DESCRIPTION AND USAGE	3
SECTION 1	4
DUCT CONNECTIONS - ALL MODELS	4
ELECTROSTATIC DISCHARGE (ESD) PRECAUTION	5
SECTION 2	6
GENERAL - ALL ORIENTATIONS	6
UPFLOW INSTALLATION	6
DOWNFLOW INSTALLATIONS	7
HORIZONTAL INSTALLATION	7
General	7
Attic Platform Back to Back Installations for Condensing Furnaces and Non-Condensing Furnaces	7
Horizontal Suspended Installation for Condensing Furnaces	8
Horizontal, Suspended Installation for Non-Condensing Furnaces	8
Horizontal, Stacked Together for Non-Condensing ONLY	10
SECTION 3	10
CONNECT ELECTRICAL COMPONENTS	10
TWINNING KIT HARNESS CONNECTIONS	11
CONNECT ELECTRICAL COMPONENTS-COOLING	13
THERMOSTAT CONNECTIONS	13
VENTING	15
GAS SUPPLY PIPING	15
CONDENSATE DRAIN CONNECTIONS	15
START-UP AND ADJUSTMENT	16
SEQUENCE OF OPERATION	16

SAFETY CONSIDERATIONS

WARNING

FIRE, EXPLOSION, ELECTRICAL SHOCK AND CARBON MONOXIDE POISONING HAZARD

Failure to follow this warning could result in personal injury, death and/or property damage.

Improper installation, adjustment, alteration, service, maintenance, or use can cause carbon monoxide poisoning, explosion, fire, electrical shock, other conditions, which could result in personal injury or death. Consult a qualified service agency, local gas supplier, or your distributor or branch for information or assistance. The qualified service agency must use only factory-authorized kits or accessories when modifying this product.

WARNING

FIRE, EXPLOSION, ELECTRICAL SHOCK, AND CARBON MONOXIDE POISONING HAZARD

Failure to follow this warning could result in dangerous operation, personal injury, death, or property damage.

Furnaces shall NOT be twinned (i.e. tandem or staged operation) unless approved in factory technical specifications literature for the furnace.

A factory authorized, field-supplied Twinning Kit MUST be used. Consult furnace pre-sale literature for specific models approved for twinning and the correct twinning kit. Twinned furnaces must be installed on both a common supply AND a common return duct system as shown in the Twinning Kit Installation Instructions. Only two furnaces can be twinned on a common supply and return duct system using a factory authorized twinning kit.

Improper installation, adjustment, alteration, service, maintenance, or use can cause explosion, fire, electrical shock, or other conditions which may cause death, personal injury, or property damage. Consult a qualified installer, service agency, or your distributor or branch for information or assistance. The qualified installer or agency must use factory-authorized kits or accessories when modifying this product. Refer to the individual instructions packaged with the kits or accessories when installing.

Follow all safety codes. Wear safety glasses, protective clothing, and work gloves. Have a fire extinguisher available. Read these instructions thoroughly and follow all warnings or cautions include in literature and attached to the unit. Consult local building codes, the current editions of the National Fuel Gas Code (NFGC) NFPA 54/ANSI Z223.1 and the National Electrical Code (NEC) NFPA 70.

In Canada, refer to the current editions of the National Standards of Canada CAN/CSA-B149.1 and .2 Natural Gas and Propane Installation Codes, and Canadian Electrical Code CSA C22.1

Recognize safety information. This is the safety-alert symbol . When you see this symbol on the unit and in instructions or manuals, be alert to the potential for personal injury.

Understand the signal words DANGER, WARNING, and CAUTION. These words are used with the safety-alert symbol. DANGER identifies the most serious hazards which will result in severe personal injury or death. WARNING signifies hazards which could result in personal injury or death. CAUTION is used to identify unsafe practices which may result in minor personal injury or product and property damage. NOTE is used to highlight suggestions which will result in enhanced installation, reliability, or operation.

SEQUENCE OF OPERATION

CAUTION

ELECTRICAL SHOCK AND FIRE HAZARD

Failure to follow this warning could result in personal injury, death, and/or property damage.

Turn off the gas and electrical supplies to the furnace and install lockout tag before performing any installation or modification. Follow the operating instructions on the label attached to the furnace.

! CAUTION

CUT HAZARD

Failure to follow this caution may result in personal injury. Sheet metal parts may have sharp edges or burrs. Use care and wear appropriate protective clothing, safety glasses and gloves when handling parts, and servicing furnaces.

INTRODUCTION

This twinning kit permits connection of two multi-speed constant torque (MCT) ECM, fixed-speed constant torque (FCT) ECM, or PSC blower motor equipped furnaces controlled by a mechanical thermostat. An electronic User Interface cannot be used and is not approved for twinned furnaces. This furnace twinning kit permits two of the following furnaces of the same size to operate as a single unit on the same duct work. The furnaces must be installed with common supply and return plenums. For upflow installations, the common return plenum or platform must use some or all of the bottom return opening as shown in the DUCT CONNECTIONS section. This kit ensures both furnace blowers operate simultaneously so air flows through the duct work rather than recirculating in a loop between the furnaces.

Twinned single-stage furnaces can operate as a single unit or as staged units. With staged single-stage furnaces, the left-hand furnace is used for first-stage heat, and both furnaces are used for second-stage heat. A field supplied two-stage thermostat is required for staged operation of

single-stage furnaces. Staged heating operation of twinned furnaces is permitted only with this twinning kit.

Twinned two-stage furnaces can only operate as staged units. With the two-stage furnaces, low-heat in both furnaces is used for first-stage heat, and high-heat in both furnaces is used for second-stage heat. Two-stage furnaces can be configured to use a field supplied single-stage thermostat and the furnace control staging algorithm or they can use a field supplied two-stage thermostat to control the staging. Refer to the CONNECT ELECTRICAL COMPONENTS section for two-stage thermostat details. Two-Stage non-condensing furnaces cannot be twinned.

Cooling units used with twinned furnaces must be single-stage A/C unit(s). Heat pumps cannot be twinned with gas furnaces.

When installing twinned outdoor units with twinned gas furnaces, it is necessary to use a field-supplied 24-VAC pilot-duty relay and a field-supplied 24-VAC/115-VAC transformer as shown in the individual wiring diagrams to prevent overloading furnace 24-VAC/115-VAC transformer.

Table 1 – Kit Contents

QUANTITY	DESCRIPTION
1	Extension Harness Assembly
1	Main Twinning Harness Assembly
1	Secondary Twinning Harness Assembly
3	Wiring Labels
1	Reference Label
1	Instructions

Table 2 – Condensing Models

Condensing Furnaces							
Single Stage MCT ECM							
59SC6A	916SA	PG96MSAA	N/R96MSN	59SC2E	912SE	PG92MSAA	N/R92MSN
060M17--14	42060M17	42060B	601714	060M17--14	42060M17	42060B	601714
080M17--16	48080M17	48080B	801716	080M17--16	48080M17	48080B	801716
080M21--20	60080M21	60080C	802120	080M21--20	60080M21	60080C	802120
100M21--20	60100M21	60100C	1002120	100M21--20	60100M21	60100C	1002120
			1202422	120M24--20	60120M24	60120D	1202420
			1402422				

Single Stage PSC										
59SC2 (Series A)	912S (Series A)	PG92SAS	59SC5A	915SA	PG95S_S	N9MSE	N9MSB (Series A)	R9MSB (Series A)	WFA (Series A)	WFSR
060--10	30060	30060	060-10	30060	30060	601410	601412			
060--12	36060	36060	060-14	42060	42060	601714	601716	601716	060B048	060B042
060--14	42060	42060	080-16	48080	48080	801716	801716	801716	080B048	080B048
060--16	48060	48060	080-20	60080	60080	802120	802120		080C060	080C060
080--16	48080	48080	100-14	42100	42100	1002114	1002116		100C048	100C042
080--20	60080	60080	100-16	48100	48100	1002120	1002122			100C060
100--14	42100	42100	100-20	60100	60100					
100--16	48100	48100	120-20	60120	60120					
100--20	60100	60100								
100--22	66100	66100								
120--20	60120	60120								
120--22	66120	66120								

Single Stage FCT ECM							
59SP5	925S	(F/G)9MXE	59SC5B	915SB	PG95ESAA	N/R95ESN	WFSX
060--12	36060	601412	060E17--14	42060E17	42060B	601714	060B042
060--14	42060	601714	080E17--16	48080E17	48080B	801716	080B048
080--16	48080	801716	080E21--20	60080E21	60080C	802120	080C060
080--20	60080	802120	100E21--20	60100E21	60100C	1002120	100C060
100--16	48100	1002120	120E24--22	66120E24	66120D	1202422	120D066
100--20	60100	1202422	140E24--22	66140E24	66140D	1402422	140D066
120--20	60120	1202422					
120--22	66120						
59SC2D	912SD	PG92ESAA	N/R92ESN	WFA			
060E17--14	42060E17	42060B	601714	060B042			
080E17--16	48080E17	48080B	801716	080B048			
080E21--20	60080E21	60080C	802120	080C060			
100E21--20	60100E21	60100C	1002120	100C060			
120E24--20	60120E24	60120D	1202420	120D060			

Two Stage FCT ECM			
59TP5	925T	PG95X_T	(F/G)9MXT
060--12	36060	36060	601412
060--14	42060	42060	601714
080--16	48080	48080	801716
080--20	48100	48100	802120
100--16	60080	60080	1002120
100--20	60100	60100	1202422
120--22	66120	66120	1202420

Table 3 – Non-Condensing Models

Non-Condensing Furnaces							
Single Stage MCT ECM							
58SC(0/1)	58SB(0/1)	81(0/1)S	80(0/1)S	PG80MSA/L	N80MSN/L	WFER/L	R80ESN/L
70M21--16	70M21--16	48070M21	48070M21	48070C	702116	70C48	702116
90M21--16	90M21--16	48090M21	48090M21	48090C	902116	90C48	902116
90M21--20	90M21--20	60090M21	60090M21	60090C	902120	90C60	902120
90M24--20	90M24--20	60090M24	60090M24	60090D	902420	90D60	902420
110M21--20	110M21--20	60110M21	60110M21	60110C	1102120	110C60	1102120
110M24--20	110M24--20	60110M24	60110M24	60110D	1102420	110D60	1102420
135M24--20	135M24--20	60135M24	60135M24	60135D	1352420	135D60	1352420
	155M24--20	60155M24					

Non-Condensing Furnaces							
Single Stage PSC							
N8MSN/L	58STA/X	58DLA/X	310A/JAV	311A/JAV	PG8M/JAA	WFMR/L	R8MSN/L
451408	045--08	045--08	024045	024045	024045	045A024	
451412	045--12	045--12	036045	036045	036045	045A036	451412
701408	070--08	070--08	024070	024070	024070	070A024	
701412	070--12	070--12	036070	036070	036070	070A036	701412
701716	070--16	070--16	048070	048070	048070		
901714	090--14	090--14	042090	042090	042090	090B042	
902116	090--16	090--16	048090	048090	048090	090C048	
902120	090--20	090--20	060090	060090	060090		902120
1101712	110--12	110--12	036110	036110	036110		
1102116	110--16	110--16	048110	048110	048110	110C048	
1102122	110--22	110--22	066110	066110	066110	110C066	1102122
1352116	135--16	135--16	048135	048135	048135		
1352422	135--22	135--22	066135	066135	066135	135D066	
1552420	155--20	155--20	060155	060155	060155		

Single Stage FCT ECM							
58SC(0/1)	58SB(0/1)	81(0/1)S	80(0/1)S	PG80ESA/L	N80ESN/L	WFER/L	R80ESN/L
70E21--16	70E21--16	48070E21	48070E21	48070C	702116	70C48	702116
90E21--16	90E21--16	48090E21	48090E21	48090C	902116	90C48	902116
90E21--20	90E21--20	60090E21	60090E21	60090C	902120	90C60	902120
90E24--20	90E24--20	60090E24	60090E24	60090D	902420	90D60	902420
110E21--20	110E21--20	60110E21	60110E21	60110C	1102120	110C60	1102120
110E24--20	110E24--20	60110E24	60110E24	60110D	1102420	110D60	1102420
135E24--20	135E24--20	60135E24	60135E24	60135D	1352420	135D60	1352420
	155E24--20		60155E24	60155D	1552420		

Two Stage PSC						
F/G8MTL	F/G8MTL	58CTA/X	58CTA/X	312A/JAV	312A/JAV	
451408	0902120	045-08	090--20	024045	060090	
451412	1101712	045-12	110--12	036045	036110	
701408	1102116	070-08	110--16	024070	048110	
701412	1102122	070-12	110--22	036070	066110	
701716	1352116	070-16	135--16	048070	048135	
901714	1352422	090-14	135--22	042090	066135	
902116	1552420	090-16	155--20	048090	060155	

Some sizes are not available for all models shown.

DESCRIPTION AND USAGE

IMPORTANT: Only the furnace sizes listed in [Table 2](#) or [Table 3](#) can be twinned with this kit. Both furnaces must have the same product number, including heating and cooling sizes, to achieve correct operation. One furnace is the Main furnace and the other furnace is the Secondary furnace. The Main furnace controls the operation of the Secondary furnace. All control connections are made to the Main furnace and Main furnace wiring harness.

Twinned furnaces in these instructions are also referred to as the left-hand furnace (LH) and right hand furnace (RH) or back-to-back.

NOTE: To determine referencing of Left Hand (LH) and Right Hand (RH) furnace:

- In the Side-by-Side, upflow and downflow applications, reference the furnaces from the front, as you would see them in the upflow application. (See [Fig. 2](#) and [Fig. 3](#)) The LH furnace is the Main furnace and the RH furnace is the Secondary furnace.
- In the Back-to-Back, upflow, downflow and horizontal applications, reference the furnaces from the side of the external extension harness. The LH furnace is the Main furnace and the


RH furnace is the Secondary furnace, as you would see them in the upflow application. (See Fig. 1 and Fig. 3)

Kit contents are shown in Table 1.

Staged heating operation is permitted only with this twinning kit. With single-stage condensing furnaces, the left-hand furnace is used for first-stage heat, and both furnaces are used for second-stage heat. With the two-stage condensing furnaces, low-heat in both furnaces is used for first-stage heat, and high-heat in both furnaces is used for second-stage heat. This kit ensures both furnace blowers operate simultaneously so air flows through the duct work rather than recirculating in a loop between the furnaces.

NOTE: As a result of staged heating with single-stage furnaces, the air temperature distribution in the supply plenum may be uneven when only one furnace is heating.

NOTE: Refer to the Installation, Start-Up, and Operating Instructions supplied with each furnace for information on venting, clearances, start-up, maintenance, and other information not covered in this publication.


WARNING

UNIT AND PROPERTY DAMAGE HAZARD

Failure to follow this warning could result in unit and property damage. A non-condensing furnace shall NOT be twinned with a condensing furnace. Two-stage condensing or non-condensing furnaces shall not be twinned with any single-stage furnace. Do not twin furnaces that have a different number of blower motor speed taps together. Furnaces shall only be twinned in the positions shown. Variable-speed furnaces shall not be twinned.

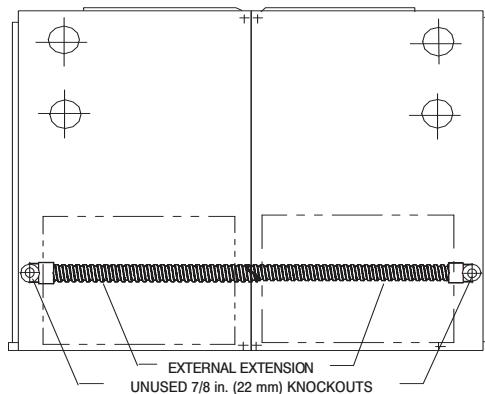


Fig. 1 – External Extension

A190244

SECTION 1 DUCT CONNECTIONS - ALL MODELS

For all furnaces: All furnaces must have a common supply plenum attached to the furnaces or evaporator coils prior to any branch supply trunk or take-off. The height of the plenum should be at least as high (upflow/downflow) or as long (horizontal) as the width of one furnace. Supply air dampers, when used, should be installed in the branch ducts, not in the common plenum. Fire or smoke dampers, when required by code, may be installed in the common plenum. Refer to the damper manufacturer’s ratings installation instructions for proper application. The damper should not create undue restriction in the open position.

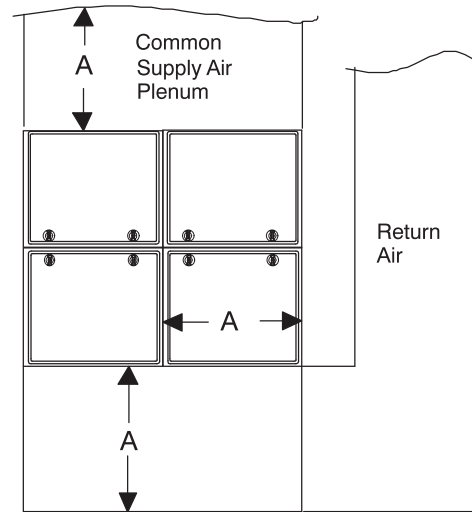
All furnaces must be installed to ensure sufficient return air to both furnaces:

For upflow furnaces: A combination of one full side of each and bottom inlet plenum or bottom only inlet plenum shall be used for return air to each furnace. The preferred method is to have all return air brought into the bottom of the furnaces through a common bottom plenum. The

bottom return-air plenum shall be at least as high as the width of the furnace bottom return-air opening. For example, if two 17 1/2-in. (445 mm) wide furnaces are twinned together, the full height common return air plenum must be at least 17 1/2-in. (445 mm) tall. When there are height limitations, the bottom return-air plenum height can be reduced to 8-in. (203 mm) minimum if one entire side return-air opening of each furnace is used in conjunction with the bottom return opening. The rear of the furnace casing cannot be used for all or part of the return air connection. If rear return air connections are required, connect the return air duct to the rear of the return air plenum. Connect all return trunks or branch return ducts to common return plenum. (See Fig. 2)

For downflow and horizontal furnaces: All return air must be brought into the bottom opening of the furnace through a common return air plenum. The return-air plenum shall be at least as long (horizontal) or tall (downflow) as the width of the furnace return-air opening. Connect all return trunks or branch return ducts to common return plenum. (See Fig. 3)

NOTE: Throughout these instructions, when the furnace installed side-by-side, the left-hand (LH) side will be referred to as the LH furnace, and the furnace installed on the right-hand (RH) side as the RH furnace. When the furnaces are installed back-to-back, the left-hand (LH) side will be referred to as the LH furnace, and the furnace installed on the right-hand (RH) side as the RH furnace when viewed from the side with the extension harness installed.



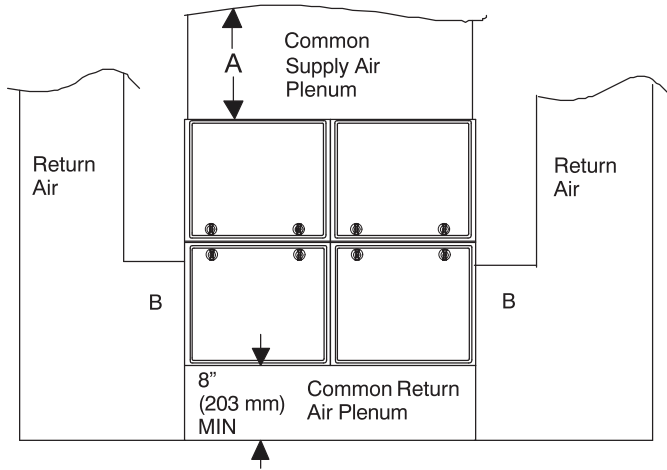
Representative drawing only, some models may vary.

L11F093

NOTE: Upflow - Single Return

Return duct cannot obstruct access to either furnace
Return Air can enter through any combination of:

- Left side only
- Right side only
- Bottom only
- Back of platform when height of platform equals Dimension “A” as shown



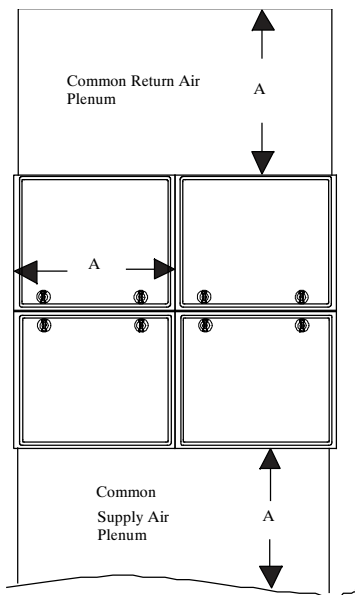
Representative drawing only, some models may vary.

L11F094

NOTE: Upflow - Two Returns

- When furnaces are installed Back-to-Back (not shown) return duct **MUST** connect to the common return plenum and side inlet of **BOTH** furnaces
- Return duct cannot obstruct access to either furnace

Fig. 2 – Upflow Ductwork Connections



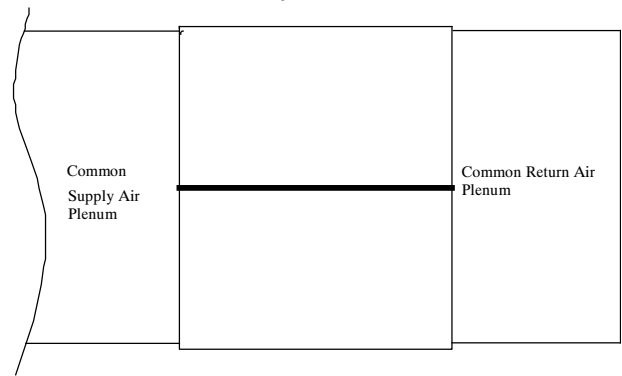
Representative drawing only, some models may vary.

A210136

NOTE: Downflow Application

- Do not connect return air to any side of the furnace
- Connect return air plenum as shown

Top View



Representative drawing only, some models may vary.

A210137

NOTE: Horizontal Application

- Do not connect return air to any side of the furnace
- Do not stack condensing furnaces on top of each other
- Horizontal stacking only permitted with mid-efficiency furnaces.
- Back-to back installations, platform or suspended is approved for all models
- For back-to-back installations, Dimension “A” is measured across the front of one furnace, similar to upflow/downflow installations.

Fig. 3 – Downflow/Horizontal Ductwork Connections

ELECTROSTATIC DISCHARGE (ESD) PRECAUTION

CAUTION

UNIT DAMAGE HAZARD

Failure to follow this caution may result in unit and component damage.

Failure to follow this caution could result in unit and component damage. Electrostatic discharge can affect electronic components. Take Precautions during furnace installation and servicing to protect the furnace electronic control. Precautions will prevent electrostatic discharges from personnel and hand tools which are held during the procedure. These precautions will help to avoid exposing the control to electrostatic discharge by putting the furnace, the control and the person at the same electrostatic potential.

1. Disconnect all power to the furnace. **DO NOT TOUCH THE CONTROL OR ANY WIRE CONNECTED TO THE CONTROL PRIOR TO DISCHARGING YOUR BODY’S ELECTROSTATIC CHARGE TO GROUND.**
2. Firmly touch a clean, unpainted, metal surface of the furnace chassis which is close to the control. Tools held in a person’s hand during grounding will be satisfactorily discharged.
3. After touching the chassis you may proceed to service the control or connecting wires as long as you do nothing that recharges your body with static electricity (for example; **DO NOT** move or shuffle your feet, **DO NOT** touch ungrounded objects, etc).
4. If you touch ungrounded objects (recharge your body with static electricity), firmly touch furnace again before touching control or wires.
5. Use this procedure for installed and uninstalled (ungrounded) furnaces.
6. Before removing a new control from its container, discharge your body’s electrostatic charge to ground to protect the control from

damage. If the control is to be installed in a furnace, follow items 1 through 5 before bringing the control or yourself into contact with the furnace. Put all used AND new controls into containers before touching ungrounded objects.

7. An ESD service kit (available from commercial sources) may also be used to prevent ESD damage.

SECTION 2

GENERAL - ALL ORIENTATIONS

Install furnaces

NOTE: Multipoise units can be installed in UPFLOW, DOWNFLOW, or HORIZONTAL configurations.

Refer to furnace Installation, Start-Up, and Operating Instructions or Product Specifications for appearance and dimensional drawing of twinned furnaces and their connection locations.

NOTE: Follow all clearances for combustibles and service as shown in the individual furnace installation instructions

1. Select two identical heating and airflow furnaces. (See Table 2 or Table 3)
2. Remove bottom closure panels from both furnaces. (See Fig. 5)
 - a. Remove main and blower access doors.
 - b. Remove screws from front filler panel.
 - c. Rotate front filler panel downward to remove.
 - d. Remove bottom closure panel and set aside.
 - e. Reinstall front filler panel and bottom closure panel (when used)

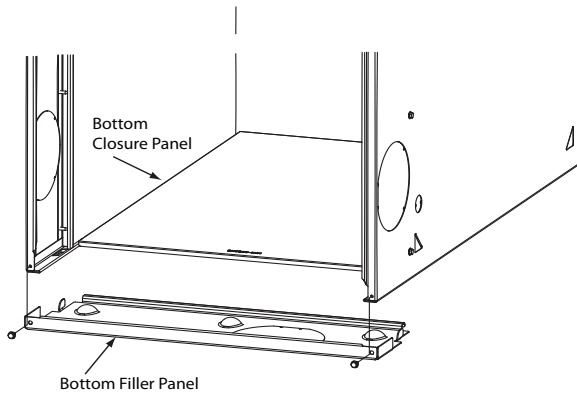
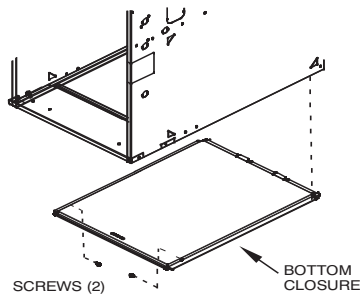


Fig. 4 – Removing Bottom Closure Panel for Non-Condensing Furnaces

A10273



Representative drawing. Models may vary.

1. Lay furnace on the back or side
2. Remove the two (2) screws that secure the bottom closure panel to the furnace casing and remove the panel

Fig. 5 – Removing Bottom Closure Panel for Condensing Furnaces

A170123

3. Apply two factory-supplied foam strips to mating side of one furnace. Locate strips equal distance from top and bottom as shown in Fig. 6.
4. Refer to the appropriate orientation to install the furnaces.

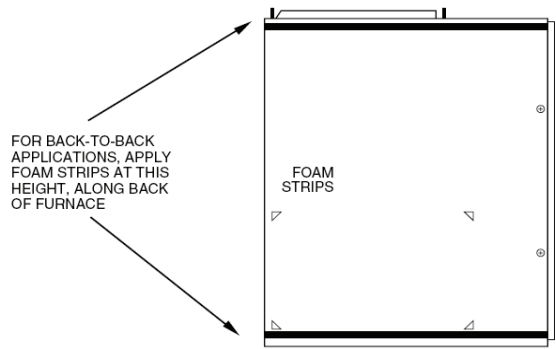


Fig. 6 – Location of Foam Strips

A10274

UPFLOW INSTALLATION

NOTE: When the furnaces are positioned back-to-back, the external extension harness cannot be used on the same side of the furnace that the return air ducts connect to. Locate harness on opposite side of furnace where return air is used.

5. Remove the 7/8-in. (22 mm) knockout in the mating side of each furnace blower compartment. Remove one right side knockout from one furnace and the left side knockout from the other furnace. The furnace with the right side knockout removed will become the Main furnace in side-by-side applications. In back-to-back applications, either furnace can be the Main furnace.
6. For side-by-side applications insert one snap bushing through each 7/8-in. (22 mm) knockout.
7. Position furnaces against each other on common return-air plenum (See Fig. 2). For side-by-side installations, adjust and shim each furnace to align 7/8-in. (22 mm) knockout in blower compartment, which will be used for wire routing between furnaces.
8. Drill two 1/8-in. (3 mm) holes, approximately 1-in. (25 mm) below discharge air flange, from inside top of discharge opening and through both furnaces.(See Fig. 7)
9. Drive 1 factory-supplied No. 6 x 3/4-in. (19 mm) LG screw through each hole and tighten until furnaces are secure and foam strips have sealed gap between furnaces.
10. Bend or remove flanges on supply air outlet of furnace as shown in furnace installation instructions.
11. Install indoor coil(s) and/or common supply plenum on supply air outlet of furnace. Seal all duct connections to furnace with code approved tape or sealant.
12. Connect common return plenum on furnace. Seal all duct connections to furnace with code approved tape or sealant.

! WARNING

UNIT DAMAGE AND FIRE HAZARD

Failure to follow this warning could result in unit damage, fire, personal injury or death.

DO NOT use the back of the furnace for return-air duct connections as limit cycling will occur.

13. Refer to the furnace installation instructions to complete the remaining furnace installation.

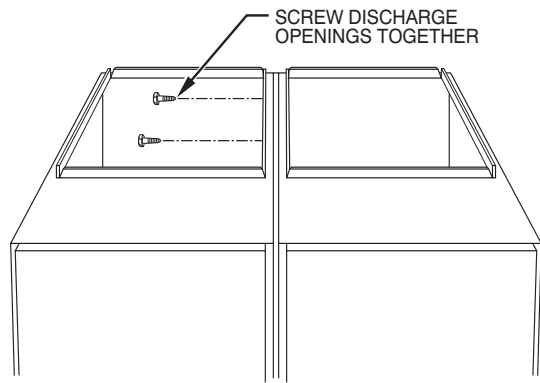


Fig. 7 – Furnaces Together at Discharge Opening

A93539

DOWNFLOW INSTALLATIONS

NOTE: When the furnaces are positioned back-to-back, the external extension harness cannot be used on the same side of the furnace that the return air ducts connect to. Locate harness on opposite side of furnace where return air is used.

1. Remove the 7/8-in. (22 mm) knockout in the mating side of each furnace blower compartment. Remove one right side knockout from one furnace and the left side knockout from the other furnace. The furnace with the right side knockout removed will become the Main furnace in side-by-side applications. In back-to-back applications, either furnace can be the Main furnace.
2. Insert one snap bushing through each 7/8-in. (22 mm) knockout.
3. Bend or remove flanges on supply air outlet of furnace as shown in furnace installation instructions
4. Position furnaces in the downflow position on the entering air-side of indoor coils and or common supply plenum. If no approved cased indoor coil is used, install the furnaces on accessory combustible floor bases. For side-by-side installations, adjust and shim each furnace to align unused 7/8-in. (22 mm) knockout in blower compartment, which will be used for wire routing between furnaces.
5. Drill two 1/8-in. (3 mm) holes, approximately 1-in. (25 mm) below return air flange, from inside top of return air opening and through both furnaces. (See Fig. 8)
6. Drive 1 factory-supplied No. 6 x 3/4-in. (19 mm) LG screw through each hole and tighten until furnaces are secure and foam strips have sealed gap between furnaces.
7. Connect common return plenum to furnaces. Seal all duct connections to furnace with code approved tape or sealant.

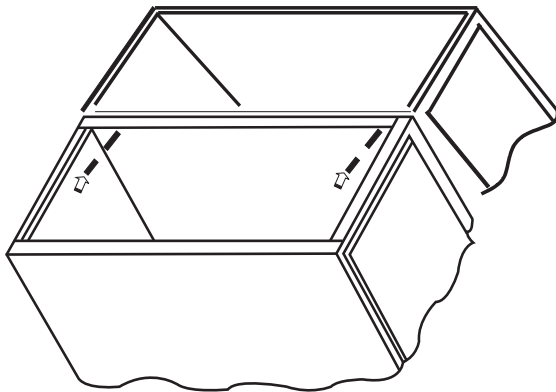


Fig. 8 – Attaching Furnaces Together at Return Air Opening

A02219

! WARNING

UNIT DAMAGE AND FIRE HAZARD

Failure to follow this warning could result in unit damage, fire, personal injury or death.

DO NOT use the back or side of the furnace for return-air duct connections as limit cycling will occur.

8. Follow individual furnace installation instructions for downflow applications. This includes, but not limited to: condensate trap, condensate/inducer housing tubing, pressure switch tubing venting and electrical connections.
9. Go to Connect Electrical Components

HORIZONTAL INSTALLATION

General

When twinning furnaces in the horizontal position, consideration must be made to the type of building construction. Attic floors should be constructed to support normal live and dead loads of the furnaces and the person(s) servicing them.

Trusses, wood and metal are engineered for specific applications, and may not support the weight of two (2) furnaces suspended from the top chords or by the bottom chords of the trusses. Long horizontal spans may flex or sag, resulting in damage to the building. Contact the truss manufacturer for additional design and engineering assistance.

Do not suspend furnaces with straps or suspend furnaces from roof decking. Allow a minimum of 2-in. (51 mm) clearance below the unit for condensate drain connections.

Attic Platform Back to Back Installations for Condensing Furnaces and Non-Condensing Furnaces

1. Construct a platform from 3/4-in. (19 mm) (nominal plywood), extending out 30 inches (762 mm) from the front of each furnace. (See Fig. 9 - Fig. 11)
2. Maintain all clearances to combustibles per the furnace Installation, Start-up and Operating Instructions.
3. Follow all additional building codes.
4. Long truss spans may require additional support along the bottom chord of the truss. Consult the truss manufacturer's guidelines for engineering assistance.
5. Long rafter or attic joist spans may require additional support along the bottom of the rafter or joist. Consult local or regional building codes for design and loading requirements.
6. Lay both furnaces in the required orientation with the knockouts in the blower compartment facing upward.
7. Drill two 1/8-in. (3 mm) holes, approximately 1-in. (25 mm) below return air flange, from inside top of return air opening and through both furnaces. (See Fig. 8)
8. Drive 1 factory-supplied No. 6 x 3/4-in. (19 mm) LG screw through each hole and tighten until furnaces are secure and foam strips have sealed gap between furnaces.
9. Drill two 1/8-in. (3 mm) holes, approximately 1-in. (25 mm) below discharge air flange, from inside top of discharge opening and through both furnaces. (See Fig. 7)
10. Drive 1 factory-supplied No. 6 x 3/4-in. (19 mm) LG screw through each hole and tighten until furnaces are secure and foam strips have sealed gap between furnaces.
11. Install indoor coil(s) and/or common supply plenum on supply air outlet of furnace. Seal all duct connections to furnace with code approved tape or sealant.

12. Connect common return plenum to furnaces. Seal all duct connections to furnace with code approved tape or sealant.
13. Follow individual furnace installation instructions for horizontal applications. This includes, but not limited to: condensate trap, condensate/inducer housing tubing, pressure switch tubing venting and electrical connections.
14. Go to Connect Electrical Components.

! WARNING

UNIT DAMAGE AND FIRE HAZARD

Failure to follow this warning could result in unit damage, fire, personal injury or death.

DO NOT use the back or side of the furnace for return-air duct connections as limit cycling will occur.

Horizontal Suspended Installation for Condensing Furnaces

15. Furnaces may be suspended using two (2) pieces of 1-1/2-in. x 1-1/2-in. x 1/4-in. (38 mm x 38 mm x 6 mm) thick cold rolled angle iron underneath each furnace and four (4) 3/8-in. (10 mm) diameter threaded rods. Angle iron must be positioned as shown in [Fig. 12](#).
16. Unistrut or similar material may be used, provided that the furnaces do not sag in the middle or bend or twist at the support ends. The support material must be secured to the bottom of each furnace in a manner similar to securing angle iron to the furnace.
17. Each piece of angle iron must be secured to the bottom of each furnace with at least two (2) No. 8 x 3/4-in. (19 mm) sheet metal screws.
18. Drill four 5/16-in. (8 mm) holes through the angle iron and through each side of the casing for the suspension rods as shown in [Fig. 12](#).
19. Lay furnaces back-to-back on a flat surface with 7/8 knock-outs facing upward.
20. Drill two 1/8-in. (3 mm) holes, approximately 1-in. (25 mm) below return air flange, from inside top of return air opening and through both furnaces. (See [Fig. 8](#))
21. Drive one factory-supplied No. 6 x 3/4-in. (19 mm) LG screw through each hole and tighten until furnaces are secure and foam strips have sealed gap between furnaces.
22. Drill two 1/8-in. (3 mm) holes, approximately 1-in. (25 mm) below discharge air flange, from inside top of discharge opening and through both furnaces. (See [Fig. 7](#))
23. Drive one factory-supplied No. 6 x 3/4-in. (19 mm) LG screw through each hole and tighten until furnaces are secure and foam strips have sealed gap between furnaces.
24. Insert the 1/4-in. (6 mm) threaded rod through each hole in the furnace and through the angle iron. Secure the threaded rod to the angle iron with a washer, lock washer and nut.
25. To prevent the rod from falling out of the furnace, install a washer, lock washer and nut on portion of the threaded rod above the furnace.
26. Raise and suspend the furnaces using the appropriate lift and secure the threaded rod with the appropriate field-supplied hardware. Use locking hardware such as lock washers and jamb nuts to prevent nuts or bolts from loosening.
27. Install indoor coil(s) and/or common supply plenum on supply air outlet of furnace. Seal all duct connections to furnace with code approved tape or sealant.
28. Connect common return plenum to furnaces. Seal all duct connections to furnace with code approved tape or sealant.
29. Follow individual furnace installation instructions for horizontal applications. This includes, but not limited to: condensate trap, condensate/inducer housing tubing pressure switch tubing venting and electrical connections.
30. Go to Connect Electrical Components.

! WARNING

UNIT DAMAGE AND FIRE HAZARD

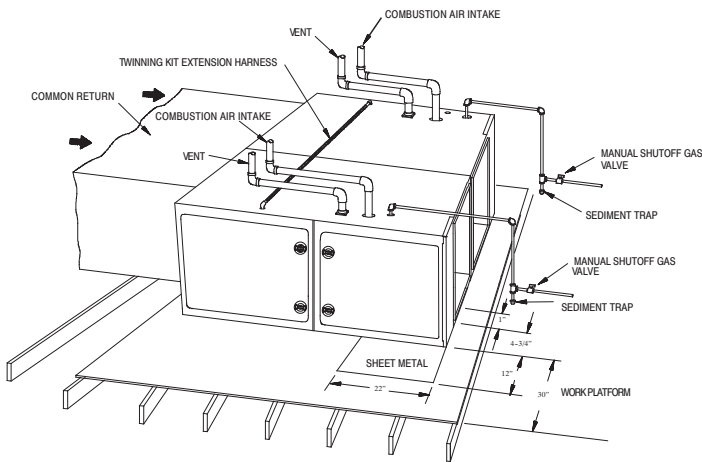
Failure to follow this warning could result in unit damage, fire, personal injury or death.

DO NOT use the back or side of the furnace for return-air duct connections as limit cycling will occur.

Horizontal, Suspended Installation for Non-Condensing Furnaces

1. Furnaces may be suspended using two (2) pieces of 1-1/2-in. x 1-1/2-in. x 1/4-in. thick cold rolled angle iron underneath each furnace and four (4) 3/8-in. (10 mm) diameter threaded rods. (See [Fig. 13](#))
 2. Allow for at least 9 inches (228 mm) in front of each door for door removal.
 3. Each piece of angle iron must be secured to the bottom of each furnace with at least two (2) No. 8 x -in. (19 mm) sheet metal screws.
 4. Maintain all clearances to combustibles per the furnace Installation, Start-up and Operating Instructions.
 5. Unistrut or similar material may be used, provided that the furnaces do not sag in the middle or bend or twist at the support ends. The support material must be secured to the bottom of each furnace in a manner similar to securing angle iron to the furnace.
 6. For all horizontal applications: Return air can only be connected to bottom opening of furnace. A common return air plenum is required for proper auxiliary limit switch operation.
 7. Apply two factory-supplied foam strips to the back of each furnace. Locate strips equal distance from top and bottom as shown in [Fig. 6](#). Trim off excess material.
 8. Determine which side of furnace will be used to route external extension harness. Remove -in. diameter accessory hole knockouts in blower compartment side selected to attach harness to. (See [Fig. 1](#))
 9. Position furnaces back-to-back on attic platform or suspended supports. Adjust and shim each furnace to align both furnaces. Follow all clearance to combustible material.
- NOTE:** DO NOT lay furnace down flat on the side that external extension harness is installed. Raise furnace up a minimum of 1-1/2 inches (38 mm) above deck so harness does not rub on casing or deck.
10. If furnaces are installed closer than 12 inches above a deck made from combustible material, provide rollout protection as shown in the furnace installation instructions. The bottom closure pan may be used for this purpose.
 11. Drill two -in. holes, approximately 1 in. (25 mm) below discharge flange, from inside top of discharge opening and through both furnaces. (See [Fig. 7](#)) Drill two -in. holes, approximately 1 in. (25 mm) below return air flange, from inside top of return air opening and through both furnaces. (Use [Fig. 8](#) as an example).
 12. Drive one factory-supplied No. 6 x -in. LG screw through each hole and tighten until furnaces are secure and foam strips have sealed gap between furnaces.
 13. Connect return- and supply-air ducts to furnaces. Seal duct connections to prevent air leakage.
 14. Move 115V junction box JB in either furnace from left-hand side to right-hand side if required. Refer to furnace installation instructions for complete details.

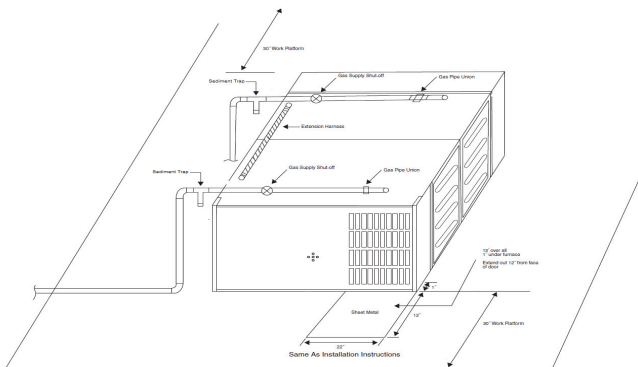
15. Go to Connect Electrical Components.



Representative drawing only, some models may vary.

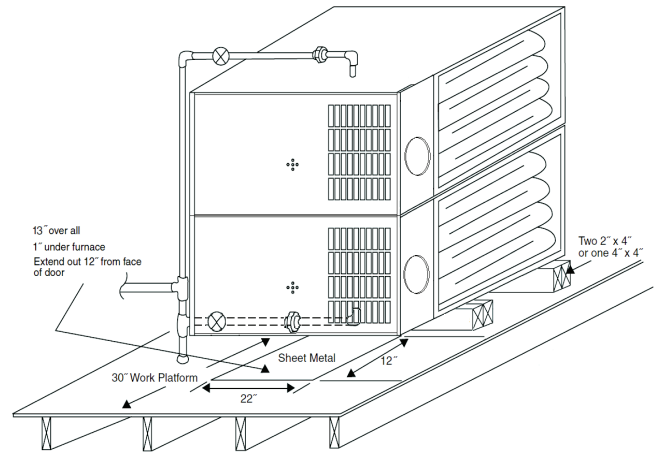
Fig. 9 – Attic Installation of Furnace for Condensing Furnace ONLY L11F105

NOTE: Rollout protection required.
Install 12" x 22" (304 x 559 mm) sheet metal in front of and above the burner compartment area. The sheet metal **MUST** extend above the furnace casing by 1-in. (25 mm with the door removed). A 1-in. (25 mm) clearance minimum between top of furnace and combustibile material is required. The entire length of furnace must be supported when furnace is used in horizontal position to ensure proper drainage



Representative drawing only, some models may vary.

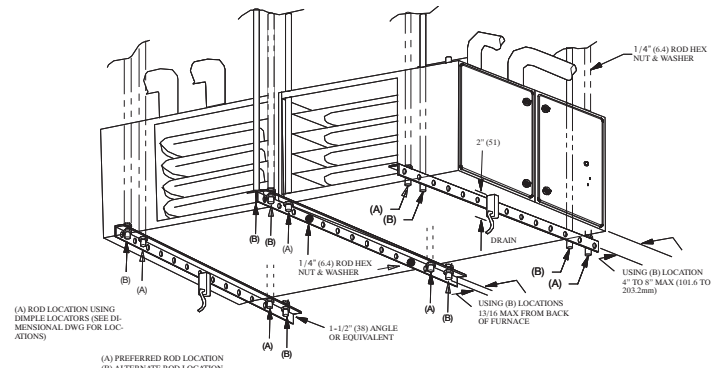
Fig. 10 – Attic Installation of Back-to-Back Furnace for Non-Condensing Furnace ONLY A190218



Representative drawing only, some models may vary.

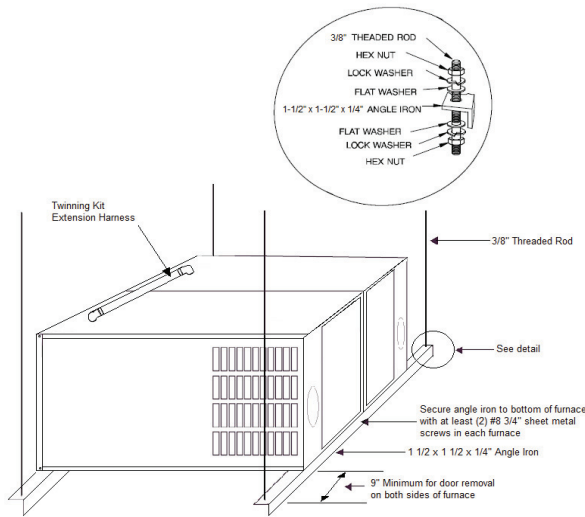
Fig. 11 – Attic Installation of Horizontal Furnace Stacked Together for Non-Condensing Furnaces ONLY. A190217

NOTE: Rollout protection required.
Install 12" x 22" (304 x 559 mm) sheet metal in front of burner compartment area.



Representative drawing only, some models may vary.

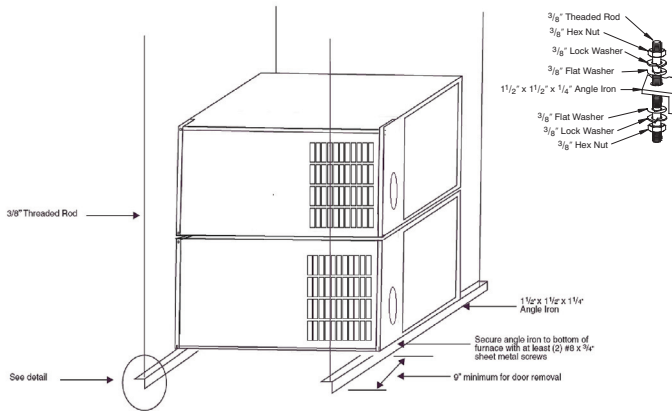
Fig. 12 – Suspended Installation for Condensing Furnace ONLY L11F099



Representative drawing only, some models may vary.

Fig. 13 – Suspended Back-to-Back for Non-Condensing Furnaces ONLY.

A190232



Representative drawing only, some models may vary.

Fig. 14 – Suspended Installation for Horizontal Furnaces Stacked Together for Non-Condensing Furnaces ONLY.

A10278

Horizontal, Stacked Together for Non-Condensing ONLY

Do not suspend furnaces with straps or suspend furnaces from roof decking.

For attic installations on a platform, see Fig. 11:

1. Construct a platform from 3/4-in. (nominal plywood), extending out 30 inches (762 mm) from the front of each furnace.
2. Maintain all clearances to combustibles per the furnace Installation, Start-up and Operating Instructions.
3. Follow all additional building codes.
4. Long truss spans may require additional support along the bottom chord of the truss. Consult the truss manufacturer’s guidelines for engineering assistance.
5. Long rafter or attic joist spans may require additional support along the bottom of the rafter or joist. Consult local or regional building codes for design and loading requirements.

For suspended installations, see Fig. 14.

(Not recommended for wood trusses unless approved by the truss manufacturer or other approved engineering methods):

1. Furnaces may be suspended using two (2) pieces of 1-1/2-in. x 1-1/2-in. x 1/4-in. thick cold rolled angle iron underneath the furnaces and four (4) 3/8-in. diameter threaded rods.
2. Allow for at least 9 inches (229 mm) in front of each door for door removal.
3. Each piece of angle iron must be secured to the bottom of each furnace with at least two (2) #8 x 3/4-in. sheet metal screws.
4. Maintain all clearances to combustibles per the furnace Installation, Start-up and Operating Instructions.
5. Unistrut or similar material may be used, provided that the furnaces do not sag in the middle or bend or twist at the support ends. The support material must be secured to the bottom of each furnace in a manner similar to securing angle iron to the furnace.
6. For all horizontal applications: Return air can only be connected to bottom opening of furnace.
7. Apply 2 factory-supplied foam strips to mating side of each furnace. Locate strips equal distance from top and bottom as shown in Fig. 6.
8. Remove 7/8-in. diameter accessory hole knockouts in blower compartment from mating sides of furnaces.
9. Insert a plastic snap bushing through the 7/8-in. K.O. from the outside of the casing.
10. Position furnaces on top of each other on platform or suspended supports. Adjust and shim each furnace to align 7/8-in. diameter holes in both furnaces.
11. Drill two 1/8-in. holes, approximately 1 in. (25 mm) below discharge flange, from inside top of discharge opening and through both furnaces. (See Fig. 7) Drill two 1/8-in. holes, approximately 1 in. (25 mm) above return air opening flange, from inside blower compartment and through both furnaces. (See Fig. 8)
12. Drive 1 factory-supplied screw through each hole and tighten until furnaces are secure and foam strips have sealed gap between furnaces.
13. Connect return- and supply-air ducts to furnaces. Seal duct connections to prevent air leakage.
14. Move 115-v junction box JB in RH furnace (as viewed from the upflow position) from left-hand side to right-hand side. Refer to furnace installation instructions for complete details.
15. Go to Connect Electrical Components.

**SECTION 3
CONNECT ELECTRICAL COMPONENTS**

! WARNING

UNIT DAMAGE AND FIRE HAZARD

Failure to follow this warning could result in fire, personal injury or death.

Make no connections between the R 24-VAC connection in one furnace and the R 24-VAC connection in other furnace.

See Electrostatic Discharge Precaution Section.

NOTE: All electrical power connections must be made through exposed outer side of each furnace. Do not common connect any connection other than supply- and return-air ducts.

- Side-by-side furnaces in the upflow and downflow position, the LH furnace line voltage connections must be made on the left side of the furnace. The RH furnace line voltage connections must be made on the right hand side of the casing.

- Horizontal back-to-back installations, electrical connections should be made on the sides of the furnace facing up.
- Upflow and downflow back-to-back installations can use either side of the furnace for line voltage electrical connections.

115-VAC Connections to Furnace

⚠ WARNING

ELECTRICAL SHOCK, FIRE OR EXPLOSION HAZARD

Failure to follow this warning could result in personal injury or death, or property damage.

Before installing, modifying, or servicing system, main electrical disconnect switch must be in the OFF position and install a lockout tag. There may be more than one disconnect switch. Check accessories and cooling unit for additional electrical supplies that must be shut off during furnace servicing. Lock out and tag switch with a suitable warning label. Verify proper operation after servicing.

Each furnace shall be connected to its own 115-VAC power supply. The twinning kit installation interconnects the furnaces, allowing them to operate as a single furnace. The L1 (black) connection to each furnace must be connected to circuit breakers connected to the same service panel 115-VAC phase leg.

NOTE: If the furnaces are not connected to the same phase leg of the electrical power supply, the furnaces will not operate properly.

- On single-phase (residential) systems, each furnace circuit breaker should be located directly across from each other in service panel, or each furnace circuit breaker should be located on the same side of service panel, but must skip one space to be connected to the same leg of the single-phase power supply.
- On 3-phase (commercial) systems, each furnace circuit breaker should be located directly across from each other in service panel, or each furnace circuit breaker should be located on the same side of service panel, but must skip two spaces to be connected to the same leg of the 3-phase power supply.

The proper 115-VAC phasing of furnace connections permits 24-VAC transformer phasing as described below.

Phasing of the connected 24-VAC transformer secondary circuits can be determined with the LED status of both furnaces.

See furnace Installation, Start-Up, and Operating Instructions and status code labels on blower doors. The furnaces' transformers' black leads should be connected to PR1 connectors and white leads to L2 connectors on controls. If one or both LEDs are rapidly flashing, disconnect lead at TWIN/TEST terminal of LH furnace and observe LED at each furnace.

To verify that the furnaces are in phase, check from Main furnace L1 to Secondary furnace L1 with a voltmeter. If the furnaces are in phase, the voltage between both furnaces will be ZERO.

IF:

- Both LEDs are on continuously: System phasing is okay.
- One or both LEDs are rapidly flashing:
 - Line voltage polarity is reversed.
 - Furnace(s) are not grounded
 - Transformer polarity is reversed.
- One LED is off, one LED is on continuously:
 - The 24-VAC circuit is inoperative on furnace with LED light off.
 - Check transformers, auxiliary limits, and door switches in both furnaces and correct problem.
 - Reconnect lead at TWIN/TEST terminal of LH furnace and observe LED at each furnace. The LEDs will glow steady for proper phasing.

TWINNING KIT HARNESS CONNECTIONS

NOTE: There are three harnesses included in this kit. If the furnaces are side-by-side, only the Main and Secondary harnesses are required. If the furnaces are installed back-to-back, the extension harness included in the kit must be used.

Extension harness is shown in [Fig. 16](#).

To install the Extension harness on back-to-back furnace, follow the steps in [Fig. 16](#). For other orientations, omit this step.

The Main furnace end of the harness is identified by a white label marked "MAIN" on the label near the end of the extension harness. The Secondary furnace end of the harness is identified by a white label marked "Secondary" on the label near the end of the extension harness.

1. Verify the knockouts are removed from the same side of each furnace blower compartment.
2. Remove the locknut from each end of the 1/2-in. BX connector
3. Route the 4-pin plug and the 2-pin plug of the Main furnace end of the Extension harness one at a time through the knockout into the Main furnace blower compartment.
4. Insert the plugs through the locknut of the 1/2-in. BX connector and tighten the locknut on the BX connector.
5. Route the 4-pin plug and the 2-pin plug of the Secondary furnace end of the Extension harness one at a time through the knockout into the Secondary furnace blower compartment.
6. Insert the plugs through the locknut of the 1/2-in. BX connector and tighten the locknut on the BX connector.

Install Main Twinning Kit Harness

NOTE: If the furnaces are installed back-to-back, verify which furnace is the Main furnace before installing Twinning Kit Harnesses. Refer to the tag on the ends of the Extension harness used for back-to-back installations.

The Main Twinning Kit harness is identified by a white label marked "MAIN" on the label near the two pin receptacle of the Main Auxiliary Limit Switch (ALS-M) leads. The Twinning Kit Relay (TKR) and Main Auxiliary Limit Switch (ALS-M) mount to the blower housing as shown in [Fig. 15](#). The individual leads are labeled on the harness. (See [Fig. 17](#)) Refer to [Fig. 19](#) location of control board components. Connect the Main Twinning Kit harness to furnace control board as follows:

7. Connect the Yellow wire labeled "TEST" to the "TEST/TWIN" terminal on the Main furnace control board.
8. Remove the Red transformer lead from the "SEC-1/24 VAC" terminal on the Main furnace control board.
9. Connect the Red transformer lead removed from the Main furnace control board to the Red wire labeled "TRANS" on the Main Twinning Kit harness.
10. Connect the Orange wire labeled "SEC-1/24 VAC" to the "SEC-1/24 VAC" terminal on the Main furnace control board.
11. Connect the Black wire with the fork terminal labeled "C" on the TKR to the "COM/24V" terminal on the thermostat strip of the Main furnace control board.
12. Install the Twinning Kit Relay, (TKR)
 - a. For single-stage operation of single-stage furnaces connect the White wire with the fork terminal labeled "W" on the TKR to the "W" terminal on the thermostat strip of the Main furnace control board. See [Fig. 20](#).
 - b. For staged operation of single-stage furnaces with a two-stage thermostat, remove the fork terminal from the terminal on the TKR and discard. The thermostat W2 lead is spliced into this wire. Refer to [Fig. 21](#) and Thermostat Connections section for details.
 - c. For operation of two-stage furnaces with a single-stage or two-stage thermostat, connect the White wire with the fork

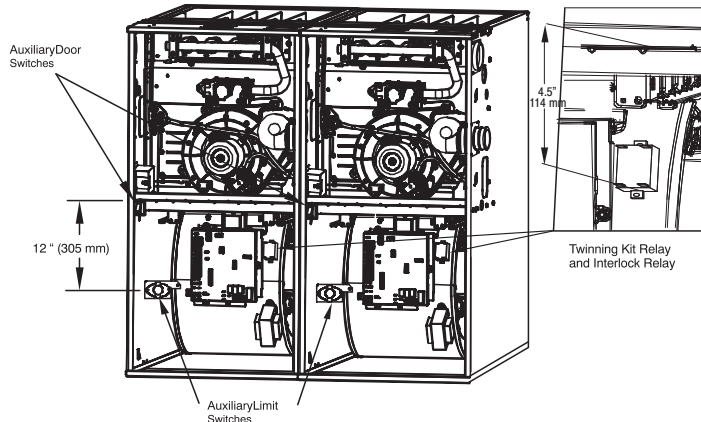
terminal on the TKR to the “W/W1” terminal on the thermostat strip of the Main furnace control board. Refer to Fig. 19 and Thermostat Connections section for details.

Install Secondary Twinning Kit Harness

The Secondary Twinning Kit harness is identified by a white label marked “SECONDARY” on the label near the two pin plug of the Auxiliary Limit Switch (ALS-S) leads. The Door Interlock Relay (ILR) and Secondary Auxiliary Limit Switch (ALS-M) mount to the blower housing as shown in Fig. 15. The individual leads are labeled on the harness. See Fig. 18. Connect the Secondary Twinning Kit harness to furnace control board as follows:

1. Connect the Yellow wire labeled “TEST SECONDARY” to the “TEST/TWIN” terminal on the Secondary furnace control board.
2. Connect the Black wire with the fork terminal labeled “C SECONDARY” to the “COM/24V” terminal on the thermostat strip of the Secondary furnace control board.
3. Connect the White wire with the fork terminal labeled “W SECONDARY” to the “W” or “W/W1” terminal on the thermostat strip of the Secondary furnace control board.
4. Connect the Red wire with the fork terminal labeled “R SECONDARY” to the “R” terminal on the thermostat strip of the Secondary furnace control board.
5. Remove the Red transformer lead from the “” terminal on the Secondary furnace control board.
6. Connect the Red wire with the piggy-back terminal labeled “SEC-1/24 VAC” on the ILR to the “SEC-1/24 VAC” terminal on the Secondary furnace control board.
7. Connect the Red transformer lead to the piggy back terminal of the Red wire connected to the “SEC-1/24 VAC” terminal on the Secondary furnace control board.
8. Remove the Blue transformer lead from the “SEC-2/COM” terminal on the Secondary furnace control board.
9. Connect the Black wire with the piggy-back terminal labeled “C” on the ILR to the “SEC-1/24 VAC” terminal on the Secondary furnace control board.
10. Connect the Blue transformer lead to the piggy back terminal of the Black wire connected to the “SEC-1/24 VAC” terminal on the Secondary furnace control board.

NOTE: Representative drawing only, some models may vary. Applies to both Non-Condensing & Condensing Furnaces.



Representative drawing only, some models may vary.

NOTE:

- a. Mount Twinning Kit Relay and Interlock Relay on furnace blower housing as shown.
- b. Twinning Kit Relay (TKR) mounts on LH Furnace blower housing

c. Interlock Relay (ILR) mounts on RH furnace blower housing.
Fig. 15 – Mounting Twinning Kit Relay

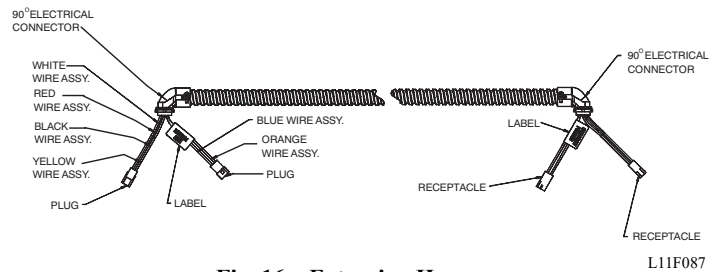


Fig. 16 – Extension Harness

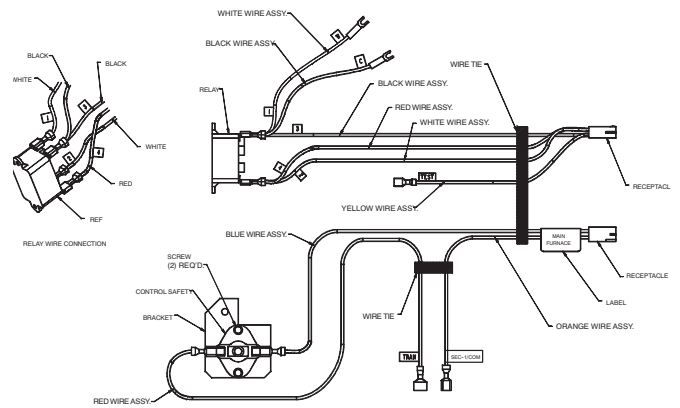


Fig. 17 – Main Harness

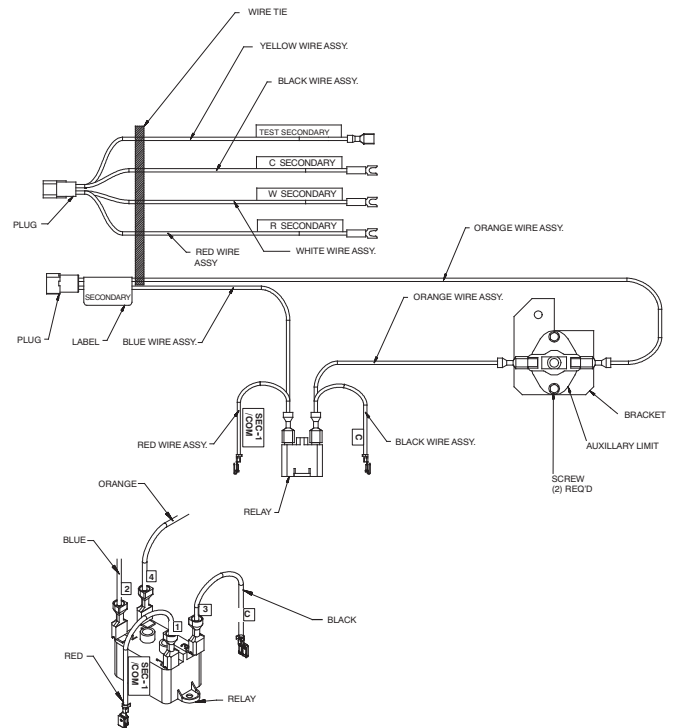


Fig. 18 – Secondary Harness

L12F009

A190200

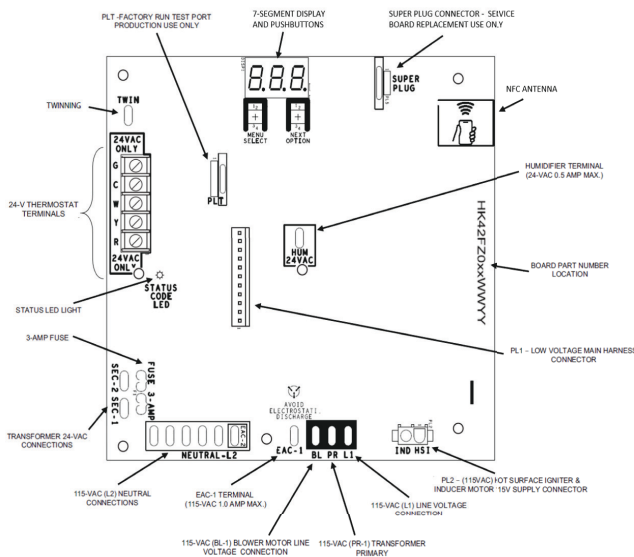


Fig. 19 – Example of Single-Stage Furnace Control

A210192

CONNECT ELECTRICAL COMPONENTS-COOLING

⚠ WARNING

ELECTRICAL SHOCK, FIRE OR EXPLOSION HAZARD
 Failure to follow this warning could result in personal injury or death, or property damage.
 Before installing, modifying, or servicing system, main electrical disconnect switch must be in the OFF position and install a lockout tag. There may be more than one disconnect switch. Check accessories and cooling unit for additional electrical supplies that must be shut off during furnace servicing. Lock out and tag switch with a suitable warning label. Verify proper operation after servicing.

NOTE: Cooling units used with twinned furnaces **MUST** be single-stage A/C units. **HEAT PUMPS CANNOT BE TWINNED** with gas furnaces.

When installing twinned outdoor units with twinned gas furnaces, it is necessary to use field-supplied 24-VAC pilot-duty relay(s) and a field-supplied 24-VAC/115-VAC transformer as shown in the individual wiring diagrams to prevent overloading furnace 24-VAC/115-VAC transformer. Transformer VA rating must be able to handle the load imposed on it by the outdoor unit contactor(s).

1. Connect the L1 lead of the field-supplied transformer line voltage lead to L1 on Main furnace control board.
2. Connect the Neutral lead of the field-supplied transformer to an open Neutral terminal on the Main furnace control board.

NOTE: If sufficient room is available in the control box of the outdoor unit, a 24-VAC/240-VAC transformer may be used. Connect line voltage leads of the transformer to the appropriate connection locations on the outdoor unit. Refer to the outdoor unit wiring diagram for specific details.

For Single-Stage A/C Operation, Single-Stage Furnaces with Single-Stage Thermostat
See Fig. 20.

In the configuration both A/C units come on together as a single unit. It will be necessary to supply one pilot duty relay for A/C operation.

1. Connect one coil terminal of the field-supplied pilot duty relay to the “COM/24V” terminal of the furnace control board.

2. Connect the other coil terminal of the field-supplied pilot duty relay to the “Y or Y/Y2” terminal of the furnace control board.
3. Connect the R terminal of the field-supplied transformer to the open contract of the pilot duty relay.
4. Connect the other open contact to the wire for Y terminal of the contactor(s).
5. Connect the Common terminal of the contactor(s) to the C terminal of the field supplied transformer.

For Two-Stage A/C Operation, using Single-Stage Furnaces with a Two-Stage thermostat.
See Fig. 21.

In this configuration, the individual A/C unit(s) are staged on and run as controlled by the two-stage thermostat. It will be necessary to supply two pilot duty relays for staged A/C operation. Once A/C unit will be the first stage unit, the other A/C unit will be the second stage unit. Single-stage furnaces are staged individually by the thermostat.

1. Connect one coil terminal of each of the pilot duty relay together.
2. Connect these two terminals to the “COM/24V” terminal of the furnace control board.
3. Select one of the relays to be the relay for first stage cooling. Connect the coil terminal of this relay to the “Y/Y2” terminal of the furnace control board.
4. The other relay is the second stage cooling relay. The coil terminal of this relay will connect to the “Y/Y2” terminal of the thermostat. Do not connect the terminal to the Y1 terminal on the furnace control board.
5. Connect the R terminal of the field-supplied transformer to the open contract of each pilot duty relay.
6. Connect the other open contact of the first stage cooling relay to the wire for Y terminal of the first stage contactor.
7. Connect the other open contact of the first stage cooling relay to the wire for Y terminal of the second stage contactor.
8. Connect the Common terminal of the contactor(s) to the C terminal of the field supplied transformer.

THERMOSTAT CONNECTIONS

⚠ WARNING

UNIT DAMAGE AND FIRE HAZARD
 Failure to follow this warning could result in fire, personal injury or death.
 Make no connections between the R 24-VAC connector in one furnace and the R 24-VAC connector in other furnace.

NOTE: All thermostat connections **MUST** be made at the Main furnace control board. Do not make any thermostat connections to the Secondary furnace control board.

Single-Stage Furnaces with Single-Stage Thermostat (Field Supplied)
See Fig. 20 and Table 4

NOTE: This application allows both furnaces to operate together as a single unit. See furnace Installation, Start-Up, and Operating Instructions for further details on this heating mode.

1. Connect thermostat W lead to “W” on the Main furnace control board.
2. Connect thermostat Y lead to “Y or Y/Y2” on the Main furnace control board.
3. Connect the G thermostat lead to the “G” terminal on the Main furnace control board.
4. Connect thermostat R lead to “R” terminal on Main furnace control.

- Connect thermostat C or COM lead to the "COM/24V" terminal on the Main furnace control board.

Single-Stage Furnaces and A/C with Two-Stage thermostat (Field Supplied)

See Fig. 21 and Table 4

NOTE: This application allows single-stage furnaces to operate with one furnace or with both furnaces as determined by a two-stage thermostat.

- Connect thermostat W1 lead to "W" on the Main furnace control board.
- Connect thermostat W2 lead to White wire labeled "W" on the twinning kit relay (TKR).
- Connect first stage cooling thermostat lead Y1 to "Y/Y2" on the Main furnace control board.
- Connect the second stage cooling thermostat lead Y/Y2 to the pilot duty relay coil for the second stage contactor.
- Connect the G thermostat lead to the "G" terminal on the Main furnace control board.
- Connect thermostat R lead to "R" terminal on Main furnace control.
- Connect thermostat C or COM lead to the "COM/24V" terminal on the Main furnace control board.
- Connect the G thermostat lead to the "G" terminal on the Main furnace control board.
- Connect thermostat R lead to "R" terminal on Main furnace control.
- Connect thermostat C or COM lead to the "COM/24V" terminal on the Main furnace control board.

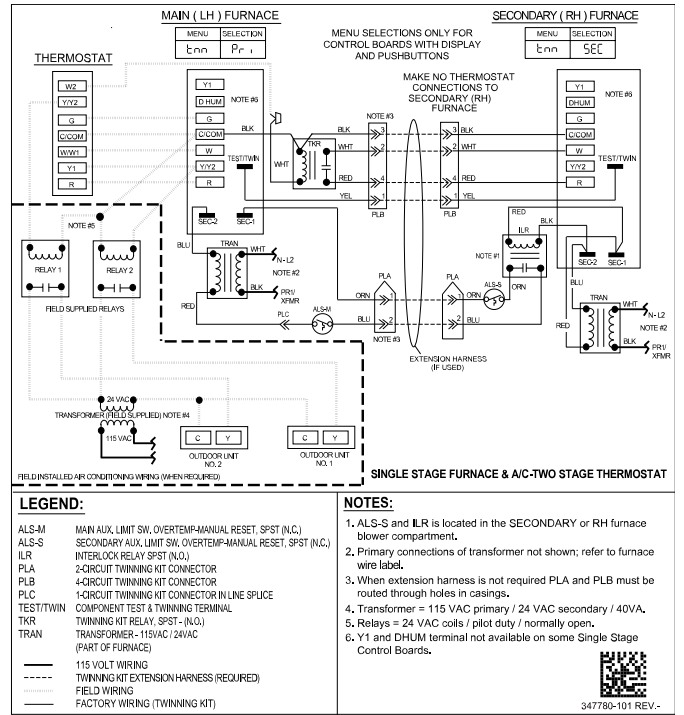


Fig. 21 – Single-Stage A/C Operation, Single-Stage Furnaces with Two-Stage Thermostat

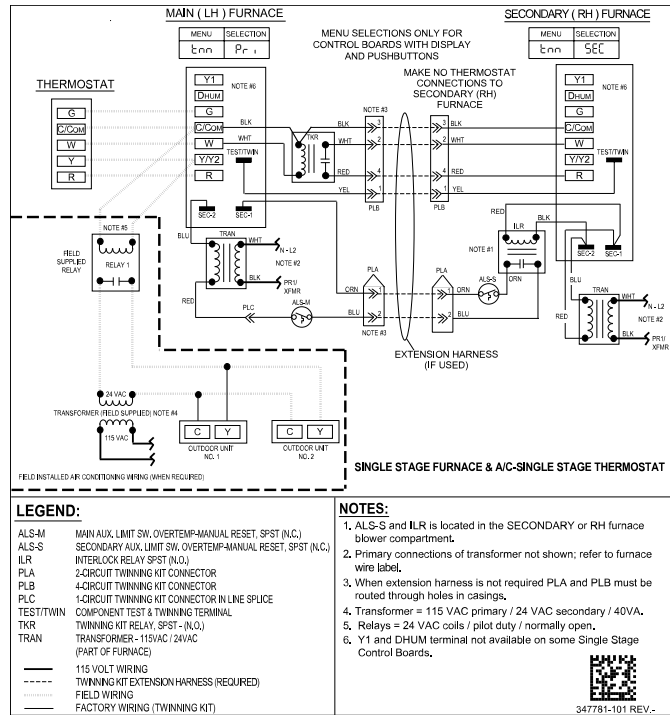


Fig. 20 – Single-Stage Furnace with Single-Stage Thermostat

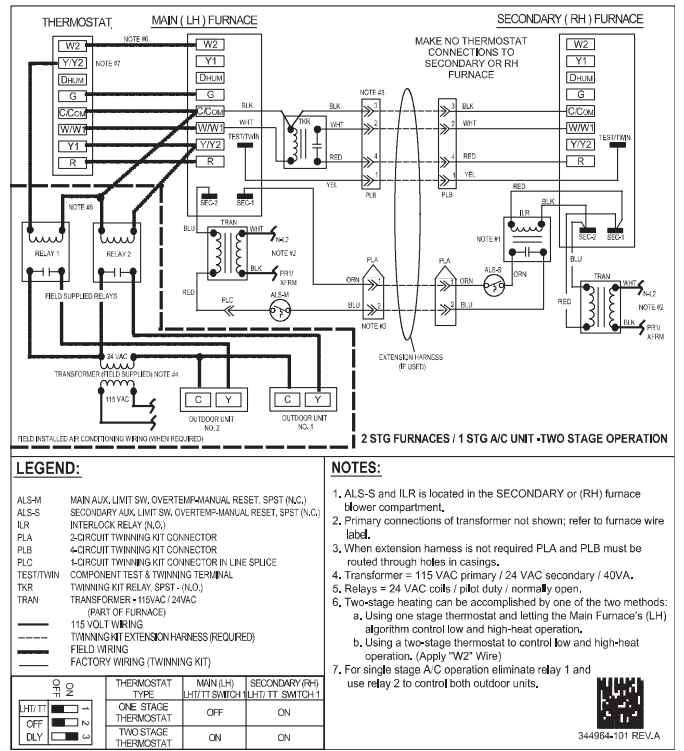


Fig. 22 – Single-Stage A/C Operation, Two-Stage Furnaces with Two-Stage Thermostat

Table 4 – Single-Stage Thermostat Connections

Single-Stage Heating and Cooling with Single-Stage Thermostat Using Single-Stage Furnaces		
THERMOSTAT CONNECTIONS	CONTROL BOARD CONNECTION	ACTION
C	C	Transformer Common
R	R	Power from control board to thermostat
W	W	Starts LH and RH furnaces for heating
Y	Y/Y2 (Y on standard control board)	Energizes accessory cooling relay(s) to start LH and RH A/C for cooling
G	G	Starts both indoor fans on cooling speed (With Y/Y2 energized)
Dehum*	Dehum*	Reduces airflow in cooling mode from cooling speed to heating speed when Dehum input is removed
Two-Stage Heating and Cooling with Two-Stage Thermostat Using Two-Stage Furnaces		
THERMOSTAT CONNECTIONS	CONTROL BOARD CONNECTION	ACTION
C	C	Transformer Common
R	R	Power from control board to thermostat
W1	W	Starts LH furnace for first stage heating
W2	None	Thermostat W2 wired directly to RH accessory relay to start RH Furnace for second stage heating
Y1	Y/Y2 (Y on standard control board)	Energizes accessory cooling relay to start LH and A/C for first stage cooling and cooling speed blower
Y2	None	Thermostat Y2 wired directly to RH accessory relay to start RH and A/C for second stage cooling
G	G	Starts both indoor fans on cooling speed (With Y/Y2 energized)
Dehum*	Dehum*	Reduces airflow in cooling mode from cooling speed to heating speed when Dehum input is removed

*. Dehum is not available on all thermostats or control boards

Table 5 – Two-Stage Furnace Thermostat Connections

Two-Stage Heating with Single-Stage Thermostat Using Two-Stage Furnaces		
THERMOSTAT CONNECTIONS	CONTROL BOARD CONNECTION	ACTION
C	C	Transformer Common
R	R	Power from control board to thermostat
W	W/W1	Starts LH and RH furnaces in low heat or high heat, as determined by LH furnace control board*
Y 1	Y/Y2	Energizes accessory cooling relay to start both A/C units for cooling
Y2	None	Thermostat Y2 wired directly to RH accessory relay to start RH and A/C for second stage cooling
G	G	Starts both indoor fans on cooling speed (With Y/Y2 energized)
Dehum*	Dehum†	Reduces airflow in cooling mode from cooling speed to heating speed when Dehum input is removed
Two-Stage Heating with Two-Stage Thermostat Using Two-Stage Furnaces		
C	C	Transformer Common
R	R	Power from control board to thermostat
W1	W/W1	Starts both furnaces in low heat for first stage heating*
W2	W2	Starts both furnaces in high heat for second stage heating*
Y 1	Y/Y2	Energizes accessory cooling relay to start both A/C units for cooling
Y2	None	Thermostat Y2 wired directly to RH accessory relay to start RH and A/C for second stage cooling
G	G	Starts both indoor fans on cooling speed (With Y/Y2 energized)
Dehum*	Dehum†	Reduces airflow in cooling mode from cooling speed to heating speed when Dehum input is removed

*. Do not remove ACRDJ from furnace control boards

†. Dehum is not available on all thermostats or control boards
LHT switches must be in correct configuration

Table 6 – Continuous Fan Operation

THERMOSTAT CONNECTIONS	CONTROL BOARD CONNECTION	ACTION
R	R	Power from control board to thermostat
G	G	Starts both fans*

VENTING

Refer to Installation, Start-Up, and Operating Instructions supplied with each furnace for venting information. Each furnace must always be individually vented. Do not common-vent or breach-vent condensing furnaces. For allowable vent installations refer to furnace installation instructions for allowable configurations and proper termination. It is important that vent terminations be made as shown to avoid recirculation of flue gases.

GAS SUPPLY PIPING

All gas connections must be made through exposed outer side of each furnace. Do not common connect any connection other than supply and

return-air ducts. Furnaces are recommended to be provided with a single shutoff valve. However, individual shutoff valves may be required by local codes or jurisdictions. Refer to Installation, Start-Up, and Operating Instructions provided with each furnace for additional gas supply information.


CONDENSATE DRAIN CONNECTIONS

For condensing furnaces, the condensate trap is factory installed in the furnace vestibule and factory connected for UPFLOW applications. Install condensate trap such that field drain connections are on the left side for LH (MAIN) furnace and on right side for RH (SECONDARY) furnace.

The condensate trap must be relocated for downflow and horizontal applications.

See furnace Installation, Start-Up, and Operating Instructions for details on relocating the condensate and attaching field drain connections.

START-UP AND ADJUSTMENT

 **WARNING**

ELECTRICAL SHOCK, FIRE OR EXPLOSION HAZARD

Failure to follow this warning could result in personal injury or death, or property damage.

Before installing, modifying, or servicing system, main electrical disconnect switch must be in the OFF position and install a lockout tag. There may be more than one disconnect switch. Check accessories and cooling unit for additional electrical supplies that must be shut off during furnace servicing. Lock out and tag switch with a suitable warning label. Verify proper operation after servicing.

NOTE: Refer to Installation, Start-Up, and Operating Instructions supplied with furnace for detailed information.

1. Shut off all power and gas to both furnaces.
2. For control boards with display and push-buttons, set the twinning menu item on the Secondary Furnace to *SEC* as shown on wiring label.

NOTE: The secondary furnace blower will not run with cooling if this is not set correctly

3. Set the heating blower speed to the same setting or tap on both furnaces. Repeat for cooling and continuous fan speed settings.
4. Attach twinning connection wiring label above the existing furnace wiring label on the inside of the LH furnace blower door. Use the following labels for the following applications:
 - Single-Stage furnaces with single-stage thermostat, 347781-101
 - Single-Stage furnaces with two-stage thermostat, 347780-101
 - Two-Stage furnaces with single-stage or two-stage thermostat, 344964-101
5. Attach twinning reference label 347782-101 on the outside of blower access door of RH furnace.

NOTICE

These furnaces are twinned together using accessory Twinning Kit AGATWNDTE01B. Refer to Twinning Kit wiring label located on other furnace for component information and wiring details used with this kit.

Use furnace wiring diagram supplied with each furnace for individual furnace component information and wiring details.



347782-101 REV.-

Fig. 23 – Example of Twinning Reference Label

A210183

6. Manually close the door switch on both furnaces.
7. Turn on power and gas to furnaces.
8. Using the appropriate section below, operate furnaces through two cycles in each mode to confirm correct operation by operating only the thermostat.
 - a. Single- or two-stage gas heating thermostat R to W/W1 for low-heat. Single-stage thermostat with adaptive heating mode causes furnace to operate in low-heat mode for up to 16 minutes, and then furnace automatically switches to high-heat. First stage

of a two-stage thermostat without adaptive heating mode causes furnace to operate in low-heat mode indefinitely.

- b. First and second-stage of two-stage heating thermostat R to W/W1 and W2 for high-heat.
- c. Thermostat R to G for continuous fan or two-stage cooling low-cool blower. (See [Table 6](#))
- d. Cooling thermostat R to G and Y/Y2 for singlestage cooling blower or for two-stage cooling high-cool blower.

9. Reinstall doors on both furnaces.

10. Instruct user in operation of furnaces and thermostat.

SEQUENCE OF OPERATION

See condensing furnace twinning connection and schematic wiring diagrams while reviewing sequence of operation.

Twinning operation is controlled by LH or MAIN furnace. The TWIN/TEST connection wire ensures the two furnaces coordinate their blower operation. When either furnace requires blower operation, both furnace blowers operate at same speed. Both furnaces operate simultaneously in the same mode: heat, cool, or continuous fan. Exceptions can occur if a safety switch on either furnace is opened by a problem (such as pressure switch, flame roll-out switch, main limit switch, twinning kit auxiliary limit switch, or flame-proving sensor). In such a case, the other furnace continues to operate unless open switch is the flame roll-out, main limit, or twinning kit auxiliary limit switch, in which case both furnaces respond.

Before performing component test, disconnect TKR yellow wire labeled TEST from LH furnace control center TWIN/TEST terminal. After removing yellow wire, component test can be initiated on each furnace individually as stated in Installation, Start-Up, and Operating Instructions.

SINGLE-STAGE HEAT, SINGLE-STAGE FURNACES WITH SINGLE-STAGE THERMOSTAT

1. Operation in all modes (sequence of operation) is the same for twinned furnaces as for an individual furnace. See furnace Installation, Start-Up, and Operating Instructions for more information on the sequence of operation.

TWO-STAGE HEAT, SINGLE-STAGE FURNACES WITH TWO-STAGE THERMOSTAT

1. The two-stage thermostat determines if furnaces are operating in first-stage heat (LH furnace operates in heat while RH furnace blower operates but RH furnace is not heating) or if furnaces are operating in second-stage heat (both furnaces operate in heat), depending on how many thermostat stages are calling for heat. If two-stage cooling is used, Y1 from the thermostat will initiate both furnace blowers to the cooling speed and the first A/C unit. Y2 from the thermostat will go directly to the outdoor unit and initiate the second A/C unit.
2. Operation in all modes (sequence of operation) is the same for twinned furnaces as for an individual furnace. See furnace Installation, Start-Up, and Operating Instructions for more information on sequence of operation.

TWO-STAGE HEAT, TWO-STAGE FURNACES WITH SINGLE-STAGE THERMOSTAT

NOTE: See Electrical Connections for control board wiring and LHT switch setup). (See [Fig. 24](#))

Thermostat Type	Left Hand LHT Switch 1	Right Hand LHT Switch 1	
Single Stage Thermostat	OFF	ON	
Two-Stage Thermostat	ON	ON	

Fig. 24 – Furnace Thermostat Switch

L11F107

1. LH furnace control determines whether furnaces are both operating in low-heat or high-heat, depending on the control’s adaptive gas heating mode when the R-to-W/W1 circuit is closed in LH furnace.
2. Operation in all modes (sequence of operation) is the same for twinned furnaces as for an individual furnace. See furnace Installation, Start-Up, and Operating Instructions for more information on sequence of operation.

TWO-STAGE HEAT, TWO-STAGE FURNACES WITH TWO-STAGE GAS-HEAT THERMOSTAT

NOTE: See Electrical Connections for control board wiring and LHT switch setup.

1. The two-stage thermostat (NOT the furnace control’s adaptive gas heating mode) determines whether furnaces are both operating in low-heat or high-heat, depending on whether one or both thermostat stages (W/W1 or W/W1 and W2) are calling for heat.
2. Operation in all modes (sequence of operation) is the same for twinned furnaces as for an individual furnace. See furnace Installation, Start-Up, and Operating Instructions for more information on sequence of operation.

