

EVD5X Evaporator Coil with Power-V Technology for R-454B Refrigerant Upflow/Downflow – Cooling and Heating

To be Used with Outdoor HP Piston Heating Metering Device Only*
*Refer to AHRI Directory for Approved Rated Combinations.



Product Data

NOTE: EVD5X V-Coils can only operate with OD Heat Pump installations that have a Piston Heating Metering device. Use of the V-Coil for OD HP installations that do not have a Piston Metering Device are not an approved installation.

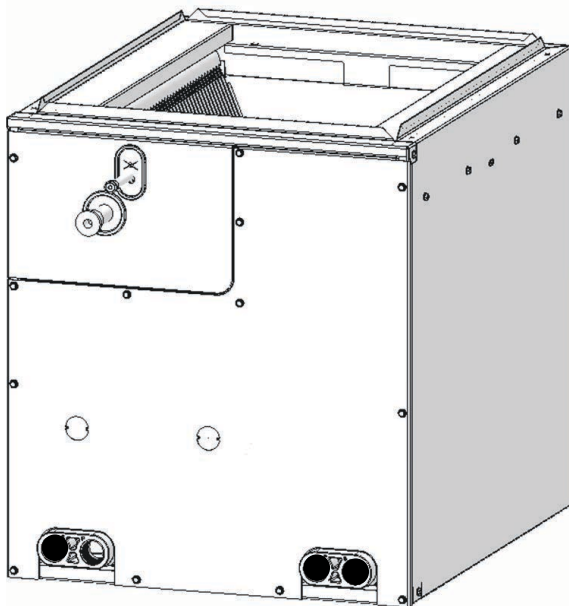


Fig. 1 – Typical Coil

A210758C

- The corrosion-resistant drain pan is designed of a “Polybutylene terephthalate” material (PBT) that offers unsurpassed pan strength. It is engineered with proper slope to help ensure water drainage, improved moisture removal, and home comfort.
- The drain pan is supplied with three water-tight drain plugs to prevent leakage from unused drain connections.
- Provided with industry proven sweat connections for leak-free operation to maintain system reliability. The location of the lineset connections allows for removal of the access door for easy cleaning/servicing of the coils, as well as easy access to the TXV. All models come from the factory with enough length of straight tube to accommodate braze-less compression fittings.
- Meets or exceeds burst pressure of 2100 psi, which is at least three times the maximum operating pressure it would see in actual cooling or heating application.
- This cased coil comes with factory-installed UV knockouts for quick and easy installation of UV lights.
- Comes with a “no delta plate” for easy, quick access to both sides of the coil for service and cleaning. Also, after the door is removed and refrigerant lines disconnected, the coil is removable from the front of the unit without the use of any tools.
- All models are shipped with a complete A2L (R-454B) dissipation system, which is required for installation.

Table 1 – Dissipation Parts List

| Component | Location |
|--------------------------------|-------------------|
| Refrigerant Sensor | Factory Installed |
| Sensor Wire Harness | Factory Installed |
| Leak Dissipation Control Board | Parts Box |
| Dissipation Board Housing | Parts Box |
| Power Wire Harness | Parts Box |



A200449AICP

This evaporator coil incorporates proven standards for reliable system operation and performance throughout the life of this product. These quality coils, manufactured and installed as part of a total comfort system, provide AHRI-rated performance ratings and are additionally listed with UL and c-UL.

Available for use in R-454B refrigerant only, it is a cased V-coil or slope coil that is housed in a durable, 24-gauge, pre-painted cool gray cabinet. The fully insulated cabinet (foil faced with R-2.1 insulation) provides for quiet efficient operation of the evaporator coil.

DESIGN FEATURES

- Refrigerant leak detection dissipation system for added safety.
- Designed with performance in mind, this new evaporator coil offers lower pressure drops to enhance system performance and airflow characteristics.
- All coils have refrigerant-specific, factory-installed TXVs. All models are factory pre-set to approximately 10° of superheat at the suction service valve.

WARRANTY

- Default 5-year parts limited warranty:
 - 10-year parts limited warranty with timely registration*.
 Equipment must be registered within 90 days of original installation, except in jurisdictions where warranty benefits cannot be conditioned on registration.
- * Applies to original purchaser/homeowner and not available to subsequent owners, except in jurisdictions where laws dictate otherwise.

See Warranty certificate for complete details and restrictions.

MODEL NUMBER NOMENCLATURE

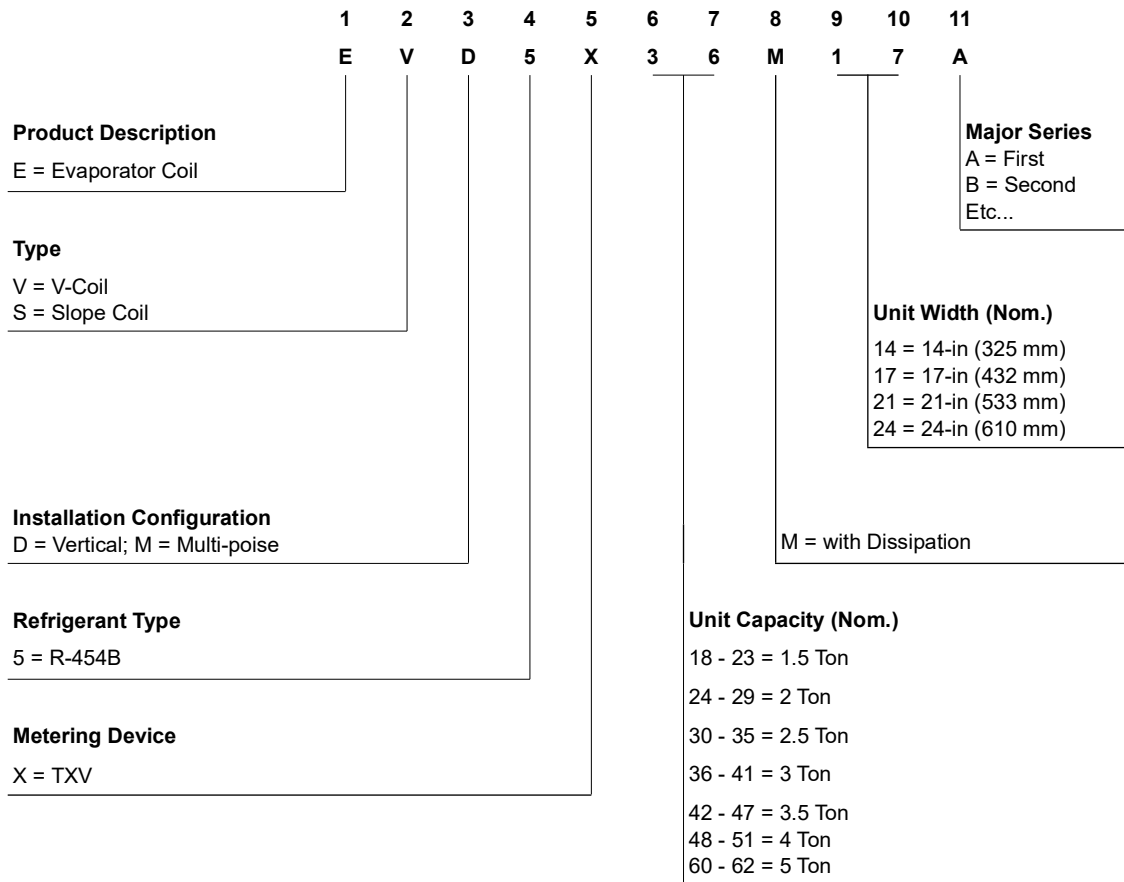


Table 2 – Coil Connections / Orientations

| Model | Nom. Tons | Line Set Connection Tube Size, in. | | Flush Fit to Furnace Width, in. (mm) | Fits Next Smaller Furnace Width | | | 90° Rotation to Furnace (4" Min. Transition Required) | 180° Rotation to Furnace |
|-------------|-----------|------------------------------------|--------|--------------------------------------|---------------------------------|-------------|--------------|---|--------------------------|
| | | Suction | Liquid | | Equal Overhang | Offset Left | Offset Right | | |
| EVD5X18M14A | 1.5 | 3/4 | 3/8 | 14-3/16 (360) | | | | ALL Upflow or Downflow | |
| EVD5X19M17A | 1.5 | 3/4 | 3/8 | 17-1/2 (445) | X | X | X | | |
| EVD5X24M14A | 2 | 3/4 | 3/8 | 14-3/16 (360) | | | | | |
| EVD5X24M17A | 2 | 3/4 | 3/8 | 17-1/2 (445) | X | X | X | | |
| EVD5X25M14A | 2 | 3/4 | 3/8 | 14-3/16 (360) | | | | | |
| EVD5X25M17A | 2 | 3/4 | 3/8 | 17-1/2 (445) | X | X | X | | |
| EVD5X30M14A | 2.5 | 3/4 | 3/8 | 14-3/16 (360) | | | | | |
| EVD5X30M17A | 2.5 | 3/4 | 3/8 | 17-1/2 (445) | X | X | X | | |
| EVD5X31M17A | 2.5 | 3/4 | 3/8 | 17-1/2 (445) | X | X | X | | |
| EVD5X36M17A | 3 | 3/4 | 3/8 | 17-1/2 (445) | X | X | X | | |
| EVD5X36M21A | 3 | 3/4 | 3/8 | 21 (533) | X | X | X | | |
| EVD5X37M21A | 3 | 3/4 | 3/8 | 21 (533) | X | X | X | | |
| EVD5X38M17A | 3 | 3/4 | 3/8 | 17-1/2 (445) | X | X | X | | |
| EVD5X42M17A | 3.5 | 7/8 | 3/8 | 17-1/2 (445) | X | X | X | | |
| EVD5X42M21A | 3.5 | 7/8 | 3/8 | 21 (533) | X | X | X | | |
| EVD5X42M24A | 3.5 | 7/8 | 3/8 | 24-1/2 (622) | X | X | X | | |
| EVD5X48M21A | 4 | 7/8 | 3/8 | 21 (533) | X | X | X | | |
| EVD5X48M24A | 4 | 7/8 | 3/8 | 24-1/2 (622) | X | X | X | | |
| EVD5X49M24A | 4 | 7/8 | 3/8 | 24-1/2 (622) | X | X | X | | |
| EVD5X60M21A | 5 | 7/8 | 3/8 | 21 (533) | X | X | X | | |
| EVD5X60M24A | 5 | 7/8 | 3/8 | 24-1/2 (622) | X | X | X | | |
| EVD5X61M21A | 5 | 7/8 | 3/8 | 21 (533) | X | X | X | | |
| EVD5X61M24A | 5 | 7/8 | 3/8 | 24-1/2 (622) | X | X | X | | |

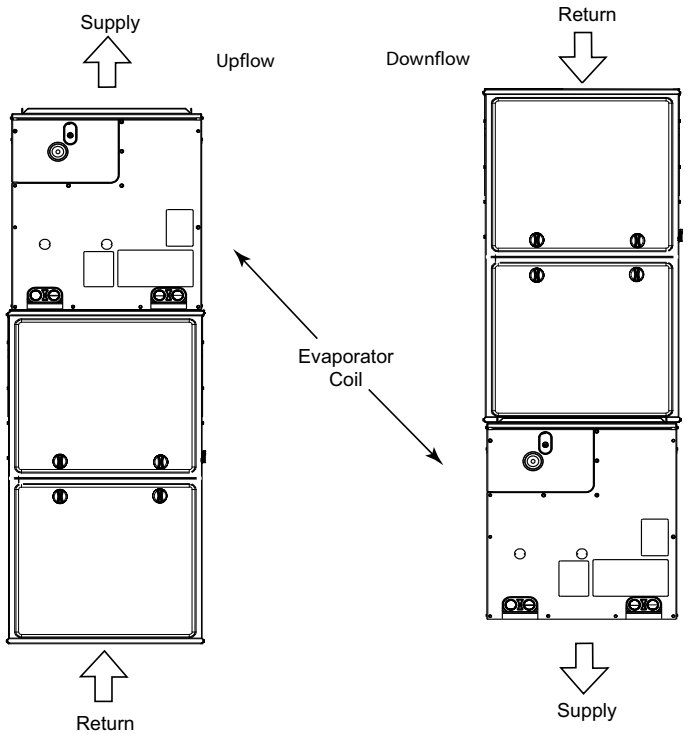


Fig. 2 – Typical Flush-Fit Coil Installation on Furnace (recommended) A200227C

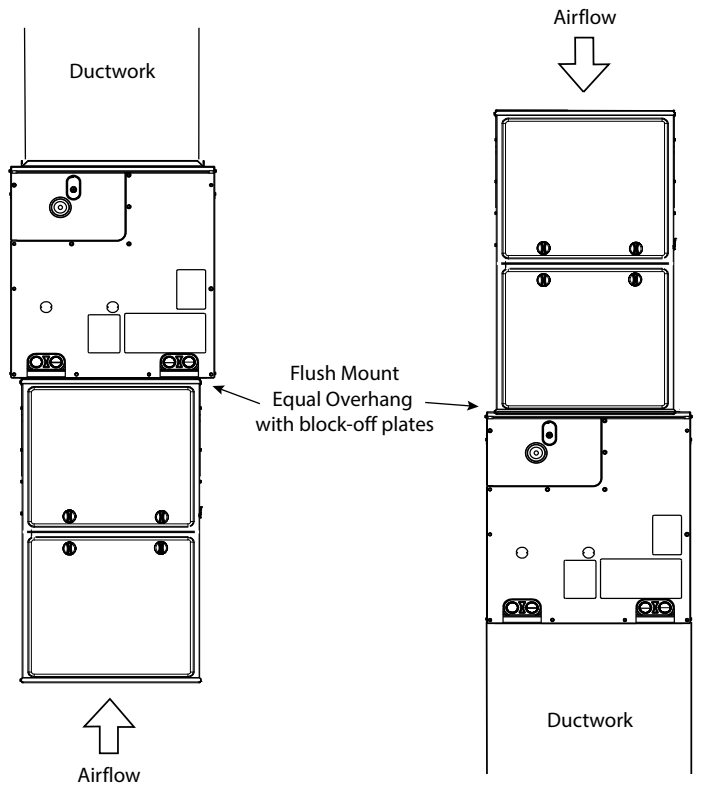


Fig. 4 – Smaller Furnace, Equal Overhang, Flush Mount (not recommended) A221112A

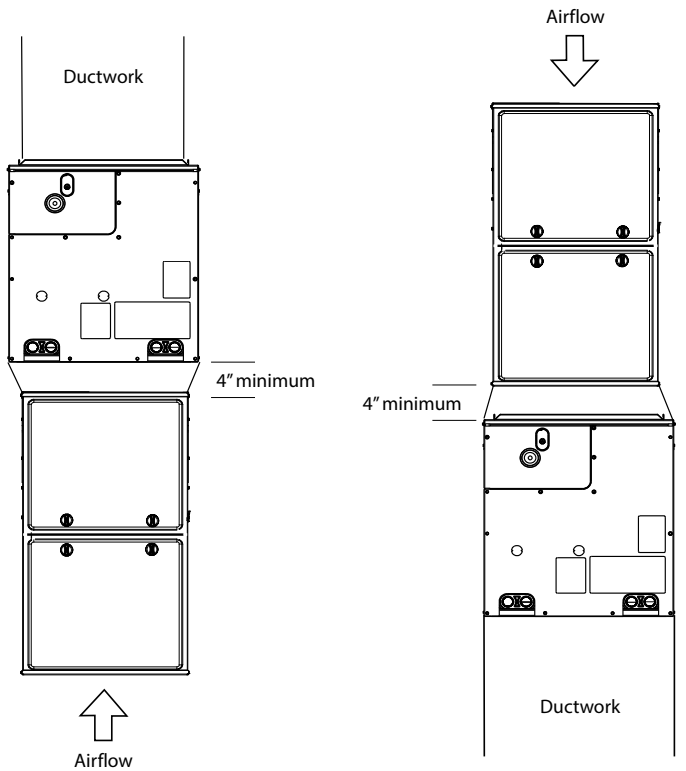


Fig. 3 – Adapter(s) Installation When Coil is Larger than Furnace (recommended) A200228C

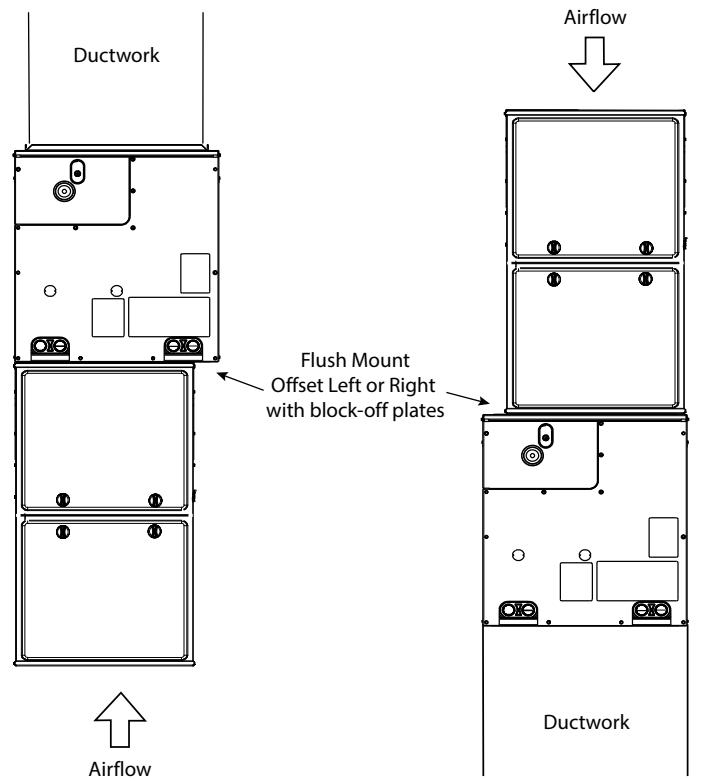
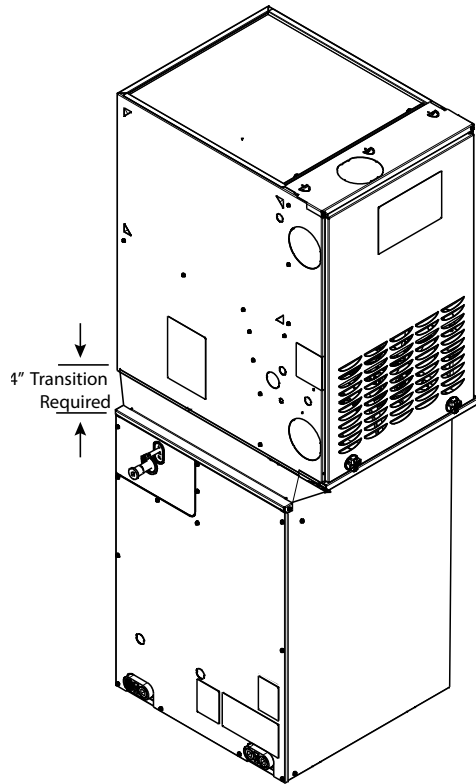
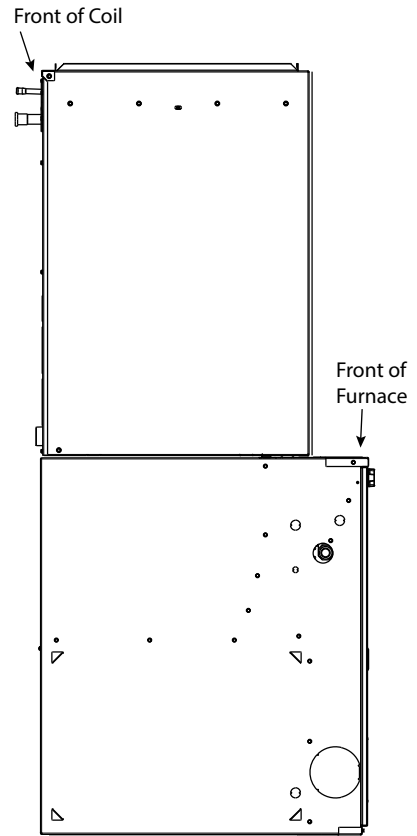


Fig. 5 – Smaller Furnace, Offset, Flush Mount Right or Left (not recommended) A221113A



**Fig. 6 – 90° Rotation (shown in downflow)
4" Transition Required (not recommended)**

A221110A



**Fig. 7 – 180° Rotation (shown in upflow)
(not recommended)**

A221111

Table 3 – Accessories

| Part Number | Description |
|--------------|---|
| NAHB00101CA | Coil Adapter Kits - No Offset |
| NAHB00201CA | Coil Adapter Kits - Single Offset |
| NAHB00301CA | Coil Adapter Kits - Double Offset |
| ACAWHNDIS01A | Alternate Wire Harness / Relay Kit - Higher Airflow |
| ACAINTDIS10A | CNN / Communicating Plug (10-pack) |

DIMENSIONS

| UNIT | SERIES | A | | B (Cabinet Width) | | C | | D | | E | | F | | H (Suction Line) | | OPERATING WEIGHT | | SHIPPING WEIGHT | | SHIPPING HEIGHT | | SHIPPING WIDTH | | SHIPPING DEPTH | |
|-------------|--------|----------|-------|----------------------|-------|---------|-------|----------|-------|----------|-------|-------|-------|---------------------|------|------------------|------|-----------------|------|-----------------|-------|----------------|-------|----------------|-------|
| | | INCH | MM | INCH | MM | INCH | MM | INCH | MM | INCH | MM | INCH | MM | INCH | MM | Lbs | Kgs | Lbs | Kgs | INCH | MM | INCH | MM | INCH | MM |
| EVD5X18M14A | 1 | 14 11/16 | 372.4 | 14 3/16 | 360.4 | 12 7/16 | 316.2 | 13 3/16 | 335.2 | 11 5/8 | 294.8 | 7 1/8 | 180.2 | 5/8 | 15.9 | 25.6 | 11.6 | 30.0 | 13.6 | 16.0 | 406.4 | 16.3 | 414.0 | 23.8 | 604.5 |
| EVD5X19M17A | 1 | 19 7/16 | 494.5 | 17 1/2 | 444.5 | 15 3/4 | 400.3 | 17 5/16 | 440.4 | 15 11/16 | 398.7 | 8 3/4 | 222.3 | 5/8 | 15.9 | 33.2 | 15.1 | 39.0 | 17.7 | 20.7 | 525.8 | 19.6 | 497.8 | 23.8 | 604.5 |
| EVD5X24M14A | 1 | 14 11/16 | 372.4 | 14 3/16 | 360.4 | 12 7/16 | 316.2 | 13 3/16 | 335.2 | 11 5/8 | 294.8 | 7 1/8 | 180.2 | 5/8 | 15.9 | 25.6 | 11.6 | 30.0 | 13.6 | 16.0 | 406.4 | 16.3 | 414.0 | 23.8 | 604.5 |
| EVD5X24M17A | 1 | 14 11/16 | 372.4 | 17 1/2 | 444.5 | 15 3/4 | 400.3 | 13 3/16 | 335.2 | 11 5/8 | 294.8 | 8 3/4 | 222.3 | 5/8 | 15.9 | 33.2 | 15.1 | 39.0 | 17.7 | 16.0 | 406.4 | 16.3 | 497.8 | 23.8 | 604.5 |
| EVD5X25M14A | 1 | 17 1/16 | 432.6 | 14 3/16 | 360.4 | 12 7/16 | 316.2 | 14 15/16 | 380.2 | 14 | 355.0 | 7 1/8 | 180.2 | 5/8 | 15.9 | 28.1 | 12.7 | 33.0 | 15.0 | 18.4 | 467.4 | 16.3 | 414.0 | 23.8 | 604.5 |
| EVD5X25M17A | 1 | 19 7/16 | 494.5 | 17 1/2 | 444.5 | 15 3/4 | 400.3 | 17 5/16 | 440.4 | 15 11/16 | 398.7 | 8 3/4 | 222.3 | 5/8 | 15.9 | 33.2 | 15.1 | 39.0 | 17.7 | 20.7 | 525.8 | 19.6 | 497.8 | 23.8 | 604.5 |
| EVD5X30M14A | 1 | 17 1/16 | 432.6 | 14 3/16 | 360.4 | 12 7/16 | 316.2 | 14 15/16 | 380.2 | 14 | 355.0 | 7 1/8 | 180.2 | 3/4 | 19.1 | 28.1 | 12.7 | 33.0 | 15.0 | 18.4 | 467.4 | 16.3 | 414.0 | 23.8 | 604.5 |
| EVD5X30M17A | 1 | 19 7/16 | 494.5 | 17 1/2 | 444.5 | 15 3/4 | 400.3 | 17 5/16 | 440.4 | 15 11/16 | 398.7 | 8 3/4 | 222.3 | 3/4 | 19.1 | 33.2 | 15.1 | 39.0 | 17.7 | 20.7 | 525.8 | 19.6 | 497.8 | 23.8 | 604.5 |
| EVD5X31M17A | 1 | 25 13/16 | 656.4 | 17 1/2 | 444.5 | 15 3/4 | 400.3 | 24 3/16 | 614.2 | 22 13/16 | 578.8 | 8 3/4 | 222.3 | 3/4 | 19.1 | 39.0 | 17.7 | 46.0 | 20.9 | 27.1 | 688.3 | 19.6 | 497.8 | 23.8 | 604.5 |
| EVD5X36M17A | 1 | 19 7/16 | 494.5 | 17 1/2 | 444.5 | 15 3/4 | 400.3 | 17 5/16 | 440.4 | 15 11/16 | 398.7 | 8 3/4 | 222.3 | 3/4 | 19.1 | 33.2 | 15.1 | 39.0 | 17.7 | 20.7 | 525.8 | 19.6 | 497.8 | 23.8 | 604.5 |
| EVD5X38M17A | 1 | 29 3/4 | 755.3 | 17 1/2 | 444.5 | 15 3/4 | 400.3 | 27 3/4 | 704.9 | 26 11/16 | 677.7 | 8 3/4 | 222.3 | 3/4 | 19.1 | 43.3 | 19.6 | 51.0 | 23.1 | 31.0 | 787.4 | 19.6 | 497.8 | 23.8 | 604.5 |
| EVD5X42M17A | 1 | 19 1/4 | 489.1 | 17 1/2 | 444.5 | 15 3/4 | 400.3 | 19 1/8 | 485.9 | 18 1/16 | 459.1 | 8 3/4 | 222.3 | 7/8 | 22.2 | 34.0 | 15.4 | 40.0 | 18.1 | 22.5 | 571.5 | 19.6 | 497.8 | 23.8 | 604.5 |

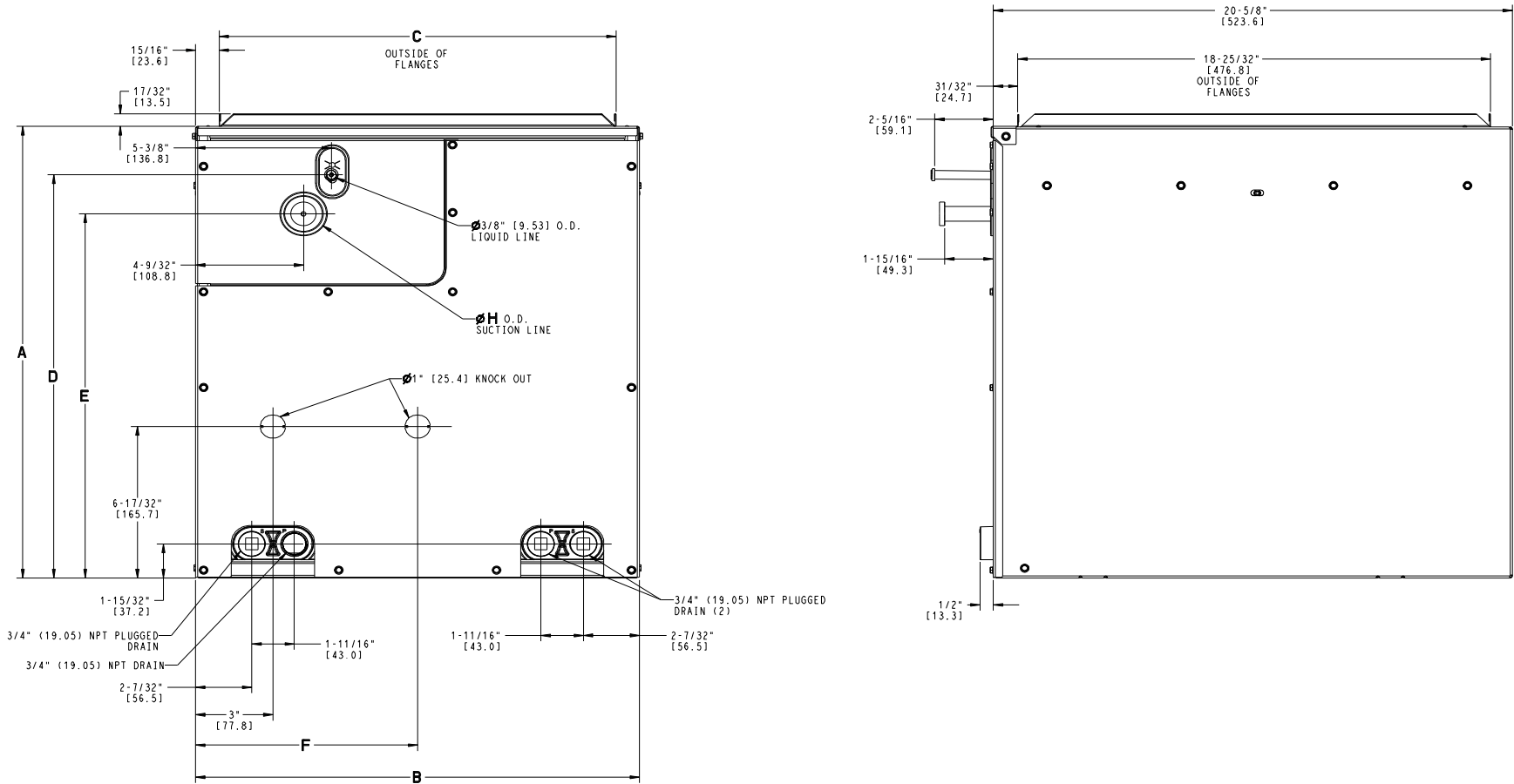


Fig. 8 – EVD5X (14" & 17" cabinet widths)

DIMENSIONS (cont)

| UNIT | SERIES | A | | B (Cabinet Width) | | C | | D | | E | | F | | H (Suction Line) | | OPERATING WEIGHT | | SHIPPING WEIGHT | | SHIPPING HEIGHT | | SHIPPING WIDTH | | SHIPPING DEPTH | |
|-------------|--------|----------|-------|----------------------|-------|--------|-------|---------|-------|----------|-------|--------|-------|---------------------|------|------------------|------|-----------------|------|-----------------|-------|----------------|-------|----------------|-------|
| | | INCH | MM | INCH | MM | INCH | MM | INCH | MM | INCH | MM | INCH | MM | INCH | MM | Lbs | Kgs | Lbs | Kgs | INCH | MM | INCH | MM | INCH | MM |
| EVD5X36M21A | 1 | 19 1/16 | 483.4 | 21 | 533.4 | 19 1/4 | 489.2 | 16 7/8 | 427.9 | 16 | 405.8 | 10 1/2 | 266.7 | 3/4 | 19.1 | 34.0 | 15.4 | 40.0 | 18.1 | 20.4 | 518.2 | 23.1 | 586.7 | 23.8 | 604.5 |
| EVD5X37M21A | 1 | 21 15/16 | 557.9 | 21 | 533.4 | 19 1/4 | 489.2 | 20 1/16 | 510.0 | 18 5/16 | 465.0 | 10 1/2 | 266.7 | 3/4 | 19.1 | 37.4 | 17.0 | 44.0 | 20.0 | 23.5 | 596.9 | 23.1 | 586.7 | 23.8 | 604.5 |
| EVD5X42M21A | 1 | 19 1/16 | 483.4 | 21 | 533.4 | 19 1/4 | 489.2 | 16 7/8 | 427.9 | 16 | 405.8 | 10 1/2 | 266.7 | 7/8 | 22.2 | 34.0 | 15.4 | 40.0 | 18.1 | 20.4 | 518.2 | 23.1 | 586.7 | 23.8 | 604.5 |
| EVD5X42M24A | 1 | 26 5/16 | 669.0 | 24 1/2 | 622.3 | 22 3/4 | 578.1 | 24 3/4 | 629.3 | 23 5/16 | 591.4 | 12 1/4 | 311.2 | 7/8 | 22.2 | 43.3 | 19.6 | 51.0 | 23.1 | 27.7 | 703.6 | 26.6 | 675.6 | 23.8 | 604.5 |
| EVD5X48M21A | 1 | 21 15/16 | 557.9 | 21 | 533.4 | 19 1/4 | 489.2 | 20 1/16 | 510.0 | 18 5/16 | 465.0 | 10 1/2 | 266.7 | 7/8 | 22.2 | 37.4 | 17.0 | 44.0 | 20.0 | 23.5 | 596.9 | 23.1 | 586.7 | 23.8 | 604.5 |
| EVD5X48M24A | 1 | 22 1/16 | 560.8 | 24 1/2 | 622.3 | 22 3/4 | 578.1 | 20 3/16 | 513.4 | 19 | 483.2 | 12 1/4 | 311.2 | 7/8 | 22.2 | 39.0 | 17.7 | 46.0 | 20.9 | 23.5 | 596.9 | 26.6 | 675.6 | 23.8 | 604.5 |
| EVD5X49M24A | 1 | 26 5/16 | 669.0 | 24 1/2 | 622.3 | 22 3/4 | 578.1 | 24 5/16 | 616.9 | 22 9/16 | 573.2 | 12 1/4 | 311.2 | 7/8 | 22.2 | 43.3 | 19.6 | 51.0 | 23.1 | 27.7 | 703.6 | 26.6 | 675.6 | 23.8 | 604.5 |
| EVD5X60M21A | 1 | 29 3/4 | 755.3 | 21 | 533.4 | 19 1/4 | 489.2 | 28 1/4 | 717.0 | 26 11/16 | 677.7 | 10 1/2 | 266.7 | 7/8 | 22.2 | 45.8 | 20.8 | 54.0 | 24.5 | 31.0 | 787.4 | 23.1 | 586.7 | 23.8 | 604.5 |
| EVD5X60M24A | 1 | 26 5/16 | 669.0 | 24 1/2 | 622.3 | 22 3/4 | 578.1 | 24 3/4 | 629.3 | 23 5/16 | 591.4 | 12 1/4 | 311.2 | 7/8 | 22.2 | 43.3 | 19.6 | 51.0 | 23.1 | 27.7 | 703.6 | 26.6 | 675.6 | 23.8 | 604.5 |
| EVD5X61M21A | 1 | 35 | 889.6 | 21 | 533.4 | 19 1/4 | 489.2 | 33 1/8 | 841.4 | 31 15/16 | 812.0 | 10 1/2 | 266.7 | 7/8 | 22.2 | 50.8 | 23.0 | 60.0 | 27.2 | 36.3 | 922.0 | 23.1 | 586.7 | 23.8 | 604.5 |
| EVD5X61M24A | 1 | 35 | 889.6 | 24 1/2 | 622.3 | 22 3/4 | 578.1 | 33 7/16 | 850.0 | 31 1/4 | 793.8 | 12 1/4 | 311.2 | 7/8 | 22.2 | 55.9 | 25.4 | 66.0 | 29.9 | 36.3 | 922.0 | 26.6 | 675.6 | 23.8 | 604.5 |

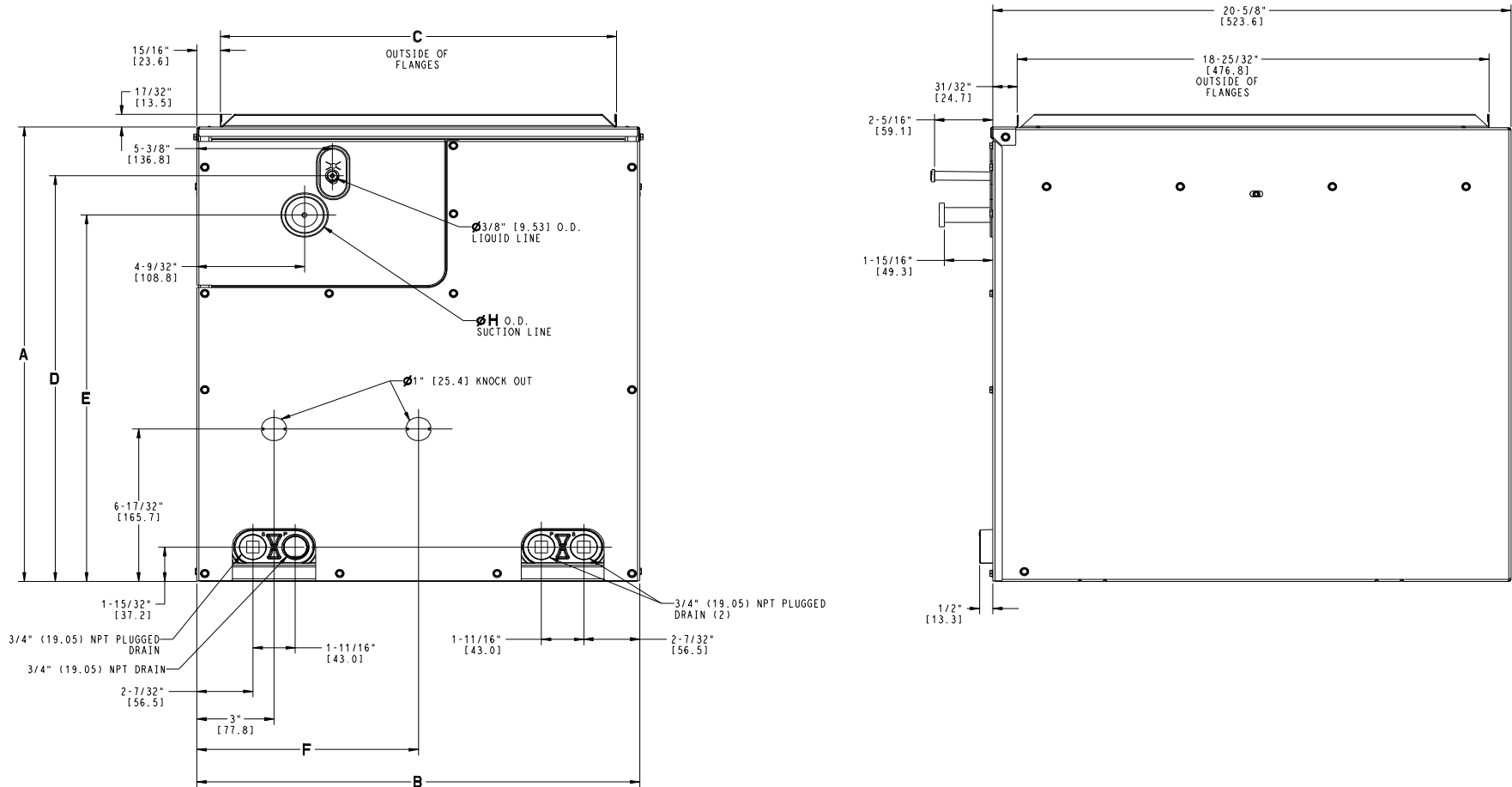


Fig. 9 – EVD5X (21" & 24" cabinet widths)

Table 4 – Cooling Capacities (MBH) – R-454B

| INDOOR COIL AIR | | SATURATED TEMPERATURE LEAVING EVAPORATOR (deg F) | | | | | | | | | | | | | | |
|-----------------|-----|--|-------|------|-------|-------|------|-------|-------|------|-------|-------|------|-------|-------|------|
| | | 35 | | | 40 | | | 45 | | | 50 | | | 55 | | |
| CFM | EWB | TC | SHC | BF | TC | SHC | BF | TC | SHC | BF | TC | SHC | BF | TC | SHC | BF |
| SIZE1814 | | | | | | | | | | | | | | | | |
| 450 | 72 | 32.33 | 16.37 | 0.00 | 29.42 | 14.73 | 0.00 | 25.84 | 12.98 | 0.00 | 21.83 | 11.20 | 0.25 | 17.26 | 9.21 | 0.23 |
| | 67 | 26.69 | 16.93 | 0.21 | 23.50 | 15.18 | 0.20 | 20.00 | 13.36 | 0.20 | 15.94 | 11.34 | 0.21 | 11.68 | 9.30 | 0.23 |
| | 62 | 21.27 | 17.16 | 0.18 | 18.22 | 15.37 | 0.19 | 14.67 | 13.38 | 0.20 | 11.12 | 11.11 | 0.20 | 9.40 | 9.40 | 0.31 |
| 600 | 72 | 38.94 | 19.67 | 0.00 | 35.98 | 17.92 | 0.00 | 31.74 | 15.89 | 0.00 | 26.92 | 13.77 | 0.31 | 21.49 | 11.47 | 0.27 |
| | 67 | 32.77 | 20.73 | 0.29 | 28.93 | 18.71 | 0.25 | 24.71 | 16.55 | 0.24 | 19.84 | 14.18 | 0.25 | 14.56 | 11.68 | 0.27 |
| | 62 | 26.18 | 21.23 | 0.22 | 22.68 | 19.22 | 0.23 | 18.22 | 16.80 | 0.24 | 14.16 | 14.15 | 0.23 | 11.66 | 11.66 | 0.36 |
| 750 | 72 | 45.01 | 22.59 | 0.00 | 41.48 | 20.57 | 0.00 | 36.68 | 18.33 | 0.00 | 31.11 | 15.96 | 0.33 | 25.06 | 13.38 | 0.31 |
| | 67 | 37.80 | 23.94 | 0.33 | 33.46 | 21.68 | 0.29 | 28.69 | 19.29 | 0.28 | 23.13 | 16.64 | 0.28 | 16.89 | 13.69 | 0.30 |
| | 62 | 30.39 | 24.78 | 0.26 | 26.31 | 22.45 | 0.27 | 21.23 | 19.79 | 0.27 | 17.13 | 17.13 | 0.25 | 14.18 | 14.18 | 0.38 |
| SIZE1917 | | | | | | | | | | | | | | | | |
| 450 | 72 | 31.49 | 15.94 | 0.00 | 28.72 | 14.43 | 0.00 | 25.39 | 12.79 | 0.00 | 21.58 | 11.04 | 0.23 | 17.27 | 9.23 | 0.15 |
| | 67 | 25.99 | 16.46 | 0.19 | 22.95 | 14.82 | 0.14 | 19.66 | 13.14 | 0.13 | 15.89 | 11.29 | 0.13 | 11.80 | 9.36 | 0.15 |
| | 62 | 20.79 | 16.77 | 0.11 | 18.00 | 15.15 | 0.12 | 14.59 | 13.31 | 0.13 | 11.14 | 11.55 | 0.14 | 9.35 | 9.35 | 0.25 |
| 600 | 72 | 38.28 | 19.56 | 0.00 | 35.39 | 17.72 | 0.00 | 31.49 | 15.82 | 0.00 | 26.95 | 13.78 | 0.26 | 21.72 | 11.61 | 0.19 |
| | 67 | 32.18 | 20.36 | 0.25 | 28.55 | 18.48 | 0.18 | 24.49 | 16.43 | 0.17 | 19.89 | 14.23 | 0.17 | 14.93 | 11.96 | 0.18 |
| | 62 | 25.88 | 21.00 | 0.15 | 22.40 | 19.01 | 0.16 | 18.27 | 16.83 | 0.16 | 14.08 | 14.07 | 0.15 | 11.66 | 11.66 | 0.29 |
| 750 | 72 | 44.27 | 22.35 | 0.00 | 41.12 | 20.53 | 0.00 | 36.66 | 18.39 | 0.00 | 31.49 | 16.11 | 0.29 | 25.51 | 13.67 | 0.23 |
| | 67 | 37.38 | 23.70 | 0.27 | 33.27 | 21.61 | 0.22 | 28.69 | 19.35 | 0.20 | 23.41 | 16.85 | 0.20 | 17.58 | 14.20 | 0.21 |
| | 62 | 30.16 | 24.65 | 0.19 | 26.25 | 22.47 | 0.19 | 21.44 | 19.97 | 0.19 | 17.12 | 17.09 | 0.18 | 14.34 | 14.34 | 0.30 |
| SIZE2414 | | | | | | | | | | | | | | | | |
| 600 | 72 | 43.25 | 21.42 | 0.00 | 39.14 | 19.33 | 0.00 | 34.45 | 17.13 | 0.00 | 29.20 | 14.84 | 0.31 | 23.31 | 12.36 | 0.27 |
| | 67 | 35.54 | 22.33 | 0.29 | 31.38 | 20.15 | 0.25 | 26.81 | 17.83 | 0.24 | 21.52 | 15.28 | 0.25 | 15.79 | 12.58 | 0.27 |
| | 62 | 28.40 | 22.87 | 0.22 | 24.60 | 20.71 | 0.23 | 19.78 | 18.12 | 0.24 | 15.36 | 15.34 | 0.23 | 12.65 | 12.65 | 0.36 |
| 800 | 72 | 50.50 | 25.13 | 0.00 | 46.76 | 23.02 | 0.00 | 41.40 | 20.53 | 0.00 | 35.17 | 17.92 | 0.35 | 28.36 | 15.05 | 0.32 |
| | 67 | 42.51 | 26.80 | 0.33 | 37.76 | 24.32 | 0.30 | 32.40 | 21.66 | 0.30 | 26.19 | 18.75 | 0.29 | 19.22 | 15.51 | 0.31 |
| | 62 | 34.30 | 27.83 | 0.28 | 29.74 | 25.29 | 0.28 | 24.01 | 22.31 | 0.28 | 19.50 | 19.50 | 0.26 | 16.05 | 16.05 | 0.39 |
| 1000 | 72 | 57.91 | 28.63 | 0.00 | 53.24 | 26.12 | 0.00 | 47.24 | 23.42 | 0.00 | 40.30 | 20.55 | 0.38 | 32.95 | 17.47 | 0.36 |
| | 67 | 48.41 | 30.63 | 0.36 | 43.14 | 27.89 | 0.35 | 37.17 | 24.99 | 0.34 | 29.99 | 21.68 | 0.33 | 22.20 | 18.14 | 0.34 |
| | 62 | 39.32 | 32.16 | 0.32 | 33.85 | 29.23 | 0.32 | 27.60 | 25.99 | 0.32 | 22.91 | 22.91 | 0.31 | 19.20 | 19.20 | 0.41 |

Table 4 – Cooling Capacities (MBH) – R-454B (Continued)

| INDOOR COIL AIR | | SATURATED TEMPERATURE LEAVING EVAPORATOR (deg F) | | | | | | | | | | | | | | |
|-----------------|-----|--|-------|------|-------|-------|------|-------|-------|------|-------|-------|------|-------|-------|------|
| | | 35 | | | 40 | | | 45 | | | 50 | | | 55 | | |
| CFM | EWB | TC | SHC | BF | TC | SHC | BF | TC | SHC | BF | TC | SHC | BF | TC | SHC | BF |
| SIZE2417 | | | | | | | | | | | | | | | | |
| 600 | 72 | 42.67 | 21.23 | 0.00 | 38.94 | 19.26 | 0.00 | 34.35 | 17.08 | 0.00 | 29.22 | 14.84 | 0.30 | 23.34 | 12.37 | 0.26 |
| | 67 | 35.37 | 22.23 | 0.28 | 31.20 | 20.03 | 0.24 | 26.73 | 17.79 | 0.23 | 21.51 | 15.27 | 0.23 | 15.83 | 12.61 | 0.25 |
| | 62 | 28.32 | 22.80 | 0.21 | 24.31 | 20.51 | 0.22 | 19.79 | 18.12 | 0.22 | 15.27 | 15.25 | 0.22 | 12.67 | 12.66 | 0.34 |
| 800 | 72 | 50.41 | 25.11 | 0.00 | 46.62 | 22.97 | 0.00 | 41.33 | 20.51 | 0.00 | 35.21 | 17.94 | 0.33 | 28.46 | 15.12 | 0.31 |
| | 67 | 42.46 | 26.73 | 0.32 | 37.68 | 24.27 | 0.29 | 32.39 | 21.66 | 0.28 | 26.20 | 18.75 | 0.28 | 19.46 | 15.68 | 0.29 |
| | 62 | 34.27 | 27.81 | 0.26 | 29.71 | 25.27 | 0.26 | 24.07 | 22.34 | 0.27 | 19.48 | 19.48 | 0.25 | 16.16 | 16.15 | 0.37 |
| 1000 | 72 | 57.71 | 28.53 | 0.00 | 53.10 | 26.06 | 0.00 | 47.17 | 23.39 | 0.00 | 40.30 | 20.56 | 0.37 | 33.05 | 17.53 | 0.35 |
| | 67 | 48.27 | 30.56 | 0.35 | 43.05 | 27.85 | 0.33 | 37.12 | 24.98 | 0.32 | 30.13 | 21.77 | 0.32 | 22.35 | 18.25 | 0.33 |
| | 62 | 39.08 | 32.01 | 0.30 | 34.00 | 29.21 | 0.31 | 27.61 | 26.00 | 0.30 | 22.90 | 22.90 | 0.29 | 19.26 | 19.26 | 0.40 |
| SIZE2514 | | | | | | | | | | | | | | | | |
| 600 | 72 | 41.70 | 20.91 | 0.00 | 38.50 | 19.09 | 0.00 | 34.11 | 16.99 | 0.00 | 29.07 | 14.77 | 0.28 | 23.31 | 12.36 | 0.23 |
| | 67 | 35.01 | 21.99 | 0.28 | 31.00 | 19.91 | 0.21 | 26.55 | 17.67 | 0.21 | 21.48 | 15.24 | 0.21 | 15.87 | 12.64 | 0.22 |
| | 62 | 28.11 | 22.64 | 0.19 | 24.35 | 20.51 | 0.19 | 19.70 | 18.03 | 0.20 | 15.24 | 15.23 | 0.19 | 12.62 | 12.62 | 0.32 |
| 800 | 72 | 50.04 | 24.95 | 0.00 | 46.38 | 22.88 | 0.00 | 41.20 | 20.47 | 0.00 | 35.30 | 17.94 | 0.33 | 28.51 | 15.16 | 0.28 |
| | 67 | 42.17 | 26.57 | 0.30 | 37.47 | 24.17 | 0.27 | 32.28 | 21.61 | 0.26 | 26.23 | 18.79 | 0.25 | 19.43 | 15.67 | 0.26 |
| | 62 | 34.02 | 27.64 | 0.24 | 29.54 | 25.13 | 0.24 | 24.03 | 22.31 | 0.24 | 19.46 | 19.46 | 0.22 | 16.33 | 16.33 | 0.34 |
| 1000 | 72 | 57.39 | 28.40 | 0.00 | 52.79 | 25.95 | 0.00 | 47.01 | 23.34 | 0.00 | 40.24 | 20.55 | 0.35 | 33.05 | 17.56 | 0.33 |
| | 67 | 48.01 | 30.38 | 0.33 | 42.77 | 27.70 | 0.31 | 36.95 | 24.90 | 0.30 | 30.17 | 21.81 | 0.29 | 22.45 | 18.32 | 0.30 |
| | 62 | 38.89 | 31.90 | 0.28 | 33.88 | 29.16 | 0.28 | 27.67 | 26.05 | 0.28 | 22.93 | 22.93 | 0.26 | 19.31 | 19.31 | 0.37 |
| SIZE2517 | | | | | | | | | | | | | | | | |
| 600 | 72 | 41.73 | 20.82 | 0.00 | 38.18 | 18.94 | 0.00 | 33.89 | 16.90 | 0.00 | 28.99 | 14.72 | 0.27 | 23.34 | 12.39 | 0.19 |
| | 67 | 34.63 | 21.75 | 0.25 | 30.72 | 19.73 | 0.18 | 26.33 | 17.54 | 0.17 | 21.40 | 15.19 | 0.17 | 16.04 | 12.75 | 0.18 |
| | 62 | 27.84 | 22.42 | 0.15 | 24.02 | 20.26 | 0.16 | 19.64 | 17.95 | 0.16 | 15.08 | 15.07 | 0.16 | 12.54 | 12.54 | 0.29 |
| 800 | 72 | 49.66 | 24.85 | 0.00 | 46.16 | 22.84 | 0.00 | 41.16 | 20.49 | 0.00 | 35.37 | 17.97 | 0.30 | 28.69 | 15.27 | 0.24 |
| | 67 | 41.99 | 26.45 | 0.28 | 37.35 | 24.11 | 0.23 | 32.24 | 21.60 | 0.22 | 26.31 | 18.84 | 0.21 | 19.78 | 15.91 | 0.22 |
| | 62 | 33.87 | 27.53 | 0.20 | 29.49 | 25.11 | 0.20 | 24.10 | 22.34 | 0.20 | 19.40 | 19.40 | 0.18 | 16.25 | 16.25 | 0.31 |
| 1000 | 72 | 57.22 | 28.39 | 0.00 | 52.79 | 26.02 | 0.00 | 47.16 | 23.47 | 0.00 | 40.65 | 20.71 | 0.33 | 33.39 | 17.76 | 0.28 |
| | 67 | 47.97 | 30.35 | 0.30 | 42.81 | 27.78 | 0.27 | 37.09 | 25.03 | 0.26 | 30.41 | 21.99 | 0.25 | 22.98 | 18.73 | 0.25 |
| | 62 | 38.90 | 31.93 | 0.24 | 33.91 | 29.22 | 0.24 | 27.79 | 26.16 | 0.24 | 22.97 | 22.97 | 0.22 | 19.48 | 19.48 | 0.34 |

Table 4 – Cooling Capacities (MBH) – R-454B (Continued)

| INDOOR COIL AIR | | SATURATED TEMPERATURE LEAVING EVAPORATOR (deg F) | | | | | | | | | | | | | | |
|-----------------|-----|--|-------|------|-------|-------|------|-------|-------|------|-------|-------|------|-------|-------|------|
| | | 35 | | | 40 | | | 45 | | | 50 | | | 55 | | |
| CFM | EWB | TC | SHC | BF | TC | SHC | BF | TC | SHC | BF | TC | SHC | BF | TC | SHC | BF |
| SIZE3014 | | | | | | | | | | | | | | | | |
| 750 | 72 | 52.98 | 26.54 | 0.00 | 48.73 | 24.12 | 0.00 | 42.98 | 21.36 | 0.00 | 36.59 | 18.54 | 0.36 | 29.30 | 15.53 | 0.27 |
| | 67 | 44.33 | 27.78 | 0.00 | 39.04 | 25.04 | 0.26 | 33.41 | 22.21 | 0.24 | 26.94 | 19.14 | 0.24 | 19.95 | 15.94 | 0.25 |
| | 62 | 35.48 | 28.53 | 0.23 | 30.38 | 25.64 | 0.23 | 24.69 | 22.63 | 0.23 | 19.19 | 19.19 | 0.22 | 16.06 | 16.06 | 0.34 |
| 1000 | 72 | 63.77 | 31.71 | 0.00 | 58.72 | 28.91 | 0.00 | 51.92 | 25.71 | 0.00 | 44.24 | 22.41 | 0.40 | 35.93 | 18.98 | 0.33 |
| | 67 | 53.32 | 33.42 | 0.00 | 47.11 | 30.27 | 0.32 | 40.41 | 26.97 | 0.30 | 32.70 | 23.39 | 0.29 | 24.16 | 19.54 | 0.30 |
| | 62 | 42.86 | 34.67 | 0.28 | 37.04 | 31.43 | 0.28 | 30.01 | 27.86 | 0.28 | 24.41 | 24.41 | 0.25 | 20.46 | 20.46 | 0.36 |
| 1250 | 72 | 73.25 | 36.12 | 0.00 | 67.27 | 32.96 | 0.00 | 59.56 | 29.45 | 0.00 | 50.56 | 25.72 | 0.40 | 41.33 | 21.88 | 0.37 |
| | 67 | 61.07 | 38.36 | 0.43 | 54.13 | 34.88 | 0.36 | 46.49 | 31.18 | 0.34 | 37.64 | 27.15 | 0.33 | 27.91 | 22.82 | 0.33 |
| | 62 | 49.17 | 40.08 | 0.32 | 42.51 | 36.40 | 0.32 | 34.41 | 32.35 | 0.32 | 28.63 | 28.63 | 0.29 | 24.08 | 24.08 | 0.40 |
| SIZE3017 | | | | | | | | | | | | | | | | |
| INDOOR COIL AIR | | SATURATED TEMPERATURE LEAVING EVAPORATOR (deg F) | | | | | | | | | | | | | | |
| | | 35 | | | 40 | | | 45 | | | 50 | | | 55 | | |
| CFM | EWB | TC | SHC | BF | TC | SHC | BF | TC | SHC | BF | TC | SHC | BF | TC | SHC | BF |
| SIZE3017 | | | | | | | | | | | | | | | | |
| 750 | 72 | 51.80 | 25.47 | 0.00 | 47.54 | 23.29 | 0.00 | 42.33 | 20.89 | 0.00 | 36.35 | 18.30 | 0.29 | 29.45 | 15.52 | 0.23 |
| | 67 | 43.15 | 26.92 | 0.27 | 38.40 | 24.54 | 0.22 | 33.12 | 21.97 | 0.20 | 27.02 | 19.14 | 0.20 | 20.30 | 16.13 | 0.21 |
| | 62 | 34.82 | 28.00 | 0.19 | 30.31 | 25.52 | 0.19 | 24.75 | 22.68 | 0.19 | 19.89 | 19.89 | 0.17 | 16.55 | 16.54 | 0.30 |
| 1000 | 72 | 61.05 | 30.06 | 0.00 | 56.49 | 27.60 | 0.00 | 50.50 | 24.91 | 0.00 | 43.54 | 22.00 | 0.33 | 35.79 | 18.88 | 0.28 |
| | 67 | 51.33 | 32.22 | 0.30 | 45.85 | 29.51 | 0.27 | 39.74 | 26.60 | 0.26 | 32.61 | 23.39 | 0.25 | 24.66 | 19.94 | 0.25 |
| | 62 | 41.66 | 33.93 | 0.24 | 36.34 | 31.07 | 0.24 | 29.79 | 27.83 | 0.24 | 24.67 | 24.67 | 0.22 | 20.89 | 20.89 | 0.34 |
| 1250 | 72 | 69.22 | 33.80 | 0.00 | 63.60 | 31.00 | 0.00 | 57.02 | 28.21 | 0.00 | 49.37 | 25.04 | 0.36 | 40.79 | 21.64 | 0.32 |
| | 67 | 57.83 | 36.56 | 0.33 | 51.79 | 33.60 | 0.31 | 45.04 | 30.45 | 0.30 | 37.11 | 26.97 | 0.29 | 28.03 | 23.04 | 0.29 |
| | 62 | 47.01 | 38.84 | 0.28 | 41.23 | 35.82 | 0.28 | 34.00 | 32.36 | 0.27 | 28.81 | 28.81 | 0.27 | 24.61 | 24.61 | 0.37 |
| SIZE3117 | | | | | | | | | | | | | | | | |
| INDOOR COIL AIR | | SATURATED TEMPERATURE LEAVING EVAPORATOR (deg F) | | | | | | | | | | | | | | |
| | | 35 | | | 40 | | | 45 | | | 50 | | | 55 | | |
| CFM | EWB | TC | SHC | BF | TC | SHC | BF | TC | SHC | BF | TC | SHC | BF | TC | SHC | BF |
| SIZE3117 | | | | | | | | | | | | | | | | |
| 750 | 72 | 52.04 | 26.02 | 0.00 | 47.61 | 23.67 | 0.00 | 42.22 | 21.06 | 0.00 | 36.22 | 18.37 | 0.31 | 29.52 | 15.57 | 0.19 |
| | 67 | 43.06 | 27.04 | 0.00 | 38.19 | 24.47 | 0.18 | 32.82 | 21.84 | 0.15 | 26.74 | 18.97 | 0.15 | 20.12 | 16.01 | 0.15 |
| | 62 | 34.54 | 27.78 | 0.14 | 29.97 | 25.24 | 0.14 | 24.41 | 22.33 | 0.14 | 18.78 | 18.78 | 0.13 | 15.80 | 15.80 | 0.26 |
| 1000 | 72 | 62.29 | 31.10 | 0.00 | 57.83 | 28.60 | 0.00 | 51.56 | 25.66 | 0.00 | 44.36 | 22.50 | 0.33 | 36.32 | 19.23 | 0.23 |
| | 67 | 52.49 | 33.03 | 0.30 | 46.60 | 29.98 | 0.23 | 40.23 | 26.93 | 0.20 | 32.89 | 23.56 | 0.19 | 24.84 | 20.02 | 0.19 |
| | 62 | 42.30 | 34.34 | 0.18 | 36.71 | 31.24 | 0.18 | 30.05 | 27.86 | 0.18 | 24.26 | 24.26 | 0.15 | 20.49 | 20.49 | 0.28 |
| 1250 | 72 | 71.92 | 35.61 | 0.00 | 66.44 | 32.75 | 0.00 | 59.38 | 29.53 | 0.00 | 51.20 | 26.01 | 0.35 | 42.06 | 22.35 | 0.27 |
| | 67 | 60.24 | 38.05 | 0.31 | 53.68 | 34.72 | 0.26 | 46.43 | 31.29 | 0.24 | 38.10 | 27.54 | 0.23 | 28.92 | 23.57 | 0.22 |
| | 62 | 48.64 | 39.87 | 0.22 | 42.38 | 36.49 | 0.22 | 34.74 | 32.70 | 0.21 | 28.78 | 28.78 | 0.19 | 24.42 | 24.42 | 0.31 |

Table 4 – Cooling Capacities (MBH) – R-454B (Continued)

| INDOOR COIL AIR | | SATURATED TEMPERATURE LEAVING EVAPORATOR (deg F) | | | | | | | | | | | | | | |
|-----------------|-----|--|-------|------|-------|-------|------|-------|-------|------|-------|-------|------|-------|-------|------|
| | | 35 | | | 40 | | | 45 | | | 50 | | | 55 | | |
| CFM | EWB | TC | SHC | BF | TC | SHC | BF | TC | SHC | BF | TC | SHC | BF | TC | SHC | BF |
| SIZE3617 | | | | | | | | | | | | | | | | |
| 900 | 72 | 63.59 | 31.40 | 0.00 | 58.07 | 28.55 | 0.00 | 51.34 | 25.37 | 0.00 | 43.91 | 22.13 | 0.37 | 35.70 | 18.77 | 0.27 |
| | 67 | 52.65 | 32.87 | 0.00 | 46.50 | 29.71 | 0.26 | 39.95 | 26.51 | 0.24 | 32.45 | 23.03 | 0.23 | 24.29 | 19.40 | 0.23 |
| | 62 | 42.27 | 33.95 | 0.22 | 36.52 | 30.74 | 0.22 | 29.68 | 27.25 | 0.22 | 23.68 | 23.68 | 0.19 | 19.95 | 19.95 | 0.32 |
| 1200 | 72 | 75.07 | 36.98 | 0.00 | 69.27 | 33.86 | 0.00 | 61.53 | 30.33 | 0.00 | 52.72 | 26.57 | 0.40 | 42.67 | 22.59 | 0.31 |
| | 67 | 62.84 | 39.30 | 0.40 | 55.73 | 35.76 | 0.31 | 48.01 | 32.04 | 0.29 | 39.11 | 28.01 | 0.28 | 29.21 | 23.66 | 0.28 |
| | 62 | 50.60 | 41.03 | 0.27 | 43.93 | 37.43 | 0.27 | 35.83 | 33.40 | 0.27 | 29.58 | 29.58 | 0.24 | 24.98 | 24.98 | 0.35 |
| 1500 | 72 | 85.66 | 41.83 | 0.00 | 78.70 | 38.35 | 0.00 | 70.07 | 34.52 | 0.00 | 60.10 | 30.33 | 0.42 | 49.24 | 26.05 | 0.36 |
| | 67 | 71.25 | 44.79 | 0.39 | 63.32 | 41.02 | 0.34 | 54.87 | 36.89 | 0.33 | 44.71 | 32.37 | 0.32 | 33.51 | 27.52 | 0.32 |
| | 62 | 57.64 | 47.24 | 0.31 | 49.81 | 43.16 | 0.31 | 40.84 | 38.67 | 0.31 | 34.51 | 34.51 | 0.29 | 29.27 | 29.27 | 0.39 |
| SIZE3621 | | | | | | | | | | | | | | | | |
| INDOOR COIL AIR | | SATURATED TEMPERATURE LEAVING EVAPORATOR (deg F) | | | | | | | | | | | | | | |
| | | 35 | | | 40 | | | 45 | | | 50 | | | 55 | | |
| CFM | EWB | TC | SHC | BF | TC | SHC | BF | TC | SHC | BF | TC | SHC | BF | TC | SHC | BF |
| SIZE3621 | | | | | | | | | | | | | | | | |
| 900 | 72 | 63.59 | 31.40 | 0.00 | 58.07 | 28.55 | 0.00 | 51.34 | 25.37 | 0.00 | 43.91 | 22.13 | 0.37 | 35.70 | 18.77 | 0.27 |
| | 67 | 52.65 | 32.87 | 0.00 | 46.50 | 29.71 | 0.26 | 39.95 | 26.51 | 0.24 | 32.45 | 23.03 | 0.23 | 24.29 | 19.40 | 0.23 |
| | 62 | 42.27 | 33.95 | 0.22 | 36.52 | 30.74 | 0.22 | 29.68 | 27.25 | 0.22 | 23.68 | 23.68 | 0.19 | 19.95 | 19.95 | 0.32 |
| 1200 | 72 | 75.07 | 36.98 | 0.00 | 69.27 | 33.86 | 0.00 | 61.53 | 30.33 | 0.00 | 52.72 | 26.57 | 0.40 | 42.67 | 22.59 | 0.31 |
| | 67 | 62.84 | 39.30 | 0.40 | 55.73 | 35.76 | 0.31 | 48.01 | 32.04 | 0.29 | 39.11 | 28.01 | 0.28 | 29.21 | 23.66 | 0.28 |
| | 62 | 50.60 | 41.03 | 0.27 | 43.93 | 37.43 | 0.27 | 35.83 | 33.40 | 0.27 | 29.58 | 29.58 | 0.24 | 24.98 | 24.98 | 0.35 |
| 1500 | 72 | 85.66 | 41.83 | 0.00 | 78.70 | 38.35 | 0.00 | 70.07 | 34.52 | 0.00 | 60.10 | 30.33 | 0.42 | 49.24 | 26.05 | 0.36 |
| | 67 | 71.25 | 44.79 | 0.39 | 63.32 | 41.02 | 0.34 | 54.87 | 36.89 | 0.33 | 44.71 | 32.37 | 0.32 | 33.51 | 27.52 | 0.32 |
| | 62 | 57.64 | 47.24 | 0.31 | 49.81 | 43.16 | 0.31 | 40.84 | 38.67 | 0.31 | 34.51 | 34.51 | 0.29 | 29.27 | 29.27 | 0.39 |
| SIZE3721 | | | | | | | | | | | | | | | | |
| INDOOR COIL AIR | | SATURATED TEMPERATURE LEAVING EVAPORATOR (deg F) | | | | | | | | | | | | | | |
| | | 35 | | | 40 | | | 45 | | | 50 | | | 55 | | |
| CFM | EWB | TC | SHC | BF | TC | SHC | BF | TC | SHC | BF | TC | SHC | BF | TC | SHC | BF |
| SIZE3721 | | | | | | | | | | | | | | | | |
| 900 | 72 | 62.73 | 30.95 | 0.00 | 57.37 | 28.20 | 0.00 | 51.00 | 25.22 | 0.00 | 43.72 | 22.02 | 0.34 | 35.63 | 18.70 | 0.24 |
| | 67 | 52.03 | 32.46 | 0.00 | 46.17 | 29.47 | 0.23 | 39.66 | 26.31 | 0.21 | 32.39 | 22.96 | 0.20 | 24.35 | 19.40 | 0.20 |
| | 62 | 41.84 | 33.59 | 0.19 | 36.30 | 30.56 | 0.19 | 29.58 | 27.12 | 0.19 | 23.46 | 23.42 | 0.17 | 19.76 | 19.76 | 0.29 |
| 1200 | 72 | 74.12 | 36.53 | 0.00 | 68.70 | 33.62 | 0.00 | 61.25 | 30.22 | 0.00 | 52.72 | 26.58 | 0.37 | 43.15 | 22.74 | 0.29 |
| | 67 | 62.36 | 39.04 | 0.34 | 55.46 | 35.58 | 0.28 | 47.90 | 32.01 | 0.26 | 39.17 | 28.08 | 0.25 | 29.58 | 23.93 | 0.24 |
| | 62 | 50.34 | 40.86 | 0.24 | 43.71 | 37.23 | 0.24 | 35.78 | 33.35 | 0.23 | 29.49 | 29.49 | 0.21 | 25.01 | 25.01 | 0.32 |
| 1500 | 72 | 83.38 | 40.94 | 0.00 | 77.83 | 37.97 | 0.00 | 69.56 | 34.30 | 0.00 | 60.07 | 30.36 | 0.39 | 49.37 | 26.13 | 0.33 |
| | 67 | 70.71 | 44.46 | 0.36 | 63.00 | 40.68 | 0.32 | 54.60 | 36.76 | 0.30 | 44.81 | 32.45 | 0.29 | 33.74 | 27.69 | 0.28 |
| | 62 | 57.16 | 46.91 | 0.28 | 49.90 | 43.09 | 0.28 | 40.87 | 38.71 | 0.27 | 34.55 | 34.55 | 0.26 | 29.45 | 29.45 | 0.36 |

Table 4 – Cooling Capacities (MBH) – R-454B (Continued)

| INDOOR COIL AIR | | SATURATED TEMPERATURE LEAVING EVAPORATOR (deg F) | | | | | | | | | | | | | | |
|-----------------|-----|--|-------|------|-------|-------|------|-------|-------|------|-------|-------|------|-------|-------|------|
| | | 35 | | | 40 | | | 45 | | | 50 | | | 55 | | |
| CFM | EWB | TC | SHC | BF | TC | SHC | BF | TC | SHC | BF | TC | SHC | BF | TC | SHC | BF |
| SIZE3817 | | | | | | | | | | | | | | | | |
| 900 | 72 | 60.47 | 29.96 | 0.00 | 55.64 | 27.53 | 0.00 | 49.77 | 24.84 | 0.00 | 43.04 | 21.92 | 0.29 | 35.19 | 18.82 | 0.18 |
| | 67 | 50.49 | 31.48 | 0.25 | 45.12 | 28.74 | 0.19 | 39.05 | 25.86 | 0.16 | 32.16 | 22.77 | 0.15 | 24.63 | 19.52 | 0.15 |
| | 62 | 40.91 | 32.59 | 0.14 | 35.70 | 29.76 | 0.14 | 29.51 | 26.68 | 0.14 | 23.44 | 23.44 | 0.13 | 20.00 | 20.00 | 0.25 |
| 1200 | 72 | 72.23 | 35.77 | 0.00 | 67.03 | 33.14 | 0.00 | 60.22 | 30.11 | 0.00 | 52.33 | 26.79 | 0.31 | 43.00 | 23.19 | 0.23 |
| | 67 | 60.88 | 38.21 | 0.26 | 54.64 | 35.11 | 0.23 | 47.53 | 31.84 | 0.20 | 39.40 | 28.27 | 0.19 | 30.37 | 24.48 | 0.19 |
| | 62 | 49.57 | 39.99 | 0.19 | 43.50 | 36.83 | 0.18 | 36.03 | 33.19 | 0.18 | 29.87 | 29.87 | 0.16 | 25.71 | 25.71 | 0.28 |
| 1500 | 72 | 82.19 | 40.55 | 0.00 | 76.35 | 37.75 | 0.00 | 68.75 | 34.49 | 0.00 | 59.99 | 30.91 | 0.33 | 49.94 | 27.02 | 0.27 |
| | 67 | 69.32 | 43.80 | 0.29 | 62.40 | 40.49 | 0.26 | 54.55 | 36.96 | 0.24 | 45.35 | 33.01 | 0.23 | 35.08 | 28.74 | 0.22 |
| | 62 | 56.70 | 46.40 | 0.22 | 49.69 | 42.89 | 0.22 | 41.57 | 38.98 | 0.21 | 35.30 | 35.30 | 0.21 | 30.57 | 30.57 | 0.32 |
| SIZE4217 | | | | | | | | | | | | | | | | |
| INDOOR COIL AIR | | SATURATED TEMPERATURE LEAVING EVAPORATOR (deg F) | | | | | | | | | | | | | | |
| | | 35 | | | 40 | | | 45 | | | 50 | | | 55 | | |
| CFM | EWB | TC | SHC | BF | TC | SHC | BF | TC | SHC | BF | TC | SHC | BF | TC | SHC | BF |
| SIZE4217 | | | | | | | | | | | | | | | | |
| 1050 | 72 | 72.79 | 35.96 | 0.00 | 66.44 | 32.76 | 0.00 | 59.05 | 29.40 | 0.00 | 50.63 | 25.77 | 0.00 | 41.46 | 22.12 | 0.28 |
| | 67 | 60.41 | 37.50 | 0.00 | 53.60 | 34.10 | 0.28 | 46.16 | 30.56 | 0.25 | 37.81 | 26.81 | 0.24 | 28.68 | 22.84 | 0.24 |
| | 62 | 48.71 | 38.67 | 0.23 | 42.37 | 35.27 | 0.23 | 34.73 | 31.47 | 0.23 | 28.35 | 28.35 | 0.19 | 24.01 | 24.01 | 0.32 |
| 1400 | 72 | 86.06 | 42.51 | 0.00 | 79.51 | 39.10 | 0.00 | 70.83 | 35.27 | 0.00 | 60.99 | 31.14 | 0.43 | 49.69 | 26.79 | 0.33 |
| | 67 | 72.17 | 45.01 | 0.00 | 64.32 | 41.15 | 0.33 | 55.65 | 37.14 | 0.30 | 45.68 | 32.74 | 0.29 | 34.68 | 28.05 | 0.29 |
| | 62 | 58.57 | 46.95 | 0.29 | 50.97 | 42.87 | 0.29 | 41.75 | 38.42 | 0.28 | 35.17 | 35.17 | 0.25 | 30.02 | 30.02 | 0.36 |
| 1750 | 72 | 98.49 | 48.34 | 0.00 | 90.70 | 44.60 | 0.00 | 80.88 | 40.34 | 0.00 | 69.84 | 35.84 | 0.44 | 57.10 | 31.01 | 0.36 |
| | 67 | 82.43 | 51.65 | 0.43 | 73.46 | 47.33 | 0.37 | 63.70 | 42.84 | 0.35 | 52.32 | 37.94 | 0.33 | 39.95 | 32.77 | 0.33 |
| | 62 | 66.86 | 54.17 | 0.33 | 58.11 | 49.74 | 0.32 | 48.08 | 44.89 | 0.32 | 41.11 | 41.11 | 0.30 | 35.30 | 35.30 | 0.40 |
| SIZE4221 | | | | | | | | | | | | | | | | |
| INDOOR COIL AIR | | SATURATED TEMPERATURE LEAVING EVAPORATOR (deg F) | | | | | | | | | | | | | | |
| | | 35 | | | 40 | | | 45 | | | 50 | | | 55 | | |
| CFM | EWB | TC | SHC | BF | TC | SHC | BF | TC | SHC | BF | TC | SHC | BF | TC | SHC | BF |
| SIZE4221 | | | | | | | | | | | | | | | | |
| 1050 | 72 | 73.11 | 36.08 | 0.00 | 66.78 | 32.92 | 0.00 | 59.21 | 29.44 | 0.00 | 50.72 | 25.82 | 0.00 | 41.50 | 22.15 | 0.30 |
| | 67 | 60.66 | 37.64 | 0.00 | 53.71 | 34.17 | 0.30 | 46.27 | 30.62 | 0.27 | 37.85 | 26.84 | 0.26 | 28.70 | 22.89 | 0.26 |
| | 62 | 48.94 | 38.84 | 0.25 | 42.49 | 35.36 | 0.25 | 34.73 | 31.48 | 0.24 | 28.52 | 28.52 | 0.21 | 24.08 | 24.08 | 0.33 |
| 1400 | 72 | 86.32 | 42.59 | 0.00 | 79.81 | 39.25 | 0.00 | 71.04 | 35.35 | 0.00 | 60.94 | 31.12 | 0.45 | 49.64 | 26.77 | 0.34 |
| | 67 | 72.47 | 45.18 | 0.00 | 64.54 | 41.29 | 0.35 | 55.77 | 37.20 | 0.32 | 45.63 | 32.71 | 0.31 | 34.60 | 28.00 | 0.31 |
| | 62 | 58.71 | 47.06 | 0.30 | 51.10 | 42.97 | 0.30 | 41.87 | 38.53 | 0.29 | 35.24 | 35.24 | 0.27 | 30.07 | 30.07 | 0.38 |
| 1750 | 72 | 98.63 | 48.40 | 0.00 | 90.88 | 44.64 | 0.00 | 81.04 | 40.41 | 0.00 | 69.76 | 35.80 | 0.46 | 56.84 | 30.91 | 0.38 |
| | 67 | 82.58 | 51.72 | 0.44 | 73.67 | 47.44 | 0.38 | 63.83 | 42.91 | 0.36 | 52.42 | 38.01 | 0.35 | 39.81 | 32.68 | 0.34 |
| | 62 | 67.10 | 54.33 | 0.34 | 58.23 | 49.85 | 0.33 | 48.08 | 44.87 | 0.33 | 41.09 | 41.09 | 0.32 | 35.22 | 35.22 | 0.42 |

Table 4 – Cooling Capacities (MBH) – R-454B (Continued)

| INDOOR COIL AIR | | SATURATED TEMPERATURE LEAVING EVAPORATOR (deg F) | | | | | | | | | | | | | | |
|-----------------|-----|--|-------|------|--------|-------|------|-------|-------|------|-------|-------|------|-------|-------|------|
| | | 35 | | | 40 | | | 45 | | | 50 | | | 55 | | |
| CFM | EWB | TC | SHC | BF | TC | SHC | BF | TC | SHC | BF | TC | SHC | BF | TC | SHC | BF |
| SIZE4224 | | | | | | | | | | | | | | | | |
| 1050 | 72 | 71.46 | 35.31 | 0.00 | 65.56 | 32.37 | 0.00 | 58.52 | 29.15 | 0.00 | 50.47 | 25.67 | 0.00 | 41.15 | 22.01 | 0.22 |
| | 67 | 59.50 | 37.02 | 0.00 | 53.05 | 33.74 | 0.23 | 45.82 | 30.32 | 0.20 | 37.66 | 26.68 | 0.18 | 28.79 | 22.87 | 0.18 |
| | 62 | 48.10 | 38.24 | 0.18 | 41.88 | 34.88 | 0.18 | 34.54 | 31.28 | 0.17 | 28.03 | 28.03 | 0.14 | 23.80 | 23.80 | 0.27 |
| 1400 | 72 | 85.21 | 42.02 | 0.00 | 78.79 | 38.82 | 0.00 | 70.52 | 35.16 | 0.00 | 61.10 | 31.22 | 0.37 | 50.46 | 27.03 | 0.28 |
| | 67 | 71.50 | 44.69 | 0.34 | 63.99 | 40.99 | 0.27 | 55.53 | 37.10 | 0.25 | 45.82 | 32.87 | 0.23 | 35.12 | 28.35 | 0.23 |
| | 62 | 58.07 | 46.71 | 0.23 | 50.83 | 42.93 | 0.22 | 42.00 | 38.69 | 0.22 | 35.05 | 35.05 | 0.20 | 30.11 | 30.11 | 0.31 |
| 1750 | 72 | 96.97 | 47.60 | 0.00 | 89.61 | 44.16 | 0.00 | 80.36 | 40.17 | 0.00 | 69.88 | 35.90 | 0.38 | 57.93 | 31.28 | 0.32 |
| | 67 | 81.38 | 51.18 | 0.35 | 72.90 | 47.07 | 0.31 | 63.54 | 42.89 | 0.29 | 52.61 | 38.23 | 0.27 | 40.41 | 33.13 | 0.27 |
| | 62 | 66.25 | 53.97 | 0.27 | 57.83 | 49.77 | 0.26 | 48.11 | 45.08 | 0.26 | 41.11 | 41.11 | 0.24 | 35.54 | 35.54 | 0.35 |
| SIZE4821 | | | | | | | | | | | | | | | | |
| INDOOR COIL AIR | | SATURATED TEMPERATURE LEAVING EVAPORATOR (deg F) | | | | | | | | | | | | | | |
| | | 35 | | | 40 | | | 45 | | | 50 | | | 55 | | |
| CFM | EWB | TC | SHC | BF | TC | SHC | BF | TC | SHC | BF | TC | SHC | BF | TC | SHC | BF |
| 1200 | 72 | 82.67 | 40.54 | 0.00 | 75.74 | 37.12 | 0.00 | 67.32 | 33.31 | 0.00 | 58.01 | 29.40 | 0.00 | 47.62 | 25.30 | 0.29 |
| | 67 | 68.76 | 42.55 | 0.00 | 61.07 | 38.72 | 0.29 | 52.81 | 34.90 | 0.26 | 43.36 | 30.72 | 0.25 | 33.06 | 26.35 | 0.24 |
| | 62 | 55.61 | 44.11 | 0.24 | 48.35 | 40.20 | 0.24 | 39.74 | 36.06 | 0.23 | 32.85 | 32.85 | 0.20 | 27.90 | 27.90 | 0.32 |
| 1600 | 72 | 97.33 | 47.62 | 0.00 | 89.94 | 44.01 | 0.00 | 80.33 | 39.82 | 0.00 | 69.32 | 35.28 | 0.43 | 56.68 | 30.51 | 0.33 |
| | 67 | 81.71 | 50.84 | 0.40 | 72.87 | 46.55 | 0.34 | 63.17 | 42.12 | 0.31 | 52.06 | 37.34 | 0.30 | 39.65 | 32.12 | 0.30 |
| | 62 | 66.23 | 53.17 | 0.30 | 57.94 | 48.90 | 0.29 | 47.73 | 44.04 | 0.28 | 40.48 | 40.48 | 0.26 | 34.78 | 34.78 | 0.37 |
| 2000 | 72 | 108.45 | 53.22 | 0.00 | 101.80 | 49.86 | 0.00 | 91.24 | 45.39 | 0.00 | 78.98 | 40.45 | 0.44 | 64.63 | 35.14 | 0.37 |
| | 67 | 92.47 | 57.91 | 0.42 | 82.85 | 53.41 | 0.37 | 72.12 | 48.59 | 0.35 | 59.46 | 43.27 | 0.34 | 45.44 | 37.42 | 0.33 |
| | 62 | 75.32 | 61.27 | 0.33 | 65.55 | 56.42 | 0.33 | 54.43 | 51.17 | 0.32 | 47.10 | 47.10 | 0.31 | 40.65 | 40.65 | 0.41 |
| SIZE4824 | | | | | | | | | | | | | | | | |
| INDOOR COIL AIR | | SATURATED TEMPERATURE LEAVING EVAPORATOR (deg F) | | | | | | | | | | | | | | |
| | | 35 | | | 40 | | | 45 | | | 50 | | | 55 | | |
| CFM | EWB | TC | SHC | BF | TC | SHC | BF | TC | SHC | BF | TC | SHC | BF | TC | SHC | BF |
| 1200 | 72 | 82.41 | 40.38 | 0.00 | 75.57 | 37.03 | 0.00 | 67.27 | 33.28 | 0.00 | 57.99 | 29.38 | 0.40 | 47.65 | 25.31 | 0.28 |
| | 67 | 68.61 | 42.46 | 0.00 | 60.96 | 38.66 | 0.28 | 52.77 | 34.87 | 0.25 | 43.37 | 30.72 | 0.24 | 33.12 | 26.38 | 0.24 |
| | 62 | 55.52 | 44.06 | 0.23 | 48.30 | 40.17 | 0.23 | 39.74 | 36.06 | 0.23 | 32.87 | 32.87 | 0.20 | 27.93 | 27.93 | 0.32 |
| 1600 | 72 | 96.99 | 47.43 | 0.00 | 89.65 | 43.86 | 0.00 | 80.16 | 39.74 | 0.00 | 69.25 | 35.25 | 0.42 | 57.17 | 30.61 | 0.33 |
| | 67 | 81.43 | 50.67 | 0.39 | 72.71 | 46.47 | 0.33 | 63.12 | 42.10 | 0.31 | 52.04 | 37.34 | 0.29 | 39.71 | 32.17 | 0.29 |
| | 62 | 66.07 | 53.09 | 0.29 | 57.85 | 48.87 | 0.28 | 47.76 | 44.10 | 0.28 | 40.50 | 40.50 | 0.26 | 34.83 | 34.83 | 0.36 |
| 2000 | 72 | 109.82 | 53.52 | 0.00 | 101.38 | 49.64 | 0.00 | 90.95 | 45.27 | 0.00 | 78.86 | 40.40 | 0.43 | 64.63 | 35.15 | 0.36 |
| | 67 | 92.12 | 57.75 | 0.40 | 82.58 | 53.28 | 0.36 | 71.96 | 48.54 | 0.34 | 59.43 | 43.26 | 0.33 | 45.47 | 37.47 | 0.33 |
| | 62 | 75.09 | 61.17 | 0.33 | 65.84 | 56.39 | 0.32 | 54.30 | 51.08 | 0.32 | 47.15 | 47.15 | 0.31 | 40.74 | 40.74 | 0.40 |

Table 4 – Cooling Capacities (MBH) – R-454B (Continued)

| INDOOR COIL AIR | | SATURATED TEMPERATURE LEAVING EVAPORATOR (deg F) | | | | | | | | | | | | | | |
|-----------------|-----|--|-------|------|--------|-------|------|--------|-------|------|-------|-------|------|-------|-------|------|
| | | 35 | | | 40 | | | 45 | | | 50 | | | 55 | | |
| CFM | EWB | TC | SHC | BF | TC | SHC | BF | TC | SHC | BF | TC | SHC | BF | TC | SHC | BF |
| SIZE4924 | | | | | | | | | | | | | | | | |
| 1200 | 72 | 83.25 | 40.55 | 0.00 | 76.32 | 37.12 | 0.00 | 68.07 | 33.36 | 0.00 | 58.59 | 29.28 | 0.36 | 47.56 | 24.93 | 0.24 |
| | 67 | 69.15 | 42.90 | 0.33 | 61.57 | 39.06 | 0.25 | 53.06 | 35.04 | 0.22 | 43.42 | 30.73 | 0.21 | 32.88 | 26.22 | 0.20 |
| | 62 | 55.65 | 44.61 | 0.20 | 48.39 | 40.73 | 0.20 | 39.52 | 36.31 | 0.19 | 32.28 | 32.28 | 0.17 | 27.26 | 27.26 | 0.29 |
| 1600 | 72 | 97.95 | 47.46 | 0.00 | 90.55 | 43.85 | 0.00 | 80.92 | 39.61 | 0.00 | 69.97 | 35.05 | 0.37 | 57.53 | 30.16 | 0.30 |
| | 67 | 81.94 | 51.07 | 0.34 | 73.20 | 46.77 | 0.30 | 63.40 | 42.30 | 0.27 | 52.00 | 37.33 | 0.25 | 39.51 | 32.08 | 0.25 |
| | 62 | 66.28 | 53.88 | 0.25 | 57.49 | 49.40 | 0.24 | 47.48 | 44.51 | 0.24 | 39.82 | 39.82 | 0.22 | 34.01 | 34.01 | 0.33 |
| 2000 | 72 | 110.25 | 53.08 | 0.00 | 101.85 | 49.25 | 0.00 | 91.25 | 44.71 | 0.00 | 79.13 | 39.79 | 0.39 | 65.28 | 34.45 | 0.34 |
| | 67 | 92.29 | 57.90 | 0.36 | 82.52 | 53.19 | 0.33 | 71.70 | 48.35 | 0.31 | 59.08 | 43.00 | 0.29 | 44.73 | 36.98 | 0.29 |
| | 62 | 74.67 | 61.58 | 0.29 | 65.41 | 56.85 | 0.29 | 53.84 | 51.49 | 0.28 | 46.25 | 46.25 | 0.28 | 39.70 | 39.70 | 0.37 |
| SIZE6021 | | | | | | | | | | | | | | | | |
| 1500 | 72 | 101.92 | 49.41 | 0.00 | 93.76 | 45.55 | 0.00 | 83.84 | 41.17 | 0.00 | 72.57 | 36.50 | 0.38 | 59.94 | 31.62 | 0.28 |
| | 67 | 85.02 | 52.33 | 0.36 | 75.94 | 47.89 | 0.27 | 65.87 | 43.34 | 0.24 | 54.33 | 38.41 | 0.22 | 41.68 | 33.18 | 0.22 |
| | 62 | 68.91 | 54.60 | 0.22 | 59.95 | 50.06 | 0.21 | 49.76 | 45.15 | 0.21 | 41.44 | 41.44 | 0.19 | 35.55 | 35.55 | 0.31 |
| 2000 | 72 | 119.53 | 57.76 | 0.00 | 110.62 | 53.73 | 0.00 | 99.33 | 48.97 | 0.00 | 86.33 | 43.73 | 0.39 | 71.52 | 38.11 | 0.32 |
| | 67 | 100.45 | 62.33 | 0.36 | 90.11 | 57.43 | 0.32 | 78.46 | 52.28 | 0.29 | 64.93 | 46.66 | 0.27 | 49.82 | 40.45 | 0.27 |
| | 62 | 81.61 | 65.67 | 0.28 | 71.66 | 60.72 | 0.27 | 59.37 | 55.07 | 0.26 | 50.97 | 50.97 | 0.25 | 44.14 | 44.14 | 0.35 |
| 2500 | 72 | 134.34 | 64.86 | 0.00 | 124.47 | 60.63 | 0.00 | 111.98 | 55.52 | 0.00 | 97.67 | 49.91 | 0.41 | 81.31 | 43.81 | 0.36 |
| | 67 | 112.88 | 70.78 | 0.38 | 101.58 | 65.50 | 0.35 | 88.79 | 60.01 | 0.33 | 73.69 | 53.89 | 0.31 | 57.13 | 47.26 | 0.31 |
| | 62 | 92.13 | 75.35 | 0.32 | 80.57 | 69.93 | 0.30 | 67.60 | 64.00 | 0.30 | 59.86 | 59.86 | 0.30 | 51.60 | 51.60 | 0.39 |
| SIZE6024 | | | | | | | | | | | | | | | | |
| 1500 | 72 | 102.60 | 49.77 | 0.00 | 94.22 | 45.78 | 0.00 | 84.03 | 41.28 | 0.00 | 72.70 | 36.61 | 0.41 | 59.91 | 31.63 | 0.30 |
| | 67 | 85.35 | 52.54 | 0.40 | 76.23 | 48.08 | 0.29 | 66.03 | 43.46 | 0.26 | 54.35 | 38.43 | 0.24 | 41.57 | 33.11 | 0.24 |
| | 62 | 69.20 | 54.79 | 0.24 | 60.40 | 50.21 | 0.24 | 49.85 | 45.25 | 0.23 | 41.58 | 41.58 | 0.20 | 35.56 | 35.56 | 0.32 |
| 2000 | 72 | 120.13 | 58.06 | 0.00 | 111.18 | 54.01 | 0.00 | 99.62 | 49.09 | 0.00 | 86.35 | 43.74 | 0.42 | 71.44 | 38.10 | 0.34 |
| | 67 | 100.96 | 62.59 | 0.39 | 90.34 | 57.52 | 0.34 | 78.48 | 52.26 | 0.31 | 64.92 | 46.63 | 0.29 | 49.67 | 40.37 | 0.29 |
| | 62 | 81.90 | 65.81 | 0.30 | 71.84 | 60.76 | 0.29 | 59.49 | 55.12 | 0.28 | 50.96 | 50.96 | 0.27 | 44.00 | 44.00 | 0.37 |
| 2500 | 72 | 135.32 | 65.35 | 0.00 | 125.19 | 60.95 | 0.00 | 112.50 | 55.74 | 0.00 | 97.88 | 49.99 | 0.43 | 81.19 | 43.77 | 0.38 |
| | 67 | 113.62 | 71.13 | 0.40 | 102.09 | 65.74 | 0.37 | 89.06 | 60.10 | 0.35 | 73.77 | 53.89 | 0.33 | 57.04 | 47.19 | 0.32 |
| | 62 | 92.61 | 75.57 | 0.33 | 80.84 | 70.07 | 0.32 | 67.76 | 64.04 | 0.32 | 59.14 | 59.14 | 0.32 | 51.35 | 51.35 | 0.41 |

Table 4 – Cooling Capacities (MBH) – R-454B (Continued)

| INDOOR COIL AIR | | SATURATED TEMPERATURE LEAVING EVAPORATOR (deg F) | | | | | | | | | | | | | | |
|-----------------|-----|--|-------|------|--------|-------|------|--------|-------|------|-------|-------|------|-------|-------|------|
| | | 35 | | | 40 | | | 45 | | | 50 | | | 55 | | |
| CFM | EWB | TC | SHC | BF | TC | SHC | BF | TC | SHC | BF | TC | SHC | BF | TC | SHC | BF |
| SIZE6121 | | | | | | | | | | | | | | | | |
| 1500 | 72 | 103.06 | 49.53 | 0.00 | 94.76 | 45.59 | 0.00 | 84.80 | 41.18 | 0.00 | 73.38 | 36.37 | 0.33 | 59.90 | 31.15 | 0.24 |
| | 67 | 85.67 | 52.79 | 0.29 | 76.67 | 48.36 | 0.24 | 66.36 | 43.58 | 0.21 | 54.42 | 38.44 | 0.19 | 41.40 | 32.98 | 0.19 |
| | 62 | 69.16 | 55.35 | 0.19 | 60.01 | 50.65 | 0.18 | 49.63 | 45.61 | 0.18 | 40.90 | 40.90 | 0.16 | 34.84 | 34.84 | 0.28 |
| 2000 | 72 | 120.52 | 57.59 | 0.00 | 111.65 | 53.60 | 0.00 | 100.15 | 48.68 | 0.00 | 87.04 | 43.36 | 0.35 | 71.33 | 37.42 | 0.28 |
| | 67 | 100.92 | 62.70 | 0.31 | 90.57 | 57.74 | 0.28 | 78.70 | 52.44 | 0.26 | 64.85 | 46.63 | 0.24 | 49.44 | 40.29 | 0.23 |
| | 62 | 81.71 | 66.56 | 0.24 | 71.22 | 61.44 | 0.23 | 58.99 | 55.63 | 0.23 | 50.71 | 50.71 | 0.22 | 43.27 | 43.27 | 0.33 |
| 2500 | 72 | 134.87 | 64.31 | 0.00 | 124.88 | 60.00 | 0.00 | 112.29 | 54.77 | 0.00 | 97.83 | 49.03 | 0.37 | 80.43 | 42.64 | 0.32 |
| | 67 | 112.96 | 70.85 | 0.34 | 101.53 | 65.51 | 0.32 | 88.41 | 59.76 | 0.30 | 73.15 | 53.56 | 0.28 | 55.95 | 46.55 | 0.27 |
| | 62 | 91.55 | 75.92 | 0.28 | 79.97 | 70.52 | 0.27 | 66.75 | 64.52 | 0.26 | 58.94 | 58.94 | 0.27 | 50.53 | 50.53 | 0.37 |
| SIZE6124 | | | | | | | | | | | | | | | | |
| INDOOR COIL AIR | | SATURATED TEMPERATURE LEAVING EVAPORATOR (deg F) | | | | | | | | | | | | | | |
| | | 35 | | | 40 | | | 45 | | | 50 | | | 55 | | |
| CFM | EWB | TC | SHC | BF | TC | SHC | BF | TC | SHC | BF | TC | SHC | BF | TC | SHC | BF |
| SIZE6124 | | | | | | | | | | | | | | | | |
| 1500 | 72 | 103.06 | 49.53 | 0.00 | 94.76 | 45.59 | 0.00 | 84.80 | 41.18 | 0.00 | 73.38 | 36.37 | 0.33 | 59.90 | 31.15 | 0.24 |
| | 67 | 85.67 | 52.79 | 0.29 | 76.67 | 48.36 | 0.24 | 66.36 | 43.58 | 0.21 | 54.42 | 38.44 | 0.19 | 41.40 | 32.98 | 0.19 |
| | 62 | 69.16 | 55.35 | 0.19 | 60.01 | 50.65 | 0.18 | 49.63 | 45.61 | 0.18 | 40.90 | 40.90 | 0.16 | 34.84 | 34.84 | 0.28 |
| 2000 | 72 | 120.52 | 57.59 | 0.00 | 111.65 | 53.60 | 0.00 | 100.15 | 48.68 | 0.00 | 87.04 | 43.36 | 0.35 | 71.33 | 37.42 | 0.28 |
| | 67 | 100.92 | 62.70 | 0.31 | 90.57 | 57.74 | 0.28 | 78.70 | 52.44 | 0.26 | 64.85 | 46.63 | 0.24 | 49.44 | 40.29 | 0.23 |
| | 62 | 81.71 | 66.56 | 0.24 | 71.22 | 61.44 | 0.23 | 58.99 | 55.63 | 0.23 | 50.71 | 50.71 | 0.22 | 43.27 | 43.27 | 0.33 |
| 2500 | 72 | 134.87 | 64.31 | 0.00 | 124.88 | 60.00 | 0.00 | 112.29 | 54.77 | 0.00 | 97.83 | 49.03 | 0.37 | 80.43 | 42.64 | 0.32 |
| | 67 | 112.96 | 70.85 | 0.34 | 101.53 | 65.51 | 0.32 | 88.41 | 59.76 | 0.30 | 73.15 | 53.56 | 0.28 | 55.95 | 46.55 | 0.27 |
| | 62 | 91.55 | 75.92 | 0.28 | 79.97 | 70.52 | 0.27 | 66.75 | 64.52 | 0.26 | 58.94 | 58.94 | 0.27 | 50.53 | 50.53 | 0.37 |

CFM - Cubic Ft. per Minute EWB - Entering Wet Bulb (°F) LWB - Leaving Wet Bulb (°F) TC - Gross Cooling Capacity 1000 Btuh
 SHC - Gross Sensible Capacity 1000 Btuh BF - Bypass Factor MBH - 1000 Btuh

COOLING CAPACITIES NOTES:

- Contact manufacturer for cooling capacities at conditions other than shown in table.
- Formulas:
 Leaving db = entering db - $\frac{\text{sensible heat cap.}}{1.09 \times \text{CFM}}$
 Leaving wb = wb corresponding to enthalpy of air leaving coil (h_{LWB})

$$h_{LWB} = h_{EWB} - \frac{\text{total capacity (Btuh)}}{4.5 \times \text{CFM}}$$
 Where h_{EWB} = enthalpy of air entering coil
- SHC is based on 80°F db temperature of air entering the evaporator coil.
 Below 80°F db, subtract (Correction Factor x CFM) from SHC.
 Above 80°F db, add (Correction Factor x CFM) to SHC.
- Direct interpolation is permissible. Do not extrapolate.
- Fan motor heat has not been deducted.
- All data points are based on approximately 10°F superheat measured at the suction service valve and use of thermostatic expansion valve (TXV) device.

Manufacturer reserves the right to change, at any time, specifications and designs without notice and without obligations.

7. Before using maximum cfm shown in table, check coil static pressure drop to ensure system blower can provide necessary static pressure needed for coil and duct systems.
8. Bypass Factor = 0 indicates no psychometric solution. Use bypass factor of next lower EWB for approximation.

| BYPASS FACTOR | ENTERING AIR DRY BULB TEMPERATURE (°F) | | | | | |
|-------------------|--|------|------|------|------|----------------------------|
| | 79 | 78 | 77 | 76 | 75 | Under 75 |
| | 81 | 82 | 83 | 84 | 84 | Above 85 |
| Correction Factor | | | | | | |
| 0.10 | 0.98 | 1.96 | 2.94 | 3.92 | 4.91 | Use formula shown below |
| 0.20 | 0.87 | 1.74 | 2.62 | 3.49 | 4.36 | |
| 0.30 | 0.76 | 1.53 | 2.29 | 3.05 | 3.82 | |

Interpolation is permissible.

$$\text{Correction Factor} = 1.09 \times (1 - \text{BF}) \times (\text{db} - 80)$$