

Electronic Air Cleaner 120-60-1 Power Supply Kit


Cancels: IIK 901K-12-5

IIK 908C-10-2
7-95

Installation Instructions Part No. L2-05814-1

NOTE: Read the entire instruction manual before starting the installation.

SAFETY CONSIDERATIONS

Recognize safety information. This is the safety-alert symbol . When you see this symbol on the unit and in instructions or manuals, be alert to the potential for personal injury.

Understand the signal words DANGER, WARNING, and CAUTION. These words are used with the safety-alert symbol. DANGER identifies the most serious hazards which **will** result in severe personal injury or death. WARNING signifies a hazard which **could** result in personal injury or death. CAUTION is used to identify unsafe practices which **would** result in minor personal injury or product and property damage.

WARNING

Before installing or servicing system, always turn off main power to system. There may be more than one disconnect switch. Turn off accessory heater power if applicable. Electrical shock can cause personal injury or death.

INTRODUCTION

This instruction covers the installation of power supply kit Part No. L2-05814-1 in an electronic air cleaner with a 120-60-1v power supply.

DESCRIPTION AND USAGE

The kit is designed to replace both current and previous design power supplies for return grille models only. See Step 2 for model 31RG, and Step 3 for models 31RX and 908C.

The kit contains the following items:

Power supply	1
Bus bar assembly (2-3/16 in., 4-13/16 in., and 8-1/2 in.)	1 each
Wire nut	4
Phillips-head sheet-metal screw	4
6-32 machine screw	2
Hex nut	1
Wire clip	1
Angle bracket	1
Installation Instructions	1

INSTALLATION

Step 1—Remove of Power Supply

1. Turn off main electrical supply to air cleaner and air handler.
2. Remove power door or power plate, whichever applies, from air cleaner. On models with a power door, it will be necessary to remove the inside of the door to expose the power supply.

3. Disconnect existing wires from existing power supply.
4. Remove existing power supply from power plate.

CAUTION

Use care when attaching wires or bus bar to the new power supply to avoid damaging terminals and/or printed-circuit board.

Step 2—Install of New Power Supply in Model 31RG

1. Turn off main electrical supply to air cleaner and air handler.
2. Remove cell(s) and power supply assembly.
3. Using 4 sheet-metal screws provided in kit, install new power supply.
4. Cut terminal ends off wires disconnected from removed power supply and strip 1/2 in. of insulation from wire. Splice wires to new power supply wires with wire nuts provided in kit. (See Fig. 1.)
5. Remove existing surge resistor, if applicable, and discard. Surge resistor is an integral part of the new power supply.
6. Install proper length bus bar.
7. Route wires so they will not contact high-voltage circuit and install wire clip.
8. Reinstall power supply and cell(s) in air cleaner.
9. Turn on the main electrical supply to air cleaner and air handler.
10. Check air cleaner for proper operation before leaving job site.

Step 3—Installation of New Power Supply in Models 31RX and 908C

1. Turn off main electrical supply to air cleaner and air handler.
2. Remove cell(s) and power supply assembly.
3. Using four sheet-metal screws provided in kit, install new power supply.
4. Remove wires from new power supply and discard. Retain red wire.
5. Connect existing wires and bus bar. (See Fig. 1)
6. Reinstall power supply and cell(s) in air cleaner.
7. Turn on main electrical supply to air cleaner and air handler.
8. Check air cleaner for proper operation before leaving the job site.

Manufacturer reserves the right to discontinue, or change at any time, specifications or designs without notice and without incurring obligations.

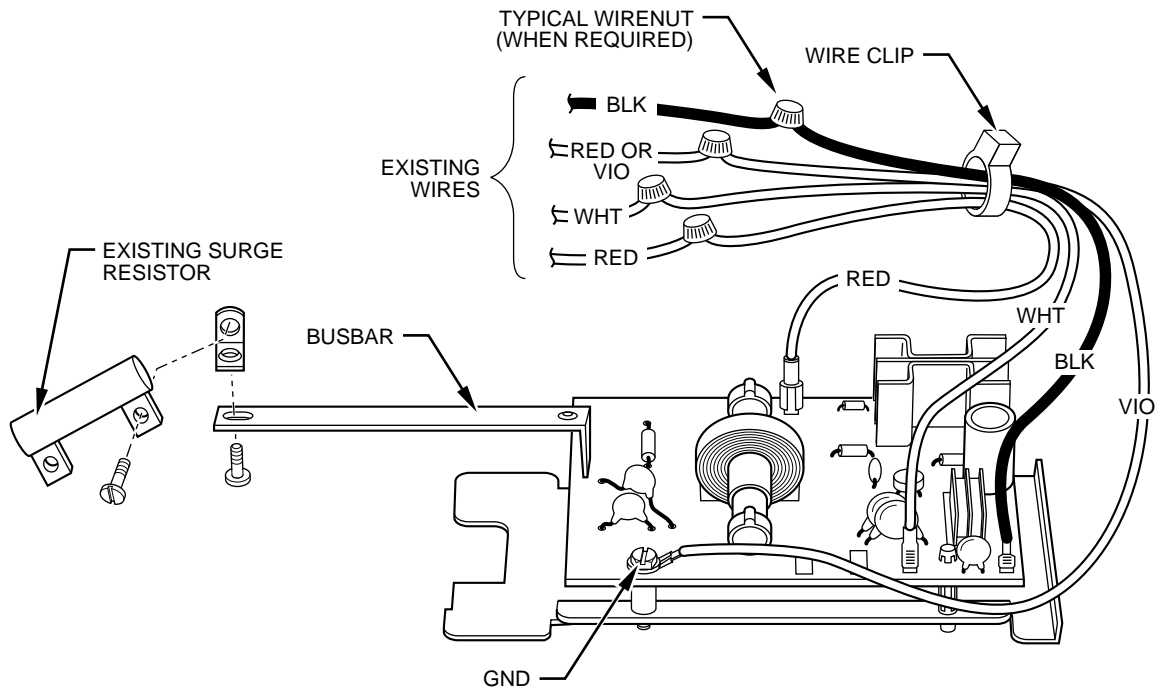


Fig. 1 — Models 31RG, 31RX, and 908C with 120-60-1 Electrical Supply

A95242