



Room Air 2000

X/Y Series Heat/Cool 10,200-23,500 Btu/Hr

Carrier's X/Y Series includes several four-season options, all of which provide quiet, reliable comfort for living and working areas from 500 to 1,500 square feet.



Carrier offers so many comfort choices, you'll easily find one that's exactly right for you. X Series models feature:

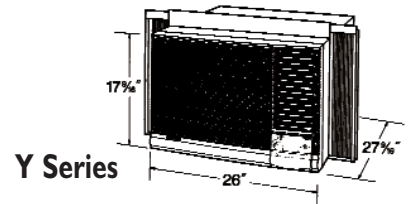
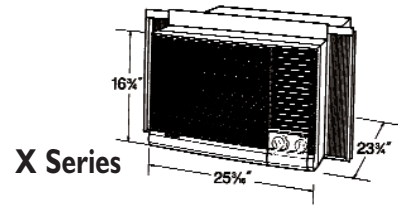
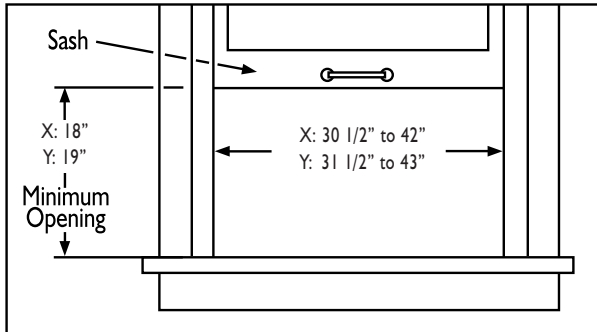
- Super-quiet, sound-minimized air movement system
- High-efficiency rotary compressor
- SureTemp™ automatic thermostat
- Three-speed cooling
- Energy Saver switch
- Six-way air flow control
- Compact design
- Exhaust control
- Concealed control panel
- Slide-out chassis
- Weather Armor™ cabinet provides three times the salt corrosion protection of ordinary enamel finishes

Model	Voltage	Cooling Capacity (Btu/Hr)	EER
Heat/Cool			
XHC101D	115	10,200	10.0
XHA123D	230/208	12,000/11,600	10.2/10.2
XHB153D	230/208	15,000/14,700	10.2/10.2
XHB183D	230/208	17,800/17,500	9.5/9.5
YHB243D	230/208	23,500/23,100	8.4/8.4

Accessory mounting kit available for window installation. X series part #73XH900001
 Accessory mounting kit available for window installation. Y series part #73YH900001



Window and Unit Dimensions:

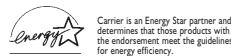


Product Specifications:

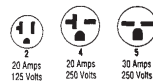
Model	Capacity, Btu/Hr	Volts	EER	Watts	Amperes	Receptacle Type	Fuse Size *	Fan Speeds	Moisture Removal, Pts./Hr.	CFM, Hi/Lo	Air Throw, Feet	Air Flow Control	Ventilation	Exhaust	Energy Saver Switch	Cabinet Dimensions				Chassis Type	Window Installation Kit	Weight (net/ship)	UPC Code Numbers
																A (height)	B (width)	C (depth)	D (depth without grille)				
HEAT/COOL UNITS																							
XHC101D	10200-C 5200-EH	115	10.0	1020 1840	11.0 16.1	2	20	3 2	2.7	290/170	34	6-WAY	NO	YES	YES	16 3/4	25 3/16	23 3/4	10 1/2	SLIDE-OUT	ACCESSORY	110/119	781897101376
XHA123D	12000-C 9200-EH	230	10.2	1180 3080	5.2 13.4	4	20	3	3.6	290/170	34	6-WAY	NO	YES	YES	16 3/4	25 3/16	23 3/4	10 1/2	SLIDE-OUT	ACCESSORY	115/124	781897101317
	11600-C 7600-EH	208	10.2	1140 2540	5.5 12.3																		
XHB153D	15000-C 14600-EH	230	10.2	1470 4790	6.5 20.9	5	30	3	4.3	370/270	43	6-WAY	NO	YES	YES	16 3/4	25 3/16	23 3/4	10 1/2	SLIDE-OUT	ACCESSORY	121/131	781897101843
	14700-C 11800-EH	208	10.2	1440 3950	7.0 19.0																		
XHB183D	17800-C 15800-EH	230	9.5	1870 5200	8.3 23.6	5	30	3	5.3	420/300	49	6-WAY	NO	YES	YES	16 3/4	25 3/16	23 3/4	10 1/2	SLIDE-OUT	ACCESSORY	123/132	781897101676
	17500-C 13100-EH	208	9.5	1830 4300	8.8 20.9																		
YHB243D	23500-C 15200-EH	230	8.4	2800 5240	12.3 22.8	5	30	3	7.2	580/420	63	6-WAY	YES	YES	YES	17 9/16	26	27 9/16	11 1/2	SLIDE-OUT	ACCESSORY	159/168	781897101683
	23100-C 12400-EH	208	8.4	2750 4340	13.3 20.9																		

*Fuse Time delay or equivalent.

C= Cool only, EH= Heat/Cool



Required Wall Receptacles



www.carrier.com

Due to Carrier's commitment to continuous improvement, specifications are subject to change without notice.

For a complete listing of Carrier Room Air Conditioners, visit us at www.carrier.com