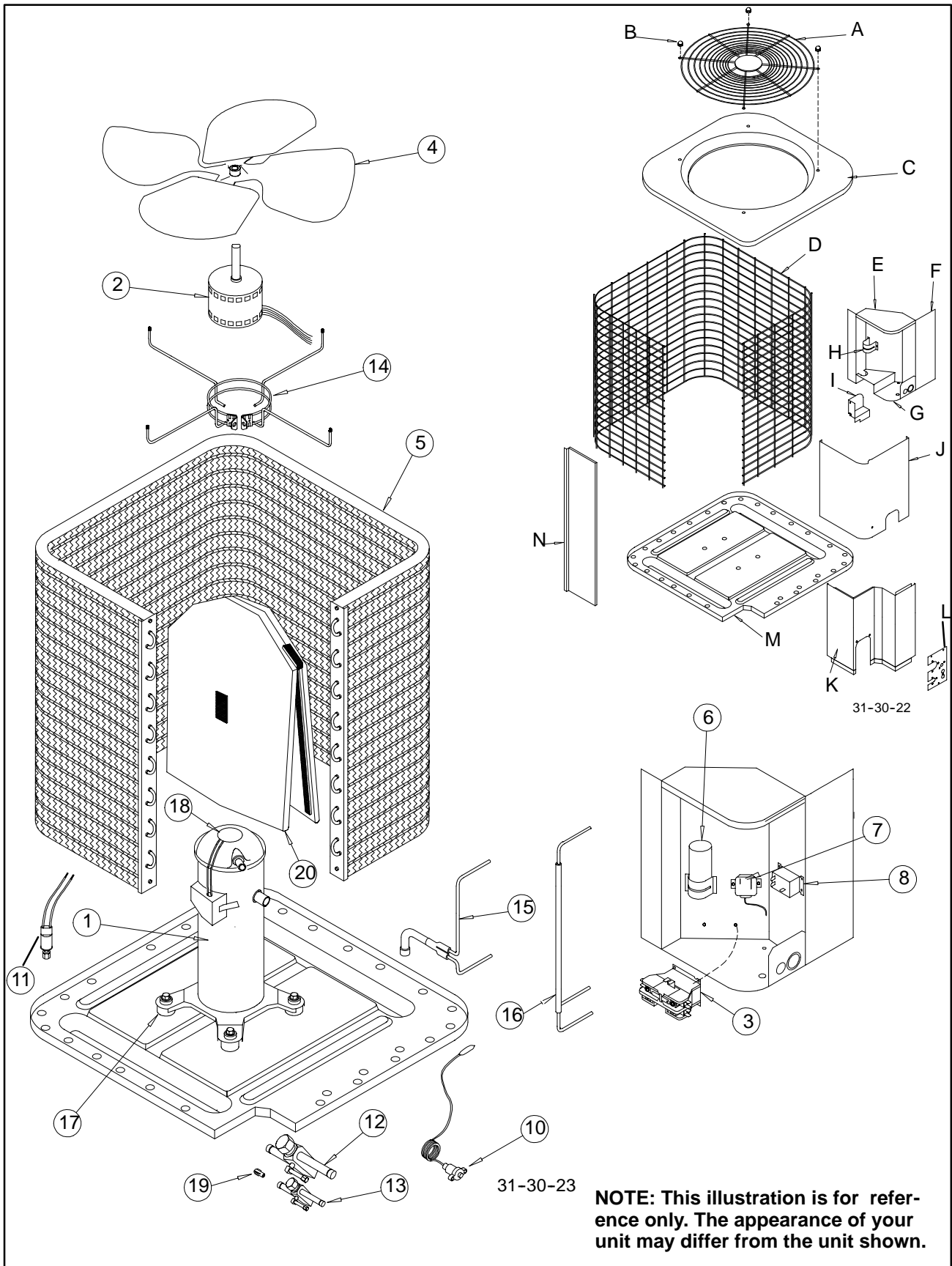


Replacement Parts - CA9600 & AJ SERIES



Replacement Parts - CA9600 & AJ SERIES

Models - CA9624VKB2, CA9630VKB2, CA9636VKA3, CA9642VKA3, CA9648VKA3, CA9660VKA2

AJ018GA1, AJ024GA1, AJ030G4, AJ036G4, AJ042G4, AJ048G4, AJ060G4

#	DESCRIPTION Functional	Part No.	2 4	3 0	3 6	4 2	4 8	6 0
1	COMPRESSOR ZR22K3PFV	1082755	1					
1	ZR28K3PFV	1082756	*	1				
1	ZR34K3PFV	1081881	*	*	1			
1	ZR36K3PFV	1084521	*	*	*	1		
1	ZR42K3PFV	1084522	*	*	*	*	1	
1	ZR57K3PFV	1083019	*	*	*	*	*	1
2	MOTOR, FAN	1069892	1					
2		1053217	*	1	1			
3		1050906	*	*	*	1	1	1
3	CONTACTOR 25AMP	1050699	1	1	1	1		
3	35AMP	1050839	*	*	*	*	1	
3	40AMP	1059574	*	*	*	*	*	1
4	FAN	1080774	1					
4		1053342	*	1	1			
4		1053345	*	*	*	1	1	1
5	CONDENSER	1082569	1					
5		1083009	*	1				
5		1068426	*	*	1	1		
5		1068459	*	*	*	*	1	
5		1061928	*	*	*	*	*	1
6	CAPACITOR, 40+5MFD,370V	1094980	1					
6	45+5MFD,370V	1094982	*	1				
6	50+5MFD,370V	1094993	*	*	1			
6	50+7.5MFD,370V	1067388	*	*	*	1		
6	60+7.5MFD,370V	1149997	*	*	*	*	1	
6	80+7.5MFD,370V	1149999	*	*	*	*	*	1
7	TIMER, ANTI-CYCLE (CA96 ONLY)	1060410	*	*	*	*	*	1
7	(AJ ONLY)	24370800	*	*	*	*	*	1
8	CONTROL, TWO SPEED FAN	1053665	1	1				
8		1053553	*	*	1	1	1	1
11	SWITCH, LOW PRESSURE	1071932	1	1	1	1	1	1
12	VALVE, SERVICE SUCTION	1080995	1	1	1			
12		1068791	*	*	*	1		
12		1080996	*	*	*	*	1	1
13	VALVE, SERVICE LIQUID	1081000	1			1	1	
13		1080999	*	1	1			
13		1067069	*	*	*	*	*	1
14	MOUNT, FAN MOTOR	1051460	1					
14		1052968	*	1	1	1	1	1
15	DISTRIBUTOR ASSEMBLY	1082522	1					
15		1082560	*	1				
15		1068435	*	*	1	1		
15		1068454	*	*	*	*	1	
16	MANIFOLD, CROSSOVER	1053909	*	*	1	1		
16		1053556	*	*	*	*	1	
16		1051474	*	*	*	*	*	1
16A	MANIFOLD, LIQUID	1053765	*	*	1	1	1	1
16B	MANIFOLD, DISCHARGE	1061931	*	*	*	*	*	1
17	GROMMET, COMPRESSOR	1052060	4	4	4	4	4	4
19	RESTRICTOR .059	1055236	1					
19	.067	1057899	*	1				
19	.070	1053644	*	*	1			
20	JACKET, SOUND (AJ ONLY)	1081848	1	1				
20	(AJ ONLY)	1068472	*	*	1	1	1	
20	(AJ ONLY)	1067075	*	*	*	*	*	1
39	PLUG, COMPRESSOR	1081940	1	1	1	1	1	1

#	DESCRIPTION Non- Functional	Part No.	2 4	3 0	3 6	4 2	4 8	6 0
A	GRILLE, OUTLET	1063381	*	1	1	1	1	1
B	NUT, CAP (CA96 ONLY)	1052963	4					
B	NUT, CAP (CA96 ONLY)	1053248	*	4	4	4	4	4
B	NUT, CAP (AJ ONLY)	1063394	4					
B	NUT, CAP (AJ ONLY)	1063395	*	4	4	4	4	4
C	PANEL, TOP (CA96 ONLY)	1084559	1					
C	(CA96 ONLY)	1084560	*	1	1	1	1	1
C	(AJ ONLY)	1063191	1					
C	(AJ ONLY)	1063192	*	1	1	1	1	1
D	GRILLE, INLET	1083359	1					
D		1083357	*	1				
D		1069990	*	*	1	1		
D		1080684	*	*	*	*	1	
D		1080687	*	*	*	*	*	1
E	TOP, CONTROL BOX	1064362	1	1	1	1	1	1
F	BOX, CONTROL	1060006	1	1	1	1	1	1
G	BOTTOM, CONTROL BOX	1064364	1	1	1	1	1	1
H	CLAMP, CAPACITOR	1095021	1	1				
H		1064218	*	*	1	1	1	1
I	DIVIDER, LOW VOLTAGE	1051297	1	1	1	1	1	1
J	COVER, CONTROL BOX (CA96 ONLY)	1084564	1	1				
J	(CA96 ONLY)	1084562	*	*	1	1	1	1
J	(AJ ONLY)	1083368	1	1				
J	(AJ ONLY)	1081975	*	*	1	1	1	1
K	PANEL, CORNER (CA96 ONLY)	1084571	1					
K	(CA96 ONLY)	1084576	*	1				
K	(CA96 ONLY)	1084573	*	*	1	1		
K	(CA96 ONLY)	1084575	*	*	*	*	1	
K	(CA96 ONLY)	1084578	*	*	*	*	*	1
K	(AJ ONLY)	1083365	1	*	*	*	*	*
K	(AJ ONLY)	1083370	*	1	*	*	*	*
K	(AJ ONLY)	1081988	*	*	1	1	*	*
K	(AJ ONLY)	1082546	*	*	*	*	1	
K	(AJ ONLY)	1081989	*	*	*	*	*	1
L	PLATE, FITTING	1052849	1	1	1	1	1	1
M	BASEPAN (CA96 ONLY)	1084552	1					
M	(CA96 ONLY)	1084555	*	1	1	1	1	1
M	(AJ ONLY)	1063193	1					
M	(AJ ONLY)	1068736	*	1	1	1	1	1
N	PANEL, ACCESS (CA96 ONLY)	1084618	*	1				
N	(CA96 ONLY)	1084616	*	*	1	1		
N	(CA96 ONLY)	1084617	*	*	*	*	1	
N	(CA96 ONLY)	1084620	*	*	*	*	*	1
N	(AJ ONLY)	1083369	*	1				
N	(AJ ONLY)	1081993	*	*	1	1		
N	(AJ ONLY)	1081994	*	*	*	*	1	
N	(AJ ONLY)	1081995	*	*	*	*	*	1
)	MANUAL, PARTS LIST	42104960300	1	1	1	1	1	1
)	MANUAL, INSTALLATION	42101110200	1	1	1	1	1	1
)	MANUAL, USERS	42102110200	1	1	1	1	1	1