



**C4A3**

**Product Specifications**

**EFFICIENT 13 SEER AIR CONDITIONER  
ENVIRONMENTALLY SOUND R-410A REFRIGERANT**

**1½ THRU 5 TONS SPLIT SYSTEM**

**208 / 230 Volt, 1-phase, 60 Hz**

**REFRIGERATION CIRCUIT**

- Copeland Scroll™ compressors on all models
- Filter-Drier supplied with every unit for field installation
- External high and low refrigerant service ports
- Copper tube / aluminum fin coil
- 5 ton model has 2-row coil for reduced height

**PERFORMANCE**

- 2-speed Fan Motors factory wired on all models
- Compressor Sound Jacket standard

**EASY TO INSTALL AND SERVICE**

- Comfort Alert™ Diagnostics device on all models
- Easy Access service valves on all models
- Compressor access panel
- New, innovative control box design
- High and Low pressure switches
- Fan motor in-line disconnect plug
- Only two screws to access control panel
- Factory charged with R-410A refrigerant

**BUILT TO LAST**

- High gloss, baked-on powder coat finish over galvanized steel
- Post-painted (black) coil fins
- Coated, weather-resistant cabinet screws
- Coated inlet grille with 3/8" spacing for extra protection
- Corner Posts for extra strength and style
- 5 year No Hassle replacement limited warranty
- 10 year compressor limited warranty
- 5 year coil limited warranty
- 5 year parts limited warranty

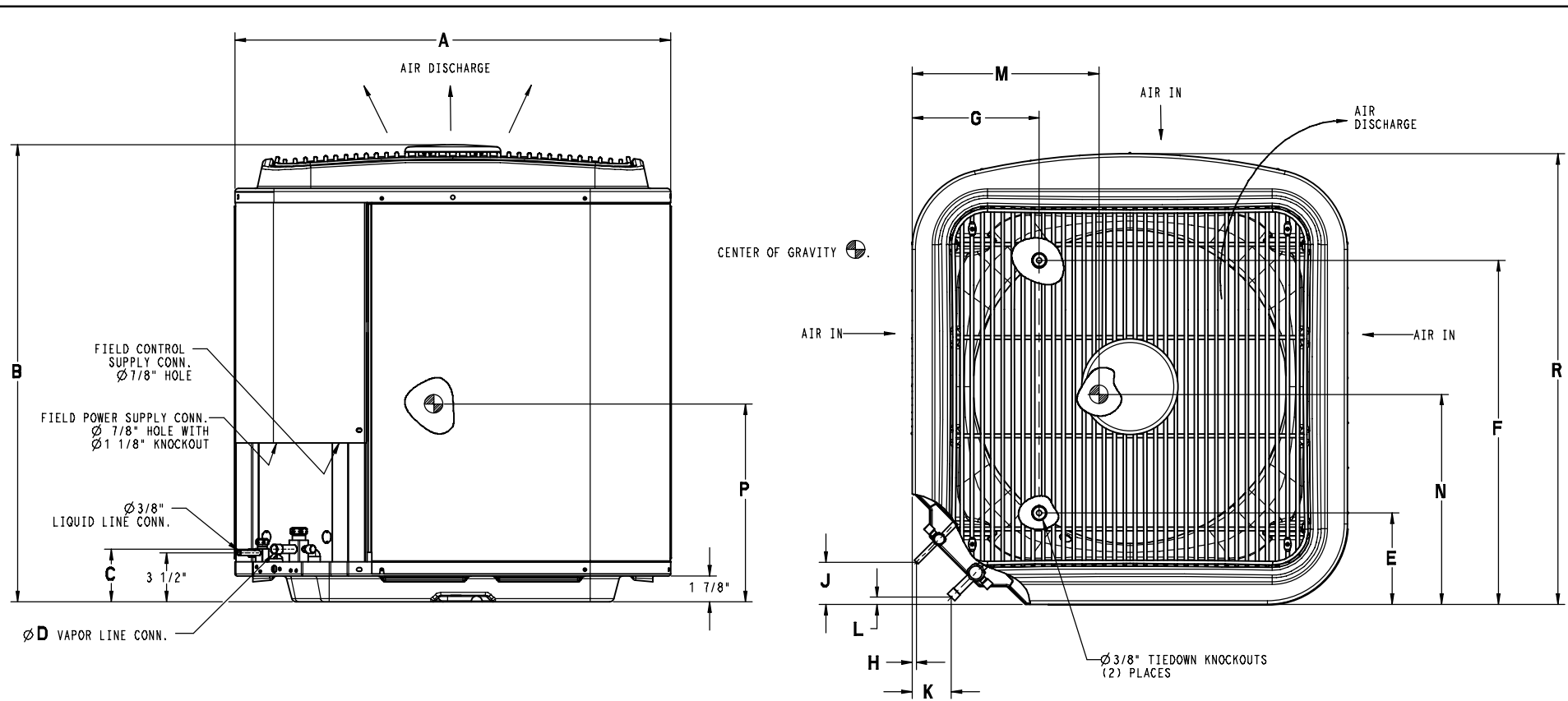


Rated in accordance with ARI Standard 210.  
Certification applies only when used with proper components as listed with ARI.



Model Number	Size (tons)	Nominal Btu/hr	Min. Circuit Ampacity	Max. Fuse or Breaker	Operating Dimensions height x width x depth (in)	Ship / Operating Weight (lbs)
C4A318GKA	1½	18,000	11.7	20	29¾ × 31¼ × 32⅝	187 / 160
C4A324GKA	2	24,000	16.5	25	29¾ × 31¼ × 32⅝	189 / 162
C4A330GKA	2½	30,000	18.7	30	36¾ × 31¼ × 32⅝	200 / 172
C4A336GKA	3	36,000	21.9	35	39⅞ × 31¼ × 32⅝	215 / 187
C4A342GKA	3½	42,000	25.9	40	43⅞ × 35 × 36⅞	282 / 248
C4A348GKA	4	48,000	28.6	40	43⅞ × 35 × 36⅞	285 / 251
C4A360GKA	5	60,000	34.3	50	36⅞ × 35 × 36⅞	299 / 265

Specifications subject to change without notice.



Model	All Dimensions Inches																Minimum Mounting Pad Size	Crated Dimensions B(h) x A(w) x R(d)
	A	B	C	D	E	F	G	H	J	K	L	M	N	P	R			
C4A318GKA	31 <sup>3</sup> / <sub>16</sub>	29 <sup>3</sup> / <sub>8</sub>	3 <sup>3</sup> / <sub>4</sub>	5 <sup>5</sup> / <sub>8</sub>	6 <sup>9</sup> / <sub>16</sub>	24 <sup>11</sup> / <sub>16</sub>	9 <sup>1</sup> / <sub>8</sub>	5 <sup>5</sup> / <sub>16</sub>	3	2 <sup>13</sup> / <sub>16</sub>	1/2	15 <sup>7</sup> / <sub>8</sub>	15 <sup>1</sup> / <sub>2</sub>	14 <sup>7</sup> / <sub>8</sub>	32 <sup>5</sup> / <sub>16</sub>	31 <sup>1</sup> / <sub>2</sub> x 32 <sup>1</sup> / <sub>2</sub>	33 <sup>13</sup> / <sub>16</sub> x 32 <sup>3</sup> / <sub>8</sub> x 33 <sup>7</sup> / <sub>16</sub>	
C4A324GKA	31 <sup>3</sup> / <sub>16</sub>	29 <sup>3</sup> / <sub>8</sub>	3 <sup>3</sup> / <sub>4</sub>	5 <sup>5</sup> / <sub>8</sub>	6 <sup>9</sup> / <sub>16</sub>	24 <sup>11</sup> / <sub>16</sub>	9 <sup>1</sup> / <sub>8</sub>	5 <sup>5</sup> / <sub>16</sub>	3	2 <sup>13</sup> / <sub>16</sub>	1/2	15 <sup>7</sup> / <sub>8</sub>	15 <sup>1</sup> / <sub>2</sub>	14 <sup>7</sup> / <sub>8</sub>	32 <sup>5</sup> / <sub>16</sub>	31 <sup>1</sup> / <sub>2</sub> x 32 <sup>1</sup> / <sub>2</sub>	33 <sup>13</sup> / <sub>16</sub> x 32 <sup>3</sup> / <sub>8</sub> x 33 <sup>7</sup> / <sub>16</sub>	
C4A330GKA	31 <sup>3</sup> / <sub>16</sub>	36 <sup>3</sup> / <sub>16</sub>	3 <sup>3</sup> / <sub>4</sub>	3/4	6 <sup>9</sup> / <sub>16</sub>	24 <sup>11</sup> / <sub>16</sub>	9 <sup>1</sup> / <sub>8</sub>	5 <sup>5</sup> / <sub>16</sub>	3	2 <sup>13</sup> / <sub>16</sub>	1/2	16 <sup>3</sup> / <sub>4</sub>	14 <sup>3</sup> / <sub>4</sub>	16 <sup>3</sup> / <sub>4</sub>	32 <sup>5</sup> / <sub>16</sub>	31 <sup>1</sup> / <sub>2</sub> x 32 <sup>1</sup> / <sub>2</sub>	40 <sup>5</sup> / <sub>8</sub> x 32 <sup>3</sup> / <sub>8</sub> x 33 <sup>7</sup> / <sub>16</sub>	
C4A336GKA	31 <sup>3</sup> / <sub>16</sub>	39 <sup>9</sup> / <sub>16</sub>	3 <sup>3</sup> / <sub>4</sub>	3/4	6 <sup>9</sup> / <sub>16</sub>	24 <sup>11</sup> / <sub>16</sub>	9 <sup>1</sup> / <sub>8</sub>	5 <sup>5</sup> / <sub>16</sub>	3	2 <sup>13</sup> / <sub>16</sub>	1/2	19 <sup>3</sup> / <sub>4</sub>	18	20 <sup>1</sup> / <sub>4</sub>	32 <sup>5</sup> / <sub>16</sub>	31 <sup>1</sup> / <sub>2</sub> x 32 <sup>1</sup> / <sub>2</sub>	44 <sup>1</sup> / <sub>16</sub> x 32 <sup>3</sup> / <sub>8</sub> x 33 <sup>7</sup> / <sub>16</sub>	
C4A342GKA	35	43 <sup>11</sup> / <sub>16</sub>	3 <sup>7</sup> / <sub>8</sub>	7/8	6 <sup>9</sup> / <sub>16</sub>	24 <sup>11</sup> / <sub>16</sub>	9 <sup>1</sup> / <sub>8</sub>	5 <sup>5</sup> / <sub>16</sub>	3	2 <sup>15</sup> / <sub>16</sub>	5/8	19 <sup>3</sup> / <sub>4</sub>	18	20 <sup>1</sup> / <sub>4</sub>	36 <sup>9</sup> / <sub>16</sub>	35 x 36 <sup>1</sup> / <sub>2</sub>	47 <sup>7</sup> / <sub>16</sub> x 36 <sup>1</sup> / <sub>8</sub> x 37 <sup>3</sup> / <sub>4</sub>	
C4A348GKA	35	43 <sup>11</sup> / <sub>16</sub>	3 <sup>7</sup> / <sub>8</sub>	7/8	6 <sup>9</sup> / <sub>16</sub>	24 <sup>11</sup> / <sub>16</sub>	9 <sup>1</sup> / <sub>8</sub>	5 <sup>5</sup> / <sub>16</sub>	3	2 <sup>15</sup> / <sub>16</sub>	5/8	19 <sup>3</sup> / <sub>4</sub>	18	20 <sup>1</sup> / <sub>4</sub>	36 <sup>9</sup> / <sub>16</sub>	35 x 36 <sup>1</sup> / <sub>2</sub>	47 <sup>7</sup> / <sub>16</sub> x 36 <sup>1</sup> / <sub>8</sub> x 37 <sup>3</sup> / <sub>4</sub>	
C4A360GKA	35	36 <sup>7</sup> / <sub>8</sub>	3 <sup>7</sup> / <sub>8</sub>	7/8	6 <sup>9</sup> / <sub>16</sub>	24 <sup>11</sup> / <sub>16</sub>	9 <sup>1</sup> / <sub>8</sub>	5 <sup>5</sup> / <sub>16</sub>	3	2 <sup>15</sup> / <sub>16</sub>	5/8	19	18	15 <sup>1</sup> / <sub>4</sub>	36 <sup>9</sup> / <sub>16</sub>	35 x 36 <sup>1</sup> / <sub>2</sub>	40 <sup>5</sup> / <sub>8</sub> x 36 <sup>1</sup> / <sub>8</sub> x 37 <sup>3</sup> / <sub>4</sub>	

PHYSICAL DATA							
Model Size	18	24	30	36	42	48	60
Nominal Cooling Capacity (BTU/hr)	18,000	24,000	30,000	36,000	42,000	48,000	60,000
Nominal SEER	13.0	13.0	13.0	13.0	13.0	13.0	13.0
Sound Rating, High Speed Fan (dBA)	73	73	75	75	76	76	76
Low Speed Fan (dBA)	72	70	70	72	74	74	75
PSC Fan Motor HP	1/12	1/12	1/5	1/5	1/5	1/4	1/4
Fan RPM High	825	825	825	825	825	825	825
Fan RPM Low	750	750	750	750	750	750	750
Fan CFM (High)	2140	2140	2800	2800	3270	3670	3670
Coil Face Area (ft <sup>2</sup> )	11.26	11.26	14.47	16.08	22.36	22.36	18.30
Coil Rows – fins per inch	1–20	1–25	1–25	1–25	1–25	1–25	2–20
Low Pressure Switch Open Pressure (psig)	50 ± 7	50 ± 7	50 ± 7	50 ± 7	50 ± 7	50 ± 7	50 ± 7
Close Pressure (psig)	95 ± 7	95 ± 7	95 ± 7	95 ± 7	95 ± 7	95 ± 7	95 ± 7
High Pressure Switch Open Pressure (psig)	610 ± 10	610 ± 10	610 ± 10	610 ± 10	610 ± 10	610 ± 10	610 ± 10
Close Pressure (psig)	420 ± 25	420 ± 25	420 ± 25	420 ± 25	420 ± 25	420 ± 25	420 ± 25
Liquid Line Connection Size (in.)	3/8	3/8	3/8	3/8	3/8	3/8	3/8
Vapor Line Connection Size (in.)	5/8	5/8	3/4	3/4	7/8	7/8	7/8
Recommended Line Set Liquid Tube Diameter (in.)	3/8	3/8	3/8	3/8	3/8	3/8	3/8
Recommended Line Set Vapor Tube Diameter (in.) *	5/8 *	5/8 *	3/4 *	3/4 *	7/8 *	7/8 *	1 1/8 *
* Recommended Vapor Tube Line size is for standard installations. These recommendations may not apply to “Long Line” installations. When the total equivalent line length exceeds 80 feet or there is more than 20 feet vertical separation between indoor and outdoor units, consult the Long Line Application Guideline document before purchasing/installing line sets.							
Factory Charge R–410A (lbs.)	3.90	4.25	5.75	5.85	7.13	8.40	9.35
Required Subcooling (° F)	10	13	17	12	12	13	12
Weight, shipping (lbs.)	187	189	200	215	282	285	299
Weight, operating (lbs.)	160	162	172	187	248	251	265

ELECTRICAL DATA (208/230–1–60, voltage range 197V – 253V)							
Model Size	18	24	30	36	42	48	60
Minimum Circuit Ampacity – <b>MCA</b> (amps)	11.7	16.5	18.7	21.9	25.9	28.6	34.3
Maximum OverCurrent Protective device – <b>MOCP</b> (amps)	20	25	30	35	40	40	50
Compressor <b>RLA</b> (Rated Load Amps)	9.0	12.8	14.1	16.7	19.9	21.8	26.3
<b>LRA</b> (Locked Rotor Amps)	48	58.3	73	79	109	117	134
Fan Motor <b>FLA</b> (Full Load Amps)	0.5	0.5	1.1	1.1	1.1	1.4	1.4

**R-410A COOLING CAPACITY LOSS FOR VARIOUS LINE LENGTHS & TUBE DIAMETERS**

Model Size	Liquid Line (in.)	Acceptable Vapor Line Sizes (in.)	Cooling Capacity Loss (%) at Total Equivalent Line Length (ft.) Refer to Long Line Application Guideline to calculate equivalent length										
			Standard Application			Long Line Application (Requires Accessories)							
			25'	50'	80'	81'	100'	125'	150'	175'	200'	225'	250'
18	3/8	1/2	1	2	3	3	4	6	7	8	9	10	12
		5/8	0	0	1	1	1	1	2	2	3	3	3
24		5/8	0	1	1	1	2	3	3	4	4	5	6
		3/4	0	0	0	0	0	1	1	1	1	1	2
30		7/8	0	0	0	0	0	0	0	0	0	0	1
		5/8	1	2	3	3	3	4	5	6	7	8	9
		3/4	0	0	1	1	1	1	2	2	2	3	3
36		7/8	0	0	0	0	0	1	1	1	1	1	1
		5/8	1	2	4	4	5	6	7	9	10	11	13
		3/4	0	0	1	1	1	2	2	3	3	4	4
42		7/8	0	0	0	0	0	1	1	1	1	2	2
		3/4	0	1	2	2	2	3	4	4	5	6	6
	1 1/8	0	0	0	0	0	0	0	0	0	0	1	
48	7/8	0	0	1	1	1	1	2	2	2	3	3	
	3/4	0	1	2	2	3	4	5	5	6	7	8	
	1 1/8	0	0	0	0	0	0	0	0	1	1	1	
60	7/8	0	0	1	1	1	2	2	2	3	3	4	
	3/4	1	2	4	4	5	6	7	9	10	11	12	
	1 1/8	0	0	0	0	1	1	1	1	1	1	2	

\* Applications are considered “Long Line” if the total equivalent tubing length exceeds 80 feet or there is more than 20 foot vertical separation between indoor and outdoor units). These applications require additional accessories and system modifications for reliable system operation. Refer to the Long Line Application Guideline document for required piping and system modifications. Refer to Accessory Usage Guidelines below for required accessories.

Applications in this shaded area may have height restrictions that limit allowable total equivalent length when outdoor unit is below indoor unit. Refer to the Long Line Application Guideline document for instructions.

The maximum allowable total equivalent length is 250 feet.

**ACCESSORY USAGE GUIDELINES**

Accessory	REQUIRED FOR LOW-AMBIENT APPLICATIONS (Below 55° F)	REQUIRED FOR LONG LINE APPLICATIONS* (Over 80 Ft.)
Crankcase Heater	Yes	Yes
Evaporator Freeze Thermostat	Yes	No
Winter Start Control	Yes	No
Hard Start Kit (Capacitor & Relay)	Yes	Yes
Low Ambient Kit (Pressure Switch)	Yes	No
Support Feet, 4” tall	Recommended	No
Liquid Line Solenoid Valve	No	See Long-Line Application Guideline

\* For Line Set lengths between 80 and 200 ft horizontal, or more than 20 ft indoor-outdoor vertical separation, refer to the Long Line Application Guideline document.

ACCESSORIES		
Part Number	Description	Used On Model Size
NASA001CH	Crankcase Heater for Scroll Compressor (208/230 V)	42, 48, 60
NASA003CH	Crankcase Heater for Scroll Compressor (208/230 V Star Body)	18, 24, 30, 36
NASA001SC	Start Component – PTC Device	ALL
NASA001FS	Evaporator Freeze Thermostat	ALL
NASA401LS	Liquid Line Solenoid Valve, R-410A	ALL
NASA001TD	Time Delay Relay, Indoor Blower	ALL
NASA001WS	Winter Start Control	ALL
NASA001AC	Anti-Cycle Timer (5 minute delay)	ALL
NASA005SC	Hard Start Kit (Capacitor & Relay)	ALL
NASA401LA	Low Ambient Kit (Pressure Switch), R-410A	ALL
NASA001SF	Support Feet, 4" tall	ALL
EBAC05TXVX	TXV Kit, R-410A *	18, 24, 30
EBAC06TXVX	TXV Kit, R-410A *	36, 42
EBAC07TXVX	TXV Kit, R-410A *	48, 60

\* ONLY converts Fan Coils equipped with factory installed R-22 TXV.

COOLING PERFORMANCE FOR COMBINATION RATINGS								
Indoor Models								
Outdoor Model	Current Indoor Model (‡ tested combo)	Furnace Model	Factory Installed	Cooling (95 ° F)			SEER	
				BTU/hr	S/T	EER	factory	w/ field TDR
C4A318GKA	‡ ED*4X18B**	†	TXV	17,400	0.77	11.00		13.00
	^ED*4X18B**	MV08B15****	TDR & TXV	18,000	0.77	11.70	14.00	
	ED*4X24B**	†	TXV	17,700	0.77	11.00		13.00
	^ED*4X24B**	MV08B15****	TDR & TXV	18,400	0.77	12.00	14.00	
	ED*4X24F**	†	TXV	17,700	0.77	11.00		13.00
	^ED*4X24F**	MV12F19****	TDR & TXV	18,000	0.77	12.00	14.00	
	EHD4X24A**	†	TXV	17,700	0.77	11.00		13.00
	^EHD4X24A**	*9MPV050	TDR & TXV	18,400	0.77	11.50	14.00	
	EHD4X24A**	*9MPV075	TDR & TXV	18,400	0.77	11.20	13.50	
	^EHD4X24A**	MV08B15****	TDR & TXV	18,400	0.77	12.00	14.00	
	^EHD4X24A**	MV12F19****	TDR & TXV	18,000	0.77	12.00	14.00	
	EMA4X24D**	†	TXV	17,500	0.77	11.00		13.00
	^FEM4X18****		TDR & TXV	17,800	0.77	11.50	14.00	
	^FEM4X24****		TDR & TXV	18,000	0.77	11.70	14.00	
	FS(M,U)4X18****		TDR & TXV	17,300	0.77	11.00	13.00	
	FS(M,U)4X24****		TDR & TXV	17,600	0.77	11.00	13.00	
^FVM4X24****		TDR & TXV	17,900	0.77	12.50	14.00		

^ Indicates ENERGY STAR compliance for combinations with both: SEER 14.0 or higher and EER 11.5 or higher.  
 † For coils not listed with a matching furnace or blower, coil rating applies with any indoor blower device

- continued on next page -

COOLING PERFORMANCE FOR COMBINATION RATINGS (continued)								
Indoor Models								
Outdoor Model	Current Indoor Model (‡ tested combo)	Furnace Model	Factory Installed	Cooling (95 ° F)			SEER	
				BTU/hr	S/T	EER	factory	w/ field TDR
C4A324GKA	‡ ED*4X24B**	†	TXV	24,000	0.76	11.00		13.00
	^ED*4X24B**	*8MPV050	TDR & TXV	24,400	0.76	11.50	14.00	
	^ED*4X24B**	MV08B15****	TDR & TXV	24,600	0.76	11.70	14.00	
	ED*4X24F**	†	TXV	24,000	0.76	11.00		13.00
	^ED*4X24F**	*8MPV075	TDR & TXV	24,800	0.76	11.50	14.00	
	^ED*4X24F**	*9MPV050	TDR & TXV	24,200	0.76	11.50	14.00	
	^ED*4X24F**	*9MPV075	TDR & TXV	24,400	0.76	11.50	14.00	
	^ED*4X24F**	MV12F19****	TDR & TXV	24,400	0.76	11.70	14.00	
	ED*4X30B**	†	TXV	24,200	0.76	11.00		13.00
	^ED*4X30B**	*8MPV050	TDR & TXV	24,600	0.76	11.50	14.00	
	^ED*4X30B**	MV08B15****	TDR & TXV	24,800	0.76	11.70	14.00	
	ED*4X30F**	†	TXV	24,200	0.76	11.00		13.00
	^ED*4X30F**	*9MPV050	TDR & TXV	24,600	0.76	11.50	14.00	
	^ED*4X30F**	*9MPV075	TDR & TXV	24,800	0.76	11.50	14.00	
	^ED*4X30F**	MV12F19****	TDR & TXV	24,800	0.76	12.00	14.00	
	EHD4X24A**	†	TXV	23,800	0.76	11.00		13.00
	EHD4X24A**	*8MPV050	TDR & TXV	24,200	0.76	11.20	13.50	
	^EHD4X24A**	*8MPV075	TDR & TXV	24,400	0.76	11.50	14.00	
	^EHD4X24A**	*8MPV100	TDR & TXV	24,800	0.76	11.50	14.00	
	^EHD4X24A**	*8MPV125	TDR & TXV	24,800	0.76	11.70	14.00	
	^EHD4X24A**	*9MPV050	TDR & TXV	24,200	0.76	11.50	14.00	
	EHD4X24A**	*9MPV075	TDR & TXV	24,400	0.76	11.20	13.50	
	^EHD4X24A**	*9MPV100	TDR & TXV	24,200	0.76	11.50	14.00	
	^EHD4X24A**	*9MPV125	TDR & TXV	24,600	0.76	11.50	14.00	
	^EHD4X24A**	MV08B15****	TDR & TXV	24,200	0.76	11.70	14.00	
	^EHD4X24A**	MV12F19****	TDR & TXV	24,400	0.76	11.70	14.00	
	^EHD4X24A**	MV16J22****	TDR & TXV	24,400	0.76	11.70	14.00	
	^EHD4X24A**	MV20N26****	TDR & TXV	24,600	0.76	11.70	14.00	
	EHD4X30A**	†	TXV	24,200	0.76	11.00		13.00
	^EHD4X30A**	*8MPV050	TDR & TXV	24,600	0.76	11.50	14.00	
	^EHD4X30A**	*8MPV075	TDR & TXV	25,200	0.76	11.50	14.00	
	^EHD4X30A**	*8MPV100	TDR & TXV	25,200	0.76	11.70	14.00	
	^EHD4X30A**	*8MPV125	TDR & TXV	25,200	0.76	11.70	14.00	
	^EHD4X30A**	*9MPV050	TDR & TXV	24,600	0.76	11.50	14.00	
	^EHD4X30A**	*9MPV075	TDR & TXV	24,800	0.76	11.50	14.00	
	^EHD4X30A**	*9MPV100	TDR & TXV	24,800	0.76	11.70	14.00	
	^EHD4X30A**	MV08B15****	TDR & TXV	24,800	0.76	11.70	14.00	
	^EHD4X30A**	MV12F19****	TDR & TXV	24,800	0.76	11.70	14.00	
	^EHD4X30A**	MV16J22****	TDR & TXV	25,000	0.76	12.00	14.00	
	^EHD4X30A**	MV20N26****	TDR & TXV	24,800	0.76	12.00	14.00	
EMA4X24D**	†	TXV	23,800	0.76	11.00		13.00	
^FEM4X24****		TDR & TXV	24,400	0.76	11.50	14.00		
^FEM4X30****		TDR & TXV	24,600	0.76	11.70	14.00		
FS(M,U)4X24****		TDR & TXV	23,800	0.76	11.00	13.00		
FS(M,U)4X30****		TDR & TXV	24,400	0.76	11.00	13.20		
^FVM4X24****		TDR & TXV	24,400	0.76	12.00	14.00		
^FVM4X36****		TDR & TXV	24,400	0.76	12.50	14.00		

^ Indicates ENERGY STAR compliance for combinations with both: SEER 14.0 or higher and EER 11.5 or higher.

† For coils not listed with a matching furnace or blower, coil rating applies with any indoor blower device

- continued on next page -

COOLING PERFORMANCE FOR COMBINATION RATINGS (continued)								
Indoor Models								
Outdoor Model	Current Indoor Model (‡ tested combo)	Furnace Model	Factory Installed	Cooling (95 ° F)			SEER	
				BTU/hr	S/T	EER	factory	w/ field TDR
C4A330GKA	‡ ED*4X30B**	†	TXV	29,000	0.77	11.00		13.00
	ED*4X30B**	*8MPV050	TDR & TXV	29,200	0.77	11.20	13.50	
	^ED*4X30B**	MV08B15****	TDR & TXV	29,400	0.77	11.50	14.00	
	ED*4X30F**	†	TXV	29,000	0.77	11.00		13.00
	^ED*4X30F**	*8MPV075	TDR & TXV	29,400	0.77	11.50	14.00	
	ED*4X30F**	*9MPV050	TDR & TXV	29,000	0.77	11.20	13.50	
	ED*4X30F**	*9MPV075	TDR & TXV	29,200	0.77	11.20	13.50	
	^ED*4X30F**	MV12F19****	TDR & TXV	29,800	0.77	11.50	14.00	
	ED*4X36B**	†	TXV	29,000	0.77	11.00		13.00
	ED*4X36B**	*8MPV050	TDR & TXV	29,400	0.77	11.20	13.50	
	^ED*4X36B**	MV08B15****	TDR & TXV	29,400	0.77	11.50	14.00	
	ED*4X36F**	†	TXV	29,000	0.77	11.00		13.00
	^ED*4X36F**	*8MPV075	TDR & TXV	29,400	0.77	11.50	14.00	
	ED*4X36F**	*9MPV050	TDR & TXV	29,200	0.77	11.20	13.50	
	ED*4X36F**	*9MPV075	TDR & TXV	29,200	0.77	11.20	13.50	
	^ED*4X36F**	MV12F19****	TDR & TXV	29,800	0.77	11.70	14.00	
	ED*4X36J**	†	TXV	29,000	0.77	11.00		13.00
	^ED*4X36J**	*8MPV100	TDR & TXV	29,600	0.77	11.70	14.00	
	^ED*4X36J**	*8MPV125	TDR & TXV	29,600	0.77	11.70	14.00	
	^ED*4X36J**	*9MPV100	TDR & TXV	29,600	0.77	11.50	14.00	
	^ED*4X36J**	MV16J22****	TDR & TXV	29,600	0.77	11.70	14.00	
	EHD4X30A**	†	TXV	28,800	0.77	11.00		13.00
	EHD4X30A**	*8MPV050	TDR & TXV	29,200	0.77	11.20	13.50	
	^EHD4X30A**	*8MPV075	TDR & TXV	29,200	0.77	11.50	14.00	
	^EHD4X30A**	*8MPV100	TDR & TXV	29,600	0.77	11.50	14.00	
	^EHD4X30A**	*8MPV125	TDR & TXV	29,600	0.77	11.50	14.00	
	EHD4X30A**	*9MPV050	TDR & TXV	28,800	0.77	11.00	13.20	
	EHD4X30A**	*9MPV075	TDR & TXV	29,000	0.77	11.20	13.50	
	^EHD4X30A**	*9MPV100	TDR & TXV	28,800	0.77	11.50	14.00	
	^EHD4X30A**	*9MPV125	TDR & TXV	29,200	0.77	11.50	14.00	
	^EHD4X30A**	MV08B15****	TDR & TXV	29,600	0.77	11.50	14.00	
	^EHD4X30A**	MV12F19****	TDR & TXV	29,800	0.77	11.50	14.00	
	^EHD4X30A**	MV16J22****	TDR & TXV	29,600	0.77	11.70	14.00	
	^EHD4X30A**	MV20N26****	TDR & TXV	29,600	0.77	11.70	14.00	
	EHD4X36A**	†	TXV	29,000	0.77	11.00		13.00
	^EHD4X36A**	*8MPV050	TDR & TXV	29,400	0.77	11.50	14.00	
	^EHD4X36A**	*8MPV075	TDR & TXV	29,400	0.77	11.50	14.00	
	^EHD4X36A**	*8MPV100	TDR & TXV	29,400	0.77	11.70	14.00	
	^EHD4X36A**	*8MPV125	TDR & TXV	29,200	0.77	11.70	14.00	
	EHD4X36A**	*9MPV050	TDR & TXV	29,200	0.77	11.20	13.50	
	^EHD4X36A**	*9MPV075	TDR & TXV	29,200	0.77	11.50	14.00	
	^EHD4X36A**	*9MPV100	TDR & TXV	29,600	0.77	11.50	14.00	
^EHD4X36A**	*9MPV125	TDR & TXV	29,600	0.77	11.70	14.00		
^EHD4X36A**	MV08B15****	TDR & TXV	29,400	0.77	11.70	14.00		
^EHD4X36A**	MV12F19****	TDR & TXV	29,800	0.77	11.70	14.00		
^EHD4X36A**	MV16J22****	TDR & TXV	29,600	0.77	11.70	14.00		
^EHD4X36A**	MV20N26****	TDR & TXV	29,600	0.77	11.70	14.00		
EMA4X36D**	†	TXV	28,800	0.77	11.00		13.00	
^FEM4X30****		TDR & TXV	29,200	0.77	11.50	14.00		
^FEM4X36****		TDR & TXV	30,000	0.77	11.50	14.00		
FS(M,U)4X30****		TDR & TXV	28,800	0.77	11.00	13.00		
FSU4X36****		TDR & TXV	29,000	0.77	11.00	13.00		
^FVM4X24****		TDR & TXV	29,000	0.77	11.50	14.00		
^FVM4X36****		TDR & TXV	29,200	0.77	12.00	14.00		
^FVM4X48****		TDR & TXV	30,000	0.77	12.00	14.00		

^ Indicates ENERGY STAR compliance for combinations with both: SEER 14.0 or higher and EER 11.5 or higher.

† For coils not listed with a matching furnace or blower, coil rating applies with any indoor blower device

- continued on next page -



COOLING PERFORMANCE FOR COMBINATION RATINGS (continued)								
Indoor Models								
Outdoor Model	Current Indoor Model (‡ tested combo)	Furnace Model	Factory Installed	Cooling (95 ° F)			SEER	
				BTU/hr	S/T	EER	factory	w/ field TDR
C4A336GKA	ED*4X36B**	†	TXV	34,800	0.77	11.00		13.00
	ED*4X36B**	MV08B15****	TDR & TXV	34,800	0.77	11.20	13.50	
	‡ ED*4X36F**	†	TXV	35,000	0.77	11.00		13.00
	ED*4X36F**	*8MPV075	TDR & TXV	34,800	0.77	11.20	13.50	
	ED*4X36F**	*9MPV050	TDR & TXV	34,400	0.77	11.00	13.20	
	ED*4X36F**	*9MPV075	TDR & TXV	34,600	0.77	11.00	13.20	
	^ED*4X36F**	MV12F19****	TDR & TXV	35,000	0.77	11.50	14.00	
	ED*4X36J**	†	TXV	35,000	0.77	11.00		13.00
	^ED*4X36J**	*8MPV100	TDR & TXV	35,200	0.77	11.50	14.00	
	^ED*4X36J**	*8MPV125	TDR & TXV	35,200	0.77	11.50	14.00	
	ED*4X36J**	*9MPV100	TDR & TXV	35,200	0.77	11.20	13.50	
	^ED*4X36J**	MV16J22****	TDR & TXV	35,000	0.77	11.70	14.00	
	ED*4X42J**	†	TXV	35,200	0.77	11.00		13.00
	^ED*4X42J**	*8MPV100	TDR & TXV	35,400	0.77	11.50	14.00	
	^ED*4X42J**	*8MPV125	TDR & TXV	35,400	0.77	11.50	14.00	
	ED*4X42J**	*9MPV100	TDR & TXV	35,400	0.77	11.20	13.50	
	^ED*4X42J**	MV16J22****	TDR & TXV	35,200	0.77	11.50	14.00	
	ED*4X42L**	†	TXV	35,200	0.77	11.00		13.00
	^ED*4X42L**	*9MPV125	TDR & TXV	35,000	0.77	11.50	14.00	
	EHD4X36A**	†	TXV	35,000	0.77	11.00		13.00
	EHD4X36A**	*8MPV050	TDR & TXV	34,800	0.77	11.20	13.50	
	EHD4X36A**	*8MPV075	TDR & TXV	34,800	0.77	11.20	13.50	
	^EHD4X36A**	*8MPV100	TDR & TXV	35,000	0.77	11.50	14.00	
	^EHD4X36A**	*8MPV125	TDR & TXV	35,800	0.77	11.50	14.00	
	EHD4X36A**	*9MPV050	TDR & TXV	34,400	0.77	11.20	13.50	
	EHD4X36A**	*9MPV075	TDR & TXV	34,600	0.77	11.20	13.50	
	^EHD4X36A**	*9MPV100	TDR & TXV	34,800	0.77	11.50	14.00	
	^EHD4X36A**	*9MPV125	TDR & TXV	35,000	0.77	11.50	14.00	
	^EHD4X36A**	MV08B15****	TDR & TXV	35,000	0.77	11.50	14.00	
	^EHD4X36A**	MV12F19****	TDR & TXV	35,000	0.77	11.70	14.00	
	^EHD4X36A**	MV16J22****	TDR & TXV	35,600	0.77	11.70	14.00	
	^EHD4X36A**	MV20N26****	TDR & TXV	35,600	0.77	11.70	14.00	
	EHD4X42A**	†	TXV	35,200	0.77	11.00		13.00
	EHD4X42A**	*8MPV050	TDR & TXV	35,200	0.77	11.20	13.50	
	^EHD4X42A**	*8MPV075	TDR & TXV	35,400	0.77	11.50	14.00	
	^EHD4X42A**	*8MPV100	TDR & TXV	35,400	0.77	11.50	14.00	
	^EHD4X42A**	*8MPV125	TDR & TXV	35,400	0.77	11.70	14.00	
	EHD4X42A**	*9MPV050	TDR & TXV	34,800	0.77	11.20	13.50	
	EHD4X42A**	*9MPV075	TDR & TXV	35,200	0.77	11.20	13.50	
	^EHD4X42A**	*9MPV100	TDR & TXV	35,600	0.77	11.50	14.00	
	^EHD4X42A**	*9MPV125	TDR & TXV	35,800	0.77	11.50	14.00	
	^EHD4X42A**	MV08B15****	TDR & TXV	35,600	0.77	11.50	14.00	
	^EHD4X42A**	MV12F19****	TDR & TXV	35,200	0.77	11.70	14.00	
	^EHD4X42A**	MV16J22****	TDR & TXV	36,200	0.77	11.70	14.00	
	^EHD4X42A**	MV20N26****	TDR & TXV	36,200	0.77	11.70	14.00	
	EMA4X36D**	†	TXV	34,800	0.77	11.00		13.00
	^FEM4X36****		TDR & TXV	35,600	0.77	11.50	14.00	
	^FEM4X42****		TDR & TXV	36,000	0.77	11.50	14.00	
FS(M,U)4X42****		TDR & TXV	35,400	0.77	11.00	13.00		
FSM4X36****		TDR & TXV	35,400	0.77	11.00	13.00		
FSU4X36****		TDR & TXV	34,400	0.77	11.00	13.00		
^FVM4X36****		TDR & TXV	34,800	0.77	12.00	14.00		
^FVM4X48****		TDR & TXV	36,000	0.77	12.50	14.00		

^ Indicates ENERGY STAR compliance for combinations with both: SEER 14.0 or higher and EER 11.5 or higher.

† For coils not listed with a matching furnace or blower, coil rating applies with any indoor blower device

- continued on next page -

COOLING PERFORMANCE FOR COMBINATION RATINGS (continued)								
Indoor Models								
Outdoor Model	Current Indoor Model (‡ tested combo)	Furnace Model	Factory Installed	Cooling (95 ° F)			SEER	
				BTU/hr	S/T	EER	factory	w/ field TDR
C4A342GKA	‡ ED*4X42J**		TXV	42,000	0.75	11.00		13.00
	^ED*4X42J**	*8MPV100	TDR & TXV	42,000	0.75	11.50	14.00	
	^ED*4X42J**	*8MPV125	TDR & TXV	42,000	0.75	11.50	14.00	
	ED*4X42J**	*9MPV100	TDR & TXV	42,000	0.75	11.20	13.50	
	^ED*4X42J**	MV16J22****	TDR & TXV	42,500	0.75	11.50	14.00	
	ED*4X42L**	†	TXV	42,000	0.75	11.00		13.00
	ED*4X42L**	*9MPV125	TDR & TXV	42,500	0.75	11.00	13.20	
	ED*4X48F**	†	TXV	43,000	0.75	11.00		13.00
	ED*4X48F**	*8MPV075	TDR & TXV	43,000	0.75	11.20	13.50	
	ED*4X48J**	†	TXV	42,500	0.75	11.00		13.00
	^ED*4X48J**	*8MPV100	TDR & TXV	42,500	0.75	11.50	14.00	
	^ED*4X48J**	*8MPV125	TDR & TXV	43,000	0.75	11.50	14.00	
	ED*4X48J**	*9MPV100	TDR & TXV	43,000	0.75	11.00	13.20	
	^ED*4X48J**	MV16J22****	TDR & TXV	43,500	0.75	11.70	14.00	
	ED*4X48L**	†	TXV	42,500	0.75	11.00		13.00
	^ED*4X48L**	*9MPV125	TDR & TXV	43,000	0.75	11.50	14.00	
	EHD4X42A**	†	TXV	42,000	0.75	11.00		13.00
	EHD4X42A**	*8MPV075	TDR & TXV	42,000	0.75	11.20	13.50	
	EHD4X42A**	*8MPV100	TDR & TXV	42,500	0.75	11.20	13.50	
	^EHD4X42A**	*8MPV125	TDR & TXV	42,000	0.75	11.50	14.00	
	EHD4X42A**	*9MPV100	TDR & TXV	42,000	0.75	11.20	13.50	
	EHD4X42A**	*9MPV125	TDR & TXV	42,000	0.75	11.20	13.50	
	^EHD4X42A**	MV16J22****	TDR & TXV	42,000	0.75	11.70	14.00	
	^EHD4X42A**	MV20N26****	TDR & TXV	42,000	0.75	11.50	14.00	
	EHD4X48A**	†	TXV	43,000	0.75	11.00		13.00
	EHD4X48A**	*8MPV075	TDR & TXV	43,000	0.75	11.20	13.50	
	^EHD4X48A**	*8MPV100	TDR & TXV	42,500	0.75	11.50	14.00	
	^EHD4X48A**	*8MPV125	TDR & TXV	43,000	0.75	11.50	14.00	
	EHD4X48A**	*9MPV100	TDR & TXV	43,000	0.75	11.20	13.50	
	EHD4X48A**	*9MPV125	TDR & TXV	43,000	0.75	11.20	13.50	
	^EHD4X48A**	MV16J22****	TDR & TXV	43,500	0.75	11.70	14.00	
	^EHD4X48A**	MV20N26****	TDR & TXV	43,500	0.75	11.50	14.00	
	EMA4X48D**	†	TXV	42,000	0.75	11.00		13.00
	^FEM4X42****		TDR & TXV	43,000	0.75	11.50	14.00	
	^FEM4X48****		TDR & TXV	44,000	0.75	11.70	14.00	
	FS(M,U)4X42****		TDR & TXV	42,000	0.75	11.00	13.00	
FS(M,U)4X48****		TDR & TXV	43,000	0.75	11.00	13.20		
FMS4X36****		TDR & TXV	42,500	0.75	11.00	13.00		
^FVM4X48****		TDR & TXV	43,500	0.75	12.00	14.00		
^FVM4X60****		TDR & TXV	44,000	0.75	12.50	14.00		

^ Indicates ENERGY STAR compliance for combinations with both: SEER 14.0 or higher and EER 11.5 or higher.

† For coils not listed with a matching furnace or blower, coil rating applies with any indoor blower device

- continued on next page -

COOLING PERFORMANCE FOR COMBINATION RATINGS (continued)									
Indoor Models									
Outdoor Model	Current Indoor Model (‡ tested combo)	Furnace Model	Factory Installed	Cooling (95 ° F)			SEER		
				BTU/hr	S/T	EER	factory	w/ field TDR	
C4A348GKA	ED*4X48F**	†	TXV	46,500	0.76	11.00		13.00	
	‡ED*4X48J**	†	TXV	47,000	0.76	11.00		13.00	
	ED*4X48J**	*8MPV125	TDR & TXV	47,000	0.76	11.00	13.20		
	ED*4X48J**	MV16J22****	TDR & TXV	47,000	0.76	11.20	13.50		
	ED*4X48L**	†	TXV	47,000	0.76	11.00		13.00	
	ED*4X48L**	*9MPV125	TDR & TXV	46,500	0.76	11.00	13.20		
	ED*4X60J**	†	TXV	48,000	0.76	11.00		13.00	
	ED*4X60J**	*8MPV100	TDR & TXV	48,500	0.76	11.20	13.50		
	ED*4X60J**	*8MPV125	TDR & TXV	47,500	0.76	11.20	13.50		
	ED*4X60J**	*9MPV100	TDR & TXV	48,000	0.76	11.00	13.20		
	^ED*4X60J**	MV16J22****	TDR & TXV	49,000	0.76	11.50	14.00		
	ED*4X60L**	†	TXV	48,000	0.76	11.00		13.00	
	ED*4X60L**	*9MPV125	TDR & TXV	48,000	0.76	11.20	13.50		
	EHD4X48A**	†	TXV	47,000	0.76	11.00		13.00	
	EHD4X48A**	*8MPV100	TDR & TXV	47,000	0.76	11.00	13.20		
	EHD4X48A**	*8MPV125	TDR & TXV	47,000	0.76	11.00	13.20		
	EHD4X48A**	*9MPV125	TDR & TXV	47,000	0.76	11.00	13.20		
	EHD4X48A**	MV16J22****	TDR & TXV	47,000	0.76	11.20	13.50		
	EHD4X48A**	MV20N26****	TDR & TXV	47,000	0.76	11.20	13.50		
	EHD4X60A**	†	TXV	48,000	0.76	11.00		13.00	
	EHD4X60A**	*8MPV100	TDR & TXV	48,500	0.76	11.20	13.50		
	EHD4X60A**	*8MPV125	TDR & TXV	47,500	0.76	11.20	13.50		
	EHD4X60A**	*9MPV125	TDR & TXV	48,000	0.76	11.20	13.50		
	^EHD4X60A**	MV16J22****	TDR & TXV	49,000	0.76	11.50	14.00		
	^EHD4X60A**	MV20N26****	TDR & TXV	49,000	0.76	11.50	14.00		
	EMA4X48D**	†	TXV	46,000	0.76	11.00		13.00	
	FEM4X48****			TDR & TXV	48,000	0.76	11.20	13.50	
	^FEM4X60****			TDR & TXV	49,000	0.76	11.50	14.00	
	FS(M,U)4X48****			TDR & TXV	47,500	0.76	11.00	13.00	
	FS(M,U)4X60****			TDR & TXV	48,000	0.76	11.00	13.00	
FVM4X48****			TDR & TXV	48,000	0.76	11.20	13.50		
^FVM4X60****			TDR & TXV	48,500	0.76	12.00	14.00		
C4A360GKA	ED*4X60J**	†	TXV	59,000	0.76	11.00		13.00	
	ED*4X60J**	*8MPV100	TDR & TXV	58,500	0.76	11.00	13.20		
	ED*4X60J**	MV16J22****	TDR & TXV	59,500	0.76	11.00	13.20		
	‡ED*4X60L**	†	TXV	59,500	0.76	11.00		13.00	
	ED*4X60L**	*9MPV125	TDR & TXV	57,500	0.76	11.00	13.20		
	EHD4X60A**	†	TXV	59,500	0.76	11.00		13.00	
	EHD4X60A**	*8MPV100	TDR & TXV	58,500	0.76	11.00	13.20		
	EHD4X60A**	*9MPV125	TDR & TXV	57,000	0.76	11.00	13.20		
	EHD4X60A**	MV16J22****	TDR & TXV	59,500	0.76	11.00	13.20		
	EHD4X60A**	MV20N26****	TDR & TXV	59,500	0.76	11.20	13.50		
FEM4X60****			TDR & TXV	60,500	0.76	11.00	13.20		
FS(M,U)4X60****			TDR & TXV	59,000	0.76	11.00	13.00		
FVM4X60****			TDR & TXV	60,000	0.76	11.00	13.50		

^ Indicates ENERGY STAR compliance for combinations with both: SEER 14.0 or higher and EER 11.5 or higher.

‡ For coils not listed with a matching furnace or blower, coil rating applies with any indoor blower device



This product has been designed and manufactured to meet ENERGY STAR criteria for energy efficiency when matched with appropriate coil components. However, proper refrigerant charge and proper air flow are critical to achieve rated capacity and efficiency. Installation of this product should follow the manufacturer's refrigerant charging and air flow instructions. Failure to confirm proper charge and airflow may reduce energy efficiency and shorten equipment life.

OUTDOOR UNIT MODEL NUMBER IDENTIFICATION GUIDE (single phase)											
Digit Position:	1	2	3	4	5, 6	7	8	9	10	11	12
Example Part Number:	<b>C</b>	<b>4</b>	<b>A</b>	<b>3</b>	<b>18</b>	<b>G</b>	<b>K</b>	<b>A</b>	<b>1</b>	<b>0</b>	<b>0</b>
C = Day & Night Mainline N = Day & Night Entry <b>BRANDING</b>											
2 = R-22 4 = R-410A <b>REFRIGERANT</b>											
A = Air Conditioner H = Heat Pump <b>TYPE</b>											
3 = 13 SEER 4 = 14 SEER 5 = 15 SEER 6 = 16 SEER 7 = 17 SEER 8 = 18 SEER <b>NOMINAL EFFICIENCY</b>											
18 = 18,000 BTUH = 1½ tons 24 = 24,000 BTUH = 2 tons 30 = 30,000 BTUH = 2½ tons 36 = 36,000 BTUH = 3 tons 42 = 42,000 BTUH = 3½ tons 48 = 48,000 BTUH = 4 tons 60 = 60,000 BTUH = 5 tons <b>NOMINAL CAPACITY</b>											
A = Standard Grille G = Coil Guard Grille C = Coastal <b>FEATURES</b>											
K = 208/230-1-60 <b>VOLTAGE</b>											
Sales Code											
Engineering Revision											
Extra Digit											
Extra Digit											

ACCESSORIES PART NUMBER IDENTIFICATION GUIDE									
Digit Position:	1	2	3	4	5	6, 7	8, 9	10, 11	
Example Part Number:	<b>N</b>	<b>A</b>	<b>S</b>	<b>A</b>	<b>0</b>	<b>01</b>	<b>01</b>	<b>CH</b>	
N = Non-Branded <b>BRANDING</b>									
A = Accessory <b>PRODUCT GROUP</b>									
S = Split System (AC & HP) <b>KIT USAGE</b>									
A = Original B = 2nd Generation <b>MAJOR SERIES</b>									
0 = Generic or Not Applicable 2 = R-22 4 = R-410A <b>REFRIGERANT</b>									
Product Identifier Number									
Package Quantity									
Type of Kit (Example: CH = Crankcase Heater)									

International Comfort Products, LLC  
 Lewisburg, Tennessee 37091 USA  
[www.GoDayandNight.com](http://www.GoDayandNight.com)