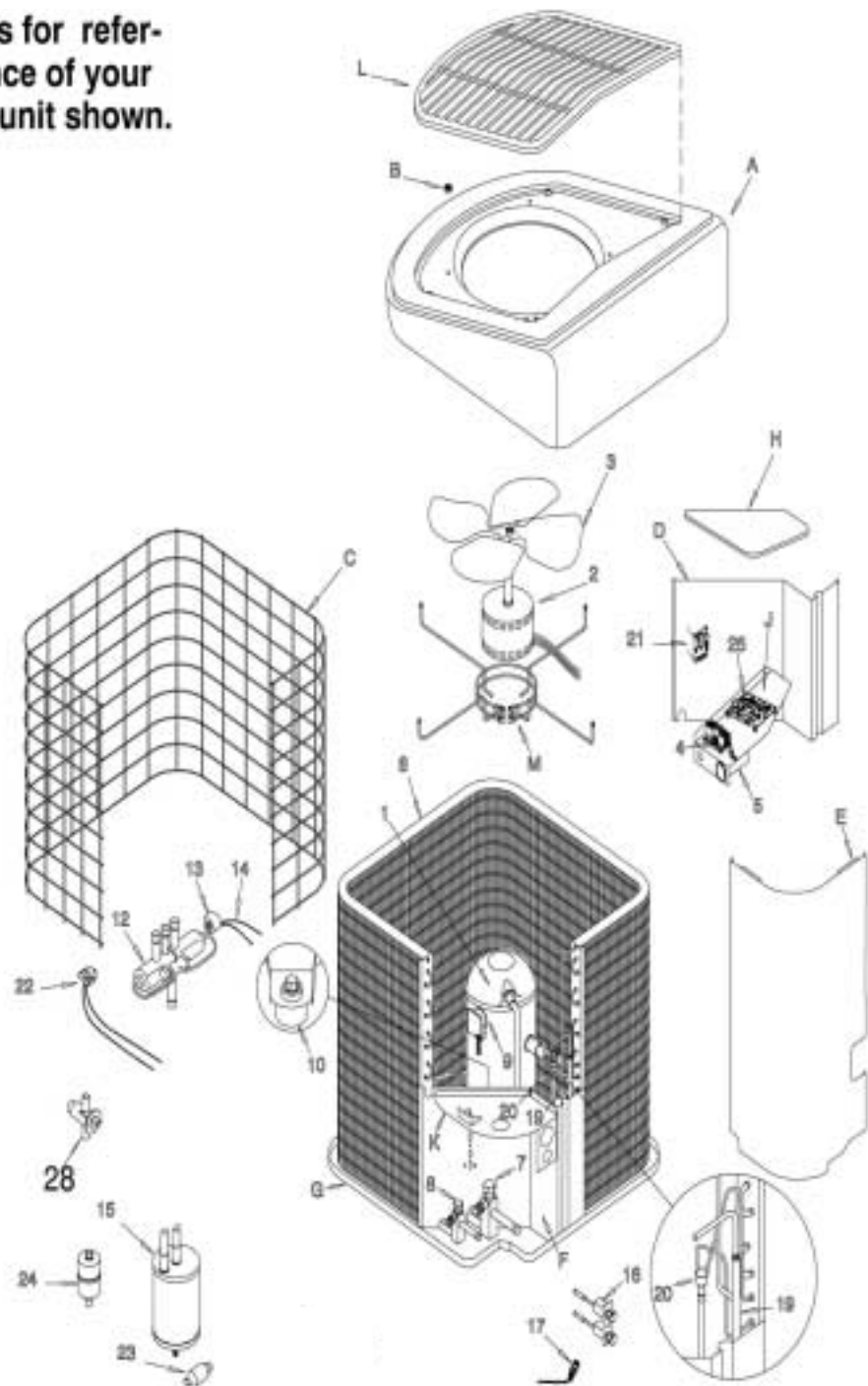


Replacement Parts - TCH218-260 AKC Series

NOTE: This illustration is for reference only. The appearance of your unit may differ from the unit shown.



381119HA

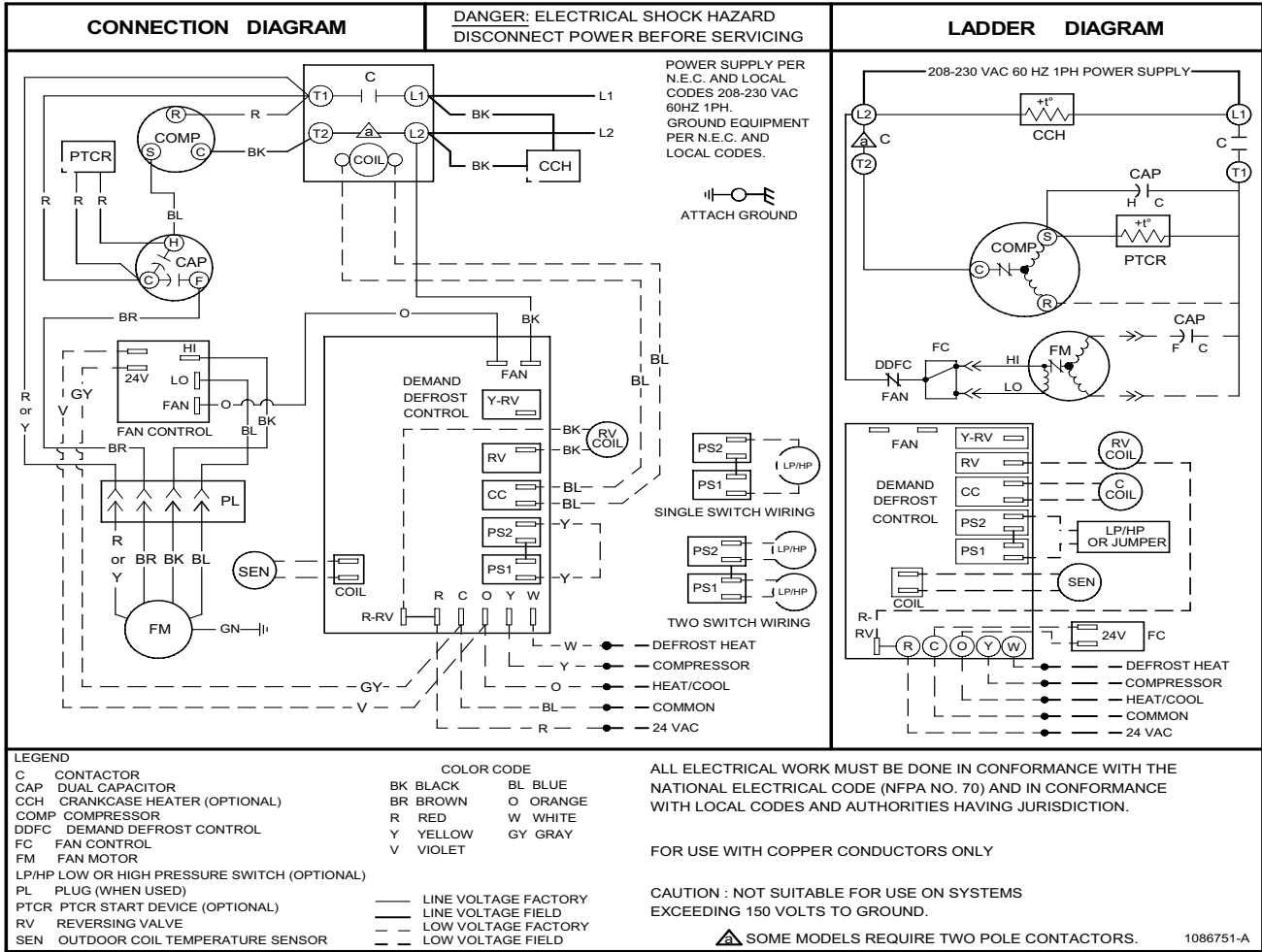
Wiring and Charging Labels - TCH218-260 AKC Series

KEY NO.	DESCRIPTION	PART NUMBER	TCH218AKC1	TCH224AKC1	TCH230AKC1	TCH236AKC1	TCH242AKC1	TCH248AKC1	TCH260AKC1
1	Compressor	ZR16K4PFV130	1						
1		ZR22K4PFV130	-	1					
1		ZR28K3PFV130	-	-	1				
1		ZR34K3PFV130	-	-	-	1			
1		ZR40K3PFV130	-	-	-	-	1		
1		ZR47K3PFV135	-	-	-	-	-	1	
1		ZR57K3PFV130	-	-	-	-	-	-	1
2	Motor, Condenser Fan	1087623	1	1	1				
2		1086402	-	-	-	1			
2		1087622	-	-	-	-	1	1	1
3	Fan Blade	1087752	1	1	1				
3		1086511	-	-	-	1			
3		1086514	-	-	-	-	1	1	
3		1086515	-	-	-	-	-	-	1
4	Contact, 25 Amp	1050699	1	1	1	1	1		
4	35 Amp	1050839	-	-	-	-	-	1	
4	40 Amp	1059574	-	-	-	-	-	-	1
5	Capacitor, 370 Volt. 5+30 Mfd	1086637	1						
5	370 Volt 5+35 Mfd	1086638	-	1					
5	370 Volt 5+45 Mfd	1086640	-	-	1				
5	370 Volt 5+50 Mfd	1086644	-	-	-	1			
5	370 Volt 7.5+55 Mfd	1086815	-	-	-	-	1		
5	440 Volt 7.5+60 Mfd	1086683	-	-	-	-	-	1	
5	370 Volt 7.5+80 Mfd	1086650	-	-	-	-	-	-	1
6	Condenser Coil	1088540	1						
6		1088581	-	1					
6		1088586	-	-	1				
6		1088548	-	-	-	1			
6		1088610	-	-	-	-	1		
6		1088623	-	-	-	-	-	1	1
7	Service Valve (Suction)	1085991	1	1	1	1			
7		1085988	-	-	-	-	1	1	
7		1086805	-	-	-	-	-	-	1
8	Service Valve (Liquid)	1085989	1	1	1	1	1	1	1
9	Plug, Compressor Harness	1083020	1	-	-	1			
9		1081939	-	1	1				
9		1081940	-	-	-	-	1	1	1
10	Grommet, Compressor	1052060	4	4	4	4	4	4	4
12	Valve, Reversing	34329020	1	1					
12		34329000	-	-	1	1			
12		34329002	-	-	-	-	1	1	
12		34329030	-	-	-	-	-	-	1
13	Coil, Reversing Valve	34329055	1	1	1	1	1	1	1
14	Harness, Reversing Valve Coil	1066711	1	1	1	1	1	1	1
15	Accumulator	1092835	1	1	1				
15		1172018	-	-	-	1			
15		1092904	-	-	-	-	1		
15		1061328	-	-	-	-	-	1	1
16	Port Valve Asy	1080998	1	1	1	1	1	1	1
17	Switch, Low Pressure	1081019	1	1	1	1	1	1	1
20	Distributor	1053086	1	-	1				
20		1053087	-	1					
20		1052793	-	-	-	1			
20		1087307	-	-	-	-	1		
20		1087553	-	-	-	-	-	1	
20		1088753	-	-	-	-	-	-	1
21	Control, Defrost	1087953	1	1	1	1	1	1	1
22	Sensor, Defrost Control	1086579	1	1	1	1	1	1	1
23	Muffler	1059730	1	1	1	1	1	1	1
24	Drier	1064507	1	1	1	1	1	1	1
25	Control, 2 Speed Fan	1086071	1	1	1	1	1	1	1
28	Valve, Expansion	1086997	1						
28		1081725	-	1					
28		1088746	-	-	1				
28		1088296	-	-	-	1			
28		1087157	-	-	-	-	1		
28		1088331	-	-	-	-	-	1	1

Wiring and Charging Labels - TCH218-260 AKC Series

KEY NO.	DESCRIPTION	PART NUMBER	TCH218AKC1	TCH224AKC1	TCH230AKC1	TCH236AKC1	TCH242AKC1	TCH248AKC1	TCH260AKC1
A	Panel, Top	1086063	1	1	1	1			
A		1086064	-	-	-	-	1	1	1
B	Nut, Flanged	1088180	4	4	4	4	4	4	4
C	Grille, Inlet	1086261	1						
C		1086228	-	1					
C		1086261	-	-	1				
C		1086262	-	-	-	1			
C		1086264	-	-	-	-	1		
C		1087095	-	-	-	-	-	1	1
D	Box, Control	1087550	1	1	1	1	1	1	1
E	Cover, Control Box	1087541	1	1	1	1	1	1	1
F	Panel, Corner	1087534	1	-	1				
		1087536	-	1					
		1087538	-	-	-	1			
		1087535	-	-	-	-	1		
F		1087539	-	-	-	-	-	1	1
G	Panel, Base	1086041	1	1	1	1			
G		1086060	-	-	-	-	1	1	1
H	Top, Control Box	1086045	1	1	1	1	1	1	1
J	Shelf, Control Box	1087926	1	1	1				
J		1087925	-	-	-	1	1	1	1
K	Bottom, Control Box	1087470	1	1	1	1	1	1	1
L	Grille, Top Discharge	1086065	1	1	1	1			
L		1086074	-	-	-	-	1	1	1
M	Mount, Motor	1086068	1	1	1	1			
M		1086072	-	-	-	-	1	1	1
)	Manual, Parts List	428033103	1	1	1	1	1	1	1
)	Manual, Owners	428023001	1	1	1	1	1	1	1
)	Manual, Installation	421013203	1	1	1	1	1	1	1

Wiring and Charging Labels - TCH218-260 AKC Series



Style No:	TCH218AKC	Outdoor Ambient Temperature - Degrees F. Dry Bulb																																		
		75							85							95							105							115						
		Entering Indoor Temperature - Degrees F. Wet Bulb																																		
Voltage	208/230																																			
Phase	1																																			
Ampacity	12.6																																			
Wire Ga/Ft	NEC																																			
Delay Fuse	20																																			
Max. Fuse	20																																			
Compressor	Copeland																																			
RLA	9																																			
LRA	41																																			
Cap MFD/V	--																																			
CC Heater	None																																			
Start Kit	None																																			
Fan Motor-HP	1/5																																			
Type	PSC																																			
FLA	1.4																																			
LRA	2.1																																			
RPM	1075																																			
Cap MFD/V																																				
PTCR	None																																			
Hi Press	227																																			
Low Press	83																																			
Low Amb	None																																			
Defrost	ElecTime-Temp																																			
Sensor																																				
Operating Chg (No Lines)*	(R-22Oz)																																			
Service Driers																																				
Liquid/Chg Suction																																				
Unit Weight	175																																			

Style No:	TCH218AKC	Outdoor Ambient Temperature - Degrees F. Dry Bulb													
		75							85						
		Heating													
Voltage	208/230														
Phase	1														
Ampacity	12.6														
Wire Ga/Ft	NEC														
Delay Fuse	20														
Max. Fuse	20														
Compressor	Copeland														
RLA	9														
LRA	41														
Cap MFD/V	--														
CC Heater	None														
Start Kit	None														
Fan Motor-HP	1/5														
Type	PSC														
FLA	1.4														
LRA	2.1														
RPM	1075														
Cap MFD/V															
PTCR	None														
Hi Press	227														
Low Press	83														
Low Amb	None														
Defrost	ElecTime-Temp														
Sensor															
Operating Chg (No Lines)*	(R-22Oz)														
Service Driers															
Liquid/Chg Suction															
Unit Weight	175														

*Add or Subtract (Oz per Ft) for Lines: .25oz - 1/4 Liq. .45oz - 5/16 Liq. .60oz - 3/8 Liq. 1.2 oz - 1/2 Liq

Part No: 108854

Wiring and Charging Labels - TCH218-260 AKC Series

Style No:	TCH224AKC		Outdoor Ambient Temperature - Degrees F. Dry Bulb																					
			75				85				95				105				115					
			Entering Indoor Temperature - Degrees F. Wet Bulb																					
Voltage	208/230	IDB	59	63	67	71	59	63	67	71	59	63	67	71	59	63	67	71	59	63	67	71		
Phase	1		75	MBh	21.5	22.2	24.0	25.8	21.0	21.7	23.4	25.2	20.5	21.1	22.9	24.5	19.5	20.1	21.7	23.3	18.1	18.6	20.1	21.6
Ampacity	20.2	S/T		0.87	0.78	0.59	0.38	0.89	0.80	0.60	0.39	0.92	0.82	0.62	0.40	0.95	0.85	0.65	0.42	0.96	0.86	0.65	0.42	
Wire Ga/Ft	NEC	AMPS		7.8	8.0	8.2	8.5	8.4	8.6	8.8	9.1	8.9	9.1	9.3	9.6	9.4	9.6	9.8	10.1	9.8	10.0	10.3	10.7	
Delay Fuse	30	80	HI PR	161	173	183	191	183	197	208	217	208	224	237	247	234	252	266	278	259	279	294	307	
Max. Fuse	30		LO PR	62	66	72	76	64	68	74	79	67	72	78	83	71	75	82	87	73	78	85	90	
Compressor	Copeland		MBh	21.9	22.4	23.9	25.6	21.4	21.9	23.4	25.0	20.9	21.3	22.8	24.4	19.8	20.3	21.7	23.2	18.4	18.8	20.1	21.4	
RLA	15	85	S/T	0.95	0.89	0.73	0.54	0.98	0.92	0.75	0.56	1.00	0.95	0.77	0.58	1.00	0.98	0.80	0.60	1.00	0.99	0.81	0.60	
LRA	54		AMPS	7.9	8.1	8.3	8.5	8.5	8.6	8.9	9.2	8.9	9.1	9.4	9.7	9.4	9.6	9.9	10.2	9.9	10.1	10.4	10.8	
Cap MFD/V	--		HI PR	162	175	185	192	185	199	210	219	210	226	239	249	237	255	269	280	261	281	297	310	
CC Heater	None	70	LO PR	62	66	72	77	65	69	75	80	68	72	79	84	71	76	83	88	74	78	86	91	
Start Kit	None		MBh	22.3	22.7	23.8	25.4	21.8	22.2	23.3	24.8	21.2	21.7	22.7	24.2	20.2	20.6	21.6	23.0	18.7	19.1	20.0	21.3	
Fan Motor-HP	1/5		S/T	1.00	0.96	0.87	0.71	1.00	0.99	0.89	0.72	1.00	1.00	0.92	0.75	1.00	1.00	0.96	0.78	1.00	1.00	0.96	0.78	
Type	PSC	75	AMPS	8.0	8.1	8.3	8.6	8.5	8.7	8.9	9.2	9.0	9.2	9.5	9.8	9.5	9.7	10.0	10.3	10.0	10.2	10.5	10.8	
FLA	1.4		HI PR	164	176	186	194	187	201	212	221	212	229	241	252	239	257	272	283	264	284	300	313	
LRA	2.1		LO PR	63	67	73	78	65	70	76	81	69	73	80	85	72	77	84	89	74	79	86	92	
RPM	1075	Calculated averaged performance data, for service applications for all matches. Part No: 1088855																						
Cap MFD/V	None	*Add or Subtract (Oz per Ft) for Lines: .25oz - 1/4 Liq, .45oz - 5/16 Liq, .60oz - 3/8 Liq, 1.2 oz - 1/2 Liq																						
PTCR	None																							
Hi Press	239																							
Low Press	79																							
Low Amb	None																							
Defrost	ElecTime-Temp																							
Sensor	None																							
Operating Chg (No Lines)*	(R-22Oz)																							
Service Driers	None																							
Liquid/Chg Suction	None																							
Unit Weight	198																							

Style No:	TCH230AKC		Outdoor Ambient Temperature - Degrees F. Dry Bulb																					
			75				85				95				105				115					
			Entering Indoor Temperature - Degrees F. Wet Bulb																					
Voltage	208/230	IDB	59	63	67	71	59	63	67	71	59	63	67	71	59	63	67	71	59	63	67	71		
Phase	1		75	MBh	27.2	28.0	30.3	32.6	26.6	27.4	29.6	31.8	25.9	26.7	28.9	31.0	24.6	25.4	27.4	29.5	22.8	23.5	25.4	27.3
Ampacity	25.3	S/T		0.85	0.76	0.57	0.37	0.87	0.78	0.59	0.38	0.90	0.80	0.61	0.39	0.93	0.83	0.63	0.40	0.94	0.84	0.63	0.41	
Wire Ga/Ft	NEC	AMPS		9.9	10.1	10.4	10.7	10.6	10.8	11.1	11.5	11.2	11.5	11.8	12.2	11.8	12.1	12.4	12.8	12.4	12.7	13.1	13.5	
Delay Fuse	40	80	HI PR	160	172	182	190	182	196	207	216	207	223	236	246	233	251	265	276	258	277	293	305	
Max. Fuse	40		LO PR	60	64	70	74	62	66	73	77	66	70	76	81	69	73	80	85	71	76	83	88	
Compressor	Copeland		MBh	27.7	28.3	30.2	32.3	27.0	27.6	29.5	31.6	26.4	27.0	28.8	30.8	25.1	25.6	27.4	29.2	23.2	23.7	25.3	27.1	
RLA	19.1	85	S/T	0.93	0.87	0.71	0.53	0.95	0.89	0.73	0.54	0.98	0.92	0.75	0.56	1.00	0.96	0.78	0.58	1.00	0.96	0.78	0.59	
LRA	72.5		AMPS	10.0	10.2	10.5	10.8	10.7	10.9	11.2	11.6	11.3	11.6	11.9	12.3	11.9	12.2	12.5	12.9	12.5	12.8	13.2	13.6	
Cap MFD/V	--		HI PR	162	174	184	192	184	198	209	218	209	225	238	248	236	254	268	279	260	280	296	309	
CC Heater	None	70	LO PR	61	65	71	75	63	67	73	78	66	71	77	82	69	74	81	86	72	76	83	89	
Start Kit	None		MBh	28.2	28.7	30.1	32.1	27.5	28.0	29.4	31.3	26.8	27.4	28.7	30.6	25.5	26.0	27.2	29.0	23.6	24.1	25.2	26.9	
Fan Motor-HP	1/5		S/T	0.97	0.94	0.85	0.69	1.00	0.96	0.87	0.71	1.00	0.99	0.90	0.73	1.00	1.00	0.93	0.76	1.00	1.00	0.94	0.76	
Type	PSC	75	AMPS	10.1	10.3	10.5	10.9	10.8	11.0	11.3	11.7	11.4	11.6	12.0	12.4	12.0	12.3	12.6	13.0	12.6	12.9	13.3	13.7	
FLA	1.4		HI PR	163	176	186	194	186	200	211	220	212	228	240	251	238	256	270	282	263	283	299	312	
LRA	2.1		LO PR	61	65	71	76	64	68	74	79	67	71	78	83	70	75	82	87	73	77	84	90	
RPM	1075	Calculated averaged performance data, for service applications for all matches. Part No: 1088856																						
Cap MFD/V	None	*Add or Subtract (Oz per Ft) for Lines: .25oz - 1/4 Liq, .45oz - 5/16 Liq, .60oz - 3/8 Liq, 1.2 oz - 1/2 Liq																						
PTCR	None																							
Hi Press	238																							
Low Press	77																							
Low Amb	None																							
Defrost	ElecTime-Temp																							
Sensor	None																							
Operating Chg (No Lines)*	(R-22Oz)																							
Service Driers	None																							
Liquid/Chg Suction	None																							
Unit Weight	202																							

Wiring and Charging Labels - TCH218-260 AKC Series

Style No:	TCH236AKC		Outdoor Ambient Temperature - Degrees F. Dry Bulb																			
Voltage Phase Ampacity Wire Ga/Ft Delay Fuse Max. Fuse Compressor RLA LRA Cap MFD/V CC Heater Start Kit Fan Motor-HP Type FLA LRA RPM Cap MFD/V PTCR Hi Press Low Press Low Amb Defrost Sensor Operating Chg (No Lines)* Service Driers Liquid/Chg Suction Unit Weight	208/230 1 22.9 NEC 40 40 Copeland 16.8 88 -- None None 1/3 PSC 1.4 3.9 1075 None 242 79 None ElecTime-Temp (R-22Oz)	IDB	75				85				95				105				115			
			Entering Indoor Temperature - Degrees F. Wet Bulb																			
			59	63	67	71	59	63	67	71	59	63	67	71	59	63	67	71	59	63	67	71
MBh	32.1	33.1	35.8	38.4	31.4	32.3	35.0	37.5	30.6	31.5	34.1	36.6	29.1	29.9	32.4	34.8	26.9	27.7	30.0	32.2		
S/T	0.85	0.76	0.57	0.37	0.87	0.78	0.59	0.38	0.90	0.80	0.61	0.39	0.93	0.83	0.63	0.40	0.94	0.84	0.63	0.41		
AMPS	12.2	12.4	12.8	13.2	13.1	13.3	13.7	14.1	13.8	14.1	14.5	15.0	14.6	14.9	15.3	15.8	15.3	15.6	16.1	16.6		
HI PR	163	175	185	193	185	199	210	219	211	227	240	250	237	255	270	281	262	282	298	311		
LO PR	62	66	72	76	64	68	74	79	67	72	78	83	71	75	82	87	73	78	85	90		
MBh	32.7	33.4	35.7	38.2	31.9	32.6	34.9	37.3	31.1	31.8	34.0	36.3	29.6	30.2	32.3	34.5	27.4	28.0	29.9	32.0		
S/T	0.93	0.87	0.71	0.53	0.95	0.89	0.73	0.54	0.98	0.92	0.75	0.56	1.00	0.96	0.78	0.58	1.00	0.96	0.78	0.59		
AMPS	12.3	12.5	12.9	13.3	13.2	13.4	13.8	14.2	13.9	14.2	14.6	15.1	14.7	15.0	15.4	15.9	15.4	15.7	16.2	16.7		
HI PR	164	177	187	193	187	201	212	222	213	229	242	252	240	258	272	284	265	285	301	314		
LO PR	62	66	72	77	65	69	75	80	68	72	79	84	71	76	83	88	74	78	86	91		
MBh	33.3	33.9	35.5	37.9	32.5	33.1	34.7	37.0	31.7	32.3	33.8	36.1	30.1	30.7	32.1	34.3	27.9	28.4	29.8	31.8		
S/T	0.97	0.94	0.85	0.69	1.00	0.96	0.87	0.71	1.00	0.99	0.90	0.73	1.00	1.00	0.93	0.76	1.00	1.00	0.94	0.76		
AMPS	12.4	12.6	13.0	13.4	13.3	13.5	13.9	14.4	14.0	14.3	14.7	15.2	14.8	15.1	15.5	16.0	15.5	15.9	16.3	16.9		
HI PR	166	179	189	197	189	203	215	224	215	231	244	255	242	260	275	287	267	288	304	317		
LO PR	63	67	73	78	65	70	76	81	69	73	80	85	72	77	84	89	74	79	86	92		
Outdoor Ambient Temperature - Degrees F. Dry Bulb																						
MBh	45.3	42.8	40.4	37.7	36.0	34.9	32.4	29.9	26.4	24.4	22.5	21.2	20.4	18.3	16.2	14.2	12.1	9.9				
T/R	35.1	33.2	31.3	29.2	27.9	27.1	25.1	23.2	20.5	18.9	17.4	16.4	15.8	14.2	12.6	11.0	9.4	7.7				
KW	3.6	3.5	3.4	3.4	3.3	3.3	3.2	3.2	3.2	3.1	3.0	3.0	2.9	2.9	2.8	2.7	2.7	2.7	2.6			
AMPS	17.8	16.6	15.7	14.9	14.4	14.2	13.5	12.9	12.4	12.0	11.5	11.3	11.2	10.7	10.1	9.6	9.1	8.4				
COP	3.73	3.60	3.45	3.29	3.18	3.11	2.94	2.77	2.45	2.31	2.18	2.08	2.03	1.86	1.69	1.51	1.32	1.11				
EER	12.7	12.3	11.8	11.2	10.9	10.6	10.1	9.5	8.4	7.9	7.4	7.1	6.9	6.4	5.8	5.2	4.5	3.8				
HI PR	275	264	254	243	237	232	223	214	205	196	188	184	181	174	167	160	155	149				
LO PR	76	70	66	60	57	55	50	45	41	36	32	30	29	24	21	18	15	12				
Calculated averaged performance data, for service applications for all matches.																						
Part No:																1088857						
*Add or Subtract (Oz per Ft) for Lines: .25oz -1/4 Liq. .45oz- 5/16 Liq. .60oz - 3/8 Liq. 1.2 oz - 1/2 Liq																						

Style No:	TCH242AKC		Outdoor Ambient Temperature - Degrees F. Dry Bulb																			
Voltage Phase Ampacity Wire Ga/Ft Delay Fuse Max. Fuse Compressor RLA LRA Cap MFD/V CC Heater Start Kit Fan Motor-HP Type FLA LRA RPM Cap MFD/V PTCR Hi Press Low Press Low Amb Defrost Sensor Operating Chg (No Lines)* Service Driers Liquid/Chg Suction Unit Weight	208/230 1 33.8 NEC 50 50 Copeland 25.8 104 -- None None 1/4 PSC 1.5 2.9 840 None 237 79 None ElecTime-Temp (R-22Oz)	IDB	75				85				95				105				115			
			Entering Indoor Temperature - Degrees F. Wet Bulb																			
			59	63	67	71	59	63	67	71	59	63	67	71	59	63	67	71	59	63	67	71
MBh	38.3	39.4	42.7	45.8	37.4	38.5	41.6	44.7	36.5	37.5	40.6	43.6	34.6	35.7	38.6	41.4	32.1	33.0	35.7	38.4		
S/T	0.87	0.78	0.59	0.38	0.89	0.80	0.60	0.39	0.92	0.82	0.62	0.40	0.95	0.85	0.65	0.42	0.96	0.86	0.65	0.42		
AMPS	14.1	14.3	14.7	15.2	15.1	15.4	15.8	16.3	15.9	16.2	16.7	17.2	16.8	17.1	17.6	18.2	17.6	18.0	18.5	19.1		
HI PR	159	172	181	189	181	195	206	215	206	222	235	245	232	250	264	275	257	276	292	304		
LO PR	62	66	72	76	64	68	74	79	67	72	78	83	71	75	82	87	73	78	85	90		
MBh	39.0	39.8	42.5	45.5	38.0	38.9	41.5	44.4	37.1	37.9	40.5	43.3	35.2	36.0	38.5	41.1	32.6	33.4	35.6	38.1		
S/T	0.95	0.89	0.73	0.54	0.98	0.92	0.75	0.56	1.00	0.95	0.77	0.58	1.00	0.98	0.80	0.60	1.00	0.99	0.81	0.60		
AMPS	14.2	14.4	14.8	15.3	15.2	15.5	15.9	16.4	16.0	16.4	16.8	17.4	16.9	17.2	17.7	18.3	17.7	18.1	18.6	19.3		
HI PR	161	173	183	191	183	197	208	217	209	224	237	247	235	252	267	278	259	279	295	307		
LO PR	62	66	72	77	65	69	75	80	68	72	79	84	71	76	83	88	74	78	86	91		
MBh	39.6	40.4	42.3	45.1	38.7	39.4	41.3	44.1	37.7	38.5	40.3	43.0	35.9	36.6	38.3	40.8	33.2	33.9	35.5	37.8		
S/T	1.00	0.96	0.87	0.71	1.00	0.99	0.89	0.72	1.00	1.00	0.92	0.75	1.00	1.00	0.96	0.78	1.00	1.00	0.96	0.78		
AMPS	14.3	14.6	15.0	15.4	15.3	15.6	16.0	16.5	16.2	16.5	17.0	17.5	17.0	17.4	17.9	18.5	17.9	18.3	18.8	19.4		
HI PR	163	175	185	193	185	199	210	219	211	227	239	250	237	255	269	281	262	282	298	310		
LO PR	63	67	73	78	65	70	76	81	69	73	80	85	72	77	84	89	74	79	86	92		
Outdoor Ambient Temperature - Degrees F. Dry Bulb																						
MBh	49.7	47.0	44.3	41.4	39.5	38.3	35.6	32.8	32.1	29.7	27.3	25.8	24.8	22.3	19.8	17.2	14.7	12.0				
T/R	33.0	31.2	29.4	27.5	26.2	25.4	23.6	21.8	21.3	19.7	18.1	17.1	16.5	14.8	13.1	11.4	9.8	8.0				
KW	4.1	4.0	3.9	3.8	3.8	3.8	3.7	3.6	3.6	3.5	3.4	3.4	3.4	3.3	3.2	3.1	3.0	3.0				
AMPS	20.3	19.0	17.9	17.0	16.5	16.2	15.4	14.8	14.3	13.7	13.2	12.9	12.8	12.3	11.6	11.1	10.4	9.6				
COP	3.57	3.45	3.31	3.16	3.05	2.98	2.82	2.66	2.63	2.48	2.33	2.23	2.17	1.99	1.81	1.62	1.41	1.19				
EER	12.2	11.8	11.3	10.8	10.4	10.2	9.6	9.1	9.0	8.5	8.0	7.6	7.4	6.8	6.2	5.5	4.8	4.1				
HI PR	257	246	237	226	221	217	208	200	192	183	176	171	168	162	156	149	144	139				
LO PR	69	64	60	55	52	50	46	41	37	33	29	27	26	22	19	16	14	11				
Calculated averaged performance data, for service applications for all matches.																						
Part No:																1088858						
*Add or Subtract (Oz per Ft) for Lines: .25oz -1/4 Liq. .45oz- 5/16 Liq. .60oz - 3/8 Liq. 1.2 oz - 1/2 Liq																						

Wiring and Charging Labels - TCH218-260 AKC Series

Style No:	TCH248AKC	Outdoor Ambient Temperature - Degrees F. Dry Bulb																			
		75				85				95				105				115			
		Entering Indoor Temperature - Degrees F. Wet Bulb																			
IDB		59	63	67	71	59	63	67	71	59	63	67	71	59	63	67	71	59	63	67	71
Voltage	208/230																				
Phase	1																				
Ampacity	30.1																				
Wire Ga/Ft	NEC																				
Delay Fuse	50																				
Max. Fuse	50																				
Compressor	Copeland																				
RLA	22.9																				
LRA	137																				
Cap MFD/V	--																				
CC Heater	None																				
Start Kit	None																				
Fan Motor-HP	1/4																				
Type	PSC																				
FLA	1.5																				
LRA	2.9																				
RPM	840																				
Cap MFD/V																					
PTCR	None																				
Hi Press	247																				
Low Press	75																				
Low Amb	None																				
Defrost	ElecTime-Temp																				
Sensor																					
Operating Chg (No Lines)*	(R-22Oz)																				
Service Driers																					
Liquid/Chg																					
Suction																					
Unit Weight	275																				

Calculated averaged performance data, for service applications for all matches. Part No: 1088859

*Add or Subtract (Oz per Ft) for Lines: .25oz -1/4 Liq, .45oz- 5/16 Liq, .60oz - 3/8 Liq, 1.2 oz - 1/2 Liq

Style No:	TCH260AKC	Outdoor Ambient Temperature - Degrees F. Dry Bulb																			
		75				85				95				105				115			
		Entering Indoor Temperature - Degrees F. Wet Bulb																			
IDB		59	63	67	71	59	63	67	71	59	63	67	71	59	63	67	71	59	63	67	71
Voltage	208/230																				
Phase	1																				
Ampacity	37.6																				
Wire Ga/Ft	NEC																				
Delay Fuse	60																				
Max. Fuse	60																				
Compressor	Copeland																				
RLA	28.9																				
LRA	148																				
Cap MFD/V	--																				
CC Heater	None																				
Start Kit	None																				
Fan Motor-HP	1/4																				
Type	PSC																				
FLA	1.5																				
LRA	2.9																				
RPM	840																				
Cap MFD/V																					
PTCR	None																				
Hi Press	257																				
Low Press	75.6																				
Low Amb	None																				
Defrost	ElecTime-Temp																				
Sensor																					
Operating Chg (No Lines)*	(R-22Oz)																				
Service Driers																					
Liquid/Chg																					
Suction																					
Unit Weight	302																				

Calculated averaged performance data, for service applications for all matches. Part No: 1088860

*Add or Subtract (Oz per Ft) for Lines: .25oz -1/4 Liq, .45oz- 5/16 Liq, .60oz - 3/8 Liq, 1.2 oz - 1/2 Liq