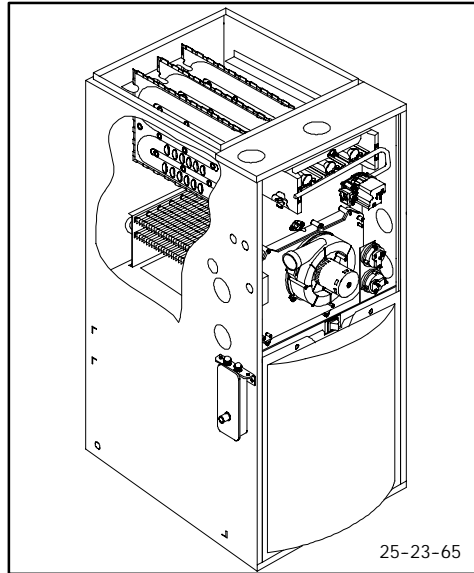


**Deluxe 90**



Representative drawing only, some models may vary in appearance.

**WARNING**  
This furnace is not designed for use inside mobile homes, trailers, or recreational vehicles. Such use could result in property damage, bodily injury, and/or death.

**Dealer/Contractor**

**Flexibility**

- Dual certified venting (1 or 2 pipes) Direct Vent furnace
- 40" high with wider cabinets, for noise reduction and ease of installation.
- Factory shipped as natural gas, with LP Gas conversion kits available.
- Four position - upflow/downflow/horizontal installation.
- Vent pipe can be run horizontally or vertically.

**Service**

- Self diagnostics.
- Entire blower assembly mounted on rails.

**Homeowner**

**Quality**

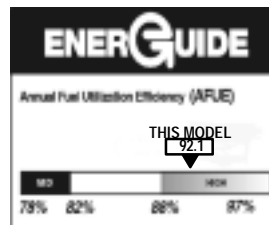
- RPJ III Stainless steel heat exchanger.
- Stainless steel secondary heat exchanger.
- Lifetime limited warranty on heat exchangers and 5 years on parts.
- High temperature limit control prevents overheating.
- Hot surface pilot ignition device.
- Flame roll-out sensors standard.
- Solid doors.

**Comfort**

- Adjustable timed blower Off delay.
- Thermal lined, one piece steel cabinet for noise reduction.
- Humidifier terminal
- Electronic air cleaner terminal.
- Insulated blower compartment.

**Efficiency**

- 92.1% AFUE efficiency range.
- Single stage gas valve operation.
- Single stage fan timer.
- Multispeed, prelubricated PSC blower motors.
- Induced draft blower.
- In-shot burners.



## FURNACE SPECIFICATIONS

| Model Number                   | NATURAL GAS | ^9MPD050F12                         | ^9MPD075F12                         | ^9MPD080J16                         | ^9MPD100J14                         | ^9MPD100J20                         | ^9MPD125L20                         |
|--------------------------------|-------------|-------------------------------------|-------------------------------------|-------------------------------------|-------------------------------------|-------------------------------------|-------------------------------------|
| INPUT (btuh)                   |             | 50,000                              | 75,000                              | 80,000                              | 100,000                             | 100,000                             | 125,000                             |
| HTG. CAP. (btuh)               |             | 45,500                              | 67,500                              | 72,000                              | 90,000                              | 90,000                              | 113,125                             |
| AFUE % (ICS)                   |             | 92.1                                | 92.1                                | 92.1                                | 92.1                                | 92.1                                | 92.1                                |
| ALTERNATE INPUT BTUH           |             | 40,000                              | 60,000                              | NA                                  | 80,000                              | 80,000                              | 100,00                              |
| ALTERNATE OUTPUT BTUH          |             | 36,400                              | 54,000                              | NA                                  | 72,000                              | 72,000                              | 90,500                              |
| CSE %                          |             | 84.9                                | 85.1                                | 85.5                                | 85.5                                | 85.5                                | 85.2                                |
| NOx (Ng/J)                     |             | <40                                 | <40                                 | <40                                 | <40                                 | <40                                 | <40                                 |
| TEMP. RISE (deg. F)            |             | 35-65                               | 40-70                               | 35-65                               | 40-70                               | 40-70                               | 40-70                               |
| VOLTS/PH/Hz                    |             | 115/60/1                            | 115/60/1                            | 115/60/1                            | 115/60/1                            | 115/60/1                            | 115/60/1                            |
| MIN./MAX. VOLTAGE              |             | 97/132                              | 97/132                              | 97/132                              | 97/132                              | 97/132                              | 97/132                              |
| F.L.A.                         |             | 9.8                                 | 8.9                                 | 9.0                                 | 9.0                                 | 10.5                                | 11.2                                |
| TRANSFORMER (V.A.)             |             | 40                                  | 40                                  | 40                                  | 40                                  | 40                                  | 40                                  |
| GAS PIPE SIZE (IN.)            |             | 1/2                                 | 1/2                                 | 1/2                                 | 1/2                                 | 1/2                                 | 1/2                                 |
| VENT SIZE^                     |             | 2" or 3" OD                         | 2" or 3" OD                         | 2" or 3" OD                         | 3" OD                               | 3" OD                               | 3" OD                               |
| COOLING CAP.                   |             | 3.0                                 | 3.0                                 | 4.0                                 | 3.5                                 | 5.0                                 | 5.0                                 |
| HIGH ALTITUDE PRESSURE SWITCH  |             | 1013803                             | 1013803                             | 1013813                             | 1013803                             | 1013803                             | 1013157                             |
| FILTER SIZE (IN.) (1 required) |             | 16X25X1                             | 16X25X1                             | 16X25X1                             | 16X25X1                             | 16X25X1(2)                          | 16X25X1(2)                          |
| DIMENSIONS (in.) HEIGHT        |             | 40                                  | 40                                  | 40                                  | 40                                  | 40                                  | 40                                  |
| WIDTH X DEPTH                  |             | 19 <sup>1</sup> / <sub>8</sub> x 29 | 19 <sup>1</sup> / <sub>8</sub> x 29 | 22 <sup>3</sup> / <sub>4</sub> x 29 | 22 <sup>3</sup> / <sub>4</sub> x 29 | 22 <sup>3</sup> / <sub>4</sub> x 29 | 24 <sup>1</sup> / <sub>2</sub> x 29 |
| WEIGHT (Lbs.)                  |             | 150                                 | 153                                 | 172                                 | 172                                 | 180                                 | 193                                 |

^ Vent size may vary depending on length, number of elbows, standard vent or direct vent. See Installation Instructions.

## BLOWER PERFORMANCE

| Model Number         | NATURAL GAS | ^9MPD050F12                     | ^9MPD075F12                     | ^9MPD080J16                     | ^9MPD100J14                     | ^9MPD100J20                     | ^9MPD125L20                     |
|----------------------|-------------|---------------------------------|---------------------------------|---------------------------------|---------------------------------|---------------------------------|---------------------------------|
| BLOWER TYPE AND SIZE |             | 11-8                            | 11-10                           | 11-10                           | 11-10                           | 11-10                           | 11-10                           |
| MOTOR H.P. (TYPE)    |             | <sup>1</sup> / <sub>2</sub> PSC | <sup>1</sup> / <sub>2</sub> PSC | <sup>1</sup> / <sub>2</sub> PSC | <sup>1</sup> / <sub>2</sub> PSC | <sup>3</sup> / <sub>4</sub> PSC | <sup>3</sup> / <sub>4</sub> PSC |
| MOTOR SPEEDS         |             | 4                               | 4                               | 4                               | 4                               | 4                               | 4                               |

## AIRFLOW DATA

|                  |             |      |      |      |      |      |      |
|------------------|-------------|------|------|------|------|------|------|
| .10 ESP IN. W.C. | LOW         | 826  | 706  | 823  | 700  | 1682 | 1720 |
|                  | MEDIUM LOW  | 1083 | 917  | 1109 | 912  | 1870 | 1910 |
|                  | MEDIUM HIGH | 1301 | 1163 | 1527 | 1209 | 2081 | 2127 |
|                  | HIGH        | 1408 | 1368 | 1850 | 1550 | 2263 | 2315 |
| .20 ESP IN. W.C. | LOW         | 804  | 677  | 795  | 660  | 1654 | 1686 |
|                  | MEDIUM LOW  | 1050 | 875  | 1087 | 884  | 1826 | 1881 |
|                  | MEDIUM HIGH | 1242 | 1120 | 1482 | 1171 | 2031 | 2087 |
|                  | HIGH        | 1347 | 1319 | 1791 | 1492 | 2193 | 2268 |
| .30 ESP IN. W.C. | LOW         | 770  | 636  | 747  | 616  | 1597 | 1644 |
|                  | MEDIUM LOW  | 1028 | 840  | 1056 | 843  | 1775 | 1833 |
|                  | MEDIUM HIGH | 1195 | 1076 | 1426 | 1139 | 1963 | 2024 |
|                  | HIGH        | 1295 | 1283 | 1720 | 1434 | 2165 | 2201 |
| .40 ESP IN. W.C. | LOW         | 735  | 595  | 677  | 575  | 1547 | 1600 |
|                  | MEDIUM LOW  | 985  | 812  | 1016 | 790  | 1719 | 1777 |
|                  | MEDIUM HIGH | 1153 | 1031 | 1382 | 1088 | 1899 | 1961 |
|                  | HIGH        | 1237 | 1202 | 1648 | 1378 | 2056 | 2131 |
| .50 ESP IN. W.C. | LOW         | 698  | 546  | 617  | 528  | 1498 | 1533 |
|                  | MEDIUM LOW  | 952  | 766  | 970  | 735  | 1653 | 1720 |
|                  | MEDIUM HIGH | 1093 | 987  | 1317 | 1040 | 1825 | 1891 |
|                  | HIGH        | 1183 | 1148 | 1575 | 1317 | 1978 | 2029 |
| .60 ESP IN. W.C. | LOW         | 657  | 490  | 544  | 472  | 1428 | 1494 |
|                  | MEDIUM LOW  | 909  | 702  | 854  | 677  | 1583 | 1647 |
|                  | MEDIUM HIGH | 1040 | 889  | 1245 | 979  | 1737 | 1804 |
|                  | HIGH        | 1118 | 1077 | 1485 | 1247 | 1854 | 1948 |
| .70 ESP IN. W.C. | LOW         | ---  | ---  | ---  | ---  | 1355 | 1413 |
|                  | MEDIUM LOW  | 863  | 630  | 763  | 608  | 1503 | 1571 |
|                  | MEDIUM HIGH | 935  | 821  | 1154 | 909  | 1650 | 1708 |
|                  | HIGH        | 1053 | 989  | 1401 | 1161 | 1757 | 1820 |

\* Denotes Brand (T, H or C)

SPECIFICATIONS SUBJECT TO CHANGE WITHOUT NOTICE

# MODEL NUMBER IDENTIFICATION GUIDE

|  |   |    |   |     |   |    |   |   |  |
|--|---|----|---|-----|---|----|---|---|--|
| <b>Brand Identifier</b><br>* = Brand Specific  | 9 | MP | D | 075 | F | 12 | A | # | <b>Engineering Rev.</b><br>Denotes minor changes   |
| <b>Model Identifier</b><br>8 = Non-Condensing, 80+% Gas Furnace<br>9 = Condensing, 90+% Gas Furnace  |   |    |   |     |   |    |   |   | <b>Marketing Digit</b><br>Denotes minor change   |
| <b>Installation Configuration</b><br>UP = Upflow    DN = Downflow    UH = Upflow/Horizontal<br>HZ = Horizontal    DH = Downflow/Horizontal<br>MP = Multiposition, Up/Down/Horizontal |   |    |   |     |   |    |   |   | <b>Cooling Airflow</b><br>08 = 800 CFM<br>12 = 1200 CFM<br>14 = 1400 CFM<br>16 = 1600 CFM<br>20 = 2000 CFM |
| <b>Major Design Feature</b><br>1 = One (Single) Pipe    N = Single Stage<br>2 = Two Pipe    P = PVC Vent<br>D = 1 or 2 Pipe    T = Two Stage<br>L = Low NOx    V = Variable Speed    |   |    |   |     |   |    |   |   | <b>Cabinet Width</b><br>B = 15.5" Wide    J = 22.8" Wide<br>F = 19.1" Wide    L = 24.5" Wide               |
|  |   |    |   |     |   |    |   |   | <b>Input (Nominal MBTUH)</b>   |

# DIMENSIONS

ALL DIMENSIONS IN INCHES

| TOP | BOT. | RH | LH | BACK | FRNT | FLUE |
|-----|------|----|----|------|------|------|
| 1"  | 0"   | 0" | 0" | 0"   | 3"   | 0"   |

| Unit Capacity | Cabinet                        |                                | Bottom                         | Top                           |                                |
|---------------|--------------------------------|--------------------------------|--------------------------------|-------------------------------|--------------------------------|
|               | A                              | B                              | D                              | G                             | H                              |
| *9MPD050F12A  | 19 <sup>1</sup> / <sub>8</sub> | 17 <sup>5</sup> / <sub>8</sub> | 14 <sup>3</sup> / <sub>4</sub> | 2 <sup>1</sup> / <sub>2</sub> | 9 <sup>1</sup> / <sub>2</sub>  |
| *9MPD075F12A  | 19 <sup>1</sup> / <sub>8</sub> | 17 <sup>5</sup> / <sub>8</sub> | 14 <sup>3</sup> / <sub>4</sub> | 2 <sup>1</sup> / <sub>2</sub> | 9 <sup>1</sup> / <sub>2</sub>  |
| *9MPD080J16A  | 22 <sup>3</sup> / <sub>4</sub> | 21 <sup>1</sup> / <sub>4</sub> | 18 <sup>3</sup> / <sub>4</sub> | 2 <sup>5</sup> / <sub>8</sub> | 11 <sup>3</sup> / <sub>8</sub> |
| *9MPD100J14A  | 22 <sup>3</sup> / <sub>4</sub> | 21 <sup>1</sup> / <sub>4</sub> | 18 <sup>3</sup> / <sub>4</sub> | 2 <sup>5</sup> / <sub>8</sub> | 11 <sup>3</sup> / <sub>8</sub> |
| *9MPD100J20A  | 22 <sup>3</sup> / <sub>4</sub> | 21 <sup>1</sup> / <sub>4</sub> | 18 <sup>3</sup> / <sub>4</sub> | 2 <sup>5</sup> / <sub>8</sub> | 11 <sup>3</sup> / <sub>8</sub> |
| *9MPD125L20A  | 24 <sup>1</sup> / <sub>2</sub> | 23                             | 23                             | 2 <sup>1</sup> / <sub>4</sub> | 12 <sup>1</sup> / <sub>4</sub> |

\* Denotes Brand (T, H or C)

25-23-36A

## ACCESSORIES

| Model Number           | Description   | Used With Models  |
|------------------------|---|---|
| NAHA003WK              | Twinning Kit - Allows operation of two identical-size model furnaces.   | All *9MPD Furnaces  |
| NAHF002LP<br>1009509 ^ | Gas Conversion Kits - Natural gas to LP (propane) conversion Kit. Allows field conversion to LP (propane) gas.                              | *9MPD   |
| NAHF002NG<br>1009510 ^ | Gas Conversion Kits - LP (Propane) to natural gas conversion kit. Allows field conversion to natural gas.                                   | *9MPD   |
| NAHF003NG<br>1013816 ^ | Gas Conversion Kits - LP (Propane) to natural gas conversion kit. Allows field conversion to natural gas.                                   | *9MD2080  |
| NAHF003LP<br>1013815 ^ | Gas Conversion Kits - Natural gas to LP (Propane) conversion kit. Allows field conversion to LP (Propane) gas. Includes LP Pressure Switch. | *9MPD080  |
| NAHK001LF<br>1009910 ^ | Alternate Input Kit (Nat Gas).<br>Derates input by 20%  | All *9MPD Models  |
| NAHK002LF<br>1009911 ^ | Alternate Input Kit (LP Gas).<br>Derates input by 20%   | All *9MPD Models  |
| NAHA001PS<br>1009522 ^ | LP Low Pressure Switch - For detecting low line pressure. Opens at 6.5" W.C. (included in NAHF002LP)  | All LP *9MPD Models   |
| NAHA001FF              | Filter Kits - External filter frame. 16" x 25"  | Side Return (All Furnaces) Bottom Return (All "F" 19 <sup>1</sup> / <sub>8</sub> " Furnaces under 1650 CFM)   |
| NAHA001FP              | External filter frame. 16" x 25" (Bulk Pack Kit - Qty 10)   |   |
| NAHA002FF              | Filter Kits - Bottom return filter frame kit 20" x 25"  | (All "J" 22 <sup>3</sup> / <sub>4</sub> " Furnaces)   |
| NAHA002FP              | Bottom return filter frame kit 20" x 25" (Bulk Pack Kit - Qty 10)   |   |
| NAHA003FF              | Filter Kits - Bottom or side return filter frame kit 14" x 25".   | (All "B" 15 <sup>1</sup> / <sub>2</sub> " Furnaces)   |
| NAHA003FP              | Bottom or side return filter frame kit 14" x 25" (Bulk Pack Kit - Qty 10)   |   |
| NAHA001TK              | Duct Standoff Filter Kit. To adapt 20" x 25" filter for single side return.   | Side Return (All single return applications with 1650 CFM or greater)<br>Bottom Return (All "F" 19 <sup>1</sup> / <sub>8</sub> " Furnaces under 1650 CFM) |
| NAHA001NK<br>612833 ^  | Condensate neutralizer kit - for condensing gas furnaces  | All *9MPD Furnaces If Required  |
| NAHH002SB              | Combustible Floor Subbase - Furnace ONLY: All 19 <sup>1</sup> / <sub>4</sub> " wide furnace models  | *9MPD050/075/080  |
| NAHH003SB              | Combustible Floor Subbase - Furnace ONLY: All 22 <sup>3</sup> / <sub>4</sub> " wide furnace models  | *9MPD100  |
| NAHH010SB              | Combustible Floor Subbase - Furnace ONLY: All 24 <sup>1</sup> / <sub>2</sub> " wide furnace models  | *9MPD125  |
| NAHH005SB              | Subbase - Furnace w/19 <sup>1</sup> / <sub>4</sub> " cased coil   | *9MPD050/075/080<br>Counterflow furnace w/19 <sup>1</sup> / <sub>4</sub> " cased coil   |
| NAHH006SB              | Subbase - Furnace w/22 <sup>3</sup> / <sub>4</sub> " cased coil   | *9MPD100<br>Counterflow furnace w/22 <sup>3</sup> / <sub>4</sub> " cased coil   |
| NAHH009SB              | Subbase - Furnace w/24 <sup>1</sup> / <sub>2</sub> " cased coil   | *9MPD125  |
| NAHA001CV<br>1011129^  | 3" Concentric vent kit - allows single wall penetration for 2 pipe direct vent applications (90+).  | *9MPD100/125<br>*9MPD080 (35' & (4) 90° elbows)   |
| NAHA002CV              | 2" Concentric vent kit allows - single wall penetration for 2 pipe direct vent applications (90+).  | *9MPD050/075<br>*9MPD080 (65' & (4) 90° elbows)   |
| NAHA001CA              | Coil Adapter for Downflow Furnaces  | All Downflow Models   |
| 1013802^               | Standard Pressure Switch Kit (1 Pressure Switch)  | *9MPD050, 075 & 100J  |
| 1013812^               | Standard Pressure Switch Kit (1 Pressure Switch)  | *9MPD080  |
| 1013166^               | Standard Pressure Switch Kit (2 Pressure Switches)  | *9MPD125  |
| 1013803^               | High Altitude Pressure Switch Kit (1 Pressure Switch)   | *9MPD050, 075 & 100   |
| 1013813^               | High Altitude Pressure Switch Kit (1 Pressure Switch)   | *9MPD080  |
| 1013157^               | High Altitude Pressure Switch Kit (2 Pressure Switches)   | *9MPD125  |
| NAHA001LV              | Long Vent Kit   | *9MPD075  |
| NAHA002LV              | Long Vent Kit   | *9MPD100  |
| NAHA003LV              | Hing Allitide Long Vent Kit   | *9MPD075/100  |

^ Must be ordered from Service Parts

\* Denotes Brand (T, H or C)