

# INSTALLATION INSTRUCTIONS

## 90+ Upper Door Replacement

This kit is designed to replace the upper door on the N9MP1, N9MP2, N9MPD, \*9MPD, \*9MPT, \*9UHX, \*9MPV and \*9MVX series furnace.

\* Denotes Brand

**Read the entire instructions completely before starting the installation.**

Examine kit to determine that the following parts are present with the replacement upper door:

Parts List		
Description	Part#	Qty
Model: <b>Entry Level, C, H</b>		
Door Screw *	1014488	2
Diagnostic Labels		
Single Stage	1012899	1
2-Stage	1013348	1
Operating Instruction	1013494	1
Seal Strip	1013144	3
Instructions	441 06 1063 01	1
Model: <b>Tempstar</b>		
Door Screw *	1014488	2
Wiring Label		
Single Stage	329530-101	1
	or 330709-101	1
2-Stage	330605-101	1
	or 330710-101	1
Variable Speed (050)	329548-101	1
Variable Speed	330711-101	1
	or 329532-101	1
Warning Label	1013810	1
	or 330713-101	1
Operating Instruction	1013494	1
	or 330712-201	1
Instructions	441 06 1063 01	1
Diagnostic Label		
Single Stage	1012899	1
2-Stage	1013348	1
Seal Strip	1013144	3
Faceplate		
	1013489 or 1013490 or 1013491 or 1013488	1
Trim Strip	1013487	2
Hole Plug 1/4" (6.34mm) Diameter	1010714	2

If any part is missing, immediately contact your parts supplier.  
Not all parts will be used.

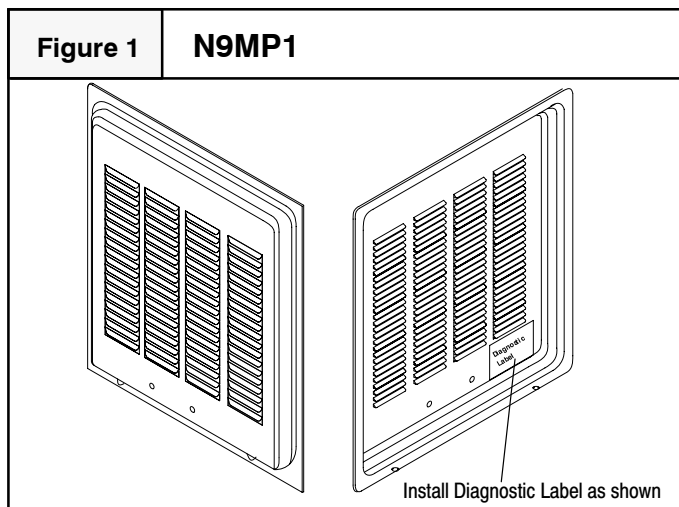
\* Denotes parts available through Fast Parts.

Others are available only through 90+ Upper Door Kits.

### Installation (Series B)

Model: N9MP1 Series B (See **Figure 1**)

- Place Diagnostic Label part 1012899 at the right bottom corner on the inside of the door.
- Insert the two (2) screws into the screw holes located at the front bottom of the door to install the door on the furnace.



Model: N9MP2, \*9MPD, \*9MPT, \*9MPV Series B (See **Figure 2**)  
\* Denotes Brand

- Place one Diagnostic Label below the sight glass on the inside of the door.  
NOTE: Part 1012899 for N9MP2, \*9MPD  
Part 1013348 for \*9MPT, \*9MPV
- Place Operating Instruction Label part 1013494 below the diagnostic label on the inside of the door.
- Place seal strips (2) along the side edge on the inside of the door and trim to length.
- Place another seal strip along the bottom edge on the inside of the door and trim to length.
- (Tempstar only) Insert Face Plate on the designated holes on the front of the door.
- (Tempstar only) Insert Hole plugs (2).
- (Tempstar only) Place Trim Strips (2) along the front side edge of the door.
- Insert the two (2) screws into the screw holes located at the front bottom of the door to install the door on the furnace.



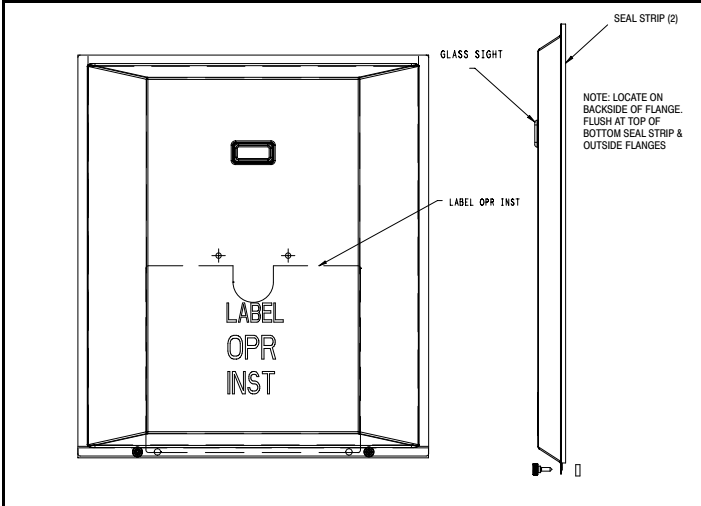
## CAUTION

### CUT HAZARD

**Failure to follow this caution could result in bodily injury.**

**Sheet metal parts may have sharp edges or burrs. Use care and wear appropriate protective clothing and gloves when handling parts.**

NOTE: If replacing front door with machine thread thumbscrews, drill new door screw holes from 1/8" (3.2mm) diameter to 1/4" (6.4mm) diameter before inserting thumbscrews. Use machine thread thumbscrews from original (old) door. Discard black door screws included with this kit.

**Figure 2****N9MP2, N9MPD, \*9MPD, \*9MPT,  
\*9UHX, \*9MPV, \*9MVX**

## Installation (Series A)

Model: N9MPD, \*9UHX, \*9MVX

\* Denotes Brand

1. (T9MVX only) Place Operating Instruction Label part 330712-201 below the sight glass on the inside of the door. (See **Figure 3**)
2. Place seal strips (2) along the side edge on the inside of the door and trim to length.
3. Place another seal strip along the bottom edge on the inside of the door and trim to length.
4. (Tempstar only) Insert Face Plate on the designated holes on the front of the door.
5. (Tempstar only) Insert Hole plugs (2).
6. (Tempstar only) Place Trim Strips (2) along the front side edge of the door.
7. Insert the two (2) screws into the screw holes located at the front bottom of the door to install the door on the furnace.

## Installation (Series C & D)

Model: N9MP1 Series C

1. Insert the two (2) screws into the screw holes located at the front bottom of the door to install the door on the furnace.

Model: N9MP2, \*9MPD, \*9MPT, \*9MPV

\* Denotes Brand

1. (T9MPT, T9MPV only) Place Operating Instruction Label part 330712-201 below the sight glass on the inside of the door. (See **Figure 3**)
2. Place seal strips (2) along the side edge on the inside of the door and trim to length.
3. Place another seal strip along the bottom edge on the inside of the door and trim to length.
4. (Tempstar only) Insert Face Plate on the designated holes on the front of the door.
5. (Tempstar only) Insert Hole plugs (2).
6. (Tempstar only) Place Trim Strips (2) along the front side edge of the door.
7. Insert the two (2) screws into the screw holes located at the front bottom of the door to install the door on the furnace.



## CAUTION

### CUT HAZARD

**Failure to follow this caution could result in bodily injury.****Sheet metal parts may have sharp edges or burrs. Use care and wear appropriate protective clothing and gloves when handling parts.**

If door screws from original door are not available, use 10-32 UNF thread screws available at local hardware stores.

NOTE: If replacing front door with machine thread thumbscrews, drill new door screw holes from  $\frac{1}{8}$ " (3.2mm) diameter to  $\frac{1}{4}$ " (6.4mm) diameter before inserting thumbscrews. Use machine thread thumbscrews from original (old) door. Discard black door screws included with this kit.**Figure 3****T9MPT, T9MPV, T9MVX**