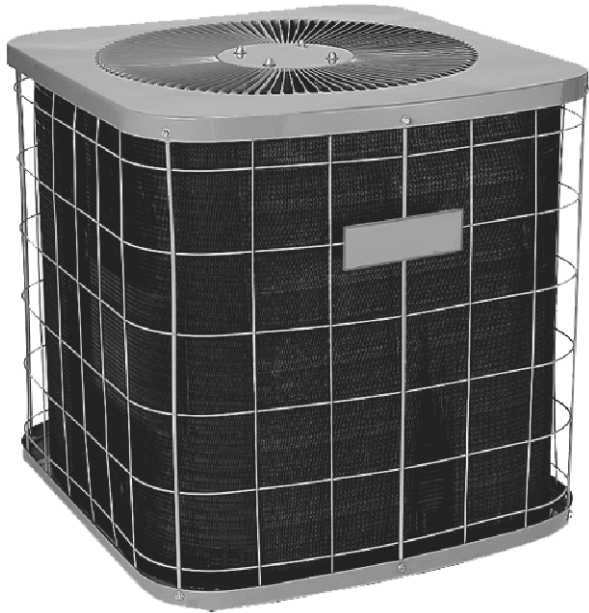




12+ SEER - AIR CONDITIONER



Representative photo only, some models may vary in appearance.

1 1/2 THRU 5 TONS SPLIT SYSTEM FEATURES

- Service valves on all models with 3-1/2" stubs
- External refrigerant connections
- Copper tube / aluminum fin coil
- Prepainted condenser fins
- Fan motor in-line disconnect plug
- Factory charge
- Top air discharge for quieter operation
- Galvanized steel cabinet with integral base rails
- Triple step paint process
- Coated inlet grille
- Ten (10) year limited compressor warranty
- Standard 5 Year limited warranty on parts



Rated in accordance with ARI Standard 210. Certification applies only when used with proper components as listed with ARI.



International Comfort Products Corporation LLC
651 Heil-Quaker Ave.
Lewisburg, Tennessee 37091

RESIDENTIAL AND COMMERCIAL SYSTEMS • SPLIT SYSTEMS • PACKAGED AIR CONDITIONERS •
COMBINATION GAS / ELECTRIC UNITS • HEAT PUMPS • AIR HANDLERS • MANUFACTURED HOME AIR
CONDITIONERS • GAS, OIL AND ELECTRIC FURNACES

421 56 3102 02

Base Specifications

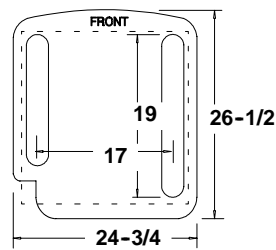
Model Number	NAC218AKC	NAC224AKC	NAC230AKC	NAC236AKC	NAC242AKC	NAC248AKC	NAC260AKC
Model Number	NAC218GKC	NAC224GKC	NAC230GKC	NAC236GKC	NAC242GKC	NAC248GKC	NAC260GKC
Max. Cooling Capacity (Btuh)	17600	23400	29600	34600	41500	47000	55000
SEER Label	12	12	12	12	12	12	12
Sound Rating Decibels	74	76	76	76	78	80	80
Fan HP / Type / Speeds	1/12-PSC-1	1/8-PSC-1	1/3-PSC-1	1/3-PSC-1	1/3-PSC-1	1/3-PSC-1	1/3-PSC-1
Fan RPM	1075	1075	1075	1075	1075	1075	1075
Coil Face Area (Sq Ft)	10.7	12.5	15.5	15.5	17.9	23.9	21.5
Coil Rows / Fins Per Inch	1 / 24	1 / 24	1 / 24	1 / 24	1 / 24	1 / 24	1 / 24
Line Connection Suction I.D. Size (In.)	3/4	3/4	3/4	3/4	7/8	7/8	1-1/8
Line Connection Liquid I.D. Size (In.)	3/8	3/8	3/8	3/8	3/8	3/8	3/8
Supplied Optional Evaporator Orifice Size	.053	.058	.069	.073	.079	.087	TXV
Factory Charge - R22 (Oz)	79.5	85.9	112.0	116.2	127	151.8	214.0
Compressor	Scroll	Scroll	Scroll	Scroll	Scroll	Scroll	Scroll
Weight Lbs. (Ship)	125	127	129	185	192	207	209

Electrical Specifications - 208 - 230 / 1 / 60, Voltage Range 197V - 253V

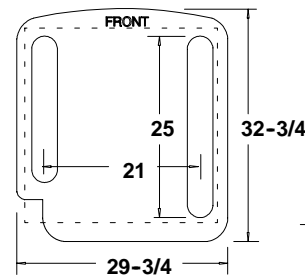
Minimum Circuit Ampacity	11.7	14.6	18.7	20.3	24.3	25.9	33.2
Wire Size/Max. Length (AWG Cu) Ft.	14 / 62	14 / 50	14 / 39	12 / 60	12 / 50	10 / 73	10 / 58
Time Delay Fuse (Amps)	20	20	30	30	35	40	50
Max. Fuse or HACR Breaker Size (Amps)	20	20	30	30	40	40	50
Compressor Full Run / Lock Rotor Amps	9.0 / 42	10.9 / 54	13.5 / 72.5	14.7 / 83	17.9 / 104	19.3 / 137	25 / 148
Fan Full Load / Lock Rotor Amps.	.50 / .80	.93 / 2.2	1.9 / 3.7	1.9 / 3.7	1.9 / 3.7	1.9 / 3.7	1.9 / 3.7

Dimensions		
Model	Chassis	Height (H)
NAC218	1	26
NAC224	1	30
NAC230	2	28
NAC236	2	28
NAC242	2	32
NAC248	2	42
NAC260	2	38

ALL DIMENSIONS IN INCHES



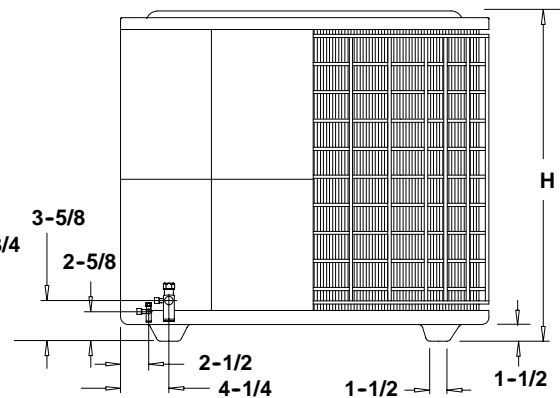
Chassis #1



Chassis #2

Minimum Mounting Pad Sizes with pad starting at 15" from structure for minimum clearance of 12" to structure.

Chassis #1 20" W X 20" D
Chassis #2 24" W X 26" D



Accessory	Description	Used On
AMF153TKB	Expansion Valve Kit	1 1/2 - 3 Ton
AMF355TKB	Expansion Valve Kit	3 1/2 - 5 Ton
AMA001TDA	Indoor Blower Time Delay	All Models
24370800 *	Compressor Anti-short cycle 24 Volt 3 Min. Time Delay	All Models
1070822*	Compressor Anti-short cycle 24 Volt 5 Min. Time Delay	All Models
1148671 *	Low Ambient Kit (Fan Cycling Switch)	All Models
1053477 *	Compressor Crankcase Heater Solid State "Stick On" Type	All Models
1148113 *	Compressor Crankcase Heater "Wrap-around" Type	All Models
1060834 *	Compressor Sound Jacket (Large Scroll)	5 Ton

PERFORMANCE DATA COOLING

Outdoor Model	Indoor Model	Cooling Capacity (MBtuh)	SEER Rating (Btuh/watt)	EER Rating (Btuh/watt)	Outdoor Coil Air (SCFM)	Indoor Coil Air (SCFM)
NAC218AKC*	EP*36B****+TD1	17600	12	10.8	1400	600
NAC218AKC*	EP*18B****+TD1	16000	11	10.15	1400	600
NAC218AKC*	EP*24B****+TD1+TXV	16800	11.5	10.4	1400	600
NAC218AKC*	EP*24F****+TD1+TXV	16800	11.5	10.4	1400	600
NAC218AKC*	EP*30B****+TD1	17100	11.6	10.65	1400	600
NAC218AKC*	EP*30F****+TD1	17100	11.6	10.65	1400	600
NAC218AKC*	EP*30F****+MV12F19****+TXV	17400	13	11.85	1400	565
NAC218AKC*	EX*24B****+TD1	17700	12	10.85	1400	600
NAC218AKC*	EX*24B****+MV08B15****	17900	13.5	12.15	1400	555
NAC218AKC*	EX*24F****+TD1	17700	12	10.85	1400	600
NAC218AKC*	EBP24****	17700	12	10.95	1400	600
NAC218AKC*	EBP30****	17800	12	11	1400	600
NAC218AKC*	FWM24****	17700	12	10.8	1400	600
NAC218AKC*	EBV24****	18000	14	12.35	1400	600
NAC218AKC*	EBX24****	17800	12.5	11.05	1400	600
NAC218AKC*	EP*18B****+TD1+TXV	16000	11.1	10	1400	600
NAC218AKC*	EP*30B****+TD1+TXV	17100	11.7	10.55	1400	600
NAC218AKC*	EP*30F****+TD1+TXV	17100	11.7	10.55	1400	600
NAC218AKC*	EBP24****+TXV	17700	12.2	10.95	1400	600
NAC218AKC*	EBP30****+TXV	17800	12.2	11.05	1400	600
NAC218AKC*	EMH24F****+TD1	16800	11.5	10.5	1400	600
NAC218AKC*	EP*24B****+MV08B15****	17100	13	11.85	1400	575
NAC218AKC*	EP*24F****+MV12F19****	17100	13	11.85	1400	570
NAC218AKC*	EP*30B****+NTV6050	17700	13	11.75	1400	660
NAC218AKC*	EP*30B****+MV08B15****	17400	13	12	1400	570
NAC218AKC*	EP*30F****+MV12F19****	17300	13	12	1400	565
NAC218AKC*	EX*24B****+NTV6050	18000	13.5	12	1400	645
NAC218AKC*	EX*24B****+MV08B15****	18000	13.5	12.15	1400	665
NAC218AKC*	EX*24F****+MV12F19****	18000	13.5	12.25	1400	660
NAC218AKC*	EP*36B****+NTV6050	18000	13	11.95	1400	645
NAC218AKC*	EP*36B****+MV08B15****	18000	13.3	12.05	1400	665
NAC218AKC*	EP*36B****+TD1+TXV	17600	12.1	10.8	1400	600
NAC218AKC*	EP*36B****+NTV6050+TXV	18000	13.2	11.95	1400	645
NAC218AKC*	EP*36B****+MV08B15****+TXV	18000	13.5	12.05	1400	665
NAC218AKC*	EP*24B****+MV08B15****+TXV	17100	13.2	11.7	1400	575
NAC218AKC*	EP*24F****+MV12F19****+TXV	17100	13.2	11.7	1400	570
NAC218AKC*	EP*30B****+NTV6050+TXV	17600	13.2	11.7	1400	660
NAC218AKC*	EP*30B****+MV08B15****+TXV	17400	13.2	11.85	1400	570
NAC218AKC*	EP*30F****+MV12F19****+TXV	17400	13.2	11.85	1400	565
NAC218AKC*	EP*18B****+MV08B15****	16200	12.3	11.45	1400	555
NAC218AKC*	EP*18B****+MV08B15****+TXV	16200	12.5	11.1	1400	555
NAC224AKC*	EP*36B****+TD1	23400	12	10.75	1400	800
NAC224AKC*	EP*24B****+TD1	22600	11.3	10.35	1400	800
NAC224AKC*	EP*30B****+TD1	23000	11.5	10.5	1400	800
NAC224AKC*	EP*30F****+TD1	23000	11.5	10.5	1400	800
NAC224AKC*	EP*36B****+TD1+TXV	23800	12.1	10.8	1400	800
NAC224AKC*	EP*36F****+TD1	23800	12	10.75	1400	800
NAC224AKC*	EP*36F****+MV12F19****+TXV	24000	13.2	12	1400	800
NAC224AKC*	EP*36J****+TD1	23800	12	10.75	1400	800
NAC224AKC*	EP*36J****+MV16J22****+TXV	24000	13.2	12.1	1400	885
NAC224AKC*	EX*24B****+MV08B15****	24000	13	11.9	1400	795
NAC224AKC*	EX*24F****+MV12F19****	24000	13	11.95	1400	810
NAC224AKC*	EBP24****	24000	12	10.9	1400	800
NAC224AKC*	EBP30****	24000	12	11	1400	800

TD1=AMA001TDA Indoor Blower Time Delay Kit, required to make SEER indicated. All products using an electronic fan control satisfy TD1 requirements. TXV=Thermostatic Expansion Valve, TXV153 (AMF153) replaces HTXV1,2 or 3 where listed in ratings, TXV335 (AMF335) Replaces HTXV4 or 5 where listed in ratings. EP* = EPA, EPD, EPM series of coils. EX* = EXA, EXD, EXM series of coils.

PERFORMANCE DATA COOLING

Outdoor Model	Indoor Model	Cooling Capacity(MBtuh)	SEER Rating (Btuh/watt)	EER Rating (Btuh/watt)	Outdoor Coil Air (SCFM)	Indoor Coil Air (SCFM)
NAC224AKC*	FWM30****	24000	12	10.85	1400	800
NAC224AKC*	EBV24****	24000	13	11.9	1400	800
NAC224AKC*	EBX24****	24000	12	11.05	1400	800
NAC224AKC*	EP*24B****+TD1+TXV	22600	11.5	10.35	1400	800
NAC224AKC*	EP*30B****+TD1+TXV	23000	11.6	10.5	1400	800
NAC224AKC*	EP*30F****+TD1+TXV	23000	11.6	10.5	1400	800
NAC224AKC*	EP*36F****+TD1+TXV	23800	12.1	10.8	1400	800
NAC224AKC*	EP*36J****+TD1+TXV	23800	12.1	10.8	1400	800
NAC224AKC*	EBP24****+TXV	24000	12.2	10.9	1400	800
NAC224AKC*	EBP30****+TXV	24000	12.2	11.05	1400	800
NAC224AKC*	EMH24F****+TD1	22600	11.3	10.35	1400	800
NAC224AKC*	EMH36F****+TD1	23800	11.5	10.75	1400	800
NAC224AKC*	EP*24B****+NTV6050	23000	12.2	11.3	1400	775
NAC224AKC*	EP*24B****+*8MPV050	22800	12	11	1400	805
NAC224AKC*	EP*24B****+*9MPV050	22800	11.8	10.85	1400	810
NAC224AKC*	EP*24B****+MV08B15****	23200	12.3	11.4	1400	830
NAC224AKC*	EP*30B****+NTV6050	23600	12.3	11.35	1400	835
NAC224AKC*	EP*30B****+*8MPV050	23200	12	11.1	1400	790
NAC224AKC*	EP*30B****+*9MPV050	23200	12	11	1400	795
NAC224AKC*	EP*30B****+MV08B15****	23600	12.5	11.55	1400	815
NAC224AKC*	EP*30F****+NTV6075	23600	12.5	11.5	1400	850
NAC224AKC*	EP*30F****+*9MPV075	23400	12.4	11.3	1400	815
NAC224AKC*	EP*30F****+MV12F19****	23600	12.8	11.75	1400	790
NAC224AKC*	EP*36B****+NTV6050	24000	12.8	11.7	1400	770
NAC224AKC*	EP*36B****+*8MPV050	24000	12.5	11.4	1400	800
NAC224AKC*	EP*36B****+*9MPV050	24000	12.5	11.3	1400	805
NAC224AKC*	EP*36B****+MV08B15****	24000	13	11.85	1400	825
NAC224AKC*	EP*36F****+NTV6075	24000	13	11.8	1400	860
NAC224AKC*	EP*36F****+*9MPV075	24000	13	11.6	1400	830
NAC224AKC*	EP*36J****+*9MPV100	24600	12.5	11.7	1400	920
NAC224AKC*	EP*36J****+MV16J22****	24000	13	12.05	1400	885
NAC224AKC*	EX*24B****+NTV6050	24000	13	11.7	1400	820
NAC224AKC*	EX*24B****+*8MPV050	24000	12.5	11.35	1400	815
NAC224AKC*	EX*24B****+*9MPV050	24000	12.5	11.35	1400	780
NAC224AKC*	EX*24F****+NTV6075	24000	13	11.8	1400	800
NAC224AKC*	EX*24F****+*8MPV075	24000	12.8	11.65	1400	875
NAC224AKC*	EX*24F****+*9MPV075	24000	12.8	11.55	1400	765
NAC224AKC*	EMH24F****+TD1+TXV	22600	11.4	10.3	1400	800
NAC224AKC*	EMH36F****+TD1+TXV	23800	11.8	10.8	1400	800
NAC224AKC*	EP*24B****+NTV6050+TXV	23000	12.4	11.25	1400	775
NAC224AKC*	EP*24B****+*8MPV050+TXV	22800	12.1	10.95	1400	805
NAC224AKC*	EP*24B****+*9MPV050+TXV	22800	12	10.85	1400	810
NAC224AKC*	EP*24B****+MV08B15****+TXV	23200	12.5	11.4	1400	830
NAC224AKC*	EP*30B****+NTV6050+TXV	23600	12.5	11.35	1400	835
NAC224AKC*	EP*30B****+*8MPV050+TXV	23200	12.2	11.1	1400	790
NAC224AKC*	EP*30B****+*9MPV050+TXV	23200	12.1	11	1400	795
NAC224AKC*	EP*30B****+MV08B15****+TXV	23600	12.7	11.55	1400	815
NAC224AKC*	EP*30F****+NTV6075+TXV	23600	12.7	11.5	1400	850
NAC224AKC*	EP*30F****+*9MPV075+TXV	23400	12.5	11.3	1400	815
NAC224AKC*	EP*30F****+MV12F19****+TXV	23600	13	11.7	1400	790
NAC224AKC*	EP*36B****+NTV6050+TXV	24000	13	11.75	1400	770
NAC224AKC*	EP*36B****+*8MPV050+TXV	24000	12.7	11.45	1400	800
NAC224AKC*	EP*36B****+*9MPV050+TXV	24000	12.7	11.35	1400	805
NAC224AKC*	EP*36B****+MV08B15****+TXV	24000	13.2	11.9	1400	825

TD1=AMA001TDA Indoor Blower Time Delay Kit, required to make SEER indicated. All products using an electronic fan control satisfy TD1 requirements. TXV=Thermostatic Expansion Valve, TXV153 (AMF153) replaces HTXV1,2 or 3 where listed in ratings, TXV335 (AMF335) Replaces HTXV4 or 5 where listed in ratings. EP* = EPA, EPD, EPM series of coils. EX* = EXA, EXD, EXM series of coils.

PERFORMANCE DATA COOLING

Outdoor Model	Indoor Model	Cooling Capacity(MBtuh)	SEER Rating (Btuh/watt)	EER Rating (Btuh/watt)	Outdoor Coil Air (SCFM)	Indoor Coil Air (SCFM)
NAC224AKC*	EP*36J****+*9MPV100+TXV	24600	13	11.8	1400	920
NAC230AKC*	EP*48F****+TD1	29600	12	10.95	3000	1000
NAC230AKC*	EP*48F****+TDR+TXV	30000	12.2	10.95	3000	1000
NAC230AKC*	EP*30B****+TD1	27800	11.4	10.35	3000	1000
NAC230AKC*	EP*30F****+TD1	27800	11.4	10.35	3000	1000
NAC230AKC*	EP*36B****+TD1	29000	11.5	10.65	3000	1000
NAC230AKC*	EP*36F****+TD1	29000	11.5	10.65	3000	1000
NAC230AKC*	EP*36F****+MV12F19****+TXV	29600	12.8	11.6	3000	1040
NAC230AKC*	EP*36J****+TD1	29000	11.5	10.65	3000	1000
NAC230AKC*	EP*36J****+MV12F19****+TXV	29600	12.8	11.6	3000	1040
NAC230AKC*	EP*42F****+TD1	29800	12	10.9	3000	1000
NAC230AKC*	EP*42J****+TD1	29800	12	10.9	3000	1000
NAC230AKC*	EX*36F****+TD1	30000	12.2	11.1	3000	1000
NAC230AKC*	EX*36F****+MV12F19****	30000	13	11.95	3000	1015
NAC230AKC*	EX*36J****+TD1	30000	12.2	11	3000	1000
NAC230AKC*	EX*36J****+MV12F19****	30000	13	12.05	3000	1050
NAC230AKC*	EBP30****	29600	12	10.95	3000	1000
NAC230AKC*	EBP36****	29800	12	10.7	3000	1000
NAC230AKC*	EBX36****	30000	12	10.95	3000	1000
NAC230AKC*	EP*30B****+TDR+TXV	27800	11.5	10.3	3000	1000
NAC230AKC*	EP*30F****+TDR+TXV	27800	11.5	10.3	3000	1000
NAC230AKC*	EP*36B****+TDR+TXV	29000	11.7	10.5	3000	1000
NAC230AKC*	EP*36F****+TDR+TXV	29000	11.7	10.5	3000	1000
NAC230AKC*	EP*36J****+TDR+TXV	29000	11.7	10.5	3000	1000
NAC230AKC*	EP*42F****+TDR+TXV	29800	12.1	10.9	3000	1000
NAC230AKC*	EP*42J****+TDR+TXV	29800	12.1	10.9	3000	1000
NAC230AKC*	EBP30****+TXV	29600	12.2	10.95	3000	1000
NAC230AKC*	EBP36****+TXV	29800	12.1	10.75	3000	1000
NAC230AKC*	EP*30B****+NTV6050	27800	11.8	10.9	3000	945
NAC230AKC*	EP*30B****+MV08B15****	28200	12	10.9	3000	1050
NAC230AKC*	EP*30F****+NTV6075	28200	12	11.05	3000	995
NAC230AKC*	EP*30F****+*8MPV075	28200	12	11.05	3000	985
NAC230AKC*	EP*30F****+*9MPV075	28000	11.8	10.85	3000	980
NAC230AKC*	EP*30F****+MV12F19****	28400	12.3	11.25	3000	1025
NAC230AKC*	EP*36B****+NTV6050	29200	12	10.95	3000	1055
NAC230AKC*	EP*36B****+*8MPV050	29000	11.5	10.65	3000	1015
NAC230AKC*	EP*36B****+MV08B15****	29200	12.5	11.4	3000	970
NAC230AKC*	EP*36F****+NTV6075	29400	12.5	11.4	3000	1005
NAC230AKC*	EP*36F****+*8MPV075	29200	12.5	11.4	3000	1000
NAC230AKC*	EP*36F****+*9MPV075	29200	12	11.2	3000	995
NAC230AKC*	EP*36J****+NTV6100	29600	12.5	11.65	3000	1050
NAC230AKC*	EP*36J****+*8MPV100	29200	12.5	11.65	3000	950
NAC230AKC*	EP*36J****+*9MPV100	29200	12.5	11.5	3000	945
NAC230AKC*	EP*36J****+MV16J22****	29400	12.8	11.8	3000	1005
NAC230AKC*	EP*42F****+NTV6075	30000	12.5	11.6	3000	980
NAC230AKC*	EP*42F****+*8MPV075	30000	12.5	11.6	3000	970
NAC230AKC*	EP*42F****+*9MPV075	30000	12.2	11.2	3000	1035
NAC230AKC*	EP*42F****+MV12F19****	30000	12.8	11.8	3000	1010
NAC230AKC*	EP*42J****+NTV6100	30000	12.4	11.35	3000	990
NAC230AKC*	EP*42J****+*8MPV100	30000	12.2	11.15	3000	1055
NAC230AKC*	EP*42J****+*9MPV100	30000	12	10.95	3000	1045
NAC230AKC*	EP*42J****+MV16J22****	30000	12.5	11.5	3000	1000
NAC230AKC*	EX*36F****+NTV6075	30000	13	11.7	3000	985
NAC230AKC*	EX*36F****+*8MPV075	30000	13	11.7	3000	975
NAC230AKC*	EX*36F****+*9MPV075	30000	12.8	11.5	3000	970
NAC230AKC*	EX*36J****+NTV6100	30000	13.5	12.05	3000	1055

TD1=AMA001TDA Indoor Blower Time Delay Kit, required to make SEER indicated. All products using an electronic fan control satisfy TD1 requirements. TXV=Thermostatic Expansion Valve, TXV153 (AMF153) replaces HTXV1,2 or 3 where listed in ratings, TXV335 (AMF335) Replaces HTXV4 or 5 where listed in ratings. EP* = EPA, EPD, EPM series of coils. EX* = EXA, EXD, EXM series of coils.

PERFORMANCE DATA COOLING

Outdoor Model	Indoor Model	Cooling Capacity(MBtuh)	SEER Rating (Btuh/watt)	EER Rating (Btuh/watt)	Outdoor Coil Air (SCFM)	Indoor Coil Air (SCFM)
NAC230AKC*	EX*36J****+*8MPV100	30000	13.5	11.95	3000	955
NAC230AKC*	EX*36J****+*9MPV100	30000	13	11.85	3000	950
NAC230AKC*	EX*36J****+MV16J22****	30000	13.5	12.15	3000	1010
NAC230AKC*	EP*48F****+NTV6075	30000	12.8	11.7	3000	1010
NAC230AKC*	EP*48F****+*8MPV075	30000	12.8	11.7	3000	1000
NAC230AKC*	EP*48F****+*9MPV075	30000	12.5	11.5	3000	995
NAC230AKC*	EP*48F****+NTV6075+TXV	30000	13	11.7	3000	1010
NAC230AKC*	EP*48F****+*8MPV075+TXV	30000	13	11.7	3000	1000
NAC230AKC*	EP*48F****+*9MPV075+TXV	30000	12.8	11.5	3000	995
NAC230AKC*	EP*30B****+NTV6050+TXV	28200	12	10.6	3000	1050
NAC230AKC*	EP*30B****+MV08B15****+TXV	28000	12.2	10.9	3000	960
NAC230AKC*	EP*30F****+NTV6075+TXV	28200	12.2	10.9	3000	995
NAC230AKC*	EP*30F****+*8MPV075+TXV	28200	12.2	10.9	3000	985
NAC230AKC*	EP*30F****+*9MPV075+TXV	28000	11.9	10.7	3000	980
NAC230AKC*	EP*30F****+MV12F19****+TXV	28400	12.4	11.15	3000	1025
NAC230AKC*	EP*36B****+NTV6050+TXV	29200	12.2	10.95	3000	1055
NAC230AKC*	EP*36B****+*8MPV050+TXV	29000	11.7	10.65	3000	1015
NAC230AKC*	EP*36B****+MV08B15****+TXV	29200	12.7	11.35	3000	970
NAC230AKC*	EP*36F****+NTV6075+TXV	29400	12.7	11.35	3000	1005
NAC230AKC*	EP*36F****+*8MPV075+TXV	29400	12.7	11.35	3000	1000
NAC230AKC*	EP*36F****+*9MPV075+TXV	29200	12.2	11.15	3000	995
NAC230AKC*	EP*36J****+NTV6100+TXV	29600	12.7	11.65	3000	1050
NAC230AKC*	EP*36J****+*8MPV100+TXV	29200	12.7	11.55	3000	950
NAC230AKC*	EP*36J****+*9MPV100+TXV	29200	12.7	11.45	3000	945
NAC230AKC*	EP*36J****+MV16J22****+TXV	29400	13	11.75	3000	1005
NAC230AKC*	EP*42F****+NTV6075+TXV	30000	12.7	11.6	3000	980
NAC230AKC*	EP*42F****+*8MPV075+TXV	30000	12.7	11.6	3000	970
NAC230AKC*	EP*42F****+*9MPV075+TXV	30000	12.4	11.2	3000	1035
NAC230AKC*	EP*42F****+MV12F19****+TXV	30000	13	11.75	3000	1010
NAC230AKC*	EP*42J****+NTV6100+TXV	30000	12.6	11.3	3000	990
NAC230AKC*	EP*42J****+*8MPV100+TXV	30000	12.4	11.15	3000	1055
NAC230AKC*	EP*42J****+*9MPV100+TXV	30000	12.2	10.95	3000	1045
NAC230AKC*	EP*42J****+MV16J22****+TXV	30000	12.7	11.45	3000	1000
NAC236AKC*	EP*48F****+TD1	34600	12	10.65	3000	1200
NAC236AKC*	EP*36B****+TD1	32200	11.5	10.4	3000	1000
NAC236AKC*	EP*36F****+TD1	32800	11.4	10.3	3000	1200
NAC236AKC*	EP*36J****+TD1	32800	11.4	10.3	3000	1200
NAC236AKC*	EP*36J****+MV16J22****+TXV	33400	12.5	11.3	3000	1215
NAC236AKC*	EP*42F****+TD1	33600	11.8	10.65	3000	1100
NAC236AKC*	EP*42F****+MV12F19****+TXV	34400	12.5	11.25	3000	1205
NAC236AKC*	EP*42J****+TD1	34000	11.5	10.6	3000	1200
NAC236AKC*	EP*42J****+MV16J22****+TXV	34200	12.2	11	3000	1210
NAC236AKC*	EP*48F****+MV12F19****+TXV	34800	12.5	11.4	3000	1235
NAC236AKC*	EP*48J****+TD1	34600	12	10.7	3000	1200
NAC236AKC*	EP*48J****+MV16J22****+TXV	35400	13.2	11.85	3000	1235
NAC236AKC*	EP*48N****+TD1	34600	12	10.7	3000	1200
NAC236AKC*	EP*48N****+MV20N26****+TXV	35400	13	11.85	3000	1245
NAC236AKC*	EX*36B****+TD1	34200	12	10.8	3000	1100
NAC236AKC*	EX*36B****+MV12F19****	34800	12.5	11.4	3000	1210
NAC236AKC*	EX*36F****+TD1	34200	12	10.8	3000	1100
NAC236AKC*	EX*36F****+MV16J22****	35000	13	11.75	3000	1175
NAC236AKC*	EX*36J****+TD1	34600	12	10.75	3000	1200
NAC236AKC*	EX*42J****+TD1	35000	12	10.9	3000	1200
NAC236AKC*	EBP36****	34000	11.5	10.35	3000	1200

TD1=AMA001TDA Indoor Blower Time Delay Kit, required to make SEER indicated. All products using an electronic fan control satisfy TD1 requirements. TXV=Thermostatic Expansion Valve, TXV153 (AMF153) replaces HTXV1,2 or 3 where listed in ratings, TXV335 (AMF335) Replaces HTXV4 or 5 where listed in ratings. EP* = EPA, EPD, EPM series of coils. EX* = EXA, EXD, EXM series of coils. EE* = EEA OR EED series of coils.

PERFORMANCE DATA COOLING

Outdoor Model	Indoor Model	Cooling Capacity(MBtuh)	SEER Rating (Btuh/watt)	EER Rating (Btuh/watt)	Outdoor Coil Air (SCFM)	Indoor Coil Air (SCFM)
NAC236AKC*	EBP42****	34400	11.7	10.6	3000	1200
NAC236AKC*	EBX36****	34400	11.8	10.65	3000	1200
NAC236AKC*	EP*36B****+TD1+TXV	32200	11.7	10.4	3000	1000
NAC236AKC*	EP*36F****+TD1+TXV	32800	11.5	10.3	3000	1200
NAC236AKC*	EP*36F****+MV12F19****+TXV	33200	12.2	11	3000	1240
NAC236AKC*	EP*36J****+TD1+TXV	32800	11.5	10.3	3000	1200
NAC236AKC*	EP*42F****+TD1+TXV	33600	11.9	10.65	3000	1100
NAC236AKC*	EP*42J****+TD1+TXV	34000	11.7	10.6	3000	1200
NAC236AKC*	EP*48F****+TD1+TXV	34600	12	10.7	3000	1200
NAC236AKC*	EP*48J****+TD1+TXV	34600	12.1	10.8	3000	1200
NAC236AKC*	EP*48N****+TD1+TXV	34600	12.1	10.8	3000	1200
NAC236AKC*	EBP36****+TXV	34000	11.6	10.45	3000	1200
NAC236AKC*	EBP42****+TXV	34400	11.8	10.65	3000	1200
NAC236AKC*	EMH36F****+TD1	32800	11.2	10.3	3000	1200
NAC236AKC*	EMH42F****+TD1	33600	11.6	10.65	3000	1100
NAC236AKC*	EMH48F****+TD1	34600	11.6	10.7	3000	1200
NAC236AKC*	EMH36F****+TD1+TXV	32800	11.3	10.3	3000	1200
NAC236AKC*	EMH42F****+TD1+TXV	33600	11.8	10.65	3000	1100
NAC236AKC*	EMH48F****+TD1+TXV	34600	11.8	10.75	3000	1200
NAC236AKC*	EP*36B****+MV08B15****	33000	11.9	10.7	3000	1165
NAC236AKC*	EP*36F****+NTV6075	32800	12	10.9	3000	1125
NAC236AKC*	EP*36F****+*8MPV075	33200	11.8	10.7	3000	1235
NAC236AKC*	EP*36F****+*9MPV075	32800	11.5	10.4	3000	1225
NAC236AKC*	EP*36F****+MV12F19****	33200	12	10.95	3000	1240
NAC236AKC*	EP*36J****+NTV6100	33400	12.5	11.2	3000	1210
NAC236AKC*	EP*36J****+*8MPV100	33400	12	11	3000	1250
NAC236AKC*	EP*36J****+*9MPV100	33200	12	10.8	3000	1230
NAC236AKC*	EP*36J****+MV16J22****	33400	12.3	11.3	3000	1215
NAC236AKC*	EP*42F****+NTV6075	34200	12	10.8	3000	1245
NAC236AKC*	EP*42F****+*8MPV075	34200	12	10.95	3000	1200
NAC236AKC*	EP*42F****+*9MPV075	34000	11.6	10.6	3000	1190
NAC236AKC*	EP*42F****+MV12F19****	34400	12.3	11.2	3000	1205
NAC236AKC*	EP*42J****+NTV6100	34000	12	10.9	3000	1190
NAC236AKC*	EP*42J****+*8MPV100	34000	11.8	10.7	3000	1215
NAC236AKC*	EP*42J****+MV16J22****	34200	12	10.95	3000	1210
NAC236AKC*	EP*48F****+NTV6075	34600	12	10.9	3000	1270
NAC236AKC*	EP*48F****+*8MPV075	34600	12.2	11.05	3000	1230
NAC236AKC*	EP*48F****+*9MPV075	34400	11.8	10.75	3000	1220
NAC236AKC*	EP*48F****+MV12F19****	34800	12.4	11.3	3000	1235
NAC236AKC*	EP*48J****+NTV6100	35200	12.8	11.65	3000	1230
NAC236AKC*	EP*48J****+*8MPV100	35200	12.8	11.4	3000	1270
NAC236AKC*	EP*48J****+*9MPV100	35000	12.2	11.25	3000	1245
NAC236AKC*	EP*48J****+MV16J22****	35400	13	11.75	3000	1235
NAC236AKC*	EP*48L****+TD1	34600	11.8	10.7	3000	1200
NAC236AKC*	EP*48L****+NTV6125	35200	13	11.7	3000	1180
NAC236AKC*	EP*48L****+*8MPV125	35200	12.5	11.35	3000	1265
NAC236AKC*	EP*48L****+*9MPV125	35000	12.4	11.15	3000	1250
NAC236AKC*	EP*48N****+MV20N26****	35400	12.9	11.75	3000	1245
NAC236AKC*	EX*36B****+MV08B15****	34800	12.3	11.2	3000	1185
NAC236AKC*	EX*36F****+NTV6075	34800	12.2	11	3000	1250
NAC236AKC*	EX*36F****+*8MPV075	34800	12.3	11.15	3000	1205
NAC236AKC*	EX*36F****+*9MPV075	34600	12	10.8	3000	1195
NAC236AKC*	EX*36F****+MV12F19****	35000	12.5	11.4	3000	1210
NAC236AKC*	EX*36J****+NTV6100	35200	13	11.7	3000	1225

TD1=AMA001TDA Indoor Blower Time Delay Kit, required to make SEER indicated. All products using an electronic fan control satisfy TD1 requirements. TXV=Thermostatic Expansion Valve, TXV153 (AMF153) replaces HTXV1,2 or 3 where listed in ratings, TXV335 (AMF335) Replaces HTXV4 or 5 where listed in ratings. EP* = EPA, EPD, EPM series of coils. EX* = EXA, EXD, EXM series of coils. EE* = EEA OR EED series of coils.

PERFORMANCE DATA COOLING

Outdoor Model	Indoor Model	Cooling Capacity(MBtuh)	SEER Rating (Btuh/watt)	EER Rating (Btuh/watt)	Outdoor Coil Air (SCFM)	Indoor Coil Air (SCFM)
NAC236AKC*	EX*36J****+*8MPV100	35200	12.5	11.5	3000	1265
NAC236AKC*	EX*36J****+*9MPV100	35000	12.5	11.3	3000	1240
NAC236AKC*	EX*36J****+MV16J22****	35200	13	11.8	3000	1225
NAC236AKC*	EX*42J****+NTV6100	35600	13	11.8	3000	1195
NAC236AKC*	EX*42J****+*8MPV100	35600	13	11.6	3000	1235
NAC236AKC*	EX*42J****+*9MPV100	35400	12.5	11.4	3000	1215
NAC236AKC*	EX*42J****+MV16J22****	35600	13.2	11.95	3000	1200
NAC236AKC*	EP*36B****+MV08B15****+TXV	33000	12	10.7	3000	1165
NAC236AKC*	EP*36F****+NTV6075+TXV	32800	12.2	10.9	3000	1125
NAC236AKC*	EP*36F****+*8MPV075+TXV	33200	11.9	10.7	3000	1235
NAC236AKC*	EP*36F****+*9MPV075+TXV	32800	11.6	10.4	3000	1225
NAC236AKC*	EP*36J****+NTV6100+TXV	33400	12.6	11.2	3000	1210
NAC236AKC*	EP*36J****+*8MPV100+TXV	33400	12.2	11	3000	1250
NAC236AKC*	EP*36J****+*9MPV100+TXV	33200	12.1	10.8	3000	1230
NAC236AKC*	EP*42F****+NTV6075+TXV	34200	12.1	10.85	3000	1245
NAC236AKC*	EP*42F****+*8MPV075+TXV	34200	12.1	11	3000	1200
NAC236AKC*	EP*42F****+*9MPV075+TXV	34000	11.8	10.65	3000	1190
NAC236AKC*	EP*42J****+NTV6100+TXV	34000	12.1	10.95	3000	1190
NAC236AKC*	EP*42J****+*8MPV100+TXV	34000	11.9	10.75	3000	1215
NAC236AKC*	EP*48F****+NTV6075+TXV	34600	12.2	11	3000	1270
NAC236AKC*	EP*48F****+*8MPV075+TXV	34600	12.3	11.1	3000	1230
NAC236AKC*	EP*48F****+*9MPV075+TXV	34400	11.9	10.8	3000	1220
NAC236AKC*	EP*48J****+NTV6100+TXV	35200	13	11.7	3000	1230
NAC236AKC*	EP*48J****+*8MPV100+TXV	35200	12.9	11.5	3000	1270
NAC236AKC*	EP*48J****+*9MPV100+TXV	35000	12.5	11.35	3000	1245
NAC236AKC*	EP*48L****+TD1+TXV	34600	12	10.8	3000	1200
NAC236AKC*	EP*48L****+NTV6125+TXV	35200	13.2	11.8	3000	1180
NAC236AKC*	EP*48L****+*8MPV125+TXV	35200	12.8	11.45	3000	1265
NAC236AKC*	EP*48L****+*9MPV125+TXV	35000	12.5	11.25	3000	1250
NAC242AKC*	EP*60J****+TD1	40000	12	10.45	3000	1400
NAC242AKC*	EP*42F****+TD1	39000	11.5	10.25	3000	1100
NAC242AKC*	EP*42J****+TD1	39000	11.5	10.25	3000	1200
NAC242AKC*	EP*48F****+TD1	39500	11.5	10.3	3000	1300
NAC242AKC*	EP*48J****+TD1	40000	11.5	10.35	3000	1400
NAC242AKC*	EP*48N****+TD1	40000	11.5	10.35	3000	1400
NAC242AKC*	EP*60N****+TD1	40000	12	10.45	3000	1400
NAC242AKC*	EX*42J****+TD1	40000	12	10.5	3000	1200
NAC242AKC*	EX*42J****+MV16J22****	40000	12.5	11.15	3000	1385
NAC242AKC*	EX*48N****+TD1	40000	12	10.45	3000	1400
NAC242AKC*	EX*48N****+MV20N26****	40000	13	11.3	3000	1255
NAC242AKC*	EBP42****	39500	11.5	10.2	3000	1400
NAC242AKC*	EBP48****	40500	11.6	10.35	3000	1400
NAC242AKC*	EBV48****	41000	13	11.4	3000	1400
NAC242AKC*	EBX48****	41000	12	10.55	3000	1400
NAC242AKC*	EP*42F****+TD1+TXV	39000	11.5	10.15	3000	1100
NAC242AKC*	EP*42J****+TD1+TXV	38500	11	10.15	3000	1200
NAC242AKC*	EP*48F****+TD1+TXV	39500	11.5	10.25	3000	1300
NAC242AKC*	EP*48J****+TD1+TXV	40000	11.5	10.3	3000	1400
NAC242AKC*	EP*48N****+TD1+TXV	40000	11.5	10.3	3000	1400
NAC242AKC*	EP*60J****+TD1+TXV	40000	12	10.45	3000	1400
NAC242AKC*	EP*60N****+TD1+TXV	40000	12	10.45	3000	1400
NAC242AKC*	EBP42****+TXV	40000	11.5	10.15	3000	1400
NAC242AKC*	EBP48****+TXV	40500	11.7	10.35	3000	1400
NAC242AKC*	EP*42J****+MV16J22****+TXV	39000	11.5	10.2	3000	1435

TD1=AMA001TDA Indoor Blower Time Delay Kit, required to make SEER indicated. All products using an electronic fan control satisfy TD1 requirements. TXV=Thermostatic Expansion Valve, TXV153 (AMF153) replaces HTXV1,2 or 3 where listed in ratings, TXV335 (AMF335) Replaces HTXV4 or 5 where listed in ratings. EP* = EPA, EPD, EPM series of coils. EX* = EXA, EXD, EXM series of coils.

PERFORMANCE DATA COOLING

Outdoor Model	Indoor Model	Cooling Capacity(MBtuh)	SEER Rating (Btuh/watt)	EER Rating (Btuh/watt)	Outdoor Coil Air (SCFM)	Indoor Coil Air (SCFM)
NAC242AKC*	EP*48J****+MV16J22****+TXV	40000	12.5	11	3000	1415
NAC242AKC*	EP*48N****+MV20N26****+TXV	40000	12.5	11.15	3000	1245
NAC242AKC*	EP*60J****+MV16J22****+TXV	41000	13	11.3	3000	1480
NAC242AKC*	EP*60N****+MV20N26****+TXV	40500	13	11.35	3000	1285
NAC242AKC*	EX*42J****+*8MPV075	40500	12	10.5	3000	1395
NAC242AKC*	EX*48J****+*8MPV100	40500	12.5	10.9	3000	1425
NAC242AKC*	EX*48J****+*8MPV125	40500	12.2	10.85	3000	1435
NAC242AKC*	EX*48J****+*9MPV100	40500	12.2	10.65	3000	1435
NAC242AKC*	EX*48L****+*8MPV100	40500	12.2	10.9	3000	1425
NAC242AKC*	EX*48L****+*8MPV125	40500	12.2	10.85	3000	1435
NAC242AKC*	EX*48L****+*9MPV100	40500	12.2	10.65	3000	1435
NAC242AKC*	EX*48N****+*9MPV125	40500	12	10.6	3000	1435
NAC242AKC*	EP*48F****+*8MPV100+TXV	40000	12.4	10.85	3000	1240
NAC242AKC*	EP*48F****+*8MPV100	40000	12.2	10.85	3000	1240
NAC242AKC*	EP*48F****+*8MPV125+TXV	40000	12.4	10.8	3000	1230
NAC242AKC*	EP*48F****+*8MPV125	40000	12.2	10.8	3000	1230
NAC242AKC*	EP*48F****+*9MPV100+TXV	40000	12.2	10.7	3000	1220
NAC242AKC*	EP*48F****+*9MPV100	40000	12	10.7	3000	1220
NAC242AKC*	EP*48J****+*8MPV100+TXV	40000	12.5	10.95	3000	1270
NAC242AKC*	EP*48J****+*8MPV100	40000	12.3	10.95	3000	1270
NAC242AKC*	EP*48J****+*8MPV125+TXV	40000	12.5	10.9	3000	1260
NAC242AKC*	EP*48J****+*8MPV125	40000	12.3	10.9	3000	1260
NAC242AKC*	EP*48J****+*9MPV100+TXV	40000	12.4	10.8	3000	1245
NAC242AKC*	EP*48J****+*9MPV100	40000	12.2	10.8	3000	1245
NAC242AKC*	EP*48F****+*9MPV100+TXV	40000	12.1	10.65	3000	1220
NAC242AKC*	EP*48F****+*9MPV100	40000	12	10.65	3000	1220
NAC242AKC*	EP*48J****+*8MPV075+TXV	40000	12	10.6	3000	1330
NAC242AKC*	EP*48J****+*8MPV075	40000	12	10.6	3000	1330
NAC242AKC*	EP*48J****+*8MPV100+TXV	40000	12.4	10.9	3000	1270
NAC242AKC*	EP*48J****+*8MPV100	40000	12.2	10.9	3000	1270
NAC242AKC*	EP*48J****+*8MPV125+TXV	40000	12.4	10.85	3000	1260
NAC242AKC*	EP*48J****+*8MPV125	40000	12.2	10.85	3000	1260
NAC242AKC*	EP*48J****+*9MPV100+TXV	40000	12.3	10.75	3000	1245
NAC242AKC*	EP*48J****+*9MPV100	40000	12.2	10.75	3000	1245
NAC242AKC*	EP*48J****+*9MPV125+TXV	40000	12.2	10.7	3000	1245
NAC242AKC*	EP*48J****+*9MPV125	40000	12.2	10.7	3000	1245
NAC242AKC*	EP*48L****+*8MPV100+TXV	40000	12.5	10.9	3000	1275
NAC242AKC*	EP*48L****+*8MPV100	40000	12.3	10.9	3000	1275
NAC242AKC*	EP*48L****+*8MPV125+TXV	40000	12.4	10.85	3000	1265
NAC242AKC*	EP*48L****+*8MPV125	40000	12.2	10.85	3000	1265
NAC242AKC*	EP*48L****+*9MPV100+TXV	40000	12.3	10.75	3000	1250
NAC242AKC*	EP*48L****+*9MPV100	40000	12.2	10.75	3000	1250
NAC242AKC*	EP*48L****+*9MPV125+TXV	40000	12.3	10.7	3000	1250
NAC242AKC*	EP*48L****+*9MPV125	40000	12.2	10.7	3000	1250
NAC242AKC*	EP*48N****+*8MPV100+TXV	40000	12.5	10.9	3000	1280
NAC242AKC*	EP*48N****+*8MPV100	40000	12.3	10.9	3000	1280
NAC242AKC*	EP*48N****+*8MPV125+TXV	40000	12.4	10.85	3000	1270
NAC242AKC*	EP*48N****+*8MPV125	40000	12.2	10.85	3000	1270
NAC242AKC*	EP*48N****+*9MPV100+TXV	40000	12.3	10.8	3000	1255
NAC242AKC*	EP*48N****+*9MPV100	40000	12.2	10.8	3000	1255
NAC242AKC*	EP*48N****+*9MPV125+TXV	40000	12.3	10.7	3000	1255
NAC242AKC*	EP*48N****+*9MPV125	40000	12.2	10.7	3000	1255
NAC242AKC*	EP*60J****+*8MPV100+TXV	41000	12.6	11.15	3000	1340
NAC242AKC*	EP*60J****+*8MPV100	41000	12.5	11.15	3000	1340

TD1=AMA001TDA Indoor Blower Time Delay Kit, required to make SEER indicated. All products using an electronic fan control satisfy TD1 requirements. TXV=Thermostatic Expansion Valve, TXV153 (AMF153) replaces HTXV1,2 or 3 where listed in ratings, TXV335 (AMF335) Replaces HTXV4 or 5 where listed in ratings. EP* = EPA, EPD, EPM series of coils. EX* = EXA, EXD, EXM series of coils.

PERFORMANCE DATA COOLING

Outdoor Model	Indoor Model	Cooling Capacity(MBtuh)	SEER Rating (Btuh/watt)	EER Rating (Btuh/watt)	Outdoor Coil Air (SCFM)	Indoor Coil Air (SCFM)
NAC242AKC*	EP*60J****+*8MPV125+TXV	41000	12.6	11.1	3000	1330
NAC242AKC*	EP*60J****+*8MPV125	41000	12.5	11.1	3000	1330
NAC242AKC*	EP*60J****+*9MPV100+TXV	41000	12.6	11	3000	1305
NAC242AKC*	EP*60J****+*9MPV100	41000	12.5	11	3000	1305
NAC242AKC*	EP*60J****+*9MPV125+TXV	41000	12.5	10.95	3000	1310
NAC242AKC*	EP*60J****+*9MPV125	41000	12.4	10.95	3000	1310
NAC242AKC*	EP*60L****+*8MPV100+TXV	41000	12.6	11.15	3000	1340
NAC242AKC*	EP*60L****+*8MPV100	41000	12.5	11.15	3000	1340
NAC242AKC*	EP*60L****+*8MPV125+TXV	41000	12.6	11.1	3000	1330
NAC242AKC*	EP*60L****+*8MPV125	41000	12.5	11.1	3000	1330
NAC242AKC*	EP*60L****+*9MPV100+TXV	41000	12.6	11	3000	1305
NAC242AKC*	EP*60L****+*9MPV100	41000	12.5	11	3000	1305
NAC242AKC*	EP*60L****+*9MPV125+TXV	41000	12.5	10.95	3000	1310
NAC242AKC*	EP*60L****+*9MPV125	41000	12.4	10.95	3000	1310
NAC242AKC*	EP*60N****+*8MPV100+TXV	41000	12.6	11.15	3000	1320
NAC242AKC*	EP*60N****+*8MPV100	41000	12.5	11.15	3000	1320
NAC242AKC*	EP*60N****+*8MPV125+TXV	41000	12.6	11.05	3000	1310
NAC242AKC*	EP*60N****+*8MPV125	41000	12.5	11.05	3000	1310
NAC242AKC*	EP*60N****+*9MPV100+TXV	41000	12.6	10.95	3000	1290
NAC242AKC*	EP*60N****+*9MPV100	41000	12.5	10.95	3000	1290
NAC242AKC*	EP*60N****+*9MPV125+TXV	41000	12.5	10.9	3000	1290
NAC242AKC*	EP*60N****+*9MPV125	41000	12.4	10.9	3000	1290
NAC248AKC*	EP*60N****+TD1	47000	12	10.6	3000	1600
NAC248AKC*	EP*48F****+TD1	45000	11.5	10.45	3000	1300
NAC248AKC*	EP*48J****+TD1	46000	11.5	10.55	3000	1400
NAC248AKC*	EP*48J****+NTV6100	47000	12	10.9	3000	1545
NAC248AKC*	EP*48J****+*8MPV100	47000	11.6	10.65	3000	1565
NAC248AKC*	EP*48J****+MV16J22****	47000	12	10.95	3000	1595
NAC248AKC*	EP*48L****+TD1	46000	11.5	10.55	3000	1400
NAC248AKC*	EP*48L****+NTV6125	47000	12	10.95	3000	1520
NAC248AKC*	EP*48L****+*8MPV125	47000	11.6	10.6	3000	1555
NAC248AKC*	EP*48N****+TD1	46000	11.5	10.55	3000	1400
NAC248AKC*	EP*48N****+MV20N26****	47500	12	11	3000	1605
NAC248AKC*	EP*60J****+TD1	47000	12	10.6	3000	1600
NAC248AKC*	EP*60J****+NTV6100	48000	12.5	11.1	3000	1610
NAC248AKC*	EP*60J****+*8MPV100	48000	12.3	10.85	3000	1630
NAC248AKC*	EP*60J****+MV16J22****	48000	12.5	11.15	3000	1660
NAC248AKC*	EP*60L****+TD1	47000	12	10.6	3000	1600
NAC248AKC*	EP*60L****+NTV6125	48000	12.3	11.15	3000	1575
NAC248AKC*	EP*60L****+*8MPV125	48000	12.1	10.8	3000	1615
NAC248AKC*	EP*60N****+MV20N26****	48000	12.3	11.2	3000	1655
NAC248AKC*	EX*48N****+TD1	47000	11.5	10.65	3000	1500
NAC248AKC*	EX*48N****+MV20N26****	48000	12	11.15	3000	1625
NAC248AKC*	EX*60N****	48000	12	11	3000	1600
NAC248AKC*	EX*60N****+MV20N26****	48000	12.5	11.6	3000	1645
NAC248AKC*	EBP48****	48000	11.4	10.45	3000	1600
NAC248AKC*	EBP60****	48000	11.4	10.5	3000	1600
NAC248AKC*	EBX48****	48000	12	10.75	3000	1600
NAC248AKC*	EBX60****	48000	12	10.85	3000	1600
NAC248AKC*	EP*48F****+TD1+TXV	45000	11.7	10.45	3000	1300
NAC248AKC*	EP*48J****+TD1+TXV	46000	11.6	10.55	3000	1400
NAC248AKC*	EP*48J****+NTV6100+TXV	47000	12.2	10.9	3000	1545
NAC248AKC*	EP*48J****+*8MPV100+TXV	47000	11.7	10.65	3000	1565
NAC248AKC*	EP*48J****+MV16J22****+TXV	47000	12.2	10.95	3000	1595

TD1=AMA001 TDA Indoor Blower Time Delay Kit, required to make SEER indicated. All products using an electronic fan control satisfy TD1 requirements. TXV=Thermostatic Expansion Valve, TXV153 (AMF153) replaces HTXV1,2 or 3 where listed in ratings, TXV335 (AMF335) Replaces HTXV4 or 5 where listed in ratings. EP* = EPA, EPD, EPM series of coils. EX* = EXA, EXD, EXM series of coils.

PERFORMANCE DATA COOLING

Outdoor Model	Indoor Model	Cooling Capacity(MBtuh)	SEER Rating (Btuh/watt)	EER Rating (Btuh/watt)	Outdoor Coil Air (SCFM)	Indoor Coil Air (SCFM)
NAC248AKC*	EP*48L****+TD1+TXV	46000	11.7	10.55	3000	1400
NAC248AKC*	EP*48L****+NTV6125+TXV	47000	12.2	10.95	3000	1520
NAC248AKC*	EP*48L****+*8MPV125+TXV	47000	11.7	10.6	3000	1555
NAC248AKC*	EP*48N****+TD1+TXV	46000	11.6	10.55	3000	1400
NAC248AKC*	EP*48N****+MV20N26****+TXV	47500	12.1	11	3000	1605
NAC248AKC*	EP*60J****+TD1+TXV	47500	11.7	10.6	3000	1600
NAC248AKC*	EP*60J****+NTV6100+TXV	48000	12.2	11.1	3000	1610
NAC248AKC*	EP*60J****+*8MPV100+TXV	48000	12.1	10.85	3000	1630
NAC248AKC*	EP*60J****+*9MPV100+TXV	47000	12.1	10.9	3000	1460
NAC248AKC*	EP*60J****+MV16J22****+TXV	48000	12.2	11.2	3000	1660
NAC248AKC*	EP*60L****+TD1+TXV	47000	11.7	10.6	3000	1600
NAC248AKC*	EP*60L****+NTV6125+TXV	48000	12.4	11.15	3000	1575
NAC248AKC*	EP*60L****+*8MPV125+TXV	48000	12	10.8	3000	1615
NAC248AKC*	EP*60L****+*9MPV125+TXV	47000	12	10.8	3000	1455
NAC248AKC*	EP*60N****+TD1+TXV	47000	11.7	10.6	3000	1600
NAC248AKC*	EP*60N****+MV20N26****+TXV	48000	12.4	11.2	3000	1655
NAC248AKC*	EBP48****+TXV	48000	11.6	10.5	3000	1600
NAC248AKC*	EBP60****+TXV	48000	11.6	10.55	3000	1600
NAC260AKC*	EX*60N****+TD1	55000	12	10.4	3200	1700
NAC260AKC*	EP*60J****+TD1+TXV	52500	11	9.9	3200	1700
NAC260AKC*	EP*60J****+MV20N26****+TXV	53000	11.5	10.2	3200	1845
NAC260AKC*	EP*60L****+TD1+TXV	52500	11	9.9	3200	1700
NAC260AKC*	EP*60L****+MV20N26****+TXV	53000	11.5	10.2	3200	1845
NAC260AKC*	EP*60N****+TD1+TXV	52500	11	9.9	3200	1700
NAC260AKC*	EP*60N****+MV20N26****+TXV	53000	11.5	10.2	3200	1840
NAC260AKC*	EX*60J****+TD1	55000	12	10.4	3200	1700
NAC260AKC*	EX*60J****+MV20N26****	56000	12.2	10.7	3200	1835
NAC260AKC*	EX*60L****+TD1	55000	12	10.4	3200	1700
NAC260AKC*	EX*60L****+MV20N26****	56000	12.2	10.7	3200	1835
NAC260AKC*	EX*60N****+MV20N26****	56000	12.2	10.7	3200	1830
NAC260AKC*	EBP60****+TXV	54500	11	9.95	3200	1700
NAC260AKC*	EBV60****	56000	12	10.7	3200	1700
NAC260AKC*	EBX60****	55500	11.5	10.25	3200	1700
NAC260AKC*	EP*60J****+*8MPV100+TXV	52500	11.5	9.95	3200	1785
NAC260AKC*	EP*60J****+*8MPV125+TXV	52500	11	9.8	3200	1790
NAC260AKC*	EP*60J****+*9MPV100+TXV	52500	11	9.55	3200	1815
NAC260AKC*	EP*60J****+*9MPV125+TXV	52500	11	9.5	3200	1810
NAC260AKC*	EP*60L****+*8MPV100+TXV	52500	11.5	9.95	3200	1780
NAC260AKC*	EP*60L****+*8MPV125+TXV	52500	11	9.8	3200	1790
NAC260AKC*	EP*60L****+*9MPV100+TXV	52500	11	9.55	3200	1815
NAC260AKC*	EP*60L****+*9MPV125+TXV	52500	11	9.5	3200	1810
NAC260AKC*	EP*60N****+*8MPV100+TXV	52500	11.5	9.95	3200	1785
NAC260AKC*	EP*60N****+*8MPV125+TXV	52500	11	9.8	3200	1795
NAC260AKC*	EP*60N****+*9MPV100+TXV	52500	11	9.55	3200	1820
NAC260AKC*	EP*60N****+*9MPV125+TXV	52500	11	9.5	3200	1815
NAC260AKC*	EX*60J****+*8MPV100	56000	12	10.4	3200	1775
NAC260AKC*	EX*60J****+*8MPV125	55500	11.5	10.25	3200	1785
NAC260AKC*	EX*60J****+*9MPV100	55500	11.5	10	3200	1810
NAC260AKC*	EX*60J****+*9MPV125	55500	11.5	9.95	3200	1805
NAC260AKC*	EX*60L****+*8MPV100	56000	12	10.4	3200	1775
NAC260AKC*	EX*60L****+*8MPV125	55500	11.5	10.25	3200	1785
NAC260AKC*	EX*60L****+*9MPV100	55500	11.5	10	3200	1810
NAC260AKC*	EX*60L****+*9MPV125	55500	11.5	9.95	3200	1805
NAC260AKC*	EX*60N****+*8MPV100	56000	12	10.4	3200	1770
NAC260AKC*	EX*60N****+*8MPV125	55500	11.5	10.25	3200	1775
NAC260AKC*	EX*60N****+*9MPV100	55500	11.5	10	3200	1805
NAC260AKC*	EX*60N****+*9MPV125	55500	11.5	9.95	3200	1795

TD1=AMA001TDA Indoor Blower Time Delay Kit, required to make SEER indicated. All products using an electronic fan control satisfy TD1 requirements. TXV=Thermostatic Expansion Valve, TXV153 (AMF153) replaces HTXV1,2 or 3 where listed in ratings, TXV335 (AMF335) Replaces HTXV4 or 5 where listed in ratings. EP* = EPA, EPD, EPM series of coils. EX* = EXA, EXD, EXM series of coils.

MODEL NUMBER IDENTIFICATION GUIDE

MODEL NUMBER N AC 0 24 A K A PRODUCT FAMILY N = Brand	SALES CODE ELECTRICAL K = 208/230-1-60 H = 208/230-3-60
PRODUCT TYPE AC = Air Conditioning CA = Condenser A/C HP = Heat Pump CH = Condenser H/P	CONNECTIONS A = Sweat / Valve G = Sweat / Valve w/Coil Guard M = Mesh
NOMINAL SEER RATING 0 = 10 2 = 12 4 = 14	NOMINAL CAPACITY MBTUH 18 = 18,000 24 = 24,000 30 = 30,000 36 = 36,000 42 = 42,000 48 = 48,000 60 = 60,000

EXTENDED REFRIGERANT LINE CORRECTION FACTORS

Varying Line Length in Feet (m) vs. Total Capacity Multiplier

25 (8)	50 (15)	75 (23)	100 (30)	125 (38)	150 (46)
1.00	.99	.98	.96	.94	.92

REFRIGERANT CHARGE DATA

All models are factory charged with R-22 for outdoor unit, 15' (8m) of refrigerant line and matching indoor section.
 Refrigerant charge correction per foot (305mm) of line:
 1/4" O.D. = .25 oz.; 5/16" O.D. = .45 oz.; 3/8" O.D. = .60 oz.;
 1/2" O.D. = 1.2 oz.

VOLTAGE CORRECTION FACTORS

Volts	Capacity	Watts
208	.98	.99

INDOOR AIRFLOW CORRECTION TABLE

% Rated Air	90	95	100	105	110
Total Cap. Mult.	.98	.99	1.00	1.01	1.03
Sens Cap. Mult.	.95	.98	1.00	1.03	1.05

INDOOR TEMPERATURE CORRECTION TABLE

(Based on 95°F Ambient)

Indoor D.B. °F (°C)	Correction Factor	Entering Indoor Wet Bulb °F (°C)						
		59 (15)	61 (16)	63 (17)	65 (18)	67 (19)	69 (20)	71 (21)
70 (21)	Total Cap. Mult.	.90	.93	.96	.99	1.02	-	-
	Sens Cap. Mult.	.86	.85	.82	.77	.70	-	-
75 (24)	Total Cap. Mult.	.89	.92	.95	.98	1.01	1.04	-
	Sens Cap. Mult.	1.04	1.03	1.00	.95	.88	.78	-
80 (26)	Total Cap. Mult.	.88	.91	.94	.97	1.00	1.03	1.06
	Sens Cap. Mult.	1.18	1.17	1.14	1.08	1.00	.89	.73
85 (29)	Total Cap. Mult.	-	.90	.93	.96	.99	1.02	1.05
	Sens Cap. Mult.	-	1.29	1.26	1.20	1.11	.98	.81

Bold Type = approximately 50% Relative Humidity