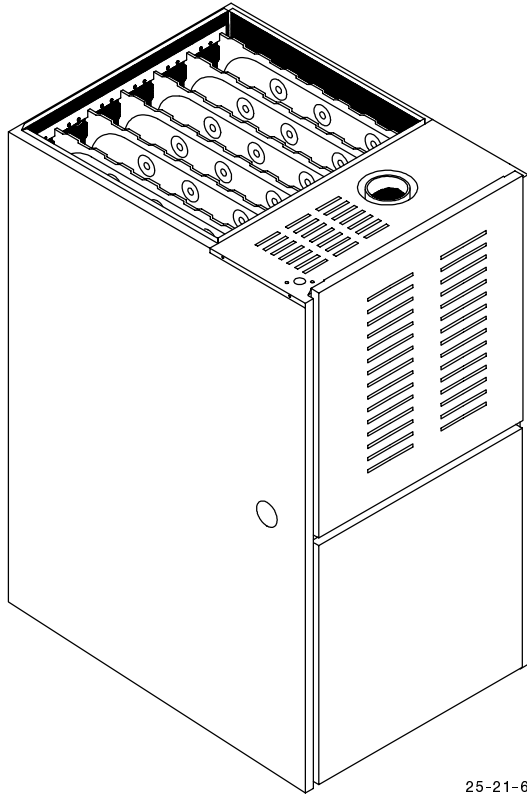


Technical Support Manual

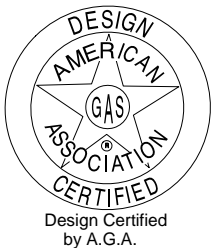
Models



25-21-65

NTN3050FBA2	NBF050B12A2
NTN3075FBA2	NBF075B12A2
NTN3075HFA2	NBF075F16A2
NTN3100KFA2	NBF100F20A2
NTN3100KJA2	NBF100J20A2
NTN3100LJA2	NBF100J22A2
NTN3125KJA2	NBF125J20A2
NTN3125LJA2	NBF125J22A2
NTN3075FBA3	NBF075B12A3
NTN3075HFA3	NBF075F16A3
NTN3125KJA3	NBF125J20A3
NTN3125LJA3	NBF125J22A3
NTG3050FBA4	FBF050B12A4
NTG3075FBA4	FBF075B12A4
NTG3075HFA4	FBF075F16A4
NTG3100GFA4	FBF100F14A4
NTG3100KFA4	FBF100F20A4
NTG3100LJA4	FBF100J22A4
NTG3125KJA4	FBF125J20A4
NTG3125LJA4	FBF125J22A4
NTG3075FBA5	FBF075B12A5
NTG3075HFA5	FBF075F16A5
NTG3125KJA5	FBF125J20A5
NTG3125LJA5	FBF125J22A5

FAN ASSISTED COMBUSTION GAS FURNACES



Manufactured by:

International Comfort Products Corporation (USA)
Lewisburg, TN USA 37091



Save This Manual For Future Reference

Manufacturers Number (Mfr No -See Rating Plate)		
ALL Models		
Specifications		
General		
Gas Type	Nat	LP
Transformer Size (VA)	40	40
T'stat Heat Anticipator	.30	.30
Gas & Ignition		
Gas Valve	HW VR 8204	HW VR 8204
Regulation Type	SNAP	SNAP
Manifold Press. (Inch's WC)	3.5	10.0
Pilot Orifice Size	.018	.011
Ignition Type/Series	HW S8600	HW S8600
Lock-Out Time	NA	NA
Combustion		
Flue Outlet Size (Inches)	3	3
Std. Outlet Temp (°F)	<480	<480
Limits & Controls		
Fan Control (Type)	HW ST9120	HW ST9120
Fan Control On	30/60	30/60
(Timed-secs) Off	60,100,140,180	60,100,140,180
Gas Conversion Kits		
Nat to LP	NAHF002LP or NAHL002LP	
LP to Nat	NAHF002NG	

Specifications																	
	NTN3050FB/ NBF050B12 NTG3050FB /FBF050B12		NTN3075FB/ NBF075B12 NTG3075FB /FBF075B12		NTN3075HF/ NBF075F16 NTG3075HF /FBF075F16		NTN3100KF/ NBF100F20		NTN3100KJ/ NBF100J20 NTG3100KF /FBF100F20		NTN3100LJ/ NBF100J22 NTG3100LJ/ FBF100J22		NTN3125KJ/ NBF125J20 NTG3125KJ/ FBF125J20		NTN3125LJ/ NBF125J22 NTG3125LJ/ FBF125J22		
General																	
Input (Btuh)	50,000		75,000		75,000		100,000		100,000		100,000		125,000		125,000		
Output (Btuh)	40,000		59,000		59,000		79,000		79,000		79,000		99,000		99,000		
Temp. Rise (°F)	35-65		35-65		25-55		35-65		35-65		40-70		40-70		40-70		
Electrical (Volts/Hz/FLA)	115/60/5.3		115/60/5.3		115/60/12.0		115/60/12.0		115/60/12.0		115/60/12.0		115/60/12.0		115/60/12.0		
Gas & Ignition																	
Gas Type	Nat	LP	Nat	LP	Nat	LP	Nat	LP	Nat	LP	Nat	LP	Nat	LP	Nat	LP	
Std. Main Orifices (No/Size)	2/#42	2/#54	3/#42	3/#54	2/#42	2/#54	4/#42	4/#54	4/#42	4/#54	4/#42	4/#54	5/#42	5/#54	5/#42	5/#54	
Limits & Controls																	
Thermal Sensor (°F)	300		300		300		300		300		300		300		300		
Limit Control Setting (°F)	See Parts List		See Parts List		See Parts List		See Parts List		See Parts List		See Parts List		See Parts List		See Parts List		
Auxiliary Limit (°F)	130		130		130		130		130		130		130		130		
Std. Pressure Sw. (Part No)	1010897		1010897		1010897		1010896		1010896		1010898		1010898		1010898		
Press (Close)	-0.50		-0.50		-0.50		-0.60		-0.60		-0.75		-0.75		-0.75		
Press (Open)	-0.40		-0.40		-0.40		-0.50		-0.50		-0.65		-0.65		-0.65		
Blower Data																	
Type & Size	10-8		10-8		10-10		10-10		11-10		11-10		11-10		11-10		
Motor Amps/Rpm	6.5/1050		6.5/1050		10.3/1100		11.9/900		11.9/900		11.9/900		11.9/900		11.9/900		
Motor Type/H.p.	PSC ¹ / ₃		PSC ¹ / ₃		PSC ¹ / ₂		PSC ³ / ₄		PSC ³ / ₄		PSC ³ / ₄		PSC ³ / ₄		PSC ³ / ₄		
Cap. Mfd/Volts	5/370		5/370		10/370		10/370		10/370		10/370		10/370		10/370		
Filter Type	Washable		Washable		Washable		Washable		Washable		Washable		Washable		Washable		
Filter Size (")	14x25x1		14x25x1		16x25x1		16x25x1		16x25x1		16x25x1		16x25x1 (2)		16x25x1		
Min. Cool Cap. (Tons)	1.5		1.5		3		3		3		3		3		3		
Max. Cool Cap. (Tons)	3		3		4		5		5		5		5		5		

CIRCULATION AIR BLOWER DATA

NTG3050FB/FBF050B12, NTN3050FB/NBF050B12, NTG3075FB/FBF075B12, NTN3075FB/NBF075B12

External Static Pressure Inches of W.C.	Air Delivery in Cubic Feet per Minute (C.F.M.) (Furnace Rated @0.5" WC ESP)					
	TAP	LOW	MED L	MED	MED H	HIGH
	.10	675	859	--	1015	1394
	.20	662	468	--	999	1342
	.30	651	819	--	977	1289
	.40	636	795	--	952	1227
	.50	608	765	--	914	1163
	.60	564	735	--	870	1086
.70	514	685	--	818	1002	

External Static Pressure Inches of W.C.	Air Delivery in Liters Per Second (L/S) (Furnace Rated @0.5" WC ESP)					
	TAP	LOW	MED L	MED	MED H	HIGH
	.10	318	405	--	479	658
	.20	312	399	--	472	633
	.30	307	387	--	461	608
	.40	300	375	--	449	579
	.50	287	361	--	431	549
	.60	266	347	--	411	513
.70	243	323	--	386	473	

NTN3075HFA/NBF075F16A & NTG3075HFA/FBF075F16A

External Static Pressure Inches of W.C.	Air Delivery in Cubic Feet per Minute (C.F.M.) (Furnace Rated @0.5" WC ESP)					
	TAP	LOW	MED L	MED	MED H	HIGH
	.10	1503	1722	--	--	1887
	.20	1460	1660	--	--	1810
	.30	1420	1608	--	--	1752
	.40	1370	1540	--	--	1670
	.50	1318	1484	--	--	1599
	.60	1250	1400	--	--	1520
.70	1182	1322	--	--	1425	

External Static Pressure Inches of W.C.	Air Delivery in Liters Per Second (L/S) (Furnace Rated @0.5" WC ESP)					
	TAP	LOW	MED L	MED	MED H	HIGH
	.10	709	812	--	--	891
	.20	689	784	--	--	854
	.30	670	759	--	--	827
	.40	647	727	--	--	788
	.50	622	700	--	--	755
	.60	590	661	--	--	717
.70	558	624	--	--	673	

NTN3100KFA/NBF100F20A, NTN3100KJA/NBF100J20A & NTG3100KFA/FBF100F20A

External Static Pressure Inches of W.C.	Air Delivery in Cubic Feet per Minute (C.F.M.) (Furnace Rated @0.5" WC ESP)					
	TAP	LOW	MED L	MED	MED H	HIGH
	.10	1210	1441	--	1773	2104
	.20	1201	1430	--	1740	2078
	.30	1197	1453	--	1740	2061
	.40	1191	1441	--	1718	2020
	.50	1167	1425	--	1707	2005
	.60	1160	1390	--	1676	1953
.70	1130	1365	--	1654	1917	

External Static Pressure Inches of W.C.	Air Delivery in Liters Per Second (L/S) (Furnace Rated @0.5" WC ESP)					
	TAP	LOW	MED L	MED	MED H	HIGH
	.10	571	680	--	837	993
	.20	567	675	--	821	981
	.30	565	686	--	821	973
	.40	562	680	--	811	953
	.50	552	673	--	806	946
	.60	548	656	--	791	922
.70	533	644	--	781	905	

NTN3100LJA/NBF100J22A, NTG3100LJA/FBF100J22A, NTN3125LJA/NBF125J22A & NTG3125LJA/FBF125J22A

External Static Pressure Inches of W.C.	Air Delivery in Cubic Feet per Minute (C.F.M.) (Furnace Rated @0.5" WC ESP)					
	TAP	LOW	MED L	MED	MED H	HIGH
	.10	1598	1864	--	2131	2383
	.20	1586	1839	--	2086	2340
	.30	1574	1814	--	2048	2299
	.40	1550	1786	--	2018	2253
	.50	1516	1752	--	1976	2193
	.60	1481	1699	--	1914	2136
.70	1441	1630	--	1865	2072	

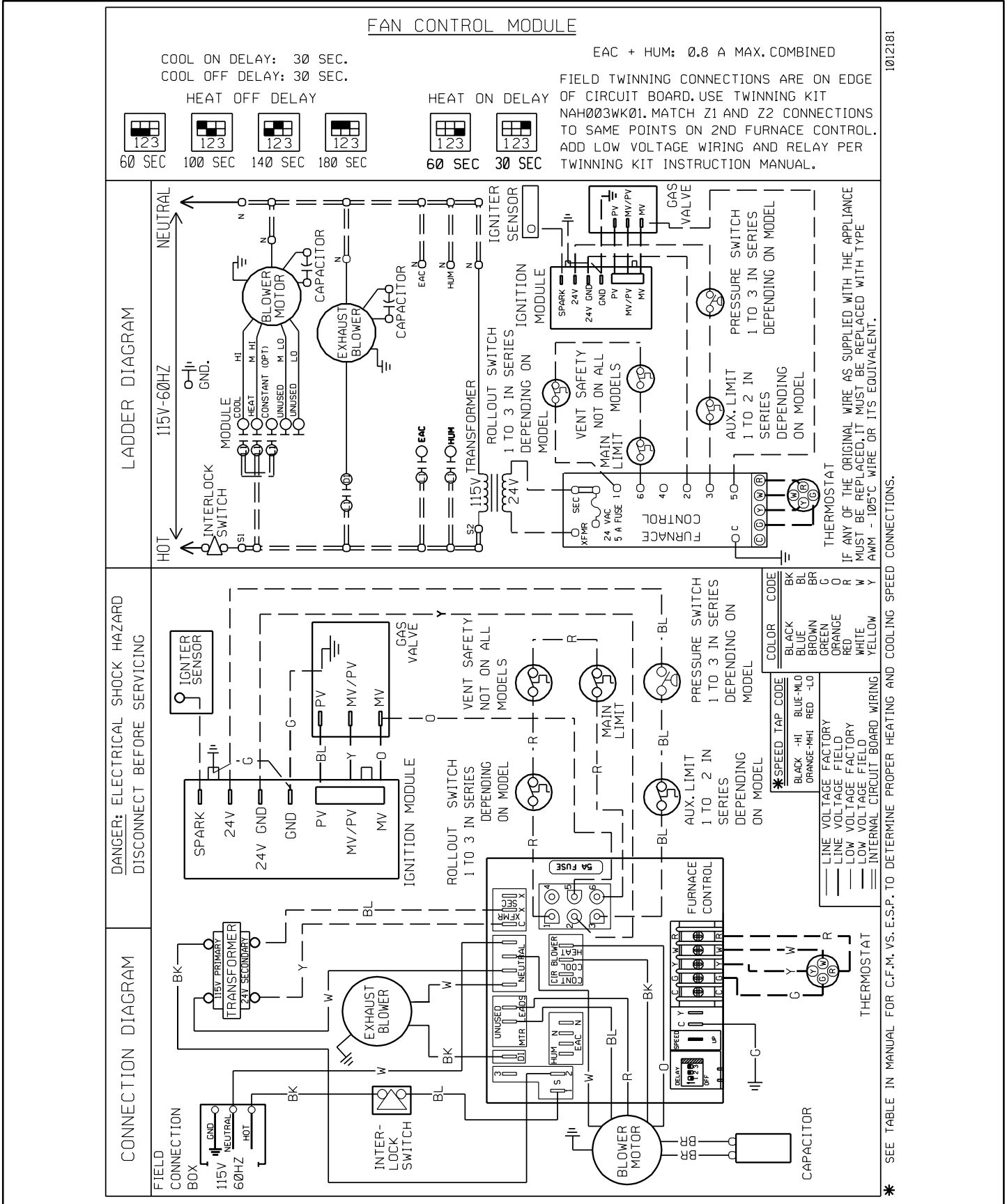
External Static Pressure Inches of W.C.	Air Delivery in Liters Per Second (L/S) (Furnace Rated @0.5" WC ESP)					
	TAP	LOW	MED L	MED	MED H	HIGH
	.10	754	880	--	1006	1125
	.20	749	868	--	984	1104
	.30	743	856	--	967	1084
	.40	732	843	--	952	1063
	.50	716	826	--	933	1035
	.60	699	803	--	903	1008
.70	680	769	--	880	978	

NTN3125KJA/NBF125J20A & NTG3125KJA/FBF125J20A

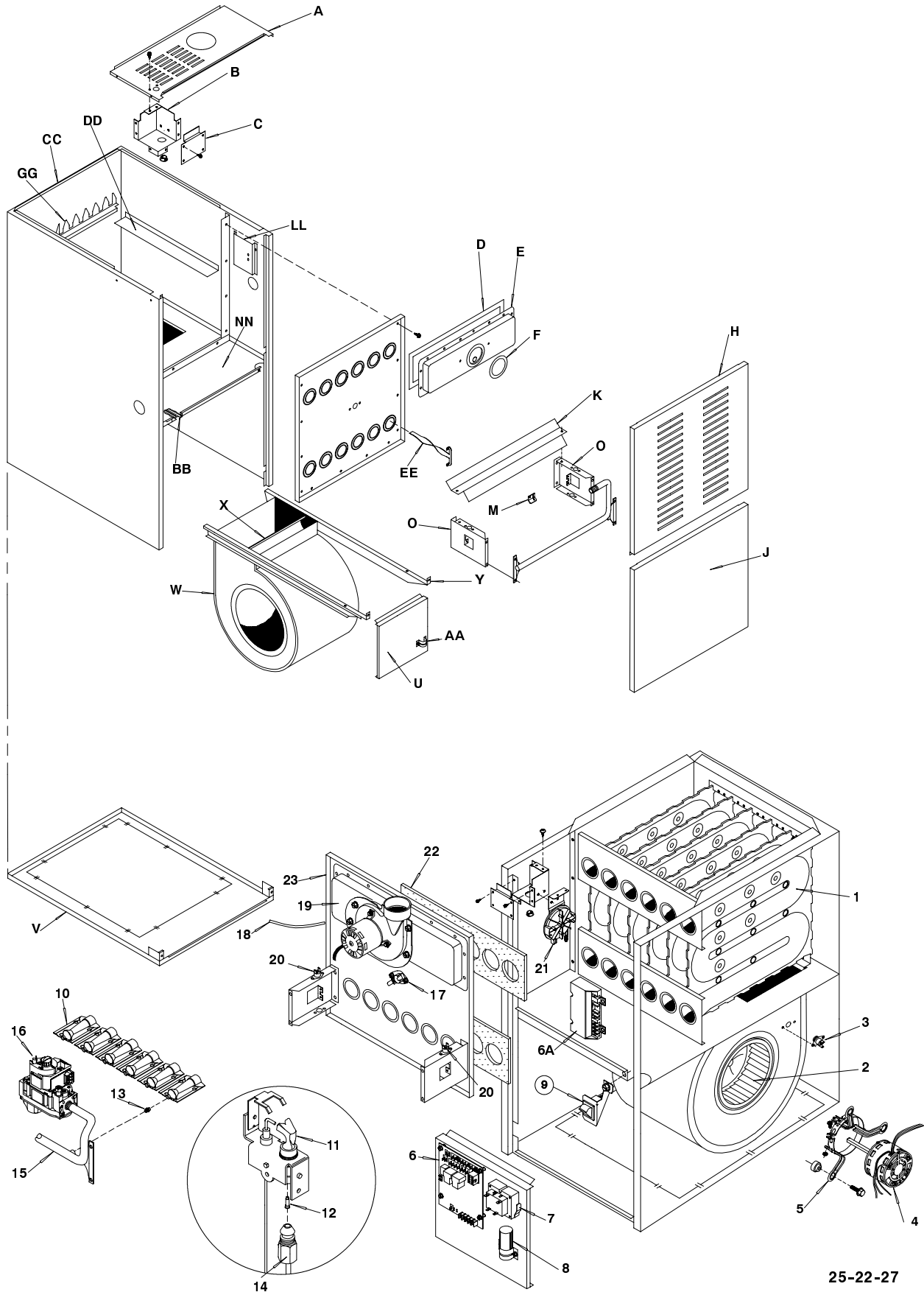
External Static Pressure Inches of W.C.	Air Delivery in Cubic Feet per Minute (C.F.M.) (Furnace Rated @0.5" WC ESP)					
	TAP	LOW	MED L	MED	MED H	HIGH
	.10	1264	1520	--	1841	2161
	.20	1251	1506	--	1803	2132
	.30	1249	1486	--	1772	2079
	.40	1219	1456	--	1736	2042
	.50	1168	1427	--	1702	1991
	.60	1178	1415	--	1672	1914
.70	1143	1358	--	1614	1838	

External Static Pressure Inches of W.C.	Air Delivery in Liters Per Second (L/S) (Furnace Rated @0.5" WC ESP)					
	TAP	LOW	MED L	MED	MED H	HIGH
	.10	597	1520	--	1841	2161
	.20	590	1506	--	1803	2132
	.30	1249	1486	--	1772	2079
	.40	1219	1456	--	1736	2042
	.50	1168	1427	--	1702	1991
	.60	1178	1415	--	1672	1914
.70	1143	1358	--	1614	1838	

1. Wiring Diagram



2. NTG3/FBF & NTN3/NBF



25-22-27

Replacement Parts - NTN3/NBF (Natural Gas)

Models - NTN3050FBA, NTN3075FBA, NTN3075HFA, NTN3100KFA, NTN3100KJA, NTN3100LJA, NTN3125KJA, NTN3125LJA: & NBF050B12A, NBF075B12A, NBF075F16A, NBF100F14A, NBF100F20A, NBF100J22A, NBF125J20A, NBF125J22A

Replacement part supplied will be current active part. For parts not listed, consult place of purchase.

Key No.	Description	Part Number	NTN3/NBF											
			050 FBA2/ B12A2	075 FBA2/ B12A2	075 FBA3/ B12A3	075 HFA2/ F16A2	075 HFA3/ F16A3	100 KFA2/ F20A2	100 KJA2/ F20A2	100 LJA2/ J22A2	125 KJA2/ J20A2	125 KJA3/ J20A3	125 LJA2/ J22A2	125 LJA2/ J22A2
1	Heat Exchanger	1011544	1	-	-	-	-	-	-	-	-	-	-	-
		1011358	-	1	-	-	-	-	-	-	-	-	-	-
		1011364	-	-	-	-	-	1	-	-	-	-	-	-
		1011365	-	-	-	-	-	-	-	-	1	-	1	-
		1012406	-	-	1	-	-	-	-	-	-	-	-	-
		1011359	-	-	-	1	-	-	-	-	-	-	-	-
		1012407	-	-	-	-	1	-	-	-	-	-	-	-
		1011363	-	-	-	-	-	-	1	1	-	-	-	-
2	Blower Wheel 10-10 DD	601210	-	-	-	1	1	-	-	-	-	-	-	-
		600587	1	1	1	-	-	-	-	-	-	-	-	
		1011420	-	-	-	-	-	1	1	1	1	1	1	
3	Switch, Auxiliary Limit	1000735	2	2	2	2	2	2	2	2	2	2	2	
		4	Blower Motor 115V $\frac{1}{3}$ HP	1009054	1	1	1	-	-	-	-	-	-	-
1012119	-			-	-	1	1	-	-	-	-	-	-	
1011404	-			-	-	-	-	-	1	-	1	1	-	-
1010263	-			-	-	-	-	1	-	-	-	-	-	-
1011906	-			-	-	-	-	-	-	1	-	-	1	1
5	Motor Mount Kit	609227	1	1	1	1	1	-	-	-	-	-	-	
		522020024	-	-	-	-	-	1	1	1	1	1	1	
6	Control, Fan Timer	1011927	1	1	1	1	1	1	1	1	1	1	1	
6A	Control, Module	1011449	1	1	1	1	1	1	1	1	1	1	1	
7	Transformer, 40VA	1011626	1	1	1	1	1	1	1	1	1	1	1	
8	Capacitor 10mf 370V	1094956	-	-	-	1	1	1	1	-	1	1	-	
		1094954	1	1	1	-	-	-	-	-	-	-	1	
		1012176	-	-	-	-	-	-	-	1	-	-	1	
9	Switch Door	1010886	1	1	1	1	1	1	1	1	1	1	1	
10	Burner Assembly	1008723	1	-	-	-	-	-	-	-	-	-	-	
		1008724	-	1	1	1	1	-	-	-	-	-	-	
		1008725	-	-	-	-	-	1	1	1	-	-	-	
		1008726	-	-	-	-	-	-	-	1	1	1	1	
11	Pilot/Ignitor Natural	1011477	1	1	1	1	1	1	1	1	1	1	1	
12	Pilot Orifice, NAT (.018)	503211	1	1	1	1	1	1	1	1	1	1	1	
		Pilot Orifice, LP (.011)	1009136	1	1	1	1	1	1	1	1	1	1	
13	Orifice, #42 NAT	1011351	2	3	3	3	3	4	4	4	5	5	5	
		Orifice, #54 LP	1011376	2	3	3	3	3	4	4	5	5	5	
14	Tube, Pilot	64930	1	1	1	1	1	1	1	1	1	1	1	
15	Manifold	1011458	1	-	-	-	-	-	-	-	-	-	-	
		1011459	-	1	1	1	1	-	-	-	-	-	-	
		1011460	-	-	-	-	-	1	1	1	-	-	-	
		1011461	-	-	-	-	-	-	-	1	1	1	1	
16	Valve, Natural	1005597	1	1	1	1	1	1	1	1	1	1		
17	Switch, Limit 270°F	1320365	1	-	-	-	-	-	-	-	-	-	-	
		34333002	-	1	-	-	-	-	-	-	-	-	-	
		200°F	1008418	-	-	-	1	-	-	-	-	-	-	
		195°F	1320363	-	-	-	-	-	1	-	-	-	-	
		130°F	1320364	-	-	-	-	-	-	1	1	-	-	
		150°F	1320362	-	-	-	-	-	-	-	1	-	1	
		250°F	1009169	-	-	1	-	1	-	-	-	-	-	
		190°F	1008445	-	-	-	-	-	-	-	-	1	-	
170°F	1095242	-	-	-	-	-	-	-	-	-	-			
18	Tubing, Silicone 24"	1149483	1	1	1	1	1	1	1	1	1	1		
19	Combustion Blower Assem	1010975	1	1	1	1	1	1	1	1	1	1		
20	Rollout Switch, Limit	1094863	2	2	2	-	-	2	2	2	2	2		
		1005549	-	-	-	2	2	-	-	-	-	-		
21	Switch, Pressure	1010898	1	1	1	1	1	1	1	1	1	1		
22	Heat Exchanger Gaskets	2480904	2	-	-	-	-	-	-	-	-	-	-	
		2480905	-	2	2	2	2	-	-	-	-	-		
		2480906	-	-	-	-	-	2	2	2	-	-		
		2480907	-	-	-	-	-	-	-	-	2	2		

Replacement Parts - NTN3/NBF (Natural Gas)

Models - NTN3050FBA, NTN3075FBA, NTN3075HFA, NTN3100KFA, NTN3100KJA, NTN3100LJA, NTN3125KJA, NTN3125LJA: & NBF050B12A, NBF075B12A, NBF075F16A, NBF100F14A, NBF100F20A, NBF100J22A, NBF125J20A, NBF125J22A

Replacement part supplied will be current active part. For parts not listed, consult place of purchase.

Key No.	Description	Part Number	NTN3/NBF											
			050 FBA2/ B12A2	075 FBA2/ B12A2	075 FBA3/ B12A3	075 HFA2/ F16A2	075 HFA3/ F16A3	100 KFA2/ F20A2	100 KJA2/ F20A2	100 LJA2/ J22A2	125 KJA2/ J20A2	125 KJA3/ J20A3	125 LJA2/ J22A2	125 LJA2/ J22A2
23	Heat Exchanger Frt Partition	1008068	1	-	-	-	-	-	-	-	-	-	-	-
		1008069	-	-	-	-	-	-	-	-	-	-	-	-
		1008070	-	-	-	1	-	-	-	-	-	-	-	-
		1008072	-	-	-	-	-	-	1	-	-	-	-	-
		1008073	-	-	-	-	-	-	-	-	1	-	1	-
		1008071	-	-	-	-	-	-	-	1	1	-	-	-
		1012409	-	1	1	-	-	-	-	-	-	-	-	-
		1012410	-	-	-	-	-	1	-	-	-	-	-	-
		1012411	-	-	-	-	-	-	-	-	-	-	1	-

Key No.	Description	Part Number	NTN3/NBF											
			050 FBA2/ B12A2	075 FBA2/ B12A2	075 FBA3/ B12A3	075 HFA2/ F16A2	075 HFA3/ F16A3	100 KFA2/ F20A2	100 KJA2/ F20A2	100 LJA2/ F22A2	125 KJA2/ J20A2	125 KJA3/ J20A3	125 LJA2/ J22A2	125 LJA3/ J22A3
A	Top	1011534	1	1	1	-	-	-	-	-	-	-	-	-
		1011535	-	-	-	1	1	-	-	-	-	-	-	-
		1011536	-	-	-	-	-	1	-	-	-	-	-	-
		1011537	-	-	-	-	-	-	1	1	1	1	1	1
B	Field Connect Box	1011941	1	1	1	1	1	1	1	1	1	1	1	
C	Cover, Field Connect	1010360	1	1	1	1	1	1	1	1	1	1	1	
D	Gasket, Collector	1093661	1	1	1	1	1	-	-	-	-	-	-	
		1093662	-	-	-	-	-	1	1	1	-	-	-	
		1093663	-	-	-	-	-	-	-	-	1	1	1	1
E	Collector	1011047	1	-	-	-	-	-	-	-	-	-	-	
		1011050	-	1	1	1	1	-	-	-	-	-	-	
		1011053	-	-	-	-	-	1	1	1	-	-	-	
		1011056	-	-	-	-	-	-	-	-	1	1	1	1
F	Gasket, Combustion Blower	1011379	1	1	1	1	1	1	1	1	1	1	1	
H	Door, Louvered	1010174	1	1	1	-	-	-	-	-	-	-	-	
		1010166	-	-	-	1	1	1	-	-	-	-	-	
		1010167	-	-	-	-	-	-	1	1	1	1	1	
J	Door, Blower	1010191	1	1	1	-	-	-	-	-	-	-	-	
		1010190	-	-	-	1	1	1	-	-	-	-	-	
		1010192	-	-	-	-	-	-	1	1	1	1	1	
K	Shield, Burner	1011335	1	1	1	1	1	-	-	-	-	-	-	
		1011336	-	-	-	-	-	1	1	1	-	-	-	
		1011337	-	-	-	-	-	-	-	-	1	1	1	1
M	Bracket, Pilot	1010901	1	1	1	1	1	1	1	1	1	1	1	
O	Manifold Support Bracket	1011820	2	2	2	2	2	2	2	2	2	2	2	
U	Fan Timer Bracket	1012183	1	1	1	1	1	1	1	1	1	1	1	
V	Base	1010112	1	1	1	-	-	-	-	-	-	-	-	
		1010113	-	-	-	1	1	1	-	-	-	-	-	
		1010114	-	-	-	-	-	-	1	1	1	1	1	
W	Blower Housing	1011680	1	1	1	-	-	-	-	-	-	-	-	
		1011681	-	-	-	1	1	-	-	-	-	-	-	
		1010481	-	-	-	-	-	1	1	1	1	1	1	
X	Blower Cutoff	72102008	-	-	-	1	1	1	1	1	1	1	1	
		721020013	1	1	1	-	-	-	-	-	-	-	-	
Y	Blower Hanger	1010690	2	2	2	2	2	2	2	2	2	2	2	
AA	Strap Capacitor	1095020	1	1	1	1	1	1	1	-	1	1	-	
		1095022	-	-	-	-	-	-	-	1	-	-	1	
BB	Rail, Blower Slide	57059	2	2	2	2	2	2	2	2	2	2	2	
CC	Casing, Wrapper	1010610	1	1	1	-	-	-	-	-	-	-	-	
		1010611	-	-	-	1	1	1	-	-	-	-	-	
		1010612	-	-	-	-	-	-	1	1	1	1	1	
DD	Baffle, Circulating Air	707010031	2	2	2	-	-	2	2	2	2	2	2	
		1009880	-	-	-	2	2	-	-	-	-	-	-	
EE	NOx Baffle	1009876	2	3	3	3	3	4	4	4	5	5	5	
GG	Heat Exchanger Support	1011026	1	-	-	-	-	-	-	-	-	-	-	
		750010045	-	1	1	-	-	-	-	-	-	-	-	
		750010046	-	-	-	1	1	-	-	-	1	1	1	
		1010353	-	-	-	-	-	1	1	1	-	-	-	
LL	Bracket, Control	1011448	1	1	1	1	1	1	1	1	1	1	1	
NN	Partition, Blower	1010810	1	1	1	-	-	-	-	-	-	-	-	
		1010811	-	-	-	1	1	1	-	-	-	-	-	
		1011075	-	-	-	-	-	-	1	1	1	1	1	

Replacement Parts - NTN3/NBF (Natural Gas)

Models - NTN3050FBA, NTN3075FBA, NTN3075HFA, NTN3100KFA, NTN3100KJA, NTN3100LJA, NTN3125KJA, NTN3125LJA: & NBF050B12A, NBF075B12A, NBF075F16A, NBF100F14A, NBF100F20A, NBF100J22A, NBF125J20A, NBF125J22A

Replacement part supplied will be current active part. For parts not listed, consult place of purchase.

Key No.	Description	Part Number	NTN3/NBF											
			050 FBA2/ B12A2	075 FBA2/ B12A2	075 FBA3/ B12A3	075 HFA2/ F16A2	075 HFA3/ F16A3	100 KFA2/ F20A2	100 KJA2/ F20A2	100 LJA2/ F22A2	125 KJA2/ J20A2	125 KJA3/ J20A3	125 LJA2/ J22A2	125 LJA3/ J22A3
)	PART NOT ILLUSTRATED													
)	Wire Harness Asy. Low Volt	1011868	1	1	1	1	1	1	1	1	1	1	1	1
)	Fuse (5 Amp)	1083348	1	1	1	1	1	1	1	1	1	1	1	1
)	Manual, Homeowners	441 02 2001 04	1	1	1	1	1	1	1	1	1	1	1	1
)	Manual, Installation	441 01 2602 00	1	1	1	1	1	1	1	1	1	1	1	1
)	Manual, Tech Support	441 03 2606 01	1	1	1	1	1	1	1	1	1	1	1	1
)	Conversion Kit Natural to LP	1160991	1	1	1	1	1	1	1	1	1	1	1	1
)	Conversion Kit LP to Nat	1009510	1	1	1	1	1	1	1	1	1	1	1	1
)	Conversion Kit Nat High Altitude	1160993	1	1	1	1	1	1	1	1	1	1	1	1
)	Conversion Kit LP High Altitude	1160992	1	1	1	1	1	1	1	1	1	1	1	1

Replacement Parts - NTG3/FBF (Natural Gas)

Models - NTG3050FBA, NTG3075FBA, NTG3075HFA, NTG3100GFA, NTG3100KFA, NTG3100LJA, NTG3125KJA, NTG3125LJA: & FBF050B12A, FBF075B12A, FBF075F16A, FBF100F14A, FBF100F20A, FBF100J22A, FBF125J20A, FBF125J22A

Replacement part supplied will be current active part. For parts not listed, consult place of purchase.

Key No.	Description	Part Number	NTG3/FBF											
			050 FBA4/ B12A4	075 FBA4/ B12A4	075 FBA5/ B12A5	075 HFA4/ F16A4	075 HFA5/ F16A5	100 GFA4/ F14A4	100 KFA4/ F20A4	100 LJA4/ J22A4	125 KJA4/ J20A4	125 KJA5/ J20A5	125 LJA4/ J22A4	125 LJA5/ J22A5
1	Heat Exchanger	1011544	1	-	-	-	-	-	-	-	-	-	-	-
		1011358	-	1	-	-	-	-	-	-	-	-	-	-
		1011364	-	-	-	-	-	1	1	-	-	-	-	-
		1011365	-	-	-	-	-	-	-	-	1	-	1	-
		1012406	-	-	1	-	-	-	-	-	-	-	-	-
		1011359	-	-	-	1	-	-	-	-	-	-	-	-
		1012407	-	-	-	-	1	-	-	-	-	-	-	-
		1011363	-	-	-	-	-	-	-	1	-	-	-	-
		1012408	-	-	-	-	-	-	-	-	-	1	-	1
2	Blower Wheel 10-10 DD	601210	-	-	-	1	1	1	-	-	-	-	-	-
	10-8 DD	600587	1	1	1	-	-	-	-	-	-	-	-	-
	11-10 DD	1011420	-	-	-	-	-	-	1	1	1	1	1	1
3	Switch, Auxiliary Limit	1000735	2	2	2	2	2	2	2	2	2	2	2	2
4	Blower Motor 115V -1/3 HP	1009054	1	1	1	-	-	-	-	-	-	-	-	-
	115V -1/2 HP	1012119	-	-	-	1	1	-	-	-	-	-	-	-
	115V -1/3 HP	1009053	-	-	-	-	-	1	-	-	-	-	-	-
	115V -3/4 HP	1011404	-	-	-	-	-	-	-	-	1	1	-	-
	115V -3/4 HP	1010263	-	-	-	-	-	-	1	-	-	-	-	-
	115V -3/4 HP	1011906	-	-	-	-	-	-	-	1	-	-	1	1
5	Motor Mount Kit	609227	1	1	1	1	1	1	-	-	-	-	-	-
		522020024	-	-	-	-	-	-	1	1	1	1	1	1
6	Control, Fan Timer	1011927	1	1	1	1	1	1	1	1	1	1	1	1
6A	Control, Module	1011449	1	1	1	1	1	1	1	1	1	1	1	1
7	Transformer, 40VA	1011626	1	1	1	1	1	1	1	1	1	1	1	1
8	Capacitor 10mf 370V	1094956	-	-	-	1	1	-	1	-	1	1	-	-
	5mf 370V	1094954	1	1	1	-	-	-	-	-	-	-	-	-
	7.5mf 370V	1094239	-	-	-	-	-	1	-	-	-	-	-	-
	40mf 370V	1012176	-	-	-	-	-	-	-	1	-	-	1	1
9	Switch Door	1010886	1	1	1	1	1	1	1	1	1	1	1	1
10	Burner Assembly	1008723	1	-	-	-	-	-	-	-	-	-	-	-
		1008724	-	1	1	1	1	-	-	-	-	-	-	-
		1008725	-	-	-	-	-	1	1	1	-	-	-	-
		1008726	-	-	-	-	-	-	-	-	1	1	1	1
11	Pilot/Ignitor Natural	1011477	1	1	1	1	1	1	1	1	1	1	1	1
12	Pilot Orifice, NAT (.018)	503211	1	1	1	1	1	1	1	1	1	1	1	1
	Pilot Orifice, LP (.011)	1009136	1	1	1	1	1	1	1	1	1	1	1	1
13	Orifice, #42 NAT	1011351	2	3	3	3	3	4	4	4	5	5	5	5
	Orifice, #54 LP	1011376	2	3	3	3	3	4	4	4	5	5	5	5
14	Tube, Pilot	64930	1	1	1	1	1	1	1	1	1	1	1	1
15	Manifold	1011458	1	-	-	-	-	-	-	-	-	-	-	-
		1011459	-	1	1	1	1	-	-	-	-	-	-	-
		1011460	-	-	-	-	-	1	1	1	-	-	-	-
		1011461	-	-	-	-	-	-	-	-	1	1	1	1

Replacement Parts - NTG3/FBF (Natural Gas)

Models - NTG3050FBA, NTG3075FBA, NTG3075HFA, NTG3100GFA, NTG3100KFA, NTG3100LJA, NTG3125KJA, NTG3125LJA:
& FBF050B12A, FBF075B12A, FBF075F16A, FBF100F14A, FBF100F20A, FBF100J22A, FBF125J20A, FBF125J22A

Replacement part supplied will be current active part. For parts not listed, consult place of purchase.

Key No.	Description	Part Number	NTG3/FBF												
			050 FBA4/ B12A4	075 FBA4/ B12A4	075 FBA5/ B12A5	075 HFA4/ F16A4	075 HFA5/ F16A5	100 GFA4/ F14A4	100 KFA4/ F20A4	100 LJA4/ J22A4	125 KJA4/ J20A4	125 KJA5/ J20A5	125 LJA4/ J22A4	125 LJA5/ J22A5	
16	Valve, Natural	1005597	1	1	1	1	1	1	1	1	1	1	1	1	
17	Switch, Limit 270°F 240°F 200°F 195°F 270°F 150°F 130°F 250°F 190°F 170°F	1320365	1	-	-	-	-	-	-	-	-	-	-	-	
		3433002	-	1	-	-	-	-	-	-	-	-	-	-	
		1008418	-	-	-	1	-	-	-	-	-	-	-	-	
		1320363	-	-	-	-	-	-	1	-	-	-	-	-	
		1320365	-	-	-	-	-	1	-	-	-	-	-	-	
		1320362	-	-	-	-	-	-	-	-	1	-	1	-	
		1320364	-	-	-	-	-	-	-	1	-	-	-	-	
		1009169	-	-	1	-	-	1	-	-	-	-	-	-	-
		1008445	-	-	-	-	-	-	-	-	-	-	1	-	-
		1095242	-	-	-	-	-	-	-	-	-	-	-	-	1
18	Tubing, Silicone 24"	1149483	1	1	1	1	1	1	1	1	1	1	1		
19	Combustion Blower Assem	1010975	1	1	1	1	1	1	1	1	1	1	1		
20	Rollout Switch, Limit	1094863	2	2	2	-	-	2	2	2	2	2	2		
		1005549	-	-	-	2	2	-	-	-	-	-	-		
21	Switch, Pressure	1010898	1	1	1	1	1	1	1	1	1	1	1		
22	Heat Exchanger Gaskets	2480904	2	-	-	-	-	-	-	-	-	-	-		
		2480905	-	2	2	2	2	-	-	-	-	-	-		
		2480906	-	-	-	-	-	2	2	2	-	-	-	-	
		2480907	-	-	-	-	-	-	-	-	2	2	2	2	
23	Heat Exchanger Frt Partition	1008068	1	-	-	-	-	-	-	-	-	-	-		
		1008069	-	1	-	-	-	-	-	-	-	-	-		
		1008070	-	-	-	1	-	-	-	-	-	-	-		
		1008072	-	-	-	-	-	1	1	-	-	-	-		
		1008073	-	-	-	-	-	-	-	-	1	-	1		
		1008071	-	-	-	-	-	-	-	1	-	-	-		
		1012409	-	-	1	-	-	-	-	-	-	-	-		
		1012410	-	-	-	-	-	1	-	-	-	-	-		
1012411	-	-	-	-	-	-	-	-	-	1	-	1			

Key No.	Description	Part Number	NTG3/FBF											
			050 FBA4/ B12A4	075 FBA4/ B12A4	075 FBA5/ B12A5	075 HFA4/ F16A4	075 HFA5/ F16A5	100 GFA4/ F14A4	100 KFA4/ F20A4	100 LJA4/ J22A4	125 KJA4/ J20A4	125 KJA5/ J20A5	125 LJA4/ J22A4	125 LJA5/ J22A5
A	Top	1011534	1	1	1	-	-	-	-	-	-	-	-	-
		1011535	-	-	-	1	1	-	-	-	-	-	-	-
		1011536	-	-	-	-	-	1	1	-	-	-	-	-
		1011537	-	-	-	-	-	-	-	1	1	1	1	1
B	Field Connect Box	1011941	1	1	1	1	1	1	1	1	1	1	1	
C	Cover, Field Connect	1010360	1	1	1	1	1	1	1	1	1	1	1	
D	Gasket, Collector	1093661	1	1	1	1	1	-	-	-	-	-	-	
		1093662	-	-	-	-	-	1	1	1	-	-	-	
		1093663	-	-	-	-	-	-	-	-	1	1	1	1
E	Collector	1011045	1	-	-	-	-	-	-	-	-	-	-	
		1011048	-	1	1	1	1	-	-	-	-	-	-	
		1011052	-	-	-	-	-	1	1	1	-	-	-	
		1011055	-	-	-	-	-	-	-	-	1	1	1	1
F	Gasket, Combustion Blower	1011379	1	1	1	1	1	1	1	1	1	1	1	
H	Door, Louvered	1010174	1	1	1	-	-	-	-	-	-	-	-	
		1010166	-	-	-	1	1	1	1	-	-	-	-	
		1010167	-	-	-	-	-	-	-	-	1	1	1	1
		1011521	-	-	-	-	-	-	-	-	1	-	-	-
J	Door, Blower	1010191	1	1	1	-	-	-	-	-	-	-	-	
		1010190	-	-	-	1	1	1	1	-	-	-	-	
		1010192	-	-	-	-	-	-	-	-	1	1	1	1
K	Shield, Burner	1011335	1	1	1	1	1	-	-	-	-	-	-	
		1011336	-	-	-	-	-	1	1	1	-	-	-	
		1011337	-	-	-	-	-	-	-	-	1	1	1	1
M	Bracket, Pilot	1010901	1	1	1	1	1	1	1	1	1	1	1	
O	Manifold Support Bracket	1011820	2	2	2	2	2	2	2	2	2	2	2	
U	Fan Timer Bracket	1011819	1	1	1	1	1	1	1	1	1	1	1	
V	Base	1010112	1	1	1	-	-	-	-	-	-	-	-	
		1010113	-	-	-	1	1	1	1	-	-	-	-	
		1010114	-	-	-	-	-	-	-	1	1	1	1	1

Replacement Parts - NTG3/FBF (Natural Gas)

Models - NTG3050FBA, NTG3075FBA, NTG3075HFA, NTG3100GFA, NTG3100KFA, NTG3100LJA, NTG3125KJA, NTG3125LJA:
& FBF050B12A, FBF075B12A, FBF075F16A, FBF100F14A, FBF100F20A, FBF100J22A, FBF125J20A, FBF125J22A

Key No.	Description	Part Number	NTG3/FBF											
			050 FBA4/ B12A4	075 FBA4/ B12A4	075 FBA5/ B12A5	075 HFA4/ F16A4	075 HFA5/ F16A5	100 GFA4/ F14A4	100 KFA4/ F20A4	100 LJA4/ J22A4	125 KJA4/ J20A4	125 KJA5/ J20A5	125 LJA4/ J22A4	125 LJA5/ J22A5
W	Blower Housing	1011680	1	1	1	-	-	-	-	-	-	-	-	-
		1011681	-	-	-	1	1	1	-	-	-	-	-	-
		1010481	-	-	-	-	-	-	1	1	1	1	1	1
X	Blower Cutoff	721020008	-	-	-	1	1	1	1	1	1	1	1	
		721020013	1	1	1	-	-	-	-	-	-	-	-	
Y	Blower Hanger	1010690	2	2	2	2	2	2	2	2	2	2	2	
AA	Strap Capacitor	1095020	1	1	1	1	1	1	1	-	1	1	-	
		1095022	-	-	-	-	-	-	-	1	-	-	1	1
BB	Rail, Blower Slide	57059	2	2	2	2	2	2	2	2	2	2	2	
CC	Casing, Wrapper	1010610	1	1	1	-	-	-	-	-	-	-	-	
		1010611	-	-	-	1	1	1	1	-	-	-	-	
		1010612	-	-	-	-	-	-	-	1	1	1	1	1
DD	Baffle, Circulating Air	707010031	2	2	2	-	-	2	2	2	2	2	2	
		1009880	-	-	-	2	2	-	-	-	-	-	-	
GG	Heat Exchanger Support	1011026	1	-	-	-	-	-	-	-	-	-	-	
		750010045	-	1	1	-	-	-	-	-	-	-	-	
		750010046	-	-	-	1	1	-	-	-	1	1	1	1
		1010353	-	-	-	-	-	1	1	1	-	-	-	-
LL	Bracket, Control	1011448	1	1	1	1	1	1	1	1	1	1	1	
NN	Partition, Blower	1010810	1	1	1	-	-	-	-	-	-	-	-	
		1010811	-	-	-	1	1	1	1	-	-	-	-	
		1011075	-	-	-	-	-	-	-	1	1	1	1	1
)	PART NOT ILLUSTRATED													
)	Wire Harness Asy. Low Volt	1011868	1	1	1	1	1	1	1	1	1	1	1	
)	Fuse (5 Amp)	1083348	1	1	1	1	1	1	1	1	1	1	1	
)	Manual, Homeowners	44102200104	1	1	1	1	1	1	1	1	1	1	1	
)	Manual, Installation	44101260200	1	1	1	1	1	1	1	1	1	1	1	
)	Manual, Tech Support	44103260601	1	1	1	1	1	1	1	1	1	1	1	
)	Conversion Kit Natural to LP	1160991	1	1	1	1	1	1	1	1	1	1	1	
)	Conversion Kit LP to Nat	1009510	1	1	1	1	1	1	1	1	1	1	1	
)	Conversion Kit Nat High Altitude	1160993	1	1	1	1	1	1	1	1	1	1	1	
)	Conversion Kit LP High Altitude	1160992	1	1	1	1	1	1	1	1	1	1	1	