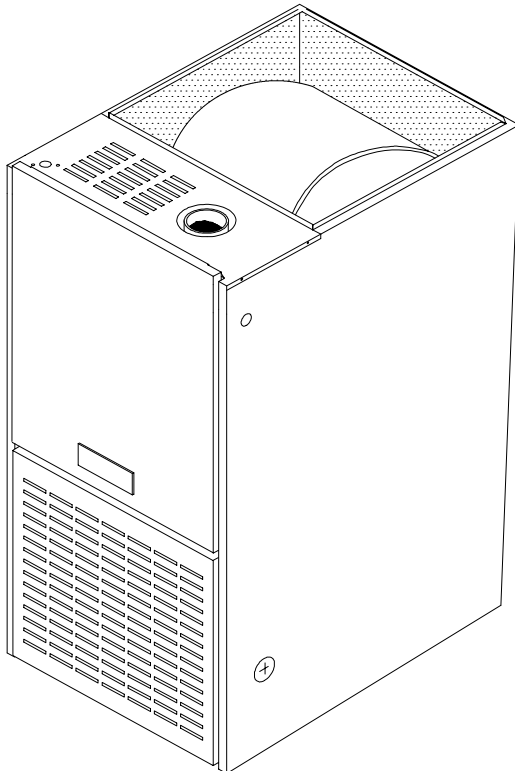


NDC7 GAS FURNACE



DOWNFLOW 40" - 81% AFUE

***INDUCED
COMBUSTION***



Representative photo only, some models may vary in appearance.

**MANUFACTURED FOR NATURAL GAS
CONVERTIBLE TO (LP) PROPANE GAS**

NOTE: These furnaces are not designed for installation in a corrosive atmosphere, containing Chlorine, Fluorine, or any other damaging chemicals.

WARNING

This furnace is not designed for use inside mobile homes, trailers, or recreational vehicles. Such use could result in property damage, bodily injury, and/or death.



OPERATION

- 81% AFUE efficiency range.
- Hot surface pilot device.
- Induced draft combustion blower.
- Adjustable electronic fan control with low speed continuous fan feature responds quickly to circulate heated air and provide maximum comfort.

HEAT EXCHANGER

- Four pass aluminized steel.
- 25 year limited heat exchanger warranty.

VENTING

- Dual certified for your choice of venting.
- Category I venting only vented in accordance with installation instructions and local codes.
- Dual certified - can be vented as direct vent or non-direct vent.

BLOWER ASSEMBLY

- Multispeed, prelubricated PSC motors. Dynamically balanced.
- Resilient mounted motors to reduce vibration and noise.
- Entire blower assembly mounted on rails for easy service.

WIRING CENTER

- 40VA transformer.
- Color coded wiring.
- Low voltage terminal board.
- Factory pre-wired to allow easy connection to an electronic air cleaner and/or humidifier.
- Dependable electronic fan timer allows precise comfort control.

CABINET

- Prepainted cabinet & doors.
- Foil-faced glass fiber heat exchanger compartment insulation.
- Insulated blower compartment.

SAFETY

- Controls monitors system for safety.
- Redundant gas valve.
- High temperature limit control.
- Flue blockage pressure switch.
- Blower door interlock switch.
- Flame roll out switch.

INSTALLATION

- Must be installed as a downflow furnace.
- Compact 40" design.
- Convertible to (LP) Propane Gas.
- 0" clearances on sides and back.
- Filters and filter rack standard.
- Twinning kit available to operate two furnaces in tandem.



FURNACE SPECIFICATIONS DOWNFLOW

| Model Number | NATURAL GAS | NDC7050BF | NDC7075BF | NDC7100BH | NDC7125BK |
|--------------------------------|-------------|---|---|---|---|
| INPUT (btuh) | | 50,000 | 75,000 | 100,000 | 125,000 |
| HTG. CAP. (btuh) | | 40,000 | 60,000 | 80,000 | 100,000 |
| AFUE % (ICS) | | 81% | 81% | 81% | 81% |
| TEMP. RISE (deg. F) | | 35 - 65 | 35 - 65 | 35 - 65 | 45 - 75 |
| VOLTS/PH/HZ | | 115/60/1 | 115/60/1 | 115/60/1 | 115/60/1 |
| F.L.A. | | 5.3 | 7.5 | 9.2 | 12.0 |
| TRANSFORMER (V.A.) | | 40 | 40 | 40 | 40 |
| GAS PIPE SIZE (IN.) | | 1/2 | 1/2 | 1/2 | 1/2 |
| CATEGORY I VENT SIZE | | 3" | 4" | 4" | 5" |
| COOLING CAP. | | 3.0 TON | 3.0 TON | 4.0 TON | 5.0 TON |
| FILTER SIZE (IN.) (1 required) | | 16 x 25 x 1 | 16 x 25 x 1 | 16 x 25 x 1 | 16 x 25 x 1 (2) |
| SHIPPING WEIGHT (LBS.) | | 134 | 157 | 175 | 180 |
| DIMENSIONS (in.) HEIGHT | | 40 | 40 | 40 | 40 |
| WIDTH X DEPTH | | 19 ¹ / ₈ x 28 ¹ / ₂ | 19 ¹ / ₈ x 28 ¹ / ₂ | 22 ³ / ₄ x 28 ¹ / ₂ | 22 ³ / ₄ x 28 ¹ / ₂ |

BLOWER PERFORMANCE

| Model Number | NATURAL GAS | NDC7050BF | NDC7075BF | NDC7100BH | NDC7125BK |
|----------------------|-------------|-----------|-----------|-----------|-----------|
| BLOWER TYPE AND SIZE | | 10 x 8 | 10 x 8 | 10 x 10 | 11 x 10 |
| MOTOR H.P. (TYPE) | | 1/3 | 1/2 | 1/2 | 3/4 |
| MOTOR SPEEDS | | 4 | 4 | 4 | 4 |

AIRFLOW DATA

| | | | | | |
|------------------|-------------|------|------|------|------|
| .10 ESP IN. W.C. | LOW | 718 | 778 | 954 | 1463 |
| | MEDIUM LOW | 840 | 984 | 1312 | 1650 |
| | MEDIUM HIGH | 1109 | 1263 | 1698 | 1879 |
| | HIGH | 1473 | 1576 | 1925 | 2214 |
| .20 ESP IN. W.C. | LOW | 719 | 786 | 950 | 1429 |
| | MEDIUM LOW | 838 | 1003 | 1292 | 1635 |
| | MEDIUM HIGH | 1094 | 1249 | 1645 | 1859 |
| | HIGH | 1431 | 1532 | 1853 | 2154 |
| .30 ESP IN. W.C. | LOW | 714 | 790 | 946 | 1417 |
| | MEDIUM LOW | 837 | 1003 | 1265 | 1614 |
| | MEDIUM HIGH | 1086 | 1244 | 1596 | 1838 |
| | HIGH | 1396 | 1489 | 1780 | 2152 |
| .40 ESP IN. W.C. | LOW | 692 | 788 | 915 | 1389 |
| | MEDIUM LOW | 819 | 1001 | 1231 | 1579 |
| | MEDIUM HIGH | 1063 | 1215 | 1530 | 1806 |
| | HIGH | 1349 | 1432 | 1708 | 2106 |
| .50 ESP IN. W.C. | LOW | 660 | 781 | 878 | 1364 |
| | MEDIUM LOW | 791 | 982 | 1175 | 1556 |
| | MEDIUM HIGH | 1027 | 1186 | 1455 | 1773 |
| | HIGH | 1291 | 1371 | 1638 | 2049 |
| .60 ESP IN. W.C. | LOW | 615 | 765 | 830 | 1339 |
| | MEDIUM LOW | 752 | 962 | 1118 | 1515 |
| | MEDIUM HIGH | 986 | 1146 | 1362 | 1725 |
| | HIGH | 1222 | 1308 | 1546 | 1981 |
| .70 ESP IN. W.C. | LOW | 563 | 743 | 778 | 1299 |
| | MEDIUM LOW | 683 | 923 | 1020 | 1470 |
| | MEDIUM HIGH | 934 | 1094 | 1241 | 1668 |
| | HIGH | 1141 | 1229 | 1435 | 1903 |

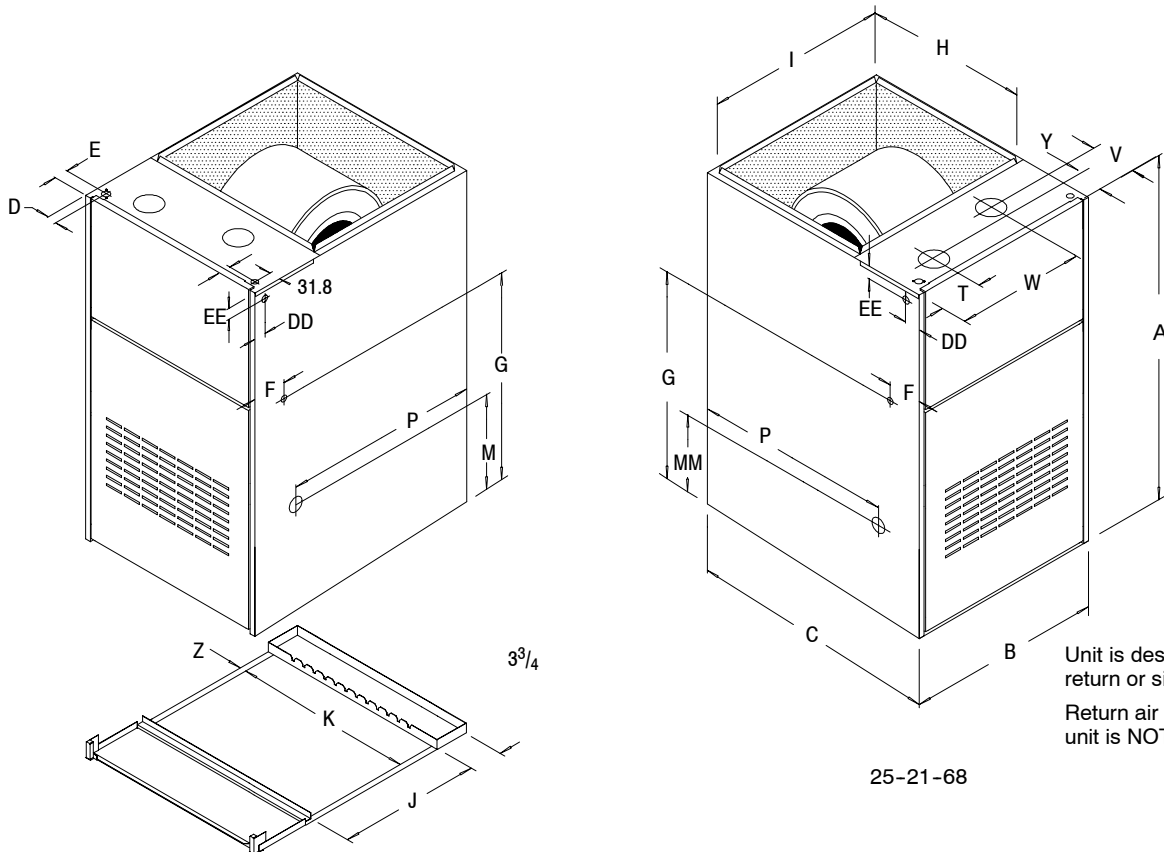
1. Applications of NDC7125BK above 1650 CFM requires two side returns or bottom return.

MODEL NUMBER IDENTIFICATION GUIDE

| | | | | | | | | | | |
|--------------------------------|-------------------------------|---|---|---|-----|---|---|----------------------------|--------------------------------|---------------|
| MODEL NUMBER | N | D | C | 7 | 050 | B | F | A | MARKETING REVISION | |
| PRODUCT FAMILY | | | | | | | | | | |
| PRODUCT GROUP | | | | | | | | | NOMINAL AIR FLOW (Tons) | |
| U = Upflow | T = Upflow / Horizontal | | | | | | | A = Heat Only | G = 3.5 | |
| H = Horizontal | C = Downflow / Horizontal | | | | | | | B = 1 | H = 4 | |
| D = Downflow | L = Lowboy | | | | | | | C = 2 | J = 4.5 | |
| F = Floor Furnace | M = Multiposition | | | | | | | D = 2 | K = 5 | |
| FUEL | | | | | | | | | E = 2.5 | L = 5.5 - 7.0 |
| C = Natural Gas | E = Electric | | | | | | | F = 3 | M = 7.5 - 10.0 | |
| N = Natural Gas California NOx | O = Oil | | | | | | | AFUE | | |
| L = L.P. Gas | H = High Altitude Natural Gas | | | | | | | A = 78% | | |
| SERIES | | | | | | | | | B = 80% IID | |
| 5 = 5000 | | | | | | | | | E = 90% IID Standard Vent | |
| 7 = 7000 | | | | | | | | | F = 90% Sealed Combustion | |
| 9 = 9000 | | | | | | | | | G = 90% TAS | |
| | | | | | | | | NOMINAL INPUT MBTUH | | |

UNIT DIMENSIONS

NOTE: Evaporator "A" coil drain pan dimensions may vary from furnace duct opening size. Always consult evaporator specifications for duct size requirements.



ALL DIMENSIONS IN INCHES

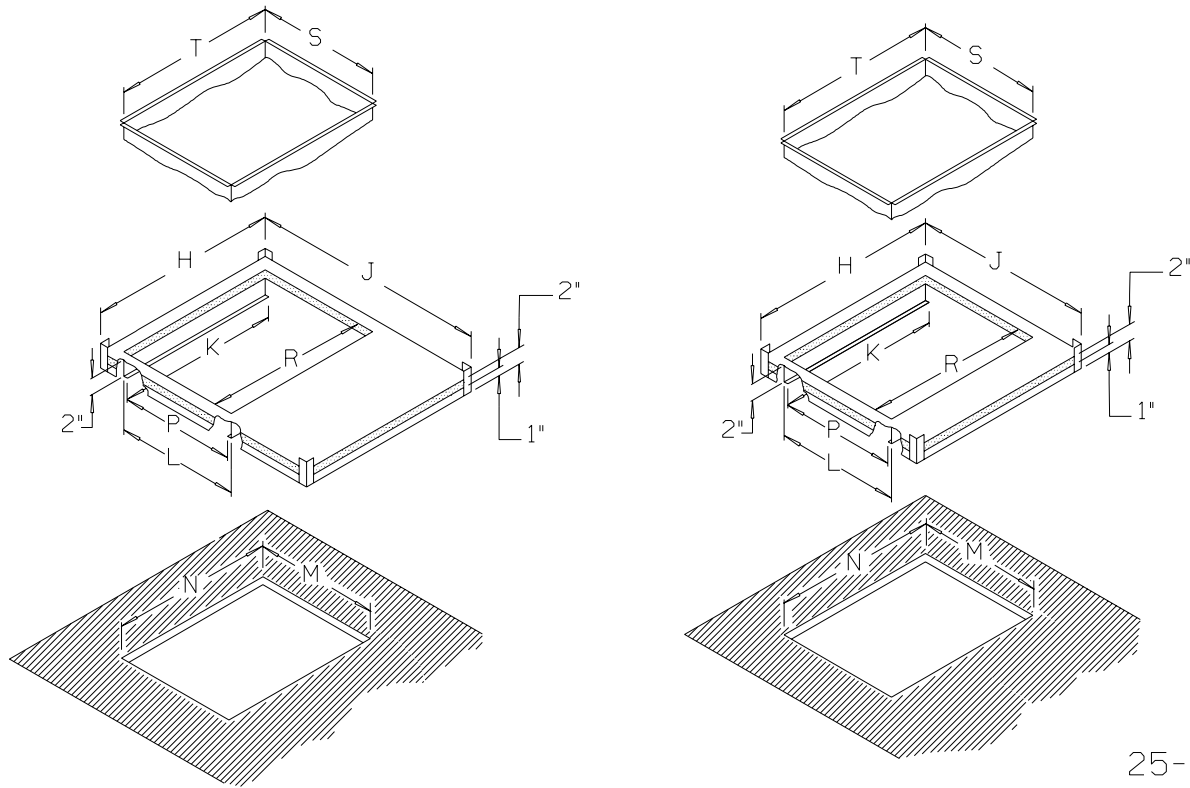
| UNIT CAPACITY | CABINET | | | ELECTRICAL CONNECTIONS | | | | | | RETURN AIR TOP | | SUPPLY AIR | | | GAS CONNECTIONS | | | | AIR INLET | | FLUE OUTLET | |
|---------------|---------|--------------------------------|--------------------------------|-------------------------------|-------------------------------|-------------------------------|-------------------------------|-------------------------------|--------------------------------|--------------------------------|--------------------------------|--------------------------------|--------------------------------|-------------------------------|--------------------------------|----|--------------------------------|----|--------------------------------|-------------------------------|--------------------------------|--------------------------------|
| | | | | TOP | | SIDE | | LOW VOLT | BOTTOM | | | RIGHT SD. | LEFT SD. | | | | | | | | | |
| | A | B | C | D | E | DD | EE | F | G | H | I | J | K | Z | M | P | MM | P | T | Y | W | V |
| 50 & 75,000 | 40 | 19 ¹ / ₈ | 28 ¹ / ₂ | 1 ⁵ / ₈ | 1 ⁵ / ₈ | 1 ⁵ / ₈ | 1 ¹ / ₂ | 3 ⁷ / ₈ | 25 ³ / ₄ | 18 ¹ / ₂ | 17 ⁵ / ₈ | 16 ⁵ / ₈ | 17 ⁵ / ₈ | 5 ⁵ / ₈ | 12 ⁵ / ₈ | 24 | 10 ³ / ₈ | 24 | 5 ⁵ / ₃₂ | 3 ¹ / ₄ | 12 ¹ / ₂ | 5 ⁵ / ₁₆ |
| 100 & 125,000 | 40 | 22 ³ / ₄ | 28 ¹ / ₂ | 1 ⁵ / ₈ | 1 ⁵ / ₈ | 1 ⁵ / ₈ | 1 ¹ / ₂ | 3 ⁷ / ₈ | 25 ³ / ₄ | 18 ¹ / ₂ | 21 ¹ / ₄ | 16 ⁵ / ₈ | 21 ³ / ₈ | 5 ⁵ / ₈ | 12 ⁵ / ₈ | 24 | 10 ³ / ₈ | 24 | 6 ⁵ / ₈ | 3 ¹ / ₄ | 15 ¹ / ₈ | 5 ⁵ / ₁₆ |

SPECIFICATIONS SUBJECT TO CHANGE WITHOUT NOTICE

ACCESSORIES

| Furnace Model Number | Nat. To LP Kit | Twinning Kit | LP To Nat. Gas Kit | 20x25 Duct Stand-off with Filter |
|------------------------|----------------|--------------|--------------------|----------------------------------|
| NDC7050BF NDC7075BF | NAHF002LP | NAHA003WK | NAHF002NG | NAHA001TK |
| NDC7100BH NDC7125BK | | | | |

SUBBASE DIMENSIONS



25-20-36

| Use for | Subbase Model Number | H | J | K | L | M | N | P | R | S | T |
|----------|----------------------|--------------------------------|---------------------------------|----------------------------------|----|--------------------------------|--------------------------------|----|--------------------------------|----|--------------------------------|
| Furnace | NAHH002SB | 19 ¹ / ₄ | 28 ³ / ₄ | 18 ³ / ₁₆ | 16 | 16 ¹ / ₄ | 18 ¹ / ₄ | 15 | 17 ¹ / ₈ | 15 | 17 ¹ / ₈ |
| | NAHH003SB | 23 | 28 ³ / ₄ | 21 ¹³ / ₁₆ | 16 | 16 ¹ / ₄ | 21 ⁷ / ₈ | 15 | 19 ³ / ₄ | 15 | 19 ³ / ₄ |
| Coil Box | NAHH005SB | 19 ¹ / ₂ | 20 ⁹ / ₁₆ | 18 ³ / ₁₆ | 16 | 16 ¹ / ₄ | 18 ¹ / ₄ | 15 | 17 ¹ / ₈ | 15 | 17 ¹ / ₈ |
| | NAHH006SB | 23 | 20 ⁹ / ₁₆ | 21 ¹³ / ₁₆ | 16 | 16 ¹ / ₄ | 21 ⁷ / ₈ | 15 | 19 ³ / ₄ | 15 | 19 ³ / ₄ |

ALL DIMENSIONS IN INCHES