



H8MPL

Deluxe 80 Single Stage

Flexibility

- 40" high for more noise reduction and ease of installation.
- Factory shipped for natural gas, with LP Gas conversion kits available.
- Four position - upflow/downflow/horizontal installation.
- Category I venting.
- Three position inducer capability.
- Common venting with water heater.

Service

- Self diagnostics.
- Entire blower assembly mounted on rails.

Quality

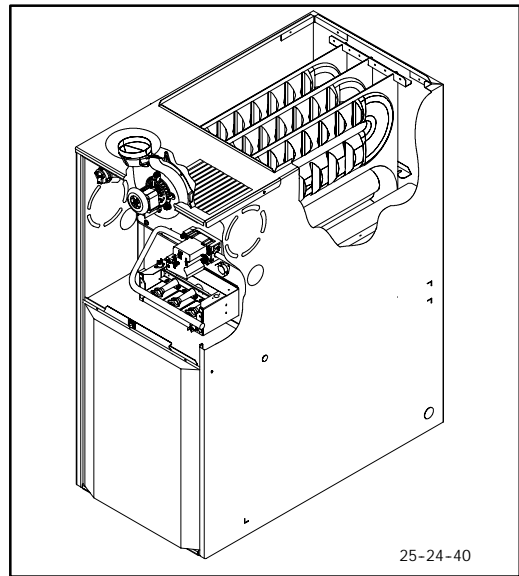
- RPJ III Aluminized steel heat exchanger.
- 20 year limited warranty on heat exchangers and 5 years on parts.
- High temperature limit control prevents overheating.
- Hot surface pilot ignition device.
- Flame roll-out sensors standard.
- Louvered doors.
- One piece prepainted steel cabinet.
- Masonry chimney adapter available.

Comfort

- Adjustable timed blower Off delay.
- Humidifier terminal
- Electronic air cleaner terminal.

Efficiency

- 80% AFUE efficiency range. +
- Single stage gas valve operation.
- Single stage fan timer.
- Multispeed, prelubricated PSC motors.
- Induced draft blower.
- In-shot burners.
- California NOx approved.



Representative drawing only, some models may vary in appearance.

WARNING

This furnace is not designed for use inside mobile homes, trailers, or recreational vehicles. Such use could result in property damage, bodily injury, and/or death.

UPFLOW/DOWNFLOW/HORIZONTAL (NATURAL GAS)

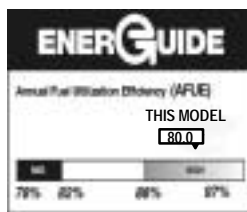
Model Number	Heat Exchangers #	Dimensions H x W x D (In.)	Price
H8MPL050B12A	20 year	40 x 15 ¹ / ₂ x 29	
H8MPL075B12A	20 year	40 x 15 ¹ / ₂ x 29	
H8MPL075F16A	20 year	40 x 19 ¹ / ₈ x 29	
H8MPL100F20A	20 year	40 x 19 ¹ / ₈ x 29	
H8MPL100J20A	20 year	40 x 22 ³ / ₄ x 29	
H8MPL125J20A	20 year	40 x 22 ³ / ₄ x 29	

20 YEAR LIFETIME WARRANTY

PERFORMANCE DATA HEATING

Model Number	Input (MBTUH)	Efficiency AFUE +	Cooling Cap. @ .5" W.C.
*8MPL050B12A	50,000	80%	1.5 - 3.0 TON
*8MPL075B12A	75,000	80%	1.5 - 3.0 TON
*8MPL075F16A	75,000	80%	2.5 - 4.0 TON
*8MPL100F20A	100,000	80%	3.5 - 5.0 TON
*8MPL100J20A	100,000	80%	3.5 - 5.0 TON
*8MPL125J20A	125,000	80%	3.5 - 5.0 TON

* Denotes Brand



FURNACE SPECIFICATIONS MULTI-POSITION

Model Number	NATURAL GAS	*8MPL					
		050B12	075B12	075F16	100F20	100J20	125J20
INPUT (btuh)		50,000	75,000	75,000	100,000	100,000	125,000
HTG. CAP. (btuh)		40,000	60,000	60,000	81,000	81,000	101,000
AFUE % (ICS)		80%	80%	80%	80%	80%	80%
TEMP. RISE (deg. F)		35-65	30-60	30-60	35-65	35-65	35-65
VOLTS/PH/Hz		115/1/60	115/1/60	115/1/60	115/1/60	115/1/60	115/1/60
RATING PLATE AMPS.		8.8	9.5	10.1	13.9	12.6	13.9
TRANSFORMER (V.A.)		40	40	40	40	40	40
GAS PIPE SIZE (IN.)		1/2	1/2	1/2	1/2	1/2	1/2
VENT COLLAR SIZE		4"	4"	4"	4"	4"	4"
COOLING CAP.		3	3	4	5	5	5
SHIPPING WEIGHT (LBS.)		128	134	140	156	166	172
DIMENSIONS (in.) HEIGHT		40	40	40	40	40	40
WIDTH X DEPTH		15 1/2 x 29	15 1/2 x 29	19 1/8 x 29	19 1/8 x 29	22 3/4 x 29	22 3/4 x 29

(ICS) = Isolated Combustion System

ACCESSORIES

Model Number	Description	Used With Models
TWINNING KIT		
NAHA003WK	Twinning kit. Allows operation of two identical-size model furnaces.	ALL *8MPL FURNACES
GAS CONVERSION KITS		
NAHL002LP 1160991 *	Natural gas to LP (propane) conversion Kit. Allows field conversion to LP (propane) gas.	ALL *8MPL FURNACES
NAHF002NG 1009510 *	LP (Propane) to natural gas conversion kit. Allows field conversion to natural gas. (Single Stage)	ALL *8MPL FURNACES
FILTER KITS		
NAHA001FF	External filter frame. 16" x 25"	Side Return (All Furnaces) Bottom Return (All "F" 19 1/8" Furnaces under 1650 CFM)
NAHA002FF	Bottom return filter frame kit 20" x 25".	(All "J" 22 3/4" Furnaces)
NAHA003FF	Bottom or side return filter frame kit 14" x 25".	(All "B" 15 1/2" Furnaces)
NAHA001TK	Duct Standoff Filter Kit. To adapt 20" x 25" filter for single side return.	Side Return (All single return applications with 1650 CFM or greater) Bottom Return (All "F" 19 1/8" Furnaces under 1650 CFM)
COMBUSTIBLE FLOOR SUBBASES		
NAHH001SB	Subbase Furnace ONLY: All 15 1/2" wide furnace models	*8MPL050-075B,
NAHH002SB	Subbase Furnace ONLY: All 19 1/4" wide furnace models	*8MPL075-100
NAHH003SB	Subbase Furnace ONLY: All 22 3/4" wide furnace models	*8MPL100-125
NAHH004SB	Subbase Furnace w/15 1/2" cased coil	Counterflow furnace *8MPL050-075
NAHH005SB	Subbase Furnace w/19 1/4" cased coil	Counterflow furnace *8MPL075-100F
NAHH006SB	Subbase Furnace w/22 3/4" cased coil	Counterflow furnace *8MPL100-125J
MASONRY CHIMNEY ADAPTER		
NAHA001DH	Chimney adapter (6")	*8MPL050, 075, 100
NAHA002DH	Chimney adapter (7")	*8MPL125
VENT GUARD		
NAHA002VC	Downflow vent guard	All downflow applications
COIL ADAPTER		
NAHA001CA	Coil Adapter for Downflow Furnaces	All Multi- Position Furnaces in the Downflow Application

* Fast part number

** Applications of *8MPL125 above 1650 CFM requires two side returns or NAHA001TK 20 x 25 duct stand-off filter kit or bottom return applications with the *8MPL125 use the 20 x 25 bottom return filter kit, NAHA002FF.

To achieve 2000 CFM with the stand-off filter kit you will still need a bottom return or 2 side filters.

BLOWER PERFORMANCE MULTI-POSITION

Model Number	*8MPL					
	050B12	075B12	075F16**	100F20**	100J20**	125J20**
BLOWER TYPE AND SIZE	11x8	11x8	11 x 10	11 x 10	11 x 10	11x10
MOTOR H.P. (TYPE)	1/2/PSC	1/2/PSC	1/2/PSC	1/2/PSC	1/2/PSC	1/2/PSC
MOTOR SPEEDS	4	4	4	4	4	4

AIRFLOW DATA

.10 ESP IN. W.C.	LOW	472	695	598	831	773	860
	MEDIUM LOW	704	963	841	1125	1045	1149
	MEDIUM HIGH	1167	1220	1427	1582	1453	1666
	HIGH	1387	1559	1861	2216	2147	2147
.20 ESP IN. W.C.	LOW	419	670	499	823	764	848
	MEDIUM LOW	671	946	795	1124	1041	1154
	MEDIUM HIGH	1135	1202	1406	1585	1461	1622
	HIGH	1338	1511	1816	2198	2137	2137
.30 ESP IN. W.C.	LOW	365	644	400	814	755	836
	MEDIUM LOW	638	928	748	1123	1037	1158
	MEDIUM HIGH	1102	1183	1384	1588	1469	1577
	HIGH	1288	1463	1770	2179	2128	2126
.40 ESP IN. W.C.	LOW	328	616	345	798	734	821
	MEDIUM LOW	605	901	708	1120	1029	1149
	MEDIUM HIGH	1069	1151	1364	1583	1464	1569
	HIGH	1241	1412	1724	2127	2103	2137
.50 ESP IN. W.C.	LOW	290	588	289	781	712	805
	MEDIUM LOW	572	873	667	1117	1020	1140
	MEDIUM HIGH	1035	1118	1343	1577	1459	1561
	HIGH	1194	1361	1677	2074	2078	2148
.60 ESP IN. W.C.	LOW	250	564	236	749	680	782
	MEDIUM LOW	547	822	625	1085	999	1111
	MEDIUM HIGH	987	1068	1299	1559	1441	1539
	HIGH	1132	1300	1612	1992	2020	2035
.70 ESP IN. W.C.	LOW	209	540	---	717	647	758
	MEDIUM LOW	522	771	582	1053	979	1081
	MEDIUM HIGH	939	1017	1254	1541	1424	1516
	HIGH	1070	1239	1547	1909	1963	1922
.80 ESP IN. W.C.	LOW	---	502	---	663	601	710
	MEDIUM LOW	483	723	530	1009	936	1045
	MEDIUM HIGH	880	959	1192	1457	1385	1472
	HIGH	1004	1161	1454	1827	1879	1845
.90 ESP IN. W.C.	LOW	---	463	---	609	554	661
	MEDIUM LOW	443	675	477	964	894	1009
	MEDIUM HIGH	820	900	1129	1373	1347	1428
	HIGH	937	1083	1360	1745	1795	1767
1.00 ESP IN. W.C.	LOW	---	413	---	561	497	614
	MEDIUM LOW	370	615	436	888	828	925
	MEDIUM HIGH	753	835	1016	1307	1262	1357
	HIGH	858	998	1262	1641	1705	1663

NOTE: Applications of *8MPL125 above 1650 CFM requires two side returns or use accessory stand-off filter kit for single return.

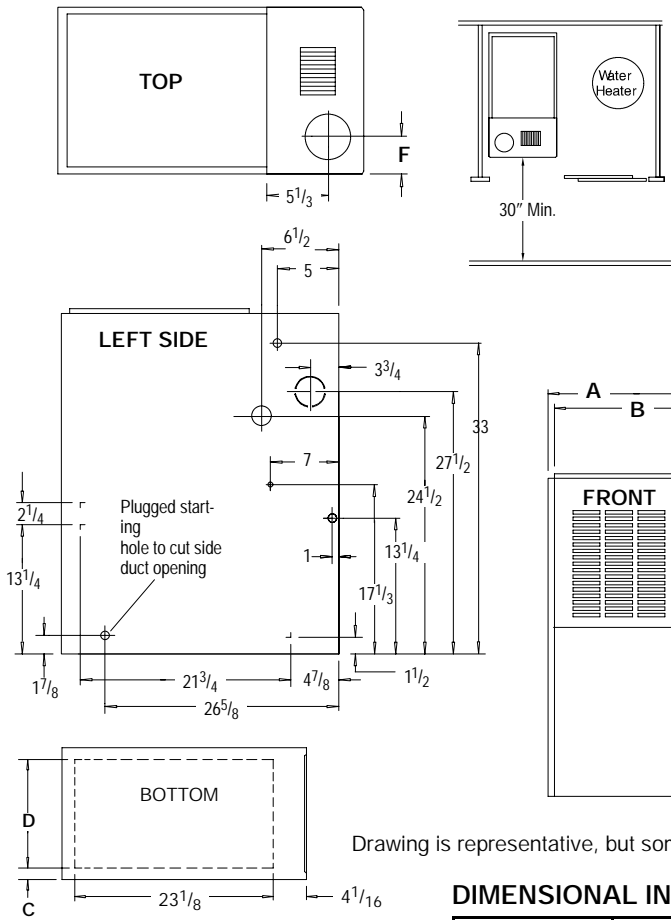
* Denotes Brand

** 075F16 - Reduce airflow by 5% if bottom return ONLY.

100F20 - Reduce airflow by 10% if bottom return ONLY.

125J20 - Reduce airflow by 5% if bottom return ONLY.

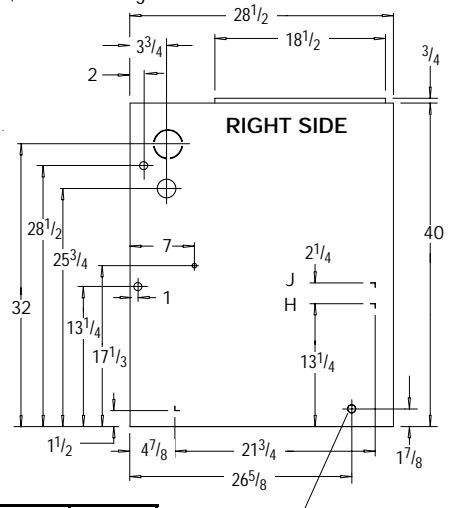
UNIT DIMENSIONS



Drawing is representative, but some models may vary

MINIMUM CLEARANCES TO COMBUSTIBLE MATERIALS FOR ALL UNITS	
REAR	0
FRONT	3"
Recommended For Service	30"
ALL SIDES OF SUPPLY PLENUM	1"
SIDES	0
VENT	
Single Wall Vent	6"
Type B-1 Double Wall Vent	1"
TOP OF FURNACE	1"

Horizontal position: Line contact is permissible only between lines formed by intersections of top and two sides of furnace jacket, and building joists, studs or framing.



NOTE: Evaporator "A" coil drain pan dimensions may vary from furnace duct opening size. Always consult evaporator specifications for duct size requirements.

Unit is designed for bottom return or side return. Return air through back of unit is NOT allowed.

ALL DIMENSIONS IN INCHES (millimeters)

DIMENSIONAL INFORMATION

Unit Capacity	Cabinet		Top	Bottom		Duct Size
	A	B	F	C	D	
*8MPL050B12 *8MPL075B12	15 1/2	14	6	1 3/8	12 5/8	H
*8MPL075F16 *8MPL100F20	19 1/8	17 5/8	7 3/4	2 1/8	14 3/4	J
*8MPL100J22 *8MPL125J20	22 3/4	21 1/4	9 1/2	1 15/16	18 3/4	J

MODEL NUMBER IDENTIFICATION GUIDE

*	8	M P	L	0 7 5	B	1 2	A	#
Brand								Engineering Rev. Denotes minor changes
Brand Efficiency								Marketing Digit Denotes minor change
8 = Non-Condensing, 80+% Gas Furnace 9 = Condensing, 90+% Gas Furnace								Cooling Airflow 08 = 800 CFM 16 = 1600 CFM 12 = 1200 CFM 20 = 2000 CFM 14 = 1400 CFM
Installation Configuration								Cabinet Width B = 15.5" Wide J = 22.8" Wide F = 19.1" Wide L = 24.5" Wide
UP = Upflow DN = Downflow UH = Upflow/Horizontal HZ = Horizontal DH = Downflow/Horizontal MP = Multiposition, Upflow/Downflow/Horizontal								Input (Nominal MBTUH)
Major Design Feature								
1 = One (Single) Pipe N = Single Stage 2 = Two Pipe P = PVC Vent D = 1 or 2 Pipe T = Two Stage L = Low NOx V = Variable Speed								

* Denotes Brand

SPECIFICATIONS SUBJECT TO CHANGE WITHOUT NOTICE