

# Installation Instructions

**NOTE:** Read the entire instruction manual before starting installation.

## TABLE OF CONTENTS


	PAGE
SAFETY CONSIDERATIONS .....	1
INTRODUCTION .....	1
INSTALLATION .....	2
Step 1 — Check Equipment .....	2
Step 2 — Mount Fan Coil .....	2
Step 3 — Ductwork Specifications .....	4
Step 4 — Condensate Drain .....	4
Step 5 — Electrical Connections .....	4
Step 6 — Select Proper Blower Speed .....	5
START-UP .....	5
SEQUENCE OF OPERATION .....	5
CARE AND MAINTENANCE .....	5
AIRFLOW PERFORMANCE TABLES .....	6

## SAFETY CONSIDERATIONS

Improper installation, adjustment, alteration, service, maintenance, or use can cause explosion, fire, electrical shock, or other conditions which may cause death, personal injury or property damage. Consult a qualified installer, service agency, or your distributor or branch for information or assistance. The qualified installer or agency must use factory-authorized kits or accessories when modifying this product. Refer to individual instructions packaged with kits or accessories when installing.

Follow all safety codes. Wear safety glasses, protective clothing, and work gloves. Use quenching cloth for brazing operations. Have a fire extinguisher available. Read these instructions thoroughly and follow all warning or cautions included in literature and attached to the unit. Consult local building codes and the current editions of the National Electrical Code (NEC) NFPA 70.

In Canada, refer to the current editions of Canadian Electrical Code CSA C22.1.

Recognize safety information. This is the safety alert symbol . When you see this symbol on the unit and in instructions or manuals, be alert to the potential for personal injury. Understand the signal words **DANGER**, **WARNING**, and **CAUTION**. These words are used with the safety alert symbol. **DANGER** identifies the most serious hazards which **will** result in severe personal injury or death. **WARNING** signifies hazards which **could** result in personal injury or death. **CAUTION** is used to identify unsafe practices, which **may** result in minor personal injury or product and property damage. **NOTE** is used to highlight suggestions which **will** result in enhanced installation, reliability, or operation.

## INTRODUCTION

FMA4P/WAMA Fan Coils are designed with application flexibility in mind and are suitable for closet and flush mount installations. The FMA4P/WAMA is available with field-installed heat with circuit breaker. Units are used indoors as the fan coil for split-system heat pumps or air conditioners. Units are available in 18,000 through 36,000 Btuh nominal cooling capacities.

Field-installed heaters are available in 5, 7.5, and 10 kW sizes. The coil is equipped with sweat-type connections and is vapor-charged with dry nitrogen. The casing is fully insulated to meet applications in conditioned space. Additional insulation is required if the unit is installed in unconditioned space.

Units are designed for upflow applications only. Local codes may limit this free-air-return type unit to installation in single-level applications.

### **WARNING**

#### **ELECTRICAL OPERATION HAZARD**

Failure to follow this warning could result in personal injury or death.

Before installing or servicing unit, always turn off all power to unit. There may be more than 1 disconnect switch. Turn off accessory heater power if applicable. Lock out and tag switch with a suitable warning label.

### **WARNING**



#### **EXPLOSION HAZARD**

Failure to follow this warning could result in death, serious personal injury, and/or property damage.

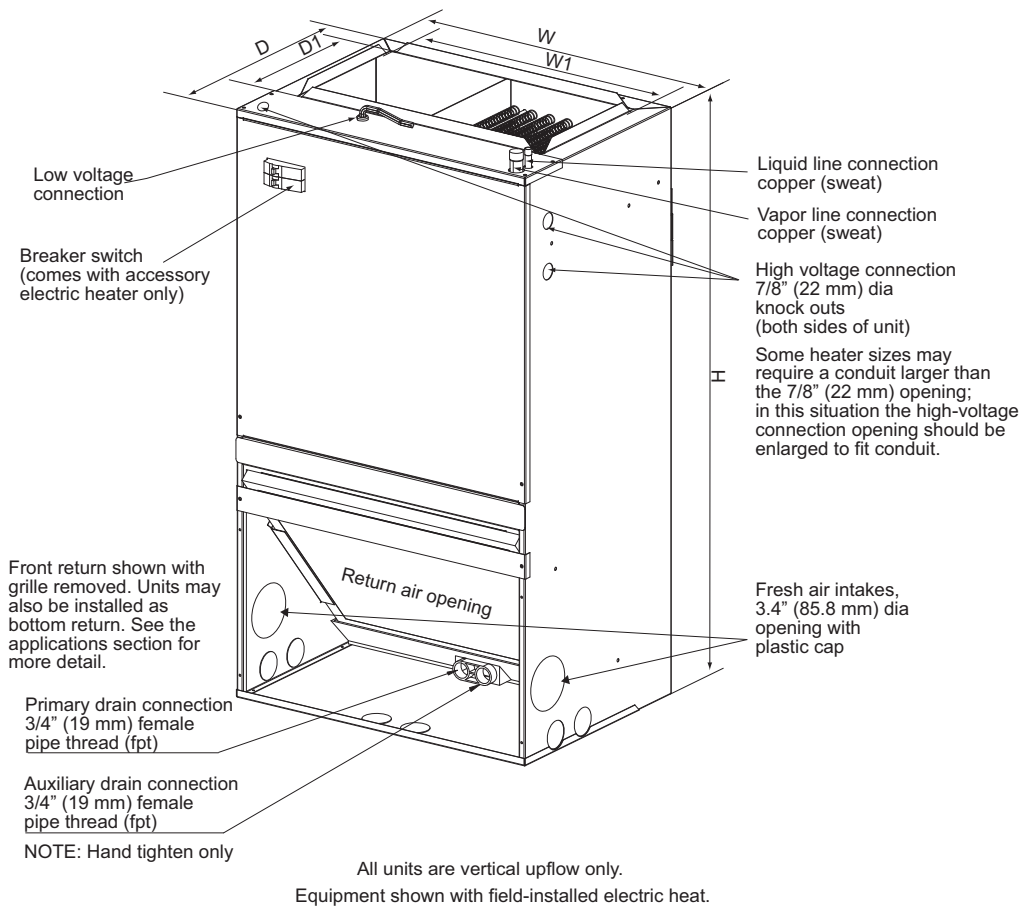
Never use air or gases containing oxygen for leak testing or operating refrigerant compressors. Pressurized mixtures of air or gases containing oxygen can lead to an explosion.

### **CAUTION**

#### **CUT HAZARD**

Failure to follow this caution may result in personal injury.

Sheet metal parts may have sharp edges or burrs. Use care and wear appropriate protective clothing and gloves when handling parts.



DIMENSIONAL DATA

MODEL SIZE	Dimensions inch [mm]					UNIT WEIGHT /SHIPPING WEIGHT (LBS./kg)
	UNIT HEIGHT "H" IN. [mm]	UNIT WIDTH "W" IN. [mm]	UNIT WIDTH "W1" IN. [mm]	UNIT LENGTH "D" IN. [mm]	UNIT LENGTH "D1" IN. [mm]	
18	36-1/2"[928]	20-1/2"[521]	17--2/5"[442]	15"[381]	9-1/2"[242]	88/99 [40]/[45]
24	36-1/2"[928]	20-1/2"[521]	17--2/5"[442]	15"[381]	9-1/2"[242]	88/99 [40]/[45]
30	39-1/2"[1004]	22"[559]	18--4/5"[478]	19"[483]	9-1/2"[242]	110/121 [50]/[55]
36	39-1/2"[1004]	22"[559]	18--4/5"[478]	19"[483]	9-1/2"[242]	110/121 [50]/[55]

Fig. 1 - Dimensional Drawing with Circuit Breaker

A13161

INSTALLATION

Step 1 — Check Equipment

Unpack unit and move to final location. Remove carton, taking care not to damage unit. Remove protective sheet metal from the base of the unit, if equipped. Inspect equipment for damage prior to installation. File claim with shipping company if shipment is damaged or incomplete. Locate rating plate on unit. It contains information needed to properly install unit. Check rating plate to be sure unit matches job specifications. A front access panel is provided, which permits access to blower assembly and electrical controls for removal and servicing.

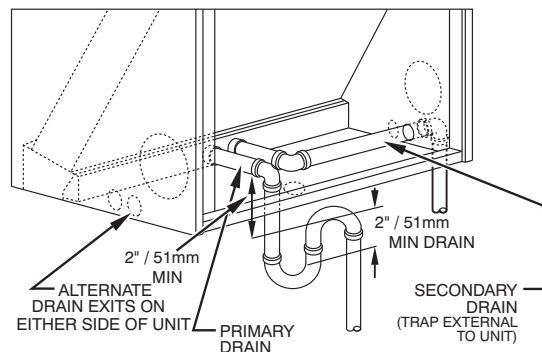
**NOTE:** Minimum clearance of 21" (533 mm) is required in front of access panel for servicing only. Installation clearance from combustible materials is 0" (0 mm) from cabinet and supply-air duct (plenum included). Ensure there is adequate space on top of unit for refrigerant line connections and on bottom of unit for condensate trap. (See Fig. 1 and 2.)

Step 2 — Mount Fan Coil

Fan coil Mounting Options

The fan coil comes standard with two different options for mounting: wall mount or frame mount. Both mounting options require the unit to be level from side to side and from front to back

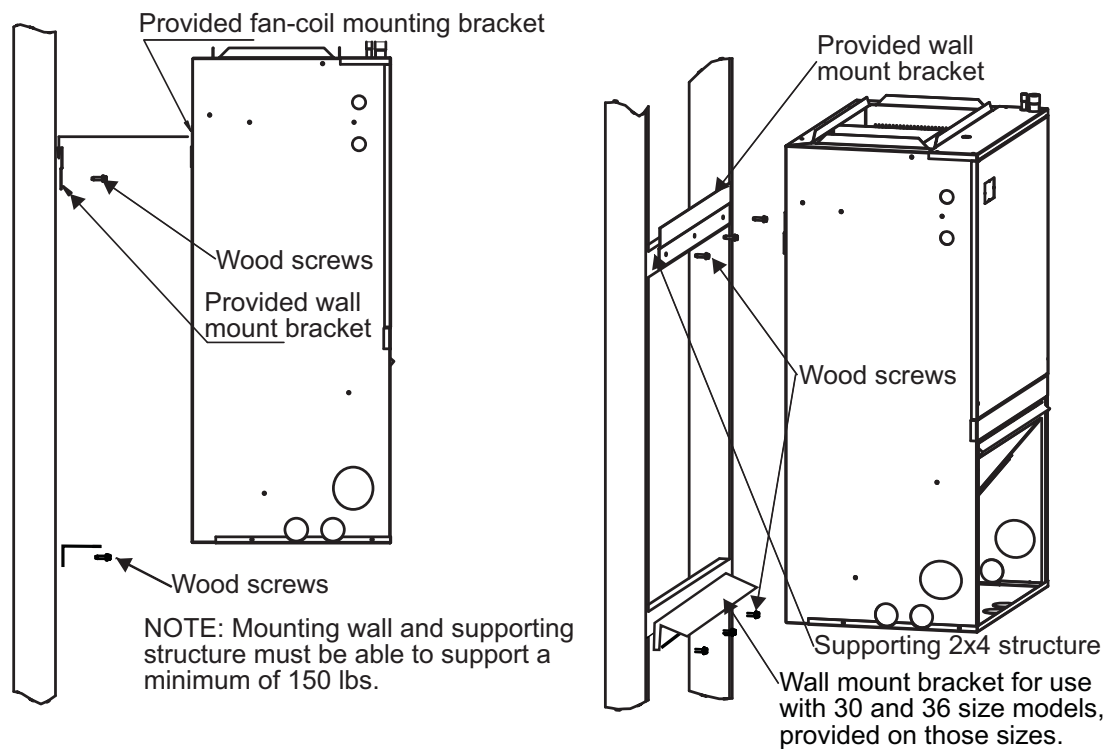
in order to allow condensate to properly drain from the unit. Failure to do this will result in condensate leaking out from the unit, potentially causing structural damage to the surrounding support structures, drywall, carpet, etc. around the unit. Also, both mounting structures require the ability to accommodate a minimum of load of 150 pounds. Failure to do this will cause damage to the support structure and potentially damage the unit.



**NOTE:** Use plastic pipe from condensate pan to exterior of fan coil.

Fig. 2 - Condensate Drain

A13011



**Fig. 3 - Wall Mount Installation**

A13007

**Wall Mount**

The fan coil comes standard with a wall mounting bracket and fan coil mounting bracket. Reference Fig. 3 for more detail.

1. Remove the wall mounting bracket from the back of the unit by removing one screw which attaches the bracket to the fan coil.

**NOTE:** Discard the screw after you have removed the wall mounting bracket.

2. Install bracket on the wall by using three wood screws (not provided) per wall-mount bracket. Make sure the bracket is level in order to provide proper drainage from the unit.

**NOTE:** Do not attach the wall mounting bracket into unsupported drywall. Make sure that the wood screws are going into a structure that can support a minimum load of 150 pounds.

3. Lift the fan coil above the wall mounting bracket and attach the unit to the installed bracket. Reference Fig. 3.

**Frame Mount**

The fan coil comes with eight clearance holes, four on each side. These holes are used to mount the fan coil inside a frame structure (see Fig. 4). When mounting in this fashion, make sure that the wood screws are mounted from within the fan coil and not outside of the unit. Installing the screws from outside of the unit may damage the coil.

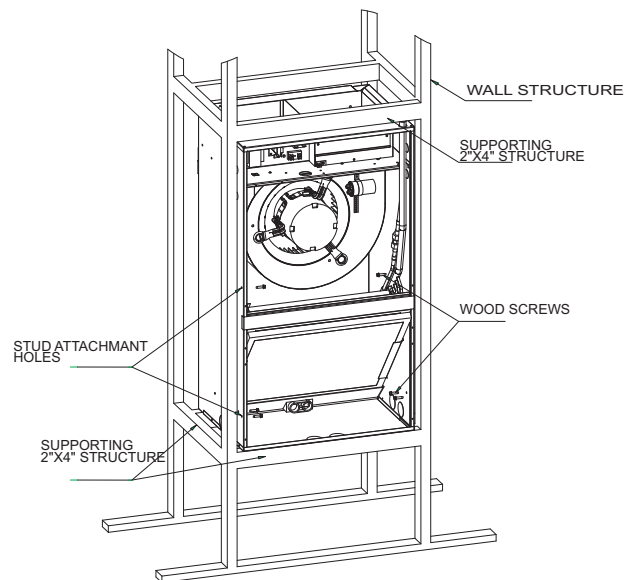
**After moving unit into place, install refrigerant tubing as follows:**

1. Route tubing to connection points, taking care not to block service access.
2. Remove plugs from liquid and vapor lines.
3. Braze connections using either silver bearing or non-silver bearing brazing material. Do not use soft solder (materials which melt below 800°F / 427°C). Consult local code

requirements. Always flow nitrogen through the system refrigerant lines while brazing.

4. Pressurize system and leak-test. Repeat procedure until leak-free.

**NOTE:** Fan coils are shipped with a piston metering device designed for the most common outdoor unit matches. The piston included with the fan coil is unique to this product and cannot be replaced with the piston shipped with the outdoor unit. Refer to AHRI ratings to check if your combination can use the piston shipped with the unit or requires an accessory TXV.



**Fig. 4 - Frame Mount Installation**

A13008

## ⚠ CAUTION

### ENVIRONMENTAL HAZARD

Failure to follow this caution may result in environmental damage.

Do not vent refrigerant to atmosphere. Recover during system repair or final unit disposal.

### Step 3 — Ductwork Specifications

Connect supply-air duct over 3/4" (19 mm) flange provided on supply-air opening. Secure duct to flange using applicable fasteners for type of duct used, and seal duct-to-unit joint.

**NOTE:** Short duct runs tend to increase noise level.

When fan coil is equipped with an electric heater, install air ducts in accordance with standards 90A and 90B of National Fire Protection Association (NFPA). Use of flexible connectors between ductwork and unit will prevent transmission of vibration. When electric heater is installed, use heat-resistant material for a flexible connector between ductwork and unit air discharge connection. Ductwork passing through unconditioned space must be insulated and covered with a vapor barrier.

**NOTE:** Unit is intended for nonducted return-air applications. Local codes may limit this unit to single-level applications.

## ⚠ WARNING

### INJURY HAZARD

Failure to follow this warning could result in personal injury or death.

Do not, under any circumstances, connect return ductwork to any other heat-producing device such as fireplace inserts, stoves, etc. Unauthorized use of such devices may result in fire, carbon monoxide poisoning, explosion, personal injury or property damage.

Design the duct system in accordance with "ACCA" Manual "0" Design for Residential Winter and Summer Conditioning and Equipment Selection. Latest editions are available from : "ACCA" Air Conditioning Contractors of America. If duct system incorporates flexible air duct, be sure pressure drop information (straight length plus all turns) shown in "ACCA" Manual "D" is accounted for in system.

### Conversion to Bottom Return

This product is shipped configured for front return and can be converted for bottom return. To convert the unit to bottom return, remove the bottom panel, return grille and lower front panel (short panel above front opening and below the filter slot). Attach the panel removed from the bottom of the unit to the front return opening. If desired, the front return grille can be attached to the bottom return opening.

### Step 4 — Condensate Drain

Condensate pan has primary and secondary drain connections to meet FHA requirements. (See Fig. 2.) These connections have 3/4" (19 mm) female pipe threads. Tubing for all condensate drains should be a minimum of 7/8" (22 mm) OD. Drain lines from condensate pan to exterior of unit must be plastic pipe. Drain should be pitched downward at a slope of 1" per 10' (25 mm per 3 m). If coil is located in or above a living space where damage may result from condensate overflow, a separate 3/4" (19 mm) drain must be provided from secondary drain connection. Run this drain

to a place in compliance with local installation codes where it will be noticed when unit is operational.

Condensate flow from secondary drain indicates a plugged primary drain. Install a 2" (51 mm) trap in condensate drain line as close to coil as possible. A factory approved drain trap kit, EBAC01CTK, is available. Make sure that the top of trap is below connection to drain pan to prevent condensate from overflowing drain pan. Prime all traps, test for leaks, and insulate in areas where sweating of the traps and drain lines could potentially cause water damage Consult local codes for additional restrictions or precautions.

Accessory UV lights are not approved for use with this fan coil.

### Step 5 — Electrical Connections

## ⚠ WARNING

### ELECTRICAL OPERATION HAZARD

Failure to follow this warning could result in personal injury or death.

Before installing or servicing unit, always turn off all power to unit. There may be more than one disconnect switch. Turn off accessory heater power if applicable. Lock out and tag switch with a suitable warning label.

Refer to unit wiring instructions for recommended wiring procedures. Use No. 18 AWG color-coded, insulated (35°C minimum) wire to make low-voltage connections between thermostat and unit. If thermostat is located more than 100 ft. (30m) from unit as measured along low-voltage wire, use No. 16 AWG color-coded, insulated (35°C minimum) wire.

**NOTE:** Before proceeding with electrical connections, make certain that voltage, frequency, and phase correspond to that specified on rating plate. Also, check to be sure that the service provided by utility is sufficient to handle additional load imposed by this equipment.

Refer to unit wiring label for proper field high- and low-voltage wiring. Make all electrical connections in accordance with NEC and any local codes or ordinances that might apply. Unit must have a separate branch electrical circuit.

## ⚠ WARNING

### ELECTRICAL SHOCK HAZARD

Failure to follow this warning could result in personal injury or death.

Field wires on side of disconnect found in fan coil remain live, even when circuit breaker is off. Service and maintenance to incoming wiring cannot be performed until main disconnect switch (remote to the unit) is turned off. Lock out and tag switch with a suitable warning label.

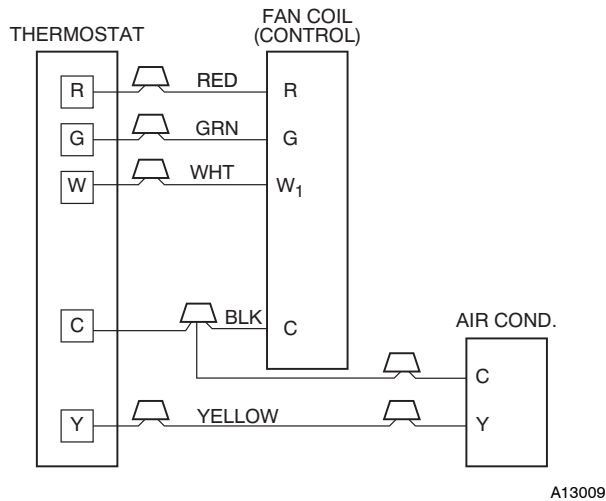
Unit cabinet must have a continuous electrical path to ground in order to minimize potential for personal injury or death if an electrical fault should occur. This ground may consist of electrical wire or approved conduit when installed in accordance with existing codes. (See Step 3. below.)

**NOTE:** All units are shipped from factory wired for 230VAC transformer operation. For 208VAC operation, move primary lead from 230VAC terminal to 208VAC terminal.

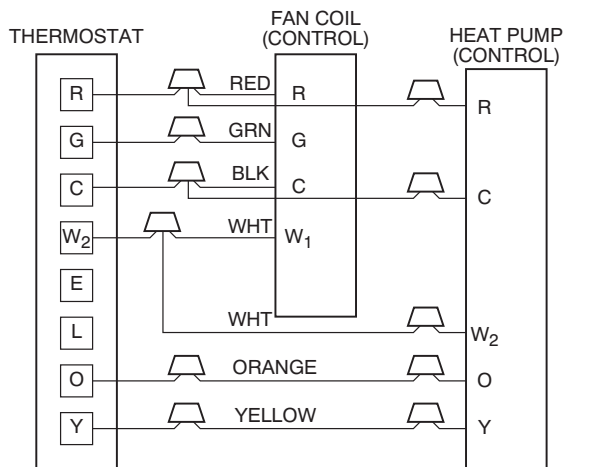
See Fig. 5 and 6 for field low-voltage wiring. See Fig. 1 for location of the electrical inlets. For maximum ampacity and over-current protection, see unit rating plate or product data sheet.

1. Provide power supply for unit being installed in accordance with unit wiring diagram and rating plate.

2. Connect line-voltage leads to the harness pigtail or the heat-kit circuit breaker. Use copper wire only.
3. Use UL listed conduit and conduit connector for connecting line-voltage leads to unit and obtaining proper ground. If conduit connection uses reducing washers, a separate ground wire must be used. Grounding can also be accomplished by using the ground lug provided in the control box. Power wiring may be connected to either the right or left sides or top of unit. Knockouts of 7/8" (22 mm) dia. are provided for connection of power wiring to unit. Some heater sizes may require a conduit larger than the 7/8" opening; in this situation the high-voltage connection opening should be enlarged to fit the conduit.  
When removing the knockouts for electrical connections, an opening in the insulation should be cut to fit the opening. The cut edge of the insulation should be reinforced with foil tape to prevent fraying. The foil facing and insulation shall not be removed beyond the knockout opening size.
4. Install plastic grommet packed with unit in hole for low-voltage wires.
5. Connect low-voltage leads to thermostat and outdoor unit.  
See Fig. 5 and 6 as well as the outdoor unit wiring label.



**Fig. 5 - Wiring Layout Air Conditioning Unit (Cooling and 1-Stage Heat)**



**Fig. 6 - Wiring Layout Heat Pump Unit (Cooling and 2-Stage Heat)**

### Step 6 — Select Proper Blower Speed

Before operating unit, be sure that the proper blower speed has been selected. Fan speeds are selected manually.

To change the fan speed:

Factory default fan speed is **medium**; fan-motor red wire connected to fan relay No. 4.

For **high** speed, connect fan-motor black wire to fan relay No. 4.

For **low** speed, connect fan-motor blue wire to fan relay No. 4 and fan-motor red wire to fan relay No. 6.

Always connect the unused fan-motor wire to the dummy terminal block.

When selecting the proper airflow, refer to table 1 below to choose proper blower speeds for cooling and heating.

### START-UP

Refer to outdoor unit Installation Instructions for system start-up instructions and refrigerant charging method details.

### SEQUENCE OF OPERATION

The blower motor in this unit has blower-on and blower-off delays. The blower-on delay is 0-30 seconds and will delay the start of the blower after a call for heating or cooling is received.

The blower-off delay is 45-75 seconds and will keep the motor running after a heating or cooling call ends.

### CARE AND MAINTENANCE

For continuing high performance and to minimize possible equipment failure, it is essential that periodic maintenance be performed on this equipment. The only required maintenance that may be performed by the consumer is filter maintenance.

## ⚠ WARNING

### ELECTRICAL OPERATION HAZARD

Failure to follow this warning could result in personal injury or death.

Disconnect all power to unit before servicing field wires or removing control package. The disconnect (when used) on access panel does not allow safe service to all other parts of unit.

If unit does not have a disconnect, disregard the foregoing. Instead, make sure that a disconnecting means is within sight from, and is readily accessible from, the unit.

Disconnect all electrical power to unit before performing any maintenance or service on it. Lock out and tag switch with a suitable warning label.

The minimum maintenance requirements for this equipment are as follows:

1. Inspect and clean or replace air filter each month or as required.
2. Inspect cooling coil, drain pan, and condensate drain each cooling season for cleanliness. Clean as necessary.
3. Inspect blower motor and wheel for cleanliness each heating and cooling season. Clean as necessary.
4. Inspect electrical connections for tightness and controls for proper operation each heating and cooling season. Service as necessary.

## ⚠ CAUTION

### CUT HAZARD

Failure to follow this caution may result in personal injury.

Sheet metal parts may have sharp edges or burrs. Use care and wear appropriate protective clothing and gloves when handling parts.

**NOTE:** The installing technician should explain system operation to the consumer with particular emphasis on indoor fan coil operation sounds and filter maintenance.

**Table 1 – Airflow Performance (CFM)**

MODEL SIZE	BLOWER SPEEDS	EXTERNAL STATIC PRESSURE (In. W.C.)							
		0	0.1	0.2	0.3	0.4	0.5	0.6	0.7
18	High	776	733	695	653	610	564	525	464
	Med	661	624	585	546	502	454	415	354
	Low	565	529	487	448	405	353	299	244
24	High	917	881	790	739	687	631	564	482
	Med	819	785	703	654	604	544	480	398
	Low	668	631	551	506	464	403	343	290
30	High	1236	1176	1115	1064	1000	936	861	793
	Med	1113	1065	1014	962	908	842	772	701
	Low	935	894	852	807	755	694	631	561
36	High	1350	1292	1228	1167	1108	1045	981	902
	Med	1266	1198	1139	1088	1029	970	905	831
	Low	1115	1066	1015	966	918	861	801	722

■ – Shaded boxes represent airflow outside the required 300-450 cfm/ton.

**NOTES:**

1. Airflow data includes use with electric heat and standard 1" fiberglass filter, and is measured in standard cfm.
2. Airflow data is with no return grill. When using a return grill on 18 & 24 sizes, decrease numbers above by approx. 10 cfm. For 30 & 36 sizes, decrease numbers above by approx. 50 cfm.
3. Airflow is equivalent for front or bottom return configurations.

**Table 2 – Required CFM Range for Cooling or Heat Pump Operation**

Size	CFM	
	Min	Max
18	450	675
24	600	900
30	750	1125
36	900	1350

**Table 3 – Filter Sizes**

Unit Size	Filter Size In. (mm)
18/24	16x20x1 (406x508x25)
30/36	20x20x1 (508x508x25)