



### EFFICIENT 13 SEER 3-PHASE AIR CONDITIONER ENVIRONMENTALLY SOUND R-410A REFRIGERANT 3 THRU 5 TONS SPLIT SYSTEM

208 / 230 Volt, 3-phase, 60 Hz

460 Volt, 3-phase, 60 Hz

#### REFRIGERATION CIRCUIT

- Copeland Scroll™ compressors on all models
- Filter-Drier supplied with every unit for field installation
- External high and low refrigerant service ports
- Low ambient feature allows safe operation down to 20°F (-7°C) outdoor temperature
- Copper tube / aluminum fin coil

#### PERFORMANCE

- Compressor Sound Jacket standard

#### EASY TO INSTALL AND SERVICE

- Comfort Alert™ Diagnostics device on all models
- Easy Access service valves on all models
- Innovative control box design
- High and Low pressure switches
- Fan motor in-line disconnect plug
- Only two screws to access control panel
- Factory charged with R-410A refrigerant

#### BUILT TO LAST

- High gloss, baked-on powder coat finish over galvanized steel
- Post-painted (black) coil fins
- Coated, weather-resistant cabinet screws
- Coated inlet grille with 3/8" (10mm) spacing for extra protection
- Corner Posts for extra strength and style

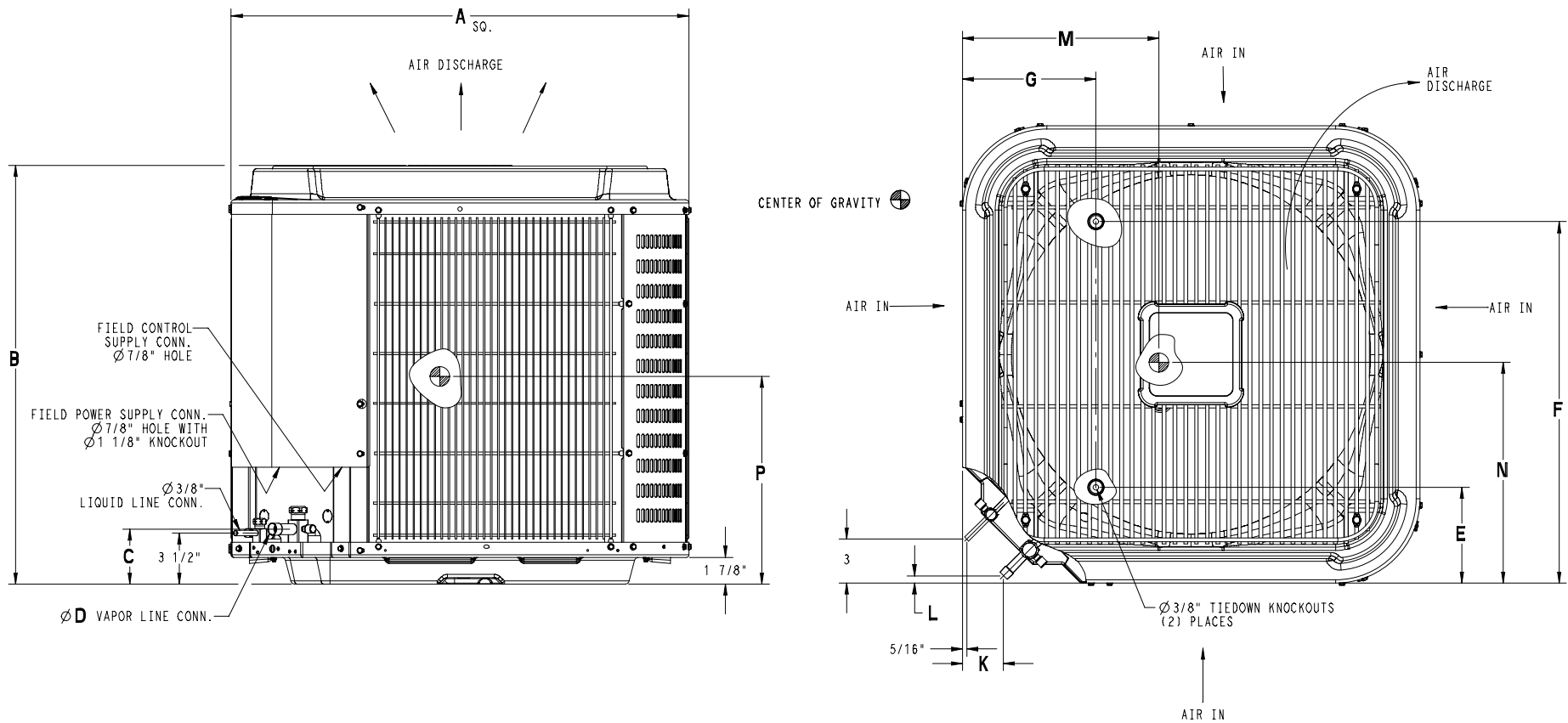
#### WARRANTY

- 5 year compressor limited warranty
- 1 year parts limited warranty

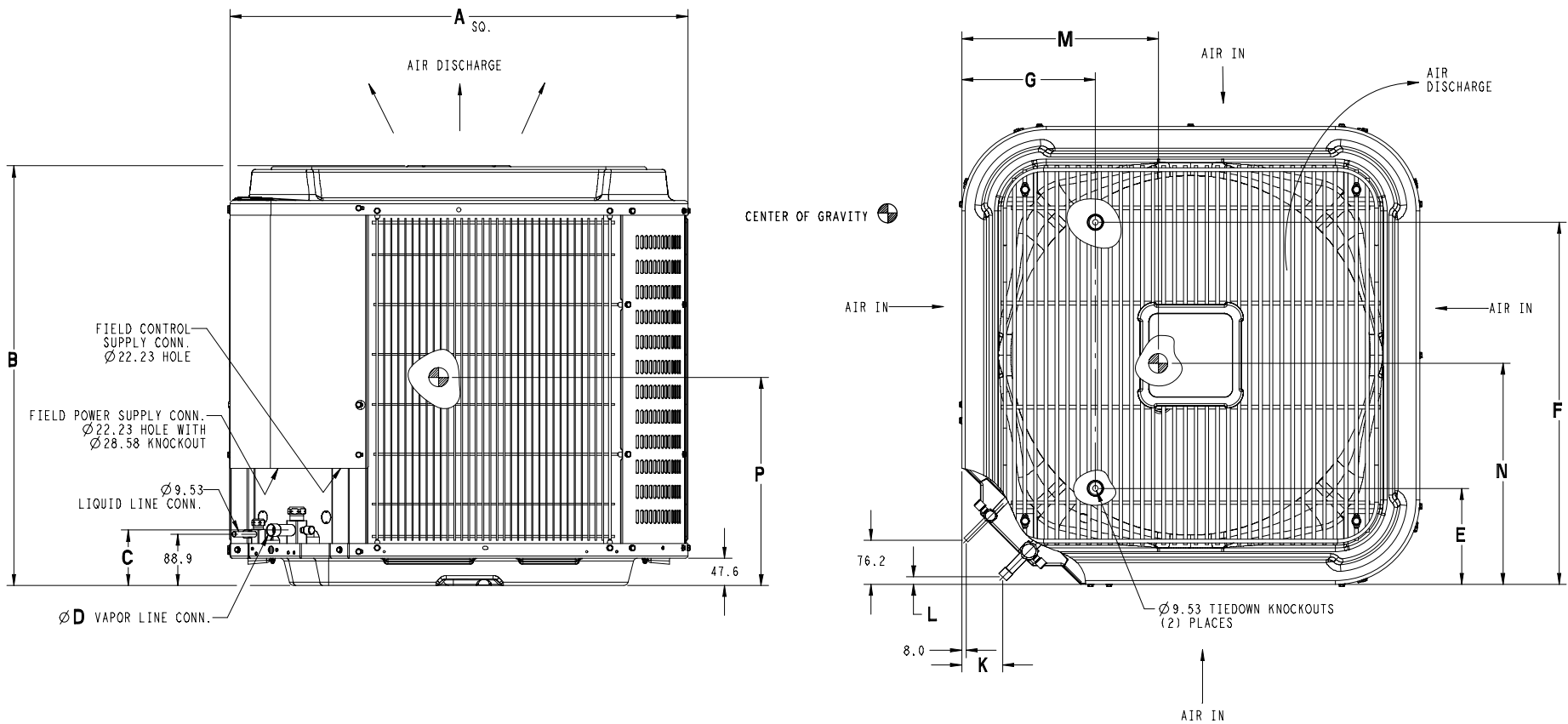


Rated in accordance with ARI Standard 210/240. Certification applies only when used with proper components as listed with ARI.

Model Number	Voltage	Size (tons)	Nominal Btu/hr	Min. Circuit Ampacity	Max. Fuse or Breaker	Operating Dim's h x w x d (in)	Ship / Operating Weight (lbs)
H4A336GHD	208/230	3	36,000	14.2	20	25 <sup>3</sup> / <sub>16</sub> x 31 <sup>1</sup> / <sub>16</sub> x 31 <sup>1</sup> / <sub>16</sub> (640 x 793 x 793)	196 / 160 (89 / 73)
H4A336GLD	460			7.7	15		
H4A342GHD	208/230	3½	42,000	18.0	30	32 x 31 <sup>1</sup> / <sub>16</sub> x 31 <sup>1</sup> / <sub>16</sub> (813 x 793 x 793)	230 / 195 (104 / 89)
H4A342GLD	460			8.0	15		
H4A348GHD	208/230	4	48,000	17.6	30	35 <sup>3</sup> / <sub>8</sub> x 31 <sup>1</sup> / <sub>16</sub> x 31 <sup>1</sup> / <sub>16</sub> (899 x 793 x 793)	243 / 203 (110 / 92)
H4A348GLD	460			8.2	15		
H4A360GHD	208/230	5	60,000	21.2	30	28 <sup>9</sup> / <sub>16</sub> x 31 <sup>1</sup> / <sub>16</sub> x 31 <sup>1</sup> / <sub>16</sub> (726 x 793 x 793)	250 / 215 (113 / 98)
H4A360GLD	460			10.3	20		



Model * = H or L	Dimensions Inches												Minimum Mounting Pad Size	Crated Dimensions B(h) x A(w) x R(d)
	A	B	C	D	E	F	G	K	L	M	N	P		
H4A336G*D	31 <sup>3</sup> / <sub>16</sub>	25 <sup>3</sup> / <sub>16</sub>	3 <sup>7</sup> / <sub>8</sub>	7 <sup>8</sup> / <sub>8</sub>	6 <sup>9</sup> / <sub>16</sub>	24 <sup>11</sup> / <sub>16</sub>	9 <sup>7</sup> / <sub>8</sub>	2 <sup>15</sup> / <sub>16</sub>	5 <sup>8</sup> / <sub>8</sub>	16	14	11	31 <sup>1</sup> / <sub>2</sub> x 31 <sup>1</sup> / <sub>2</sub>	32 <sup>9</sup> / <sub>16</sub> x 35 <sup>1</sup> / <sub>2</sub> x 32 <sup>5</sup> / <sub>16</sub>
H4A342G*D	31 <sup>3</sup> / <sub>16</sub>	32	3 <sup>7</sup> / <sub>8</sub>	7 <sup>8</sup> / <sub>8</sub>	6 <sup>9</sup> / <sub>16</sub>	24 <sup>11</sup> / <sub>16</sub>	9 <sup>7</sup> / <sub>8</sub>	2 <sup>15</sup> / <sub>16</sub>	5 <sup>8</sup> / <sub>8</sub>	15	16	15	31 <sup>1</sup> / <sub>2</sub> x 31 <sup>1</sup> / <sub>2</sub>	39 <sup>3</sup> / <sub>8</sub> x 35 <sup>1</sup> / <sub>2</sub> x 32 <sup>5</sup> / <sub>16</sub>
H4A348G*D	31 <sup>3</sup> / <sub>16</sub>	35 <sup>3</sup> / <sub>8</sub>	3 <sup>7</sup> / <sub>8</sub>	7 <sup>8</sup> / <sub>8</sub>	6 <sup>9</sup> / <sub>16</sub>	24 <sup>11</sup> / <sub>16</sub>	9 <sup>7</sup> / <sub>8</sub>	2 <sup>15</sup> / <sub>16</sub>	5 <sup>8</sup> / <sub>8</sub>	16	15	15	31 <sup>1</sup> / <sub>2</sub> x 31 <sup>1</sup> / <sub>2</sub>	42 <sup>3</sup> / <sub>4</sub> x 35 <sup>1</sup> / <sub>2</sub> x 32 <sup>5</sup> / <sub>16</sub>
H4A360G*D	31 <sup>3</sup> / <sub>16</sub>	28 <sup>9</sup> / <sub>16</sub>	3 <sup>7</sup> / <sub>8</sub>	7 <sup>8</sup> / <sub>8</sub>	6 <sup>9</sup> / <sub>16</sub>	7 <sup>1</sup> / <sub>16</sub>	9 <sup>7</sup> / <sub>8</sub>	2 <sup>15</sup> / <sub>16</sub>	5 <sup>8</sup> / <sub>8</sub>	15	14	12	31 <sup>1</sup> / <sub>2</sub> x 31 <sup>1</sup> / <sub>2</sub>	35 <sup>15</sup> / <sub>16</sub> x 35 <sup>1</sup> / <sub>2</sub> x 32 <sup>5</sup> / <sub>16</sub>



Dimensions MM

Model * = H or L	Dimensions MM												Minimum Mounting Pad Size	Crated Dimensions B(h) x A(w) x R(d)
	A	B	C	D	E	F	G	K	L	M	N	P		
H4A336G*D	793	640	98	22	167	626	232	75	16	406	356	279	800 x 800	827 x 901 x 821
H4A342G*D	793	813	98	22	167	626	232	75	16	381	406	381	800 x 800	1000 x 901 x 821
H4A348G*D	793	899	98	22	167	626	232	75	16	406	381	381	800 x 800	1086 x 901 x 821
H4A360G*D	793	726	98	22	167	626	232	75	16	381	356	305	800 x 800	913 x 901 x 821

PHYSICAL DATA				
Model Size	36GH/GL	42GH/GL	48GH/GL	60GH/GL
Nominal Cooling Capacity (BTU/hr)	36,000	42,000	48,000	60,000
Nominal SEER	13.0	13.0	13.0	13.0
Sound Rating (dBA)**	73	74	73	74
PSC Fan Motor HP	1/5	1/5	1/4	1/4
Fan RPM	840	841	828	816
Fan CFM (High)	3359	3359	3937	3937
Coil Face Area ft <sup>2</sup> (m <sup>2</sup> )	12.93	17.25	19.40	12.93
Coil Rows – fins per inch	1 – 25	1 – 25	1 – 25	2 – 20
Low Pressure Switch	Open Pressure (psig) Close Pressure (psig)	50 ± 7 95 ± 7	50 ± 7 95 ± 7	50 ± 7 95 ± 7
High Pressure Switch	Open Pressure (psig) Close Pressure (psig)	610 ± 10 420 ± 25	610 ± 10 420 ± 25	610 ± 10 420 ± 25
Liquid Line Connection Size in. (mm)	3/8 (10)	3/8 (10)	3/8 (10)	3/8 (10)
Vapor Line Connection Size (in.)	7/8 (22)	7/8 (22)	7/8 (22)	7/8 (22)
Recommended Line Set Liquid Tube Diameter in. (mm)	3/8 (10)	3/8 (10)	3/8 (10)	3/8 (10)
Recommended Line Set Vapor Tube Diameter in. (mm)*	7/8 (22)*	7/8 (22)*	7/8 (22)*	1 1/8 (29)*
* Recommended Vapor Tube Line size is for standard installations. These recommendations may not apply to “Long Line” installations. When the total equivalent line length exceeds 80 feet (24.4m) or there is more than 20 feet (6.1m) vertical separation between indoor and outdoor units, consult the Long Line Application Guideline document before purchasing/installing line sets.				
Factory Charge R-410A lbs. (kg)	5.34 (2.42)	5.84 (2.65)	7.00 (3.18)	8.19 (3.71)
Required Subcooling °F (°C)	12 (7)	10 (6)	15 (8)	10 (6)
Weight, shipping lbs. (kg)	196 (89)	230 (104)	243 (110)	250 (113)
Weight, operating lbs. (kg)	160 (73)	195 (89)	203 (92)	215 (98)

ELECTRICAL DATA								
Model Size	36GH	36GL	42GH	42GL	48GH	48GL	60GH	60GL
Supply Voltage, 3-phase 60 Hz.	208/230	460	208/230	460	208/230	460	208/230	460
Acceptable Voltage Range, min-max	197-253	414-506	197-253	414-506	197-253	414-506	197-253	414-506
Minimum Circuit Ampacity – <b>MCA</b> (amps)	14.2	7.7	18.0	8.0	17.6	8.2	21.2	10.3
Maximum OverCurrent Protective device – <b>MOCP</b> (amps)	20	15	30	15	30	15	30	15
Compr. <b>RLA</b> (Rated Load Amps) <b>LRA</b> (Locked Rotor Amps)	10.4 73.0	5.8 38.0	13.5 88.0	6.0 44.0	13.1 83.0	6.1 41.0	16.0 110.0	7.8 52.0
Fan Motor <b>FLA</b> (Full Load Amps)	1.1	0.5	1.1	0.5	1.2	0.6	1.2	0.6

\*\*Sound Rating tested in accordance with ARI Standard 270-95 (not listed with ARI).

**R-410A COOLING CAPACITY LOSS FOR VARIOUS LINE LENGTHS & TUBE DIAMETERS**

Model Size	Liquid Line in.(mm)	Acceptable Vapor Line Sizes in. (mm)	Cooling Capacity Loss (%) at Total Equivalent Line Length, feet (m) Refer to Long Line Application Guideline to calculate equivalent length										
			Standard Application			Long Line Application (Requires Accessories)							
			25' (7.6)	50' (15.2)	80' (24.4)	81' (24.7)	100' (30.5)	125' (38.1)	150' (45.7)	175' (53.3)	200' (61)	225' (68.6)	250' (76.2)
36	3/8 (10)	5/8 (16)	1	2	4	4	5	6	7	9	10	11	13
		3/4 (19)	0	0	1	1	1	2	2	3	3	4	4
		7/8 (22)	0	0	0	0	0	1	1	1	1	2	2
42		3/4 (19)	0	1	2	2	2	3	4	4	5	6	6
		7/8 (22)	0	0	1	1	1	1	2	2	2	3	3
		1 1/8 (29)	0	0	0	0	0	0	0	0	0	0	1
48		3/4 (19)	0	1	2	2	3	4	5	5	6	7	8
		7/8 (22)	0	0	1	1	1	2	2	2	3	3	4
		1 1/8 (29)	0	0	0	0	0	0	0	0	1	1	1
60	3/4 (19)	1	2	4	4	5	6	7	9	10	11	12	
	7/8 (22)	0	1	2	2	2	3	4	4	5	5	6	
	1 1/8 (29)	0	0	0	0	1	1	1	1	1	1	2	

\* Applications are considered "Long Line" if the total equivalent tubing length exceeds 80 feet (24.4m) or there is more than 20 foot (6.1m) vertical separation between indoor and outdoor units. These applications require additional accessories and system modifications for reliable system operation.

Applications in shaded area may have height restrictions that limit allowable total equivalent length when outdoor unit is below indoor unit.

**ACCESSORY USAGE GUIDELINES**

Accessory	REQUIRED FOR LOW-AMBIENT APPLICATIONS {Below 55°F (13°C)}	REQUIRED FOR LONG LINE APPLICATIONS* {Over 80 Ft.(24.4m)}
Evaporator Freeze Thermostat	<b>Yes</b>	No
Winter Start Control	<b>Yes</b>	No
Support Feet, 4" (102mm) tall	Recommended	No
Liquid Line Solenoid Valve	No	See Long-Line Application Guideline

\* For Line Set lengths between 80 and 200 ft (24.4 and 61m) horizontal, or more than 20 ft (6.1m) indoor-outdoor vertical separation, refer to the Long Line Application Guideline document.

**ACCESSORIES**

Part Number	Description	Used On Model Size
NASA001FS	Evaporator Freeze Thermostat	ALL
NASA401LS	Liquid Line Solenoid Valve, R-410A	ALL
NASA001TD	Time Delay Relay, Indoor Blower	ALL
NASA001WS	Winter Start Control	ALL
NASA001AC	Anti-Cycle Timer (5 minute delay)	ALL
NASA001SF	Support Feet, 4" tall	ALL
NASA003CH	Crankcase Heater	36
NASA00501CH	Crankcase Heater	42, 48, 60
EBAC06TXVX	TXV Kit, R-410A *	36, 42
EBAC07TXVX	TXV Kit, R-410A *	48, 60

\* ONLY converts Fan Coils equipped with factory installed R-22 TXV.

**COOLING PERFORMANCE FOR COMBINATION RATINGS**  
**Indoor Models**

Outdoor Model	Current Indoor Model († tested combo)	Furnace Model	Factory Installed	Cooling 95° F (35° C)			SEER	
				BTU/hr	S/T	EER	factory	w/ field TDR
H4A336GHD H4A336GLD	‡ED*4X36F**	†	TXV	35,200	0.75	11.00		13.20
	ED*4X36B**	*8MPV050	TDR&TXV	34,000	0.75	11.00	13.20	
	ED*4X36B**	MV08B15**B*	TDR&TXV	34,600	0.75	11.70	14.00	
	ED*4X36B**	†	TXV	34,200	0.75	11.00		13.20
	ED*4X36F**	*8MPV075	TDR&TXV	35,200	0.75	11.50	13.50	
	ED*4X36F**	*9MPV050	TDR&TXV	35,000	0.75	11.20	13.20	
	ED*4X36F**	*9MPV075	TDR&TXV	35,200	0.75	11.20	13.50	
	ED*4X36F**	*9MVX040	TDR&TXV	35,000	0.75	11.00	13.20	
	ED*4X36F**	*9MVX060	TDR&TXV	35,200	0.75	11.20	13.50	
	ED*4X36F**	MV12F19**B*	TDR&TXV	35,200	0.75	12.00	14.50	
	ED*4X36J**	*8MPV100	TDR&TXV	35,200	0.75	11.70	14.00	
	ED*4X36J**	*8MPV125	TDR&TXV	35,200	0.75	12.00	14.00	
	ED*4X36J**	*9MPV100	TDR&TXV	35,200	0.75	11.70	13.50	
	ED*4X36J**	*9MVX080	TDR&TXV	35,200	0.75	11.70	13.50	
	ED*4X36J**	MV16J22**B*	TDR&TXV	35,200	0.75	12.20	14.50	
	ED*4X36J**	†	TXV	35,200	0.75	11.00		13.20
	ED*4X42F**	*8MPV075	TDR&TXV	35,000	0.75	11.70	13.50	
	ED*4X42F**	*9MPV050	TDR&TXV	34,400	0.75	11.20	13.20	
	ED*4X42F**	*9MPV075	TDR&TXV	34,600	0.75	11.20	13.50	
	ED*4X42F**	*9MVX040	TDR&TXV	35,200	0.75	11.20	13.20	
	ED*4X42F**	*9MVX060	TDR&TXV	35,200	0.75	11.50	13.50	
	ED*4X42F**	MV12F19**B*	TDR&TXV	35,000	0.75	12.20	14.50	
	ED*4X42F**	†	TXV	34,800	0.75	11.00		13.20
	ED*4X42J**	*8MPV100	TDR&TXV	35,200	0.75	12.00	14.00	
	ED*4X42J**	*8MPV125	TDR&TXV	35,200	0.75	12.00	14.50	
	ED*4X42J**	*9MPV100	TDR&TXV	35,200	0.75	11.70	14.00	
	ED*4X42J**	*9MVX080	TDR&TXV	35,200	0.75	11.70	14.00	
	ED*4X42J**	MV16J22**B*	TDR&TXV	35,200	0.75	12.20	14.50	
	ED*4X42J**	†	TXV	35,200	0.75	11.00		13.20
	ED*4X42L**	*9MPV125	TDR&TXV	35,200	0.75	12.00	14.00	
	ED*4X42L**	*9MVX100	TDR&TXV	35,200	0.75	12.00	14.00	
	ED*4X42L**	MV20L24**B*	TDR&TXV	35,200	0.75	12.20	14.50	
	ED*4X42L**	†	TXV	35,200	0.75	11.00		13.20
	EHD4X36A**	*8MPV050	TDR&TXV	35,200	0.75	11.00	13.20	
	EHD4X36A**	*8MPV075	TDR&TXV	35,200	0.75	11.50	13.50	
	EHD4X36A**	*8MPV100	TDR&TXV	35,200	0.75	11.70	14.00	
	EHD4X36A**	*8MPV125	TDR&TXV	35,200	0.75	12.00	14.00	
	EHD4X36A**	*9MPV050	TDR&TXV	35,200	0.75	11.20	13.20	
	EHD4X36A**	*9MPV075	TDR&TXV	35,200	0.75	11.20	13.50	
	EHD4X36A**	*9MPV100	TDR&TXV	35,200	0.75	11.70	13.50	
EHD4X36A**	*9MPV125	TDR&TXV	35,200	0.75	12.00	14.00		
EHD4X36A**	*9MVX040	TDR&TXV	35,000	0.75	11.00	13.20		
EHD4X36A**	*9MVX060	TDR&TXV	35,200	0.75	11.20	13.50		
EHD4X36A**	*9MVX080	TDR&TXV	35,200	0.75	11.70	13.50		
EHD4X36A**	*9MVX100	TDR&TXV	35,200	0.75	12.00	14.00		
EHD4X36A**	MV08B15**B*	TDR&TXV	35,200	0.75	11.70	14.00		

ENERGY STAR (Light Commercial) compliance for combinations with SEER 13.00 or higher.

† For coils not listed with a matching furnace or blower, coil rating applies with any indoor blower device.

- continued on next page -

COOLING PERFORMANCE FOR COMBINATION RATINGS (continued)								
Indoor Models								
Outdoor Model	Current Indoor Model (‡ tested combo)	Furnace Model	Factory Installed	Cooling 95° F (35° C)			SEER	
				BTU/hr	S/T	EER	factory	w/ field TDR
H4A336GHD H4A336GLD (continued)	EHD4X36A**	MV12F19**B*	TDR&TXV	35,200	0.75	12.00	14.50	
	EHD4X36A**	MV16J22**B*	TDR&TXV	35,200	0.75	12.20	14.50	
	EHD4X36A**	MV20L24**B*	TDR&TXV	35,200	0.75	12.20	14.50	
	EHD4X36A**	†	TXV	35,200	0.75	11.00		13.20
	EHD4X42A**	*8MPV050	TDR&TXV	35,200	0.75	11.20	13.50	
	EHD4X42A**	*8MPV075	TDR&TXV	35,200	0.75	11.70	13.50	
	EHD4X42A**	*8MPV100	TDR&TXV	35,200	0.75	12.00	14.00	
	EHD4X42A**	*8MPV125	TDR&TXV	35,200	0.75	12.00	14.50	
	EHD4X42A**	*9MPV050	TDR&TXV	35,200	0.75	11.20	13.20	
	EHD4X42A**	*9MPV075	TDR&TXV	35,200	0.75	11.20	13.50	
	EHD4X42A**	*9MPV100	TDR&TXV	35,200	0.75	11.70	14.00	
	EHD4X42A**	*9MPV125	TDR&TXV	35,200	0.75	12.00	14.00	
	EHD4X42A**	*9MVX040	TDR&TXV	35,200	0.75	11.20	13.20	
	EHD4X42A**	*9MVX060	TDR&TXV	35,200	0.75	11.50	13.50	
	EHD4X42A**	*9MVX080	TDR&TXV	35,200	0.75	11.70	14.00	
	EHD4X42A**	*9MVX100	TDR&TXV	35,200	0.75	12.00	14.00	
	EHD4X42A**	MV08B15**B*	TDR&TXV	35,200	0.75	12.20	14.50	
	EHD4X42A**	MV12F19**B*	TDR&TXV	35,200	0.75	12.20	14.50	
	EHD4X42A**	MV16J22**B*	TDR&TXV	35,200	0.75	12.20	14.50	
	EHD4X42A**	MV20L24**B*	TDR&TXV	35,200	0.75	12.20	14.50	
	EHD4X42A**	†	TXV	35,200	0.75	11.00		13.20
	EMA4X36D**	†	TXV	35,200	0.75	11.00		13.20
	FEM4X36****	†	TDR&TXV	35,200	0.75	11.70	14.00	
	FEM4X42****	†	TDR&TXV	35,200	0.75	11.70	14.00	
	FS(M,U)4X42****	†	TDR&TXV	35,200	0.75	11.00	13.00	
	FSA4X36**A*	†	TDR&TXV	35,200	0.75	10.80	13.00	
	FSM4X36****	†	TDR&TXV	35,200	0.75	11.00	13.20	
	FSU4X36****	†	TDR&TXV	35,200	0.75	10.80	13.00	
	FVM4X24****	†	TDR&TXV	35,200	0.75	11.70	13.50	
	FVM4X36****	†	TDR&TXV	35,200	0.75	12.00	14.50	
	FVM4X48****	†	TDR&TXV	35,200	0.75	12.20	14.50	
	FVM4X60****	†	TDR&TXV	35,200	0.75	12.50	15.00	
H4A342GHD H4A342GLD	‡ED*4X42J**	†	TXV	41,000	0.77	11.00		13.20
	ED*4X42F**	*8MPV075	TDR&TXV	40,000	0.77	11.20	13.50	
	ED*4X42F**	*9MPV075	TDR&TXV	40,000	0.77	11.00	13.00	
	ED*4X42F**	*9MVX060	TDR&TXV	40,000	0.77	11.20	13.20	
	ED*4X42F**	MV12F19**B*	TDR&TXV	40,000	0.77	12.00	14.00	
	ED*4X42F**	†	TXV	41,000	0.77	11.00		13.20
	ED*4X42J**	*8MPV100	TDR&TXV	40,500	0.77	11.70	14.00	
	ED*4X42J**	*8MPV125	TDR&TXV	40,500	0.77	11.70	14.00	
	ED*4X42J**	*9MVX080	TDR&TXV	40,000	0.77	11.50	13.50	
	ED*4X42J**	MV16J22**B*	TDR&TXV	40,500	0.77	12.20	14.50	
	ED*4X42L**	*9MPV125	TDR&TXV	40,000	0.77	11.70	14.00	
	ED*4X42L**	MV20L24**B*	TDR&TXV	40,500	0.77	12.20	14.50	

ENERGY STAR (Light Commercial) compliance for combinations with SEER 13.00 or higher.

† For coils not listed with a matching furnace or blower, coil rating applies with any indoor blower device.

- continued on next page -

COOLING PERFORMANCE FOR COMBINATION RATINGS (continued)								
Indoor Models								
Outdoor Model	Current Indoor Model († tested combo)	Furnace Model	Factory Installed	Cooling 95° F (35° C)			SEER	
				BTU/hr	S/T	EER	factory	w/ field TDR
H4A342GHD H4A342GLD (continued)	ED*4X42L**	†	TXV	41,000	0.77	11.00		13.20
	ED*4X48F**	*8MPV075	TDR&TXV	41,000	0.77	11.20	13.50	
	ED*4X48F**	*9MPV075	TDR&TXV	40,500	0.77	11.20	13.20	
	ED*4X48F**	*9MVX060	TDR&TXV	40,500	0.77	11.20	13.50	
	ED*4X48F**	MV12F19**B*	TDR&TXV	41,000	0.77	12.20	14.50	
	ED*4X48F**	†	TXV	41,000	0.77	11.20		13.20
	ED*4X48J**	*8MPV100	TDR&TXV	41,500	0.77	11.70	14.00	
	ED*4X48J**	*8MPV125	TDR&TXV	41,000	0.77	12.00	14.00	
	ED*4X48J**	*9MPV100	TDR&TXV	41,500	0.77	11.00	13.20	
	ED*4X48J**	*9MVX080	TDR&TXV	41,000	0.77	11.70	13.50	
	ED*4X48J**	MV16J22**B*	TDR&TXV	41,000	0.77	12.20	14.50	
	ED*4X48J**	†	TXV	41,000	0.77	11.20		13.20
	ED*4X48L**	*9MPV125	TDR&TXV	41,000	0.77	12.00	14.00	
	ED*4X48L**	*9MVX100	TDR&TXV	41,000	0.77	12.00	14.00	
	ED*4X48L**	MV20L24**B*	TDR&TXV	41,000	0.77	12.20	14.50	
	ED*4X48L**	†	TXV	41,000	0.77	11.20		13.20
	EHD4X42A**	*8MPV075	TDR&TXV	40,000	0.77	11.20	13.50	
	EHD4X42A**	*8MPV100	TDR&TXV	40,500	0.77	11.70	14.00	
	EHD4X42A**	*8MPV125	TDR&TXV	40,500	0.77	11.70	14.00	
	EHD4X42A**	*8MPV125	TDR&TXV	41,000	0.77	12.00	14.00	
	EHD4X42A**	*9MPV075	TDR&TXV	40,000	0.77	11.00	13.00	
	EHD4X42A**	*9MPV100	TDR&TXV	40,500	0.77	11.70	14.00	
	EHD4X42A**	*9MPV125	TDR&TXV	40,000	0.77	11.70	14.00	
	EHD4X42A**	*9MVX060	TDR&TXV	40,000	0.77	11.20	13.20	
	EHD4X42A**	*9MVX080	TDR&TXV	40,000	0.77	11.50	13.50	
	EHD4X42A**	*9MVX100	TDR&TXV	40,000	0.77	12.00	14.00	
	EHD4X42A**	MV12F19**B*	TDR&TXV	40,000	0.77	12.00	14.00	
	EHD4X42A**	MV16J22**B*	TDR&TXV	40,500	0.77	12.20	14.50	
	EHD4X42A**	MV20L24**B*	TDR&TXV	41,000	0.77	12.20	14.50	
	EHD4X42A**	†	TXV	41,000	0.77	11.00		13.20
	EHD4X48A**	*8MPV075	TDR&TXV	41,500	0.77	11.20	13.50	
	EHD4X48A**	*8MPV100	TDR&TXV	41,000	0.77	11.70	14.00	
	EHD4X48A**	*9MPV075	TDR&TXV	41,000	0.77	11.20	13.20	
	EHD4X48A**	*9MPV100	TDR&TXV	41,500	0.77	11.00	13.20	
	EHD4X48A**	*9MPV125	TDR&TXV	41,000	0.77	12.00	14.00	
	EHD4X48A**	*9MVX060	TDR&TXV	41,000	0.77	11.20	13.50	
	EHD4X48A**	*9MVX080	TDR&TXV	41,000	0.77	11.70	13.50	
	EHD4X48A**	*9MVX100	TDR&TXV	41,000	0.77	12.00	14.00	
	EHD4X48A**	MV12F19**B*	TDR&TXV	41,000	0.77	12.20	14.50	
	EHD4X48A**	MV16J22**B*	TDR&TXV	41,000	0.77	12.20	14.50	
EHD4X48A**	MV20L24**B*	TDR&TXV	41,000	0.77	12.20	14.50		
EHD4X48A**	†	TXV	41,000	0.77	11.20		13.20	
EMA4X48D**	†	TXV	41,000	0.77	11.00		13.20	
FEM4X42****	†	TDR&TXV	41,000	0.77	11.70	14.00		
FEM4X48****	†	TDR&TXV	41,000	0.77	12.00	14.00		
FS(M,U)4X42****	†	TDR&TXV	41,000	0.77	11.00	13.00		

ENERGY STAR (Light Commercial) compliance for combinations with SEER 13.00 or higher.

† For coils not listed with a matching furnace or blower, coil rating applies with any indoor blower device.

- continued on next page -



COOLING PERFORMANCE FOR COMBINATION RATINGS (continued)								
Indoor Models								
Outdoor Model	Current Indoor Model († tested combo)	Furnace Model	Factory Installed	Cooling 95° F (35° C)			SEER	
				BTU/hr	S/T	EER	factory	w/ field TDR
H4A342GHD H4A342GLD (continued)	FS(M,U)4X48****	†	TDR&TXV	41,000	0.77	11.20	13.20	
	FSM4X36****	†	TDR&TXV	41,000	0.77	11.00	13.00	
	FVM4X48****	†	TDR&TXV	41,000	0.77	12.20	14.50	
	FVM4X60****	†	TDR&TXV	41,000	0.77	12.20	14.50	
H4A348GHD H4A348GLD	‡ED*4X48J**	†	TXV	46,000	0.71	11.00		13.20
	ED*4X48F**	†	TXV	45,000	0.71	11.00		13.20
	ED*4X48J**	*8MPV100	TDR&TXV	45,000	0.71	11.50	13.50	
	ED*4X48J**	*8MPV125	TDR&TXV	45,000	0.71	11.70	13.50	
	ED*4X48J**	*9MPV100	TDR&TXV	45,000	0.71	11.20	13.20	
	ED*4X48J**	*9MVX080	TDR&TXV	45,500	0.71	11.20	13.20	
	ED*4X48J**	MV16J22**B*	TDR&TXV	45,000	0.71	12.00	14.00	
	ED*4X48L**	*9MPV125	TDR&TXV	45,500	0.71	11.50	13.50	
	ED*4X48L**	*9MVX100	TDR&TXV	45,000	0.71	11.50	13.50	
	ED*4X48L**	MV20L24**B*	TDR&TXV	45,500	0.71	12.00	14.00	
	ED*4X48L**	†	TXV	46,000	0.71	11.00		13.20
	ED*4X60J**	*8MPV100	TDR&TXV	46,000	0.71	11.70	14.00	
	ED*4X60J**	*8MPV125	TDR&TXV	46,000	0.71	12.00	14.00	
	ED*4X60J**	*9MPV100	TDR&TXV	46,000	0.71	11.70	13.50	
	ED*4X60J**	*9MVX080	TDR&TXV	46,500	0.71	11.70	13.50	
	ED*4X60J**	MV16J22**B*	TDR&TXV	46,000	0.71	12.20	14.50	
	ED*4X60J**	†	TXV	46,000	0.71	11.20		13.20
	ED*4X60L**	*9MPV125	TDR&TXV	46,500	0.71	11.70	13.50	
	ED*4X60L**	*9MVX100	TDR&TXV	46,000	0.71	11.70	13.50	
	ED*4X60L**	MV20L24**B*	TDR&TXV	46,500	0.71	12.20	14.50	
	ED*4X60L**	†	TXV	46,500	0.71	11.20		13.20
	EHD4X48A**	*8MPV100	TDR&TXV	46,000	0.71	11.50	13.50	
	EHD4X48A**	*8MPV125	TDR&TXV	46,000	0.71	11.70	13.50	
	EHD4X48A**	*9MPV100	TDR&TXV	45,500	0.71	11.20	13.20	
	EHD4X48A**	*9MPV125	TDR&TXV	45,500	0.71	11.50	13.50	
	EHD4X48A**	*9MVX080	TDR&TXV	45,500	0.71	11.20	13.20	
	EHD4X48A**	*9MVX100	TDR&TXV	45,000	0.71	11.50	13.50	
	EHD4X48A**	MV16J22**B*	TDR&TXV	46,000	0.71	12.00	14.00	
	EHD4X48A**	MV20L24**B*	TDR&TXV	46,000	0.71	12.00	14.00	
	EHD4X48A**	†	TXV	46,000	0.71	11.00		13.20
	EHD4X60A**	*8MPV100	TDR&TXV	46,500	0.71	11.70	14.00	
	EHD4X60A**	*8MPV125	TDR&TXV	46,500	0.71	12.00	14.00	
	EHD4X60A**	*9MPV100	TDR&TXV	46,500	0.71	11.70	13.50	
	EHD4X60A**	*9MPV125	TDR&TXV	46,500	0.71	11.70	13.50	
	EHD4X60A**	*9MVX080	TDR&TXV	46,500	0.71	11.70	13.50	
	EHD4X60A**	*9MVX100	TDR&TXV	46,000	0.71	11.70	13.50	
	EHD4X60A**	MV16J22**B*	TDR&TXV	46,500	0.71	12.20	14.50	
	EHD4X60A**	MV20L24**B*	TDR&TXV	46,500	0.71	12.20	14.50	
	EHD4X60A**	†	TXV	46,500	0.71	11.20		13.20
	EMA4X48D**	†	TXV	45,000	0.71	11.00		13.20

ENERGY STAR (Light Commercial) compliance for combinations with SEER 13.00 or higher.

† For coils not listed with a matching furnace or blower, coil rating applies with any indoor blower device.

- continued on next page -

COOLING PERFORMANCE FOR COMBINATION RATINGS (continued)								
Indoor Models								
Outdoor Model	Current Indoor Model († tested combo)	Furnace Model	Factory Installed	Cooling 95° F (35° C)			SEER	
				BTU/hr	S/T	EER	factory	w/ field TDR
H4A348GHD H4A348GLD (continued)	FEM4X48****	†	TDR&TXV	46,500	0.71	11.70	13.50	
	FEM4X60****	†	TDR&TXV	47,500	0.71	12.00	14.00	
	FS(M,U)4X48****	†	TDR&TXV	45,500	0.71	11.20	13.20	
	FS(M,U)4X60****	†	TDR&TXV	46,500	0.71	11.20	13.20	
	FVM4X48****	†	TDR&TXV	46,000	0.71	12.00	14.00	
	FVM4X60****	†	TDR&TXV	46,500	0.71	12.20	14.50	
H4A360GHD H4A360GLD	†ED*4X60L**	†	TXV	57,500	0.74	11.00		13.00
	ED*4X60J**	MV16J22**B*	TDR&TXV	57,000	0.74	11.20	13.50	
	ED*4X60J**	†	TXV	57,500	0.74	11.00		13.00
	ED*4X60L**	MV20L24**B*	TDR&TXV	57,000	0.74	11.20	13.20	
	EHD4X60A**	MV16J22**B*	TDR&TXV	57,500	0.74	11.50	13.50	
	EHD4X60A**	MV20L24**B*	TDR&TXV	57,000	0.74	11.20	13.20	
	EHD4X60A**	†	TXV	57,500	0.74	11.00		13.00
	FEM4X60****	†	TDR&TXV	57,500	0.74	11.20	13.20	
	FVM4X60****	†	TDR&TXV	57,500	0.74	11.50	13.50	

ENERGY STAR (Light Commercial) compliance for combinations with SEER 13.00 or higher.  
 † For coils not listed with a matching furnace or blower, coil rating applies with any indoor blower device.



This product has been designed and manufactured to meet ENERGY STAR criteria for energy efficiency when matched with appropriate coil components. However, proper refrigerant charge and proper air flow are critical to achieve rated capacity and efficiency. Installation of this product should follow the manufacturer's refrigerant charging and air flow instructions. Failure to confirm proper charge and airflow may reduce energy efficiency and shorten equipment life.

<b>OUTDOOR UNIT MODEL NUMBER IDENTIFICATION GUIDE (3-phase)</b>											
Digit Position:	1	2	3	4	5, 6	7	8	9	10	11	12
Example Part Number:	<b>H</b>	<b>4</b>	<b>A</b>	<b>3</b>	<b>36</b>	<b>G</b>	<b>H</b>	<b>D</b>	<b>1</b>	<b>0</b>	<b>0</b>
Product Family											
2 = R-22											
4 = R-410A <b>REFRIGERANT</b>											
A = Air Conditioner											
H = Heat Pump <b>TYPE</b>											
3 = 13 SEER											
4 = 14 SEER <b>NOMINAL EFFICIENCY</b>											
36 = 36,000 BTUH = 3 tons											
42 = 42,000 BTUH = 3½ tons											
48 = 48,000 BTUH = 4 tons											
60 = 60,000 BTUH = 5 tons <b>NOMINAL CAPACITY</b>											
A = Standard Grille											
G = Coil Guard Grille <b>FEATURES</b>											
H = 208/230-3-60											
L = 460-3-60 <b>VOLTAGE</b>											
Sales Code											
Engineering Revision											
Extra Digit											
Extra Digit											

<b>ACCESSORIES PART NUMBER IDENTIFICATION GUIDE</b>									
Digit Position:	1	2	3	4	5	6, 7	8, 9	10, 11	
Example Part Number:	<b>N</b>	<b>A</b>	<b>S</b>	<b>A</b>	<b>0</b>	<b>01</b>	<b>01</b>	<b>CH</b>	
N = Non-Branded <b>BRANDING</b>									
A = Accessory <b>PRODUCT GROUP</b>									
S = Split System (AC & HP) <b>KIT USAGE</b>									
A = Original									
B = 2nd Generation <b>MAJOR SERIES</b>									
0 = Generic or Not Applicable									
2 = R-22									
4 = R-410A <b>REFRIGERANT</b>									
Product Identifier Number									
Package Quantity									
Type of Kit (Example: CH = Crankcase Heater)									