



N4H3

Product Specifications

**EFFICIENT 13 SEER 3-PHASE HEAT PUMP
 ENVIRONMENTALLY SOUND R-410A REFRIGERANT
 2½ THRU 5 TONS SPLIT SYSTEM
 208 / 230 Volt, 3-phase, 60 Hz
 460 Volt, 3-phase, 60 Hz**

REFRIGERATION CIRCUIT

- Copeland Scroll™ compressors on all models
- Crankcase Heaters factory installed on all models
- Suction line accumulator factory installed
- Bi-flow filter-drier included for field installation
- Integrated solid state control with Time-Temperature Defrost
- High and Low pressure switches
- Copper tube / aluminum fin coil

EASY TO INSTALL AND SERVICE

- Phase monitor board detects issues with 3-phase line voltage
- Easy access service valves on all models
- Innovative control box design
- External high and low refrigerant service ports
- Only two screws to access control panel
- Factory charged with R-410A refrigerant

BUILT TO LAST

- Baked-on powder coat finish over galvanized steel
- Post-painted (black) coil fins
- Coated, weather-resistant cabinet screws
- Coated inlet grille with 3/8" (10mm) spacing for extra protection

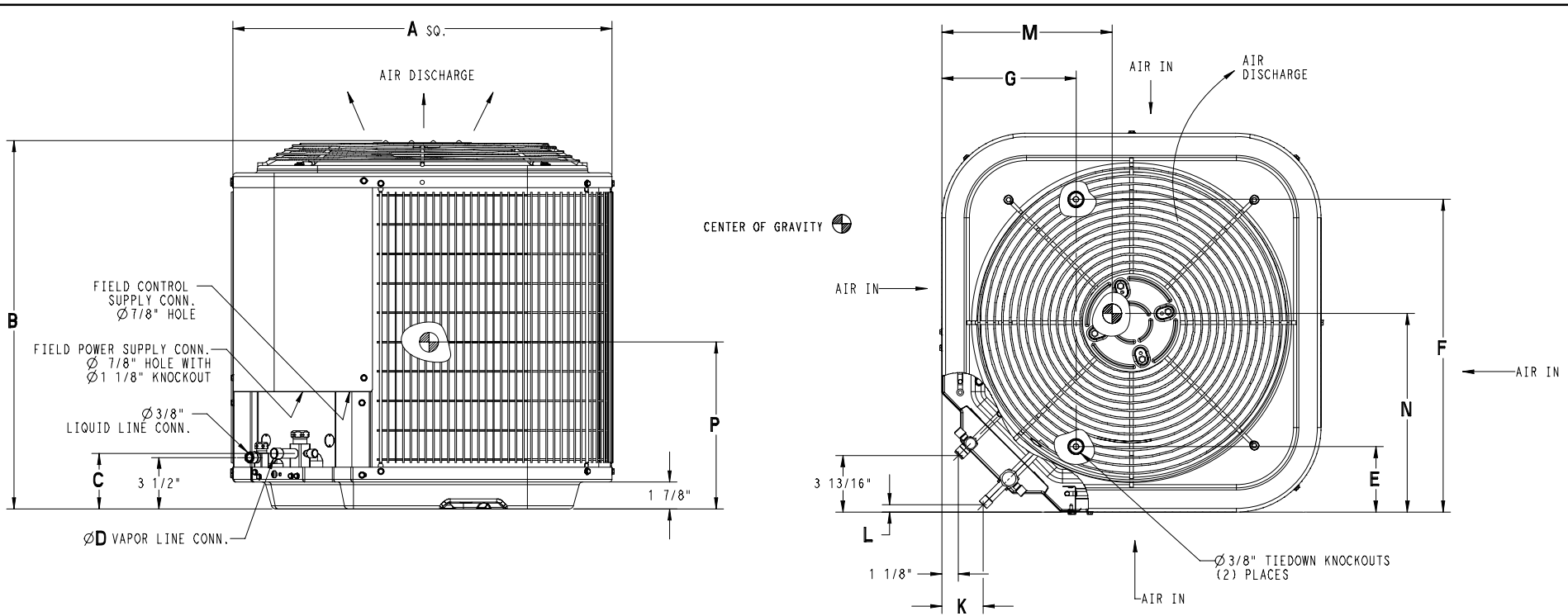
WARRANTY

- 5 year compressor limited warranty
- 1 year parts limited warranty



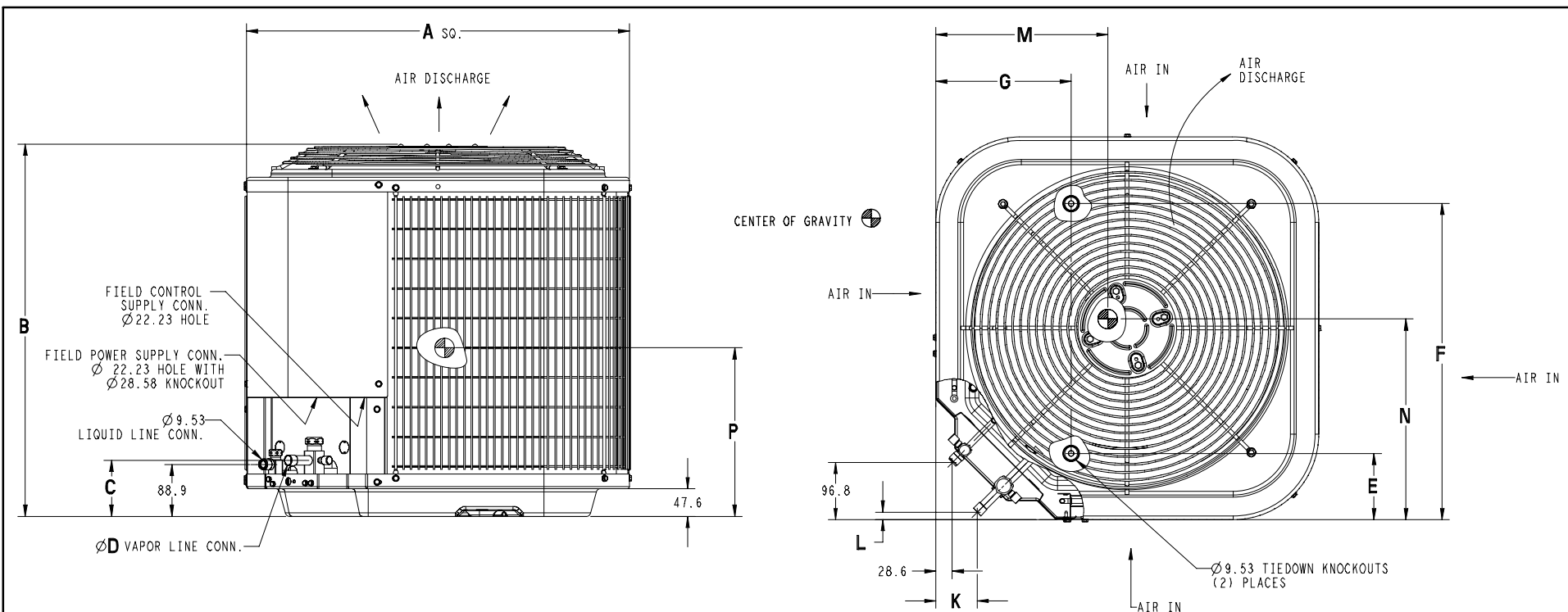
Rated in accordance with ARI Standard 210/240. Certification applies only when used with proper components as listed with ARI.

| Model Number | Voltage | Size (tons) | Nominal Btu/hr | Min. Circuit Ampacity | Max. Fuse or Breaker | Operating Dimensions height x width x depth in. (mm) | Ship / Operating Weight lbs. (kg) |
|--------------|---------|-------------|----------------|-----------------------|----------------------|--|-----------------------------------|
| N4H330GHB | 208/230 | 2½ | 30,000 | 13.3 | 20 | 39⅞ × 31⅜ × 31⅜ (994 x 792 x 792) | 215 / 186 (98 / 84) |
| N4H336GHB | 208/230 | 3 | 36,000 | 15.5 | 25 | 28⅜ × 35 × 35 (735 x 889 x 889) | 207 / 172 (94 / 78) |
| N4H336GLB | 460 | | | 8.0 | 15 | | |
| N4H342GHA | 208/230 | 3½ | 42,000 | 18.1 | 30 | 39⅞ × 35 × 35 (994 x 889 x 889) | 278 / 246 (126 / 112) |
| N4H342GLA | 460 | | | 9.4 | 15 | | |
| N4H348GHB | 208/230 | 4 | 48,000 | 18.6 | 30 | 28⅜ × 35 × 35 (735 x 889 x 889) | 273 / 240 (124 / 109) |
| N4H348GLB | 460 | | | 8.4 | 15 | | |
| N4H360GHB | 208/230 | 5 | 60,000 | 21.1 | 30 | 28⅜ × 35 × 35 (735 x 889 x 889) | 282 / 250 (128 / 113) |
| N4H360GLB | 460 | | | 10.4 | 15 | | |



| Model | Dimensions Inches (English) | | | | | | | | | | | | Minimum Mounting Pad Size | Crated Dimensions B(h) x A(w) x R(d) |
|------------------------|---------------------------------|----------------------------------|-------------------------------|-------------------------------|--------------------------------|---------------------------------|-------------------------------|---------------------------------|-------------------------------|--------------------------------|--------------------------------|--------------------------------|---|--|
| | A | B | C | D | E | F | G | K | L | M | N | P | | |
| N4H330GHB | 31 ³ / ₁₆ | 39 ¹ / ₈ | 3 ³ / ₄ | 3 ¹ / ₄ | 6 ⁹ / ₁₆ | 21 ¹ / ₄ | 9 ¹ / ₈ | 2 ¹³ / ₁₆ | 1/2 | 16 ¹ / ₂ | 15 ¹ / ₂ | 17 | 31 ¹ / ₂ x 31 ¹ / ₂ | 42 ³ / ₄ x 35 ¹ / ₂ x 32 ³ / ₈ |
| N4H336GHB N4H336GLB | 35 | 28 ¹⁵ / ₁₆ | 3 ³ / ₄ | 3 ¹ / ₄ | 6 ⁹ / ₁₆ | 28 ⁷ / ₁₆ | 9 ¹ / ₈ | 2 ¹³ / ₁₆ | 1/2 | 15 ¹ / ₂ | 15 ³ / ₄ | 12 ¹ / ₂ | 35 x 35 | 32 ⁹ / ₁₆ x 39 ⁵ / ₁₆ x 36 ¹ / ₈ |
| N4H342GHA N4H342GLA | 35 | 39 ¹ / ₈ | 3 ⁷ / ₈ | 7 ⁷ / ₈ | 6 ⁹ / ₁₆ | 28 ⁷ / ₁₆ | 9 ¹ / ₈ | 2 ¹⁵ / ₁₆ | 5 ⁵ / ₈ | 17 ¹ / ₄ | 19 ¹ / ₈ | 15 ³ / ₄ | 35 x 35 | 42 ³ / ₄ x 39 ⁵ / ₁₆ x 36 ¹ / ₈ |
| N4H348GHB N4H348GLB | 35 | 28 ¹⁵ / ₁₆ | 3 ⁷ / ₈ | 7 ⁷ / ₈ | 6 ⁹ / ₁₆ | 28 ⁷ / ₁₆ | 9 ¹ / ₈ | 2 ¹⁵ / ₁₆ | 5 ⁵ / ₈ | 17 | 16 | 12 | 35 x 35 | 32 ⁹ / ₁₆ x 39 ⁵ / ₁₆ x 36 ¹ / ₈ |
| N4H360GHB N4H360GLB | 35 | 28 ¹⁵ / ₁₆ | 3 ⁷ / ₈ | 7 ⁷ / ₈ | 6 ⁹ / ₁₆ | 28 ⁷ / ₁₆ | 9 ¹ / ₈ | 2 ¹⁵ / ₁₆ | 5 ⁵ / ₈ | 17 | 16 | 12 | 35 x 35 | 32 ⁹ / ₁₆ x 39 ⁵ / ₁₆ x 36 ¹ / ₈ |

Specifications subject to change without notice.



| Model | Dimensions mm (SI Metric) | | | | | | | | | | | | Minimum Mounting Pad Size | Crated Dimensions B(h) x A(w) x R(d) |
|------------------------|---------------------------|-----|----|----|-----|-----|-----|----|----|-----|-----|-----|---------------------------|--------------------------------------|
| | A | B | C | D | E | F | G | K | L | M | N | P | | |
| N4H330GHB | 792 | 994 | 95 | 19 | 167 | 540 | 232 | 71 | 13 | 419 | 394 | 432 | 800 x 800 | 1086 x 902 x 822 |
| N4H336GHB N4H336GLB | 889 | 735 | 95 | 19 | 167 | 722 | 232 | 71 | 13 | 394 | 400 | 318 | 889 x 889 | 827 x 999 x 918 |
| N4H342GHA N4H342GLA | 889 | 994 | 98 | 22 | 167 | 722 | 232 | 75 | 16 | 438 | 486 | 400 | 889 x 889 | 1086 x 999 x 918 |
| N4H348GHB N4H348GLB | 889 | 735 | 98 | 22 | 167 | 722 | 232 | 75 | 16 | 432 | 406 | 305 | 889 x 889 | 827 x 999 x 918 |
| N4H360GHB N4H360GLB | 889 | 735 | 98 | 22 | 167 | 722 | 232 | 75 | 16 | 432 | 406 | 305 | 889 x 889 | 827 x 999 x 918 |

| PHYSICAL DATA | | | | | | |
|--|---|----------------------|----------------------|----------------------|----------------------|----------------------|
| Model Size | 30 | 36 | 42 | 48 | 60 | |
| Nominal Cooling Capacity (BTU/hr) | 30,000 | 36,000 | 42,000 | 48,000 | 60,000 | |
| Nominal SEER | 13.0 | 13.0 | 13.0 | 13.0 | 13.0 | |
| Sound Rating (dBA)** | 76 | 72 | 77 | 78 | 77 | |
| PSC Fan Motor HP | 1/10 | 1/8 | 1/5 | 1/4 | 1/4 | |
| Fan RPM | 1100 | 800 | 800 | 800 | 800 | |
| Fan CFM | 2600 | 3300 | 3800 | 4000 | 4000 | |
| Coil Face Area ft ² (m ²) | 21.60 (2.01) | 17.60 (1.64) | 25.10 (2.33) | 17.60 (1.64) | 17.60 (1.64) | |
| Coil Rows – fins per inch | 1–20 | 1–20 | 1–20 | 2–20 | 2–20 | |
| Low Pressure Switch | Open Pressure (psig) Close Pressure (psig) | 23 ± 5 55 ± 5 | 23 ± 5 55 ± 5 | 23 ± 5 55 ± 5 | 23 ± 5 55 ± 5 | 23 ± 5 55 ± 5 |
| High Pressure Switch | Open Pressure (psig) Close Pressure (psig) | 670 ± 10 470 ± 25 | 670 ± 10 470 ± 25 | 670 ± 10 470 ± 25 | 670 ± 10 470 ± 25 | 670 ± 10 470 ± 25 |
| Liquid Line Connection Size in. (mm) | 3/8 (10) | 3/8 (10) | 3/8 (10) | 3/8 (10) | 3/8 (10) | |
| Vapor Line Connection Size in. (mm) | 3/4 (19) | 3/4 (19) | 7/8 (22) | 7/8 (22) | 7/8 (22) | |
| Recommended Line Set Liquid Tube Diameter in. (mm) | 3/8 (10) | 3/8 (10) | 3/8 (10) | 3/8 (10) | 3/8 (10) | |
| Recommended Line Set Vapor Tube Diameter in. (mm)* | 3/4 (19)* | 3/4 (19)* | 7/8 (22)* | 7/8 (22)* | 1 1/8 (29)* | |
| *Recommended Vapor Tube Line size is for standard installations. These recommendations may not apply to “Long Line” installations. When the total equivalent line length exceeds 80 feet (24.4m) or there is more than 20 feet (6.1m) vertical separation between indoor and outdoor units, consult the Long Line Application Guideline document before purchasing/installing line sets. | | | | | | |
| Factory Charge R-410A lbs. (kg) | 7.50 (3.40) | 6.50 (2.95) | 8.40 (3.81) | 11.40 (5.17) | 11.00 (4.99) | |
| Required Subcooling °F (°C) | 12 (7) | 9 (5) | 11 (6) | 11 (6) | 12 (7) | |
| Weight, shipping lbs. (kg) | 215 (98) | 207 (94) | 278 (126) | 273 (124) | 282 (128) | |
| Weight, operating lbs. (kg) | 186 (84) | 172 (78) | 246 (112) | 240 (109) | 250 (113) | |
| Weight, shipping (lbs.) | 275 | 275 | 285 | 303 | 325 | |
| Weight, operating (lbs.) | 248 | 248 | 257 | 273 | 292 | |

| ELECTRICAL DATA | | | | | | | | | |
|---|--------------|---------------|--------------|---------------|--------------|----------------|--------------|----------------|--------------|
| Model Size | 30GH | 36GH | 36GL | 42GH | 42GL | 48GH | 48GL | 60GH | 60GL |
| Supply Voltage, 3-phase 60 Hz. | 208/230 | 208/230 | 460 | 208/230 | 460 | 208/230 | 460 | 208/230 | 460 |
| Acceptable Voltage Range, min-max | 197-253 | 197-253 | 414-506 | 197-253 | 414-506 | 197-253 | 414-506 | 197-253 | 414-506 |
| Minimum Circuit Ampacity – MCA (amps) | 13.3 | 15.5 | 8.0 | 18.1 | 9.4 | 18.6 | 8.4 | 21.1 | 10.4 |
| Maximum OverCurrent Protective device – MOCP (amps) | 20 | 25 | 15 | 30 | 15 | 30 | 15 | 30 | 15 |
| Compressor RLA (Rated Load Amps) LRA (Locked Rotor Amps) | 10.0 71.0 | 11.70 88.0 | 5.80 38.0 | 13.50 88.0 | 7.10 46.0 | 13.90 83.10 | 6.20 41.0 | 15.90 110.0 | 7.80 52.0 |
| Fan Motor FLA (Full Load Amps) | 0.8 | 0.9 | 0.9 | 1.2 | 1.2 | 1.2 | 1.2 | 1.2 | 1.2 |

**Sound Rating tested in accordance with ARI Standard 270-95 (not listed with ARI).

R-410A COOLING CAPACITY LOSS FOR VARIOUS LINE LENGTHS & TUBE DIAMETERS

| Model Size | Liquid Line in.(mm) | Acceptable Vapor Line Sizes in. (mm) | Cooling Capacity Loss (%) at Total Equivalent Line Length, feet (m) Refer to Long Line Application Guideline to calculate equivalent length | | | | | | | | | | |
|------------|---------------------|--------------------------------------|--|---------------|---------------|--|----------------|----------------|----------------|----------------|--------------|----------------|----------------|
| | | | Standard Application | | | Long Line Application (Requires Accessories) | | | | | | | |
| | | | 25' (7.6) | 50' (15.2) | 80' (24.4) | 81' (24.7) | 100' (30.5) | 125' (38.1) | 150' (45.7) | 175' (53.3) | 200' (61) | 225' (68.6) | 250' (76.2) |
| 30 | 3/8 (10) | 5/8 (16) | 1 | 2 | 3 | 3 | 3 | 4 | 5 | 6 | 7 | 8 | 9 |
| | | 3/4 (19) | 0 | 0 | 1 | 1 | 1 | 1 | 2 | 2 | 2 | 3 | 3 |
| | | 7/8 (22) | 0 | 0 | 0 | 0 | 0 | 1 | 1 | 1 | 1 | 1 | 1 |
| 36 | | 5/8 (16) | 1 | 2 | 4 | 4 | 5 | 6 | 7 | 9 | 10 | 11 | 13 |
| | | 3/4 (19) | 0 | 0 | 1 | 1 | 1 | 2 | 2 | 3 | 3 | 4 | 4 |
| | | 7/8 (22) | 0 | 0 | 0 | 0 | 0 | 1 | 1 | 1 | 1 | 2 | 2 |
| 42 | | 3/4 (19) | 0 | 1 | 2 | 2 | 2 | 3 | 4 | 4 | 5 | 6 | 6 |
| | | 7/8 (22) | 0 | 0 | 1 | 1 | 1 | 1 | 2 | 2 | 2 | 3 | 3 |
| 48 | | 3/4 (19) | 0 | 1 | 2 | 2 | 3 | 4 | 5 | 5 | 6 | 7 | 8 |
| | | 7/8 (22) | 0 | 0 | 1 | 1 | 1 | 2 | 2 | 2 | 3 | 3 | 4 |
| 60/61 | 3/4 (19) | 1 | 2 | 4 | 4 | 5 | 6 | 7 | 9 | 10 | 11 | 12 | |
| | 7/8 (22) | 0 | 1 | 2 | 2 | 2 | 3 | 4 | 4 | 5 | 5 | 6 | |
| | 1 1/8 (29) | 0 | 0 | 0 | 0 | 1 | 1 | 1 | 1 | 1 | 1 | 2 | |

* Applications are considered "Long Line" if the total equivalent tubing length exceeds 80 feet (24.4m) or there is more than 20 foot (6.1m) vertical separation between indoor and outdoor units. These applications require additional accessories and system modifications for reliable system operation.

Applications in shaded area may have height restrictions that limit allowable total equivalent length when outdoor unit is below indoor unit.

| ACCESSORY USAGE GUIDELINES | | | |
|-------------------------------|---|---|--|
| Accessory | REQUIRED FOR APPLICATIONS IN SNOW-BELT REGION | REQUIRED FOR LOW-AMBIENT APPLICATIONS {Below 55°F (13°C)} | REQUIRED FOR LONG-LINE APPLICATIONS* {Over 80 Ft. (24.4m)} |
| Evaporator Freeze Thermostat | No | Yes | No |
| Accumulator | Standard (factory installed) | Standard (factory installed) | Standard (factory installed) |
| Support Feet, 4" (102mm) tall | Yes | Recommended | No |
| Liquid Line Solenoid Valve | No | No | See Long-Line Application Guideline |

* For Line Set lengths between 80 and 200 ft (24.4 and 61m) horizontal. or more than 20 ft (6.1m) indoor-outdoor vertical separation, refer to the Long Line Application Guideline document.

| ACCESSORIES | | |
|-------------|--|--------------------|
| Part Number | Description | Used On Model Size |
| NASA001FS | Evaporator Freeze Thermostat | ALL |
| NASA001LS | Liquid Line Solenoid Valve, HP, R-22 or R-410A | ALL |
| NASA001TD | Time Delay Relay, Indoor Blower | ALL |
| NASA001AC | Anti-Cycle Timer (5 minute delay) | ALL |
| NASA001SF | Support Feet, 4" (102mm) tall | ALL |
| NASA00106SS | Snow Stand Kit | ALL |
| AXWR01DFC | Fossil Fuel Kit | ALL |
| NASA401LA | Low Ambient Pressure Switch | ALL |
| NASA005SC | Hard Start Kit (Capacitor & Relay) | ALL |
| NASA001SC | Start Component – PTC Device | ALL |
| NASA001SJ | Sound Jacket, Compressor | 30, 36, 42, 48 |
| NASA003SJ | Sound Jacket, Compressor | 60 |
| EBAC05TXVX | TXV Kit, R-410A * | 30 |
| EBAC06TXVX | TXV Kit, R-410A * | 36, 42 |
| EBAC07TXVX | TXV Kit, R-410A * | 48, 60 |

* ONLY converts Fan Coils equipped with factory installed R-22 TXV.

COOLING & HEATING PERFORMANCE FOR COMBINATION RATINGS
Indoor Models

| Outdoor Model | Current Indoor Model (‡ tested combo) | Furnace Model | Factory Installed | Cool 95° F (35° C) | | | SEER | | Heat 47° F (8.3° C) | | Heat 17° F (-8.3° F) | | HSPF |
|---------------|--|---------------|-------------------|--------------------|-------|-------|---------|----------------|---------------------|--------|----------------------|------|------|
| | | | | BTU/hr | S / T | EER | Factory | With Field TDR | BTU/hr | COP | BTU/hr | COP | |
| N4H330GHB | ‡FS(M,U)4X30**** | † | TDR&TXV | 30,000 | 0.74 | 10.80 | 13.00 | | 30,000 | 3.46 | 18,700 | 2.38 | 8.0 |
| | ED*4X30B** | *8MPV050 | TDR&TXV | 30,000 | 0.74 | 11.00 | 13.20 | | 30,000 | 3.46 | 18,500 | 2.40 | 8.0 |
| | ED*4X30B** | MV08B15**B* | TDR&TXV | 30,000 | 0.74 | 11.70 | 14.00 | | 30,000 | 3.52 | 17,900 | 2.46 | 8.0 |
| | ED*4X30B** | † | TXV | 30,000 | 0.74 | 10.80 | | 13.00 | 30,000 | 3.46 | 18,800 | 2.38 | 8.0 |
| | ED*4X30F** | *8MPV075 | TDR&TXV | 30,000 | 0.74 | 11.50 | 14.00 | | 30,000 | 3.56 | 18,200 | 2.46 | 8.2 |
| | ED*4X30F** | *9MPV050 | TDR&TXV | 30,000 | 0.74 | 11.00 | 13.50 | | 30,000 | 3.46 | 18,200 | 2.40 | 8.0 |
| | ED*4X30F** | *9MPV075 | TDR&TXV | 30,000 | 0.74 | 11.20 | 13.50 | | 30,000 | 3.48 | 18,300 | 2.42 | 8.0 |
| | ED*4X30F** | *9MVX040 | TDR&TXV | 30,000 | 0.74 | 11.20 | 13.50 | | 30,000 | 3.46 | 18,200 | 2.42 | 8.0 |
| | ED*4X30F** | *9MVX060 | TDR&TXV | 30,000 | 0.74 | 11.20 | 13.50 | | 30,000 | 3.52 | 18,300 | 2.44 | 8.1 |
| | ED*4X30F** | MV12F19**B* | TDR&TXV | 30,000 | 0.74 | 11.70 | 14.00 | | 29,800 | 3.56 | 17,800 | 2.50 | 8.2 |
| | ED*4X30F** | † | TXV | 30,000 | 0.74 | 10.80 | | 13.00 | 30,000 | 3.46 | 18,800 | 2.38 | 8.0 |
| | ED*4X36B** | *8MPV050 | TDR&TXV | 30,000 | 0.74 | 11.00 | 13.20 | | 30,000 | 3.50 | 18,600 | 2.40 | 8.0 |
| | ED*4X36B** | MV08B15**B* | TDR&TXV | 30,000 | 0.74 | 11.70 | 14.00 | | 30,000 | 3.56 | 17,900 | 2.48 | 8.2 |
| | ED*4X36B** | † | TXV | 30,000 | 0.74 | 10.80 | | 13.00 | 30,000 | 3.50 | 18,800 | 2.40 | 8.0 |
| | ED*4X36F** | *8MPV075 | TDR&TXV | 30,000 | 0.74 | 11.50 | 14.00 | | 30,000 | 3.60 | 18,200 | 2.48 | 8.2 |
| | ED*4X36F** | *9MPV050 | TDR&TXV | 30,000 | 0.74 | 11.20 | 13.50 | | 30,000 | 3.48 | 18,300 | 2.42 | 8.0 |
| | ED*4X36F** | *9MPV075 | TDR&TXV | 30,000 | 0.74 | 11.20 | 13.50 | | 30,000 | 3.52 | 18,300 | 2.44 | 8.0 |
| | ED*4X36F** | *9MVX040 | TDR&TXV | 30,000 | 0.74 | 11.20 | 13.50 | | 30,000 | 3.50 | 18,300 | 2.42 | 8.1 |
| | ED*4X36F** | *9MVX060 | TDR&TXV | 30,000 | 0.74 | 11.20 | 13.50 | | 30,000 | 3.56 | 18,300 | 2.46 | 8.2 |
| | ED*4X36F** | MV12F19**B* | TDR&TXV | 30,000 | 0.74 | 11.70 | 14.00 | | 29,800 | 3.58 | 17,800 | 2.50 | 8.2 |
| | ED*4X36F** | † | TXV | 30,000 | 0.74 | 10.80 | | 13.00 | 30,000 | 3.50 | 18,800 | 2.40 | 8.0 |
| | ED*4X36J** | *8MPV100 | TDR&TXV | 30,000 | 0.74 | 11.50 | 14.00 | | 30,000 | 3.68 | 18,100 | 2.54 | 8.2 |
| | ED*4X36J** | *8MPV125 | TDR&TXV | 30,000 | 0.74 | 12.00 | 14.00 | | 30,000 | 3.70 | 18,100 | 2.54 | 8.2 |
| | ED*4X36J** | *9MPV100 | TDR&TXV | 30,000 | 0.74 | 11.50 | 14.00 | | 30,000 | 3.66 | 18,200 | 2.52 | 8.2 |
| | ED*4X36J** | *9MVX080 | TDR&TXV | 30,000 | 0.74 | 11.50 | 14.00 | | 30,000 | 3.68 | 18,300 | 2.52 | 8.4 |
| | ED*4X36J** | † | TXV | 30,000 | 0.74 | 10.80 | | 13.00 | 30,000 | 3.50 | 18,800 | 2.40 | 8.0 |
| EHD4X30A** | *8MPV050 | TDR&TXV | 30,000 | 0.74 | 11.00 | 13.20 | | 30,000 | 3.50 | 18,600 | 2.40 | 8.0 | |

ENERGY STAR (Light Commercial) compliance for combinations with both: SEER 13.00 or higher and HSPF 7.7 or higher.

† For coils not listed with a matching furnace or blower, coil rating applies with any indoor blower device.

For complete ratings information, use the AHRI website directory search: www.AHRIdirectory.org. (Occasionally, new ratings will be listed online before Specification Sheets are updated.)

- continued on next page -

COOLING & HEATING PERFORMANCE FOR COMBINATION RATINGS (continued)

Indoor Models

| Outdoor Model | Current Indoor Model (‡ tested combo) | Furnace Model | Factory Installed | Cool 95° F (35° C) | | | SEER | | Heat 47° F (8.3° C) | | Heat 17° F (-8.3° F) | | HSPF | |
|--------------------------|--|---------------|-------------------|--------------------|-------|-------|---------|----------------|---------------------|--------|----------------------|--------|------|-----|
| | | | | BTU/hr | S / T | EER | Factory | With Field TDR | BTU/hr | COP | BTU/hr | COP | | |
| N4H330GHB (continued) | EHD4X30A** | *8MPV075 | TDR&TXV | 30,000 | 0.74 | 11.50 | 14.00 | | 30,000 | 3.54 | 18,200 | 2.46 | 8.0 | |
| | EHD4X30A** | *8MPV100 | TDR&TXV | 30,000 | 0.74 | 11.50 | 14.00 | | 30,000 | 3.56 | 18,100 | 2.48 | 8.2 | |
| | EHD4X30A** | *8MPV125 | TDR&TXV | 30,000 | 0.74 | 11.50 | 14.00 | | 30,000 | 3.56 | 18,000 | 2.48 | 8.2 | |
| | EHD4X30A** | *9MPV050 | TDR&TXV | 30,000 | 0.74 | 11.20 | 13.50 | | 30,000 | 3.44 | 18,200 | 2.40 | 7.7 | |
| | EHD4X30A** | *9MPV075 | TDR&TXV | 30,000 | 0.74 | 11.20 | 13.50 | | 30,000 | 3.46 | 18,300 | 2.40 | 8.0 | |
| | EHD4X30A** | *9MPV100 | TDR&TXV | 30,000 | 0.74 | 11.50 | 14.00 | | 30,000 | 3.52 | 18,100 | 2.44 | 8.0 | |
| | EHD4X30A** | *9MPV125 | TDR&TXV | 30,000 | 0.74 | 11.50 | 14.00 | | 30,000 | 3.52 | 18,100 | 2.46 | 8.0 | |
| | EHD4X30A** | *9MVX040 | TDR&TXV | 30,000 | 0.74 | 11.20 | 13.50 | | 30,000 | 3.44 | 18,200 | 2.40 | 8.0 | |
| | EHD4X30A** | *9MVX060 | TDR&TXV | 30,000 | 0.74 | 11.20 | 13.50 | | 30,000 | 3.50 | 18,300 | 2.42 | 8.1 | |
| | EHD4X30A** | *9MVX080 | TDR&TXV | 30,000 | 0.74 | 11.50 | 14.00 | | 30,000 | 3.58 | 18,200 | 2.48 | 8.3 | |
| | EHD4X30A** | *9MVX100 | TDR&TXV | 30,000 | 0.74 | 11.50 | 14.00 | | 30,000 | 3.52 | 18,000 | 2.46 | 8.1 | |
| | EHD4X30A** | MV08B15**B* | TDR&TXV | 30,000 | 0.74 | 11.70 | 14.00 | | 30,000 | 3.56 | 18,000 | 2.48 | 8.2 | |
| | EHD4X30A** | MV12F19**B* | TDR&TXV | 30,000 | 0.74 | 11.70 | 14.00 | | 30,000 | 3.58 | 17,900 | 2.50 | 8.2 | |
| | EHD4X30A** | † | TXV | 30,000 | 0.74 | 10.80 | | | 13.00 | 30,000 | 3.50 | 18,800 | 2.40 | 8.0 |
| | EHD4X36A** | *8MPV050 | TDR&TXV | 30,000 | 0.74 | 11.20 | 13.50 | | | 30,000 | 3.68 | 18,700 | 2.48 | 8.2 |
| | EHD4X36A** | *8MPV075 | TDR&TXV | 30,000 | 0.74 | 11.50 | 14.00 | | | 30,000 | 3.74 | 18,300 | 2.52 | 8.2 |
| | EHD4X36A** | *8MPV100 | TDR&TXV | 30,000 | 0.74 | 12.00 | 14.00 | | | 30,000 | 3.78 | 18,200 | 2.56 | 8.5 |
| | EHD4X36A** | *8MPV125 | TDR&TXV | 30,000 | 0.74 | 12.00 | 14.00 | | | 30,000 | 3.78 | 18,200 | 2.56 | 8.5 |
| | EHD4X36A** | *9MPV050 | TDR&TXV | 30,000 | 0.74 | 11.50 | 14.00 | | | 30,000 | 3.62 | 18,400 | 2.48 | 8.2 |
| | EHD4X36A** | *9MPV075 | TDR&TXV | 30,000 | 0.74 | 11.50 | 14.00 | | | 30,000 | 3.64 | 18,400 | 2.48 | 8.2 |
| | EHD4X36A** | *9MPV100 | TDR&TXV | 30,000 | 0.74 | 11.50 | 14.00 | | | 30,000 | 3.76 | 18,300 | 2.54 | 8.5 |
| | EHD4X36A** | *9MPV125 | TDR&TXV | 30,000 | 0.74 | 12.00 | 14.00 | | | 30,000 | 3.76 | 18,200 | 2.54 | 8.5 |
| | EHD4X36A** | *9MVX040 | TDR&TXV | 30,000 | 0.74 | 11.20 | 13.50 | | | 30,000 | 3.62 | 18,400 | 2.46 | 8.3 |
| | EHD4X36A** | *9MVX060 | TDR&TXV | 30,000 | 0.74 | 11.50 | 14.00 | | | 30,000 | 3.70 | 18,400 | 2.50 | 8.4 |
| | EHD4X36A** | *9MVX080 | TDR&TXV | 30,000 | 0.74 | 11.70 | 14.50 | | | 30,000 | 3.80 | 18,400 | 2.56 | 8.5 |
| | EHD4X36A** | *9MVX100 | TDR&TXV | 30,000 | 0.74 | 11.70 | 14.50 | | | 30,000 | 3.72 | 18,200 | 2.54 | 8.5 |
| | EHD4X36A** | MV08B15**B* | TDR&TXV | 30,000 | 0.74 | 12.00 | 14.00 | | | 30,000 | 3.70 | 18,000 | 2.54 | 8.5 |
| | EHD4X36A** | MV12F19**B* | TDR&TXV | 30,000 | 0.74 | 12.00 | 14.00 | | | 30,000 | 3.72 | 17,900 | 2.56 | 8.5 |
| | EHD4X36A** | † | TXV | 30,000 | 0.74 | 11.00 | | | 13.20 | 30,000 | 3.64 | 18,900 | 2.44 | 8.2 |
| | EMA4X36D** | † | TXV | 30,000 | 0.74 | 10.80 | | | 13.00 | 30,000 | 3.48 | 18,800 | 2.38 | 8.0 |
| FEM4X30**** | † | TDR&TXV | 30,000 | 0.74 | 11.50 | 14.00 | | | 30,000 | 3.60 | 18,300 | 2.46 | 8.2 | |
| FEM4X36**** | † | TDR&TXV | 30,000 | 0.74 | 11.50 | 14.00 | | | 30,000 | 3.72 | 18,500 | 2.50 | 8.5 | |

ENERGY STAR (Light Commercial) compliance for combinations with both: SEER 13.00 or higher and HSPF 7.7 or higher.

† For coils not listed with a matching furnace or blower, coil rating applies with any indoor blower device.

For complete ratings information, use the AHRI website directory search: www.AHRIdirectory.org. (Occasionally, new ratings will be listed online before Specification Sheets are updated.)

- continued on next page -

COOLING & HEATING PERFORMANCE FOR COMBINATION RATINGS (continued)
Indoor Models

| Outdoor Model | Current Indoor Model (‡ tested combo) | Furnace Model | Factory Installed | Cool 95° F (35° C) | | | SEER | | Heat 47° F (8.3° C) | | Heat 17° F (-8.3° F) | | HSPF |
|--------------------------|--|---------------|-------------------|--------------------|-------|-------|---------|----------------|---------------------|--------|----------------------|------|------|
| | | | | BTU/hr | S / T | EER | Factory | With Field TDR | BTU/hr | COP | BTU/hr | COP | |
| N4H330GHB (continued) | FSA4X30**A* | † | TDR&TXV | 29,800 | 0.74 | 10.50 | 13.00 | | 30,000 | 3.40 | 18,600 | 2.36 | 7.7 |
| | FSA4X36**A* | † | TDR&TXV | 30,000 | 0.74 | 10.50 | 13.00 | | 30,000 | 3.48 | 18,700 | 2.38 | 7.8 |
| | FSM4X36**** | † | TDR&TXV | 30,000 | 0.74 | 11.00 | 13.20 | | 30,000 | 3.60 | 18,900 | 2.42 | 8.2 |
| | FSU4X36**** | † | TDR&TXV | 30,000 | 0.74 | 10.70 | 13.00 | | 30,000 | 3.48 | 18,800 | 2.38 | 8.0 |
| | FVM4X24**** | † | TDR&TXV | 30,000 | 0.74 | 11.50 | 14.00 | | 30,000 | 3.56 | 18,000 | 2.48 | 8.2 |
| | FVM4X36**** | † | TDR&TXV | 30,000 | 0.74 | 12.00 | 14.00 | | 29,800 | 3.56 | 17,800 | 2.48 | 8.2 |
| N4H336GHB N4H336GLB | ‡FSU4X36**** | † | TDR&TXV | 33,800 | 0.76 | 10.60 | 13.00 | | 35,400 | 3.54 | 22,200 | 2.48 | 7.8 |
| | ED*4X36B** | *8MPV050 | TDR&TXV | 33,000 | 0.76 | 10.80 | 13.00 | | 34,800 | 3.46 | 21,600 | 2.48 | 7.7 |
| | ED*4X36B** | MV08B15**B* | TDR&TXV | 33,800 | 0.76 | 11.20 | 13.50 | | 34,400 | 3.66 | 21,200 | 2.60 | 8.0 |
| | ED*4X36B** | † | TXV | 33,400 | 0.76 | 10.80 | | 13.00 | 35,000 | 3.50 | 21,800 | 2.48 | 7.7 |
| | ED*4X36F** | *8MPV075 | TDR&TXV | 33,800 | 0.76 | 11.20 | 13.50 | | 34,600 | 3.62 | 21,400 | 2.56 | 7.9 |
| | ED*4X36F** | *9MPV050 | TDR&TXV | 33,400 | 0.76 | 10.80 | 13.20 | | 35,000 | 3.52 | 21,600 | 2.50 | 7.7 |
| | ED*4X36F** | *9MPV075 | TDR&TXV | 33,400 | 0.76 | 11.00 | 13.50 | | 34,800 | 3.56 | 21,600 | 2.52 | 7.8 |
| | ED*4X36F** | *9MVX040 | TDR&TXV | 33,400 | 0.76 | 10.80 | 13.20 | | 34,800 | 3.52 | 21,600 | 2.48 | 7.7 |
| | ED*4X36F** | *9MVX060 | TDR&TXV | 33,600 | 0.76 | 11.00 | 13.50 | | 34,800 | 3.58 | 21,600 | 2.54 | 7.8 |
| | ED*4X36F** | MV12F19**B* | TDR&TXV | 34,000 | 0.76 | 11.50 | 14.00 | | 34,200 | 3.70 | 21,000 | 2.62 | 8.1 |
| | ED*4X36F** | † | TXV | 33,600 | 0.76 | 10.70 | | 13.00 | 35,200 | 3.54 | 22,000 | 2.50 | 7.8 |
| | ED*4X36J** | *8MPV100 | TDR&TXV | 34,200 | 0.76 | 11.50 | 14.00 | | 34,600 | 3.74 | 21,400 | 2.64 | 8.2 |
| | ED*4X36J** | *8MPV125 | TDR&TXV | 34,200 | 0.76 | 11.50 | 14.00 | | 34,400 | 3.74 | 21,400 | 2.64 | 8.2 |
| | ED*4X36J** | *9MPV100 | TDR&TXV | 34,000 | 0.76 | 11.50 | 14.00 | | 34,600 | 3.70 | 21,600 | 2.60 | 8.1 |
| | ED*4X36J** | *9MVX080 | TDR&TXV | 34,200 | 0.76 | 11.20 | 13.50 | | 34,600 | 3.70 | 21,600 | 2.62 | 8.1 |
| | ED*4X36J** | MV16J22**B* | TDR&TXV | 34,000 | 0.76 | 12.00 | 14.50 | | 34,200 | 3.72 | 21,000 | 2.64 | 8.1 |
| | ED*4X36J** | † | TXV | 33,600 | 0.76 | 10.70 | | 13.00 | 35,200 | 3.54 | 22,000 | 2.50 | 7.8 |
| | ED*4X42F** | *8MPV075 | TDR&TXV | 34,000 | 0.76 | 11.50 | 14.00 | | 34,400 | 3.66 | 21,600 | 2.60 | 8.1 |
| | ED*4X42F** | *9MPV050 | TDR&TXV | 33,600 | 0.76 | 11.00 | 13.20 | | 34,800 | 3.56 | 21,800 | 2.52 | 7.8 |
| | ED*4X42F** | *9MPV075 | TDR&TXV | 33,800 | 0.76 | 11.20 | 13.50 | | 34,600 | 3.60 | 21,600 | 2.54 | 7.9 |
| ED*4X42F** | *9MVX040 | TDR&TXV | 33,600 | 0.76 | 10.80 | 13.20 | | 34,600 | 3.56 | 21,800 | 2.52 | 7.8 | |
| ED*4X42F** | *9MVX060 | TDR&TXV | 34,000 | 0.76 | 11.00 | 13.50 | | 34,600 | 3.62 | 21,600 | 2.56 | 8.0 | |

ENERGY STAR (Light Commercial) compliance for combinations with both: SEER 13.00 or higher and HSPF 7.7 or higher.

† For coils not listed with a matching furnace or blower, coil rating applies with any indoor blower device.

For complete ratings information, use the AHRI website directory search: www.AHRIdirectory.org. (Occasionally, new ratings will be listed online before Specification Sheets are updated.)

- continued on next page -

COOLING & HEATING PERFORMANCE FOR COMBINATION RATINGS (continued)

Indoor Models

| Outdoor Model | Current Indoor Model (‡ tested combo) | Furnace Model | Factory Installed | Cool 95° F (35° C) | | | SEER | | Heat 47° F (8.3° C) | | Heat 17° F (-8.3° F) | | HSPF |
|---------------------------------------|--|---------------|-------------------|--------------------|-------|-------|---------|----------------|---------------------|--------|----------------------|------|------|
| | | | | BTU/hr | S / T | EER | Factory | With Field TDR | BTU/hr | COP | BTU/hr | COP | |
| N4H336GHB N4H336GLB (continued) | ED*4X42F** | MV12F19**B* | TDR&TXV | 34,200 | 0.76 | 11.50 | 14.00 | | 34,000 | 3.74 | 21,000 | 2.66 | 8.2 |
| | ED*4X42F** | † | TXV | 33,800 | 0.76 | 10.80 | | 13.00 | 35,000 | 3.58 | 22,200 | 2.52 | 7.9 |
| | ED*4X42J** | *8MPV100 | TDR&TXV | 34,600 | 0.76 | 11.50 | 14.00 | | 34,400 | 3.76 | 21,600 | 2.66 | 8.2 |
| | ED*4X42J** | *8MPV125 | TDR&TXV | 34,600 | 0.76 | 11.50 | 14.00 | | 34,200 | 3.78 | 21,400 | 2.66 | 8.3 |
| | ED*4X42J** | *9MPV100 | TDR&TXV | 34,400 | 0.76 | 11.50 | 14.00 | | 34,400 | 3.72 | 21,600 | 2.62 | 8.2 |
| | ED*4X42J** | *9MVX080 | TDR&TXV | 34,400 | 0.76 | 11.50 | 14.00 | | 34,400 | 3.74 | 21,600 | 2.64 | 8.2 |
| | ED*4X42J** | MV16J22**B* | TDR&TXV | 34,200 | 0.76 | 12.00 | 14.50 | | 34,000 | 3.76 | 21,000 | 2.66 | 8.2 |
| | ED*4X42J** | † | TXV | 33,800 | 0.76 | 10.80 | | 13.00 | 35,000 | 3.58 | 22,200 | 2.52 | 7.9 |
| | ED*4X42L** | *9MPV125 | TDR&TXV | 34,400 | 0.76 | 11.50 | 14.00 | | 34,400 | 3.76 | 21,400 | 2.66 | 8.2 |
| | ED*4X42L** | *9MVX100 | TDR&TXV | 34,400 | 0.76 | 11.50 | 14.00 | | 34,200 | 3.74 | 21,400 | 2.64 | 8.2 |
| | ED*4X42L** | MV20L24**B* | TDR&TXV | 34,200 | 0.76 | 12.00 | 14.50 | | 34,000 | 3.76 | 21,000 | 2.66 | 8.2 |
| | ED*4X42L** | † | TXV | 33,800 | 0.76 | 10.80 | | 13.00 | 35,000 | 3.58 | 22,200 | 2.52 | 7.9 |
| | EHD4X36A** | *8MPV050 | TDR&TXV | 34,000 | 0.76 | 11.00 | 13.20 | | 34,600 | 3.58 | 21,800 | 2.54 | 7.9 |
| | EHD4X36A** | *8MPV075 | TDR&TXV | 34,600 | 0.76 | 11.50 | 14.00 | | 34,200 | 3.72 | 21,600 | 2.62 | 8.2 |
| | EHD4X36A** | *8MPV100 | TDR&TXV | 34,800 | 0.76 | 11.50 | 14.00 | | 34,200 | 3.80 | 21,600 | 2.68 | 8.3 |
| | EHD4X36A** | *8MPV125 | TDR&TXV | 34,800 | 0.76 | 11.70 | 14.50 | | 34,000 | 3.80 | 21,400 | 2.68 | 8.3 |
| | EHD4X36A** | *9MPV050 | TDR&TXV | 34,000 | 0.76 | 11.20 | 13.50 | | 34,600 | 3.62 | 21,800 | 2.56 | 7.9 |
| | EHD4X36A** | *9MPV075 | TDR&TXV | 34,200 | 0.76 | 11.20 | 13.50 | | 34,400 | 3.64 | 21,600 | 2.58 | 8.0 |
| | EHD4X36A** | *9MPV100 | TDR&TXV | 34,800 | 0.76 | 11.50 | 14.00 | | 34,200 | 3.76 | 21,600 | 2.64 | 8.2 |
| | EHD4X36A** | *9MPV125 | TDR&TXV | 34,800 | 0.76 | 11.50 | 14.00 | | 34,200 | 3.78 | 21,600 | 2.66 | 8.3 |
| | EHD4X36A** | *9MVX040 | TDR&TXV | 34,000 | 0.76 | 11.00 | 13.50 | | 34,600 | 3.60 | 21,800 | 2.54 | 7.8 |
| | EHD4X36A** | *9MVX060 | TDR&TXV | 34,400 | 0.76 | 11.20 | 13.50 | | 34,400 | 3.68 | 21,800 | 2.60 | 8.1 |
| | EHD4X36A** | *9MVX080 | TDR&TXV | 34,800 | 0.76 | 11.50 | 14.00 | | 34,200 | 3.78 | 21,800 | 2.66 | 8.2 |
| | EHD4X36A** | *9MVX100 | TDR&TXV | 34,600 | 0.76 | 11.50 | 14.00 | | 34,200 | 3.76 | 21,400 | 2.66 | 8.2 |
| | EHD4X36A** | MV08B15**B* | TDR&TXV | 34,600 | 0.76 | 11.50 | 14.00 | | 34,000 | 3.78 | 21,200 | 2.66 | 8.2 |
| | EHD4X36A** | MV12F19**B* | TDR&TXV | 34,600 | 0.76 | 11.50 | 14.00 | | 33,800 | 3.80 | 21,200 | 2.70 | 8.3 |
| | EHD4X36A** | MV16J22**B* | TDR&TXV | 34,600 | 0.76 | 12.00 | 14.50 | | 33,800 | 3.80 | 21,200 | 2.70 | 8.3 |
| | EHD4X36A** | MV20L24**B* | TDR&TXV | 34,600 | 0.76 | 12.00 | 14.50 | | 33,800 | 3.80 | 21,200 | 2.70 | 8.3 |
| EHD4X36A** | † | TXV | 34,400 | 0.76 | 11.00 | | 13.20 | 34,600 | 3.62 | 22,200 | 2.56 | 8.0 | |

ENERGY STAR (Light Commercial) compliance for combinations with both: SEER 13.00 or higher and HSPF 7.7 or higher.

† For coils not listed with a matching furnace or blower, coil rating applies with any indoor blower device.

For complete ratings information, use the AHRI website directory search: www.AHRIdirectory.org. (Occasionally, new ratings will be listed online before Specification Sheets are updated.)

- continued on next page -

COOLING & HEATING PERFORMANCE FOR COMBINATION RATINGS (continued)
Indoor Models

| Outdoor Model | Current Indoor Model (‡ tested combo) | Furnace Model | Factory Installed | Cool 95° F (35° C) | | | SEER | | Heat 47° F (8.3° C) | | Heat 17° F (-8.3° F) | | HSPF |
|---------------------------------------|--|---------------|-------------------|--------------------|-------|-------|---------|----------------|---------------------|--------|----------------------|------|------|
| | | | | BTU/hr | S / T | EER | Factory | With Field TDR | BTU/hr | COP | BTU/hr | COP | |
| N4H336GHB N4H336GLB (continued) | EHD4X42A** | *8MPV050 | TDR&TXV | 34,200 | 0.76 | 11.20 | 13.50 | | 34,200 | 3.60 | 21,800 | 2.56 | 8.0 |
| | EHD4X42A** | *8MPV075 | TDR&TXV | 34,800 | 0.76 | 11.50 | 14.00 | | 34,000 | 3.74 | 21,600 | 2.66 | 8.2 |
| | EHD4X42A** | *8MPV100 | TDR&TXV | 35,200 | 0.76 | 11.50 | 14.00 | | 33,800 | 3.82 | 21,600 | 2.70 | 8.4 |
| | EHD4X42A** | *8MPV125 | TDR&TXV | 35,200 | 0.76 | 12.00 | 14.50 | | 33,600 | 3.84 | 21,600 | 2.72 | 8.4 |
| | EHD4X42A** | *9MPV050 | TDR&TXV | 34,400 | 0.76 | 11.20 | 13.50 | | 34,200 | 3.64 | 21,800 | 2.58 | 8.0 |
| | EHD4X42A** | *9MPV075 | TDR&TXV | 34,400 | 0.76 | 11.20 | 13.50 | | 34,000 | 3.66 | 21,800 | 2.60 | 8.1 |
| | EHD4X42A** | *9MPV100 | TDR&TXV | 35,000 | 0.76 | 11.50 | 14.00 | | 33,800 | 3.78 | 21,800 | 2.68 | 8.3 |
| | EHD4X42A** | *9MPV125 | TDR&TXV | 35,000 | 0.76 | 11.50 | 14.00 | | 33,800 | 3.80 | 21,600 | 2.70 | 8.4 |
| | EHD4X42A** | *9MVX040 | TDR&TXV | 34,400 | 0.76 | 11.00 | 13.50 | | 34,200 | 3.62 | 21,800 | 2.56 | 8.0 |
| | EHD4X42A** | *9MVX060 | TDR&TXV | 34,600 | 0.76 | 11.00 | 13.50 | | 34,000 | 3.70 | 21,800 | 2.62 | 8.1 |
| | EHD4X42A** | *9MVX080 | TDR&TXV | 35,200 | 0.76 | 11.50 | 14.00 | | 33,800 | 3.80 | 21,800 | 2.68 | 8.2 |
| | EHD4X42A** | *9MVX100 | TDR&TXV | 35,000 | 0.76 | 11.50 | 14.50 | | 33,800 | 3.78 | 21,600 | 2.68 | 8.2 |
| | EHD4X42A** | MV08B15**B* | TDR&TXV | 34,800 | 0.76 | 11.50 | 14.00 | | 33,600 | 3.80 | 21,200 | 2.68 | 8.3 |
| | EHD4X42A** | MV12F19**B* | TDR&TXV | 35,000 | 0.76 | 12.00 | 14.00 | | 33,600 | 3.82 | 21,200 | 2.72 | 8.4 |
| | EHD4X42A** | MV16J22**B* | TDR&TXV | 35,000 | 0.76 | 12.00 | 14.50 | | 33,600 | 3.84 | 21,200 | 2.72 | 8.4 |
| | EHD4X42A** | MV20L24**B* | TDR&TXV | 35,000 | 0.76 | 12.00 | 14.50 | | 33,600 | 3.82 | 21,200 | 2.72 | 8.4 |
| | EHD4X42A** | † | TXV | 34,600 | 0.76 | 11.00 | | 13.20 | 34,200 | 3.64 | 22,200 | 2.58 | 8.0 |
| | EMA4X36D** | † | TXV | 33,600 | 0.76 | 10.70 | | 13.00 | 35,400 | 3.54 | 22,000 | 2.50 | 7.8 |
| | FEM4X36**** | † | TDR&TXV | 34,800 | 0.76 | 11.50 | 14.00 | | 33,800 | 3.72 | 21,800 | 2.64 | 8.2 |
| | FEM4X42**** | † | TDR&TXV | 34,800 | 0.76 | 11.50 | 14.00 | | 33,800 | 3.70 | 21,800 | 2.64 | 8.2 |
| FS(M,U)4X42**** | † | TDR&TXV | 34,200 | 0.76 | 10.80 | 13.00 | | 34,200 | 3.54 | 22,200 | 2.52 | 7.9 | |
| FSM4X36**** | † | TDR&TXV | 34,200 | 0.76 | 10.80 | 13.00 | | 34,200 | 3.56 | 22,200 | 2.54 | 7.9 | |
| FVM4X24**** | † | TDR&TXV | 33,600 | 0.76 | 11.50 | 14.00 | | 34,800 | 3.66 | 21,200 | 2.58 | 8.0 | |
| FVM4X36**** | † | TDR&TXV | 34,000 | 0.76 | 11.70 | 14.50 | | 34,400 | 3.70 | 21,000 | 2.62 | 8.1 | |

ENERGY STAR (Light Commercial) compliance for combinations with both: SEER 13.00 or higher and HSPF 7.7 or higher.

† For coils not listed with a matching furnace or blower, coil rating applies with any indoor blower device.

For complete ratings information, use the AHRI website directory search: www.AHRIdirectory.org. (Occasionally, new ratings will be listed online before Specification Sheets are updated.)

- continued on next page -

COOLING & HEATING PERFORMANCE FOR COMBINATION RATINGS (continued)

Indoor Models

| Outdoor Model | Current Indoor Model (‡ tested combo) | Furnace Model | Factory Installed | Cool 95° F (35° C) | | | SEER | | Heat 47° F (8.3° C) | | Heat 17° F (-8.3° F) | | HSPF |
|------------------------|--|---------------|-------------------|--------------------|-------|-------|---------|----------------|---------------------|--------|----------------------|------|------|
| | | | | BTU/hr | S / T | EER | Factory | With Field TDR | BTU/hr | COP | BTU/hr | COP | |
| N4H342GHA N4H342GLA | ‡FS(M,U)4X42**** | † | TDR&TXV | 40,500 | 0.76 | 10.50 | 13.00 | | 42,000 | 3.54 | 26,400 | 2.46 | 8.1 |
| | ED*4X42F** | † | TXV | 40,000 | 0.76 | 10.50 | | 13.00 | 42,000 | 3.50 | 26,200 | 2.46 | 8.0 |
| | ED*4X42F** | *8MPV075 | TDR&TXV | 40,000 | 0.76 | 11.00 | 13.20 | | 41,500 | 3.48 | 25,600 | 2.48 | 8.0 |
| | ED*4X42F** | *9MPV075 | TDR&TXV | 39,500 | 0.76 | 10.50 | 13.00 | | 42,000 | 3.40 | 25,800 | 2.44 | 7.7 |
| | ED*4X42F** | *9MVX060 | TDR&TXV | 40,000 | 0.76 | 10.50 | 13.00 | | 42,000 | 3.44 | 25,800 | 2.46 | 8.0 |
| | ED*4X42J** | *8MPV100 | TDR&TXV | 41,000 | 0.76 | 10.95 | 13.20 | | 42,000 | 3.62 | 26,000 | 2.52 | 8.3 |
| | ED*4X42J** | *8MPV125 | TDR&TXV | 41,000 | 0.76 | 11.20 | 13.50 | | 42,000 | 3.62 | 25,800 | 2.54 | 8.3 |
| | ED*4X42J** | *9MPV100 | TDR&TXV | 40,500 | 0.76 | 11.00 | 13.50 | | 42,000 | 3.54 | 25,800 | 2.50 | 8.1 |
| | ED*4X42J** | *9MVX080 | TDR&TXV | 40,500 | 0.76 | 11.00 | 13.50 | | 42,000 | 3.56 | 25,600 | 2.52 | 8.0 |
| | ED*4X42J** | MV16J22**B* | TDR&TXV | 40,500 | 0.76 | 11.70 | 14.00 | | 41,000 | 3.58 | 25,000 | 2.56 | 8.3 |
| | ED*4X42J** | † | TXV | 40,000 | 0.76 | 10.50 | | 12.65 | 42,000 | 3.50 | 26,200 | 2.46 | 8.0 |
| | ED*4X42L** | *9MPV125 | TDR&TXV | 40,500 | 0.76 | 11.20 | 13.50 | | 42,000 | 3.58 | 25,600 | 2.54 | 8.3 |
| | ED*4X42L** | *9MVX100 | TDR&TXV | 40,000 | 0.76 | 11.00 | 13.50 | | 41,500 | 3.54 | 25,400 | 2.52 | 8.2 |
| | ED*4X42L** | MV20L24**B* | TDR&TXV | 40,500 | 0.76 | 11.70 | 14.00 | | 41,000 | 3.60 | 25,000 | 2.58 | 8.3 |
| | ED*4X42L** | † | TXV | 40,000 | 0.76 | 10.50 | | 13.00 | 42,000 | 3.50 | 26,200 | 2.46 | 8.0 |
| | ED*4X48F** | *8MPV075 | TDR&TXV | 41,500 | 0.76 | 11.00 | 13.50 | | 41,000 | 3.62 | 26,200 | 2.54 | 8.4 |
| | ED*4X48F** | *9MPV075 | TDR&TXV | 41,000 | 0.76 | 11.00 | 13.50 | | 41,000 | 3.56 | 26,000 | 2.52 | 8.3 |
| | ED*4X48F** | *9MVX060 | TDR&TXV | 41,000 | 0.76 | 11.00 | 13.50 | | 41,000 | 3.58 | 26,200 | 2.52 | 8.2 |
| | ED*4X48F** | † | TXV | 41,500 | 0.76 | 10.80 | | 13.00 | 41,000 | 3.60 | 26,600 | 2.54 | 8.4 |
| | ED*4X48J** | *8MPV100 | TDR&TXV | 41,500 | 0.76 | 11.20 | 13.50 | | 41,500 | 3.72 | 26,200 | 2.58 | 8.6 |
| | ED*4X48J** | *8MPV125 | TDR&TXV | 41,500 | 0.76 | 11.20 | 13.50 | | 41,500 | 3.74 | 26,000 | 2.60 | 8.6 |
| | ED*4X48J** | *9MPV100 | TDR&TXV | 41,000 | 0.76 | 11.20 | 13.50 | | 41,500 | 3.66 | 26,000 | 2.56 | 8.4 |
| | ED*4X48J** | *9MVX080 | TDR&TXV | 41,000 | 0.76 | 11.00 | 13.50 | | 41,500 | 3.68 | 25,800 | 2.58 | 8.4 |
| | ED*4X48J** | MV16J22**B* | TDR&TXV | 41,000 | 0.76 | 11.70 | 14.00 | | 41,000 | 3.74 | 25,200 | 2.62 | 8.6 |
| | ED*4X48J** | † | TXV | 41,000 | 0.76 | 10.80 | | 13.00 | 42,000 | 3.60 | 26,400 | 2.52 | 8.3 |
| | ED*4X48L** | *9MPV125 | TDR&TXV | 41,500 | 0.76 | 11.20 | 13.50 | | 41,500 | 3.70 | 25,800 | 2.58 | 8.5 |
| | ED*4X48L** | *9MVX100 | TDR&TXV | 41,000 | 0.76 | 11.20 | 14.00 | | 41,000 | 3.68 | 25,600 | 2.58 | 8.3 |
| | ED*4X48L** | MV20L24**B* | TDR&TXV | 41,000 | 0.76 | 11.70 | 14.00 | | 41,000 | 3.74 | 25,200 | 2.62 | 8.6 |
| | ED*4X48L** | † | TXV | 41,000 | 0.76 | 10.80 | | 13.00 | 42,000 | 3.60 | 26,400 | 2.52 | 8.3 |
| | EHD4X42A** | *8MPV075 | TDR&TXV | 41,000 | 0.76 | 11.00 | 13.50 | | 42,000 | 3.66 | 26,200 | 2.52 | 8.4 |
| EHD4X42A** | *8MPV100 | TDR&TXV | 41,000 | 0.76 | 11.20 | 13.50 | | 42,000 | 3.74 | 26,200 | 2.58 | 8.6 | |

ENERGY STAR (Light Commercial) compliance for combinations with both: SEER 13.00 or higher and HSPF 7.7 or higher.

† For coils not listed with a matching furnace or blower, coil rating applies with any indoor blower device.

For complete ratings information, use the AHRI website directory search: www.AHRIdirectory.org. (Occasionally, new ratings will be listed online before Specification Sheets are updated.)

- continued on next page -

COOLING & HEATING PERFORMANCE FOR COMBINATION RATINGS (continued)
Indoor Models

| Outdoor Model | Current Indoor Model (‡ tested combo) | Furnace Model | Factory Installed | Cool 95° F (35° C) | | | SEER | | Heat 47° F (8.3° C) | | Heat 17° F (-8.3° F) | | HSPF |
|---------------------------------------|--|---------------|-------------------|--------------------|-------|-------|---------|----------------|---------------------|------|----------------------|------|------|
| | | | | BTU/hr | S / T | EER | Factory | With Field TDR | BTU/hr | COP | BTU/hr | COP | |
| N4H342GHA N4H342GLA (continued) | EHD4X42A** | *8MPV125 | TDR&TXV | 41,000 | 0.76 | 11.50 | 14.00 | | 42,000 | 3.76 | 26,000 | 2.58 | 8.6 |
| | EHD4X42A** | *9MPV075 | TDR&TXV | 40,500 | 0.76 | 11.00 | 13.50 | | 42,000 | 3.58 | 26,000 | 2.50 | 8.2 |
| | EHD4X42A** | *9MPV100 | TDR&TXV | 40,500 | 0.76 | 11.20 | 13.50 | | 42,000 | 3.68 | 26,000 | 2.54 | 8.4 |
| | EHD4X42A** | *9MPV125 | TDR&TXV | 40,500 | 0.76 | 11.20 | 13.50 | | 42,000 | 3.72 | 25,800 | 2.58 | 8.5 |
| | EHD4X42A** | *9MVX060 | TDR&TXV | 41,000 | 0.76 | 11.00 | 13.50 | | 42,000 | 3.60 | 26,000 | 2.52 | 8.2 |
| | EHD4X42A** | *9MVX080 | TDR&TXV | 41,500 | 0.76 | 11.00 | 13.50 | | 42,000 | 3.70 | 25,800 | 2.56 | 8.4 |
| | EHD4X42A** | *9MVX100 | TDR&TXV | 41,000 | 0.76 | 11.50 | 14.00 | | 42,000 | 3.68 | 25,600 | 2.56 | 8.3 |
| | EHD4X42A** | MV16J22**B* | TDR&TXV | 41,500 | 0.76 | 11.70 | 14.00 | | 41,500 | 3.76 | 25,200 | 2.62 | 8.6 |
| | EHD4X42A** | MV20L24**B* | TDR&TXV | 41,500 | 0.76 | 11.70 | 14.00 | | 41,500 | 3.76 | 25,200 | 2.62 | 8.6 |
| | EHD4X42A** | † | TXV | 40,000 | 0.76 | 10.80 | | 13.00 | 42,000 | 3.64 | 26,400 | 2.52 | 8.3 |
| | EHD4X48A** | *8MPV075 | TDR&TXV | 41,500 | 0.76 | 11.20 | 13.50 | | 41,500 | 3.68 | 26,200 | 2.54 | 8.4 |
| | EHD4X48A** | *8MPV100 | TDR&TXV | 41,500 | 0.76 | 11.20 | 13.50 | | 41,500 | 3.76 | 26,200 | 2.58 | 8.6 |
| | EHD4X48A** | *8MPV125 | TDR&TXV | 41,500 | 0.76 | 11.50 | 14.00 | | 41,500 | 3.80 | 26,000 | 2.60 | 8.7 |
| | EHD4X48A** | *9MPV075 | TDR&TXV | 41,000 | 0.76 | 11.00 | 13.50 | | 41,500 | 3.62 | 26,000 | 2.52 | 8.3 |
| | EHD4X48A** | *9MPV100 | TDR&TXV | 41,000 | 0.76 | 11.20 | 13.50 | | 41,500 | 3.72 | 26,000 | 2.56 | 8.5 |
| | EHD4X48A** | *9MPV125 | TDR&TXV | 41,500 | 0.76 | 11.50 | 14.00 | | 41,500 | 3.76 | 26,000 | 2.58 | 8.6 |
| | EHD4X48A** | *9MVX060 | TDR&TXV | 41,000 | 0.76 | 11.00 | 13.50 | | 42,000 | 3.64 | 26,000 | 2.52 | 8.2 |
| | EHD4X48A** | *9MVX080 | TDR&TXV | 41,500 | 0.76 | 11.00 | 14.00 | | 42,000 | 3.74 | 25,800 | 2.58 | 8.4 |
| | EHD4X48A** | *9MVX100 | TDR&TXV | 41,500 | 0.76 | 11.00 | 14.00 | | 42,000 | 3.72 | 25,600 | 2.58 | 8.4 |
| | EHD4X48A** | MV16J22**B* | TDR&TXV | 41,500 | 0.76 | 11.70 | 14.00 | | 41,500 | 3.80 | 25,200 | 2.64 | 8.6 |
| | EHD4X48A** | MV20L24**B* | TDR&TXV | 41,500 | 0.76 | 11.70 | 14.00 | | 41,500 | 3.80 | 25,200 | 2.64 | 8.6 |
| | EHD4X48A** | † | TXV | 41,000 | 0.76 | 10.80 | | 13.00 | 42,000 | 3.66 | 26,400 | 2.52 | 8.4 |
| | EMA4X48D** | † | TXV | 40,500 | 0.76 | 10.80 | | 13.00 | 42,000 | 3.58 | 26,400 | 2.50 | 8.2 |
| | FEM4X42**** | † | TDR&TXV | 41,500 | 0.76 | 11.00 | 14.00 | | 42,000 | 3.68 | 25,800 | 2.56 | 8.3 |
| | FEM4X48**** | † | TDR&TXV | 42,000 | 0.76 | 11.50 | 14.50 | | 40,500 | 3.74 | 25,800 | 2.64 | 8.5 |
| | FS(M,U)4X48**** | † | TDR&TXV | 41,500 | 0.76 | 10.80 | 13.20 | | 41,000 | 3.54 | 26,600 | 2.50 | 8.2 |
| | FSM4X36**** | † | TDR&TXV | 41,000 | 0.76 | 10.80 | 13.00 | | 42,000 | 3.56 | 26,400 | 2.48 | 8.2 |
| | FVM4X48**** | † | TDR&TXV | 41,500 | 0.76 | 12.10 | 14.00 | | 40,500 | 3.70 | 25,200 | 2.62 | 8.3 |
| | FVM4X60**** | † | TDR&TXV | 42,000 | 0.76 | 12.00 | 14.00 | | 39,000 | 3.74 | 25,400 | 2.66 | 8.4 |

ENERGY STAR (Light Commercial) compliance for combinations with both: SEER 13.00 or higher and HSPF 7.7 or higher.

† For coils not listed with a matching furnace or blower, coil rating applies with any indoor blower device.

For complete ratings information, use the AHRI website directory search: www.AHRIdirectory.org. (Occasionally, new ratings will be listed online before Specification Sheets are updated.)

- continued on next page -

COOLING & HEATING PERFORMANCE FOR COMBINATION RATINGS (continued)

Indoor Models

| Outdoor Model | Current Indoor Model (‡ tested combo) | Furnace Model | Factory Installed | Cool 95° F (35° C) | | | SEER | | Heat 47° F (8.3° C) | | Heat 17° F (-8.3° F) | | HSPF |
|------------------------|--|---------------|-------------------|--------------------|-------|-------|---------|----------------|---------------------|--------|----------------------|------|------|
| | | | | BTU/hr | S / T | EER | Factory | With Field TDR | BTU/hr | COP | BTU/hr | COP | |
| N4H348GHB N4H348GLB | ‡FS(M,U)4X48**** | † | TDR&TXV | 47,500 | 0.74 | 11.00 | 13.00 | | 48,000 | 3.58 | 30,200 | 2.54 | 8.0 |
| | ED*4X48F** | † | TXV | 46,500 | 0.74 | 11.00 | | 13.00 | 48,000 | 3.62 | 29,800 | 2.56 | 8.0 |
| | ED*4X48J** | *8MPV100 | TDR&TXV | 47,000 | 0.74 | 12.00 | 14.00 | | 48,000 | 3.68 | 29,400 | 2.62 | 8.0 |
| | ED*4X48J** | *8MPV125 | TDR&TXV | 47,000 | 0.74 | 12.00 | 14.00 | | 48,000 | 3.70 | 29,400 | 2.62 | 8.0 |
| | ED*4X48J** | *9MPV100 | TDR&TXV | 46,500 | 0.74 | 11.50 | 13.50 | | 48,000 | 3.64 | 29,600 | 2.58 | 8.0 |
| | ED*4X48J** | *9MVX080 | TDR&TXV | 46,500 | 0.74 | 11.20 | 13.50 | | 48,000 | 3.64 | 29,600 | 2.58 | 8.0 |
| | ED*4X48J** | MV16J22**B* | TDR&TXV | 47,000 | 0.74 | 12.00 | 14.00 | | 47,500 | 3.74 | 28,800 | 2.66 | 8.2 |
| | ED*4X48J** | † | TXV | 47,000 | 0.74 | 11.00 | | 13.00 | 48,000 | 3.64 | 30,000 | 2.56 | 8.0 |
| | ED*4X48L** | *9MPV125 | TDR&TXV | 46,500 | 0.74 | 12.00 | 14.00 | | 48,000 | 3.66 | 29,400 | 2.60 | 8.0 |
| | ED*4X48L** | *9MVX100 | TDR&TXV | 46,500 | 0.74 | 11.50 | 14.00 | | 48,000 | 3.64 | 29,400 | 2.60 | 8.0 |
| | ED*4X48L** | † | TDR&TXV | 47,000 | 0.74 | 12.00 | 14.00 | | 47,500 | 3.74 | 28,800 | 2.66 | 8.2 |
| | ED*4X48L** | † | TXV | 47,000 | 0.74 | 11.00 | | 13.00 | 48,000 | 3.64 | 30,000 | 2.56 | 8.0 |
| | ED*4X60J** | *8MPV100 | TDR&TXV | 48,000 | 0.74 | 12.00 | 14.00 | | 46,000 | 3.66 | 29,600 | 2.66 | 8.2 |
| | ED*4X60J** | *8MPV125 | TDR&TXV | 48,000 | 0.74 | 12.00 | 14.00 | | 46,000 | 3.68 | 29,400 | 2.68 | 8.2 |
| | ED*4X60J** | *9MPV100 | TDR&TXV | 48,000 | 0.74 | 12.00 | 14.00 | | 46,500 | 3.62 | 29,600 | 2.62 | 8.0 |
| | ED*4X60J** | *9MVX080 | TDR&TXV | 48,000 | 0.74 | 11.50 | 14.00 | | 46,500 | 3.62 | 29,800 | 2.62 | 8.0 |
| | ED*4X60J** | † | TXV | 48,000 | 0.74 | 11.50 | | 13.50 | 45,500 | 3.54 | 30,200 | 2.60 | 8.0 |
| | ED*4X60L** | *9MPV125 | TDR&TXV | 48,000 | 0.74 | 12.00 | 14.00 | | 46,500 | 3.64 | 29,600 | 2.64 | 8.0 |
| | ED*4X60L** | *9MVX100 | TDR&TXV | 48,000 | 0.74 | 11.50 | 14.00 | | 46,500 | 3.64 | 29,400 | 2.62 | 8.0 |
| | ED*4X60L** | † | TXV | 48,000 | 0.74 | 11.50 | | 13.50 | 45,500 | 3.54 | 30,200 | 2.60 | 8.0 |
| | EHD4X48A** | *8MPV100 | TDR&TXV | 47,500 | 0.74 | 12.00 | 14.00 | | 48,000 | 3.72 | 29,400 | 2.62 | 8.0 |
| | EHD4X48A** | *8MPV125 | TDR&TXV | 47,500 | 0.74 | 12.00 | 14.00 | | 48,000 | 3.74 | 29,400 | 2.64 | 8.2 |
| | EHD4X48A** | *9MPV100 | TDR&TXV | 47,000 | 0.74 | 11.50 | 13.50 | | 48,000 | 3.66 | 29,600 | 2.58 | 8.0 |
| | EHD4X48A** | *9MPV125 | TDR&TXV | 47,000 | 0.74 | 12.00 | 14.00 | | 48,000 | 3.68 | 29,400 | 2.60 | 8.0 |
| | EHD4X48A** | *9MVX080 | TDR&TXV | 47,000 | 0.74 | 11.20 | 13.50 | | 48,000 | 3.68 | 29,600 | 2.60 | 8.1 |
| | EHD4X48A** | *9MVX100 | TDR&TXV | 47,000 | 0.74 | 11.50 | 14.00 | | 48,000 | 3.66 | 29,400 | 2.60 | 8.1 |
| | EHD4X48A** | MV16J22**B* | TDR&TXV | 47,500 | 0.74 | 12.00 | 14.00 | | 48,000 | 3.78 | 29,000 | 2.68 | 8.2 |
| | EHD4X48A** | MV20L24**B* | TDR&TXV | 47,500 | 0.74 | 12.00 | 14.00 | | 48,000 | 3.78 | 29,000 | 2.68 | 8.2 |
| EHD4X48A** | † | TXV | 47,500 | 0.74 | 11.00 | | 13.00 | 48,000 | 3.70 | 30,000 | 2.58 | 8.0 | |

ENERGY STAR (Light Commercial) compliance for combinations with both: SEER 13.00 or higher and HSPF 7.7 or higher.

† For coils not listed with a matching furnace or blower, coil rating applies with any indoor blower device.

For complete ratings information, use the AHRI website directory search: www.AHRIdirectory.org. (Occasionally, new ratings will be listed online before Specification Sheets are updated.)

- continued on next page -

COOLING & HEATING PERFORMANCE FOR COMBINATION RATINGS (continued)
Indoor Models

| Outdoor Model | Current Indoor Model (‡ tested combo) | Furnace Model | Factory Installed | Cool 95° F (35° C) | | | SEER | | Heat 47° F (8.3° C) | | Heat 17° F (-8.3° F) | | HSPF |
|---------------------------------------|--|---------------|-------------------|--------------------|-------|-------|---------|----------------|---------------------|--------|----------------------|------|------|
| | | | | BTU/hr | S / T | EER | Factory | With Field TDR | BTU/hr | COP | BTU/hr | COP | |
| N4H348GHB N4H348GLB (continued) | EHD4X60A** | *8MPV100 | TDR&TXV | 48,000 | 0.74 | 12.00 | 14.00 | | 47,500 | 3.78 | 29,600 | 2.68 | 8.2 |
| | EHD4X60A** | *8MPV125 | TDR&TXV | 48,000 | 0.74 | 12.00 | 14.00 | | 47,500 | 3.78 | 29,400 | 2.68 | 8.2 |
| | EHD4X60A** | *9MPV100 | TDR&TXV | 48,000 | 0.74 | 12.00 | 14.00 | | 47,500 | 3.72 | 29,800 | 2.64 | 8.2 |
| | EHD4X60A** | *9MPV125 | TDR&TXV | 48,000 | 0.74 | 12.00 | 14.00 | | 47,500 | 3.74 | 29,600 | 2.66 | 8.2 |
| | EHD4X60A** | *9MVX080 | TDR&TXV | 48,000 | 0.74 | 11.50 | 14.00 | | 47,500 | 3.72 | 29,800 | 2.64 | 8.1 |
| | EHD4X60A** | *9MVX100 | TDR&TXV | 48,000 | 0.74 | 11.50 | 14.00 | | 47,500 | 3.72 | 29,600 | 2.64 | 8.1 |
| | EHD4X60A** | MV16J22**B* | TDR&TXV | 48,000 | 0.74 | 12.00 | 14.00 | | 47,000 | 3.82 | 29,000 | 2.72 | 8.4 |
| | EHD4X60A** | MV20L24**B* | TDR&TXV | 48,000 | 0.74 | 12.00 | 14.00 | | 47,000 | 3.82 | 29,000 | 2.72 | 8.4 |
| | EHD4X60A** | † | TXV | 48,000 | 0.74 | 11.50 | | 13.50 | 48,000 | 3.68 | 30,200 | 2.62 | 8.2 |
| | EMA4X48D** | † | TXV | 46,000 | 0.74 | 11.00 | | 13.00 | 48,000 | 3.46 | 29,600 | 2.52 | 7.7 |
| | FEM4X48**** | † | TDR&TXV | 48,000 | 0.74 | 12.00 | 14.00 | | 47,500 | 3.72 | 29,600 | 2.64 | 8.2 |
| | FEM4X60**** | † | TDR&TXV | 48,000 | 0.74 | 12.00 | 14.00 | | 46,000 | 3.76 | 29,600 | 2.72 | 8.2 |
| | FS(M,U)4X60**** | † | TDR&TXV | 48,000 | 0.74 | 11.50 | 13.50 | | 46,500 | 3.60 | 30,400 | 2.60 | 8.0 |
| | FVM4X48**** | † | TDR&TXV | 47,500 | 0.74 | 12.00 | 14.00 | | 47,000 | 3.72 | 29,000 | 2.66 | 8.2 |
| FVM4X60**** | † | TDR&TXV | 48,000 | 0.74 | 12.00 | 14.00 | | 46,500 | 3.82 | 29,000 | 2.72 | 8.2 | |
| N4H360GHB N4H360GLB | ‡FS(M,U)4X60**** | † | TDR&TXV | 58,500 | 0.75 | 10.80 | 13.00 | | 58,000 | 3.52 | 37,000 | 2.50 | 7.7 |
| | ED*4X60J** | *8MPV125 | TDR&TXV | 58,500 | 0.75 | 11.00 | 13.20 | | 57,500 | 3.56 | 36,600 | 2.54 | 7.7 |
| | ED*4X60J** | MV16J22**B* | TDR&TXV | 59,000 | 0.75 | 11.20 | 13.50 | | 57,000 | 3.62 | 36,000 | 2.58 | 7.7 |
| | ED*4X60J** | † | TXV | 58,000 | 0.75 | 10.80 | | 13.00 | 57,500 | 3.52 | 36,600 | 2.50 | 7.7 |
| | ED*4X60L** | MV20L24**B* | TDR&TXV | 59,000 | 0.75 | 11.20 | 13.50 | | 57,000 | 3.62 | 36,000 | 2.58 | 7.7 |
| | ED*4X60L** | † | TXV | 58,000 | 0.75 | 10.80 | | 13.00 | 57,500 | 3.52 | 36,600 | 2.50 | 7.7 |
| | EHD4X60A** | *8MPV125 | TDR&TXV | 58,500 | 0.75 | 11.00 | 13.20 | | 58,500 | 3.62 | 36,600 | 2.54 | 7.7 |
| | EHD4X60A** | MV16J22**B* | TDR&TXV | 59,000 | 0.75 | 11.20 | 13.50 | | 57,500 | 3.68 | 36,000 | 2.60 | 8.0 |
| | EHD4X60A** | MV20L24**B* | TDR&TXV | 59,000 | 0.75 | 11.20 | 13.50 | | 57,500 | 3.68 | 36,000 | 2.60 | 8.0 |
| | EHD4X60A** | † | TXV | 58,500 | 0.75 | 10.80 | | 13.00 | 58,000 | 3.56 | 36,600 | 2.52 | 7.7 |
| | FEM4X60**** | † | TDR&TXV | 59,000 | 0.75 | 11.20 | 13.50 | | 57,000 | 3.66 | 36,200 | 2.58 | 7.7 |
| FVM4X60**** | † | TDR&TXV | 59,500 | 0.75 | 11.50 | 14.00 | | 57,000 | 3.68 | 36,000 | 2.60 | 8.0 | |

ENERGY STAR (Light Commercial) compliance for combinations with both: SEER 13.00 or higher and HSPF 7.7 or higher.

† For coils not listed with a matching furnace or blower, coil rating applies with any indoor blower device.

For complete ratings information, use the AHRI website directory search: www.AHRIdirectory.org. (Occasionally, new ratings will be listed online before Specification Sheets are updated.)



This product has been designed and manufactured to meet ENERGY STAR criteria for energy efficiency when matched with appropriate coil components. However, proper refrigerant charge and proper air flow are critical to achieve rated capacity and efficiency. Installation of this product should follow the manufacturer's refrigerant charging and air flow instructions. Failure to confirm proper charge and airflow may reduce energy efficiency and shorten equipment life.

| OUTDOOR UNIT MODEL NUMBER IDENTIFICATION GUIDE (3-phase) | | | | | | | | | | | |
|--|--------------------|----------|---------------------------|----------|-----------|-----------------|----------|----------|----------|----------|----------|
| Digit Position: | 1 | 2 | 3 | 4 | 5, 6 | 7 | 8 | 9 | 10 | 11 | 12 |
| Example Part Number: | N | 4 | H | 3 | 36 | G | H | A | 1 | 0 | 0 |
| Product Family | REFRIGERANT | | TYPE | | | | | | | | |
| 4 = R-410A | | | | | | | | | | | |
| A = Air Conditioner | | | | | | | | | | | |
| H = Heat Pump | | | | | | | | | | | |
| 3 = 13 SEER | | | NOMINAL EFFICIENCY | | | | | | | | |
| 30 = 30,000 BTUH = 2½ tons | | | | | | | | | | | |
| 36 = 36,000 BTUH = 3 tons | | | | | | | | | | | |
| 42 = 42,000 BTUH = 3½ tons | | | | | | | | | | | |
| 48 = 48,000 BTUH = 4 tons | | | | | | | | | | | |
| 60 = 60,000 BTUH = 5 tons | | | NOMINAL CAPACITY | | | | | | | | |
| G = Coil Guard Grille | | | | | | FEATURES | | | | | |
| H = 208/230-3-60 | | | | | | | | | | | |
| L = 460-3-60 | | | | | | VOLTAGE | | | | | |
| Sales Code | | | | | | | | | | | |
| Engineering Revision | | | | | | | | | | | |
| Extra Digit | | | | | | | | | | | |
| Extra Digit | | | | | | | | | | | |

| ACCESSORIES PART NUMBER IDENTIFICATION GUIDE | | | | | | | | | |
|---|----------------------|----------|---------------------|----------|----------|-----------|-----------|-----------|--|
| Digit Position: | 1 | 2 | 3 | 4 | 5 | 6, 7 | 8, 9 | 10, 11 | |
| Example Part Number: | N | A | S | A | 0 | 01 | 01 | CH | |
| N = Non-Branded | BRANDING | | | | | | | | |
| A = Accessory | PRODUCT GROUP | | | | | | | | |
| S = Split System (AC & HP) | | | KIT USAGE | | | | | | |
| A = Original | | | | | | | | | |
| B = 2nd Generation | | | MAJOR SERIES | | | | | | |
| 0 = Generic or Not Applicable | | | | | | | | | |
| 2 = R-22 | | | | | | | | | |
| 4 = R-410A | | | REFRIGERANT | | | | | | |
| Product Identifier Number | | | | | | | | | |
| Package Quantity | | | | | | | | | |
| Type of Kit (Example: CH = Crankcase Heater) | | | | | | | | | |