

Parts List

& Wiring Diagrams



Models

PAE036H00A
PAE036L00A
PAE048H00A
PAE048L00A
PAE060H00A
PAE060L00A

APE036H00A
APE036L00A
APE048H00A
APE048L00A
APE060H00A
APE060L00A

Manufactured by:
International Comfort Products
Lewisburg, TN USA 37091

Save This Manual For Future Reference

513 04 1701 00
4-01 LP-1

Style No:	PAE/APE036H	Outdoor Ambient Temperature - Degrees F. Dry Bulb																										
		75				85				95				105				115										
Voltage	208/230	Phase	3	Ampacity	17.5	Entering Indoor Temperature - Degrees F. Wet Bulb																						
						IDB	59	63	67	71	59	63	67	71	59	63	67	71	59	63	67	71	59	63	67	71		
Min. Fuse	25	Max. Fuse	30	70	MBh	32.0	33.1	36.3	-	31.2	32.3	35.4	-	30.4	31.6	34.6	-	28.9	30.0	32.8	-	26.8	27.8	30.4	-			
					S/T	0.76	0.64	0.44	-	0.78	0.65	0.45	-	0.81	0.68	0.47	-	0.84	0.70	0.49	-	0.85	0.71	0.49	-			
					AMPS	9.5	9.6	9.8	-	10.0	10.2	10.4	-	10.4	10.6	10.9	-	10.9	11.1	11.3	-	11.3	11.5	11.8	-			
					HI PR	184	198	209	-	209	225	237	-	238	256	270	-	268	288	304	-	296	318	336	-			
Compressor	SCROLL	RLA	10.26	LRA	77	LO PR	64	68	75	-	67	71	77	-	70	75	81	-	73	78	85	-	76	81	88	-		
						MBh	32.5	33.5	36.2	38.9	31.7	32.7	35.4	38.0	31.0	31.9	34.5	37.0	29.4	30.3	32.8	35.2	27.2	28.1	30.4	32.6		
						S/T	0.87	0.78	0.59	0.38	0.89	0.80	0.60	0.39	0.92	0.82	0.62	0.40	0.95	0.85	0.65	0.42	0.96	0.86	0.65	0.42		
						AMPS	9.5	9.7	9.9	10.1	10.1	10.2	10.4	10.7	10.5	10.7	10.9	11.2	11.0	11.2	11.4	11.7	11.4	11.6	11.9	12.2		
CC Heater	NONE	Start Kit	NONE	HI PR	186	200	211	220	211	227	240	250	240	259	273	285	271	291	307	321	299	322	340	354				
				LO PR	65	69	75	80	67	72	78	83	71	75	82	88	74	79	86	92	77	82	89	95				
				MBh	33.1	33.8	36.1	38.6	32.3	33.0	35.3	37.7	31.5	32.2	34.4	36.8	29.9	30.6	32.7	34.9	27.7	28.3	30.3	32.4				
				S/T	0.95	0.89	0.73	0.54	0.98	0.92	0.75	0.56	1.00	0.95	0.77	0.58	1.00	0.98	0.80	0.60	1.00	0.99	0.81	0.60				
Fan	208/230	FLA	1.9	LRA	3.7	RPM	1075	AMPS	9.6	9.7	9.9	10.2	10.1	10.3	10.5	10.8	10.6	10.8	11.0	11.3	11.0	11.2	11.5	11.8	11.5	11.7	12.0	12.3
								HI PR	188	202	213	222	213	229	242	253	243	261	276	288	273	294	311	324	302	325	343	358
								LO PR	65	70	76	81	68	72	79	84	71	76	83	88	75	80	87	93	77	82	90	96
								MBh	33.7	34.3	35.9	38.3	32.9	33.5	35.1	37.4	32.1	32.7	34.2	36.5	30.5	31.0	32.5	34.7	28.2	28.8	30.1	32.1
PTCR	NONE	Hi Press	420-300	Low Press	37031	Time Delay	30S OR 3MIN	S/T	1.00	0.96	0.87	0.71	1.00	0.99	0.89	0.72	1.00	1.00	0.92	0.75	1.00	1.00	0.96	0.78	1.00	1.00	0.96	0.78
								AMPS	9.6	9.8	10.0	10.2	10.2	10.3	10.6	10.8	10.6	10.8	11.1	11.4	11.1	11.3	11.6	11.9	11.6	11.8	12.1	12.4
								HI PR	189	204	215	224	215	232	245	255	245	264	279	291	276	297	314	327	305	328	346	361
								LO PR	66	70	77	82	69	73	80	85	72	77	84	89	76	80	88	94	78	83	91	97
Operating Chg	(R-22 Oz)	Calculated averaged performance data, for service applications for all matches.																										
(25 Ft Lines)*	202	For applications where rated performance data is required refer to the Expanded Ratings Tables.																										
Service Driers																												
Liquid/Chg	30 Cu In / 17 oz	Part No:																										
Suction	30 Sq In	1113643																										
		*Add or Subtract (Oz per Ft) for Lines: .25oz -1/4 Liq, .45oz - 5/16 Liq, .60oz - 3/8 Liq, 1.2 oz - 1/2 Liq																										

Style No:	PAE/APE036L	Outdoor Ambient Temperature - Degrees F. Dry Bulb																										
		75				85				95				105				115										
Voltage	460	Phase	3	Ampacity	8	Entering Indoor Temperature - Degrees F. Wet Bulb																						
						IDB	59	63	67	71	59	63	67	71	59	63	67	71	59	63	67	71	59	63	67	71		
Min. Fuse	15	Max. Fuse	15	70	MBh	32.0	33.1	36.3	-	31.2	32.3	35.4	-	30.4	31.6	34.6	-	28.9	30.0	32.8	-	26.8	27.8	30.4	-			
					S/T	0.76	0.64	0.44	-	0.78	0.65	0.45	-	0.81	0.68	0.47	-	0.84	0.70	0.49	-	0.85	0.71	0.49	-			
					AMPS	9.5	9.6	9.8	-	10.0	10.2	10.4	-	10.4	10.6	10.9	-	10.9	11.1	11.3	-	11.3	11.5	11.8	-			
					HI PR	184	198	209	-	209	225	237	-	238	256	270	-	268	288	304	-	296	318	336	-			
Compressor	SCROLL	RLA	5.13	LRA	39	LO PR	64	68	75	-	67	71	77	-	70	75	81	-	73	78	85	-	76	81	88	-		
						MBh	32.5	33.5	36.2	38.9	31.7	32.7	35.4	38.0	31.0	31.9	34.5	37.0	29.4	30.3	32.8	35.2	27.2	28.1	30.4	32.6		
						S/T	0.87	0.78	0.59	0.38	0.89	0.80	0.60	0.39	0.92	0.82	0.62	0.40	0.95	0.85	0.65	0.42	0.96	0.86	0.65	0.42		
						AMPS	9.5	9.7	9.9	10.1	10.1	10.2	10.4	10.7	10.5	10.7	10.9	11.2	11.0	11.2	11.4	11.7	11.4	11.6	11.9	12.2		
CC Heater	NONE	Start Kit	NONE	HI PR	186	200	211	220	211	227	240	250	240	259	273	285	271	291	307	321	299	322	340	354				
				LO PR	65	69	75	80	67	72	78	83	71	75	82	88	74	79	86	92	77	82	89	95				
				MBh	33.1	33.8	36.1	38.6	32.3	33.0	35.3	37.7	31.5	32.2	34.4	36.8	29.9	30.6	32.7	34.9	27.7	28.3	30.3	32.4				
				S/T	0.95	0.89	0.73	0.54	0.98	0.92	0.75	0.56	1.00	0.95	0.77	0.58	1.00	0.98	0.80	0.60	1.00	0.99	0.81	0.60				
Fan	460	FLA	0.74	LRA	39	RPM	1100	AMPS	9.6	9.7	9.9	10.2	10.1	10.3	10.5	10.8	10.6	10.8	11.0	11.3	11.0	11.2	11.5	11.8	11.5	11.7	12.0	12.3
								HI PR	188	202	213	222	213	229	242	253	243	261	276	288	273	294	311	324	302	325	343	358
								LO PR	65	70	76	81	68	72	79	84	71	76	83	88	75	80	87	93	77	82	90	96
								MBh	33.7	34.3	35.9	38.3	32.9	33.5	35.1	37.4	32.1	32.7	34.2	36.5	30.5	31.0	32.5	34.7	28.2	28.8	30.1	32.1
PTCR	NONE	Hi Press	420-300	Low Press	37031	Time Delay	30S OR 3MIN	S/T	1.00	0.96	0.87	0.71	1.00	0.99	0.89	0.72	1.00	1.00	0.92	0.75	1.00	1.00	0.96	0.78	1.00	1.00	0.96	0.78
								AMPS	9.6	9.8	10.0	10.2	10.2	10.3	10.6	10.8	10.6	10.8	11.1	11.4	11.1	11.3	11.6	11.9	11.6	11.8	12.1	12.4
								HI PR	189	204	215	224	215	232	245	255	245	264	279	291	276	297	314	327	305	328	346	361
								LO PR	66	70	77	82	69	73	80	85	72	77	84	89	76	80	88	94	78	83	91	97
Operating Chg	(R-22 Oz)	Calculated averaged performance data, for service applications for all matches.																										
(25 Ft Lines)*	202	For applications where rated performance data is required refer to the Expanded Ratings Tables.																										
Service Driers																												
Liquid/Chg	30 Cu In / 17 oz	Part No:																										
Suction	30 Sq In	1113644																										
		*Add or Subtract (Oz per Ft) for Lines: .25oz -1/4 Liq, .45oz - 5/16 Liq, .60oz - 3/8 Liq, 1.2 oz - 1/2 Liq																										

Style No:	PAE/APE048H	Outdoor Ambient Temperature - Degrees F. Dry Bulb																					
		75				85				95				105				115					
		Entering Indoor Temperature - Degrees F. Wet Bulb																					
Voltage	208/230	IDB	59	63	67	71	59	63	67	71	59	63	67	71	59	63	67	71	59	63	67	71	
Phase	3		70	MBh	32.0	33.1	36.3	-	31.2	32.3	35.4	-	30.4	31.6	34.6	-	28.9	30.0	32.8	-	26.8	27.8	30.4
Ampacity	19.7	S/T		0.76	0.64	0.44	-	0.78	0.65	0.45	-	0.81	0.68	0.47	-	0.84	0.70	0.49	-	0.85	0.71	0.49	-
Min. Fuse	30	70	AMPS	9.5	9.6	9.8	-	10.0	10.2	10.4	-	10.4	10.6	10.9	-	10.9	11.1	11.3	-	11.3	11.5	11.8	-
Max. Fuse	35		HI PR	184	198	209	-	209	225	237	-	238	256	270	-	268	288	304	-	296	318	336	-
Compressor	SCROLL	75	LO PR	64	68	75	-	67	71	77	-	70	75	81	-	73	78	85	-	76	81	88	-
RLA	13.46		MBh	32.5	33.5	36.2	38.9	31.7	32.7	35.4	38.0	31.0	31.9	34.5	37.0	29.4	30.3	32.8	35.2	27.2	28.1	30.4	32.6
LRA	120	S/T	0.87	0.78	0.59	0.38	0.89	0.80	0.60	0.39	0.92	0.82	0.62	0.40	0.95	0.85	0.65	0.42	0.96	0.86	0.65	0.42	
CC Heater	NONE	75	AMPS	9.5	9.7	9.9	10.1	10.1	10.2	10.4	10.7	10.5	10.7	10.9	11.2	11.0	11.2	11.4	11.7	11.4	11.6	11.9	12.2
Start Kit	NONE		HI PR	186	200	211	220	211	227	240	250	240	259	273	285	271	291	307	321	299	322	340	354
Fan		80	LO PR	65	69	75	80	67	72	78	83	71	75	82	88	74	79	86	92	77	82	89	95
Voltage	208/230		MBh	33.1	33.8	36.1	38.6	32.3	33.0	35.3	37.7	31.5	32.2	34.4	36.8	29.9	30.6	32.7	34.9	27.7	28.3	30.3	32.4
FLA	1.8	S/T	0.95	0.89	0.73	0.54	0.98	0.92	0.75	0.56	1.00	0.95	0.77	0.58	1.00	0.98	0.80	0.60	1.00	0.99	0.81	0.60	
LRA	6.42	80	AMPS	9.6	9.7	9.9	10.2	10.1	10.3	10.5	10.8	10.6	10.8	11.0	11.3	11.0	11.2	11.5	11.8	11.5	11.7	12.0	12.3
RPM	1140		HI PR	188	202	213	222	213	229	242	253	243	261	276	288	273	294	311	324	302	325	343	358
PTCR	NONE	85	LO PR	65	70	76	81	68	72	79	84	71	76	83	88	75	80	87	93	77	82	89	96
Hi Press	420-300		MBh	33.7	34.3	35.9	38.3	32.9	33.5	35.1	37.4	32.1	32.7	34.2	36.5	30.5	31.0	32.5	34.7	28.2	28.8	30.1	32.1
Low Press	37031	S/T	1.00	0.96	0.87	0.71	1.00	0.99	0.89	0.72	1.00	1.00	0.92	0.75	1.00	1.00	0.96	0.78	1.00	1.00	0.96	0.78	
Time Delay	30S OR 3MIN	85	AMPS	9.6	9.8	10.0	10.2	10.2	10.3	10.6	10.8	10.6	10.8	11.1	11.4	11.1	11.3	11.6	11.9	11.6	11.8	12.1	12.4
Operating Chg (25 Ft Lines)*	(R-22 Oz) 202		HI PR	189	204	215	224	215	232	245	255	245	264	279	291	276	297	314	327	305	328	346	361
Service Driers		85	LO PR	66	70	77	82	69	73	80	85	72	77	84	89	76	80	88	94	78	83	91	97
Liquid/Chg Suction	30 Cu In / 17 oz 30 Sq In		MBh	33.1	33.8	36.1	38.6	32.3	33.0	35.3	37.7	31.5	32.2	34.4	36.8	29.9	30.6	32.7	34.9	27.7	28.3	30.3	32.4

Calculated averaged performance data, for service applications for all matches.
For applications where rated performance data is required refer to the Expanded Ratings Tables.

Part No:
1113646

*Add or Subtract (Oz per Ft) for Lines: .25oz -1/4 Liq., .45oz- 5/16 Liq., .60oz - 3/8 Liq, 1.2 oz - 1/2 Liq

Style No:	PAE/APE048L	Outdoor Ambient Temperature - Degrees F. Dry Bulb																					
		75				85				95				105				115					
		Entering Indoor Temperature - Degrees F. Wet Bulb																					
Voltage	460	IDB	59	63	67	71	59	63	67	71	59	63	67	71	59	63	67	71	59	63	67	71	
Phase	3		70	MBh	32.0	33.1	36.3	-	31.2	32.3	35.4	-	30.4	31.6	34.6	-	28.9	30.0	32.8	-	26.8	27.8	30.4
Ampacity	19.7	S/T		0.76	0.64	0.44	-	0.78	0.65	0.45	-	0.81	0.68	0.47	-	0.84	0.70	0.49	-	0.85	0.71	0.49	-
Min. Fuse	15	70	AMPS	9.5	9.6	9.8	-	10.0	10.2	10.4	-	10.4	10.6	10.9	-	10.9	11.1	11.3	-	11.3	11.5	11.8	-
Max. Fuse	15		HI PR	184	198	209	-	209	225	237	-	238	256	270	-	268	288	304	-	296	318	336	-
Compressor	SCROLL	75	LO PR	64	68	75	-	67	71	77	-	70	75	81	-	73	78	85	-	76	81	88	-
RLA	7.37		MBh	32.5	33.5	36.2	38.9	31.7	32.7	35.4	38.0	31.0	31.9	34.5	37.0	29.4	30.3	32.8	35.2	27.2	28.1	30.4	32.6
LRA	49.5	S/T	0.87	0.78	0.59	0.38	0.89	0.80	0.60	0.39	0.92	0.82	0.62	0.40	0.95	0.85	0.65	0.42	0.96	0.86	0.65	0.42	
CC Heater	NONE	75	AMPS	9.5	9.7	9.9	10.1	10.1	10.2	10.4	10.7	10.5	10.7	10.9	11.2	11.0	11.2	11.4	11.7	11.4	11.6	11.9	12.2
Start Kit	NONE		HI PR	186	200	211	220	211	227	240	250	240	259	273	285	271	291	307	321	299	322	340	354
Fan		80	LO PR	65	69	75	80	67	72	78	83	71	75	82	88	74	79	86	92	77	82	89	95
Voltage	460		MBh	33.1	33.8	36.1	38.6	32.3	33.0	35.3	37.7	31.5	32.2	34.4	36.8	29.9	30.6	32.7	34.9	27.7	28.3	30.3	32.4
FLA	0.8	S/T	0.95	0.89	0.73	0.54	0.98	0.92	0.75	0.56	1.00	0.95	0.77	0.58	1.00	0.98	0.80	0.60	1.00	0.99	0.81	0.60	
LRA	3.4	80	AMPS	9.6	9.7	9.9	10.2	10.1	10.3	10.5	10.8	10.6	10.8	11.0	11.3	11.0	11.2	11.5	11.8	11.5	11.7	12.0	12.3
RPM	1140		HI PR	188	202	213	222	213	229	242	253	243	261	276	288	273	294	311	324	302	325	343	358
PTCR	NONE	85	LO PR	65	70	76	81	68	72	79	84	71	76	83	88	75	80	87	93	77	82	89	96
Hi Press	420-300		MBh	33.7	34.3	35.9	38.3	32.9	33.5	35.1	37.4	32.1	32.7	34.2	36.5	30.5	31.0	32.5	34.7	28.2	28.8	30.1	32.1
Low Press	37031	S/T	1.00	0.96	0.87	0.71	1.00	0.99	0.89	0.72	1.00	1.00	0.92	0.75	1.00	1.00	0.96	0.78	1.00	1.00	0.96	0.78	
Time Delay	30S OR 3MIN	85	AMPS	9.6	9.8	10.0	10.2	10.2	10.3	10.6	10.8	10.6	10.8	11.1	11.4	11.1	11.3	11.6	11.9	11.6	11.8	12.1	12.4
Operating Chg (25 Ft Lines)*	(R-22 Oz) 202		HI PR	189	204	215	224	215	232	245	255	245	264	279	291	276	297	314	327	305	328	346	361
Service Driers		85	LO PR	66	70	77	82	69	73	80	85	72	77	84	89	76	80	88	94	78	83	91	97
Liquid/Chg Suction	30 Cu In / 17 oz 30 Sq In		MBh	33.1	33.8	36.1	38.6	32.3	33.0	35.3	37.7	31.5	32.2	34.4	36.8	29.9	30.6	32.7	34.9	27.7	28.3	30.3	32.4

Calculated averaged performance data, for service applications for all matches.
For applications where rated performance data is required refer to the Expanded Ratings Tables.

Part No:
113647

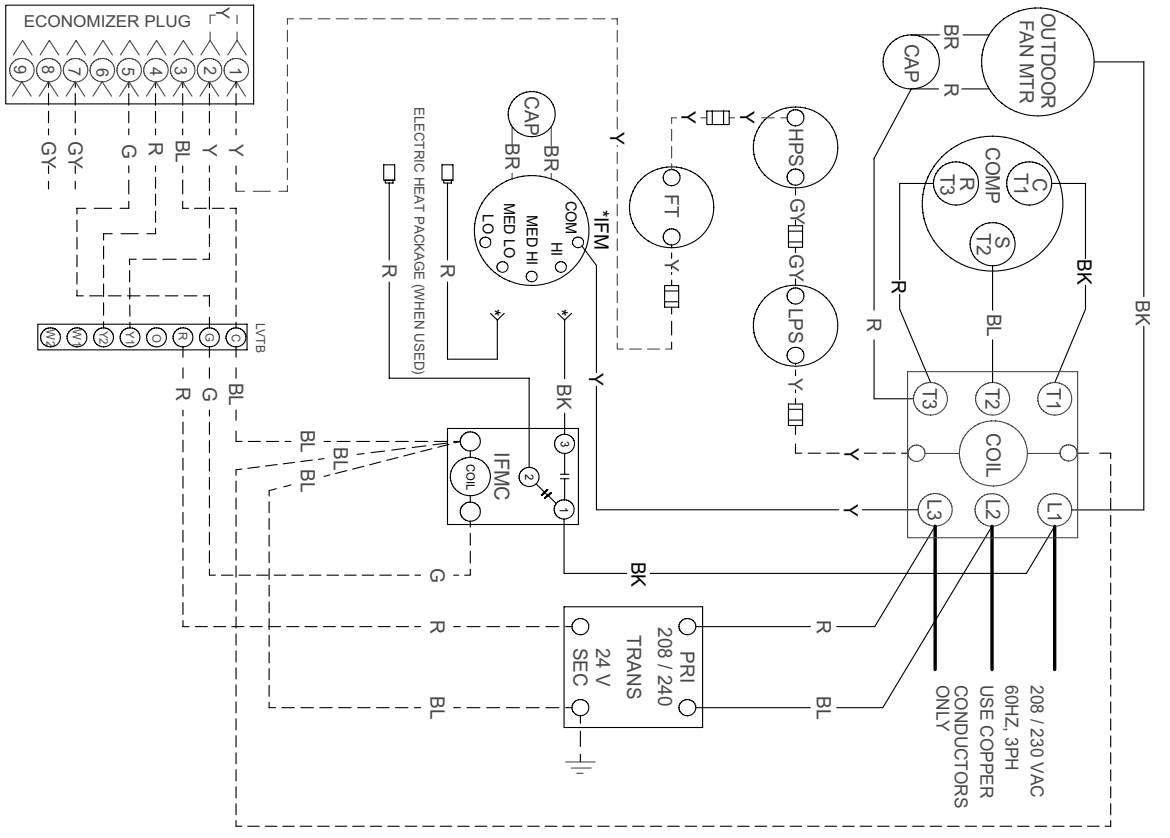
*Add or Subtract (Oz per Ft) for Lines: .25oz -1/4 Liq., .45oz- 5/16 Liq., .60oz - 3/8 Liq, 1.2 oz - 1/2 Liq

Style No:	PAE/APE060H	Outdoor Ambient Temperature - Degrees F. Dry Bulb																												
		75				85				95				105				115												
Voltage	208/230	Phase	3	Ampacity	24.1	Entering Indoor Temperature - Degrees F. Wet Bulb																								
						IDB	59	63	67	71	59	63	67	71	59	63	67	71	59	63	67	71	59	63	67	71				
Min. Fuse	35	Max. Fuse	45	Compressor	SCROLL	70	MBh	32.0	33.1	36.3	-	31.2	32.3	35.4	-	30.4	31.6	34.6	-	28.9	30.0	32.8	-	26.8	27.8	30.4	-			
							S/T	0.76	0.64	0.44	-	0.78	0.65	0.45	-	0.81	0.68	0.47	-	0.84	0.70	0.49	-	0.85	0.71	0.49	-			
							AMPS	9.5	9.6	9.8	-	10.0	10.2	10.4	-	10.4	10.6	10.9	-	10.9	11.1	11.3	-	11.3	11.5	11.8	-			
							HI PR	184	198	209	-	209	225	237	-	238	256	270	-	268	288	304	-	296	318	336	-			
							LO PR	64	68	75	-	67	71	77	-	70	75	81	-	73	78	85	-	76	81	88	-			
Compressor	SCROLL	75	MBh	32.5	33.5	36.2	38.9	31.7	32.7	35.4	38.0	31.0	31.9	34.5	37.0	29.4	30.3	32.8	35.2	27.2	28.1	30.4	32.6							
			S/T	0.87	0.78	0.59	0.38	0.89	0.80	0.60	0.39	0.92	0.82	0.62	0.40	0.95	0.85	0.65	0.42	0.96	0.86	0.65	0.42							
			AMPS	9.5	9.7	9.9	10.1	10.1	10.2	10.4	10.7	10.5	10.7	10.9	11.2	11.0	11.2	11.4	11.7	11.4	11.6	11.9	12.2							
			HI PR	186	200	211	220	211	227	240	250	240	259	273	285	271	291	307	321	299	322	340	354							
			LO PR	65	69	75	80	67	72	78	83	71	75	82	88	74	79	86	92	77	82	89	95							
Fan	208/230	Voltage	1.8	FLA	6.42	LRA	1140	RPM	1140	MBh	33.1	33.8	36.1	38.6	32.3	33.0	35.3	37.7	31.5	32.2	34.4	36.8	29.9	30.6	32.7	34.9	27.7	28.3	30.3	32.4
										S/T	0.95	0.89	0.73	0.54	0.98	0.92	0.75	0.56	1.00	0.95	0.77	0.58	1.00	0.98	0.80	0.60	1.00	0.99	0.81	0.60
										AMPS	9.6	9.7	9.9	10.2	10.1	10.3	10.5	10.8	10.6	10.8	11.0	11.3	11.0	11.2	11.5	11.8	11.5	11.7	12.0	12.3
										HI PR	188	202	213	222	213	229	242	253	243	261	276	288	273	294	311	324	302	325	343	358
										LO PR	65	70	76	81	68	72	79	84	71	76	83	88	75	80	87	93	77	82	90	96
PTCR	NONE	Hi Press	420-300	Low Press	37031	Time Delay	30S OR 3MIN	MBh	33.7	34.3	35.9	38.3	32.9	33.5	35.1	37.4	32.1	32.7	34.2	36.5	30.5	31.0	32.5	34.7	28.2	28.8	30.1	32.1		
								S/T	1.00	0.96	0.87	0.71	1.00	0.99	0.89	0.72	1.00	1.00	0.92	0.75	1.00	1.00	0.96	0.78	1.00	1.00	0.96	0.78		
								AMPS	9.6	9.8	10.0	10.2	10.2	10.3	10.6	10.8	10.6	10.8	11.1	11.4	11.1	11.3	11.6	11.9	11.6	11.8	12.1	12.4		
								HI PR	189	204	215	224	215	232	245	255	245	264	279	291	276	297	314	327	305	328	346	361		
								LO PR	66	70	77	82	69	73	80	85	72	77	84	89	76	80	88	94	78	83	91	97		
Operating Chg (25 Ft Lines)*	(R-22 Oz)	202	Calculated averaged performance data, for service applications for all matches. For applications where rated performance data is required refer to the Expanded Ratings Tables.																											
Service Driers																														
Liquid/Chg	30 Cu In / 17 oz																													
Suction	30 Sq In																			Part No:	1113649									

Style No:	PAE/APE060L	Outdoor Ambient Temperature - Degrees F. Dry Bulb																												
		75				85				95				105				115												
Voltage	460	Phase	3	Ampacity	14.1	Entering Indoor Temperature - Degrees F. Wet Bulb																								
						IDB	59	63	67	71	59	63	67	71	59	63	67	71	59	63	67	71	59	63	67	71				
Min. Fuse	20	Max. Fuse	20	Compressor	SCROLL	70	MBh	32.0	33.1	36.3	-	31.2	32.3	35.4	-	30.4	31.6	34.6	-	28.9	30.0	32.8	-	26.8	27.8	30.4	-			
							S/T	0.76	0.64	0.44	-	0.78	0.65	0.45	-	0.81	0.68	0.47	-	0.84	0.70	0.49	-	0.85	0.71	0.49	-			
							AMPS	9.5	9.6	9.8	-	10.0	10.2	10.4	-	10.4	10.6	10.9	-	10.9	11.1	11.3	-	11.3	11.5	11.8	-			
							HI PR	184	198	209	-	209	225	237	-	238	256	270	-	268	288	304	-	296	318	336	-			
							LO PR	64	68	75	-	67	71	77	-	70	75	81	-	73	78	85	-	76	81	88	-			
Compressor	SCROLL	75	MBh	32.5	33.5	36.2	38.9	31.7	32.7	35.4	38.0	31.0	31.9	34.5	37.0	29.4	30.3	32.8	35.2	27.2	28.1	30.4	32.6							
			S/T	0.87	0.78	0.59	0.38	0.89	0.80	0.60	0.39	0.92	0.82	0.62	0.40	0.95	0.85	0.65	0.42	0.96	0.86	0.65	0.42							
			AMPS	9.5	9.7	9.9	10.1	10.1	10.2	10.4	10.7	10.5	10.7	10.9	11.2	11.0	11.2	11.4	11.7	11.4	11.6	11.9	12.2							
			HI PR	186	200	211	220	211	227	240	250	240	259	273	285	271	291	307	321	299	322	340	354							
			LO PR	65	69	75	80	67	72	78	83	71	75	82	88	74	79	86	92	77	82	89	95							
Fan	460	Voltage	0.8	FLA	3.4	LRA	1140	RPM	1140	MBh	33.1	33.8	36.1	38.6	32.3	33.0	35.3	37.7	31.5	32.2	34.4	36.8	29.9	30.6	32.7	34.9	27.7	28.3	30.3	32.4
										S/T	0.95	0.89	0.73	0.54	0.98	0.92	0.75	0.56	1.00	0.95	0.77	0.58	1.00	0.98	0.80	0.60	1.00	0.99	0.81	0.60
										AMPS	9.6	9.7	9.9	10.2	10.1	10.3	10.5	10.8	10.6	10.8	11.0	11.3	11.0	11.2	11.5	11.8	11.5	11.7	12.0	12.3
										HI PR	188	202	213	222	213	229	242	253	243	261	276	288	273	294	311	324	302	325	343	358
										LO PR	65	70	76	81	68	72	79	84	71	76	83	88	75	80	87	93	77	82	90	96
PTCR	NONE	Hi Press	420-300	Low Press	37031	Time Delay	30S OR 3MIN	MBh	33.7	34.3	35.9	38.3	32.9	33.5	35.1	37.4	32.1	32.7	34.2	36.5	30.5	31.0	32.5	34.7	28.2	28.8	30.1	32.1		
								S/T	1.00	0.96	0.87	0.71	1.00	0.99	0.89	0.72	1.00	1.00	0.92	0.75	1.00	1.00	0.96	0.78	1.00	1.00	0.96	0.78		
								AMPS	9.6	9.8	10.0	10.2	10.2	10.3	10.6	10.8	10.6	10.8	11.1	11.4	11.1	11.3	11.6	11.9	11.6	11.8	12.1	12.4		
								HI PR	189	204	215	224	215	232	245	255	245	264	279	291	276	297	314	327	305	328	346	361		
								LO PR	66	70	77	82	69	73	80	85	72	77	84	89	76	80	88	94	78	83	91	97		
Operating Chg (25 Ft Lines)*	(R-22 Oz)	202	Calculated averaged performance data, for service applications for all matches. For applications where rated performance data is required refer to the Expanded Ratings Tables.																											
Service Driers																														
Liquid/Chg	30 Cu In / 17 oz																													
Suction	30 Sq In																			Part No:	1113650									

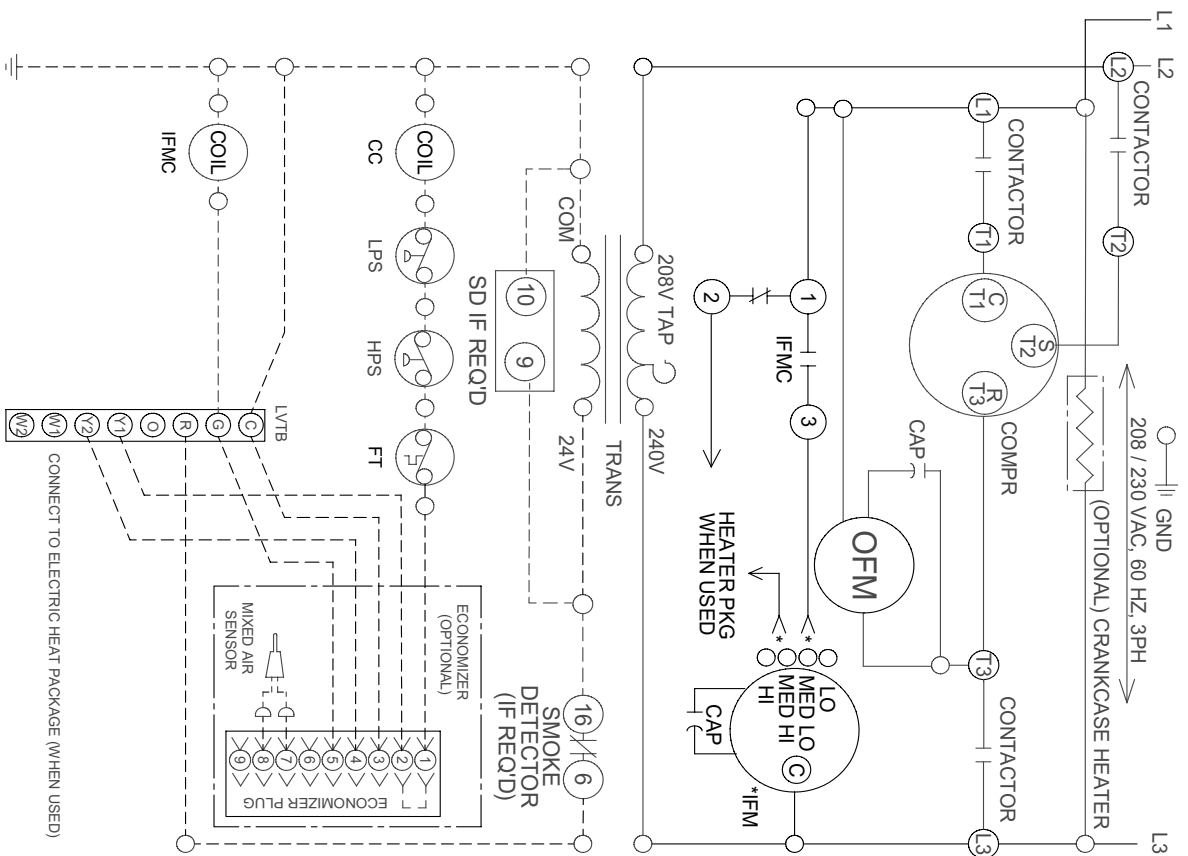
CONNECTION WIRING DIAGRAM

DANGER: ELECTRICAL SHOCK HAZARD DISCONNECT POWER BEFORE SERVICING



LADDER WIRING DIAGRAM

DANGER: ELECTRICAL SHOCK HAZARD DISCONNECT POWER BEFORE SERVICING

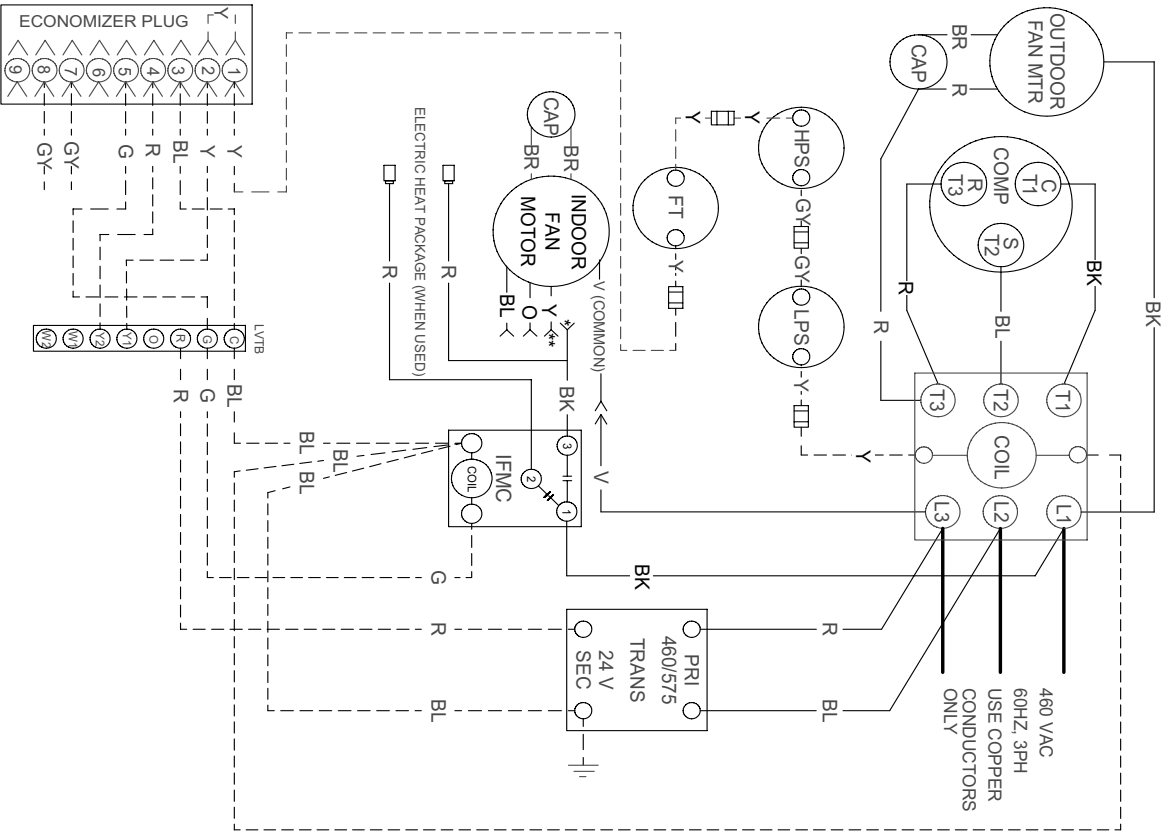


208 / 230 VOLT

460 VOLT

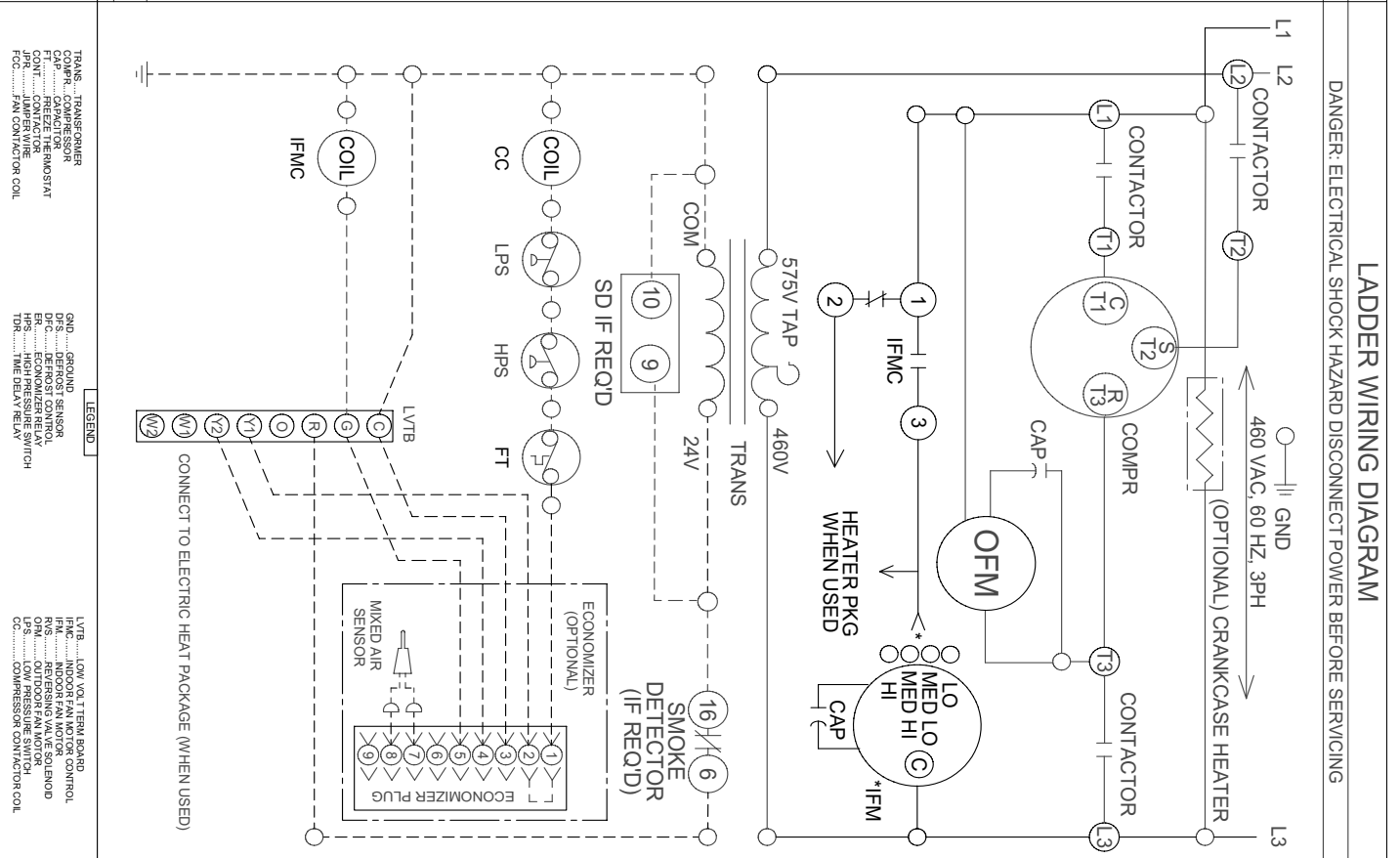
CONNECTION WIRING DIAGRAM

DANGER: ELECTRICAL SHOCK HAZARD DISCONNECT POWER BEFORE SERVICING



IF ANY OF THE ORIGINAL WIRE AS SUPPLIED WITH THE APPLIANCE MUST BE REPLACED, IT MUST BE REPLACED WITH THE SAME TYPE AND/OR ITS EQUIVALENT.
*SEE INSTALLATION INSTRUCTIONS FOR PROPER HEATING AND COOLING CONNECTIONS FOR YOUR UNIT

LINE VOLTAGE FACTORY	LINE VOLTAGE FIELD	LOW VOLTAGE FACTORY	LOW VOLTAGE FIELD
---	---	---	---



TRANSFORMER	COMPRESSOR	CAPACITOR	INDUCTOR	CONTACTOR	WIRE	CONNECTION	COIL
TRNS	COMP	CAP	IND	CONT	WIR	CON	COL

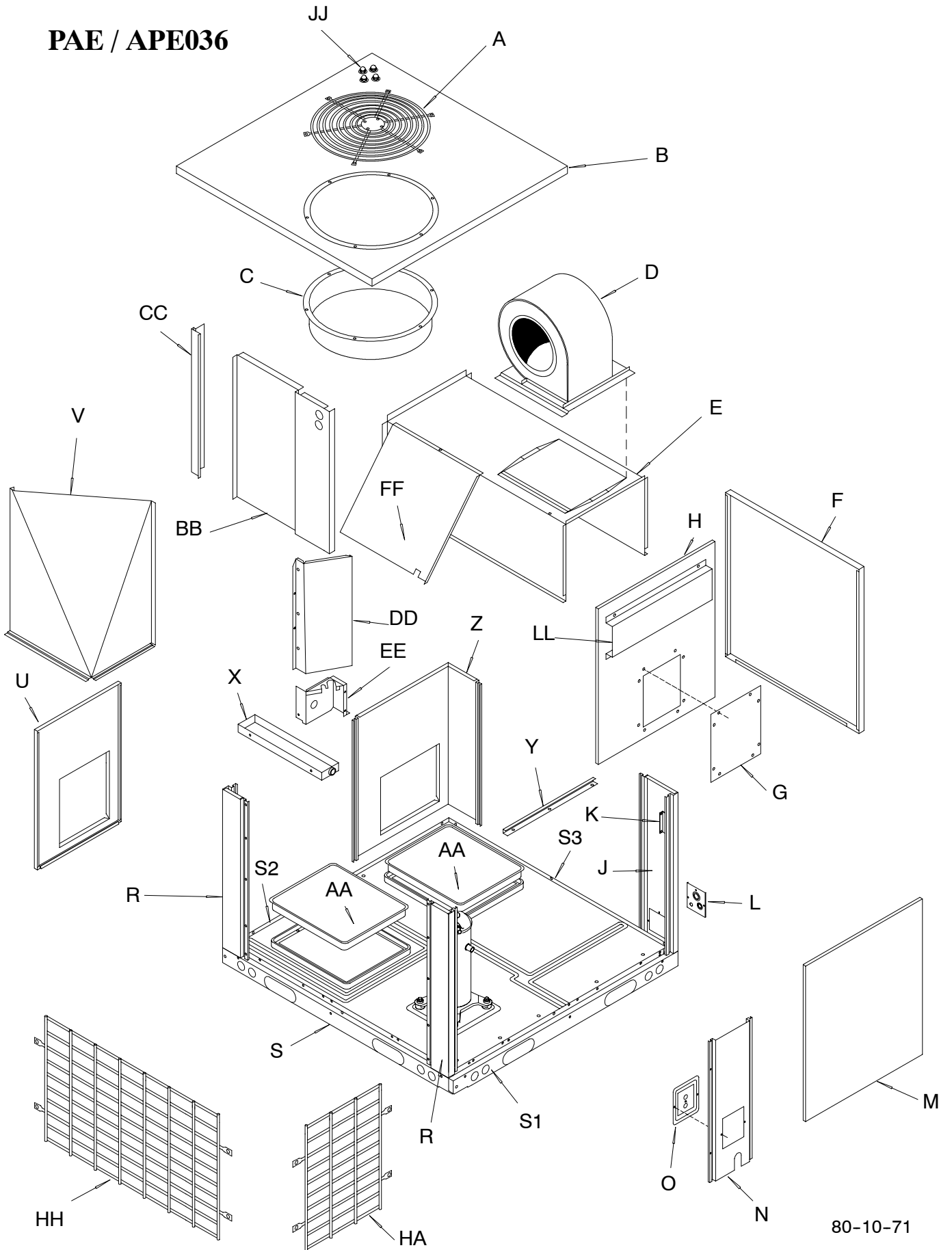
LEGEND	GROUND	INDOOR FAN MOTOR CONTROL	DEFROST SENSOR	DEFROST CONTROL	ECONOMIZER RELAY	HIGH PRESSURE SWITCH	LOW PRESSURE SWITCH
---	---	---	---	---	---	---	---

KEY NO.	DESCRIPTION	PART NUMBER	PAE036H00AA	PAE036L00AA	PAE036L00AA	PAE048H00AA	PAE048L00AA	PAE060H00AA	PAE060L00AA
			APE036H00AA	APE036L00AA	APE048H00AA	APE048L00AA	APE060H00AA	APE060L00AA	
1	Compressor With Plug Connections	ZR34K3TF5130	1						
1	Compressor With Plug Connections	ZR34K3TFD130	*	1					
1	Compressor With Plug Connections	ZR46K3TF5130	*	*	1				
1	Compressor With Plug Connections	ZR46K3TFD130	*	*	*	1			
1	Compressor With Plug Connections	ZR57K3TF5130	*	*	*	*	1		
1	Compressor With Plug Connections	ZR57K3TFD130	*	*	*	*	*	1	
2	Motor, Condenser Fan 230 Volt, 1/3 HP	1085926	1						
2	430 Volt, 1/3 HP	1098088	*	1					
2	230 Volt, 1/2 HP	1098504	*	*	1		1		
2	460 Volt, 1/2 HP	1098507	*	*	*	1	*	1	
3	Fan, Condenser	1099656	1	1					
3		1080795	*	*	1	1	1	1	
5	Coil, Condenser	1082228	1	1					
5		1066920	*	*	1	1	1	1	
6	Capacitor, 7.5Mfd.,370 Volt	1094239	1	1					
6	20Mfd.,440 Volt	1094968	*	*	1	1	1	1	
7	Mount, Blower Motor Kit	1004905	1	1					
7		1002804	*	*	1	1	1	1	
8	Motor, Blower 230 Volt, 1/2 HP	1054583	1						
8	460 Volt, 1/2 HP	1113191	*	1					
8	230 Volt, 1 HP	1065129	*	*	1		1		
8	460 Volt, 1 HP	1113219	*	*	*	1		1	
9	Wheel, Blower 10-8DD 1/2" Bore	600587	1	1					
9	11-11DD 5/8" Bore	1054593	*	*	1	1	1	1	
11	Coil, Evaporator	1114016	1	1					
11		1067438	*	*	1	1	1	1	
15	Transformer, 230 Volt, 65 VA	1054637	1		1		1		
15	Transformer, 460 Volt, 65 VA	1054638	*	1		1		1	
19	Lug, Ground	91590	1	1	1	1	1	1	
20	Board, Terminal	1066159	1	1	1	1	1	1	
24	Contact	607339	1	1	1	1	1	1	
27	Grommet, Compressor Mounting	1052060	4	4	4	4	4	4	
30	Distributor	1065884	1	1					
30		1063219	*	*	1	1	1	1	
31	Valve, Expansion	1082238	1	1					
31		1066926	*	*	1	1			
31		1066901	*	*	*	*	1	1	
36	Capacitor, Cond Fan Motor 5 Mfd., 370 Volt	1094954	1	1					
36	7.5 Mfd., 370 Volt	1094239	*	*	1	1	1	1	
41	Port Asy,Valve	1096263	1	1	1	1	1	1	
42	Relay, SPDT	92840	1	1	1	1	1	1	
43	Manifold, Included with Condenser Coil								
44	Switch, Low Pressure	1096252	1	1	1	1	1	1	
45	Drier, Filter	713894	1	1	1	1	1	1	
46	Switch, High Pressure	1096251	1	1	1	1	1	1	
48	Manifold Asy, Evap. Included with Evap Coil								
51	Tube, Drain	1069172	1	1					
52	Plug, Compressor Harness	1083811	1	1					
52		1083935	*	*	1	1	1	1	

KEY NO.	DESCRIPTION	PART NUMBER	PAE036H00AA	APE036H00AA	PAE036L00AA	APE036L00AA	PAE048H00AA	APE048H00AA	PAE048L00AA	APE048L00AA	PAE060H00AA	APE060H00AA	PAE060L00AA	APE060L00AA
53	Control, Freeze Stat	1098701	1	1	1	1	1	1	1	1	1	1	1	1
55	Filter Air 18x24x2	1096258	1	1										
55	Filter Air 20x30x2	1054503	*	*	2	2	2	2	2	2	2	2	2	2
A	Grille, Condenser Fan	1084490	1	1										
A		1064542	*	*	1	1	1	1	1	1	1	1	1	1
AA	Cover, Duct	1068159	2	2										
AA		1068158	*	*	2	2	2	2	2	2	2	2	2	2
B	Panel, Top	1068191	1	1										
B		1068157	*	*	1	1	1	1	1	1	1	1	1	1
BB	Partition, Heat/Cool	1066331	1	1										
C	Orifice, Condenser Fan	1065724	1	1										
C		1065725	*	*	1	1	1	1	1	1	1	1	1	1
CC	Bracket, Supply Air	1054524	1	1										
CC		1054525	*	*	1	1	1	1	1	1	1	1	1	1
D	Housing, Blower	1099402	1	1										
D		1099238	*	*	1	1	1	1	1	1	1	1	1	1
DD	Cover, Evaporator Top	1066332	1	1										
E	Deck, Blower	1065949	1	1										
E		1065948	*	*	1	1	1	1	1	1	1	1	1	1
EE	Cover, Evaporator Bottom	1066333	1	1										
F	Panel, Blower Access	1068180	1	1										
F		1068181	*	*	1	1	1	1	1	1	1	1	1	1
FF	Baffle, Evaporator Blower	1066409	1	1										
FF		1054522	*	*	1	1	1	1	1	1	1	1	1	1
G	Plate, Block Off	1066107	1	1	1	1	1	1	1	1	1	1	1	1
H	Panel, Divison	1065942	1	1										
H		1065943	*	*	1	1	1	1	1	1	1	1	1	1
HA	Grille, Inlet Side (Front)	1064544	1	1										
HA		1064545	*	*	1	1	1	1	1	1	1	1	1	1
HB	Grille, Inlet Side (Rear)	1064546	*	*	1	1	1	1	1	1	1	1	1	1
HH	Grille, Inlet End	1064543	1	1										
HH		1064547	*	*	1	1	1	1	1	1	1	1	1	1
J	Post, Electrical Corner	1068192	1	1										
J		1068193	*	*	1	1	1	1	1	1	1	1	1	1
JJ	Nut, Cap	1067902	4	4	4	4	4	4	4	4	4	4	4	4
K	Bracket, Low Voltage Terminal Board Mounting	1066106	1	1	1	1	1	1	1	1	1	1	1	1
KK	Baffle, Air	1066364	*	*	1	1	1	1	1	1	1	1	1	1
L	Plate, Conduit	1068179	1	1	1	1	1	1	1	1	1	1	1	1
LL	Plate, Control Mounting	1066168	1	1	1	1	1	1	1	1	1	1	1	1
M	Panel, Electrical Access	1068185	1	1										
M		1068186	*	*	1	1	1	1	1	1	1	1	1	1
MM	Bracket, Filter Top	1065618	*	*	1	1	1	1	1	1	1	1	1	1
N	Panel, Pressure Port	1068182	1	1										
N		1068164	*	*	1	1	1	1	1	1	1	1	1	1
NN	Support, Filter Top	1054502	*	*	1	1	1	1	1	1	1	1	1	1
O	Plate, Pressure Port	1068189	1	1	1	1	1	1	1	1	1	1	1	1
OO	Panel, Coil Support	1098509	*	*	1	1	1	1	1	1	1	1	1	1
PP	Panel, Heating Area	1098508	*	*	1	1	1	1	1	1	1	1	1	1
QQ	Baffle, Coil	1082435	*	*	1	1	1	1	1	1	1	1	1	1

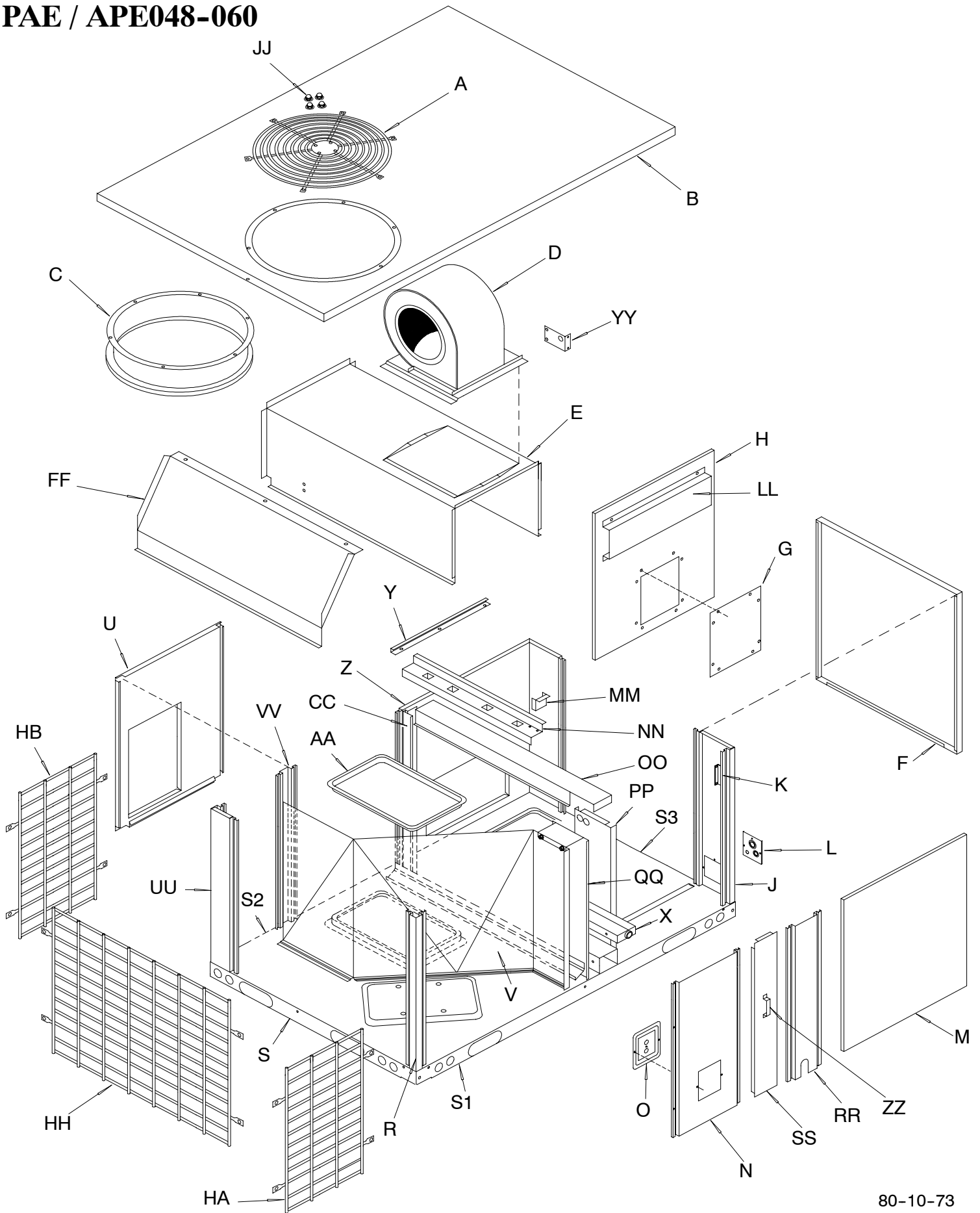
KEY NO.	DESCRIPTION	PART NUMBER	PAE036H00AA	APE036H00AA	PAE036L00AA	APE036L00AA	PAE048H00AA	APE048H00AA	PAE048L00AA	APE048L00AA	PAE060H00AA	APE060H00AA	PAE060L00AA	APE060L00AA
R	Post, Return Air Corner	1068167	2		2									
R		1068168	*		*	1	1	1	1					
RR	Panel, Drain Outlet	1068162	*		*	1	1	1	1					
S	Rail, Base	1113559	1		1									
S		1065001	*		*	1	1	1	1					
S1		1065001	1		1									
S1		1084078	*		*	1	1	1	1					
S2		1065001	1		1									
S2		1054464	*		*	1	1	1	1					
S3		1113559	1		1	1	1	1	1					
SS	Panel, Filter Access	1068175	*		*	1	1	1	1					
U	Panel, Return Air	1068166	1		1									
U		1068160	*		*	1	1	1	1					
UU	Post, Return Air	1068172	*		*	1	1	1	1					
V	Partition, Return Air	1065033	1		1									
V		1054471	*		*	1	1	1	1					
WW	Clamp, Capacitor	1095020	1		1									
WW		1095022	*		*	1	1	1	1					
VV	Post, Center	1068163	*		*	1	1	1	1					
X	Pan, Drain	1065795	1		1									
X		1113589	*		*	1	1	1	1					
XX	Panel, Cutoff	95143	1		1									
XX		1065073	*		*	1	1	1	1					
Y	Bracket, Evaporator	1099106	1		1									
Y		1098999	*		*	1	1	1	1					
YY	Bracket, Blower Support	1065030	*		*	1	1	1	1					
Z	Panel, Supply Air	1068165	1		1									
Z		1068161	*		*	1	1	1	1					
ZZ	Handle, Filter Access Door	1068209	*		*	1	1	1	1					
)(Retainer, Filter Slide	1054517				1	1	1	1					
)(Bracket, Filter	1096249	1		1									
)(Bracket, Filter	1096248	1		1									
)(Coupling Male	1054625	*		*	1	1	1	1					
)(Manual, Parts List	513041701**	1		1	1	1	1	1					
)(Manual, Installation	513011701**	1		1	1	1	1	1					

PAE / APE036

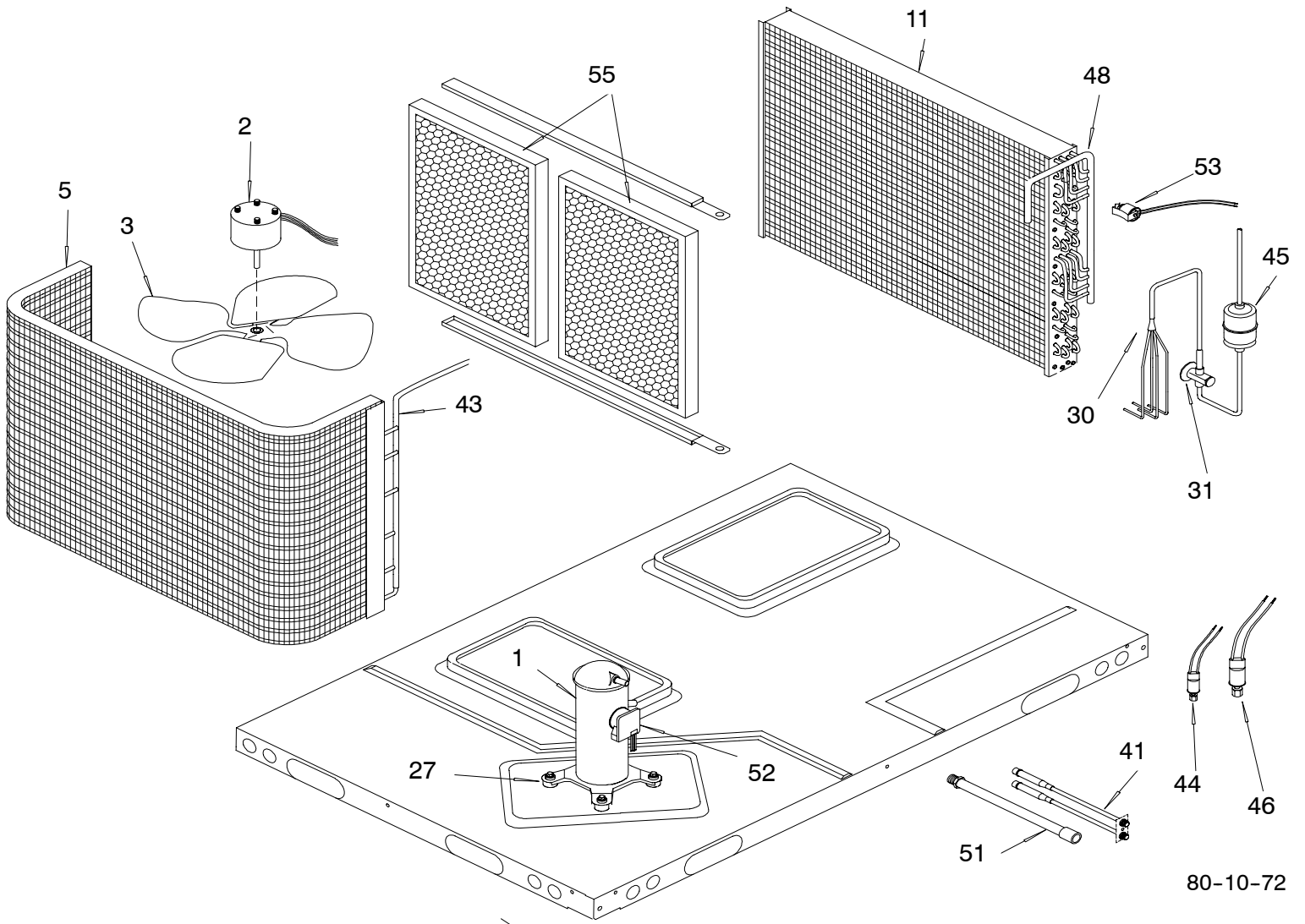


80-10-71

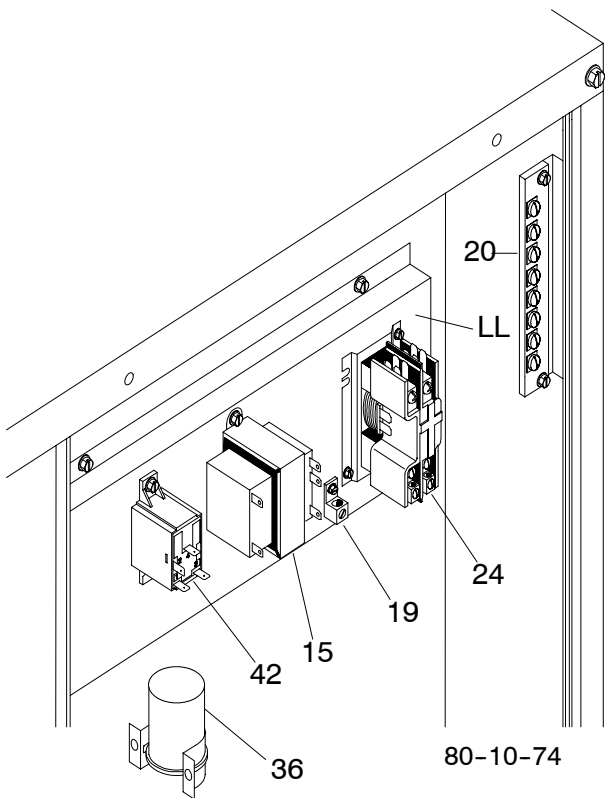
PAE / APE048-060



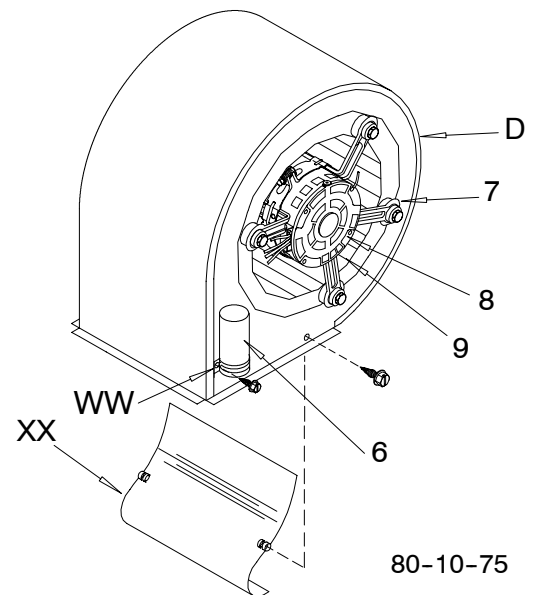
80-10-73



80-10-72



80-10-74



80-10-75