

FAN COIL MEDIA CLEANER

AHIC Media Cabinet

EFFICIENCY

- Minimum Efficiency Reporting Value as specified by ASHRAE is MERV 8

EASY FILTER ACCESS

- AHIC media cabinet allows easy filter access on fan coil system

IMPROVED INDOOR AIR QUALITY (IAQ)

- When used with high efficiency FAIC filter, the AHIC media cabinet provides improved IAQ

TROUBLE FREE INSTALLATION

- No electricity required

NEARLY MAINTENANCE FREE OPERATION

- Only maintenance required is replacing media filter cartridge when needed (before each heating or cooling season)

FAIC Media Filter Cartridge

EFFICIENCY

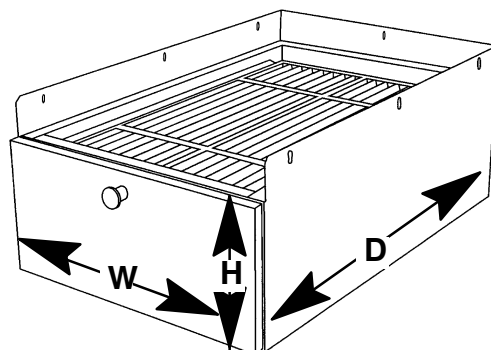
- Minimum Efficiency Reporting Value as specified by ASHRAE is MERV 8, minimum of 70% particle collection efficiency in the 3-10micron particle size.

LARGE DUST HOLDING CAPACITY

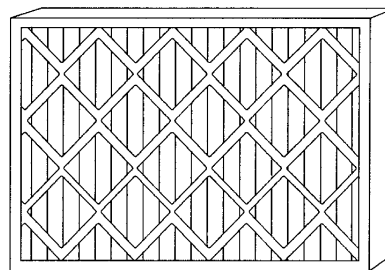
- Filters accommodate between 13 and 25 sq. ft. of filter media into a low-pressure drop design - providing large dust holding capacities
- Large surface area traps dust, pollen, molds, tobacco smoke, grease, soot, bacteria, and animal dander to provide cleaner, fresher air

EXCEPTIONAL SYSTEM PERFORMANCE

- For optimum system performance use the AHIC with FAIC high efficiency media.



AHIC



FAIC

Representative drawing only, some models may vary in appearance.

Model Number	CFM	Dimensions H x W x D in. (mm)
AHIC0014A	900	7.008 x 14.293 x 22.143 (178 x 363 x 562)
AHIC0017A	1350	7.008 x 17.620 x 22.143 (178 x 448 x 562)
AHIC0021A	2000	7.008 x 21.124 x 22.143 (178 x 537 x 562)
AHIC0024A	2200	7.008 x 24.620 x 22.143 (178 x 625 x 562)
Model Number	CFM	Dimensions H x W x D in. (mm)
FAIC0014A	13.05 sq.ft.	19.8125 x 12.175 x 4.3125 (503 x 309 x 110)
FAIC0017A	17.8 sq. ft.	19.8125 x 15.625 x 4.3125 (503 x 397 x 110)
FAIC0021A	20.17 sq. ft.	19.8125 x 19.125 x 4.3125 (503 x 486 x 110)
FAIC0024A	24.9 sq. ft.	19.8125 x 22.625 x 4.3125 (503 x 5.75 x 110)

MODEL NUMBER IDENTIFICATION GUIDE				
MODEL NUMBER	AHIC	0	014	A
PRODUCT FAMILY				Series
AHIC = Fan Coil Media Cabinet				CFM
FAIC = Fan Coil Media Filter Cartridge				014 = 900, 017 = 1350
NO VOLTAGE				021 = 2000, 024 = 2200

FAIC PHYSICAL DATA				
MODEL NUMBER	FAIC0014A	FAIC0017A	FAIC0014A	FAIC0017A
Rated Airflow Range	900 CFM	1350 CFM	2000 CFM	2200 CFM
Minimum Efficiency Reporting Value (MERV)	8	8	8	8
Dust Holding Capacity (grams)	68	90	105	130
Atmospheric Dust Spot Efficiency	41	41	41	41
Typical Static Pressure Drop (in wc) (Clean@rated airflow)	.20	.23	.28	.25
Filter Media	Polyolefin			
Shipping Weight (2 pack)	5 lb	6 lb	6-1/2 lb	7 lb

PLEATED MEDIA FILTER	EFFICIENCY ¹	
14 in. (FAIC0014A)	E1:	24.4%
	E2:	55.4%
	E3:	70.9%
17 in. (FAIC0017A)	E1:	24.4%
	E2:	55.4%
	E3:	70.9%
21 in. (FAIC0021A)	E1:	24.4%
	E2:	55.4%
	E3:	70.9%
24 in. (FAIC0024A)	E1:	24.4%
	E2:	55.4%
	E3:	70.9%

Notes:

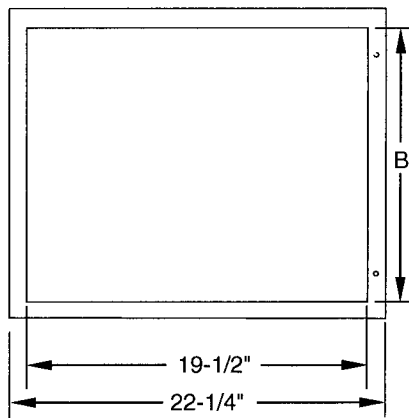
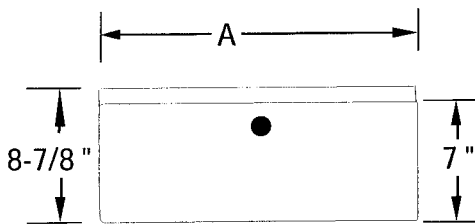
- Minimum Efficiency Reporting Value (MERV) per ASHRAE 52.2 (Exceeds proposed ASHRAE 62.2p requirement for manufacturers to provide a filter with a MERV rating of at least 6.)
 E1: MINIMUM Average Efficiency for particles sized between 0.3 and 1 micron.
 E2: MINIMUM Average Efficiency for particles sized between 1 and 3 microns.
 E3: MINIMUM Average Efficiency for particles sized between 3 and 10 microns.
- At 0.5-in. pressure drop and 500FPM per ASHRAE 52.1.

REPLACEMENT FAIC FILTERS		
MODEL NUMBER	Media Area (Gross)	Dimensions (in.) Tolerance +/-0.125"
FAIC0014A	13.05 sq. ft.	19.8125 x 12.175 x 4.3125
FAIC0017A	17.8 sq. ft.	19.8125 x 15.625 x 4.3125
FAIC0021A	20.17 sq. ft.	19.8125 x 19.125 x 4.3125
FAIC0024A	24.9 sq. ft.	19.8125 x 22.625 x 4.3125

PRESSURE DROP AT VARIOUS AIRFLOWS (CLEAN)					
SIZE	Typical Factory Supplied Filter	FAIC0014A	FAIC0017A	FAIC0021A	FAIC0024A
Airflow (CFM)	Resistance (inches of water) (Clean Filter)*				
600	.044	.125	.060	.040	.015
800	.075	.150	.090	.060	.030
1000	.072	.250	.125	.070	.040
1200	.100	-	.180	.090	.060
1400	.092	-	.250	.140	.090
1600	.120	-	-	.187	.125
1800	.152	-	-	.230	.150
2000	.187	-	-	.280	.190
2200	-	-	-	-	.250

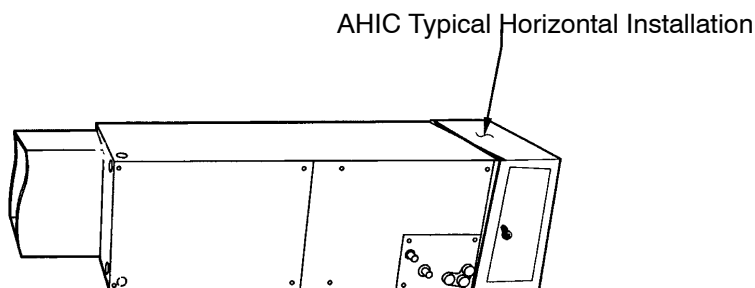
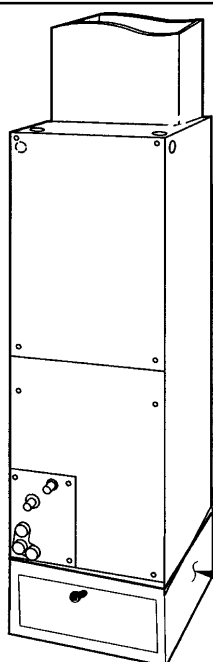
* Pressure drop tested with complete AHIC cabinet and FAIC filter.

AHIC DIMENSIONS



Media Filter Cabinet	Opening A	Opening B
AHIC0014A	14-5/16"	11"
AHIC0017A	17-5/8"	14-11/32"
AHIC0021A	21-1/8"	17-7/8"
AHIC0024A	24-5/8"	21-11/32"

Typical Installations



Typical Vertical Upflow Installation

AHIC can also be configured in a Vertical Downflow Installation. Fan Coil Unit must be reconfigured so the air cleaner is on the return side of the fan coil and blower compartment.

