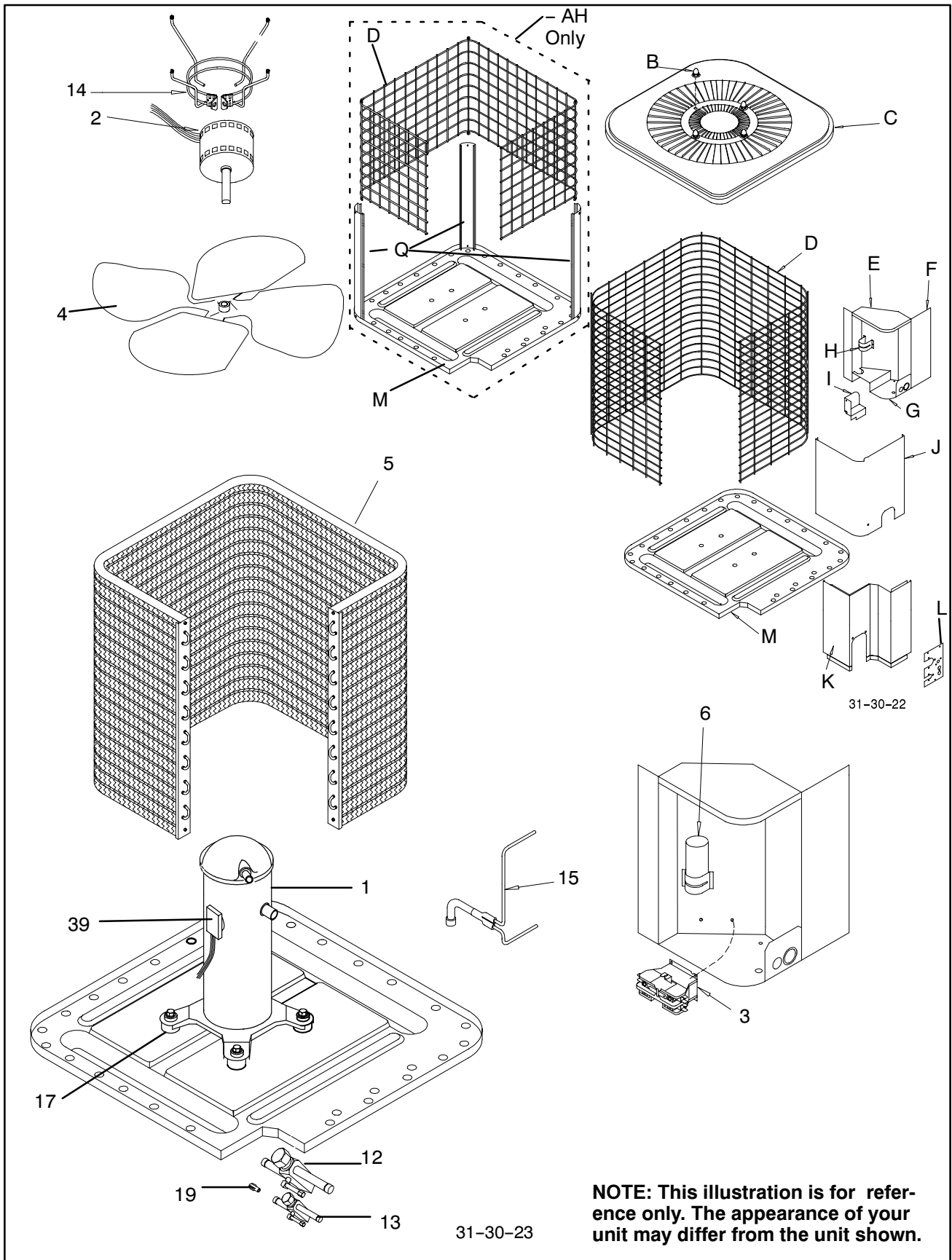


# Replacement Parts – CA90\*\*VKD & AH\*\*\*GA Series



# Replacement Parts - CA90\*\*VKD & AH\*\*\*GA Series

**Models** - CA9018VKD2, CA9024VKD2, CA9030VKD2, CA9036VKD3, CA9042VKD2, CA9048VKD2, CA9060VKD2  
 AH018GA2, AH024GA2, AH030GA2, AH036GA3, AH042GA2, AH048GA2, AH060GA2

#	DESCRIPTION	PART NUMBER	18	24	30	36	42	48	60
1	COMPRESSOR, ZR16KCPFV	1080975	1						
1	ZR22K3PFV	1082755	*	1					
1	ZR28K3PFV	1082756	*	*	1				
1	ZR34K3PFV	1081881	*	*	*	1			
1	ZR40K3PFV	1083000	*	*	*	*	1		
1	ZR46K3PFV	1083018	*	*	*	*	*	1	
1	ZR57K3PFV	1083019	*	*	*	*	*	*	1
2	MOTOR, FAN	1082639	1	1	1				
2		1082642	*	*	*	1			
2		1052820	*	*	*	*	1	1	1
3	CONTACTOR 25AMP	1050699	1	1	1	1	1		
3	35AMP	1050839	*	*	*	*	*	1	
3	40AMP	1059574	*	*	*	*	*	*	1
4	FAN	1080771	1						
4		1080775	*	1					
4		1080796	*	*	1				
4		1080777	*	*	*	1			
4		1053345	*	*	*	*	1	1	1
5	CONDENSER	1082566	1						
5		1082752	*	1					
5		1082751	*	*	1				
5		1082571	*	*	*	1			
5		1083004	*	*	*	*	1		
5		1083009	*	*	*	*	*	1	
5		1083010	*	*	*	*	*	*	1
6	CAPACITOR, 30+3 MFD,370V	1082631	1						
6	40+3 MFD,440V	1082637	*	1					
6	45+3MFD,440V	1082771	*	*	1				
6	50+5MFD,370V	1094993	*	*	*	1			
6	55+5MFD,370V	1068556	*	*	*	*	1		
6	60+5MFD,370V	1095025	*	*	*	*	*	1	
6	80+5MFD,370V	1149996	*	*	*	*	*	*	1
12	VALVE, SERVICE SUCTION	1080995	1	1	1				
12		1063718	*	*	*	1			
12		1068791	*	*	*	*	1		
12		1063720	*	*	*	*	*	1	
12		1080997	*	*	*	*	*	*	1
13	VALVE, SERVICE LIQUID	1080999	1	1	1	1			
13		1081000	*	*	*	*	1	1	1
14	MOUNT, FAN MTR (CA ONLY)	1051460	*	*	*	1			
14		1052968	*	*	*	*	1	1	1
15	DISTRIBUTOR ASSEMBLY	1082522	*	1	1				
15		1082560	*	*	*	1		1	
15		1083003	*	*	*	*	1		
15		1083202	*	*	*	*	*	*	1
16	MANIFOLD	1083205	*	*	*	*	*	*	1
17	GROMMET, COMPRESSOR	1052060	4	4	4	4	4	4	4
19	RESTRICTOR .051	1053110	1						
19	.059	1055236	*	1					
19	.066	1062387	*	*	1				
19	.070	1053644	*	*	*	1			
19	.079	1053661	*	*	*	*	1		
19	.082	1092222	*	*	*	*	*	1	
19	.090	1053663	*	*	*	*	*	*	1
39	PLUG ASY, COMPRESSOR	1081940	1	1	1	1	1	1	1

#	DESCRIPTION	PART NUMBER	18	24	30	36	42	48	60
A	GRILLE, OUTLET	1084613	*	*	*	*	1	1	1
A	(AH ONLY)	1068202	*	*	*	1			
B	NUT, CAP	1052962	4	4	4				
B	(CA ONLY)	1052963	*	*	*	4			
B	(AH ONLY)	1053248	*	*	*	*	4	4	4
B	(AH ONLY)	1052962	*	*	*	4			
C	PANEL, TOP (CA ONLY)	1084556	1	1	1				
C	(CA ONLY)	1084559	*	*	*	1			
C		1084560	*	*	*	*	1	1	1
C	PANEL, TOP (AH ONLY)	1084557	1	1	1				
C	(AH ONLY)	1084558	*	*	*	1			
D	GRILLE, INLET (CA ONLY)	1084586	1	1					
D	(CA ONLY)	1084593	*	*	1				
D	(CA ONLY)	1084600	*	*	*	1			
D		1084609	*	*	*	*	1		
D		1084607	*	*	*	*	*	1	
D		1084610	*	*	*	*	*	*	1
D	(AH ONLY)	1084588	1	1					
D	(AH ONLY)	1084590	*	*	1				
D	(AH ONLY)	1084605	*	*	*	1			
E	TOP, CONTROL BOX	1064781	1	1	1				
E		1064362	*	*	*	1	1	1	1
F	BOX, CONTROL	1052677	1	1	1				
F		1052678	*	*	*	1	1	1	1
G	BOTTOM, CONTROL BOX	1052888	1	1	1				
G		1064364	*	*	*	1	1	1	1
H	CLAMP, CAPACITOR	1095021	1						
H		1064218	* 1	1	1	1	1	1	1
I	DIVIDER, LOW VOLTAGE	1051297	1	1	1	1	1	1	1
J	COVER, CTRL BOX	1084563	1	1	1				
J		1084564	*	*	*	1	1	1	1
K	PANEL, CORNER	1084565	1	1					
K		1084567	*	*	1				
K		1084576	*	*	*	1		1	
K		1084572	*	*	*	*	1		
K		1084577	*	*	*	*	*	*	1
L	PLATE, FITTING	1052849	1	1	1	1	1	1	
L		1081007	*	*	*	*	*	*	1
M	BASEPAN (CA ONLY)	1084550	1	1	1				
M	(CA ONLY)	1084552	*	*	*	1			
M		1084555	*	*	*	*	1	1	1
M	(AH ONLY)	1084551	1	1	1				
M	(AH ONLY)	1084553	*	*	*	1			
N	PANEL ACCESS	1084615	*	*	*	*	1		
N		1084618	*	*	*	*	*	1	
N		1084619	*	*	*	*	*	*	1
Q	POST, CORNER (AH ONLY)	1084582	3	3					
Q	(AH ONLY)	1084583	*	*	3				
Q	(AH ONLY)	1084585	*	*	*	3			
S	PLATE, VALVE MOUNTING	1081008	*	*	*	*	*	*	1
)	( PARTS LIST	42104900500	1	1	1	1	1	1	1
)	( MANUAL, INSTALLATION	42101110200	1	1	1	1	1	1	1
)	( MANUAL, USERS	42102110200	1	1	1	1	1	1	1