



# R4A3

## Product Specifications

### EFFICIENT 13 SEER AIR CONDITIONER ENVIRONMENTALLY SOUND R-410A REFRIGERANT

1- 1/2 THRU 5 TONS SPLIT SYSTEM

208/230 Volt, 1-phase, 60 Hz

#### REFRIGERATION CIRCUIT

- Scroll compressors on all models
- Copper tube / aluminum fin coil

#### EASY TO INSTALL AND SERVICE

- Easy Access service valves on all models
- External high and low refrigerant service ports
- Only two screws to access control panel
- Factory charged with R- 410A refrigerant

#### BUILT TO LAST

- Pre- painted cabinet finish over galvanized steel
- Models available with coated inlet grille with 2" (51mm) spacing or with 3/8" (10mm) spacing for extra protection

#### LIMITED WARRANTY\*

- 5 year compressor limited warranty
- 5 year parts limited warranty (including compressor and coil)
  - With timely registration, an additional 5 year parts limited warranty (including compressor and coil)
- \* For residential applications only. See warranty certificate for complete details and restrictions, including warranty coverage for other applications.



Use of the AHRI Certified TM Mark indicates a manufacturer's participation in the program. For verification of certification for individual products, go to [www.ahridirectory.org](http://www.ahridirectory.org).

Model Number	Size (tons)	Nominal BTU/hr	Min. Circuit Ampacity	Max. Fuse or Breaker	Operating Dimensions length x width x height in. (mm)	Ship / Operating Weight lbs.(kg)
R4A318AKF R4A318GKF	1- 1/2	18,000	11.8	20	24- 13/16 x 23- 1/8 x 23- 1/8 (630 x 587 x 587)	120 / 104 (54 / 47)
R4A324AKN R4A324GKN	2	24,000	17.6	25	24- 13/16 x 23- 1/8 x 23- 1/8 (630 x 587 x 587)	133 / 127 (58 / 50)
R4A330AKN R4A330GKN	2- 1/2	30,000	16.8	25	28- 7/16 x 23- 1/8 x 23- 1/8 (722 x 587 x 587)	130 / 114 (59 / 52)
R4A336AKN R4A336GKN	3	36,000	19.0	30	35- 13/16 x 23- 1/8 x 23- 1/8 (894 x 587 x 587)	147 / 133 (67 / 61)
R4A342AKN R4A342GKN	3- 1/2	42,000	23.5	40	31- 13/16 x 31- 3/16 x 31- 3/16 (808 x 792 x 792)	186 / 172 (85 / 78)
R4A348AKN R4A348GKN	4	48,000	26.2	40	35- 13/16 x 31- 3/16 x 31- 3/16 (894 x 792 x 792)	197 / 183 (90 / 83)
R4A360AKN R4A360GKN	5	60,000	34.4	50	28- 7/16 x 31- 3/16 x 31- 3/16 (722 x 792 x 792)	218 / 203 (99 / 92)

<b>OUTDOOR UNIT MODEL NUMBER IDENTIFICATION GUIDE (single phase)</b>											
Digit Position:	1	2	3	4	5, 6	7	8	9	10	11	12
Example Part Number:	<b>R</b>	<b>4</b>	<b>A</b>	<b>3</b>	<b>24</b>	<b>A</b>	<b>K</b>	<b>N</b>	<b>2</b>	<b>0</b>	<b>0</b>
Product Family		<b>REFRIGERANT</b>									
4 = R- 410A											
A = Air Conditioner											
H = Heat Pump		<b>TYPE</b>									
3 = 13 SEER				<b>NOMINAL EFFICIENCY</b>							
18 = 18,000 BTUH = 1- 1/2 tons											
24 = 24,000 BTUH = 2 tons											
30 = 30,000 BTUH = 2- 1/2 tons											
36 = 36,000 BTUH = 3 tons											
42 = 42,000 BTUH = 3- 1/2 tons											
48 = 48,000 BTUH = 4 tons											
60 = 60,000 BTUH = 5 tons				<b>NOMINAL CAPACITY</b>							
A = Standard Grille											
G = Coil Guard Grille						<b>FEATURES</b>					
K = 208/230- 1- 60										<b>VOLTAGE</b>	
Sales Code											
Engineering Revision											
Extra Digit											
Extra Digit											

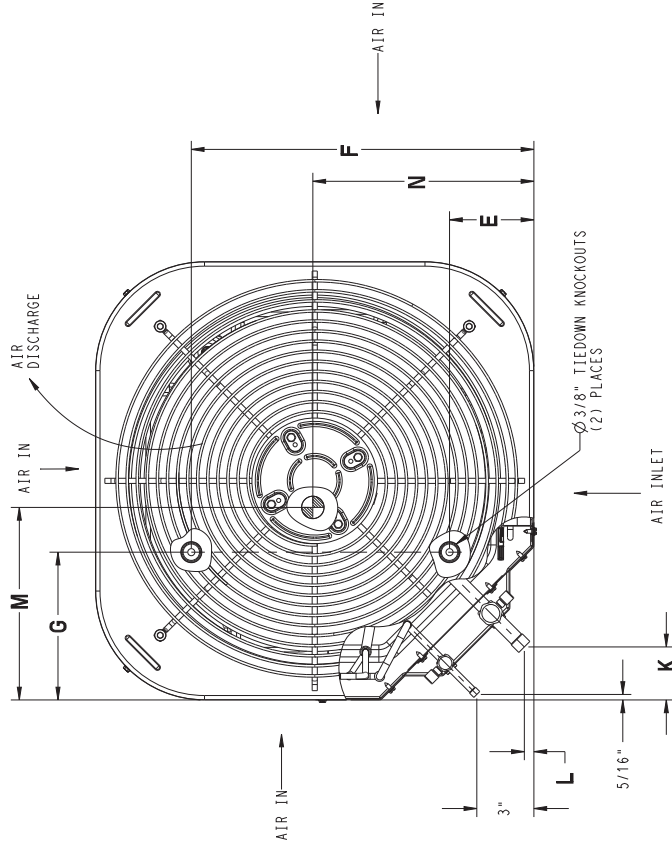
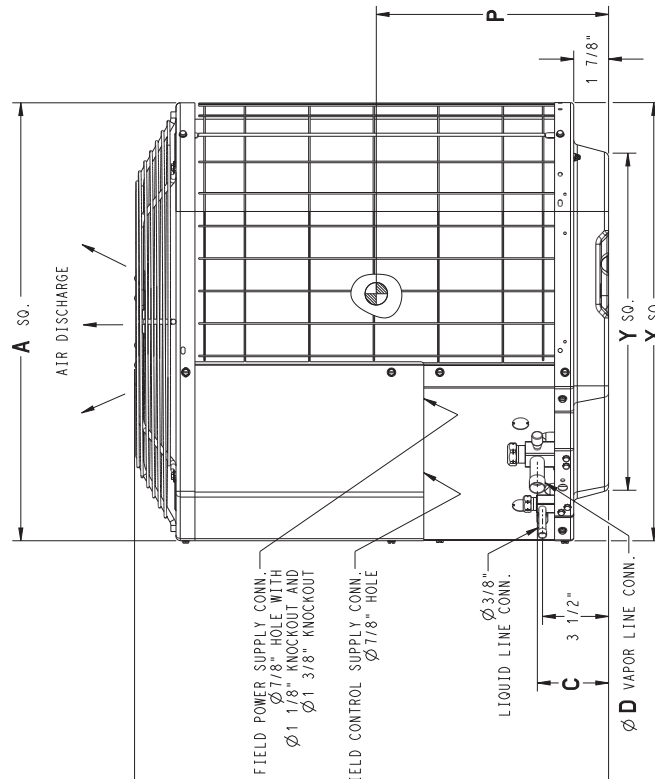
<b>ACCESSORIES PART NUMBER IDENTIFICATION GUIDE</b>									
Digit Position:	1	2	3	4	5	6, 7	8, 9	10, 11	
Example Part Number:	<b>N</b>	<b>A</b>	<b>S</b>	<b>A</b>	<b>0</b>	<b>01</b>	<b>01</b>	<b>CH</b>	
N = Non- Branded		<b>BRANDING</b>							
A = Accessory		<b>PRODUCT GROUP</b>							
S = Split System (AC & HP)				<b>KIT USAGE</b>					
A = Original									
B = 2nd Generation				<b>MAJOR SERIES</b>					
0 = Generic or Not Applicable									
2 = R- 22									
4 = R- 410A						<b>REFRIGERANT</b>			
Product Identifier Number									
Package Quantity									
Type of Kit (Example: CH = Crankcase Heater)									

UNIT	SERIES	ELECTRICAL CHARACTERISTICS	A	B	C	D	E	F	G	K	L	M	N	P	OPERATING WEIGHT (LBS)	SHIPPING WEIGHT (LBS)	SHIPPING DIMENSIONS (L x W x H)
R4A318*KN	1	X 0 0 0	23 1/8"	24 13/16"	3 3/4"	3/4"	4 7/16"	18 1/16"	7 13/16"	7 13/16"	1/2"	12"	11 3/4"	11 7/8"	104	120	24 1/8" X 24 1/8" X 27 3/16"
R4A324*KN	2	X 0 0 0	23 1/8"	24 13/16"	3 3/4"	3/4"	4 7/16"	18 1/16"	7 13/16"	7 13/16"	1/2"	12"	11 3/4"	11 7/8"	107	123	24 1/8" X 24 1/8" X 27 3/16"
R4A330*KN	2	X 0 0 0	23 1/8"	28 7/16"	3 3/4"	3/4"	4 7/16"	18 1/16"	7 13/16"	2 13/16"	1/2"	12"	11 3/4"	12 1/2"	110	126	24 1/8" X 24 1/8" X 30 5/8"
R4A336*KN	1	X 0 0 0	23 1/8"	35 3/16"	3 7/8"	7/8"	6 9/16"	18 1/16"	7 13/16"	2 13/16"	1/2"	12"	11 3/4"	13 3/4"	128	142	24 1/8" X 24 1/8" X 37 7/16"
R4A342*KN	2	X 0 0 0	31 3/16"	31 13/16"	3 7/8"	7/8"	6 9/16"	24 11/16"	9 1/8"	2 15/16"	5/8"	16"	15 1/2"	13 3/4"	164	178	32 3/16" X 32 3/16" X 34"
R4A348*KN	1	X 0 0 0	31 3/16"	35 3/16"	3 7/8"	7/8"	6 9/16"	24 11/16"	9 1/8"	2 15/16"	5/8"	16"	15 1/2"	15 1/2"	174	187	32 3/16" X 32 3/16" X 37 7/16"
R4A360*KN	1	X 0 0 0	31 3/16"	28 7/16"	3 7/8"	7/8"	6 9/16"	24 11/16"	9 1/8"	2 15/16"	5/8"	16"	15 1/2"	12 3/4"	195	210	32 3/16" X 32 3/16" X 30 5/8"

X = YES  
O = NO

NOTES:

1. ALLOW 30" CLEARANCE TO SERVICE SIDE OF UNIT, 48" ABOVE UNIT, 6" ON ONE SIDE, 12" ON REMAINING SIDE, AND 24" BETWEEN UNITS FOR PROPER AIRFLOW.
2. MINIMUM OUTDOOR OPERATING AMBIENT IN COOLING MODE IS 55°F, MAX. 125°F.
3. SERIES DESIGNATION IS THE 10TH POSITION OF THE UNIT MODEL NUMBER.
4. CENTER OF GRAVITY
5. ALL DIMENSIONS ARE IN "INCHES" UNLESS NOTED.



**MEASUREMENT - ENGLISH**  
U.S. EXPORT CLASSIFICATION: EAR99

UNIT SIZE	"X" MIN GROUND MOUNTING PAD APPLICATION DIMENSIONS	"Y" MIN ROOF-TOP MOUNTING PAD APPLICATION DIMENSIONS
18, 24, 30, 36	23 1/8"	17 3/4"
-	25 3/4"	20 7/16"
42, 48, 60	31 3/16"	23"
-	35"	26 3/4"


PART NUMBER	SD5041-4	SHT	REV
NET SHEET	2	1	K

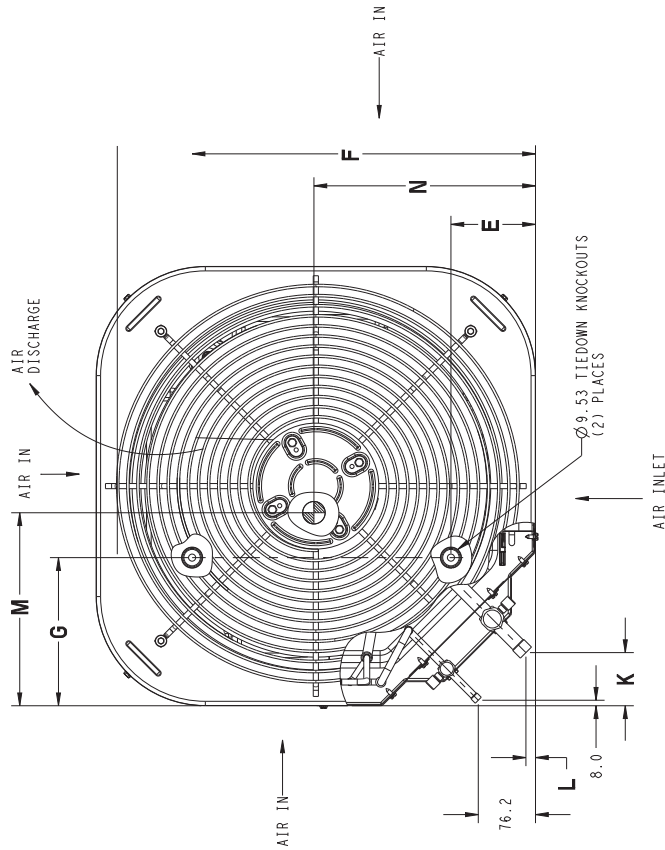
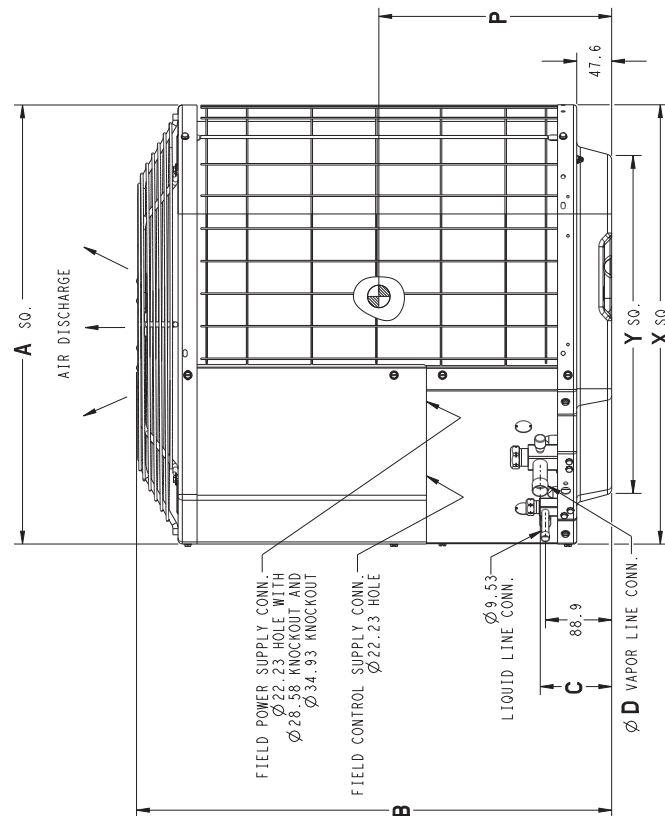
UNIT	SERIES	ELECTRICAL CHARACTERISTICS	A	B	C	D	E	F	G	K	L	M	N	P	OPERATING WEIGHT (Kgs)	SHIPPING WEIGHT (Kgs)	SHIPPING DIMENSIONS (L x W x H)
R4A318*KN	1	X 0 0	587.4	630.2	95.2	19.0	112.7	458.8	198.4	71.4	12.7	304.8	298.4	301.6	47.2	54.4	612.8 X 612.8 X 690.6
R4A324*KN	2	X 0 0	587.4	630.2	95.2	19.0	112.7	458.8	198.4	71.4	12.7	304.8	298.4	301.6	48.5	55.8	612.8 X 612.8 X 690.6
R4A330*KN	2	X 0 0	587.4	722.3	95.2	19.0	112.7	458.8	198.4	71.4	12.7	304.8	298.4	317.5	49.9	57.2	612.8 X 612.8 X 777.9
R4A336*KN	1	X 0 0	587.4	893.8	98.4	22.2	166.7	458.8	198.4	71.4	12.7	304.8	298.4	349.2	58.2	64.5	612.8 X 612.8 X 950.9
R4A342*KN	2	X 0 0	792.2	808.0	98.4	22.2	166.7	627.1	231.8	74.6	15.9	406.4	393.7	349.2	74.4	80.9	817.6 X 817.6 X 863.6
R4A348*KN	1	X 0 0	792.2	893.8	98.4	22.2	166.7	627.1	231.8	74.6	15.9	406.4	393.7	393.7	79.1	85.0	817.6 X 817.6 X 950.9
R4A360*KN	1	X 0 0	792.2	722.3	98.4	22.2	166.7	627.1	231.8	74.6	15.9	406.4	393.7	323.8	88.5	95.5	817.6 X 817.6 X 777.9

X = YES  
0 = NO

208-230-160	230-160	208/230-3-60	460-3-60
-------------	---------	--------------	----------

NOTES:

- ALLOW 762.0 CLEARANCE TO SERVICE SIDE OF UNIT. 1219.2 ABOVE UNIT. 152.4 ON ONE SIDE. 304.8 ON REMAINING SIDE. AND 609.6 BETWEEN UNITS FOR PROPER AIRFLOW.
- MINIMUM OUTDOOR OPERATING AMBIENT IN COOLING MODE IS 13°C, MAX. 52°C.
- SERIES DESIGNATION IS THE 10TH POSITION OF THE UNIT MODEL NUMBER.
- CENTER OF GRAVITY 
- ALL DIMENSIONS ARE IN "MM" UNLESS NOTED.



UNIT SIZE	X" MIN GROUND MOUNTING PAD APPLICATION DIMENSIONS	Y" MIN ROOF-TOP MOUNTING PAD APPLICATION DIMENSIONS
18,24,30,36	587.4	451.3
-	654.0	518.5
42,48,60	792.2	583.2
-	869.0	679.7

MEASUREMENT- METRIC "SI"  
U.S. EXPORT CLASSIFICATION: EAR99

PART NUMBER	REV	SHEET	DATE
SD5041-4		2	
NET SHEET	NOTE		

PHYSICAL DATA							
Model Size	18	24	30	36	42	48	60
Nominal Cooling Capacity (BTU/hr)	18,000	24,000	30,000	36,000	42,000	48,000	60,000
Nominal SEER	13.0	13.0	13.0	13.0	13.0	13.0	13.0
PSC Fan Motor HP	1/12	1/10	1/10	1/4	1/5	1/4	1/4
Fan RPM (single speed)	1100	1100	1100	1100	1100	1100	1100
Fan CFM	1700	2000	2000	2500	3100	3400	3400
Coil Face Area ft <sup>2</sup> (m <sup>2</sup> )	8.40 (.78)	8.40 (.78)	9.80 (.91)	12.60 (1.17)	17.30 (1.61)	19.29 (1.79)	15.00 (1.39)
Coil Rows - fins per inch	1 - 20	1 - 25	1 - 25	1 - 25	1 - 25	1 - 25	2 - 20
Liquid Line Connection Size in. (mm)	3/8 (10)	3/8 (10)	3/8 (10)	3/8 (10)	3/8 (10)	3/8 (10)	3/8 (10)
Vapor Line Connection Size in. (mm)	3/4 (19)	3/4 (19)	3/4 (19)	7/8 (22)	7/8 (22)	7/8 (22)	7/8 (22)
Recommended Line Set Liquid Tube Diameter in. (mm)	3/8 (10)	3/8 (10)	3/8 (10)	3/8 (10)	3/8 (10)	3/8 (10)	3/8 (10)
Recommended Line Set Vapor Tube Diameter in. (mm)	3/4 (19)*	3/4 (19)	3/4 (19)*	7/8 (22)*	7/8 (22)*	1-1/8 (29)*	1-1/8 (29)*
* Recommended Vapor Tube Line size is for standard installations. These recommendations may not apply to "Long Line" installations. Consult the Long Line Application Guideline document before purchasing/installing line sets.							
Factory Charge R-410A lbs. (kg)	3.15 (1.43)	3.15 (1.43)	3.63 (1.65)	4.67 (2.12)	6.07 (2.75)	7.00 (3.18)	8.00 (3.63)
Required Subcooling °F (°C)	14 (7.8)	10 (6)	10 (6)	10 (6)	10 (6)	10 (6)	10 (6)

ELECTRICAL DATA (208/230-1-60, voltage range 197V - 253V)							
Model Size	18	24	30	36	42	48	60
Minimum Circuit Ampacity - <b>MCA</b> (amps)	11.8	17.6	16.8	19.0	23.5	26.2	34.4
Maximum OverCurrent Protective device - <b>MOCP</b> (amps)	20	25	25	30	40	40	50
Compressor <b>RLA</b> (Rated Load Amps) <b>LRA</b> (Locked Rotor Amps)	9.0 47.5	13.5 58.3	12.8 64.0	14.1 77.0	17.9 112.0	19.9 109.0	26.4 134.0
Fan Motor <b>FLA</b> (Full Load Amps)	.50	.77	.77	1.4	1.1	1.4	1.4

**R4A3 SOUND RATINGS**

A-Weighted Sound Power Level - Without Sound Shield

Model	Standard Rating (dBA)	Typical Octave Band Spectrum (dBA without pure tone adjustment)						
		125	250	500	1000	2000	4000	8000
R4A318(A,G)KF	71	64	62	63	68	64	62	57
R4A324(A,G)KN	73	50.5	61	67	68	65	60	55.5
R4A330(A,G)KN	72	52	61.5	65.5	66.5	64.5	59.5	54.5
R4A336(A,G)KN	75	57	61.5	68.5	70	67	62.5	54
R4A342(A,G)KN	75	56	64.5	69.5	71	66	64	59
R4A348(A,G)KN	76	54	63	69.5	71.5	70	66	58.5
R4A360(A,G)KN	79	57.5	67	72	75	72.5	68	61

Note: Tested in accordance with AHRI Standard 270-2008 (not listed in AHRI).

A-Weighted Sound Power Level - With Sound Shield

Model	Standard Rating (dBA)	Typical Octave Band Spectrum (dBA without pure tone adjustment)						
		125	250	500	1000	2000	4000	8000
R4A318(A,G)KF	70	66	64	64	67	63	60	54
R4A324(A,G)KN	73	53	62	67.5	68	65	60	53.5
R4A330(A,G)KN	71	54	61.5	65.5	66	63.5	58.5	52
R4A336(A,G)KN	74	57	61.5	67.5	70	66.5	62.5	56
R4A342(A,G)KN	74	55.5	64	69	69.5	65.5	63.5	57.5
R4A348(A,G)KN	76	55	63	69.5	71	68.5	65	58
R4A360(A,G)KN	79	57.5	68	72.5	74.5	72.5	68	60.5

Note: Tested in accordance with AHRI Standard 270-2008 (not listed in AHRI).

R-410A COOLING CAPACITY LOSS FOR VARIOUS LINE LENGTHS & TUBE DIAMETERS													
Model Size	Liquid Line in. (mm)	Acceptable Vapor Line Sizes in. (mm)	Cooling Capacity Loss (%) at Total Equivalent Line Length, feet (m) Refer to Long Line Application Guideline to calculate equivalent length										
			Standard Application			Long Line Application (Requires Accessories)							
			25' (7.6)	50' (15.2)	80' (24.4)	81' (24.7)	100' (30.5)	125' (38.1)	150' (45.7)	175' (53.3)	200' (61)	225' (68.6)	250' (76.2)
18	3/8 (10)	1/2 (13)	1	2	3	3	4	6	7	8	9	10	12
		5/8 (16)	0	0	1	1	1	1	2	2	3	3	3
		3/4 (19)	0	0	0	0	0	1	1	1	1	1	1
24		5/8 (16)	0	1	1	1	2	3	3	4	4	5	6
		3/4 (19)	0	0	0	0	0	1	1	1	1	1	2
		7/8 (22)	0	0	0	0	0	0	0	0	0	0	1
30		5/8 (16)	1	2	3	3	3	4	5	6	7	8	9
		3/4 (19)	0	0	1	1	1	1	2	2	2	3	3
		7/8 (22)	0	0	0	0	0	1	1	1	1	1	1
36		5/8 (16)	1	2	4	4	5	6	7	9	10	11	13
		3/4 (19)	0	0	1	1	1	2	2	3	3	4	4
		7/8 (22)	0	0	0	0	0	1	1	1	1	2	2
42	3/4 (19)	0	1	2	2	2	3	4	4	5	6	6	
	7/8 (22)	0	0	1	1	1	1	2	2	2	3	3	
	1-1/8 (29)	0	0	0	0	0	0	0	0	0	0	1	
48	3/4 (19)	0	1	2	2	3	4	5	5	6	7	8	
	7/8 (22)	0	0	1	1	1	2	2	2	3	3	4	
	1-1/8 (29)	0	0	0	0	0	0	0	0	1	1	1	
60	3/4 (19)	1	2	4	4	5	6	7	9	10	11	12	
	7/8 (22)	0	1	2	2	2	3	4	4	5	5	6	
	1-1/8 (29)	0	0	0	0	1	1	1	1	1	1	2	

Consult the Long Line Application Guideline document before purchasing/installing line sets.

Applications in shaded area may have height restrictions that limit allowable total equivalent length when outdoor unit is below indoor unit.

**COOLING PERFORMANCE FOR COMBINATION RATINGS Indoor Models**

For complete ratings information, use the AHRI website directory search: [www.AHRIdirectory.org](http://www.AHRIdirectory.org).  
New ratings may be listed online before Specification Sheets are updated.

MODEL	INDOOR MODEL	AHRI STANDARD RATINGS					
		Cooling 95° F (35° C)					
		CAPACITY BTU/hr	Factory Installed	SEER			EER
STANDARD	TDR			Piston			
R4A318(A,G)KF	EN*4X24L14A*	17,800	TXV		13.00		11.00
R4A324(A,G)KN	EA*4X24L14A*	23,000	TXV		13.00		10.90
R4A330(A,G)KN	EA*4X30L14A*	27200	TXV		13.00		10.90
R4A336(A,G)KN	EA*4X48*21A*	34,000	TXV		13.00		10.90
R4A342(A,G)KN	EA*4X42L21A*	41000	TXV		13.00		11.00
R4A348(A,G)KN	EA*4X48*21A*	45,500	TXV		13.00		11.00
R4A360(A,G)KN	EA*4X60*24A*	57,500	TXV		13.00		11.00

\*Tested Combination

EER – Energy Efficiency Ratio

SEER – Seasonal Energy Efficiency Ratio

TDR - Time delay Relay

TXV – Thermostatic Expansion Valve

Ratings are net values reflecting the effects of circulating fan motor heat. Supplemental electric heat is not included.

Tested outdoor/indoor combinations have been tested in accordance with DOE test procedures for central air conditioners. Ratings for other combinations are determined under DOE computer simulation procedures.

Determine actual CFM values obtainable for your system by referring to fan performance data in fan coil or furnace literature.

**TESTED AHRI COMBINATION RATINGS\***

NOTE: Ratings contained in this document are subject to change at any time.

For AHRI ratings certificates, please refer to the AHRI directory. [www.ahridirectory.org](http://www.ahridirectory.org)

Additional ratings and system combinations can be accessed via the Maratherm database:

<http://www.icpeqp.com/AHRIratings/ratings.aspx?Brand=Maratherm>

Or scan this QR code:



**EXPANDED COOLING PERFORMANCE RATINGS For Outdoor / Indoor Models**

For complete ratings information, use the AHRI website directory search: [www.AHRIdirectory.org](http://www.AHRIdirectory.org).  
New ratings may be listed online before Specification Sheets are updated.

**R4A318\*KF Outdoor Section With EN\*4X24L14A\* Indoor Section**

EVAP AIR		CONDENSER ENTERING AIR TEMPERATURES deg F																							
		75				85				95				105				115				125			
		Capacity MBtuh		Total System KW	Capacity MBtuh		Total System KW	Capacity MBtuh		Total System KW	Capacity MBtuh		Total System KW	Capacity MBtuh		Total System KW	Capacity MBtuh		Total System KW	Capacity MBtuh		Total System KW			
CFM	EWB	Total	Sens		Total	Sens		Total	Sens		Total	Sens		Total	Sens		Total	Sens		Total	Sens		Total	Sens	
525	57	17.47	17.47	1.30	16.77	16.77	1.44	16.08	16.08	1.60	15.34	15.34	1.79	14.56	14.56	2.02	13.64	13.64	2.27						
	62	17.76	16.72	1.29	16.97	16.34	1.44	16.16	15.93	1.60	15.36	15.36	1.79	14.58	14.58	2.02	13.66	13.66	2.26						
	63	18.04	16.20	1.29	17.23	15.83	1.44	16.39	15.44	1.60	15.49	15.02	1.79	14.60	14.56	2.02	13.66	13.66	2.26						
	67	19.33	14.06	1.28	18.52	13.17	1.43	17.62	13.36	1.60	16.64	12.96	1.79	15.65	12.56	2.02	14.43	12.08	2.26						
	72	21.21	11.38	1.27	20.31	11.05	1.42	19.41	10.71	1.59	18.37	10.33	1.78	17.33	9.96	2.02	16.00	9.48	2.26						
600	57	18.12	18.12	1.32	17.44	17.44	1.47	16.72	16.72	1.63	15.93	15.93	1.82	15.12	15.12	2.05	14.13	14.13	2.30						
	62	18.19	18.01	1.32	17.54	17.28	1.46	16.74	16.74	1.63	15.96	15.96	1.82	15.14	15.14	2.05	14.17	14.17	2.30						
	63	18.40	17.43	1.32	17.61	17.05	1.46	16.77	16.64	1.63	15.96	15.96	1.82	15.14	15.14	2.05	14.18	14.18	2.29						
	67	19.17	15.05	1.31	18.81	14.68	1.46	17.90	14.32	1.63	16.89	13.92	1.82	15.88	13.52	2.05	14.57	13.00	2.28						
	72	21.47	11.95	1.30	20.62	11.65	1.45	19.68	11.30	1.62	18.64	10.93	1.81	17.55	10.55	2.05	16.24	10.08	2.29						
675	57	18.70	18.70	1.34	18.00	18.00	1.49	17.24	17.24	1.66	16.41	16.41	1.85	15.57	15.57	2.08	14.55	14.55	2.32						
	62	18.71	18.71	1.34	18.02	18.02	1.49	17.26	17.26	1.66	16.44	16.44	1.85	15.59	15.59	2.08	14.58	14.58	2.33						
	63	18.79	18.56	1.35	18.02	18.02	1.49	17.27	17.27	1.66	16.44	16.44	1.85	15.60	15.60	2.08	14.58	14.58	2.32						
	67	19.88	15.95	1.34	19.03	15.61	1.49	18.11	15.24	1.66	17.08	14.83	1.85	16.07	14.43	2.08	14.78	13.90	2.32						
	72	21.70	12.53	1.33	20.81	12.21	1.48	19.86	11.87	1.65	18.78	11.49	1.84	17.62	11.09	2.06	16.35	10.64	2.32						

Total sensible capacities are based on net capacities. Blower heat has been subtracted.

Sensible capacities shown are based on 80°F (27°C) entering air at the indoor coil. For sensible capacities at other than 80°F (27°C), deduct 835 Btuh (245 kW) per 1000 CFM (480 L/S) of indoor coil air for each degree below 80°F (27°C), or add 835 Btuh (245 kW) per 1000 CFM (480 L/S) of indoor coil air per degree above 80°F (27°C).

Detailed cooling and heating capacities are based on indoor and outdoor unit at the same elevation per AHRI standard 210/240 -2008. If additional tubing length is required and/or indoor unit is located above outdoor unit, a slight variation in capacity may occur.

System kw is total of indoor and outdoor unit kilowatts.

**EXPANDED COOLING PERFORMANCE RATINGS For Outdoor / Indoor Models**

For complete ratings information, use the AHRI website directory search: [www.AHRIdirectory.org](http://www.AHRIdirectory.org).  
New ratings may be listed online before Specification Sheets are updated.

**R4A324\*KN Outdoor Section With EA\*4X24L14A\* Indoor Section**

EVAPORAT-OR AIR		CONDENSER ENTERING AIR TEMPERATURES deg F																			
		75				85				95				105				115			
		Capacity MBtuh		Total System KW	Capacity MBtuh		Total System KW	Capacity MBtuh		Total System KW	Capacity MBtuh		Total System KW	Capacity MBtuh		Total System KW	Capacity MBtuh		Total System KW		
CFM	EWB	Total	Sens		Total	Sens		Total	Sens		Total	Sens		Total	Sens		Total	Sens		Total	Sens
700	72	27.06	13.28	1.64	25.82	12.84	1.84	24.64	12.43	2.06	23.44	12.02	2.30	22.11	11.56	2.57					
	67	24.87	16.41	1.64	23.82	16.00	1.84	22.70	15.57	2.05	21.55	15.13	2.30	20.29	14.66	2.57					
	62	22.98	19.55	1.63	22.00	19.12	1.83	20.97	18.66	2.05	19.91	18.18	2.30	18.87	18.87	2.57					
	57	22.41	22.41	1.63	21.61	21.61	1.83	20.75	20.75	2.05	19.85	19.85	2.30	18.87	18.87	2.57					
800	72	27.49	13.93	1.68	26.14	13.46	1.88	24.93	13.05	2.10	23.69	12.64	2.34	22.33	12.18	2.60					
	67	25.24	17.44	1.68	24.15	17.03	1.87	23.00	16.60	2.09	21.83	16.16	2.33	20.54	15.69	2.60					
	62	23.44	20.97	1.67	22.46	20.51	1.87	21.49	21.49	2.09	20.55	20.55	2.33	19.52	19.52	2.60					
	57	23.25	23.25	1.67	22.40	22.40	1.87	21.49	21.49	2.09	20.55	20.55	2.33	19.52	19.52	2.60					
900	72	27.76	14.53	1.72	26.38	14.07	1.91	25.12	13.65	2.13	23.86	13.23	2.38	22.46	12.77	2.64					
	67	25.50	18.44	1.71	24.39	18.03	1.91	23.21	17.59	2.13	22.02	17.15	2.37	20.70	16.66	2.64					
	62	23.92	23.92	1.71	23.03	23.03	1.91	22.08	22.08	2.13	21.10	21.10	2.37	20.02	20.02	2.64					
	57	23.92	23.92	1.71	23.04	23.04	1.91	22.08	22.08	2.13	21.10	21.10	2.37	20.02	20.02	2.64					

Total sensible capacities are based on net capacities. Blower heat has been subtracted.

Sensible capacities shown are based on 80°F (27°C) entering air at the indoor coil. For sensible capacities at other than 80°F (27°C), deduct 835 Btuh (245 kW) per 1000 CFM (480 L/S) of indoor coil air for each degree below 80°F (27°C), or add 835 Btuh (245 kW) per 1000 CFM (480 L/S) of indoor coil air per degree above 80°F (27°C).

Detailed cooling and heating capacities are based on indoor and outdoor unit at the same elevation per AHRI standard 210/240 -2008. If additional tubing length is required and/or indoor unit is located above outdoor unit, a slight variation in capacity may occur.

System kw is total of indoor and outdoor unit kilowatts.

**EXPANDED COOLING PERFORMANCE RATINGS For Outdoor / Indoor Models**

For complete ratings information, use the AHRI website directory search: [www.AHRIdirectory.org](http://www.AHRIdirectory.org).  
New ratings may be listed online before Specification Sheets are updated.

**R4A330\*KN Outdoor Section With EA\*4X30L14A\* Indoor Section**

EVAPORATOR AIR		CONDENSER ENTERING AIR TEMPERATURES deg F														
		75			85			95			105			115		
CFM	EWB	Capacity MBtuh		Total System KW	Capacity MBtuh		Total System KW	Capacity MBtuh		Total System KW	Capacity MBtuh		Total System KW	Capacity MBtuh		Total System KW
		Total	Sens		Total	Sens		Total	Sens		Total	Sens		Total	Sens	
875	72	31.88	16.54	1.97	30.55	16.06	2.21	29.17	15.57	2.48	27.73	15.07	2.77	26.14	14.51	3.10
	67	29.45	20.69	1.97	28.21	20.19	2.21	26.90	19.68	2.47	25.54	19.15	2.77	24.04	18.57	3.09
	62	27.29	24.80	1.96	26.15	24.27	2.20	24.96	23.68	2.47	23.83	23.83	2.76	22.65	22.65	3.09
	57	26.90	26.90	1.96	25.94	25.94	2.20	24.91	24.91	2.47	23.83	23.83	2.76	22.65	22.65	3.09
1000	72	32.25	17.34	2.02	30.87	16.86	2.26	29.45	16.36	2.53	27.98	15.86	2.82	26.34	15.30	3.14
	67	29.82	22.01	2.01	28.55	21.52	2.25	27.20	21.00	2.52	25.81	20.47	2.81	24.28	19.88	3.14
	62	27.85	27.62	2.01	26.81	26.81	2.25	25.72	25.72	2.51	24.59	24.59	2.81	23.35	23.35	3.14
	57	27.82	27.82	2.01	26.81	26.81	2.25	25.73	25.73	2.51	24.60	24.60	2.81	23.35	23.35	3.14
1125	72	32.50	18.10	2.07	31.08	17.61	2.31	29.63	17.12	2.57	28.13	16.61	2.87	26.46	16.05	3.19
	67	30.08	23.28	2.06	28.78	22.78	2.30	27.41	22.26	2.57	26.00	21.72	2.86	24.45	21.12	3.19
	62	28.55	28.55	2.06	27.50	27.50	2.30	26.36	26.36	2.56	25.19	25.19	2.86	23.89	23.89	3.18
	57	28.55	28.55	2.06	27.50	27.50	2.30	26.37	26.37	2.56	25.19	25.19	2.86	23.89	23.89	3.18

Total sensible capacities are based on net capacities. Blower heat has been subtracted.

Sensible capacities shown are based on 80° F (27° C) entering air at the indoor coil. For sensible capacities at other than 80° F (27° C), deduct 835 Btuh (245 kW) per 1000 CFM (480 L/S) of indoor coil air for each degree below 80° F (27° C), or add 835 Btuh (245 kW) per 1000 CFM (480 L/S) of indoor coil air per degree above 80° F (27° C).

Detailed cooling and heating capacities are based on indoor and outdoor unit at the same elevation per AHRI standard 210/240 -2008. If additional tubing length is required and/or indoor unit is located above outdoor unit, a slight variation in capacity may occur.

System kw is total of indoor and outdoor unit kilowatts.

**EXPANDED COOLING PERFORMANCE RATINGS For Outdoor / Indoor Models**

For complete ratings information, use the AHRI website directory search: [www.AHRIdirectory.org](http://www.AHRIdirectory.org).  
New ratings may be listed online before Specification Sheets are updated.

**R4A336\*KN Outdoor Section With EA\*4X48\*21A\* Indoor Section**

EVAPORATOR AIR		CONDENSER ENTERING AIR TEMPERATURES deg F														
		75			85			95			105			115		
CFM	EWB	Capacity MBtuh		Total System KW	Capacity MBtuh		Total System KW	Capacity MBtuh		Total System KW	Capacity MBtuh		Total System KW	Capacity MBtuh		Total System KW
		Total	Sens		Total	Sens		Total	Sens		Total	Sens		Total	Sens	
1050	72	29.86	29.86	3.98	38.13	19.65	2.76	36.46	19.06	3.10	34.71	18.45	3.47	32.77	17.79	3.87
	67	36.66	25.23	2.45	35.22	24.67	2.76	33.64	24.05	3.09	31.99	23.42	3.46	30.17	22.72	3.86
	62	33.97	30.22	2.45	32.65	29.62	2.75	31.21	28.94	3.08	29.76	29.76	3.45	28.35	28.35	3.86
	57	33.42	33.42	2.45	32.30	32.30	2.75	31.07	31.07	3.08	29.78	29.78	3.45	28.35	28.35	3.86
1200	72	40.35	21.22	2.52	38.49	20.57	2.82	36.81	19.99	3.16	35.01	19.38	3.52	33.02	18.70	3.92
	67	37.10	26.78	2.51	35.62	26.22	2.82	34.00	25.60	3.15	32.31	24.96	3.52	30.45	24.26	3.92
	62	34.75	32.12	2.51	33.33	33.33	2.81	32.07	32.07	3.14	30.71	30.71	3.51	29.20	29.20	3.92
	57	34.54	34.54	2.51	33.37	33.37	2.81	32.07	32.07	3.14	30.71	30.71	3.51	29.20	29.20	3.92
1350	72	40.70	22.12	2.58	38.75	21.45	2.88	37.03	20.86	3.21	35.19	20.25	3.58	33.17	19.57	3.98
	67	37.49	28.29	2.57	35.90	27.69	2.87	34.25	27.07	3.21	32.53	26.42	3.57	30.65	25.71	3.98
	62	35.43	35.43	2.57	34.21	34.21	2.87	32.85	32.85	3.20	31.43	31.43	3.57	29.86	29.86	3.98
	57	35.43	35.43	2.57	34.21	34.21	2.87	32.85	32.85	3.20	31.43	31.43	3.57	29.86	29.86	3.98

Total sensible capacities are based on net capacities. Blower heat has been subtracted.

Sensible capacities shown are based on 80° F (27° C) entering air at the indoor coil. For sensible capacities at other than 80° F (27° C), deduct 835 Btuh (245 kW) per 1000 CFM (480 L/S) of indoor coil air for each degree below 80° F (27° C), or add 835 Btuh (245 kW) per 1000 CFM (480 L/S) of indoor coil air per degree above 80° F (27° C).

Detailed cooling and heating capacities are based on indoor and outdoor unit at the same elevation per AHRI standard 210/240 -2008. If additional tubing length is required and/or indoor unit is located above outdoor unit, a slight variation in capacity may occur.

System kw is total of indoor and outdoor unit kilowatts.



**EXPANDED COOLING PERFORMANCE RATINGS For Outdoor / Indoor Models**

For complete ratings information, use the AHRI website directory search: [www.AHRIdirectory.org](http://www.AHRIdirectory.org).  
New ratings may be listed online before Specification Sheets are updated.

**R4A342\*KN Outdoor Section With EA\*4X42L21A\* Indoor Section**

EVAPORATOR AIR		CONDENSER ENTERING AIR TEMPERATURES deg F														
		75		85		95		105		115						
CFM	EWB	Capacity MBtuh		Total System KW	Capacity MBtuh		Total System KW	Capacity MBtuh		Total System KW	Capacity MBtuh		Total System KW	Capacity MBtuh		Total System KW
		Total	Sens		Total	Sens		Total	Sens		Total	Sens		Total	Sens	
1225	72	47.32	23.07	2.93	45.27	22.34	3.24	43.09	21.57	3.59	40.81	20.78	3.97	38.34	19.94	4.39
	67	43.40	28.38	2.91	41.49	27.64	3.22	39.48	26.86	3.57	37.36	26.05	3.96	35.09	25.19	4.38
	62	39.84	33.67	2.89	38.12	32.90	3.21	36.33	32.09	3.56	34.46	31.22	3.95	32.57	32.57	4.37
	57	38.78	38.78	2.89	37.38	37.38	3.21	35.89	35.89	3.56	34.30	34.30	3.94	32.59	32.59	4.37
1400	72	48.02	24.09	2.99	45.89	23.35	3.31	43.63	22.57	3.65	41.27	21.77	4.04	38.72	20.92	4.46
	67	44.07	30.05	2.98	42.09	29.29	3.29	40.00	28.50	3.64	37.82	27.69	4.02	35.48	26.83	4.45
	62	40.69	35.98	2.96	38.95	35.17	3.28	37.11	37.11	3.62	35.49	35.49	4.01	33.66	33.66	4.44
	57	40.27	40.27	2.96	38.77	38.77	3.28	37.18	37.18	3.62	35.49	35.49	4.01	33.66	33.66	4.44
1575	72	48.55	25.07	3.06	46.34	24.32	3.37	44.03	23.54	3.72	41.60	22.73	4.10	38.98	21.87	4.52
	67	44.59	31.67	3.04	42.55	30.91	3.36	40.41	30.12	3.70	38.18	29.30	4.09	35.78	28.42	4.51
	62	41.50	41.10	3.03	39.89	39.89	3.35	38.21	38.21	3.69	36.43	36.43	4.08	34.50	34.50	4.51
	57	41.48	41.48	3.03	39.89	39.89	3.35	38.21	38.21	3.69	36.43	36.43	4.08	34.50	34.50	4.51

Total sensible capacities are based on net capacities. Blower heat has been subtracted.

Sensible capacities shown are based on 80°F (27°C) entering air at the indoor coil. For sensible capacities at other than 80°F (27°C), deduct 835 Btuh (245 kW) per 1000 CFM (480 L/S) of indoor coil air for each degree below 80°F (27°C), or add 835 Btuh (245 kW) per 1000 CFM (480 L/S) of indoor coil air per degree above 80°F (27°C).

Detailed cooling and heating capacities are based on indoor and outdoor unit at the same elevation per AHRI standard 210/240 -2008. If additional tubing length is required and/or indoor unit is located above outdoor unit, a slight variation in capacity may occur.

System kw is total of indoor and outdoor unit kilowatts.

**EXPANDED COOLING PERFORMANCE RATINGS For Outdoor / Indoor Models**

For complete ratings information, use the AHRI website directory search: [www.AHRIdirectory.org](http://www.AHRIdirectory.org).  
New ratings may be listed online before Specification Sheets are updated.

**R4A348\*KN Outdoor Section With EA\*4X48\*21A\* Indoor Section**

EVAPORATOR AIR		CONDENSER ENTERING AIR TEMPERATURES deg F														
		75		85		95		105		115						
CFM	EWB	Capacity MBtuh		Total System KW	Capacity MBtuh		Total System KW	Capacity MBtuh		Total System KW	Capacity MBtuh		Total System KW	Capacity MBtuh		Total System KW
		Total	Sens		Total	Sens		Total	Sens		Total	Sens		Total	Sens	
1400	72	54.01	27.69	3.30	51.69	26.84	3.66	49.23	25.94	4.07	46.64	25.01	4.51	43.86	24.02	5.00
	67	49.29	34.09	3.29	47.12	33.21	3.66	44.84	32.30	4.06	42.43	31.34	4.51	39.86	30.34	5.00
	62	45.06	40.45	3.29	43.09	39.53	3.65	41.04	38.56	4.06	38.94	38.75	4.50	36.99	36.99	5.00
	57	44.01	44.01	3.29	42.41	42.41	3.65	40.72	40.72	4.06	38.92	38.92	4.50	37.00	37.00	5.00
1600	72	54.89	29.01	3.38	52.49	28.15	3.74	49.94	27.24	4.14	47.25	26.30	4.59	44.37	25.30	5.08
	67	50.13	36.22	3.37	47.88	35.33	3.73	45.50	34.40	4.14	43.01	33.44	4.58	40.37	32.43	5.07
	62	46.06	43.32	3.36	44.09	43.69	3.73	42.23	42.23	4.13	40.32	40.32	4.58	38.27	38.27	5.07
	57	45.73	45.73	3.36	44.03	44.03	3.73	42.23	42.23	4.13	40.32	40.32	4.58	38.27	38.27	5.07
1800	72	55.53	30.25	3.46	53.06	29.38	3.82	50.44	28.46	4.22	47.68	27.51	4.67	44.72	26.50	5.15
	67	50.74	38.24	3.45	48.42	37.35	3.81	45.99	36.41	4.21	43.44	35.44	4.66	40.73	34.40	5.15
	62	47.13	47.13	3.44	45.35	45.35	3.81	43.45	43.45	4.21	41.44	41.44	4.66	39.29	39.29	5.15
	57	47.15	47.15	3.44	45.35	45.35	3.81	43.46	43.46	4.21	41.45	41.45	4.66	39.29	39.29	5.15

Total sensible capacities are based on net capacities. Blower heat has been subtracted.

Sensible capacities shown are based on 80°F (27°C) entering air at the indoor coil. For sensible capacities at other than 80°F (27°C), deduct 835 Btuh (245 kW) per 1000 CFM (480 L/S) of indoor coil air for each degree below 80°F (27°C), or add 835 Btuh (245 kW) per 1000 CFM (480 L/S) of indoor coil air per degree above 80°F (27°C).

Detailed cooling and heating capacities are based on indoor and outdoor unit at the same elevation per AHRI standard 210/240 -2008. If additional tubing length is required and/or indoor unit is located above outdoor unit, a slight variation in capacity may occur.

System kw is total of indoor and outdoor unit kilowatts.

**EXPANDED COOLING PERFORMANCE RATINGS For Outdoor / Indoor Models**

For complete ratings information, use the AHRI website directory search: [www.AHRIdirectory.org](http://www.AHRIdirectory.org).  
 New ratings may be listed online before Specification Sheets are updated.

**R4A360\*KN Outdoor Section With EA\*4X60\*24A\* Indoor Section**

EVAPORATOR AIR		CONDENSER ENTERING AIR TEMPERATURES deg F														
		75			85			95			105			115		
CFM	EWB	Capacity MBtuh		Total System KW	Capacity MBtuh		Total System KW	Capacity MBtuh		Total System KW	Capacity MBtuh		Total System KW	Capacity MBtuh		Total System KW
		Total	Sens		Total	Sens		Total	Sens		Total	Sens		Total	Sens	
1750	72	67.21	34.03	4.17	64.33	32.99	4.62	61.25	31.88	5.13	57.99	30.72	5.69	54.51	29.50	6.30
	67	61.78	42.10	4.12	59.11	41.03	4.58	56.26	39.90	5.08	53.27	38.73	5.64	50.10	37.51	6.26
	62	56.85	50.10	4.08	54.44	49.01	4.54	51.89	47.82	5.04	49.28	46.54	5.60	46.74	46.74	6.23
	57	55.51	55.51	4.07	53.53	53.53	4.53	51.41	51.41	5.04	49.17	49.17	5.60	46.74	46.74	6.23
2000	72	68.22	35.65	4.27	65.20	34.58	4.73	62.01	33.46	5.23	58.62	32.28	5.79	55.02	31.05	6.40
	67	62.74	44.73	4.22	59.96	43.64	4.68	57.00	42.50	5.18	53.90	41.32	5.74	50.62	40.07	6.36
	62	58.02	53.65	4.18	55.58	52.46	4.64	53.19	53.19	5.15	50.79	50.79	5.71	48.19	48.19	6.33
	57	57.57	57.57	4.18	55.46	55.46	4.64	53.20	53.20	5.15	50.80	50.80	5.71	48.19	48.19	6.33
2250	72	68.93	37.17	4.37	65.81	36.09	4.83	62.53	34.96	5.33	59.04	33.77	5.89	55.34	32.51	6.50
	67	63.43	47.24	4.32	60.56	46.14	4.78	57.53	44.99	5.28	54.34	43.78	5.84	50.99	42.50	6.46
	62	59.25	59.25	4.29	57.01	57.01	4.75	54.62	54.62	5.25	52.11	52.11	5.82	49.36	49.36	6.44
	57	59.25	59.25	4.29	57.01	57.01	4.75	54.62	54.62	5.25	52.12	52.12	5.82	49.36	49.36	6.44

Total sensible capacities are based on net capacities. Blower heat has been subtracted.

Sensible capacities shown are based on 80° F (27° C) entering air at the indoor coil. For sensible capacities at other than 80° F (27° C), deduct 835 Btuh (245 kW) per 1000 CFM (480 L/S) of indoor coil air for each degree below 80° F (27° C), or add 835 Btuh (245 kW) per 1000 CFM (480 L/S) of indoor coil air per degree above 80° F (27° C).

Detailed cooling and heating capacities are based on indoor and outdoor unit at the same elevation per AHRI standard 210/240 -2008. If additional tubing length is required and/or indoor unit is located above outdoor unit, a slight variation in capacity may occur.

System kw is total of indoor and outdoor unit kilowatts.

ACCESSORY USAGE GUIDELINES		
Accessory	REQUIRED FOR LOW- AMBIENT APPLICATIONS {Below 55°F (13°C)}	REQUIRED FOR LONG- LINE APPLICATIONS* {Over 80 Ft.(24.4m)}
Crankcase Heater	<b>Yes</b>	<b>Yes</b>
Evaporator Freeze Thermostat	<b>Yes</b>	No
Winter Start Control	<b>Yes **</b>	No
TXV	<b>Yes</b>	<b>Yes‡</b>
Hard Start Kit (Capacitor & Relay)	<b>Yes</b>	<b>Yes</b>
Low Ambient Kit (Pressure Switch)	<b>Yes</b>	No
Support Feet, 4" (102mm) tall	Recommended	No
Liquid Line Solenoid Valve	No	See Long- Line Application Guideline

\* Refer to the Long Line Application Guideline document.

\*\* Can only be installed in conjunction with Low Pressure Switch.

‡ TXV required beyond 20 ft (6.1m) vertical separation or 50 ft (15.2) total length.

ACCESSORIES		
Part Number	Description	Used On Model Size
NASA003CH	Crankcase Heater for Compressor	18, 24, 30
NASA001CH	Crankcase Heater for Compressor	36, 42, 48, 60
NASA001SC	Start Component - PTC Device	ALL
NASA00201FS	Evaporator Freeze Thermostat	ALL
NASA403PS	Low Pressure Switch	ALL
NASA404PS	High Pressure Switch	ALL
NASA001LS	Liquid Line Solenoid Valve	ALL
NASA001TD	Time Delay Relay, Indoor Blower	ALL
NASA00201WS	Winter Start Control	ALL
NASA001AC	Anti- Cycle Timer (5 minute delay)	ALL
NASA401LA	Low Ambient Kit (Pressure Switch)	ALL
NASA00201SF	Support Feet, 4" (102mm) tall (5 feet included)	ALL
NASA003SC	Hard Start Kit (Capacitor & Relay)	ALL
NASA001SJ	Sound Blanket Kit	18, 24, 30, 36, 42, 48
NASA003SJ	Sound Blanket Kit	60
NAEA40501TX	TXV Kit, R- 410A - for use with copper or tin fan coils	18, 24, 30
NAEA40601TX	TXV Kit, R- 410A - for use with copper or tin fan coils	36, 42
NAEA40701TX	TXV Kit, R- 410A - for use with copper or tin fan coils	48, 60
NAEB40501TX	TXV Kit, R- 410A - for use with aluminum fan coils	18, 24, 30
NAEB40601TX	TXV Kit, R- 410A - for use with aluminum fan coils	36
NAEB40701TX	TXV Kit, R- 410A - for use with aluminum fan coils	42, 48, 60

