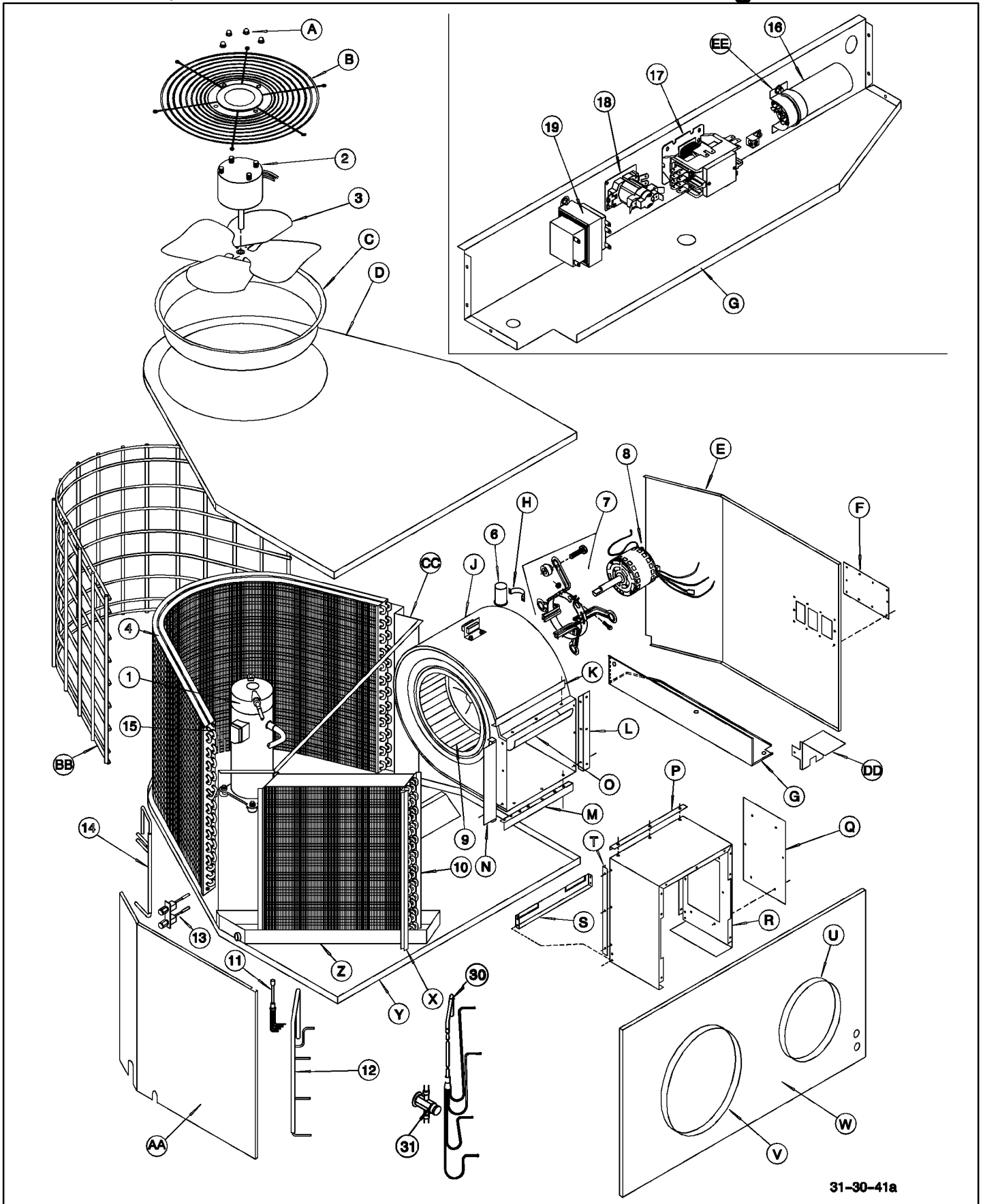


# PA95 / PAPC SERIES CONDENSERS - Single Phase



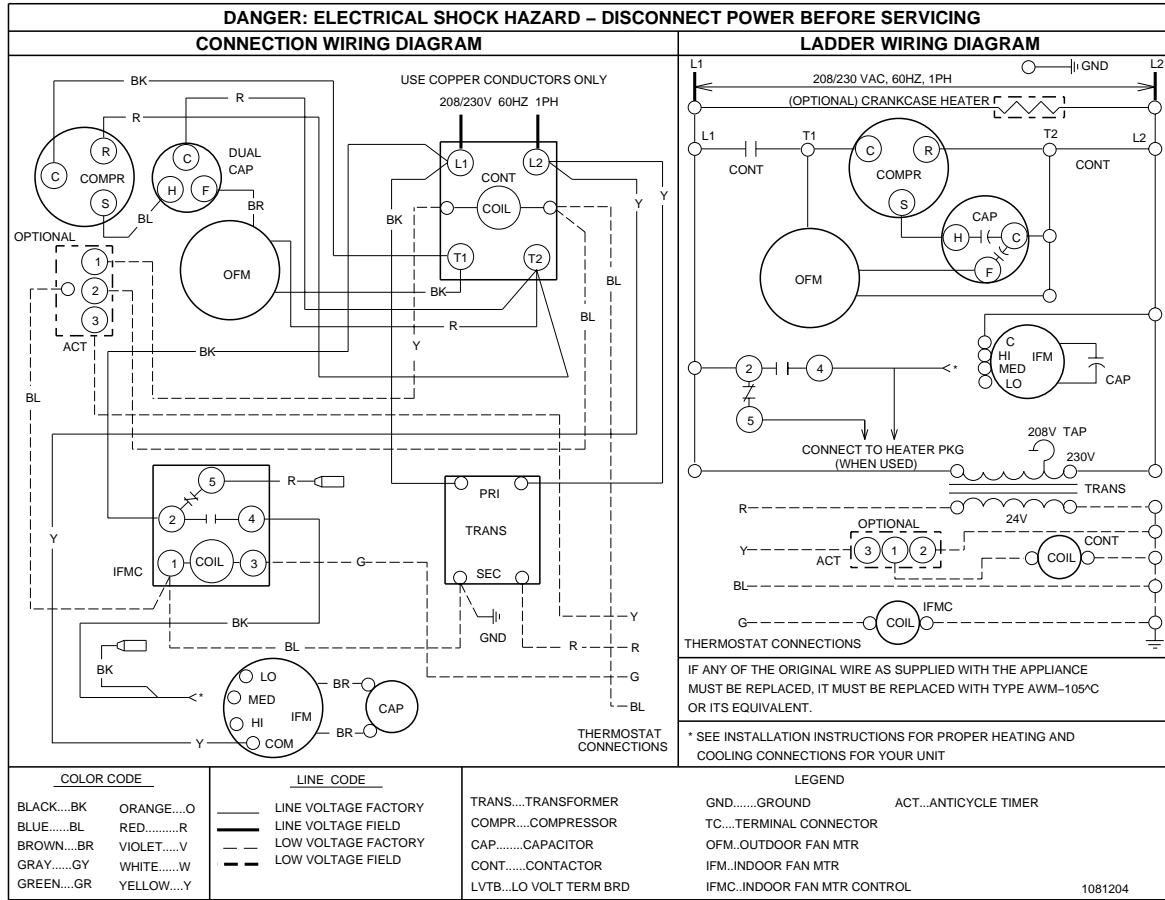
31-30-41a

**PA9524AKA2, PA9530AKA2, PA9536AKA2, PA9542AKA2, PA9548AKA2  
PAPC24GA2, PAPC30GA2, PAPC36GA2, PAPC42GA2, PAPC48GA2**

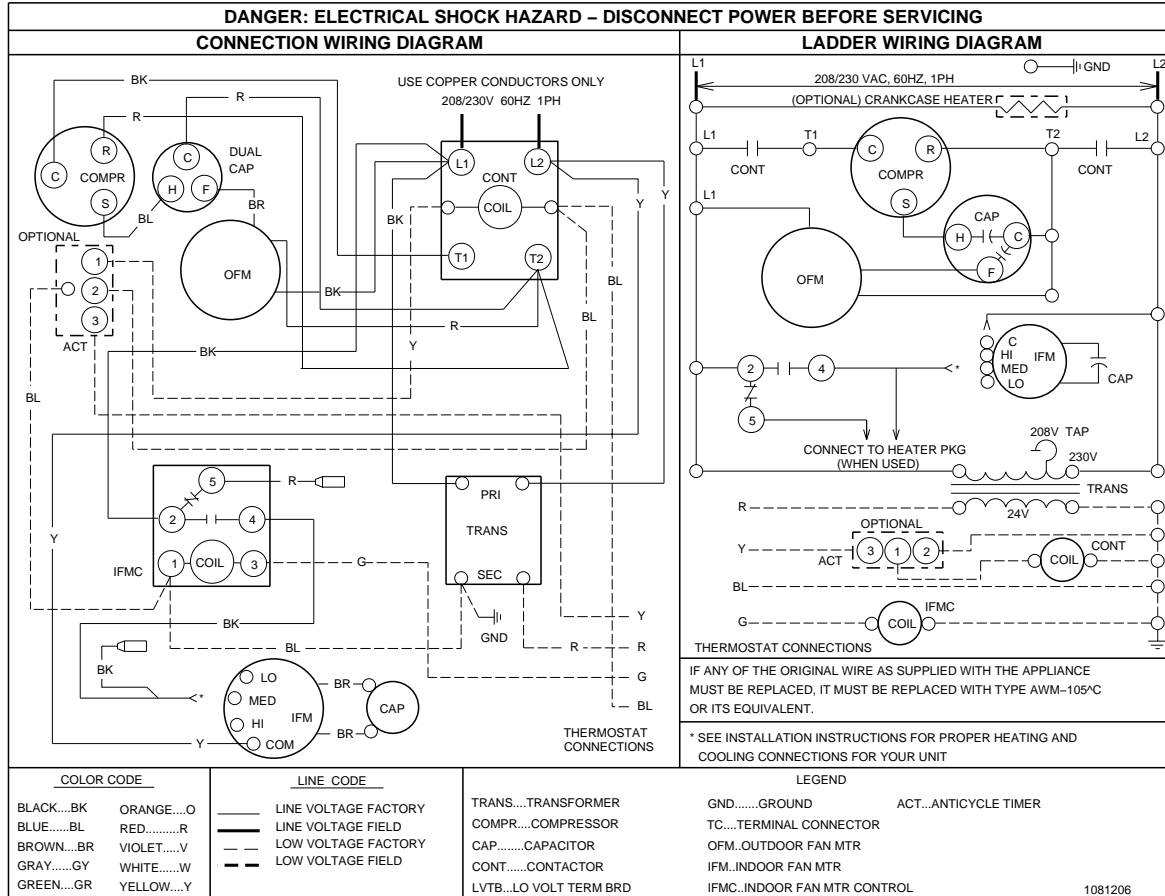
NO	DESCRIPTION	PART NUMBER	2 4	3 0	3 6	4 2	4 8
1	Compress, ZR22K3PFV	1082755	1				
1	ZR28K3PFV	1082756	-	1			
1	ZR34K3PFV	1081881	-	-	1		
1	ZR40K3PFV	1083000	-	-	-	1	
1	ZR46K3PFV	1083018	-	-	-	-	1
2	Motor, Condenser	1082492	1	1	1	1	
2		1082070	-	-	-	-	1
3	Fan Blade, Condenser	1080790	1	1	1	1	1
4	Condenser Coil Assy	1081121	1				
4		1082170	-	1	1	1	1
6	Capacitor, 5 / 370V	1094954	1	1	1	1	
6	20 / 370V	1094961	-	-	-	-	1
7	Mount, Blow Motor Kit	609227	1	1	1	1	1
8	Motor, Blower	1082061	1				
8		1081398	-	1			
8		1081399	-	-	1	1	
8		1081194	-	-	-	-	1
9	Wheel, Blower	2120144	1	1			
9		706038	-	-	1	1	
9		1082068	-	-	-	-	1
10	Evaporator Coil	1082159	1				
10		1082143	-	1			
10		1082144	-	-	1		
10		1082160	-	-	-	1	
10		1082161	-	-	-	-	1
11	Distributor, 4 Holes	1065884	1	1			
11	, 6 Holes	1063218	-	-	1	1	1
12	Manifold (Evap)	1082163	1	1			
12		1082164	-	-	1	1	
12		1082710	-	-	-	-	1
13	Port Asy, Test	1083656	1	1	1	1	1
14	Manifold, Discharge (Cond)	1081145	1				
14		1082127	-	1	1	1	1
15	Manifold, Liquid (Cond)	1081153	1				
15		1082130	-	1	1	1	1
16	Capacitor, 40 + 5 / 370V	1094980	1				
16	45 + 5 / 370V	1094982	-	1			
16	50 + 5 / 370V	1094993	-	-	1		
16	55 + 5 / 370V	1068556	-	-	-	1	
16	60 +7.5 / 370V	1149997	-	-	-	-	1
17	Contact, 25 AMP	1050699	1	1	1		
17	35 AMP	1050839	-	-	-	1	
17	40 AMP	1059574	-	-	-	-	1
18	Relay	1058148	1	1	1	1	1
19	Transformer	1056899	1	1	1	1	1
30	Tube W/Strainer	1068116	1	1	1	1	1
31	Valve, Expansion	1082121	1				
31		1082122	-	1			
31		1082123	-	-	1		
31		1082124	-	-	-	1	
31		1082125	-	-	-	-	1
33	Plug, Comp. Harness	1083654	1	1	1	1	1

NO	DESCRIPTION	PART NUMBER	2 4	3 0	3 6	4 2	4 8
A	Nut, Cap	1067902	4	4	4	4	4
AA	Panel, Side (Evap)	1081102	1	1	1	1	1
B	Grille, Top	1064541	1	1	1	1	
B		1072868	-	-	-	-	1
BB	Grille, Inlet	1081378	1	1	1	1	1
C	Orifice, Condenser Fan	1065724	1	1	1	1	1
CC	Panel, Center	1097343	1	1	1	1	1
D	Panel, Top	1068344	1	1	1	1	1
DD	Partition, Low Voltage	1082051	1	1	1	1	1
E	Panel, Side ( Blower)	1081103	1	1	1	1	1
EE	Clamp, Capacitor	1095021	1	1			
EE		1064218	-	-	1	1	1
F	Cover, Side (Blower)	1081375	1	1	1	1	1
G	Box, Control	1081220	1	1	1	1	1
H	Clamp, Capacitor	1095020	1	1	1	1	
H		1095022	-	-	-	-	1
J	Housing, Blower	1081214	1	1			
J		1081213	-	-	1	1	1
K	Bracket, Blower Mount	1081116	1	1	1	1	1
L	Bracket, Blower Mount	1081395	1	1			
L	Bracket, Blower Mount	1081119	-	-	1	1	1
M	Bracket, Blower Mount	1081117	1	1	1	1	1
N	Bracket, Blower Mount	1081396	1	1			
N	Bracket, Blower Mount	1081118	-	-	1	1	1
O	Panel, Blower Cutoff	721020002	1	1			
O		721020013	-	-	1	1	1
P	Bracket, Heater Box	1081114	1	1	1	1	1
Q	Plate, Heater Cover	1083655	1	1	1	1	1
R	Box, Heater	1081111	1	1	1	1	1
S	Bracket, Heater Box	1081112	1	1	1	1	1
T	Bracket, Heater Box	1081113	1	1	1	1	1
U	Ring, Air Duct 12"	1066734	1	1	1	1	1
V	Ring, Air Duct 14"	1066735	1	1	1	1	1
W	Panel, Rear	1081101	1	1	1	1	1
X	Bracket, Evap Coil	1081110	1	1	1	1	1
Y	Panel, Base	1081100	1	1	1	1	1
Z	Pan, Drain	1081120	1	1	1	1	1
	Manual, Parts List	426041103	1	1	1	1	1
	Manual, Owners	421021102	1	1	1	1	1
	Manual, Installation	426011001	1	1	1	1	1
AMM001DSA	DISCONNECT SWITCH KIT (INCLUDES RAIN SHEILD, BREAKER, ETC...) FOR NON-BREAKER STYLE HEATERS						
<b>Breaker Amps</b>	<b>Part Number</b>	<b>Application</b>					
20	1082007	N/A					
25	1082008	2 TON					
30	1082009	2 <sup>1</sup> / <sub>2</sub> TON					
35	1082010	3 TON					
40	1082011	3 TON					
45	1082012	3 <sup>1</sup> / <sub>2</sub> TON					
50	1082013	3 <sup>1</sup> / <sub>2</sub> -4 TON					
60	1082014	4 TON					
60 Switch	1082042	Fits All - Disconnect Switch Only (No Over Current Protection)					

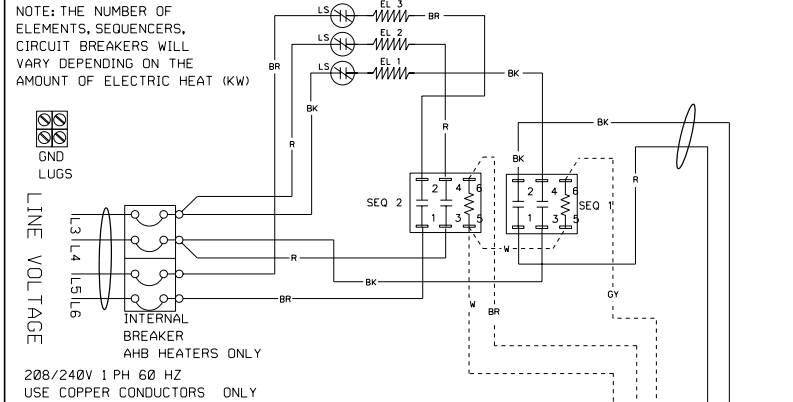
**PA9524,30,36,42 & PAPC24,30,36,42**



**PA9548 & PAPC48**



DESCRIPTION: AMMK 5,7.5,10 & 15 KW ELECTRIC HEAT	WIRING CODE: 208/230V 60 HZ 1 PH	REVISION:	PART NUMBER: 1082111-B
---	--	-----------	---------------------------



**WARNING**

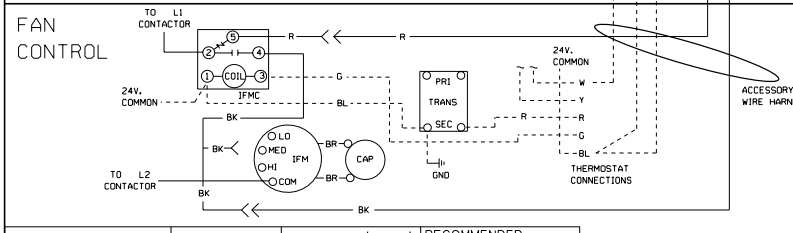
ELECTRICAL SHOCK HAZARD. DISCONNECT ALL POWER SUPPLIES. FAILURE TO DO SO COULD RESULT IN SERIOUS INJURY OR DEATH.

LEGEND

EL.....ELECTRIC ELEMENT  
SEQ.....SEQUENCER  
HTR.....HEATER  
GND.....GROUND  
LS.....LIMIT SWITCH  
IFM.....INDOOR FAN MOTOR  
TRANS.....TRANSFORMER  
IFMC.....INDOOR FAN MOTOR CONTROL

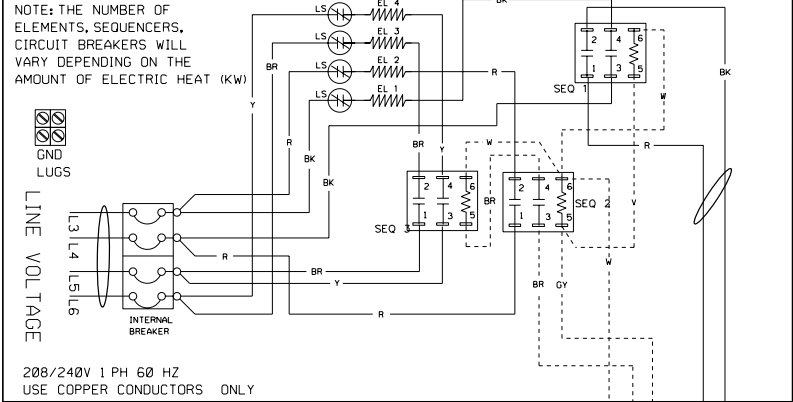
FOLLOW HEATER INSTALLATION INSTRUCTIONS.

WIRING  
----- LOW VOLTAGE  
----- LINE VOLTAGE



HEATER ASSY. MODEL NUMBER	ELEMENTS	INTERNAL (WHEN BREAKERS (USED)		RECOMMENDED FOR USE WITH: PA55, PA95 & PH55	COLOR CODE		-NOTES-
		L3-L4	L5-L6		BLACK BK	BLUE BL	
AMMK05AHB	1	25A	---	24,30,36,42,48 & 60	BROWN BR	1. ALL WIRING MUST BE DONE IN ACCORDANCE WITH NATIONAL AND LOCAL ELECTRICAL CODES. 2. WIRING THAT IS CIRCLED MUST BE DONE BY INSTALLER 3. IF ANY WIRE MUST BE REPLACED, IT MUST BE REPLACED WITH ITS EQUIVALENT. MIN. RATING 105°C	
AMMK07AHA	1,2	40A	---	24,30,36,42,48 & 60	GRAY GY		
AMMK10AHB	1,2	50A	---	24,30,36,42,48 & 60	ORANGE O		
AMMK10AHA	1,2	---	---	24,30,36,42,48 & 60	RED R		
AMMK15AHB	1,2,3	50A	25A	30,36,42,48 & 60	VIOLET V		

DESCRIPTION: AMMK 20 KW ELECTRIC HEAT	WIRING CODE: 208/230V 60 HZ 1 PH	REVISION:	PART NUMBER: 1082113-B
--	--	-----------	---------------------------



**WARNING**

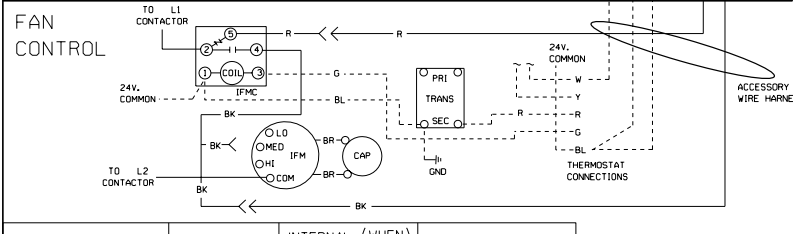
ELECTRICAL SHOCK HAZARD. DISCONNECT ALL POWER SUPPLIES. FAILURE TO DO SO COULD RESULT IN SERIOUS INJURY OR DEATH.

LEGEND

EL.....ELECTRIC ELEMENT  
SEQ.....SEQUENCER  
HTR.....HEATER  
GND.....GROUND  
LS.....LIMIT SWITCH  
IFM.....INDOOR FAN MOTOR  
TRANS.....TRANSFORMER  
IFMC.....INDOOR FAN MOTOR CONTROL

FOLLOW HEATER INSTALLATION INSTRUCTIONS.

WIRING  
----- LOW VOLTAGE  
----- LINE VOLTAGE



HEATER ASSY. MODEL NUMBER	ELEMENTS	INTERNAL (WHEN BREAKERS (USED)		RECOMMENDED FOR USE WITH: PA55, PA95 & PH55	COLOR CODE		-NOTES-
		L3-L4	L5-L6		BLACK BK	BLUE BL	
AMMK020AHB	4	50A	50A	PA55 36,42,48 & 60 PA95 36,42 & 48 PH55 36,42,48 & 60	BROWN BR	1. ALL WIRING MUST BE DONE IN ACCORDANCE WITH NATIONAL AND LOCAL ELECTRICAL CODES. 2. WIRING THAT IS CIRCLED MUST BE DONE BY INSTALLER 3. IF ANY WIRE MUST BE REPLACED, IT MUST BE REPLACED WITH ITS EQUIVALENT. MIN. RATING 105°C	
					GRAY GY		
					ORANGE O		
					RED R		
					VIOLET V		

## 2 Ton

Style No:	PA9524AKA/PAPC24GA		Outdoor Ambient Temperature - Degrees F. Dry Bulb																					
Voltage	208 / 230		75				85				95				105				115					
Phase	1		Entering Indoor Temperature - Degrees F. Wet Bulb																					
Ampacity	16.4		IDB		59	63	67	71	59	63	67	71	59	63	67	71	59	63	67	71	59	63	67	71
Wire Ga/Ft	NEC		70	MBh	22.3	23.1	25.3	-	21.8	22.6	24.7	-	21.2	22.0	24.1	-	20.2	20.9	22.9	-	18.7	19.4	21.2	-
Delay Fuse	20			S/T	0.77	0.65	0.45	-	0.79	0.66	0.46	-	0.82	0.68	0.47	-	0.85	0.71	0.49	-	0.86	0.72	0.50	-
Max. Fuse	25			AMPS	8.6	8.8	9.0	-	9.2	9.4	9.6	-	9.7	9.9	10.1	-	10.2	10.4	10.7	-	10.7	10.9	11.2	-
Compressor	COPELAND			HI PR	164	177	187	-	187	201	213	-	213	229	242	-	240	258	272	-	265	285	301	-
RLA	10.3		LO PR	66	71	77	-	69	73	80	-	73	77	84	-	76	81	88	-	79	84	91	-	
LRA	56		75	MBh	22.7	23.4	25.3	27.1	22.1	22.8	24.7	26.5	21.6	22.2	24.1	25.8	20.5	21.1	22.9	24.5	19.0	19.6	21.2	22.7
Cap MFD/V	40 / 370			S/T	0.88	0.79	0.60	0.38	0.90	0.81	0.61	0.39	0.93	0.83	0.63	0.41	0.97	0.86	0.65	0.42	0.98	0.87	0.66	0.42
CC Heater	N/A			AMPS	8.7	8.9	9.1	9.3	9.3	9.5	9.7	10.0	9.8	10.0	10.2	10.5	10.3	10.5	10.8	11.1	10.8	11.0	11.3	11.6
Start Kit	N/A			HI PR	166	179	189	197	189	203	215	224	215	232	245	255	242	261	275	287	267	288	304	317
Cond & Evap	Cond	Evap	LO PR	67	71	78	83	70	74	81	86	73	78	85	91	77	82	89	95	79	85	92	98	
Type	Fan	Blower	80	MBh	23.1	23.6	25.2	26.9	22.5	23.0	24.6	26.3	22.0	22.5	24.0	25.7	20.9	21.3	22.8	24.4	19.3	19.8	21.1	22.6
Size	20	DD10-6		S/T	0.97	0.91	0.74	0.55	0.99	0.93	0.76	0.56	1.00	0.96	0.78	0.58	1.00	0.99	0.81	0.61	1.00	1.00	0.82	0.61
Motor-HP	1/3	1 / 4		AMPS	8.8	8.9	9.2	9.4	9.3	9.5	9.8	10.1	9.8	10.0	10.3	10.6	10.3	10.5	10.8	11.2	10.8	11.1	11.4	11.7
Type	PSC	PSC		HI PR	168	181	191	199	191	205	217	226	217	234	247	258	245	263	278	290	270	291	307	320
FLA	1.4	1.4	LO PR	68	72	79	84	70	75	82	87	74	79	86	92	78	83	90	96	80	85	93	99	
LRA	4.04	3.1	85	MBh	23.5	23.9	25.1	26.8	22.9	23.4	24.5	26.1	22.4	22.8	23.9	25.5	21.2	21.7	22.7	24.2	19.7	20.1	21.0	22.4
RPM	1100	1075		S/T	1.00	0.98	0.88	0.72	1.00	1.00	0.90	0.73	1.00	1.00	0.93	0.76	1.00	1.00	0.97	0.79	1.00	1.00	0.98	0.79
Cap MFD/V	5 / 370	5 / 370		AMPS	8.8	9.0	9.2	9.5	9.4	9.6	9.8	10.1	9.9	10.1	10.4	10.7	10.4	10.6	10.9	11.3	10.9	11.1	11.4	11.8
PTCR	N/A			HI PR	169	182	193	201	193	207	219	228	220	236	249	260	247	266	281	293	273	294	310	323
Hi Press	N/A		LO PR	69	73	80	85	71	76	83	88	75	80	87	93	78	83	91	97	81	86	94	100	
Low Press	N/A		Air Delivery in CFM - Dry Coil - No Filter (Add .05 static for Wet Coil)																					
Operating Chg (No Lines)*	(R-22 Oz)	99	230 Volt		External Static Press (Inch Water Column)							208 Volt		External Static Press (Inch Water Column)										
			Speed Tap	0.15	0.25	0.35	0.45	0.55	0.65	0.75	Speed Tap	0.15	0.25	0.35	0.45	0.55	0.65	0.75						
Service Driers	8 Cu In / 7 oz		HI	-	1085	1041	984	919	846	760	HI	-	922	884	836	781	719	646						
Liquid/Chg	30 Sq In		MD HI	-	868	828	784	732	668	585	MD HI	-	737	703	666	622	567	497						
Suction			MD LO	-	848	809	764	718	680	576	MD LO	-	720	687	649	610	578	489	1083728					
Unit Weight	268		LO	-	-	-	-	-	-	-	LO	-	-	-	-	-	-	-						

## 2 1/2 Ton

Style No:	PA9530AKA/PAPC30GA		Outdoor Ambient Temperature - Degrees F. Dry Bulb																					
Voltage	208 / 230		75				85				95				105				115					
Phase	1		Entering Indoor Temperature - Degrees F. Wet Bulb																					
Ampacity	21		IDB		59	63	67	71	59	63	67	71	59	63	67	71	59	63	67	71	59	63	67	71
Wire Ga/Ft	NEC		70	MBh	27.9	28.9	31.7	-	27.2	28.2	30.9	-	26.6	27.5	30.2	-	25.2	26.1	28.6	-	23.4	24.2	26.5	-
Delay Fuse	25			S/T	0.75	0.63	0.44	-	0.77	0.65	0.45	-	0.80	0.67	0.46	-	0.83	0.69	0.48	-	0.84	0.70	0.48	-
Max. Fuse	30			AMPS	11.2	11.4	11.7	-	12.0	12.2	12.5	-	12.6	12.9	13.2	-	13.3	13.5	13.9	-	13.9	14.2	14.6	-
Compressor	COPELAND			HI PR	164	177	187	-	187	201	213	-	213	229	242	-	240	258	272	-	265	285	301	-
RLA	13.5		LO PR	63	67	74	-	66	70	77	-	69	74	80	-	73	77	84	-	75	80	87	-	
LRA	72.5		75	MBh	28.4	29.2	31.6	33.9	27.7	28.5	30.8	33.1	27.0	27.8	30.1	32.3	25.7	26.4	28.6	30.7	23.8	24.5	26.5	28.4
Cap MFD/V	45 / 370			S/T	0.86	0.77	0.58	0.37	0.88	0.79	0.60	0.38	0.91	0.81	0.61	0.40	0.94	0.84	0.64	0.41	0.95	0.85	0.64	0.41
CC Heater	N/A			AMPS	11.3	11.5	11.8	12.1	12.1	12.3	12.6	13.0	12.7	13.0	13.3	13.7	13.4	13.6	14.0	14.4	14.0	14.3	14.7	15.1
Start Kit	N/A			HI PR	166	179	189	197	189	203	215	224	215	232	245	255	242	261	275	287	267	288	304	317
Cond & Evap	Cond	Evap	LO PR	64	68	74	79	67	71	77	82	70	74	81	86	73	78	85	91	76	81	88	94	
Type	Fan	Blower	80	MBh	28.9	29.5	31.5	33.7	28.2	28.8	30.8	32.9	27.5	28.1	30.0	32.1	26.1	26.7	28.5	30.5	24.2	24.7	26.4	28.2
Size	20	DD10-6		S/T	0.94	0.88	0.72	0.54	0.96	0.90	0.74	0.55	1.00	0.93	0.76	0.57	1.00	0.97	0.79	0.59	1.00	0.98	0.80	0.59
Motor-HP	1/3	1 / 3		AMPS	11.4	11.6	11.9	12.2	12.1	12.4	12.7	13.1	12.8	13.1	13.4	13.8	13.5	13.7	14.1	14.5	14.1	14.4	14.8	15.3
Type	PSC	PSC		HI PR	168	181	191	199	191	205	217	226	217	234	247	258	245	263	278	290	270	291	307	320
FLA	1.4	2.2	LO PR	65	69	75	80	67	72	78	83	71	75	82	87	74	79	86	92	77	81	89	95	
LRA	4.04	5.6	85	MBh	29.4	29.9	31.3	33.4	28.7	29.2	30.6	32.6	28.0	28.5	29.9	31.8	26.6	27.1	28.4	30.3	24.6	25.1	26.3	28.0
RPM	1120	1075		S/T	0.99	0.95	0.86	0.70	1.00	0.98	0.88	0.71	1.00	1.00	0.91	0.74	1.00	1.00	0.94	0.77	1.00	1.00	0.95	0.77
Cap MFD/V	5 / 370	5 / 370		AMPS	11.5	11.7	12.0	12.3	12.2	12.5	12.8	13.2	12.9	13.1	13.5	13.9	13.6	13.8	14.2	14.7	14.2	14.5	14.9	15.4
PTCR	N/A			HI PR	169	182	193	201	193	207	219	228	220	236	249	260	247	266	281	293	273	294	310	323
Hi Press	N/A		LO PR	65	69	76	81	68	72	79	84	71	76	83	88	75	80	87	92	77	82	90	96	
Low Press	N/A		Air Delivery in CFM - Dry Coil - No Filter (Add .05 static for Wet Coil)																					
Operating Chg (No Lines)*	(R-22 Oz)	104	230 Volt		External Static Press (Inch Water Column)							208 Volt		External Static Press (Inch Water Column)										
			Speed Tap	0.15	0.25	0.35	0.45	0.55	0.65	0.75	Speed Tap	0.15	0.25	0.35	0.45	0.55	0.65	0.75						
Service Driers	16 Cu In / 11 oz		HI	-	1130	1086	1033	973	901	817	HI	-	961	923	878	827	766	694						
Liquid/Chg	30 Sq In		MD HI	-	1069	1023	982	927	863	781	MD HI	-	909	870	835	788	734	664						
Suction			MD LO	-	976	946	946	910	863	805	MD LO	-	830	804	804	774	734	684	1083729					
Unit Weight	262		LO	-	-	-	-	-	-	-	LO	-	-	-	-	-	-	-						

### 3 Ton

Style No:	PA9536AKA/PAPC36GA		Outdoor Ambient Temperature - Degrees F. Dry Bulb																									
			75				85				95				105				115									
			Entering Indoor Temperature - Degrees F. Wet Bulb																									
Voltage	208 / 230	Phase	1	Ampacity	29	IDB	59	63	67	71	59	63	67	71	59	63	67	71	59	63	67	71	59	63	67	71		
							Wire Ga/Ft	NEC																				
Delay Fuse	30																											
Max. Fuse	45																											
Compressor	COPELAND																											
RLA	16																											
LRA	88																											
Cap MFD/V	50 / 370																											
CC Heater																												
Start Kit																												
Cond & Evap	Cond	Evap																										
Type	Fan	Blower																										
Size	20	DD10-8																										
Motor-HP	1/3	1 / 2																										
Type	PSC	PSC																										
FLA	1.4	4.9																										
LRA	4.04	7.4																										
RPM	1120	1075																										
Cap MFD/V	5 / 370																											
PTCR	N/A																											
Hi Press	N/A																											
Low Press	N/A																											
Operating Chg (No Lines)*	(R-22 Oz) 96		Air Delivery in CFM - Dry Coil - No Filter (Add .05 static for Wet Coil)																									
Service Driers	16 Cu In / 11 oz	Suction	30 Sq In	230 Volt				External Static Press (Inch Water Column)				208 Volt				External Static Press (Inch Water Column)				1083730								
				Speed Tap	0.15	0.25	0.35	0.45	0.55	0.65	0.75	Speed Tap	0.15	0.25	0.35	0.45	0.55	0.65	0.75									
Unit Weight	302		HI	-	1589	1540	1467	1411	13219	1235	HI	-	1351	1309	1247	1199	11236	1050										
		MD HI	-	1471	1427	1379	1329	1256	1181	MD HI	-	1250	1213	1172	1130	1068	1004											
		MD LO	-	1373	1337	1292	1260	1186	1109	MD LO	-	1167	1136	1098	1071	1008	943											
		LO	-	1208	1190	1176	1137	1085	1019	LO	-	1027	1012	1000	966	922	866											

### 3 1/2 Ton

Style No:	PA9542AKA/PAPC42GA		Outdoor Ambient Temperature - Degrees F. Dry Bulb																									
			75				85				95				105				115									
			Entering Indoor Temperature - Degrees F. Wet Bulb																									
Voltage	208 / 230	Phase	1	Ampacity	31.6	IDB	59	63	67	71	59	63	67	71	59	63	67	71	59	63	67	71	59	63	67	71		
							Wire Ga/Ft	NEC																				
Delay Fuse	35																											
Max. Fuse	50																											
Compressor	COPELAND																											
RLA	18																											
LRA	104																											
Cap MFD/V	55 / 370																											
CC Heater																												
Start Kit																												
Cond & Evap	Cond	Evap																										
Type	Fan	Blower																										
Size	20	DD10-8																										
Motor-HP	1/3	1 / 2																										
Type	PSC	PSC																										
FLA	1.4	4.9																										
LRA	4.04	7.4																										
RPM	1120	1075																										
Cap MFD/V	5 / 370																											
PTCR	N/A																											
Hi Press	N/A																											
Low Press	N/A																											
Operating Chg (No Lines)*	(R-22 Oz) 96		Air Delivery in CFM - Dry Coil - No Filter (Add .05 static for Wet Coil)																									
Service Driers	16 Cu In / 11 oz	Suction	30 Sq In	230 Volt				External Static Press (Inch Water Column)				208 Volt				External Static Press (Inch Water Column)				1083731								
				Speed Tap	0.15	0.25	0.35	0.45	0.55	0.65	0.75	Speed Tap	0.15	0.25	0.35	0.45	0.55	0.65	0.75									
Unit Weight	310		HI	-	1589	-	1467	1411	13219	1235	HI	-	1351	-	1247	1199	11236	1050										
		MD HI	-	1471	1427	1379	1329	1256	1181	MD HI	-	1250	1213	1172	1130	1068	1004											
		MD LO	-	1373	1337	1292	1260	1186	1109	MD LO	-	1167	1136	1098	1071	1008	943											
		LO	-	1208	1190	1176	1137	1085	1019	LO	-	1027	1012	1000	966	922	866											

**4 Ton**

Style No:	PA9548AKA/PAPC48GA		Outdoor Ambient Temperature - Degrees F. Dry Bulb																					
			75				85				95				105				115					
Voltage	208 / 230		Entering Indoor Temperature - Degrees F. Wet Bulb																					
Phase	1		IDB																					
Ampacity	37.7			59	63	67	71	59	63	67	71	59	63	67	71	59	63	67	71	59	63	67	71	
Wire Ga/Ft	NEC		70	MBh	44.6	46.2	50.7	-	43.5	45.1	49.4	-	42.5	44.0	48.2	-	40.4	41.8	45.8	-	37.4	38.7	42.5	-
Delay Fuse	45			S/T	0.75	0.63	0.44	-	0.77	0.65	0.45	-	0.80	0.67	0.46	-	0.83	0.69	0.48	-	0.84	0.70	0.48	-
Max. Fuse	60			AMPS	18.6	19.0	19.5	-	19.9	20.3	20.9	-	21.1	21.5	22.1	-	22.2	22.7	23.4	-	23.4	23.9	24.6	-
Compressor	COPELAND			HI PR	186	200	211	-	211	227	240	-	241	259	273	-	271	291	308	-	299	322	340	-
RLA	23.7		LO PR	65	69	75	-	67	72	78	-	71	75	82	-	74	79	86	-	77	82	89	-	
LRA	129		75	MBh	45.4	46.7	50.6	54.3	44.3	45.6	49.3	53.0	43.2	44.5	48.1	51.7	41.0	42.3	45.7	49.1	38.0	39.1	42.4	45.5
Cap MFD/V	60 / 370			S/T	0.86	0.77	0.58	0.37	0.88	0.79	0.60	0.38	0.91	0.81	0.61	0.40	0.94	0.84	0.64	0.41	0.95	0.85	0.64	0.41
CC Heater				AMPS	18.7	19.1	19.6	20.2	20.1	20.5	21.1	21.8	21.3	21.7	22.3	23.1	22.4	22.9	23.6	24.3	23.6	24.1	24.8	25.6
Start Kit				HI PR	188	202	213	222	213	230	243	253	243	262	276	288	273	294	311	324	302	325	343	358
Cond & Evap	Cond	Evap	LO PR	66	70	76	81	68	73	79	84	72	76	83	89	75	80	87	93	78	83	90	96	
Type	Fan	Blower	80	MBh	46.2	47.2	50.4	53.9	45.1	46.1	49.2	52.6	44.0	44.9	48.0	51.3	41.8	42.7	45.6	48.7	38.7	39.5	42.2	45.2
Size	20	DD10-8		S/T	0.94	0.88	0.72	0.54	0.96	0.90	0.74	0.55	1.00	0.93	0.76	0.57	1.00	0.97	0.79	0.59	1.00	0.98	0.80	0.59
Motor-HP	1/3	1		AMPS	18.9	19.2	19.8	20.4	20.2	20.7	21.2	21.9	21.4	21.9	22.5	23.2	22.6	23.1	23.8	24.5	23.8	24.3	25.0	25.8
Type	PSC	PSC		HI PR	190	204	215	225	216	232	245	255	246	264	279	291	276	297	314	327	305	328	347	362
FLA	1.7	6.3	LO PR	66	70	77	82	69	73	80	85	72	77	84	89	76	81	88	94	78	83	91	97	
LRA	5	13.2	85	MBh	47.0	47.9	50.1	53.5	45.9	46.7	49.0	52.2	44.7	45.6	47.8	51.0	42.5	43.3	45.4	48.4	39.4	40.1	42.0	44.8
RPM	1140	1075		S/T	0.99	0.95	0.86	0.70	1.00	0.98	0.88	0.71	1.00	1.00	0.91	0.74	1.00	1.00	0.94	0.77	1.00	1.00	0.95	0.77
Cap MFD/V	7.5/370	20/370		AMPS	19.0	19.4	19.9	20.6	20.4	20.8	21.4	22.1	21.6	22.0	22.7	23.4	22.8	23.3	24.0	24.8	24.0	24.5	25.2	26.1
PTCR	N/A			HI PR	191	206	218	227	218	234	247	258	248	267	282	294	279	300	317	331	308	332	350	365
Hi Press	N/A		LO PR	67	71	78	83	70	74	81	86	73	78	85	90	77	81	89	95	79	84	92	98	
Low Press	N/A		Air Delivery in CFM - Dry Coil - No Filter ( Add .05 static for Wet Coil)																					
Operating Chg (No Lines)*	(R-22 Oz) 104		230 Volt External Static Press (Inch Water Column)								208 Volt External Static Press (Inch Water Column)													
			Speed Tap	0.15	0.25	0.35	0.45	0.55	0.65	0.75	Speed Tap	0.15	0.25	0.35	0.45	0.55	0.65	0.75						
Service Driers			HI	-	1904	1822	1736	1635	1530	1411	HI	-	1618	1549	1476	1390	1301	1199						
Liquid/Chg	30 Cu In / 17 oz		MD HI	-	1827	1759	1670	1572	1478	1377	MD HI	-	1553	1495	1420	1336	1256	1170						
Suction	30 Sq In		MD LO	-	1707	1651	1577	1497	1417	1322	MD LO	-	1451	1403	1340	1272	1204	1124						
Unit Weight	318		LO	-	-	-	-	-	-	-	LO	-	-	-	-	-	-	-						

1083732