

# **Parts List, Technical Labels, & Wiring Diagrams**

## **Models**

**PGAD42D1K5**

**PGAD42E1K5**

**PGAD47D1K5**

**PGAD47F1K5**

**PGAD60E1K5**

**PGAD60G1K5**

**PGME42G0905**

**PGME42G1155**

**PGME48G0905**

**PGME48G1355**

**PGME60G1155**

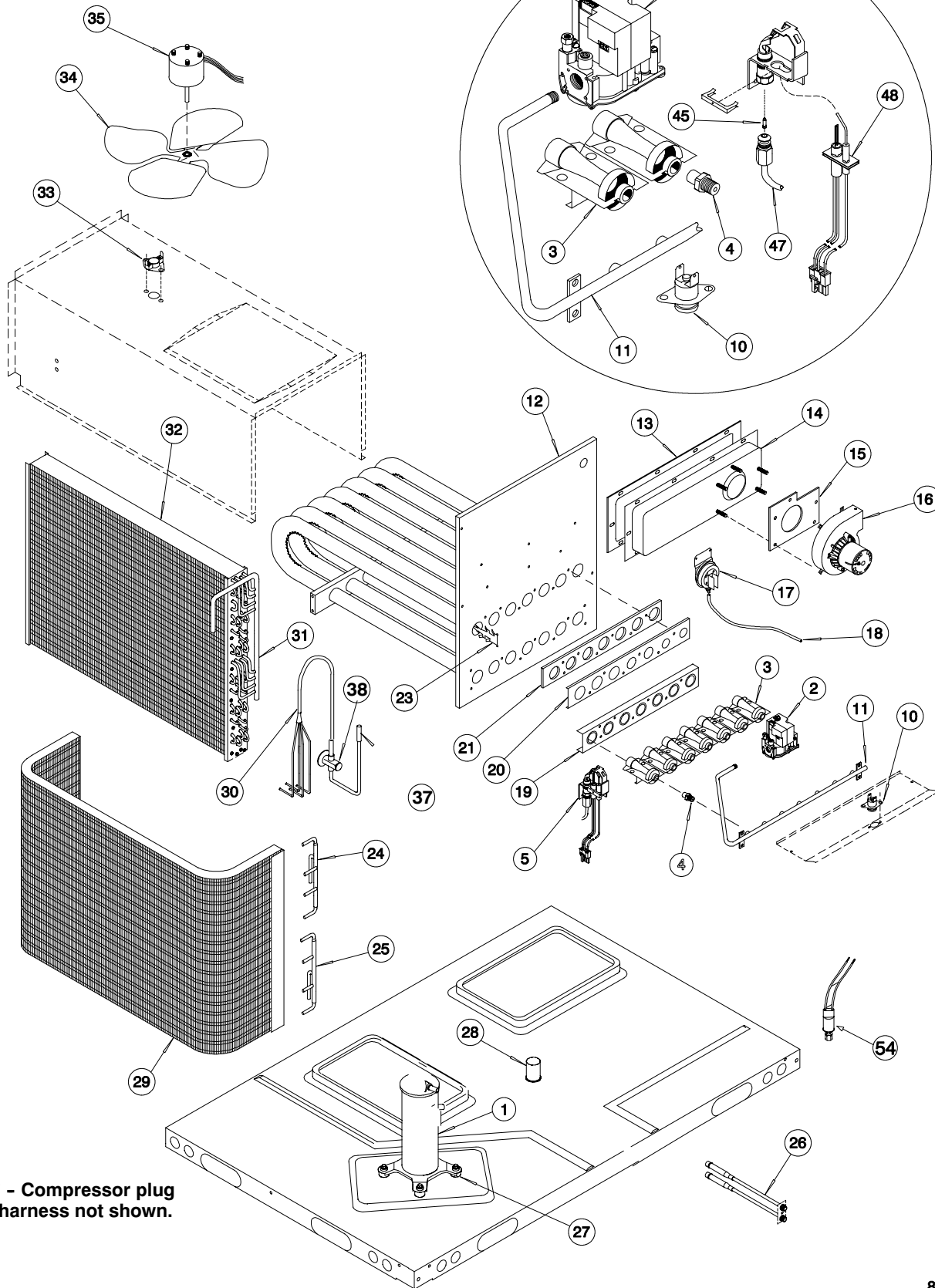
**PGME60G1505**

**Package Gas-Electric**

**Combination Units**

# Functional Parts

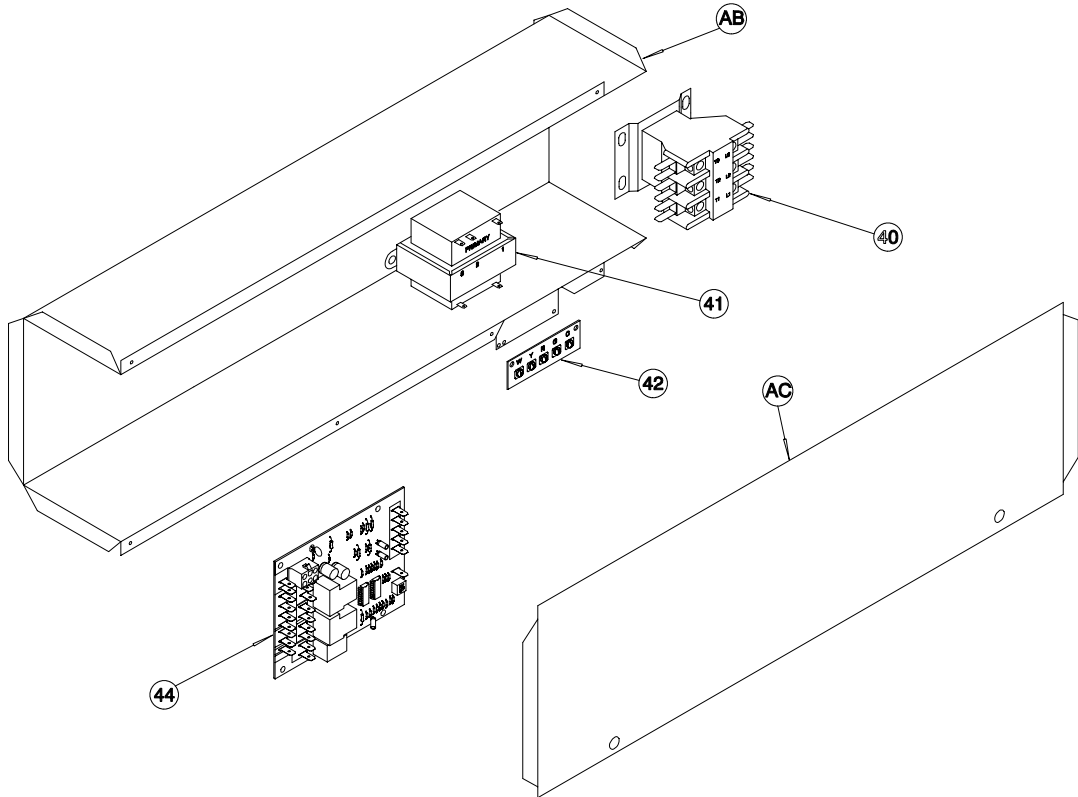
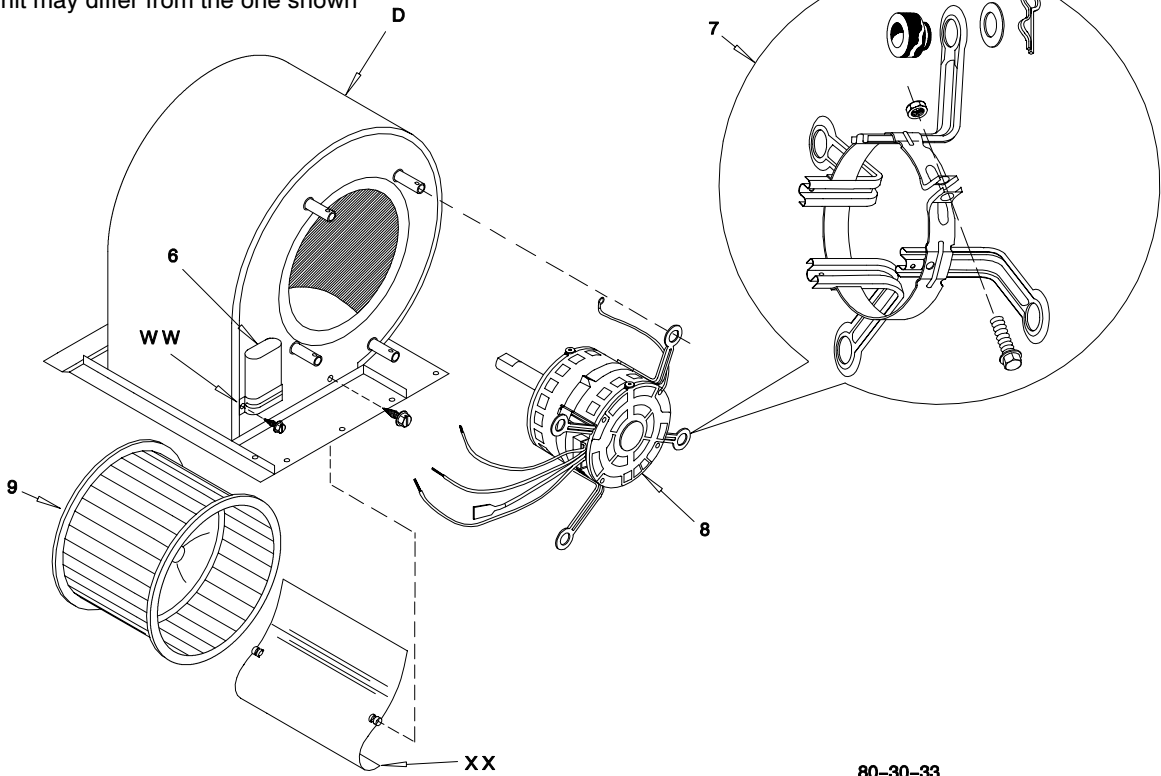
Illustration is for reference only,  
your unit may differ from the one shown



57 - Compressor plug  
& harness not shown.

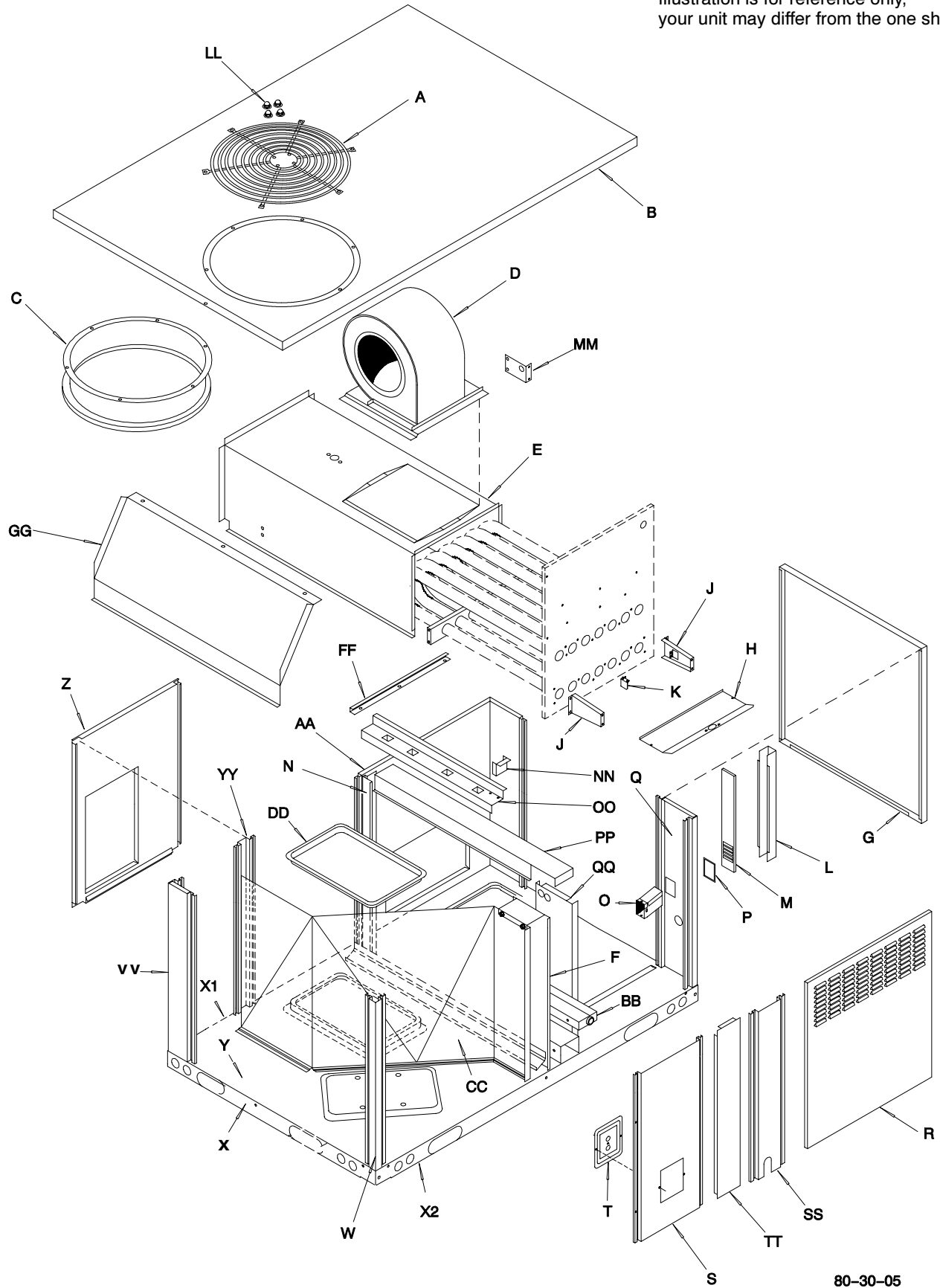
# Blower & Control Box Assemblies

Illustration is for reference only,  
your unit may differ from the one shown



# NON-FUNCTIONAL PARTS

Illustration is for reference only,  
your unit may differ from the one shown



80-30-05

|     |                                   |             | MODELS                    |                           |                           |                           |                           |                           |
|-----|-----------------------------------|-------------|---------------------------|---------------------------|---------------------------|---------------------------|---------------------------|---------------------------|
| No. | Description                       | Part Number | PGAD42D1K5<br>PGME42G0905 | PGAD42E1K5<br>PGME42G1155 | PGAD47D1K5<br>PGME48G0905 | PGAD47F1K5<br>PGME48G1355 | PGAD60E1K5<br>PGME60G1155 | PGAD60G1K5<br>PGME60G1505 |
| 1   | Compressor, ZR40K3PFV             | 1083000     | 1                         | 1                         |                           |                           |                           |                           |
| 1   | ZR46K3PFV                         | 1083018     | -                         | -                         | 1                         | 1                         |                           |                           |
| 1   | ZR57K3PFV                         | 1083019     | -                         | -                         | -                         | -                         | 1                         | 1                         |
| 2   | Valve, Gas (Nat. & L.P.)          | 1011024     | 1                         | 1                         | 1                         | 1                         | 1                         | 1                         |
| 3   | Burner Asy                        | 1008725     | 1                         |                           | 1                         |                           |                           |                           |
| 3   |                                   | 1008726     | -                         | 1                         |                           |                           | 1                         |                           |
| 3   |                                   | 1009179     | -                         | -                         | -                         | 1                         |                           |                           |
| 3   |                                   | 1009180     | -                         | -                         | -                         | -                         | -                         | 1                         |
| 4   | Orifice, Burner, Nat. #43         | 1065252     | 4                         | 5                         | 4                         | 6                         | 5                         | 7                         |
| 4   | L.P. # 55                         | 1065255     | 4                         | 5                         | 4                         | 6                         | 5                         | 7                         |
| 5   | Burner, Pilot/Igniter (Nat.-L.P.) | 1149856     | 1                         | 1                         | 1                         | 1                         | 1                         | 1                         |
| 6   | Capacitor, 15Mfd., 370Volt        | 1094959     | 1                         | 1                         | 1                         |                           |                           |                           |
| 6   | 20Mfd., 440Volt                   | 1094968     | -                         | -                         | -                         | 1                         | 1                         | 1                         |
| 7   | Mount, Motor Kit                  | 1004905     | 1                         | 1                         | 1                         |                           |                           |                           |
| 7   |                                   | 1002804     | -                         | -                         | -                         | 1                         | 1                         | 1                         |
| 8   | Motor, Blower 1/2 HP, 230 Volt    | 1065278     | 1                         | 1                         | 1                         |                           |                           |                           |
| 8   | 1 HP, 230 Volt                    | 1054585     | -                         | -                         | -                         | 1                         |                           |                           |
| 8   | 1 HP, 230 Volt                    | 1065129     | -                         | -                         | -                         | -                         | 1                         |                           |
| 8   | 1 HP, 230 Volt                    | 1054586     | -                         | -                         | -                         | -                         | -                         | 1                         |
| 9   | Wheel, Blower (10-9 DD)           | 1057877     | 1                         | 1                         | 1                         |                           |                           |                           |
| 9   | (11-11 DD)                        | 1054593     | -                         | -                         | -                         | 1                         | 1                         | 1                         |
| 10  | Switch, Limit (Rollout)           | 1005549     | 1                         | 1                         | 1                         | 1                         | 1                         | 1                         |
| 11  | Manifold, Gas                     | 1004140     | 1                         |                           | 1                         |                           |                           |                           |
| 11  |                                   | 1004141     | -                         | 1                         |                           |                           | 1                         |                           |
| 11  |                                   | 1054272     | -                         | -                         | -                         | 1                         |                           |                           |
| 11  |                                   | 1054414     | -                         | -                         | -                         | -                         | -                         | 1                         |
| 12  | Heat Exchanger                    | 1084482     | 1                         |                           | 1                         |                           |                           |                           |
| 12  |                                   | 1084483     | -                         | 1                         |                           |                           | 1                         |                           |
| 12  |                                   | 1084484     | -                         | -                         | -                         | 1                         |                           |                           |
| 12  |                                   | 1084485     | -                         | -                         | -                         | -                         | -                         | 1                         |
| 13  | Gasket, Collector Box             | 1065210     | 1                         | 1                         | 1                         | 1                         | 1                         | 1                         |
| 14  | Box, Collector                    | 1065257     | 1                         | 1                         | 1                         | 1                         | 1                         | 1                         |
| 15  | Gasket, Combustion Blower         | 607014      | 1                         | 1                         | 1                         | 1                         | 1                         | 1                         |
| 16  | Blower, Combustion                | 1054268     | 1                         | 1                         | 1                         | 1                         | 1                         | 1                         |
| 17  | Switch, Pressure                  | 1083165     | 1                         | 1                         | 1                         | 1                         | 1                         | 1                         |
| 18  | Tube, Sensor                      | 1003687     | 1                         | 1                         | 1                         | 1                         | 1                         | 1                         |
| 19  | Plate, Injector                   | 1084330     | 1                         |                           | 1                         |                           |                           |                           |
| 19  |                                   | 1084331     | -                         | 1                         |                           |                           | 1                         |                           |
| 19  |                                   | 1084332     | -                         | -                         | -                         | 1                         |                           |                           |
| 19  |                                   | 1084333     | -                         | -                         | -                         | -                         | -                         | 1                         |
| 20  | Plate, Restrictor                 | 1054395     | 1                         |                           | 1                         |                           |                           |                           |
| 20  |                                   | 1054394     | -                         | 1                         |                           |                           | 1                         |                           |
| 20  |                                   | 1054393     | -                         | -                         | -                         | 1                         |                           |                           |
| 20  |                                   | 1054392     | -                         | -                         | -                         | -                         | -                         | 1                         |
| 21  | Gasket, Restrictor Plate          | 1065214     | 1                         |                           | 1                         |                           |                           |                           |
| 21  |                                   | 1065213     | -                         | 1                         |                           |                           | 1                         |                           |
| 21  |                                   | 1065212     | -                         | -                         | -                         | 1                         |                           |                           |
| 21  |                                   | 1065211     | -                         | -                         | -                         | -                         | -                         | 1                         |
| 23  | Turbulator, Outlet                | 1054516     | 4                         | 5                         | 4                         | 6                         | 5                         | 7                         |
| 24  | Manifold, Condenser (Disch.)      | 1054556     | 1                         | 1                         | 1                         | 1                         | 1                         | 1                         |
| 25  | Manifold, Condenser (Liquid)      | 1065475     | 1                         | 1                         | 1                         | 1                         | 1                         | 1                         |
| 26  | Port Assembly                     | 1083619     | 1                         | 1                         | 1                         | 1                         | 1                         | 1                         |
| 27  | Grommet, Compressor Mtg.          | 1052060     | 4                         | 4                         | 4                         | 4                         | 4                         | 4                         |

|     |  |             | MODELS                    |                           |                           |                           |                           |                           |
|-----|--|-------------|---------------------------|---------------------------|---------------------------|---------------------------|---------------------------|---------------------------|
| No. | Description                                | Part Number | PGAD42D1K5<br>PGME42G0905 | PGAD42E1K5<br>PGME42G1155 | PGAD47D1K5<br>PGME48G0905 | PGAD47F1K5<br>PGME48G1355 | PGAD60E1K5<br>PGME60G1155 | PGAD60G1K5<br>PGME60G1505 |
| 28  | Capacitor, 55 + 7.5 Mfd., 370V.            | 1084310     | 1                         | 1                         |                           |                           |                           |                           |
| 28  | 60 + 7.5 Mfd., 370V                        | 1149997     | -                         | -                         | 1                         | 1                         |                           |                           |
| 28  | 80 + 7.5 Mfd., 370V                        | 1149999     | -                         | -                         | -                         | -                         | 1                         | 1                         |
| 29  | Coil, Condenser                            | 1066920     | 1                         | 1                         | 1                         | 1                         | 1                         | 1                         |
| 30  | Tube, Feeder Asy                           | 1067441     | 1                         | 1                         |                           |                           |                           |                           |
| 30  |  | 1067440     | -                         | -                         | 1                         | 1                         | 1                         | 1                         |
| 31  | Manifold, Evaporator                       | 1066589     | 1                         | 1                         |                           |                           |                           |                           |
| 31  |  | 1066077     | -                         | -                         | 1                         | 1                         | 1                         | 1                         |
| 32  | Coil, Evaporator                           | 1067439     | 1                         | 1                         |                           |                           |                           |                           |
| 32  |  | 1067438     | -                         | -                         | 1                         | 1                         | 1                         | 1                         |
| 33  | Switch, Limit (Blower Deck)                | 1065295     | 1                         |                           | 1                         | 1                         | 1                         |                           |
| 33  |  | 1065294     | -                         | 1                         |                           |                           |                           |                           |
| 33  |  | 1065702     | -                         | -                         | -                         | -                         | -                         | 1                         |
| 34  | Fan, Condenser                             | 1080795     | 1                         | 1                         | 1                         | 1                         | 1                         | 1                         |
| 35  | Motor, Cond. Fan, 1/2HP, 230V              | 1066350     | 1                         | 1                         | 1                         | 1                         | 1                         | 1                         |
| 37  | Tube, W/Strainer                           | 1066923     | 1                         | 1                         | 1                         | 1                         | 1                         | 1                         |
| 38  | Valve, Expansion                           | 1066926     | 1                         | 1                         | 1                         | 1                         |                           |                           |
| 38  |  | 1066901     | -                         | -                         | -                         | -                         | 1                         | 1                         |
| 40  | Contactora, 40 Amp, 2 Pole                 | 1053980     | 1                         | 1                         | 1                         | 1                         | 1                         | 1                         |
| 41  | Transformer, 208-240V Pri,<br>24V Sec 40VA | 1082611     | 1                         | 1                         | 1                         | 1                         | 1                         | 1                         |
| 42  | Board, Terminal Low Voltage                | 612254      | 1                         | 1                         | 1                         | 1                         | 1                         | 1                         |
| 44  | Timer, Fan                                 | 1009838     | 1                         | 1                         | 1                         | 1                         | 1                         | 1                         |
| 45  | Orifice, Pilot Burner Nat.(.020)           | 1160403     | 1                         | 1                         | 1                         | 1                         | 1                         | 1                         |
| 45  | L.P. (.012)                                | 612923      | 1                         | 1                         | 1                         | 1                         | 1                         | 1                         |
| 47  | Tube, Pilot                                | 64930       | 1                         | 1                         | 1                         | 1                         | 1                         | 1                         |
| 48  | Ignitor & Sensor                           | 1009524     | 1                         | 1                         | 1                         | 1                         | 1                         | 1                         |
| 54  | Switch, Low Pressure                       | 1081019     | 1                         | 1                         | 1                         | 1                         | 1                         | 1                         |
| 57  | Plug, Compressor Harness                   | 1083935     | 1                         | 1                         | 1                         | 1                         | 1                         | 1                         |
| A   | Grille, Outlet                             | 1064542     | 1                         | 1                         | 1                         | 1                         | 1                         | 1                         |
| AA  | Panel, Supply Air                          | 1068161     | 1                         | 1                         | 1                         | 1                         | 1                         | 1                         |
| AB  | Box, Control                               | 1054509     | 1                         | 1                         | 1                         | 1                         | 1                         | 1                         |
| AC  | Cover, Control Box                         | 1054510     | 1                         | 1                         | 1                         | 1                         | 1                         | 1                         |
| B   | Panel, Top                                 | 1068157     | 1                         | 1                         | 1                         | 1                         | 1                         | 1                         |
| BB  | Pan, Drain                                 | 1068366     | 1                         | 1                         | 1                         | 1                         | 1                         | 1                         |
| C   | Orifice, Condenser Fan                     | 1065725     | 1                         | 1                         | 1                         | 1                         | 1                         | 1                         |
| CC  | Partition, Return Air                      | 1054471     | 1                         | 1                         | 1                         | 1                         | 1                         | 1                         |
| D   | Housing, Blower                            | 1065072     | 1                         | 1                         | 1                         |                           |                           |                           |
| D   |  | 1065074     | -                         | -                         | -                         | 1                         | 1                         | 1                         |
| DD  | Cover, Duct                                | 1068158     | 2                         | 2                         | 2                         | 2                         | 2                         | 2                         |
| E   | Deck, Blower                               | 1065379     | 1                         | 1                         | 1                         | 1                         | 1                         | 1                         |
| F   | Baffle, Air                                | 1082435     | 1                         | 1                         | 1                         | 1                         | 1                         | 1                         |
| FF  | Bracket, Supply Air                        | 1054525     | 1                         | 1                         | 1                         | 1                         | 1                         | 1                         |
| G   | Panel, Access (Heat Exch.)                 | 1068181     | 1                         | 1                         | 1                         | 1                         | 1                         | 1                         |
| GG  | Baffle, Air                                | 1054522     | 1                         | 1                         | 1                         | 1                         | 1                         | 1                         |
| H   | Shield, Burner                             | 1054422     | 1                         |                           | 1                         |                           |                           |                           |
| H   |  | 1054267     | -                         | 1                         |                           |                           | 1                         |                           |
| H   |  | 1054382     | -                         | -                         | -                         | 1                         |                           |                           |
| H   |  | 1054415     | -                         | -                         | -                         | -                         | -                         | 1                         |
| J   | Support, Manifold                          | 1084327     | 2                         | 2                         | 2                         | 2                         | 2                         | 2                         |
| K   | Bracket, Ignitor                           | 1054275     | 1                         | 1                         | 1                         | 1                         | 1                         | 1                         |
| L   | Hood, Flue Exhaust                         | 1054621     | 1                         | 1                         | 1                         | 1                         | 1                         | 1                         |
| LL  | Nut, Cap                                   | 1067902     | 4                         | 4                         | 4                         | 4                         | 4                         | 4                         |

|     |                                 |               | MODELS                    |                           |                           |                           |                           |                           |
|-----|---------------------------------|---------------|---------------------------|---------------------------|---------------------------|---------------------------|---------------------------|---------------------------|
| No. | Description                     | Part Number   | PGAD42D1K5<br>PGME42G0905 | PGAD42E1K5<br>PGME42G1155 | PGAD47D1K5<br>PGME48G0905 | PGAD47F1K5<br>PGME48G1355 | PGAD60E1K5<br>PGME60G1155 | PGAD60G1K5<br>PGME60G1505 |
| M   | Support, Flue                   | 1054620       | 1                         | 1                         | 1                         | 1                         | 1                         | 1                         |
| MM  | Bracket, Blower Support         | 1065030       | -                         | -                         | -                         | 1                         | 1                         | 1                         |
| N   | Bracket, Evap                   | 1082436       | 1                         | 1                         | 1                         | 1                         | 1                         | 1                         |
| NN  | Bracket, Filter Top             | 1065618       | 1                         | 1                         | 1                         | 1                         | 1                         | 1                         |
| O   | Extension, Combustion Blower    | 1054461       | 1                         | 1                         | 1                         | 1                         | 1                         | 1                         |
| OO  | Support, Filter Top             | 1054502       | 1                         | 1                         | 1                         | 1                         | 1                         | 1                         |
| P   | Gasket, Extension               | 1065260       | 1                         | 1                         | 1                         | 1                         | 1                         | 1                         |
| PP  | Panel, Coil Support             | 1082434       | 1                         | 1                         | 1                         | 1                         | 1                         | 1                         |
| Q   | Post, Corner (Heating)          | 1068188       | 1                         | 1                         | 1                         | 1                         | 1                         | 1                         |
| QQ  | Panel, Heating Area             | 1054508       | 1                         | 1                         | 1                         | 1                         | 1                         | 1                         |
| R   | Panel Access (Gas)              | 1068184       | 1                         | 1                         | 1                         | 1                         | 1                         | 1                         |
| S   | Panel, Pressure Port            | 1068164       | 1                         | 1                         | 1                         | 1                         | 1                         | 1                         |
| SS  | Panel, Drain Outlet             | 1068162       | 1                         | 1                         | 1                         | 1                         | 1                         | 1                         |
| T   | Plate, Pressure Port            | 1068189       | 1                         | 1                         | 1                         | 1                         | 1                         | 1                         |
| TT  | Panel, Filter Access            | 1068175       | 1                         | 1                         | 1                         | 1                         | 1                         | 1                         |
| VV  | Post, Return Air                | 1068168       | 1                         | 1                         | 1                         | 1                         | 1                         | 1                         |
| W   | Post, Corner                    | 1068172       | 1                         | 1                         | 1                         | 1                         | 1                         | 1                         |
| WW  | Clamp, Capacitor                | 1095020       | 1                         | 1                         | 1                         |                           |                           |                           |
| WW  |                                 | 1095022       | -                         | -                         | -                         | 1                         | 1                         | 1                         |
| X   | Rail, Base                      | 1065001       | 2                         | 2                         | 2                         | 2                         | 2                         | 2                         |
| X1  | Rail, Base                      | 1054464       | 1                         | 1                         | 1                         | 1                         | 1                         | 1                         |
| X2  | Rail, Base                      | 1084078       | 1                         | 1                         | 1                         | 1                         | 1                         | 1                         |
| XX  | Panel, Blower Cutoff            | 95145         | 1                         | 1                         | 1                         |                           |                           |                           |
| XX  |                                 | 1065073       | -                         | -                         | -                         | 1                         | 1                         | 1                         |
| Y   | Panel, Base                     | 1054463       | 1                         | 1                         | 1                         | 1                         | 1                         | 1                         |
| YY  | Post, Center                    | 1068163       | 1                         | 1                         | 1                         | 1                         | 1                         | 1                         |
| Z   | Panel, Return Air               | 1068160       | 1                         | 1                         | 1                         | 1                         | 1                         | 1                         |
| Z1  | Grille, inlet (Front)           | 1082279       | 1                         | 1                         | 1                         | 1                         | 1                         | 1                         |
| Z2  | (End)                           | 1082281       | 1                         | 1                         | 1                         | 1                         | 1                         | 1                         |
| Z3  | (Rear)                          | 1082280       | 1                         | 1                         | 1                         | 1                         | 1                         | 1                         |
| )(  | Gas Conversion Kit Nat. To L.P. | 1084495       | 1                         |                           | 1                         |                           |                           |                           |
| )(  |                                 | 1084496       | -                         | 1                         |                           |                           | 1                         |                           |
| )(  |                                 | 1084497       | -                         | -                         | -                         | 1                         |                           |                           |
| )(  |                                 | 1084498       | -                         | -                         | -                         | -                         | -                         | 1                         |
| )(  | Gas Conversion Kit L.P. To Nat. | 1148142       | 1                         | 1                         | 1                         | 1                         | 1                         | 1                         |
| )(  | Manual, Installation            | 4620110<br>01 | 1                         | 1                         | 1                         | 1                         | 1                         | 1                         |
| )(  | Manual, Users                   | 1068276       | 1                         | 1                         | 1                         | 1                         | 1                         | 1                         |





# Technical Labels

| Style No:                 | PGAD47D1KB / PGME48G090B |        |                  | Outdoor Ambient Temperature - Degrees F. Dry Bulb |  |           |      |      |   |      |      |      |           |      |      |      |   |      |      |      |           |      |      |      |      |      |      |      |
|---------------------------|--------------------------|--------|------------------|---|--|-----------|------|------|---|------|------|------|-----------|------|------|------|---|------|------|------|-----------|------|------|------|------|------|------|------|
|                           |                          |        |                  | 75  |  |           |      | 85   |   |      |      | 95   |           |      |      | 105  |   |      |      | 115  |           |      |      |      |      |      |      |      |
|                           |                          |        |                  | Entering Indoor Temperature - Degrees F. Wet Bulb |  |           |      |      |   |      |      |      |           |      |      |      |   |      |      |      |           |      |      |      |      |      |      |      |
| Voltage                   | 208 / 230                |        | Gas Type         | NAT   | IDB  | 59        | 63   | 67   | 71  | 59   | 63   | 67   | 71        | 59   | 63   | 67   | 71  | 59   | 63   | 67   | 71        | 59   | 63   | 67   | 71   |      |      |      |
|                           | Phase                    | 1      |                  |   |  | Std Input | 90   | 70   | 44.6                                      | 46.2 | 50.7 | -    | 43.5      | 45.1 | 49.4 | -    | 42.5                                      | 44.0 | 48.2 | -    | 40.4      | 41.8 | 45.8 | -    | 37.4 | 38.7 | 42.5 | -    |
| Ampacity                  | 35.8                     |        | Low Fire Input   | 75  | 70   | 0.77      | 0.65 | 0.45 | -   | 0.79 | 0.66 | 0.46 | -         | 0.82 | 0.68 | 0.47 | -   | 0.85 | 0.71 | 0.49 | -         | 0.86 | 0.72 | 0.50 | -    |      |      |      |
| Wire Ga/Ft                | 8 / 61                   |        | Std Output       | 71  | 70   | 17.9      | 18.3 | 18.8 | -   | 19.2 | 19.6 | 20.1 | -         | 20.3 | 20.7 | 21.3 | -   | 21.4 | 21.8 | 22.5 | -         | 22.5 | 22.9 | 23.6 | -    |      |      |      |
| Delay Fuse                | 45                       |        | Low Fire Output  | 60  | 70   | 178       | 192  | 203  | -   | 203  | 218  | 231  | -         | 231  | 249  | 263  | -   | 260  | 280  | 295  | -         | 287  | 309  | 326  | -    |      |      |      |
| Max. Fuse                 | 50                       |        | Gas Valve (HSP)  | HW  | 70   | 65        | 69   | 75   | -   | 67   | 72   | 78   | -         | 71   | 75   | 82   | -   | 74   | 79   | 86   | -         | 77   | 82   | 89   | -    |      |      |      |
| Compressor                | COPELAND                 |        | Regulation       | SNAP  | 75   | 45.4      | 46.7 | 50.6 | 54.3                                      | 44.3 | 45.6 | 49.3 | 53.0      | 43.2 | 44.5 | 48.1 | 51.7                                      | 41.0 | 42.3 | 45.7 | 49.1      | 38.0 | 39.1 | 42.4 | 45.5 |      |      |      |
| RLA                       | 23.7                     |        | Manifold Press   | 3.5   | 75   | 0.88      | 0.79 | 0.60 | 0.38                                      | 0.90 | 0.81 | 0.61 | 0.39      | 0.93 | 0.83 | 0.63 | 0.41                                      | 0.97 | 0.86 | 0.65 | 0.42      | 0.98 | 0.87 | 0.66 | 0.42 |      |      |      |
| LRA                       | 129                      |        | Std orifice      | 43  | 75   | 18.1      | 18.4 | 18.9 | 19.5                                      | 19.3 | 19.7 | 20.3 | 20.9      | 20.5 | 20.9 | 21.5 | 22.1                                      | 21.6 | 22.0 | 22.6 | 23.4      | 22.6 | 23.1 | 23.8 | 24.6 |      |      |      |
| Cap MFD/V                 | 60 / 440                 |        | Low Fire Orifice | 46  | 75   | 180       | 194  | 205  | 214                                       | 205  | 221  | 233  | 243       | 233  | 251  | 265  | 277                                       | 263  | 283  | 298  | 311       | 290  | 312  | 330  | 344  |      |      |      |
| CC Heater                 |                          |        | Pilot Orifice    | 0.018   | 75   | 66        | 70   | 76   | 81  | 68   | 73   | 79   | 84        | 72   | 76   | 83   | 89  | 75   | 80   | 87   | 93        | 78   | 83   | 90   | 96   |      |      |      |
| Start Kit                 | NAMA001SC                |        | Temp Rise        | 30 - 60   | 80   | 46.2      | 47.2 | 50.4 | 53.9                                      | 45.1 | 46.1 | 49.2 | 52.6      | 44.0 | 44.9 | 48.0 | 51.3                                      | 41.8 | 42.7 | 45.6 | 48.7      | 38.7 | 39.5 | 42.2 | 45.2 |      |      |      |
| Cond & Evap               | Cond                     | Evap   | Ignition Type    | HSP   | 80   | 0.97      | 0.91 | 0.74 | 0.55                                      | 0.99 | 0.93 | 0.76 | 0.56      | 1.00 | 0.96 | 0.78 | 0.58                                      | 1.00 | 0.99 | 0.81 | 0.61      | 1.00 | 1.00 | 0.82 | 0.61 |      |      |      |
| Type                      | Fan                      | Blower | Fan On/Off       | TIME  | 80   | 18.2      | 18.6 | 19.1 | 19.7                                      | 19.5 | 19.9 | 20.4 | 21.1      | 20.6 | 21.0 | 21.6 | 22.3                                      | 21.7 | 22.2 | 22.8 | 23.6      | 22.8 | 23.3 | 24.0 | 24.8 |      |      |      |
| Size                      | 22                       | DD10-9 | Limit Set Max    | 135   | 80   | 182       | 196  | 207  | 216                                       | 207  | 223  | 235  | 245       | 236  | 254  | 268  | 280                                       | 265  | 286  | 302  | 314       | 293  | 315  | 333  | 347  |      |      |      |
| Motor-HP                  | 1/2                      | 1/2    | Heat Antic       | 0.58  | 80   | 66        | 70   | 77   | 82  | 69   | 73   | 80   | 85        | 72   | 77   | 84   | 89  | 76   | 81   | 88   | 94        | 78   | 83   | 91   | 97   |      |      |      |
| Type                      | PSC                      | PSC    |                  |   | 85   | 47.0      | 47.9 | 50.1 | 53.5                                      | 45.9 | 46.7 | 49.0 | 52.2      | 44.7 | 45.6 | 47.8 | 51.0                                      | 42.5 | 43.3 | 45.4 | 48.4      | 39.4 | 40.1 | 42.0 | 44.8 |      |      |      |
| FLA                       | 1.8                      | 4.4    |                  |   | 85   | 1.00      | 0.98 | 0.88 | 0.72                                      | 1.00 | 1.00 | 0.90 | 0.73      | 1.00 | 1.00 | 0.93 | 0.76                                      | 1.00 | 1.00 | 0.97 | 0.79      | 1.00 | 1.00 | 0.98 | 0.79 |      |      |      |
| LRA                       | 6                        | 8.6    |                  |   | 85   | 18.3      | 18.7 | 19.2 | 19.8                                      | 19.6 | 20.0 | 20.6 | 21.3      | 20.8 | 21.2 | 21.8 | 22.5                                      | 21.9 | 22.4 | 23.0 | 23.8      | 23.0 | 23.5 | 24.2 | 25.0 |      |      |      |
| RPM                       | 1145                     | 1125   |                  |   | 85   | 184       | 198  | 209  | 218                                       | 209  | 225  | 238  | 248       | 238  | 256  | 271  | 282                                       | 268  | 288  | 305  | 318       | 296  | 319  | 336  | 351  |      |      |      |
| Cap MFD/V                 | 7.5/440                  | 15/370 |                  |   | 85   | 67        | 71   | 78   | 83  | 70   | 74   | 81   | 86        | 73   | 78   | 85   | 90  | 77   | 81   | 89   | 95        | 79   | 84   | 92   | 98   |      |      |      |
| PTCR                      |                          |        |                  |   | Air Delivery in CFM - Dry Coil - No Filter (Add .05 static for Wet Coil) |           |      |      |   |      |      |      |           |      |      |      |   |      |      |      |           |      |      |      |      |      |      |      |
| Hi Press                  |                          |        |                  |   | 230 Volt   |           |      |      | External Static Press (Inch Water Column) |      |      |      | 208 Volt  |      |      |      | External Static Press (Inch Water Column) |      |      |      |           |      |      |      |      |      |      |      |
| Low Press                 |                          |        |                  |   | Speed Tap  | 0.1       | 0.2  | 0.3  | 0.4                                       | 0.5  | 0.6  | 0.7  | Speed Tap | 0.1  | 0.2  | 0.3  | 0.4                                       | 0.5  | 0.6  | 0.7  | Speed Tap | 0.1  | 0.2  | 0.3  | 0.4  | 0.5  | 0.6  | 0.7  |
| Operating Chg (No Lines)* | (R-22 Oz)                |        |                  |   | HI   | 1925      | 1860 | 1795 | 1725                                      | 1650 | 1570 | 1485 | HI        | 1805 | 1755 | 1700 | 1640                                      | 1575 | 1500 | 1415 | HI        | 2025 | 1995 | 1960 | 1915 | 1870 | 1810 | 1745 |
| Service Driers            | 30 Cu In / 17 oz         |        |                  |   | MD HI  | 1785      | 1735 | 1680 | 1620                                      | 1560 | 1485 | 1405 | MD HI     | 1610 | 1580 | 1540 | 1495                                      | 1440 | 1375 | 1300 | MD HI     | 1560 | 1545 | 1530 | 1505 | 1475 | 1435 | 1390 |
| Liquid/Chg                | 30 Sq In                 |        |                  |   | MD LO  | 1570      | 1540 | 1505 | 1465                                      | 1415 | 1380 | 1280 | MD LO     | 1385 | 1355 | 1330 | 1300                                      | 1265 | 1215 | 1155 | MD LO     | -    | -    | -    | -    | -    | -    | -    |
| Suction                   | 30 Sq In                 |        |                  |   | LO   | 1485      | 1460 | 1430 | 1395                                      | 1345 | 1290 | 1225 | LO        | 1270 | 1265 | 1250 | 1225                                      | 1190 | 1140 | 1085 | LO        | -    | -    | -    | -    | -    | -    | -    |
| Unit Weight               | 600                      |        |                  |   |  |           |      |      |   |      |      |      |           |      |      |      |   |      |      |      | 1082487   |      |      |      |      |      |      |      |

| Style No:                 | PGAD47F1KB / PGME48G135B |         |                  | Outdoor Ambient Temperature - Degrees F. Dry Bulb |  |           |           |      |   |      |      |      |           |      |      |      |   |      |      |        |           |      |      |      |      |      |      |      |
|---------------------------|--------------------------|---------|------------------|---|--|-----------|-----------|------|---|------|------|------|-----------|------|------|------|---|------|------|--------|-----------|------|------|------|------|------|------|------|
|                           |                          |         |                  | 75  |  |           |           | 85   |   |      |      | 95   |           |      |      | 105  |   |      |      | 115    |           |      |      |      |      |      |      |      |
|                           |                          |         |                  | Entering Indoor Temperature - Degrees F. Wet Bulb |  |           |           |      |   |      |      |      |           |      |      |      |   |      |      |        |           |      |      |      |      |      |      |      |
| Voltage                   | 208 / 230                |         | Gas Type         | NAT   | IDB  | 59        | 63        | 67   | 71  | 59   | 63   | 67   | 71        | 59   | 63   | 67   | 71  | 59   | 63   | 67     | 71        | 59   | 63   | 67   | 71   |      |      |      |
|                           | Phase                    | 1       |                  |   |  | Std Input | 135 / 110 | 70   | 44.6                                      | 46.2 | 50.7 | -    | 43.5      | 45.1 | 49.4 | -    | 42.5                                      | 44.0 | 48.2 | -      | 40.4      | 41.8 | 45.8 | -    | 37.4 | 38.7 | 42.5 | -    |
| Ampacity                  | 36                       |         | Low Fire Input   | 110   | 70   | 0.77      | 0.65      | 0.45 | -   | 0.79 | 0.66 | 0.46 | -         | 0.82 | 0.68 | 0.47 | -   | 0.85 | 0.71 | 0.49   | -         | 0.86 | 0.72 | 0.50 | -    |      |      |      |
| Wire Ga/Ft                | 8 / 61                   |         | Std Output       | 106   | 70   | 17.9      | 18.3      | 18.8 | -   | 19.2 | 19.6 | 20.1 | -         | 20.3 | 20.7 | 21.3 | -   | 21.4 | 21.8 | 22.5   | -         | 22.5 | 22.9 | 23.6 | -    |      |      |      |
| Delay Fuse                | 45                       |         | Low Fire Output  | 87  | 70   | 178       | 192       | 203  | -   | 203  | 218  | 231  | -         | 231  | 249  | 263  | -   | 260  | 280  | 295    | -         | 287  | 309  | 326  | -    |      |      |      |
| Max. Fuse                 | 50                       |         | Gas Valve (HSP)  | HW  | 70   | 65        | 69        | 75   | -   | 67   | 72   | 78   | -         | 71   | 75   | 82   | -   | 74   | 79   | 86     | -         | 77   | 82   | 89   | -    |      |      |      |
| Compressor                | COPELAND                 |         | Regulation       | SNAP  | 75   | 45.4      | 46.7      | 50.6 | 54.3                                      | 44.3 | 45.6 | 49.3 | 53.0      | 43.2 | 44.5 | 48.1 | 51.7                                      | 41.0 | 42.3 | 45.7   | 49.1      | 38.0 | 39.1 | 42.4 | 45.5 |      |      |      |
| RLA                       | 23.7                     |         | Manifold Press   | 3.5   | 75   | 0.88      | 0.79      | 0.60 | 0.38                                      | 0.90 | 0.81 | 0.61 | 0.39      | 0.93 | 0.83 | 0.63 | 0.41                                      | 0.97 | 0.86 | 0.65   | 0.42      | 0.98 | 0.87 | 0.66 | 0.42 |      |      |      |
| LRA                       | 129                      |         | Std orifice      | 43  | 75   | 18.1      | 18.4      | 18.9 | 19.5                                      | 19.3 | 19.7 | 20.3 | 20.9      | 20.5 | 20.9 | 21.5 | 22.1                                      | 21.6 | 22.0 | 22.6   | 23.4      | 22.6 | 23.1 | 23.8 | 24.6 |      |      |      |
| Cap MFD/V                 | 60 / 440                 |         | Low Fire Orifice | 46  | 75   | 180       | 194       | 205  | 214                                       | 205  | 221  | 233  | 243       | 233  | 251  | 265  | 277                                       | 263  | 283  | 298    | 311       | 290  | 312  | 330  | 344  |      |      |      |
| CC Heater                 |                          |         | Pilot Orifice    | 0.018   | 75   | 66        | 70        | 76   | 81  | 68   | 73   | 79   | 84        | 72   | 76   | 83   | 89  | 75   | 80   | 87     | 93        | 78   | 83   | 90   | 96   |      |      |      |
| Start Kit                 | NAMA001SC                |         | Temp Rise        | 35 - 65   | 80   | 46.2      | 47.2      | 50.4 | 53.9                                      | 45.1 | 46.1 | 49.2 | 52.6      | 44.0 | 44.9 | 48.0 | 51.3                                      | 41.8 | 42.7 | 45.6   | 48.7      | 38.7 | 39.5 | 42.2 | 45.2 |      |      |      |
| Cond & Evap               | Cond                     | Evap    | Ignition Type    | HSP   | 80   | 0.97      | 0.91      | 0.74 | 0.55                                      | 0.99 | 0.93 | 0.76 | 0.56      | 1.00 | 0.96 | 0.78 | 0.58                                      | 1.00 | 0.99 | 0.81   | 0.61      | 1.00 | 1.00 | 0.82 | 0.61 |      |      |      |
| Type                      | Fan                      | Blower  | Fan On/Off       | TIME  | 80   | 18.2      | 18.6      | 19.1 | 19.7                                      | 19.5 | 19.9 | 20.4 | 21.1      | 20.6 | 21.0 | 21.6 | 22.3                                      | 21.7 | 22.2 | 22.8   | 23.6      | 22.8 | 23.3 | 24.0 | 24.8 |      |      |      |
| Size                      | 22                       | DD11-11 | Limit Set Max    | 135   | 80   | 182       | 196       | 207  | 216                                       | 207  | 223  | 235  | 245       | 236  | 254  | 268  | 280                                       | 265  | 286  | 302    | 314       | 293  | 315  | 333  | 347  |      |      |      |
| Motor-HP                  | 1/2                      | 1       | Heat Antic       | 0.58  | 80   | 66        | 70        | 77   | 82  | 69   | 73   | 80   | 85        | 72   | 77   | 84   | 89  | 76   | 81   | 88     | 94        | 78   | 83   | 91   | 97   |      |      |      |
| Type                      | PSC                      | PSC     |                  |   | 85   | 47.0      | 47.9      | 50.1 | 53.5                                      | 45.9 | 46.7 | 49.0 | 52.2      | 44.7 | 45.6 | 47.8 | 51.0                                      | 42.5 | 43.3 | 45.4   | 48.4      | 39.4 | 40.1 | 42.0 | 44.8 |      |      |      |
| FLA                       | 1.8                      | 4.6     |                  |   | 85   | 1.00      | 0.98      | 0.88 | 0.72                                      | 1.00 | 1.00 | 0.90 | 0.73      | 1.00 | 1.00 | 0.93 | 0.76                                      | 1.00 | 1.00 | 0.97   | 0.79      | 1.00 | 1.00 | 0.98 | 0.79 |      |      |      |
| LRA                       | 6                        | 7.9     |                  |   | 85   | 18.3      | 18.7      | 19.2 | 19.8                                      | 19.6 | 20.0 | 20.6 | 21.3      | 20.8 | 21.2 | 21.8 | 22.5                                      | 21.9 | 22.4 | 23.0   | 23.8      | 23.0 | 23.5 | 24.2 | 25.0 |      |      |      |
| RPM                       | 1145                     | 1125    |                  |   | 85   | 184       | 198       | 209  | 218                                       | 209  | 225  | 238  | 248       | 238  | 256  | 271  | 282                                       | 268  | 288  | 305    | 318       | 296  | 319  | 336  | 351  |      |      |      |
| Cap MFD/V                 | 7.5/440                  | 15/370  |                  |   | 85   | 67        | 71        | 78   | 83  | 70   | 74   | 81   | 86        | 73   | 78   | 85   | 90  | 77   | 81   | 89     | 95        | 79   | 84   | 92   | 98   |      |      |      |
| PTCR                      |                          |         |                  |   | Air Delivery in CFM - Dry Coil - No Filter (Add .05 static for Wet Coil) |           |           |      |   |      |      |      |           |      |      |      |   |      |      |        |           |      |      |      |      |      |      |      |
| Hi Press                  |                          |         |                  |   | 230 Volt   |           |           |      | External Static Press (Inch Water Column) |      |      |      | 208 Volt  |      |      |      | External Static Press (Inch Water Column) |      |      |        |           |      |      |      |      |      |      |      |
| Low Press                 |                          |         |                  |   | Speed Tap  | 0.1       | 0.2       | 0.3  | 0.4                                       | 0.5  | 0.6  | 0.7  | Speed Tap | 0.1  | 0.2  | 0.3  | 0.4                                       | 0.5  | 0.6  | 0.7    | Speed Tap | 0.1  | 0.2  | 0.3  | 0.4  | 0.5  | 0.6  | 0.7  |
| Operating Chg (No Lines)* | (R-22 Oz)                |         |                  |   | HI   | 2260      | 2185      | 2125 | 2065                                      | 2010 | 1950 | 1875 | HI        | 2025 | 1995 | 1960 | 1915                                      | 1870 | 1810 | 1745   | HI        | 2025 | 1995 | 1960 | 1915 | 1870 | 1810 | 1745 |
| Service Driers            | 30 Cu In / 17 oz         |         |                  |   | MD HI  | 1830      | 1805      | 1775 | 1735                                      | 1690 | 1635 | 1580 | MD HI     | 1560 | 1545 | 1530 | 1505                                      | 1475 | 1435 | 1390   | MD HI     | 1560 | 1545 | 1530 | 1505 | 1475 | 1435 | 1390 |
| Liquid/Chg                | 30 Sq In                 |         |                  |   | MD LO  | -         | -         | -    | -   | -    | -    | -    | MD LO     | -    | -    | -    | -   | -    | -    | -      | MD LO     | -    | -    | -    | -    | -    | -    | -    |
| Suction                   | 30 Sq In                 |         |                  |   | LO   | 1700      | 1685      | 1660 | 1625                                      | 1585 | 1540 | 1485 | LO        | 1445 | 1430 | 1415 | 1390                                      | 1355 | 1320 | 1275</ |           |      |      |      |      |      |      |      |

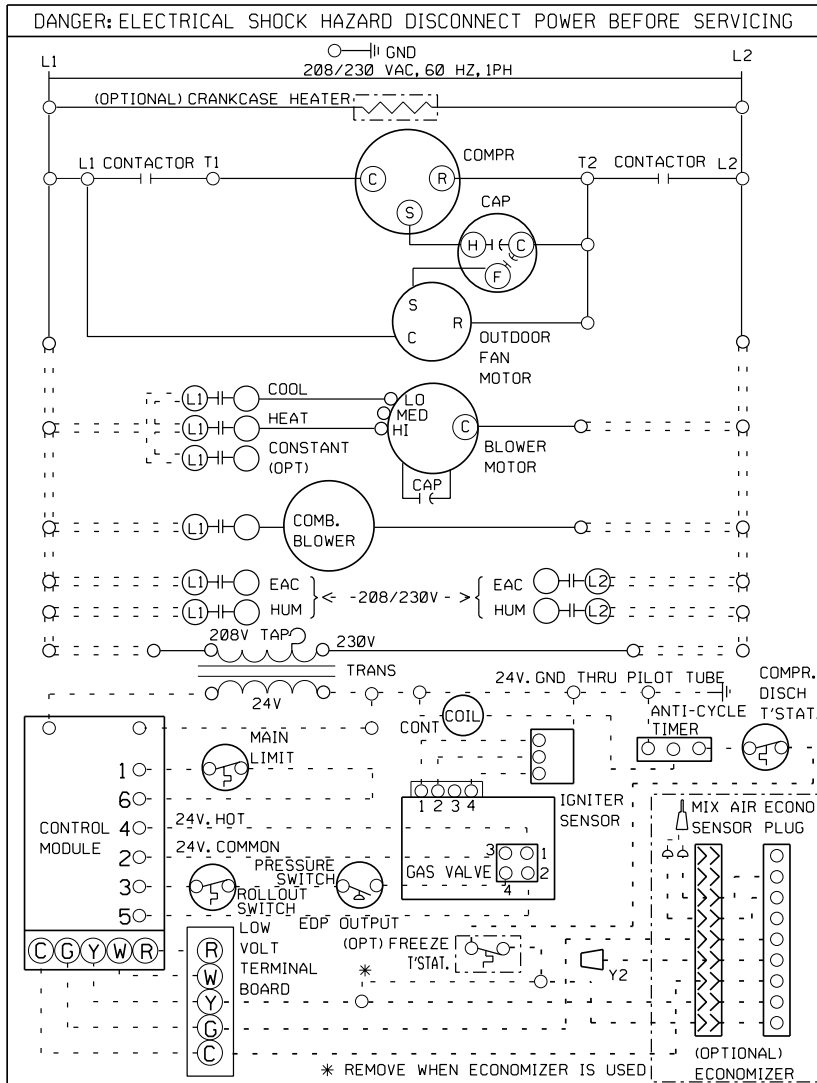
# Technical Labels

| Style No:                 | PGAD60E1KB / PGME60G115B  |         |                  |         | Outdoor Ambient Temperature - Degrees F. Dry Bulb                        |      |      |      |   |      |      |      |   |      |      |      |   |      |      |      |           |      |      |      |      |      |      |      |
|---------------------------|---------------------------|---------|------------------|---------|--|------|------|------|---|------|------|------|---|------|------|------|---|------|------|------|-----------|------|------|------|------|------|------|------|
| Voltage                   | 208 / 230                 |         | Gas Type         | NAT     | 75   |      |      |      | 85  |      |      |      | 95  |      |      |      | 105                                       |      |      |      | 115       |      |      |      |      |      |      |      |
| Phase                     | 1                         |         | Std Input        | 115     | Entering Indoor Temperature - Degrees F. Wet Bulb                        |      |      |      |   |      |      |      |   |      |      |      |   |      |      |      |           |      |      |      |      |      |      |      |
| Ampacity                  | 42.9                      |         | Low Fire Input   | 91      | 59   | 63   | 67   | 71   | 59  | 63   | 67   | 71   | 59  | 63   | 67   | 71   | 59  | 63   | 67   | 71   | 59        | 63   | 67   | 71   |      |      |      |      |
| Wire Ga/Ft                | 6 / 76                    |         | Std Output       | 95      | 70   |      |      |      | 75  |      |      |      | 80  |      |      |      | 85  |      |      |      |           |      |      |      |      |      |      |      |
| Delay Fuse                | 60                        |         | Low Fire Output  | 75      | MBh  | 54.4 | 56.3 | 61.7 | -   | 53.1 | 55.0 | 60.3 | -   | 51.8 | 53.7 | 58.8 | -   | 49.2 | 51.0 | 55.9 | -         | 45.6 | 47.2 | 51.7 | -    |      |      |      |
| Max. Fuse                 | 70                        |         | Gas Valve (HSP)  | HW      | S/T  | 0.72 | 0.61 | 0.42 | -   | 0.74 | 0.62 | 0.43 | -   | 0.77 | 0.64 | 0.44 | -   | 0.80 | 0.66 | 0.46 | -         | 0.80 | 0.67 | 0.46 | -    |      |      |      |
| Compressor                | COPELAND                  |         | Regulation       | SNAP    | AMPS   | 22.5 | 22.9 | 23.6 | -   | 24.1 | 24.6 | 25.3 | -   | 25.5 | 26.1 | 26.8 | -   | 26.9 | 27.5 | 28.3 | -         | 28.3 | 29.0 | 29.8 | -    |      |      |      |
| RLA                       | 28.8                      |         | Manifold Press   | 3.5     | HI PR  | 186  | 201  | 212  | -   | 212  | 228  | 241  | -   | 241  | 260  | 274  | -   | 272  | 292  | 309  | -         | 300  | 323  | 341  | -    |      |      |      |
| LRA                       | 169                       |         | Std orifice      | 43      | LO PR  | 65   | 69   | 75   | -   | 67   | 71   | 78   | -   | 70   | 75   | 82   | -   | 74   | 79   | 86   | -         | 76   | 81   | 89   | -    |      |      |      |
| Cap MFD/V                 | 80 / 440                  |         | Low Fire Orifice | 46      | 75   |      |      |      | 80  |      |      |      | 85  |      |      |      | 90  |      |      |      |           |      |      |      |      |      |      |      |
| CC Heater                 | 80 / 440                  |         | Pilot Orifice    | 0.018   | MBh  | 55.3 | 56.9 | 61.6 | 66.1                                      | 54.0 | 55.6 | 60.1 | 64.5                                      | 52.7 | 54.2 | 58.7 | 63.0                                      | 50.0 | 51.5 | 55.7 | 59.8      | 46.3 | 47.7 | 51.6 | 55.4 |      |      |      |
| Start Kit                 | NAMA001SC                 |         | Temp Rise        | 30 - 60 | S/T  | 0.82 | 0.74 | 0.56 | 0.36                                      | 0.84 | 0.76 | 0.57 | 0.37                                      | 0.87 | 0.78 | 0.59 | 0.38                                      | 0.90 | 0.81 | 0.61 | 0.39      | 0.91 | 0.82 | 0.62 | 0.40 |      |      |      |
| Cond & Evap               | Cond                      | Evap    | Ignition Type    | HSP     | AMPS   | 22.6 | 23.1 | 23.7 | 24.5                                      | 24.3 | 24.8 | 25.5 | 26.3                                      | 25.7 | 26.3 | 27.0 | 27.9                                      | 27.2 | 27.8 | 28.6 | 29.5      | 28.6 | 29.2 | 30.1 | 31.1 |      |      |      |
| Type                      | Fan                       | Blower  | Fan On/Off       | TIME    | HI PR  | 188  | 203  | 214  | 223                                       | 214  | 230  | 243  | 254                                       | 244  | 263  | 277  | 289                                       | 274  | 295  | 312  | 325       | 303  | 326  | 345  | 359  |      |      |      |
| Size                      | 22                        | DD11-11 | Limit Set Max    | 135     | LO PR  | 65   | 69   | 76   | 81  | 68   | 72   | 79   | 84  | 71   | 76   | 83   | 88  | 75   | 79   | 87   | 92        | 77   | 82   | 90   | 95   |      |      |      |
| Motor-HP                  | 1/2                       | 1       | Heat Antic       | 0.58    | 80   |      |      |      | 85  |      |      |      | 90  |      |      |      | 95  |      |      |      |           |      |      |      |      |      |      |      |
| Type                      | PSC                       | PSC     |                  |         | MBh  | 56.3 | 57.5 | 61.4 | 65.7                                      | 54.9 | 56.1 | 60.0 | 64.1                                      | 53.6 | 54.8 | 58.5 | 62.5                                      | 50.9 | 52.0 | 55.6 | 59.4      | 47.2 | 48.2 | 51.5 | 55.0 |      |      |      |
| FLA                       | 1.8                       | 5       |                  |         | S/T  | 0.90 | 0.85 | 0.69 | 0.52                                      | 0.93 | 0.87 | 0.71 | 0.53                                      | 0.96 | 0.90 | 0.73 | 0.55                                      | 0.99 | 0.93 | 0.76 | 0.57      | 1.00 | 0.94 | 0.76 | 0.57 |      |      |      |
| LRA                       | 6                         | 8.6     |                  |         | AMPS   | 22.8 | 23.3 | 23.9 | 24.7                                      | 24.5 | 25.0 | 25.7 | 26.6                                      | 25.9 | 26.5 | 27.3 | 28.2                                      | 27.4 | 28.0 | 28.8 | 29.8      | 28.8 | 29.4 | 30.3 | 31.4 |      |      |      |
| RPM                       | 1145                      | 1140    |                  |         | HI PR  | 190  | 205  | 216  | 225                                       | 216  | 233  | 246  | 256                                       | 246  | 265  | 280  | 292                                       | 277  | 298  | 315  | 329       | 306  | 330  | 348  | 363  |      |      |      |
| Cap MFD/V                 | 7.5/440                   | 20/370  |                  |         | LO PR  | 66   | 70   | 76   | 81  | 68   | 73   | 79   | 85  | 72   | 76   | 84   | 89  | 75   | 80   | 88   | 93        | 78   | 83   | 91   | 96   |      |      |      |
| PTCR                      |                           |         |                  |         | 85   |      |      |      | 90  |      |      |      | 95  |      |      |      | 100                                       |      |      |      |           |      |      |      |      |      |      |      |
| Hi Press                  |                           |         |                  |         | MBh  | 57.2 | 58.4 | 61.1 | 65.2                                      | 55.9 | 57.0 | 59.7 | 63.7                                      | 54.5 | 55.6 | 58.2 | 62.1                                      | 51.8 | 52.8 | 55.3 | 59.0      | 48.0 | 48.9 | 51.2 | 54.6 |      |      |      |
| Low Press                 |                           |         |                  |         | S/T  | 0.95 | 0.91 | 0.82 | 0.67                                      | 0.97 | 0.94 | 0.85 | 0.69                                      | 1.00 | 0.97 | 0.87 | 0.71                                      | 1.00 | 1.00 | 0.91 | 0.74      | 1.00 | 1.00 | 0.91 | 0.74 |      |      |      |
| Operating Chg (No Lines)* | (R-22 Oz) 215             |         |                  |         | AMPS   | 23.0 | 23.5 | 24.1 | 24.9                                      | 24.7 | 25.2 | 25.9 | 26.8                                      | 26.1 | 26.7 | 27.5 | 28.4                                      | 27.6 | 28.2 | 29.0 | 30.0      | 29.1 | 29.7 | 30.6 | 31.6 |      |      |      |
| Service Driers            |                           |         |                  |         | HI PR  | 192  | 207  | 218  | 228                                       | 219  | 235  | 248  | 259                                       | 249  | 268  | 283  | 295                                       | 280  | 301  | 318  | 332       | 309  | 333  | 352  | 367  |      |      |      |
| Liquid/Chg Suction        | 30 Cu In / 17 oz 30 Sq In |         |                  |         | LO PR  | 67   | 71   | 77   | 82  | 69   | 74   | 80   | 86  | 73   | 77   | 84   | 90  | 76   | 81   | 88   | 94        | 79   | 84   | 91   | 97   |      |      |      |
| Unit Weight               | 625                       |         |                  |         | Air Delivery in CFM - Dry Coil - No Filter (Add .05 static for Wet Coil) |      |      |      |   |      |      |      |   |      |      |      |   |      |      |      |           |      |      |      |      |      |      |      |
|                           |                           |         |                  |         | 230 Volt   |      |      |      | 208 Volt                                  |      |      |      | 230 Volt                                  |      |      |      | 208 Volt                                  |      |      |      |           |      |      |      |      |      |      |      |
|                           |                           |         |                  |         | External Static Press (Inch Water Column)                                |      |      |      | External Static Press (Inch Water Column) |      |      |      | External Static Press (Inch Water Column) |      |      |      | External Static Press (Inch Water Column) |      |      |      |           |      |      |      |      |      |      |      |
|                           |                           |         |                  |         | Speed Tap  | 0.1  | 0.2  | 0.3  | 0.4                                       | 0.5  | 0.6  | 0.7  | Speed Tap                                 | 0.1  | 0.2  | 0.3  | 0.4                                       | 0.5  | 0.6  | 0.7  | Speed Tap | 0.1  | 0.2  | 0.3  | 0.4  | 0.5  | 0.6  | 0.7  |
|                           |                           |         |                  |         | HI   | 2300 | 2250 | 2190 | 2125                                      | 2060 | 1990 | 1915 | HI  | 2110 | 2065 | 2020 | 1975                                      | 1925 | 1860 | 1790 | HI        | 2380 | 2315 | 2250 | 2185 | 2105 | 2020 | 1940 |
|                           |                           |         |                  |         | MD HI  | 2130 | 2090 | 2045 | 1995                                      | 1875 | 1805 | 1580 | MD HI                                     | 1880 | 1855 | 1825 | 1790                                      | 1750 | 1695 | 1635 | MD HI     | 2310 | 2250 | 2185 | 2125 | 2060 | 1980 | 1905 |
|                           |                           |         |                  |         | MD LO  | 1670 | 1650 | 1630 | 1600                                      | 1565 | 1525 | 1475 | MD LO                                     | 1405 | 1390 | 1375 | 1355                                      | 1330 | 1295 | 1250 | MD LO     | 2090 | 2045 | 1995 | 1945 | 1890 | 1820 | 1750 |
|                           |                           |         |                  |         | LO   | 1330 | 1315 | 1300 | 1280                                      | 1255 | 1225 | 1185 | LO  | 1110 | 1100 | 1080 | 1060                                      | 1035 | 1000 | 950  | LO        | 1915 | 1885 | 1845 | 1805 | 1755 | 1700 | 1640 |
|                           |                           |         |                  |         | 1082489  |      |      |      |   |      |      |      |   |      |      |      |   |      |      |      |           |      |      |      |      |      |      |      |

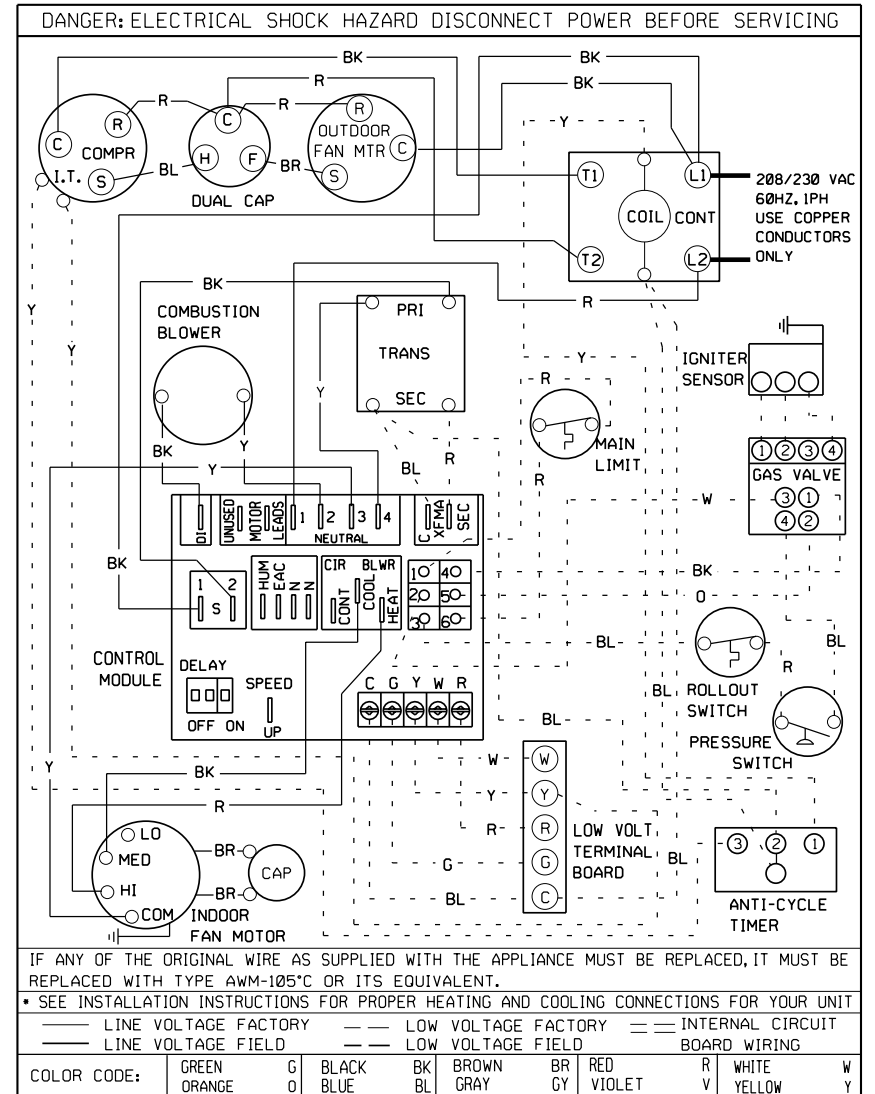
| Style No:                 | PGAD60G1KB / PGME60G150B  |         |                  |         | Outdoor Ambient Temperature - Degrees F. Dry Bulb                        |      |      |      |   |      |      |      |   |      |      |      |   |      |      |      |           |      |      |      |      |
|---------------------------|---------------------------|---------|------------------|---------|--|------|------|------|---|------|------|------|---|------|------|------|---|------|------|------|-----------|------|------|------|------|
| Voltage                   | 208 / 230                 |         | Gas Type         | NAT     | 75   |      |      |      | 85  |      |      |      | 95  |      |      |      | 105                                       |      |      |      | 115       |      |      |      |      |
| Phase                     | 1                         |         | Std Input        | 150     | Entering Indoor Temperature - Degrees F. Wet Bulb                        |      |      |      |   |      |      |      |   |      |      |      |   |      |      |      |           |      |      |      |      |
| Ampacity                  | 43.9                      |         | Low Fire Input   | 130     | 59   | 63   | 67   | 71   | 59  | 63   | 67   | 71   | 59  | 63   | 67   | 71   | 59  | 63   | 67   | 71   | 59        | 63   | 67   | 71   |      |
| Wire Ga/Ft                | 6 / 76                    |         | Std Output       | 119     | 70   |      |      |      | 75  |      |      |      | 80  |      |      |      | 85  |      |      |      |           |      |      |      |      |
| Delay Fuse                | 60                        |         | Low Fire Output  | 102     | MBh  | 54.4 | 56.3 | 61.7 | -   | 53.1 | 55.0 | 60.3 | -   | 51.8 | 53.7 | 58.8 | -   | 49.2 | 51.0 | 55.9 | -         | 45.6 | 47.2 | 51.7 | -    |
| Max. Fuse                 | 70                        |         | Gas Valve (HSP)  | HW      | S/T  | 0.72 | 0.61 | 0.42 | -   | 0.74 | 0.62 | 0.43 | -   | 0.77 | 0.64 | 0.44 | -   | 0.80 | 0.66 | 0.46 | -         | 0.80 | 0.67 | 0.46 | -    |
| Compressor                | COPELAND                  |         | Regulation       | SNAP    | AMPS   | 22.5 | 22.9 | 23.6 | -   | 24.1 | 24.6 | 25.3 | -   | 25.5 | 26.1 | 26.8 | -   | 26.9 | 27.5 | 28.3 | -         | 28.3 | 29.0 | 29.8 | -    |
| RLA                       | 28.8                      |         | Manifold Press   | 3.5     | HI PR  | 186  | 201  | 212  | -   | 212  | 228  | 241  | -   | 241  | 260  | 274  | -   | 272  | 292  | 309  | -         | 300  | 323  | 341  | -    |
| LRA                       | 169                       |         | Std orifice      | 43      | LO PR  | 65   | 69   | 75   | -   | 67   | 71   | 78   | -   | 70   | 75   | 82   | -   | 74   | 79   | 86   | -         | 76   | 81   | 89   | -    |
| Cap MFD/V                 | 80 / 440                  |         | Low Fire Orifice | 46      | 75   |      |      |      | 80  |      |      |      | 85  |      |      |      | 90  |      |      |      |           |      |      |      |      |
| CC Heater                 | 80 / 440                  |         | Pilot Orifice    | 0.018   | MBh  | 55.3 | 56.9 | 61.6 | 66.1                                      | 54.0 | 55.6 | 60.1 | 64.5                                      | 52.7 | 54.2 | 58.7 | 63.0                                      | 50.0 | 51.5 | 55.7 | 59.8      | 46.3 | 47.7 | 51.6 | 55.4 |
| Start Kit                 | NAMA001SC                 |         | Temp Rise        | 35 - 65 | S/T  | 0.82 | 0.74 | 0.56 | 0.36                                      | 0.84 | 0.76 | 0.57 | 0.37                                      | 0.87 | 0.78 | 0.59 | 0.38                                      | 0.90 | 0.81 | 0.61 | 0.39      | 0.91 | 0.82 | 0.62 | 0.40 |
| Cond & Evap               | Cond                      | Evap    | Ignition Type    | HSP     | AMPS   | 22.6 | 23.1 | 23.7 | 24.5                                      | 24.3 | 24.8 | 25.5 | 26.3                                      | 25.7 | 26.3 | 27.0 | 27.9                                      | 27.2 | 27.8 | 28.6 | 29.5      | 28.6 | 29.2 | 30.1 | 31.1 |
| Type                      | Fan                       | Blower  | Fan On/Off       | TIME    | HI PR  | 188  | 203  | 214  | 223                                       | 214  | 230  | 243  | 254                                       | 244  | 263  | 277  | 289                                       | 274  | 295  | 312  | 325       | 303  | 326  | 345  | 359  |
| Size                      | 22                        | DD11-11 | Limit Set Max    | 130     | LO PR  | 65   | 69   | 76   | 81  | 68   | 72   | 79   | 84  | 71   | 76   | 83   | 88  | 75   | 79   | 87   | 92        | 77   | 82   | 90   | 95   |
| Motor-HP                  | 1/2                       | 1       | Heat Antic       | 0.58    | 80   |      |      |      | 85  |      |      |      | 90  |      |      |      | 95  |      |      |      |           |      |      |      |      |
| Type                      | PSC                       | PSC     |                  |         | MBh  | 56.3 | 57.5 | 61.4 | 65.7                                      | 54.9 | 56.1 | 60.0 | 64.1                                      | 53.6 | 54.8 | 58.5 | 62.5                                      | 50.9 | 52.0 | 55.6 | 59.4      | 47.2 | 48.2 | 51.5 | 55.0 |
| FLA                       | 1.8                       | 6       |                  |         | S/T  | 0.90 | 0.85 | 0.69 | 0.52                                      | 0.93 | 0.87 | 0.71 | 0.53                                      | 0.96 | 0.90 | 0.73 | 0.55                                      | 0.99 | 0.93 | 0.76 | 0.57      | 1.00 | 0.94 | 0.76 | 0.57 |
| LRA                       | 6                         | 15.1    |                  |         | AMPS   | 22.8 | 23.3 | 23.9 | 24.7                                      | 24.5 | 25.0 | 25.7 | 26.6                                      | 25.9 | 26.5 | 27.3 | 28.2                                      | 27.4 | 28.0 | 28.8 | 29.8      | 28.8 | 29.4 | 30.3 | 31.4 |
| RPM                       | 1145                      | 1140    |                  |         | HI PR  | 190  | 205  | 216  | 225                                       | 216  | 233  | 246  | 256                                       | 246  | 265  | 280  | 292                                       | 277  | 298  | 315  | 329       | 306  | 330  | 348  | 363  |
| Cap MFD/V                 | 7.5/440                   | 20/370  |                  |         | LO PR  | 66   | 70   | 76   | 81  | 68   | 73   | 79   | 85  | 72   | 76   | 84   | 89  | 75   | 80   | 88   | 93        | 78   | 83   | 91   | 96   |
| PTCR                      |                           |         |                  |         | 85   |      |      |      | 90  |      |      |      | 95  |      |      |      | 100                                       |      |      |      |           |      |      |      |      |
| Hi Press                  |                           |         |                  |         | MBh  | 57.2 | 58.4 | 61.1 | 65.2                                      | 55.9 | 57.0 | 59.7 | 63.7                                      | 54.5 | 55.6 | 58.2 | 62.1                                      | 51.8 | 52.8 | 55.3 | 59.0      | 48.0 | 48.9 | 51.2 | 54.6 |
| Low Press                 |                           |         |                  |         | S/T  | 0.95 | 0.91 | 0.82 | 0.67                                      | 0.97 | 0.94 | 0.85 | 0.69                                      | 1.00 | 0.97 | 0.87 | 0.71                                      | 1.00 | 1.00 | 0.91 | 0.74      | 1.00 | 1.00 | 0.91 | 0.74 |
| Operating Chg (No Lines)* | (R-22 Oz) 215             |         |                  |         | AMPS   | 23.0 | 23.5 | 24.1 | 24.9                                      | 24.7 | 25.2 | 25.9 | 26.8                                      | 26.1 | 26.7 | 27.5 | 28.4                                      | 27.6 | 28.2 | 29.0 | 30.0      | 29.1 | 29.7 | 30.6 | 31.6 |
| Service Driers            |                           |         |                  |         | HI PR  | 192  | 207  | 218  | 228                                       | 219  | 235  | 248  | 259                                       | 249  | 268  | 283  | 295                                       | 280  | 301  | 318  | 332       | 309  | 333  | 352  | 367  |
| Liquid/Chg Suction        | 30 Cu In / 17 oz 30 Sq In |         |                  |         | LO PR  | 67   | 71   | 77   | 82  | 69   | 74   | 80   | 86  | 73   | 77   | 84   | 90  | 76   | 81   | 88   | 94        | 79   | 84   | 91   | 97   |
| Unit Weight               | 630                       |         |                  |         | Air Delivery in CFM - Dry Coil - No Filter (Add .05 static for Wet Coil) |      |      |      |   |      |      |      |   |      |      |      |   |      |      |      |           |      |      |      |      |
|                           |                           |         |                  |         | 230 Volt   |      |      |      | 208 Volt                                  |      |      |      | 230 Volt                                  |      |      |      | 208 Volt                                  |      |      |      |           |      |      |      |      |
|                           |                           |         |                  |         | External Static Press (Inch Water Column)                                |      |      |      | External Static Press (Inch Water Column) |      |      |      | External Static Press (Inch Water Column) |      |      |      | External Static Press (Inch Water Column) |      |      |      |           |      |      |      |      |
|                           |                           |         |                  |         | Speed Tap  | 0.1  | 0.2  | 0.3  | 0.4                                       | 0.5  | 0.6  | 0.7  | Speed Tap                                 | 0.1  | 0.2  | 0.3  | 0.4                                       | 0.5  | 0.6  | 0.7  | Speed Tap | 0.1  | 0.2  |      |      |

# 3 1/2 Ton Models

LADDER WIRING DIAGRAM

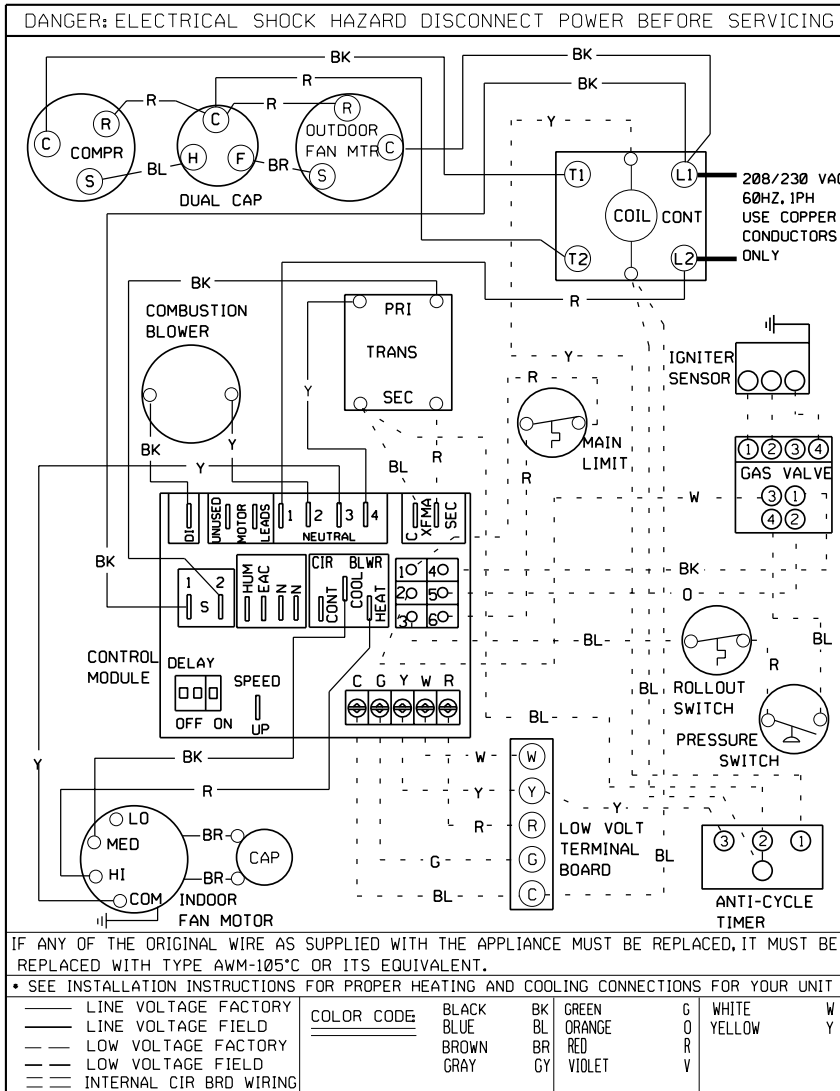


CONNECTION WIRING DIAGRAM



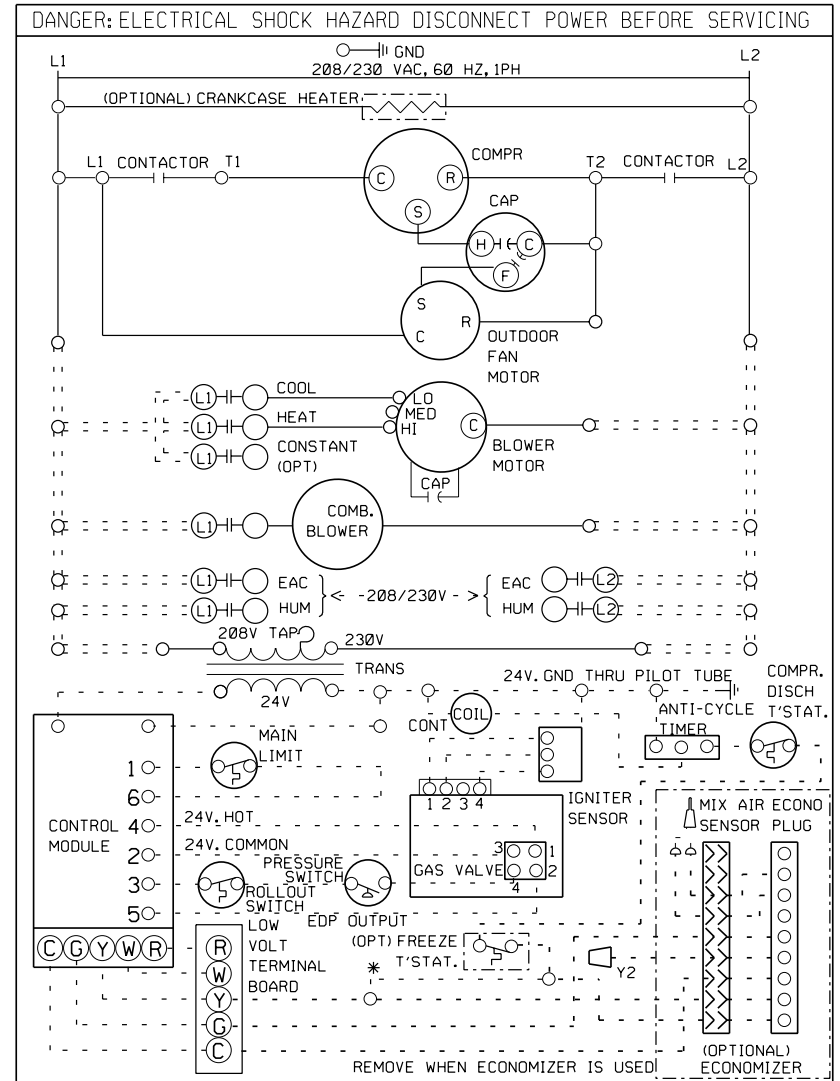
# 4 - 5 Ton Models

CONNECTION WIRING DIAGRAM



1067961

LADDER WIRING DIAGRAM



1067962