

EXPANSION VALVE COILS

ALL MODELS

- 1½ thru 5 Tons
- Copper tube / aluminum fin "A" coil with latest high-tech fin design
- Bolt-on TXV metering device factory installed on all models
- TXV and manifold positioned to the side for easier cleaning
- Innovative drain pan design for complete water removal
- Two condensate drain connections (EDM has additional two for horizontal installation)
- 2-piece delta plate for easier removal and cleaning

CASED COILS

- Upflow cabinet widths and horizontal cabinet depths match flush with ICP gas furnaces
- Removable front access panel
- Easy slide-out coil for inspection
- UV light knock-out provided on cabinet
- Hemmed flanges for safer handling
- Foil faced insulation
- Non-sweat cabinet, even at extreme conditions
- Cabinets meet or exceed 2% air leakage codes
- Sturdy, 22 gauge, pre-painted steel cabinet

EDM

- Multiposition installation – upflow, downflow, or horizontal
- Available for R-410A or R-22 systems
- Available with industry exclusive tin coated copper main tubing for additional corrosion protection

EDD

- Upflow or downflow installation
- Available for R-410A or R-22 systems
- Available with industry exclusive tin coated copper main tubing for additional corrosion protection

EBD

- Value Line, upflow or downflow, R-22 only

UNCASED A-COILS

EDA

- Upflow or downflow installation
- Available for R-410A or R-22 systems
- Available with industry exclusive tin coated copper main tubing for additional corrosion protection

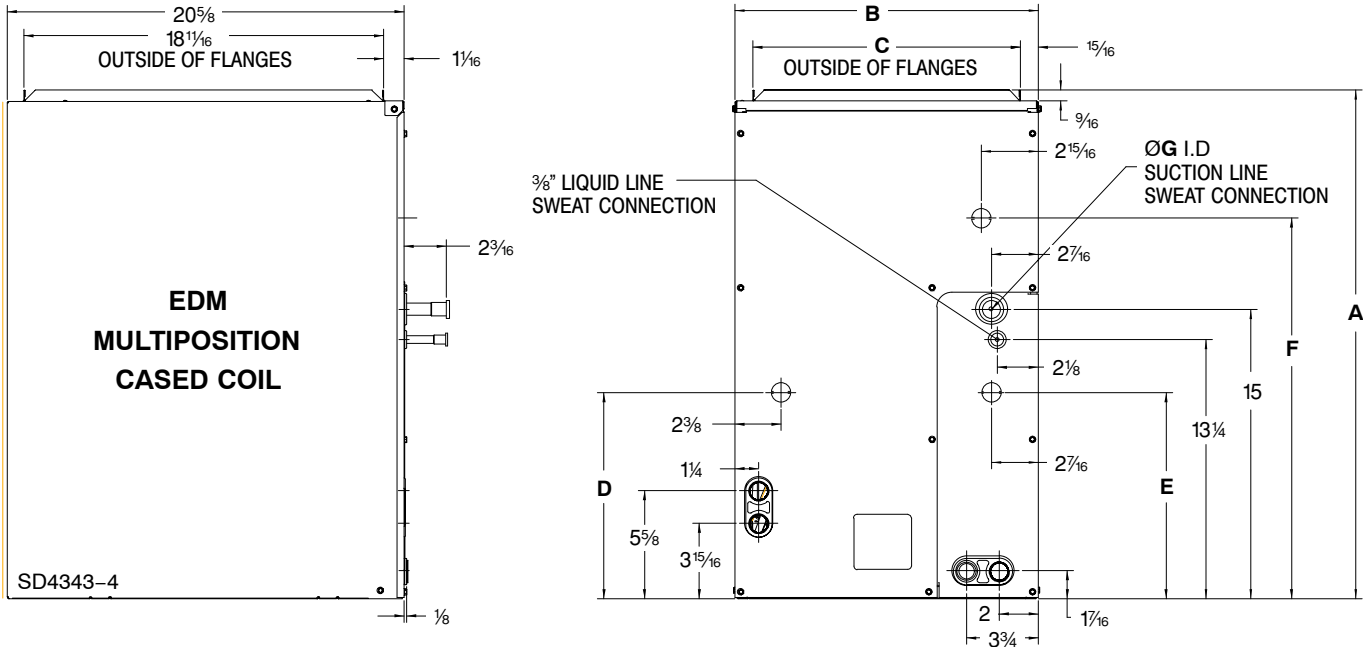
EBA

- Value Line, upflow or downflow, R-22 only



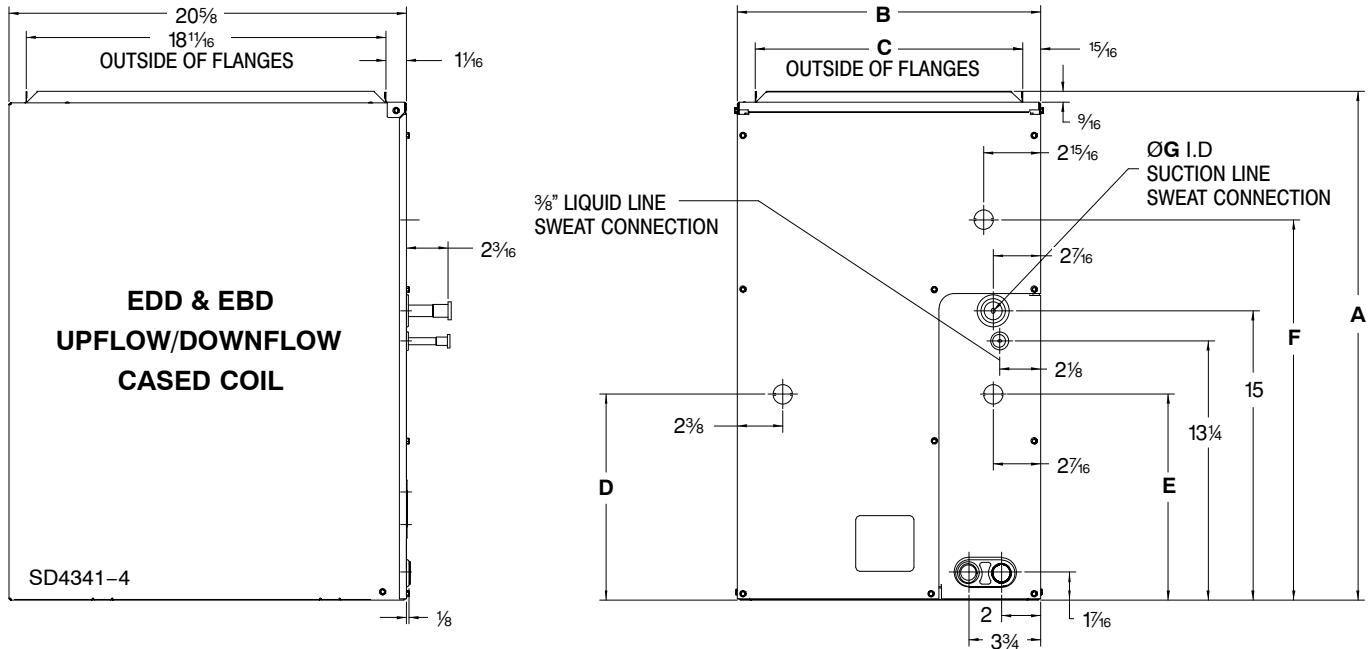
Rated in accordance with ARI Standard 210 and/or 240. Certification applies only when used with proper components as listed with ARI.

Available Styles	EDM	EDD	EDA	EBD	EBA
Cased	✓	✓		✓	
Uncased			✓		✓
Horizontal Flow	✓				
Upflow	✓	✓	✓	✓	✓
Downflow	✓	✓	✓	✓	✓
R-410A	✓	✓	✓		
R-22	✓	✓	✓	✓	✓
Plain Tubes	✓	✓	✓	✓	✓
Tin Coated Tubes	✓	✓	✓		



DIMENSIONAL DATA - EDM (refer to drawing at top of chart)

Model	Size (tons)	All Dimensions Inches							Shipping Weight (lbs)	
		A	B	C	D	E	F	G	A model	AT model
EDM 4X 2X 18B A AT	1 1/2	25 7/8	15 5/8	13 7/8	10 11/16	10 11/16	-	5/8	54.0	55.5
EDM 4X 2X 24B A AT	2	25 7/8	15 5/8	13 7/8	10 11/16	10 11/16	-	5/8	56.0	56.5
EDM 4X 2X 24F A AT	2	25 7/8	19 1/4	17 1/2	10 11/16	10 11/16	-	5/8	59.5	60.0
EDM 4X 2X 30B A AT	2 1/2	25 7/8	15 5/8	13 7/8	19 3/4	-	19 3/4	3/4	58.5	60.0
EDM 4X 2X 30F A AT	2 1/2	29 3/4	19 1/4	17 1/2	10 11/16	-	19 3/4	3/4	62.0	64.0
EDM 4X 2X 36B A AT	3	29 3/4	15 5/8	13 7/8	19 3/4	-	19 3/4	3/4	64.0	66.0
EDM 4X 2X 36F A AT	3	29 3/4	19 1/4	17 1/2	19 3/4	-	19 3/4	3/4	69.5	72.5
EDM 4X 2X 36J A AT	3	29 3/4	22 7/8	21 1/8	19 3/4	-	19 3/4	3/4	75.5	77.0
EDM 4X 2X 42J A AT	3 1/2	29 3/4	22 7/8	21 1/8	19 3/4	-	19 3/4	7/8	76.0	78.5
EDM 4X 2X 42L A AT	3 1/2	29 3/4	24 1/2	22 3/4	19 3/4	-	19 3/4	7/8	77.5	80.5
EDM 4X 2X 48F A AT	4	35	19 1/4	17 1/2	19 3/4	-	19 3/4	7/8	89.0	93.0
EDM 4X 2X 48J A AT	4	29 3/4	22 7/8	21 1/8	19 3/4	-	19 3/4	7/8	83.0	86.0
EDM 4X 2X 48L A AT	4	29 3/4	24 1/2	22 3/4	19 3/4	-	19 3/4	7/8	84.5	87.3
EDM 4X 2X 60J A AT	5	35	22 7/8	21 1/8	19 3/4	-	19 3/4	7/8	88.0	91.0
EDM 4X 2X 60L A AT	5	35	24 1/2	22 3/4	19 3/4	-	19 3/4	7/8	97.0	100.0



DIMENSIONAL DATA - EDD, EBD (refer to drawing at top of chart)

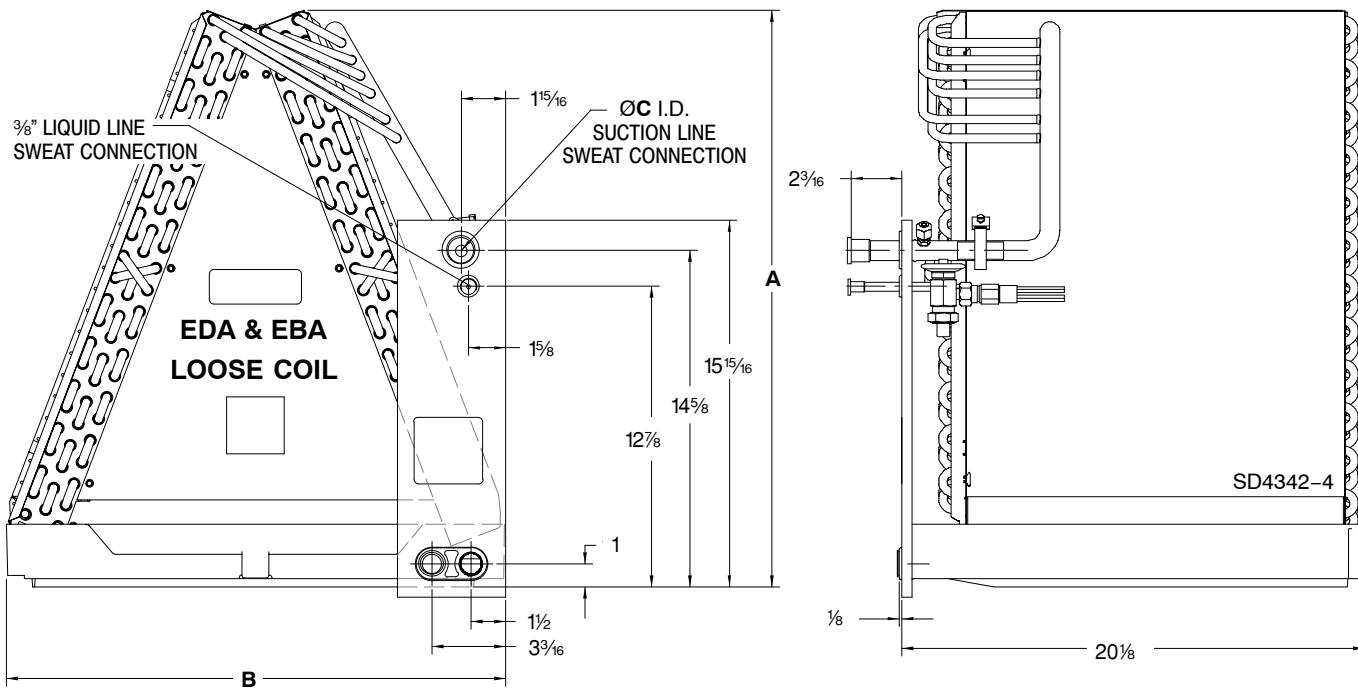
Model	Size (tons)	All Dimensions Inches								Shipping Weight (lbs)	
		A	B	C	D	E	F	G	A model	AT model	
EDD 2X 18B A	1 1/2	18 5/16	15 5/8	13 7/8	10 1 1/16	10 1 1/16	-	5/8	38.5	40.5	
EDD 4X 18B AT											
EBD 2X 18B A											
EDD 2X 24B A	2	19 9/16	15 5/8	13 7/8	10 1 1/16	10 1 1/16	-	5/8	43.0	45.0	
EDD 4X 24B AT											
EBD 2X 24B A											
EDD 2X 24F A	2	19 9/16	19 1/4	17 1/2	10 1 1/16	10 1 1/16	-	5/8	46.0	48.0	
EDD 4X 24F AT											
EBD 2X 24F A											
EDD 2X 30B A	2 1/2	23 1 1/16	15 5/8	13 7/8	19 3/4	-	19 3/4	3/4	49.5	52.0	
EDD 4X 30B AT											
EBD 2X 30B A											
EDD 2X 30F A	2 1/2	23 1 1/16	19 1/4	17 1/2	19 3/4	-	19 3/4	3/4	56.0	58.5	
EDD 4X 30F AT											
EBD 2X 30F A											
EDD 2X 36B A	3	25 13/16	15 5/8	13 7/8	10 1 1/16	-	19 3/4	3/4	57.0	59.5	
EDD 4X 36B AT											
EBD 2X 36B A											
EDD 2X 36F A	3	25 13/16	19 1/4	17 1/2	10 1 1/16	-	19 3/4	3/4	58.5	61.0	
EDD 4X 36F AT											
EBD 2X 36F A											
EDD 2X 36J A	3	25 13/16	22 7/8	21 1/8	19 3/4	-	19 3/4	3/4	61.0	63.5	
EDD 4X 36J AT											
EBD 2X 36J A											
EDD 2X 42J A	3 1/2	27 9/16	22 7/8	21 1/8	19 3/4	-	19 3/4	7/8	65.0	67.5	
EDD 4X 42J AT											
EBD 2X 42J A											
EDD 2X 42L A	3 1/2	27 9/16	24 1/2	22 3/4	19 3/4	-	19 3/4	7/8	67.5	70.0	
EDD 4X 42L AT											
EBD 2X 42L A											

(continued on next page)

Specifications subject to change without notice.

DIMENSIONAL DATA (continued) – EDD, EBD (refer to drawing at top of chart)

Model	Size (tons)	All Dimensions Inches										Shipping Weight (lbs)	
		A	B	C	D	E	F	G	A model	AT model			
EDD 2X 48F A 4X 48F AT	4	33 ⁵ / ₁₆	19 ¹ / ₄	17 ¹ / ₂	19 ³ / ₄	-	19 ³ / ₄	7/8	73.0	76.0			
EBD 2X 48F A													
EDD 2X 48J A 4X 48J AT	4	27 ⁹ / ₁₆	22 ⁷ / ₈	21 ¹ / ₈	19 ³ / ₄	-	19 ³ / ₄	7/8	76.0	79.0			
EBD 2X 48J A													
EDD 2X 48L A 4X 48L AT	4	27 ⁹ / ₁₆	24 ¹ / ₂	22 ³ / ₄	19 ³ / ₄	-	19 ³ / ₄	7/8	83.0	86.0			
EBD 2X 48L A													
EDD 2X 60J A 4X 60J AT	5	33 ⁵ / ₁₆	22 ⁷ / ₈	21 ¹ / ₈	19 ³ / ₄	-	19 ³ / ₄	7/8	88.0	91.0			
EBD 2X 60J A													
EDD 2X 60L A 4X 60L AT	5	33 ⁵ / ₁₆	24 ¹ / ₂	22 ³ / ₄	19 ³ / ₄	-	19 ³ / ₄	7/8	93.0	96.0			
EBD 2X 60L A													



DIMENSIONAL DATA – EDA, EBA (refer to drawing at top of chart)

Model	Size (tons)	All Dimensions Inches			Shipping Weight (lbs)	
		A	B	C	A model	AT model
EDA 4X 18B A 2X 18B AT	1 ¹ / ₂	13 ³ / ₈	14 ⁷ / ₁₆	5/8	24.5	25.5
EBA 2X 18B A						
EDA 4X 24B A 2X 24B AT	2	17 ⁹ / ₁₆	14 ⁷ / ₁₆	5/8	29.0	30.0
EBA 2X 24B A						

(continued on next page)

DIMENSIONAL DATA (continued) – EDA, EBA (refer to drawing at top of chart)									
Model				Size (tons)	All Dimensions Inches			Shipping Weight (lbs)	
					A	B	C	A model	AT model
EDA	4X	24F	A	2	16 ¹⁵ / ₁₆	18 ¹ / ₁₆	5/8	30.0	31.0
	2X	A	AT						
EBA	2X	24F	A						
EDA	4X	30B	A	2½	21¾	14 ⁷ / ₁₆	¾	32.0	33.0
	2X	A	AT						
EBA	2X	30B	A						
EDA	4X	30F	A	2½	21¾	18 ¹ / ₁₆	¾	34.5	35.4
	2X	A	AT						
EBA	2X	30F	A						
EDA	4X	36B	A	3	23¾	14 ⁷ / ₁₆	¾	35.0	36.0
	2X	A	AT						
EBA	2X	36B	A						
EDA	4X	36F	A	3	23¾	18 ¹ / ₁₆	¾	37.5	39.5
	2X	A	AT						
EBA	2X	36F	A						
EDA	4X	36J	A	3	22 ⁵ / ₈	21 ¹ / ₁₆	¾	38.0	40.0
	2X	A	AT						
EBA	2X	36J	A						
EDA	4X	42J	A	3½	24¾	21 ¹ / ₁₆	7/8	40.5	42.5
	2X	A	AT						
EBA	2X	42J	A						
EDA	4X	42L	A	3½	24½	23 ⁵ / ₁₆	7/8	42.5	45.0
	2X	A	AT						
EBA	2X	42L	A						
EDA	4X	48F	A	4	29 ¹ / ₁₆	18 ¹ / ₁₆	7/8	50.0	53.0
	2X	A	AT						
EBA	2X	48F	A						
EDA	4X	48J	A	4	25 ¹ / ₁₆	21 ¹ / ₁₆	7/8	52.0	55.0
	2X	A	AT						
EBA	2X	48J	A						
EDA	4X	48L	A	4	24 ¹³ / ₁₆	23 ⁵ / ₁₆	7/8	55.0	58.0
	2X	A	AT						
EBA	2X	48L	A						
EDA	2X	60J	A	5	31 ⁵ / ₁₆	21 ¹ / ₁₆	7/8	58.5	61.5
	4X	A	AT						
EBA	2X	60J	A						
EDA	2X	60L	A	5	31 ¹ / ₁₆	23 ⁵ / ₁₆	7/8	62.0	65.0
	4X	A	AT						
EBA	2X	60L	A						

PHYSICAL DATA								
	Model Size							
	18	24	30	36	42	48F	48J, 48L	60
TXV factory installed, hard shut-off, bi-flow type for heat pump application, non-adjustable superheat								
R-22 TXV Size	3 ton				5 ton			6 ton
R-410A TXV Size	2 ton		3 ton	4 ton	5 ton			
TXV Connections	TXV-to-coil = Bolt-on 3/4-20 UNF straight thread (factory assembled)							
	field line set to TXV = 3/8" sweat (female)							
	equalizer-to-coil = Bolt-on 1/4" flare (factory assembled)							
Nominal Acceptable CFM Range (minimum 350 CFM/ton, maximum 450 CFM/ton)								
CFM – min	525	700	875	1050	1225	1400	1750	
CFM – max	625	900	1125	1350	1600	1800	2200	
Coil Data (all coils 2 slab "A" configuration, lanced sine wave bare aluminum fin)								
Face Area (ft ²)	2.75	3.67	4.58	5.04	5.50	6.42	5.50	6.88
Each Slab H x W (in)	12 x 16½	16 x 16½	20 x 16½	22 x 16½	24 x 16½	28 x 16½	24 x 16½	30 x 16½
Fins Per Inch	17	17	16	15	15	12		13
Refrigerant Line Connections (sweat)								
Liquid (inch)	3/8	3/8	3/8	3/8	3/8	3/8		3/8
Suction (inch)	5/8	5/8	3/4	3/4	7/8	7/8		7/8

ACCESSORIES			
Description	Part Number	Use with models	
		EDA, EBA	EDM, EDD, EBD
Fossil Fuel Kit	AXWR01DFB	ALL	ALL
Sub-Base (use when cased coil is mounted beneath a downflow gas or oil furnace on a combustible floor)	NAHH004SB	-	B models (15¾" wide)
	NAHH005SB	-	F models (19⅜" wide)
	NAHH006SB	-	J models (23" wide)
	NAHH009SB	-	L models (24⅝" wide)
Coil Adapter for Downflow Furnaces (when used with multiposition furnace in downflow application)	NAHA001CA	-	ALL
PVC Condensate Trap Kit (box of 50)	EBAC01CTK	ALL	ALL

Static Pressure Drop Across Coil at a Given CFM								
Coil Size	CFM Across Coil	Static Pressure Drop Across Coil (Inches Water Column)		Coil Size	CFM Across Coil	Static Pressure Drop Across Coil (Inches Water Column)		
		Dry	Wet			Dry	Wet	
18B 1½ tons	500	0.096	0.106	42J 3½ tons	1200	0.129	0.137	
	600	0.127	0.140		1300	0.148	0.159	
	700	0.161	0.183		1400	0.168	0.180	
24B 2 tons	700	0.134	0.141		1500	0.189	0.203	
	800	0.166	0.176		1600	0.211	0.228	
	900	0.200	0.215		42L 3½ tons	1200	0.114	0.142
24F 2 tons	700	0.110	0.118	1300		0.130	0.161	
	800	0.134	0.146	1400		0.146	0.182	
	900	0.160	0.176	1500		0.164	0.202	
30B 2½ tons	800	0.137	0.143	48F 4 tons		1600	0.182	0.222
	900	0.169	0.174			1400	0.250	0.263
	1000	0.204	0.211		1500	0.284	0.297	
	1100	0.241	0.251		1600	0.320	0.336	
30F 2½ tons	800	0.101	0.106		48J 4 tons	1700	0.358	0.376
	900	0.121	0.129			1800	0.398	0.418
	1000	0.143	0.154	48L 4 tons		1400	0.192	0.196
	1100	0.168	0.181			1500	0.219	0.225
36B 3 tons	1000	0.188	0.202			1600	0.245	0.253
	1100	0.224	0.240			1700	0.273	0.283
	1200	0.262	0.281		1800	0.303	0.314	
	1300	0.303	0.325		60J 5 tons	1400	0.180	0.193
	1400	0.349	0.374	1500		0.198	0.214	
36F 3 tons	1000	0.133	0.139	1600		0.222	0.241	
	1100	0.154	0.163	1700		0.247	0.270	
	1200	0.177	0.189	1800		0.275	0.296	
	1300	0.203	0.216	1700	0.260	0.285		
	1400	0.227	0.245	1800	0.288	0.315		
36J 3 tons	1000	0.104	0.106	60L 5 tons	1900	0.316	0.346	
	1100	0.121	0.124		2000	0.347	0.381	
	1200	0.139	0.144		2100	0.378	0.413	
	1300	0.159	0.166		2200	0.409	0.447	
	1400	0.181	0.190		1700	0.232	0.263	
					1800	0.256	0.291	
					1900	0.283	0.321	
					2000	0.308	0.354	
					2100	0.335	0.386	
					2200	0.363	0.419	

COIL MODEL NUMBER IDENTIFICATION GUIDE									
	E	D	M	2	X	18	B	A	1
E = Evaporator									
D = Deluxe									
B = Builder (Value Line)									
TYPE									
M = Multiposition (Cased)									
D = Cased (Upflow / Downflow)									
A = Loose									
APPLICATION									
2 = R-22									
4 = Environmentally Sound R-410A									
REFRIGERANT									
X = TXV									
METERING DEVICE									
18 = 18,000 BTUH = 1½ tons									
24 = 24,000 BTUH = 2 tons									
30 = 30,000 BTUH = 2½ tons									
36 = 36,000 BTUH = 3 tons									
42 = 42,000 BTUH = 3½ tons									
48 = 48,000 BTUH = 4 tons									
60 = 60,000 BTUH = 5 tons									
NOMINAL CAPACITY									
B = 15.5"									
F = 19.1"									
J = 22.8"									
L = 24.5"									
WIDTH (matches furnace)									
A = Standard									
AT = Tin Coated Copper Tubes for Additional Corrosion Protection									
SALES CODE / FEATURES									
Engineering Revision									