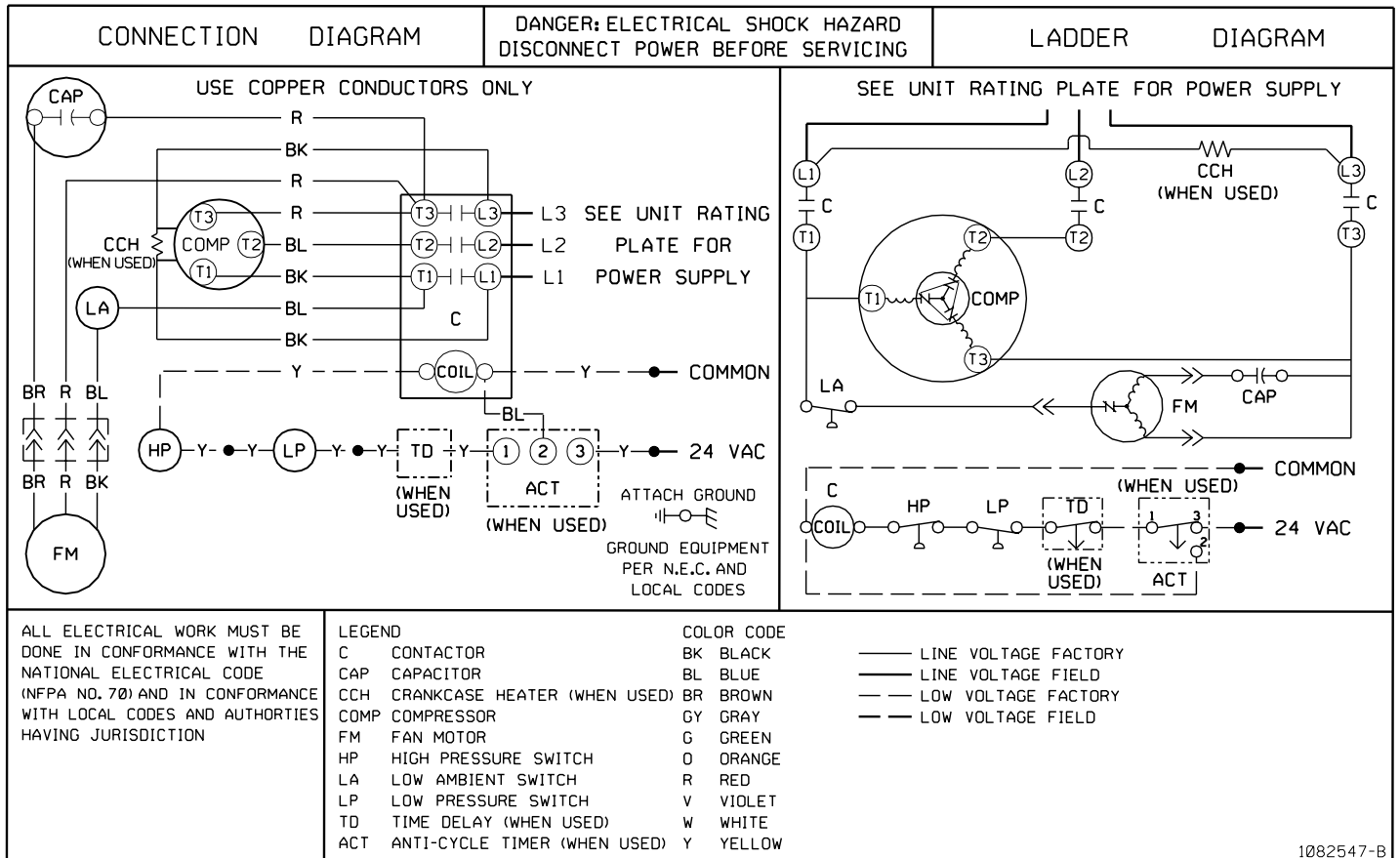
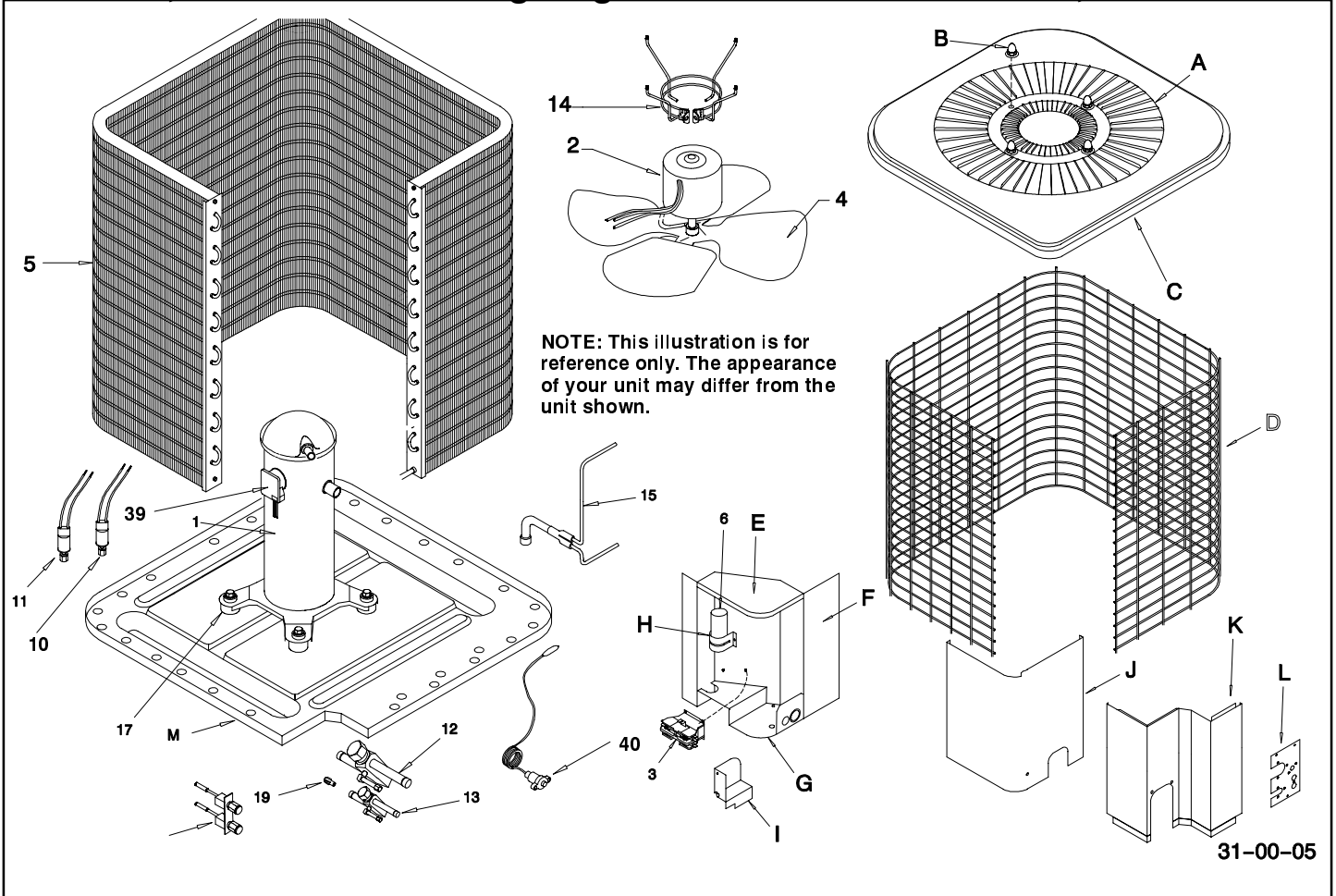


# Parts List, Tech Labels & Wiring Diagrams for CA55 & CBA Series, Three Phase



1082547-B

# Parts List, Tech Labels & Wiring Diagrams for CA55 & CBA Series, Three Phase

Models - CA5536VLD4, CA5548VLD4, CA5560VLD4, CA5560VSD4  
CBA036FB4, CBA048FB4, CBA060FB4, CBA60NB4

NO.	DESCRIPTION	PART NUMBER	36	48	60 VL/ FB	60 VS/ NB
1	Compressor ZR36K3	1085621	1			
1	ZR45KC	1085622	-	1		
1	ZR61KCTFD-1	1085397	-	-	1	
1	ZR61KCTFE-1	1085397	-	-	-	1
2	Motor, Fan	1069412	1			
2		1069783	-	1	1	
2		1097942	-	-	-	1
3	Contacto 30Amp 3Pole	607339	1	1	1	1
4	Fan	1080796	1			
4		1080777	-	1		
4		1068558	-	-	1	1
5	Condenser	1082568	1			
5		1082570	-	1		
5		1082571	-	-	1	1
6	Capacitor, 5Mfd.,370Volt	1094954	1	1	1	1
10	Switch, High Pressure	1069160	1	1	1	1
11	Switch, Low Pressure	1080365	1	1	1	1
12	Valve, Service Suction	1080995	1			
12		1080996	-	1		
12		1084847	-	-	1	1
13	Valve, Service Liquid	1080999	1			
13		1081000	-	1	1	1
14	Mount, Fan Motor	1051460	-	1	1	1
15	Distributor Assembly	1082522	1			
15		1082560	-	1	1	1
17	Grommet, Compressor	1052060	4	4	4	4
19	Restrictor .072	1069387	1			
19	.079	1053661	-	1		
19	.089	1057897	-	-	1	1
36	Port Assembly, Hi/Lo (Test)	1081841	1	1	1	1
39	Plug, Compressor	1084541	1			
39		1081940	-	1	1	1
40	Switch, Low Ambient	1059429	1	1	1	1

NO.	DESCRIPTION	PART NUMBER	36	48	60 VL/ FB	60 VS/ NB
B	Nut, Cap	1085244	4			
B		1052963	-	4	4	4
C	Panel, Top	1084650	1			
C		1084559	-	1	1	1
D	Grille, Inlet	1084587	1			
D		1084599	-	1		
D		1084600	-	-	1	1
E	Top, Control Box	1064781	1			
E		1064362	-	1	1	1
F	Box, Control	1097132	1			
F		1097104	-	1	1	1
G	Bottom, Control Box	1052888	1			
G		1064364	-	1	1	1
H	Clamp, Capacitor	1095020	1	1	1	1
I	Divider, Low Voltage	1051297	1	1	1	1
J	Cover, Control Box	1084563	1			
J		1084564	-	1	1	1
K	Panel, Corner	1084568	1			
K		1084574	-	1		
K		1084576	-	-	1	1
L	Plate, Fitting	1052849	1	1		
L		1081007	-	-	1	1
M	Basepan	1084550	1			
M		1084552	-	1	1	1
)(	Manual, Parts List	501041107	1	1	1	1
)(	Manual, Installation	501011101	1	1	1	1
)(	Manual, Users	421021102	1	1	1	1

# Parts List, Tech Labels & Wiring Diagrams for CA55 & CBA Series, Three Phase

Style No:	36MCE-0000954ZR	Outdoor Ambient Temperature - Degrees F. Dry Bulb																			
		75				85				95				105				115			
		Entering Indoor Temperature - Degrees F. Wet Bulb																			
IDB		59	63	67	71	59	63	67	71	59	63	67	71	59	63	67	71	59	63	67	71
Voltage	460																				
Phase	3																				
Ampacity	6.9																				
Wire Ga	14																				
Wire Length/Ft	55																				
Delay Fuse	15																				
Max. Fuse	15																				
Compressor	COPELAND																				
RLA	5.1																				
LRA	39																				
Cap MFD/V	N/A																				
CC Heater	N/A																				
Start Kit	NONE																				
Fan Motor-HP	1/6																				
Type	PSC																				
FLA	0.46																				
LRA	1.7																				
RPM	1110																				
Cap MFD/V	5 / 370																				
Low Ambient	250 / 115 AR																				
Hi Press	450																				
Low Press	5																				
Time Delay	NONE																				
Operating Chg (25 Ft Lines)*	(R-220z) 82	Calculated averaged performance data, for service applications for all matches.																			
Service Driers																					
Liquid/Chg Suction	16Culn/11oz 30SqIn																				

Part No:  
1082585

\*Add or Subtract (Oz per Ft) for Lines: .25oz -1/4 Liq, .45oz- 5/16 Liq, .60oz - 3/8 Liq, 1.2 oz - 1/2 Liq

Style No:	48MCE-0000954ZR	Outdoor Ambient Temperature - Degrees F. Dry Bulb																			
		75				85				95				105				115			
		Entering Indoor Temperature - Degrees F. Wet Bulb																			
IDB		59	63	67	71	59	63	67	71	59	63	67	71	59	63	67	71	59	63	67	71
Voltage	460																				
Phase	3																				
Ampacity	8.8																				
Wire Ga	14																				
Wire Length/Ft	45																				
Delay Fuse	15																				
Max. Fuse	15																				
Compressor	COPELAND																				
RLA	6.4																				
LRA	46																				
Cap MFD/V	N / A																				
CC Heater	NONE																				
Start Kit	NONE																				
Fan Motor-HP	1/3																				
Type	PSC																				
FLA	0.74																				
LRA	2.15																				
RPM	1100																				
Cap MFD/V	5 / 370																				
Low Ambient	250 / 115 AR																				
Hi Press	450																				
Low Press	5																				
Time Delay	NONE																				
Operating Chg (25 Ft Lines)*	(R-220z) 134	Calculated averaged performance data, for service applications for all matches.																			
Service Driers																					
Liquid/Chg Suction	30Culn/17oz 30SqIn																				

Part No:  
1082586

\*Add or Subtract (Oz per Ft) for Lines: .25oz -1/4 Liq, .45oz- 5/16 Liq, .60oz - 3/8 Liq, 1.2 oz - 1/2 Liq

# Parts List, Tech Labels & Wiring Diagrams for CA55 & CBA Series, Three Phase

Style No: 60MCC-0000954ZR		Outdoor Ambient Temperature - Degrees F. Dry Bulb																						
		75				85				95				105				115						
		Entering Indoor Temperature - Degrees F. Wet Bulb																						
		59 63 67 71				59 63 67 71				59 63 67 71				59 63 67 71				59 63 67 71						
Voltage	460	IDB	70	MBh	53.9	55.9	61.2	-	52.6	54.5	59.7	-	51.3	53.2	58.3	-	48.8	50.5	55.4	-	45.2	46.8	51.3	-
Phase	3			S/T	0.69	0.57	0.40	-	0.70	0.59	0.41	-	0.73	0.61	0.42	-	0.75	0.63	0.44	-	0.76	0.63	0.44	-
Ampacity	10.7			AMPS	7.0	7.1	7.4	-	7.6	7.7	8.0	-	8.1	8.3	8.5	-	8.6	8.8	9.1	-	9.1	9.3	9.6	-
Wire Ga	14			HI PR	193	208	219	-	220	236	250	-	250	269	284	-	281	303	320	-	311	335	353	-
Wire Length/Ft	35			LO PR	57	61	66	-	59	63	69	-	62	66	73	-	65	70	76	-	68	72	79	-
Delay Fuse	15	75	75	MBh	54.8	56.4	61.1	65.6	53.5	55.1	59.6	64.0	52.2	53.7	58.2	62.4	49.6	51.1	55.3	59.3	45.9	47.3	51.2	54.9
Max. Fuse	15			S/T	0.78	0.70	0.53	0.34	0.80	0.71	0.54	0.35	0.82	0.74	0.56	0.36	0.86	0.77	0.58	0.37	0.86	0.77	0.58	0.38
Compressor	COPELAND			AMPS	7.0	7.2	7.4	7.7	7.6	7.8	8.1	8.4	8.1	8.3	8.6	8.9	8.7	8.9	9.2	9.5	9.2	9.4	9.7	10.1
RLA	8			HI PR	195	210	222	231	222	239	252	263	253	272	287	299	284	306	323	337	314	338	357	372
LRA	63.0			LO PR	58	61	67	71	60	64	70	74	63	67	73	78	66	70	77	82	68	73	79	85
Cap MFD/V	NONE	80	80	MBh	55.8	57.0	60.9	65.1	54.5	55.6	59.5	63.6	53.1	54.3	58.0	62.0	50.5	51.6	55.1	58.9	46.8	47.8	51.0	54.6
CC Heater	NONE			S/T	0.85	0.80	0.65	0.49	0.88	0.82	0.67	0.50	0.90	0.85	0.69	0.52	0.94	0.88	0.72	0.54	0.95	0.89	0.72	0.54
Start Kit	NONE			AMPS	7.1	7.3	7.5	7.8	7.7	7.9	8.1	8.4	8.2	8.4	8.7	9.0	8.7	9.0	9.3	9.6	9.3	9.5	9.8	10.2
Fan Motor-HP	1/3			HI PR	197	212	224	234	224	241	255	266	255	275	290	302	287	309	326	340	317	341	360	376
Type	PSC			LO PR	58	62	68	72	61	65	70	75	64	68	74	79	67	71	78	83	69	73	80	85
FLA	0.74	85	85	MBh	56.8	57.9	60.6	64.6	55.4	56.5	59.2	63.1	54.1	55.1	57.7	61.6	51.4	52.3	54.8	58.5	47.6	48.5	50.8	54.2
LRA	2.15			S/T	0.90	0.86	0.78	0.63	0.92	0.89	0.80	0.65	0.95	0.91	0.83	0.67	0.98	0.95	0.86	0.69	0.99	0.96	0.86	0.70
RPM	1100			AMPS	7.1	7.3	7.6	7.8	7.8	8.0	8.2	8.5	8.3	8.5	8.8	9.1	8.8	9.0	9.3	9.7	9.4	9.6	9.9	10.3
Cap MFD/V	5 / 370			HI PR	199	214	226	236	226	244	257	268	258	277	293	305	290	312	330	344	320	345	364	380
Low Ambient	250 / 115 AR			LO PR	59	63	68	73	61	65	71	76	64	68	75	80	67	72	78	83	70	74	81	86
Hi Press	450	Calculated averaged performance data, for service applications for all matches.																						
Low Press	5	Part No:																						
Time Delay	NONE	1082587																						
Operating Chg (25 Ft Lines)*	(R-220z) 150	*Add or Subtract (Oz per Ft) for Lines: .25oz -1/4 Liq, .45oz- 5/16 Liq, .60oz - 3/8 Liq, 1.2 oz - 1/2 Liq																						
Service Driers		1082587																						
Liquid/Chg Suction	30Culn/17oz 30Sqln	1082587																						

Style No: CA5560VSD / CBA60NB		Outdoor Ambient Temperature - Degrees F. Dry Bulb																						
		75				85				95				105				115						
		Entering Indoor Temperature - Degrees F. Wet Bulb																						
		59 63 67 71				59 63 67 71				59 63 67 71				59 63 67 71				59 63 67 71						
Voltage	575	IDB	70	MBh	53.9	55.9	61.2	-	52.6	54.5	59.7	-	51.3	53.2	58.3	-	48.8	50.5	55.4	-	45.2	46.8	51.3	-
Phase	3			S/T	0.69	0.57	0.40	-	0.70	0.59	0.41	-	0.73	0.61	0.42	-	0.75	0.63	0.44	-	0.76	0.63	0.44	-
Ampacity	8.8			AMPS	7.0	7.1	7.4	-	7.6	7.7	8.0	-	8.1	8.3	8.5	-	8.6	8.8	9.1	-	9.1	9.3	9.6	-
Wire Ga	14			HI PR	193	208	219	-	220	236	250	-	250	269	284	-	281	303	320	-	311	335	353	-
Wire Length/Ft	35			LO PR	57	61	66	-	59	63	69	-	62	66	73	-	65	70	76	-	68	72	79	-
Delay Fuse	15	75	75	MBh	54.8	56.4	61.1	65.6	53.5	55.1	59.6	64.0	52.2	53.7	58.2	62.4	49.6	51.1	55.3	59.3	45.9	47.3	51.2	54.9
Max. Fuse	15			S/T	0.78	0.70	0.53	0.34	0.80	0.71	0.54	0.35	0.82	0.74	0.56	0.36	0.86	0.77	0.58	0.37	0.86	0.77	0.58	0.38
Compressor	COPELAND			AMPS	7.0	7.2	7.4	7.7	7.6	7.8	8.1	8.4	8.1	8.3	8.6	8.9	8.7	8.9	9.2	9.5	9.2	9.4	9.7	10.1
RLA	6.6			HI PR	195	210	222	231	222	239	252	263	253	272	287	299	284	306	323	337	314	338	357	372
LRA	49			LO PR	58	61	67	71	60	64	70	74	63	67	73	78	66	70	77	82	68	73	79	85
Cap MFD/V	NONE	80	80	MBh	55.8	57.0	60.9	65.1	54.5	55.6	59.5	63.6	53.1	54.3	58.0	62.0	50.5	51.6	55.1	58.9	46.8	47.8	51.0	54.6
CC Heater	NONE			S/T	0.85	0.80	0.65	0.49	0.88	0.82	0.67	0.50	0.90	0.85	0.69	0.52	0.94	0.88	0.72	0.54	0.95	0.89	0.72	0.54
Start Kit	NONE			AMPS	7.1	7.3	7.5	7.8	7.7	7.9	8.1	8.4	8.2	8.4	8.7	9.0	8.7	9.0	9.3	9.6	9.3	9.5	9.8	10.2
Fan Motor-HP	1/3			HI PR	197	212	224	234	224	241	255	266	255	275	290	302	287	309	326	340	317	341	360	376
Type	.57			LO PR	58	62	68	72	61	65	70	75	64	68	74	79	67	71	78	83	69	73	80	85
FLA	0.74	85	85	MBh	56.8	57.9	60.6	64.6	55.4	56.5	59.2	63.1	54.1	55.1	57.7	61.6	51.4	52.3	54.8	58.5	47.6	48.5	50.8	54.2
LRA	1.9			S/T	0.90	0.86	0.78	0.63	0.92	0.89	0.80	0.65	0.95	0.91	0.83	0.67	0.98	0.95	0.86	0.69	0.99	0.96	0.86	0.70
RPM	1100			AMPS	7.1	7.3	7.6	7.8	7.8	8.0	8.2	8.5	8.3	8.5	8.8	9.1	8.8	9.0	9.3	9.7	9.4	9.6	9.9	10.3
Cap MFD/V	5 / 370			HI PR	199	214	226	236	226	244	257	268	258	277	293	305	290	312	330	344	320	345	364	380
Low Ambient	250 / 115 AR			LO PR	59	63	68	73	61	65	71	76	64	68	75	80	67	72	78	83	70	74	81	86
Hi Press	450	Calculated averaged performance data, for service applications for all matches.																						
Low Press	5	Part No:																						
Time Delay	NONE	1097934																						
Operating Chg (25 Ft Lines)*	(R-220z) 150	*Add or Subtract (Oz per Ft) for Lines: .25oz -1/4 Liq, .45oz- 5/16 Liq, .60oz - 3/8 Liq, 1.2 oz - 1/2 Liq																						
Service Driers		1097934																						
Liquid/Chg Suction	30Culn/17oz 30Sqln	1097934																						