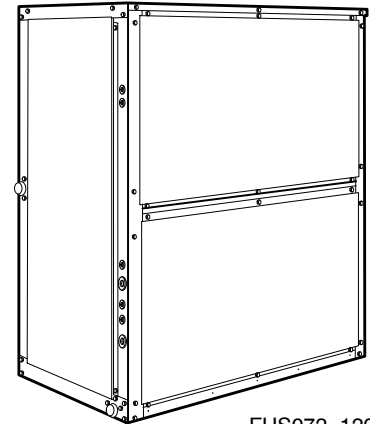


COMMERCIAL PACKAGED HEAT PUMP AIR HANDLER UNITS, 6 – 20 TONS

BUILT TO LAST, EASY TO INSTALL AND SERVICE

- Multi-position design for horizontal or vertical installation without modification.
- Two sloped condensate pans on each unit for horizontal or vertical applications.
- Cleanable insulation treated with Environmental Protection Agency (EPA) registered antimicrobial agent improves indoor air quality.
- 2 inch filters
- High-static design meets a wide range of applications.
- Powerful belt-driven forward curved fans.
- Single refrigerant circuit on 072 and 091 sizes. Dual refrigerant circuit on 120 to 240 sizes. Dual circuit can be field modified for use on single circuit condensers.
- Single blower on 072 to 120 sizes, dual blower on FHS180 & 240 sizes
- High efficiency copper tube / aluminum coils
- Standard factory-installed thermo-static expansion valve (TXV) with removable power element.
- Easy maintenance – removal of single panel allows access to virtually all components.
- Die-formed galvanized steel casings provide durability and structural integrity. Optional paint is available.
- 24-volt terminal block for control wiring connection.
- Economizer accessory provides ventilation air and “free” cooling.
- Hot water coil, steam coil, and electric heat accessories are available.



FHS072-120

WARRANTY

- 1 Year parts limited warranty



UNIT PERFORMANCE DATA				
UNIT	Nominal Tons	Number of Circuits	Unit Dimensions H x W x L [mm]	Unit Weight lb. [kg]
FHS072*AAA0A0A	6	1	56-1/16" x 49" x 28-3/16" [1424 x 1244 x 714]	381 [173]
FHS091*AAA0A0A	7 1/2	1	56-1/16" x 49" x 28-3/16" [1424 x 1244 x 714]	385 [175]
FHS120*AAA0A0A	10	2	56-1/16" x 49" x 28-3/16" [1424 x 1244 x 714]	427 [194]
FHS180*AAA0A0A	15	2	56-1/16" x 89" x 28-3/16" [1424 x 2261 x 714]	713 [323]
FHS240*AAA0A0A	20	2	56-1/16" x 89" x 28-3/16" [1424 x 2261 x 714]	720 [327]

* Indicates Unit voltage: K = 208/230-1-60, M = 208/230/460-3-60, H = 208/230-3-60, L = 460-3-60, S = 575-3-60

NOTE: BASE MODEL NUMBERS LISTED. SEE MODEL NOMENCLATURE LISTING FOR ADDITIONAL OPTIONS

TABLE OF CONTENTS

	PAGE
MODEL NUMBER NOMENCLATURE	3
OPTIONS AND ACCESSORIES	4
PHYSICAL DATA	11
DIMENSIONS	12
PERFORMANCE DATA	16
ELECTRICAL DATA	20
TYPICAL PIPING AND WIRING	26
TYPICAL CONTROL WIRING SCHEMATIC	28
APPLICATION DATA	29
GUIDE SPECIFICATIONS	31

MODEL NOMENCLATURE

MODEL SERIES	F	H	S	0	9	1	M	A	A	A	0	A	0	A
Position Number	1	2	3	4	5	6	7	8	9	10	11	12	13	14
F = R-410A Fan Coil Unit														
H = Heat Pump Type														
S = Standard Efficiency Efficiency														
072 = 6 Tons (1 circuit) 091 = 7.5 Tons (1 circuit) 120 = 10 Tons (2 circuit) 180 = 15 Tons (2 circuit) 240 = 20 Tons (2 circuit) Nominal Tonnage														
K = 208/230-1-60 H = 208/230-3-60 M = 460/208/230-3-60 L = 460-3-60 S = 575-3-60 Voltage														
A = Standard Static Standard Efficiency Motor / Standard Drive B = High Static Standard Efficiency Motor / High Drive D = Standard Static High Efficiency Motor / Standard Drive (20 Ton Only) E = High Static High Efficiency Motor / High Drive (15 & 20 Ton Only) Fan Motor Options														
A = Al/Copper Indoor Coil														
A = Standard Alum Fin / Copper Tube Refrigerant System														
0 = No Options Future Use														
A = Unpainted – Standard B = Painted cabinet (Gray) Painted Cabinet Options														
0 = Standard (Future use) Future Use														
A = Original Design Sales Digit														

Single phase FHS072-091 units designate standard motor and high static drive.

All FHS072-120 with a "M" voltage designation are triple voltage; i.e., 208/230/460-3-60.

Size 180 is also triple voltage in the Standard Static Model. The High Static motor option is available in three separate voltages; H = 208/230-3-60, L = 460-3-60, S = 575-3-60.

MODEL NUMBERS	
Standard Static	High Static
FHS072KAAA0A0A	FHS072KBAA0A0A
FHS072MAAA0A0A	FHS072MBAA0A0A
FHS072SAAA0A0A	FHS072SBAA0A0A
FHS091KAAA0A0A	FHS091KBAA0A0A
FHS091MAAA0A0A	FHS091MBAA0A0A
FHS091SAAA0A0A	FHS091SBAA0A0A
FHS120MAAA0A0A	FHS120MBAA0A0A
FHS120SAAA0A0A	FHS120SBAA0A0A
FHS180MAAA0A0A	FHS180HEAA0A0A
FHS180HAAA0A0A	FHS180LEAA0A0A
FHS180SAAA0A0A	FHS180SEAA0A0A
FHS240HDAA0A0A	FHS240HEAA0A0A
FHS240LDAA0A0A	FHS240LEAA0A0A
FHS240SDAA0A0A	FHS240SEAA0A0A

FACTORY OPTIONS AND/OR ACCESSORIES

Factory-installed accessories

Alternate fan motors and drives are available to provide the widest possible range of performance.

Prepainted steel units are available from the factory for applications that require painted units. Units are painted with American Sterling Gray color.

Field-installed accessories

Two-row hot water coils have copper tubes mechanically bonded to aluminum plate fins and non-ferrous headers.

One-row steam coil has copper tubes and aluminum fins. The Inner Distributing Tube (IDT) design provides uniform temperatures across the coil face. The steam coil has a broad operating pressure range; up to 20 psi (138 kPag)

at 260°F (126°C). The IDT steam coils are especially suited to applications where sub-freezing air enters the unit.

Electric resistance heat coils have an open-wire design and are mounted in a rigid frame. Safety cutouts for high temperature conditions are standard. Terminal block for single-point power connection is included.

Economizer (enthalpy controlled) provides ventilation air and “free” cooling if outside ambient temperature and humidity are suitable. It can also be used with CO₂ sensors to help meet indoor air quality requirements.

Discharge plenum directs the air discharge directly into the occupied space; integral horizontal and vertical louvers enable redirection of airflow. Accessory is available unpainted or painted. Field assembly is required (only applicable for vertical application and cannot be used with electric heat).

Return-air grille provides a protective barrier over the return-air opening and gives a finished appearance to units installed in the occupied space. Accessory is available unpainted or painted.

Subbase provides a stable, raised platform and room for condensate drain trap connection for vertical floor-mounted units. Accessory is available unpainted or painted.

Overhead suspension package includes necessary brackets to support units in horizontal ceiling installations.

CO₂ sensors can be used in conjunction with the economizer accessory to help meet indoor air quality requirements. The sensor signals the economizer to open when the CO₂ level in the space exceeds the set point. A programmable thermostat can be used to override the sensor if the outside-air temperature is too high or too low.

Condensate drain trap includes an overflow shutoff switch that can be wired to turn off the unit if the trap becomes plugged. Kit also includes a wire harness that can be connected to an alarm if desired. The transparent trap is designed for easy service and maintenance.

ITEM	OPTION*	ACCESSORY†
High Static Fan Motor / Drives	X	
CO ₂ Sensors		X
Condensate Drain Trap		X
Discharge Plenum		X
Economizer		X
Electric Heat		X
Hot Water Heating Coils		X
Overhead Suspension Package		X
Prepainted Units	X	
Return Air Grille		X
Steam Heating Coil		X
Subbase		X

* Factory-installed option.

† Field-installed accessory

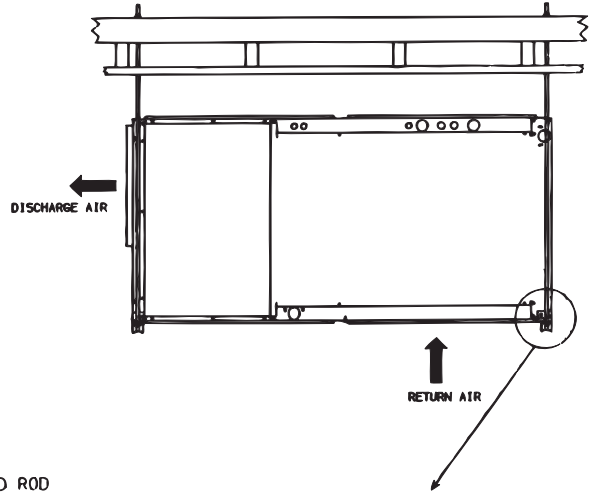
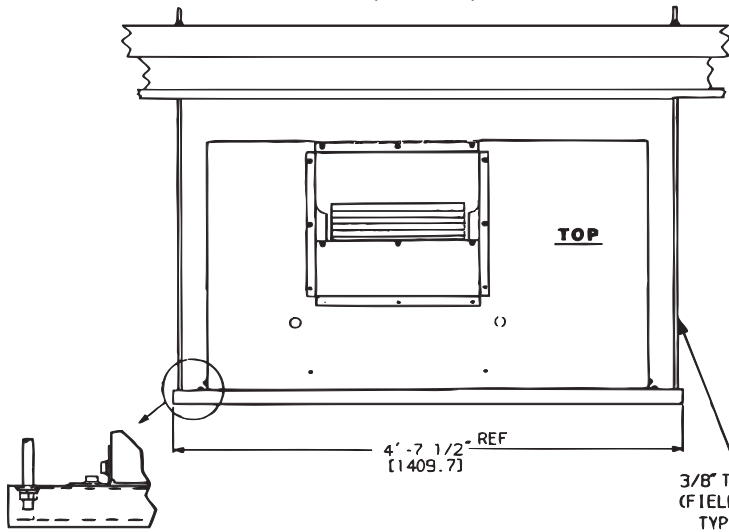
ACCESSORIES		
Model Number (Used on 6 to 10 Ton Units)	Model Number (Used on 15 & 20 Ton Units)	Description
AGRC01AA	AGRC02BA	Return Air Grille
AGRPC01AA	AGRPC02BA	Return Air Grille, Painted
ASPC01AA	ASPC02BA	Steam Coil (1 Row)
ASBC01A	ASBC01A	Floor Mount Base (Subbase)
ASBPC01A	ASBPC01A	Floor Mount Base (Subbase), Painted
AHBC01A	AHBC01A	Overhead Suspension Brackets
ACSC01A	ACSC01A	Condensate Overflow Switch
APDC01AA	APDC02BA	Discharge Plenum
APDPC01AA	APDPC02BA	Discharge Plenum, Painted
DNCBDIOX005A00	DNCBDIOX005A00	CO ₂ Sensor for Economizer
AEMC01AA	AEMC02AA	Economizer
AHWC01AA	AHWC02BA	Hot Water Coil (2 Row)
CATRANRY001A00	CATRANRY001A00	Transformer Relay Package
33ZCRLYBRD	33ZCRLYBRD	Fan Coil Relay Board

ACCESSORY HEATERS

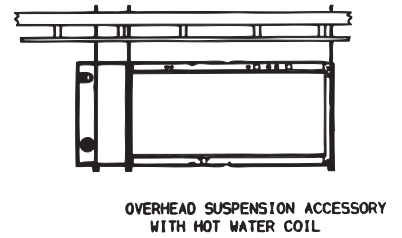
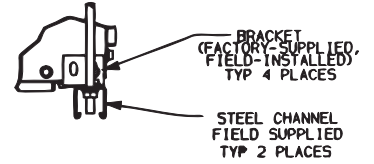
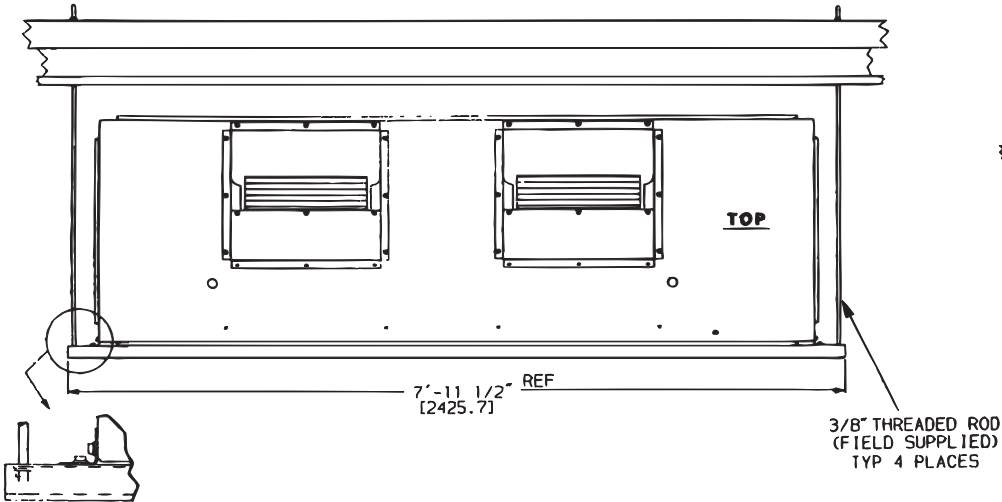
HEATER PART NO.	DESCRIPTION	Nominal Capacity	Used With
AAHC05AHA	5.0 kW, 240-3-60	5	072, 091, 120
AAHC10AHA	10.0 kW, 240-3-60	10	072, 091, 120
AAHC15AHA	15.0 kW, 240-3-60	15	072, 091, 120
AAHC25AHA	25.0 kW, 240-3-60	25	072, 091, 120
AAHC35CHA	35.0 kW, 240-3-60	35	091, 120
AAHC10BHA	10.0 kW, 240-3-60	10	180, 240
AAHC20BHA	20.0 kW, 240-3-60	20	180, 240
AAHC30BHA	30.0 kW, 240-3-60	30	180, 240
AAHC50BHA	50.0 kW, 240-3-60	50	180, 240
AAHC05ALA	5.0 kW, 480-3-60	5	072, 091, 120
AAHC10ALA	10.0 kW, 480-3-60	10	072, 091, 120
AAHC15ALA	15.0 kW, 480-3-60	15	072, 091, 120
AAHC25ALA	25.0 kW, 480-3-60	25	072, 091, 120
AAHC35CLA	35.0 kW, 480-3-60	35	091, 120
AAHC10BLA	10.0 kW, 480-3-60	10	180, 240
AAHC20BLA	20.0 kW, 480-3-60	20	180, 240
AAHC30BLA	30.0 kW, 480-3-60	30	180, 240
AAHC50BLA	50.0 kW, 480-3-60	50	180, 240
AAHC05ASA	5.0 kW, 575-3-60	5	072, 091, 120
AAHC10ASA	10.0 kW, 575-3-60	10	072, 091, 120
AAHC15ASA	15.0 kW, 575-3-60	15	072, 091, 120
AAHC25ASA	25.0 kW, 575-3-60	25	072, 091, 120
AAHC35CSA	35.0 kW, 575-3-60	35	091, 120
AAHC10BSA	10.0 kW, 575-3-60	10	180, 240
AAHC20BSA	20.0 kW, 575-3-60	20	180, 240
AAHC30BSA	30.0 kW, 575-3-60	30	180, 240
AAHC50BSA	50.0 kW, 575-3-60	50	180, 240

OVERHEAD SUSPENSION ACCESSORY

UNIT SIZES 072-120
(FRONT)

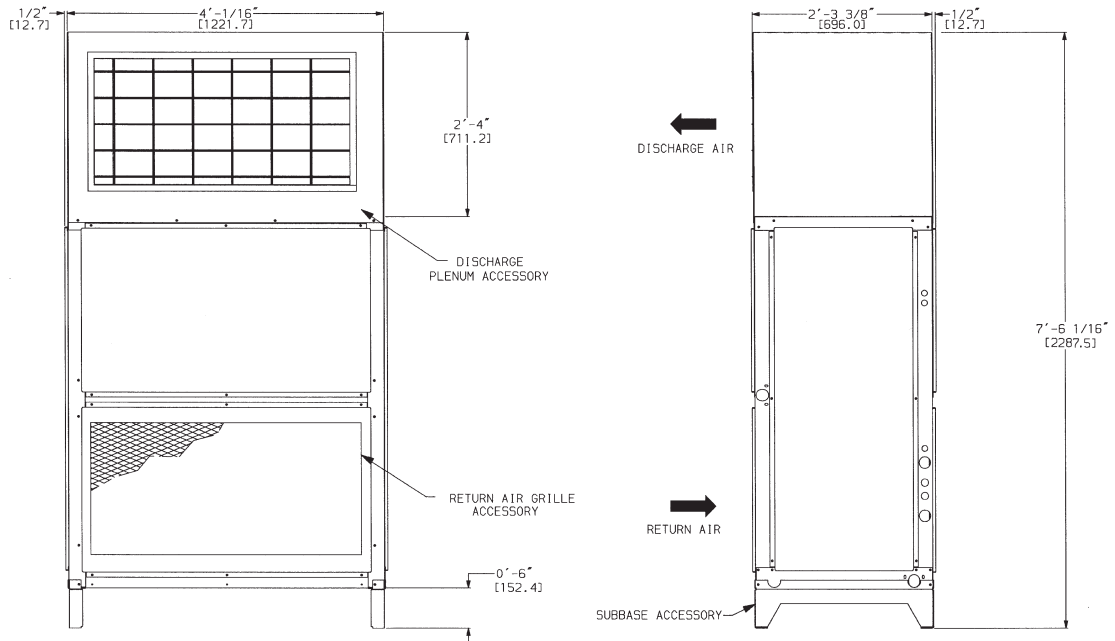


UNIT SIZES 180 & 240
(FRONT)



PLENUM, RETURN-AIR GRILLE, AND SUBBASE ACCESSORIES

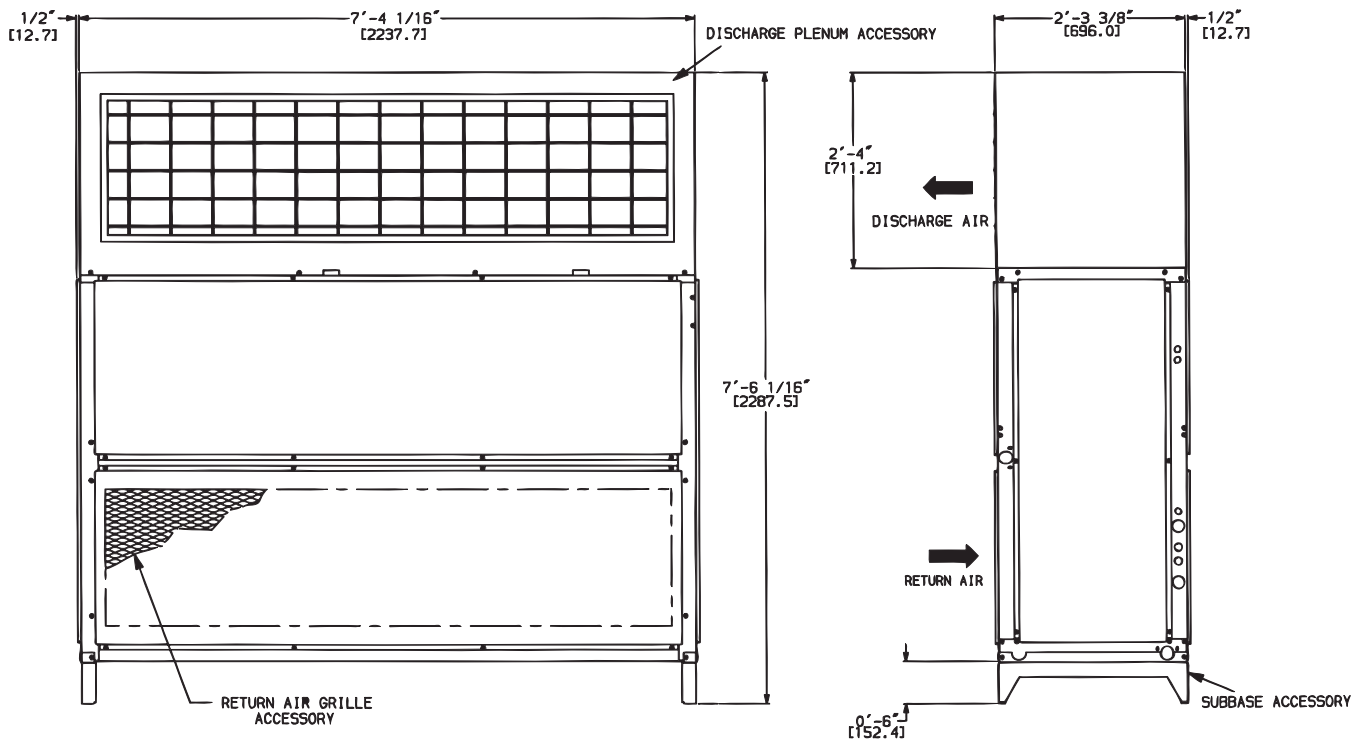
Unit Sizes 072-120



NOTE: Dimensions in [] are millimeters.

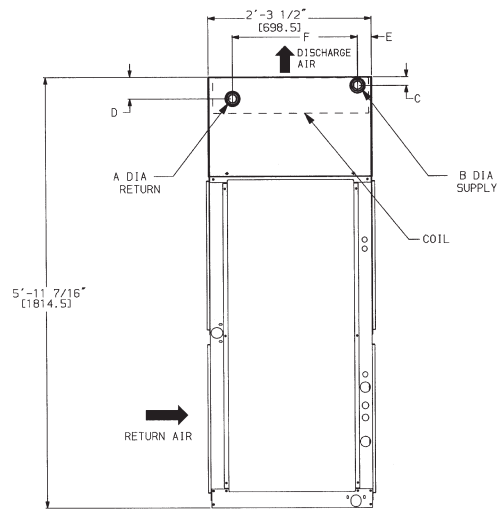
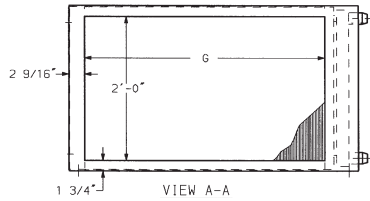
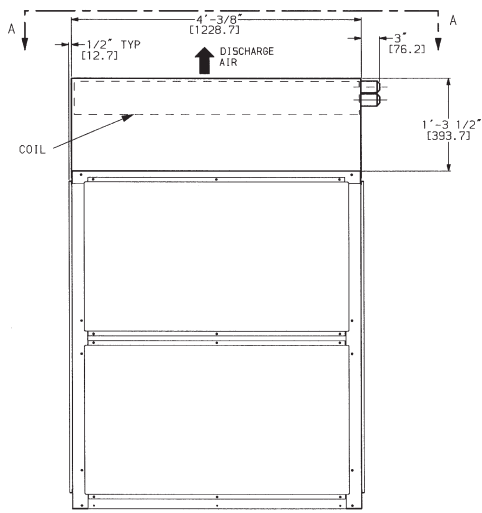
Unit Sizes 180 & 240

Front



HOT WATER AND STEAM COIL ACCESSORIES

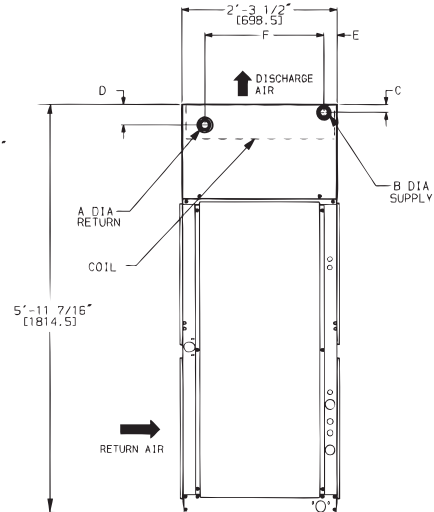
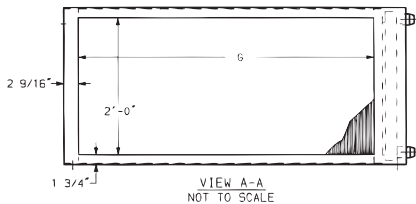
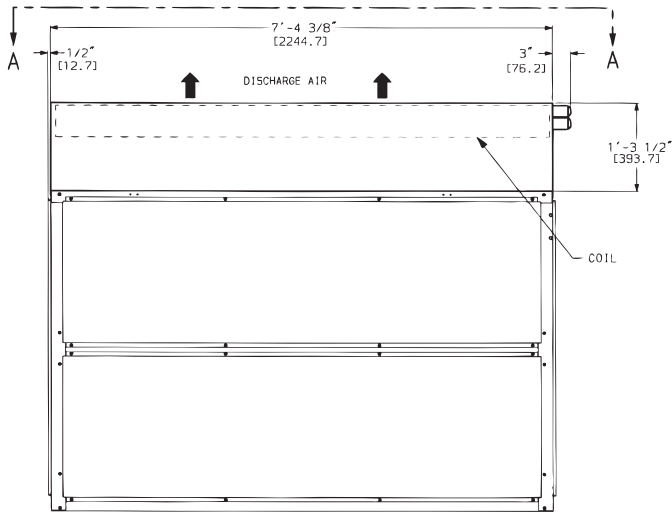
Unit Sizes 072-120



DIMENSION	HOT WATER COIL	STEAM COIL
A	1 1/2" MPT [38.1]	1 1/2" MPT [38.1]
B	1 1/2" MPT [38.1]	2 1/2" MPT [63.5]
C	2 3/8" [60.3]	3 1/8" [79.4]
D	4 7/8" [123.8]	3 1/8" [79.4]
E	2 1/8" [54.0]	4 9/16" [115.8]
F	1'-11 1/4" [590.6]	1'-9" [584.2]
G	3'-4" [1016.0]	3'-4" [1016.0]

NOTE: Dimensions in [] are millimeters.

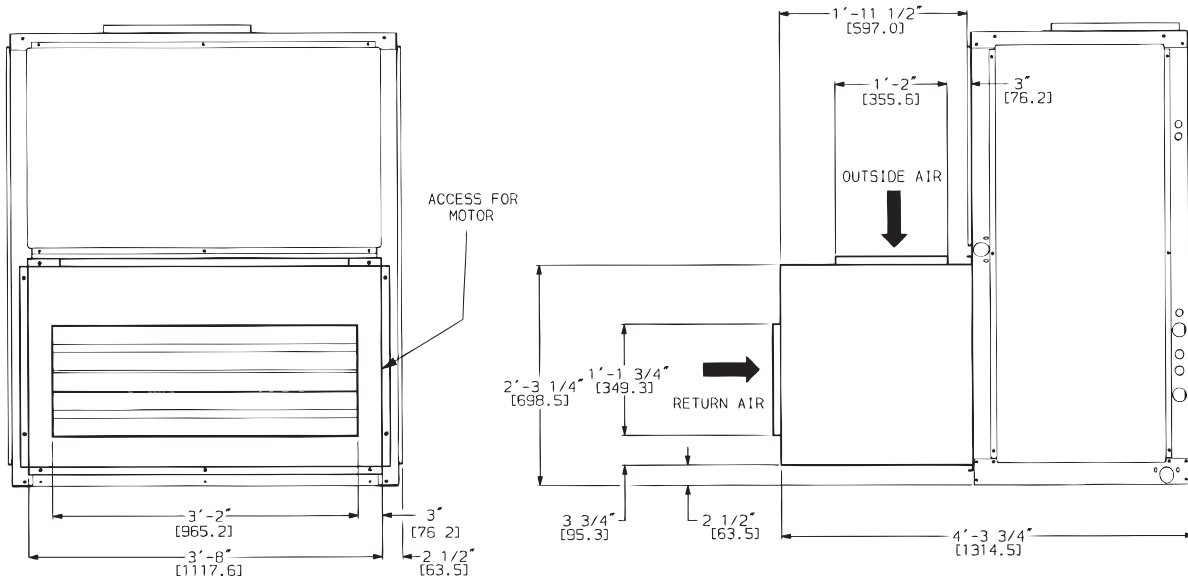
Unit Sizes 180 & 240



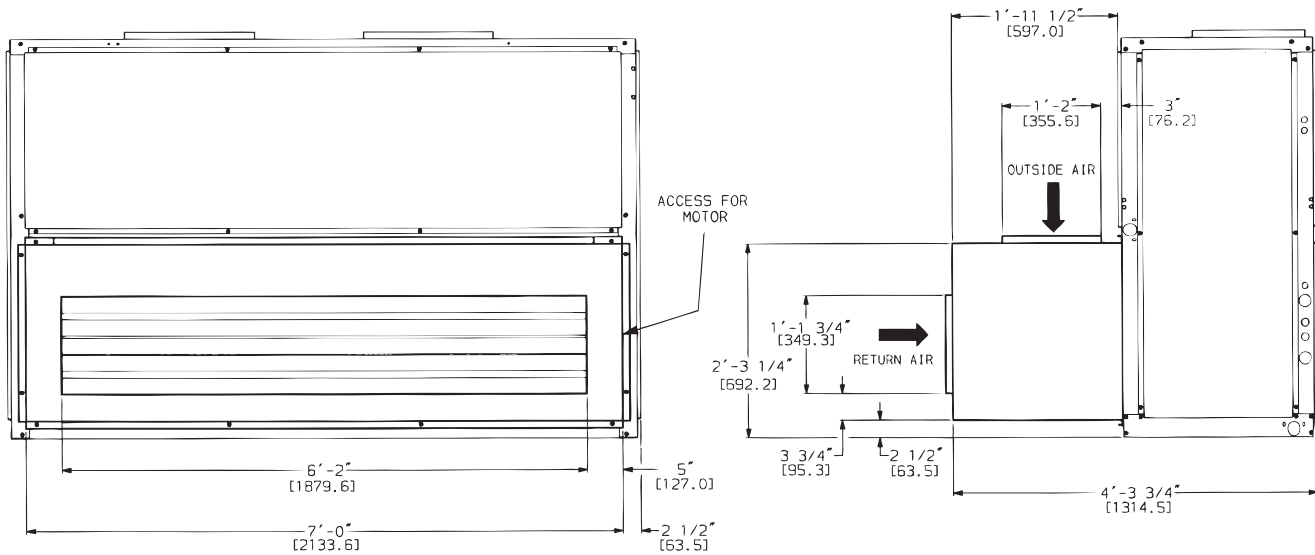
DIMENSION	HOT WATER COIL	STEAM COIL
A	2" MPT [50.8]	1 1/2" MPT [38.1]
B	2" MPT [50.8]	2 1/2" MPT [63.5]
C	2 3/8" [60.3]	3 1/8" [79.4]
D	4 7/8" [123.8]	3 1/8" [79.4]
E	2 1/8" [54.0]	4 9/16" [115.8]
F	1'-11 1/4" [590.6]	1'-9" [584.2]
G	6'-8" [2032.0]	6'-8" [2032.0]

ECONOMIZER ACCESSORY

Unit Sizes 072-120



Unit Sizes 180 & 240

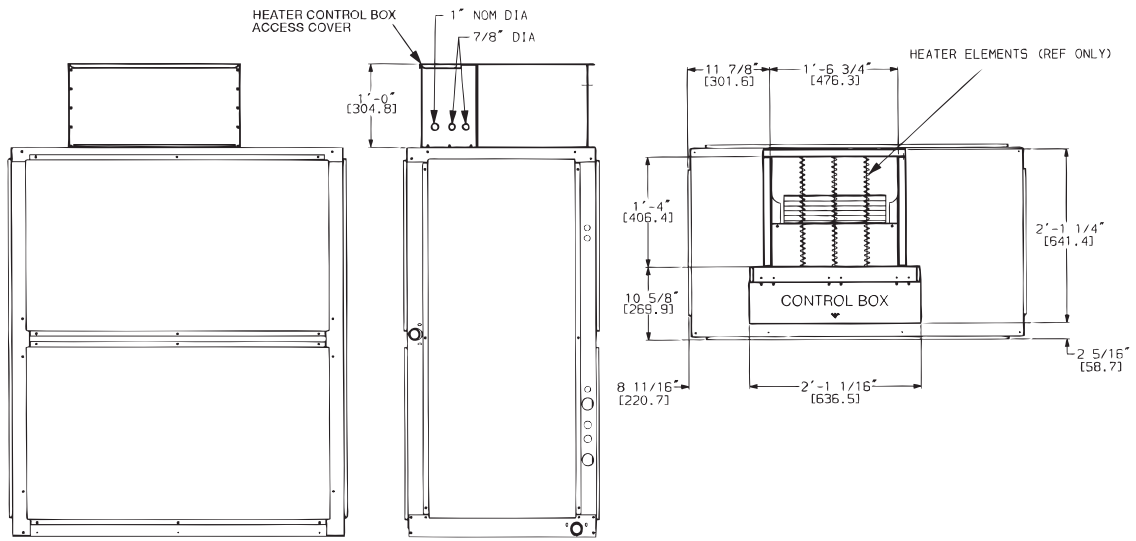


NOTE:

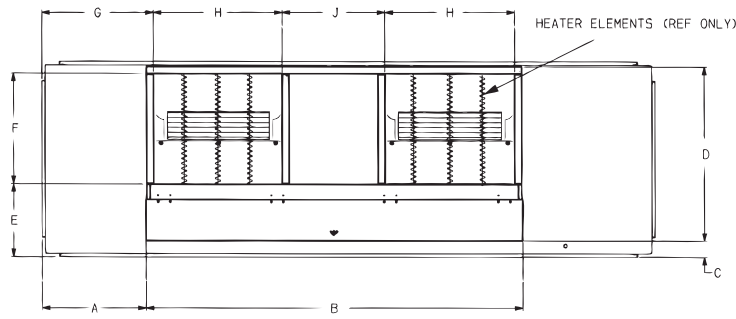
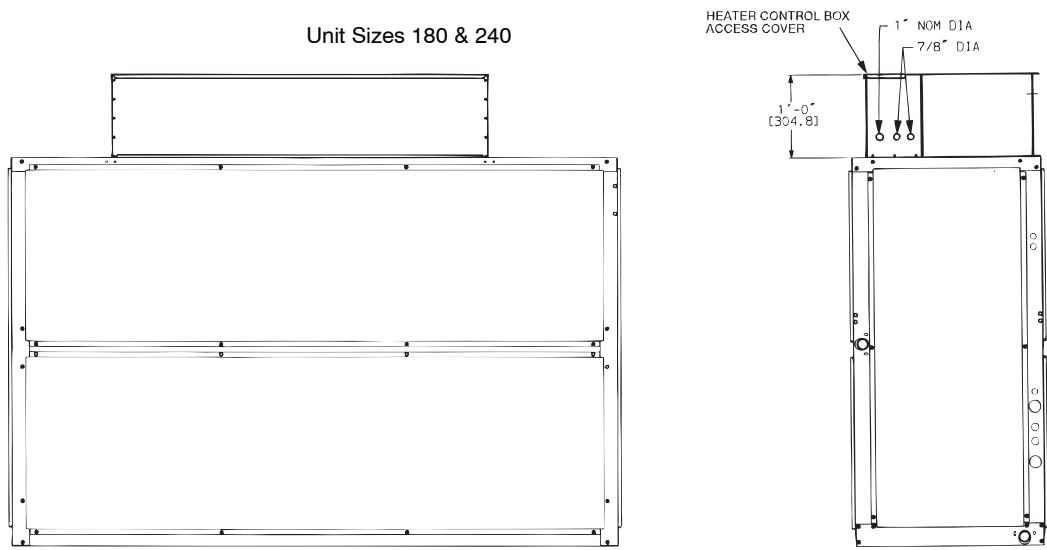
1. For horizontal unit applications, economizer can be attached to end of unit opposite duct connections.
2. Dimensions in [] are millimeters.

ELECTRIC HEAT ACCESSORY

Unit Sizes 072-120



Unit Sizes 180 & 240



Unit FHS	A	B	C	D	E	F	G	H	J
180 - 240	15-1/4 [387]	54-3/8 [1381]	2-5/16 [59]	25-1/4 [641]	10-5/8 [270]	16 [406]	16-5/16 [414]	18-3/8 [467]	15-3/8 [391]

Physical Data

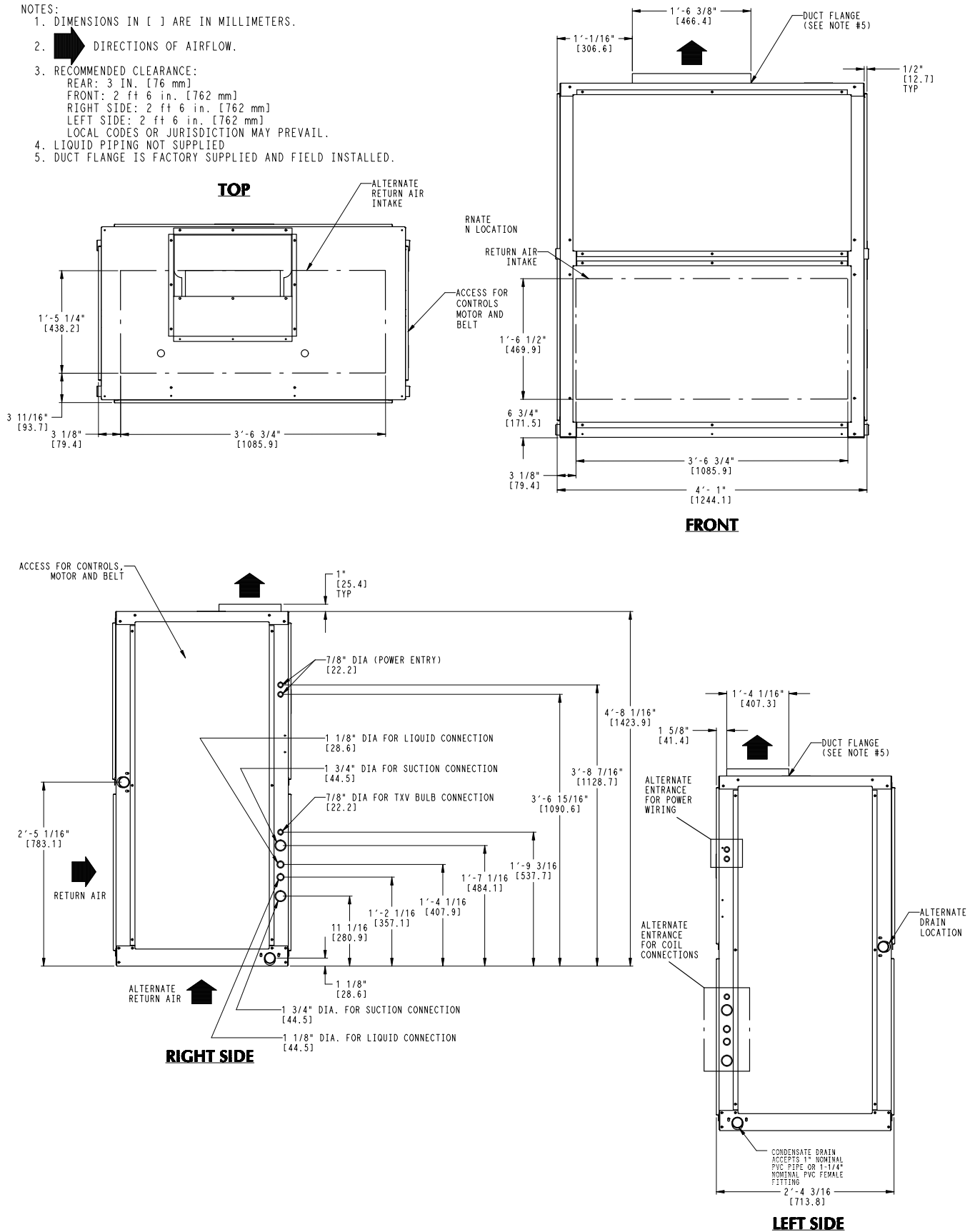
UNIT FHS	072	091	120	180	240
NOMINAL CAPACITY (Tons)	6	7 ¹ / ₂	10	15	20
FANS					
Qty...Diam. (in.)	1...15	1...15	1...15	2...15	2...15
Nominal Airflow (cfm)	2400	3000	4000	6000	8000
Airflow Range (cfm)	180-3000	2250-3750	3000-5000	4500-7500	6000-10000
Nominal Motor Hp (Standard Motor)*					
208/230-1-60	2.4	2.4	—	—	—
208/230-3-60 and 460-3-60	2.4	2.4	2.4	3.7	5.0
575-3-60	2.0	2.0	2.0	3.0	5.0
Motor Speed (rpm)					
208/230-1-60	1725	1725	—	—	—
208/230-3-60 and 460-3-60	1725	1725	1725	1725	1745
575-3-60	1725	1725	1725	1725	1745
REFRIGERANT SYSTEM					
# Circuit Splits	1	1	2	2	2
Split typepercentage	—	—	Face50/50	Face50/50	Face50/50
Shipping charge A/B (lbs)	Nitrogen purge				
Metering Device	TXV	TXV	TXV	TXV	TXV
DIRECT-EXPANSION COIL					
Enhanced Copper Tubes, Aluminum Sine-Wave Fins					
Max Working Pressure (psig)	650				
Material – tube / fin	Al / Cu	Al / Cu	Al / Cu	Al / Cu	Al / Cu
Coil Type	RTPF				
Face Area (sq ft)	8.3	8.3	10.0	19.9	19.9
No. of Splits	1	1	2	2	2
Split Type...Percentage	—	—	Face...50/50	Face...50/50	Face...50/50
No. of Circuits per Split	15	15	9	18	18
Rows...Fins/in.	3 / 15	4 / 15	4 / 15	4 / 15	4 / 15
STEAM COIL					
Max Working Pressure (psig at 260 F)	20				
Total Face Area (sq ft)	6.67	6.67	6.67	13.33	13.33
Rows...Fins/in.	1...9	1...9	1...9	1...10	1...10
HOT WATER COIL					
Max Working Pressure (psig)	150				
Total Face Area (sq ft)	6.67	6.67	6.67	13.33	13.33
Rows...Fins/in.	2...8.5	2...8.5	2...8.5	2...8.5	2...8.5
Water Volume					
(gal)	8.3			13.9	
(ft ³)	1.1			1.85	
PIPING CONNECTIONS					
Quantity...Size (in.)					
DX Coil — Suction (ODF)	1...1 ¹ / ₈	1...1 ¹ / ₈	2...1 ¹ / ₈	2...1 ¹ / ₈	2...1 ¹ / ₈
DX Coil — Liquid Refrigerant (ODF)	1... ⁵ / ₈	1... ⁵ / ₈	2... ⁵ / ₈	2... ⁵ / ₈	2... ⁵ / ₈
Steam Coil, In (MPT)	1...2 ¹ / ₂	1...2 ¹ / ₂	1...2 ¹ / ₂	1...2 ¹ / ₂	1...2 ¹ / ₂
Steam Coil, Out (MPT)	1...1 ¹ / ₂	1...1 ¹ / ₂	1...1 ¹ / ₂	1...1 ¹ / ₂	1...1 ¹ / ₂
Hot Water Coil, In (MPT)	1...1 ¹ / ₂	1...1 ¹ / ₂	1...1 ¹ / ₂	1...2	1...2
Hot Water Coil, Out (MPT)	1...1 ¹ / ₂	1...1 ¹ / ₂	1...1 ¹ / ₂	1...2	1...2
Condensate (PVC)	1...Accepts 1-in nominal PVC pipe or 1 ¹ / ₄ -in nominal PVC pipe female fitting				
FILTERS					
Throwaway — Factory-Supplied					
Quantity...Size (in.)	4...16 x 24 x 2			4...16 x 20 x 2	
Access Location	Right or Left Side				

* Refer to Alternate Fan Motor Data table for alternate motor data.


Dimensions - FHS072-120

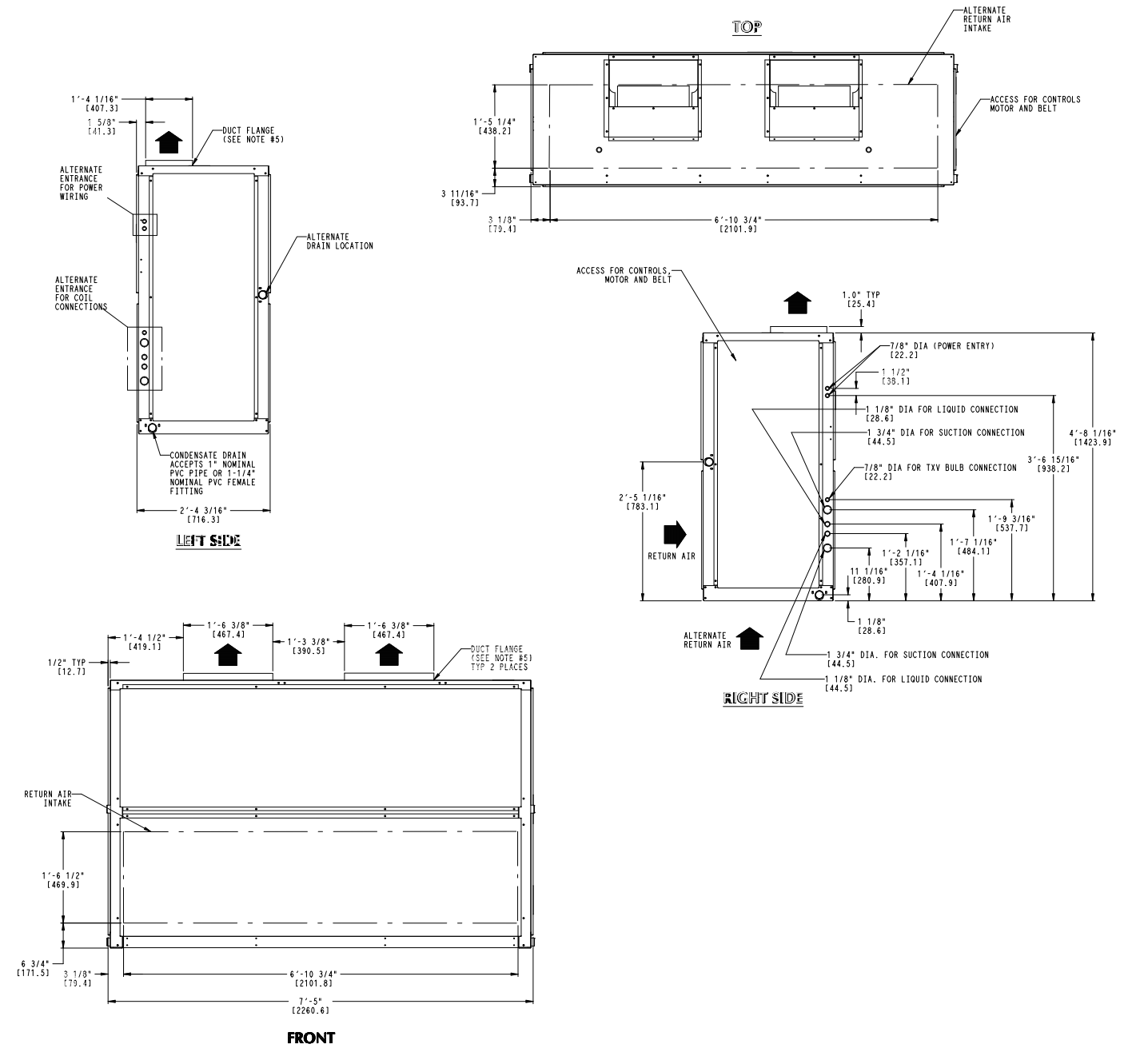
NOTES:

1. DIMENSIONS IN [] ARE IN MILLIMETERS.
2. DIRECTIONS OF AIRFLOW.
3. RECOMMENDED CLEARANCE:
 REAR: 3 IN. [76 mm]
 FRONT: 2 ft 6 in. [762 mm]
 RIGHT SIDE: 2 ft 6 in. [762 mm]
 LEFT SIDE: 2 ft 6 in. [762 mm]
 LOCAL CODES OR JURISDICTION MAY PREVAIL.
4. LIQUID PIPING NOT SUPPLIED
5. DUCT FLANGE IS FACTORY SUPPLIED AND FIELD INSTALLED.

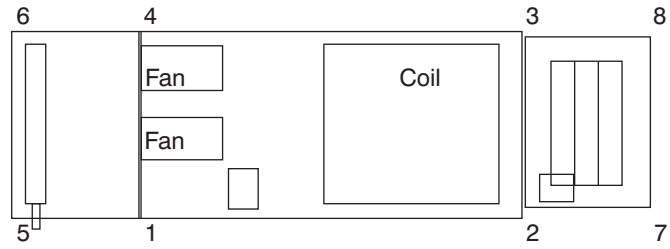


Dimensions - FHS180 & 240

- NOTES:
1. DIMENSIONS IN [] ARE IN MILLIMETERS.
 2.  DIRECTIONS OF AIRFLOW.
 3. RECOMMENDED CLEARANCE:
 REAR: 3 in. [76 mm]
 FRONT: 2 ft 6 in. [762 mm]
 RIGHT SIDE: 2 ft 6 in. [762 mm]
 LEFT SIDE: 2 ft 6 in. [762 mm]
 LOCAL CODES OR JURISDICTION MAY PREVAIL.
 4. LIQUID PIPING NOT SUPPLIED
 5. DUCT FLANGE IS FACTORY SUPPLIED AND FIELD INSTALLED.



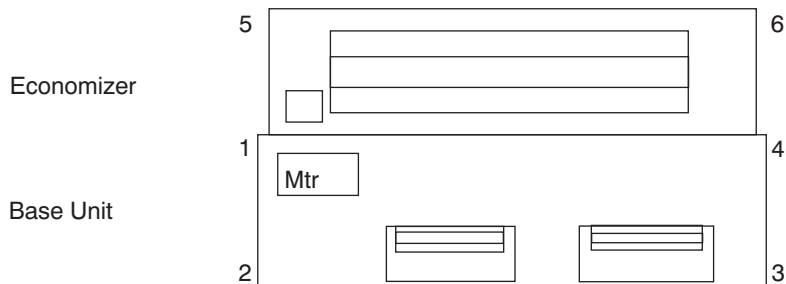
CORNER WEIGHTS HORIZONTAL POSITION



Steam Coil or
Hot Water Coil
Base Unit Fan Coil
Economizer

UNIT FHS	UNIT OR ACCESSORY NAME		UNIT OR ACCESSORY WEIGHT lb (kg)	CORNER NUMBER (WEIGHT IN LB)							
				1	2	3	4	5	6	7	8
072-120	FAN COIL BASE UNIT		394 (178.7)	108.0	104.7	89.4	92.2	—	—	—	—
	STEAM COIL	ADD	137 (62.1)	25.6	0.0	0.0	25.9	42.4	43.0	0.0	0.0
	HOT WATER COIL	ADD	143 (64.9)	26.3	0.0	0.0	26.9	44.3	45.5	0.0	0.0
	ECONOMIZER	ADD	128 (58.5)	0.0	25.5	24.7	0.0	0.0	0.0	39.3	38.1
	ECO + STEAM COIL	ADD	264 (115.2)	25.6	25.5	24.7	25.9	42.4	43.0	39.3	38.1
	ECO + HW COIL	ADD	271 (122.9)	26.3	25.5	24.7	26.9	44.3	45.5	39.3	38.1
180 & 240	FAN COIL BASE UNIT		684 (310.3)	220.5	174.9	127.8	161.1	—	—	—	—
	STEAM COIL	ADD	239 (108.4)	43.2	0.0	0.0	43.6	75.8	76.5	0.0	0.0
	HOT WATER COIL	ADD	245 (111.1)	44.5	0.0	0.0	44.1	78.7	77.9	0.0	0.0
	ECONOMIZER	ADD	217 (98.4)	0.0	42.7	39.6	0.0	0.0	0.0	70.1	65.1
	ECO + STEAM COIL	ADD	456 (206.8)	43.2	42.7	39.6	43.6	75.8	76.5	70.1	65.1
		ECO + HW COIL	ADD	463 (210.0)	44.5	42.7	39.6	44.1	78.7	77.9	70.1

CORNER WEIGHTS VERTICAL POSITION



NOTE: Steam, Hot Water & Plenum on top of positions 1,2,3,4

UNIT FHS	UNIT OR ACCESSORY NAME		UNIT OR ACCESSORY WEIGHT lb (kg)	CORNER NUMBER (WEIGHT IN LB)						
				1	2	3	4	5	6	
072-120	FAN COIL BASE UNIT		394 (178.7)	99.3	113.5	96.8	84.7	—	—	
	STEAM COIL	ADD	137 (62.1)	34.5	34.5	34.0	34.0	0.0	0.0	
	HOT WATER COIL	ADD	143 (64.9)	36.2	36.2	35.3	35.3	0.0	0.0	
	PLENUM	ADD	175 (79.4)	50.8	36.7	36.7	50.8	0.0	0.0	
	ECONOMIZER	ADD	128 (58.1)	25.5	0.0	0.0	24.7	39.3	38.1	
	ECO + STEAM COIL	ADD	264 (119.7)	59.9	34.5	34.0	58.7	39.3	38.1	
180 & 240	ECO + HW COIL		ADD	271 (122.9)	61.7	36.2	35.3	60.0	39.3	38.1
	FAN COIL BASE UNIT		684 (310.3)	188.2	207.2	151.4	137.3	—	—	
	STEAM COIL	ADD	239 (108.4)	60.0	60.0	59.5	59.5	0.0	0.0	
	HOT WATER COIL	ADD	245 (111.1)	61.0	61.0	61.6	61.6	0.0	0.0	
	PLENUM	ADD	225 (102.1)	72.5	40.0	40.0	72.5	0.0	0.0	
	ECONOMIZER	ADD	217 (98.4)	42.7	0.0	0.0	39.6	70.1	65.1	
	ECO + STEAM COIL	ADD	456 (206.8)	102.7	60.0	59.5	99.1	70.1	65.1	
ECO + HW COIL	ADD	463 (210.0)	103.7	61.0	61.6	101.2	70.1	65.1		

PERFORMANCE DATA

COOLING ONLY PERFORMANCE

UNIT FHS	EVAPORATOR AIR		COIL REFRIGERANT TEMP (F)									
	AIR FLOW (CFM)	EWB (F)	30		35		40		45		50	
			TC	SHC	TC	SHC	TC	SHC	TC	SHC	TC	SHC
072	1800	72	146.4	71.0	132.1	64.3	116.7	57.3	100.0	49.7	81.8	42.0
		67	121.8	74.0	107.6	66.4	92.4	58.9	76.0	51.2	58.3	43.6
		62	99.3	75.5	85.3	67.9	70.2	60.2	54.9	52.4	44.2	44.2
	2400	72	179.3	87.1	161.7	79.1	142.6	70.4	122.0	61.2	99.5	51.8
		67	149.5	91.5	132.2	82.4	113.3	73.2	93.0	63.8	71.0	54.4
		62	122.3	94.2	105.0	84.9	86.2	75.5	67.6	65.7	55.2	55.2
	3000	72	207.4	101.3	186.8	92.0	164.6	81.7	140.6	71.2	114.6	60.4
		67	173.3	106.7	153.1	96.4	131.2	85.8	107.5	75.1	81.9	64.3
		62	142.1	110.8	122.0	100.2	100.0	89.3	78.2	78.2	65.2	65.2
091	2250	72	182.6	88.6	165.5	132.0	146.7	95.2	126.3	64.2	104.0	104.0
		67	152.4	92.7	135.4	83.7	116.9	74.6	96.6	65.2	74.6	55.7
		62	124.9	95.2	107.8	86.0	89.3	76.6	70.2	67.0	56.7	56.7
	3000	72	221.4	107.7	200.6	98.2	177.7	87.8	152.8	76.8	125.7	65.6
		67	185.4	113.8	164.7	103.1	142.1	92.1	117.4	80.9	90.5	69.5
		62	152.4	118.1	131.6	107.2	109.0	95.8	86.2	83.9	70.9	70.9
	3750	72	253.9	124.2	229.9	113.3	203.8	101.4	175.1	89.0	143.9	76.3
		67	213.4	132.1	189.5	120.1	163.4	107.7	135.0	95.0	104.0	82.0
		62	175.8	138.6	151.9	126.1	125.8	113.1	99.4	99.4	83.3	83.3
120	3000	72	221.4	107.7	200.6	163.3	177.7	117.8	152.8	79.1	125.7	125.7
		67	185.4	113.8	164.7	103.1	142.1	92.1	117.4	80.9	90.5	69.5
		62	152.4	118.1	131.6	107.2	109.0	95.8	86.2	83.9	70.9	70.9
	4000	72	263.7	129.4	238.7	117.9	211.6	105.6	181.9	92.8	149.4	79.6
		67	221.7	137.8	197.0	125.4	169.9	112.6	140.3	99.4	108.1	85.9
		62	182.9	144.9	158.0	132.1	130.8	118.5	104.0	104.0	87.2	87.2
	5000	72	298.3	147.4	270.2	134.4	239.6	120.8	205.9	106.6	169.0	91.9
		67	251.7	158.5	223.7	144.8	193.0	130.6	159.4	115.9	122.9	100.7
		62	208.3	168.6	180.1	154.3	149.1	138.5	120.4	120.4	101.5	101.5
180	4500	72	360.1	174.8	326.2	260.8	289.1	187.9	248.7	126.7	204.7	204.7
		67	300.7	183.1	267.0	165.3	230.4	147.2	190.2	128.6	146.8	109.9
		62	246.5	188.2	212.7	170.0	176.0	151.4	138.3	132.3	111.9	111.9
	6000	72	435.7	212.1	394.7	193.6	349.4	172.9	300.3	151.3	246.8	129.2
		67	365.2	224.3	324.1	203.3	279.5	181.6	230.8	159.5	177.6	136.9
		62	300.2	233.1	259.1	211.5	214.3	189.0	169.6	165.5	139.7	139.7
	7500	72	499.1	244.5	451.7	222.9	400.1	199.4	343.7	175.1	282.2	150.0
		67	419.5	260.2	372.5	236.6	321.1	212.2	265.0	187.0	203.9	161.3
		62	345.9	273.1	298.6	248.6	247.0	222.8	195.7	195.7	164.0	164.0
240	6000	72	443.7	215.8	406.1	329.5	363.8	240.8	317.1	164.0	265.2	265.2
		67	374.1	229.7	335.9	210.2	293.5	189.7	246.5	168.3	194.4	146.0
		62	309.8	240.3	271.0	219.9	227.9	198.4	182.4	175.5	149.2	149.2
	8000	72	523.5	257.1	479.7	236.8	430.7	214.8	375.8	191.3	314.5	166.4
		67	443.7	276.5	399.2	254.6	349.3	231.1	293.7	206.4	232.0	180.5
		62	369.1	293.6	323.5	270.3	272.6	245.2	220.6	217.2	184.8	184.8
	10000	72	586.4	289.8	538.6	268.1	484.6	244.5	423.1	218.9	354.4	191.6
		67	499.5	316.4	450.2	292.8	394.6	267.3	332.3	240.1	262.8	211.4
		62	417.2	340.3	366.3	314.9	309.4	286.4	253.1	253.1	215.4	215.4

LEGEND

TC - Total Capacity Gross (Mbtuh)

SHC - Sensible Heat Gross (Mbtuh)

PERFORMANCE DATA (cont.)

HYDRONIC HEATING CAPACITIES

UNIT FHS	AIRFLOW (Cfm)	1-ROW STEAM*		2-ROW HOT WATER COIL†			
		Cap.	Ldb	Cap.	Ldb	Water Flow (Gpm)	PD
072	1,800	146	134	156.0	140	15.6	3.4
	2,400	173	126	183.0	131	18.3	4.3
	3,000	209	123	206.0	124	20.6	5.2
091	2,250	168	129	174.0	133	17.4	4.0
	3,000	209	123	206.0	124	20.6	5.2
	3,750	240	117	238.0	118	23.8	6.5
120	3,000	209	123	299.0	152	29.9	5.0
	4,000	243	115	275.0	124	27.5	6.6
	5,000	279	111	316.0	119	31.6	8.2
180	4,500	402	141	412.0	145	41.2	4.5
	6,000	458	129	471.0	133	47.1	5.5
	7,500	479	118	529.0	125	52.9	6.6
240	6,000	458	129	506.0	138	50.6	5.1
	8,000	487	115	584.0	128	58.4	6.3
	10,000	499	105	652.0	120	65.2	7.5

LEGEND:

Cap. – Capacity (Btuh in thousands)

Ldb – Leaving Air Dry Bulb Temp (°F)

PD – Pressure Drop (ft water)

* Based on 5 psig steam, 60°F entering-air temperature. All steam coils are non-freeze type.

† Based on 200°F entering water, 20°F water temperature drop, 60°F entering-air temperature.

NOTES:

- Maximum operating limits for heating coils: 20 psig at 260°F.
- Leaving db = ent db (°F) + $\frac{\text{Capacity (Btuh)}}{1.1 \times \text{cfm}}$
- See Heating Correction Factors table.

HEATING CORRECTION FACTORS

HOT WATER COIL						
Water Temp Drop (°F)	Ent Water Temp (°F)	Entering-Air Temp (°F)				
		40	50	60	70	80
10	140	0.72	0.64	0.57	0.49	0.41
	160	0.89	0.81	0.74	0.66	0.58
	180	1.06	0.98	0.90	0.83	0.75
	200	1.22	1.15	1.07	1.00	0.92
	220	1.39	1.32	1.24	1.17	1.09
20	140	0.64	0.57	0.49	0.41	0.33
	160	0.81	0.74	0.66	0.58	0.51
	180	0.98	0.91	0.83	0.75	0.68
	200	1.15	1.08	1.00	0.93	0.85
	220	1.32	1.25	1.17	1.10	1.02
30	140	0.56	0.49	0.41	0.33	0.24
	160	0.74	0.66	0.58	0.51	0.43
	180	0.91	0.83	0.76	0.68	0.60
	200	1.08	1.00	0.93	0.85	0.78
	220	1.25	1.18	1.10	1.03	0.95

STEAM COIL					
Steam Pressure (psig)	Entering-Air Temp (°F)				
	40	50	60	70	80
0	1.06	0.98	0.91	0.85	0.78
2	1.09	1.02	0.95	0.89	0.82
5	1.13	1.06	1.00	0.93	0.87

NOTE:

Multiply capacity given in the Hydronic Heating Capacities table by the correction factor for conditions at which unit is actually operating. Correct leaving-air temperature using formula in Note 2 of Hydronic Heating Capacities table.

PERFORMANCE DATA (cont.)

FAN PERFORMANCE DATA — FHS, 0.0-1.2 in. wg ESP — 60 Hz

UNIT FHS	AIRFLOW (Cfm)	EXTERNAL STATIC PRESSURE (in. wg)													
		0.0		0.2		0.4		0.6		0.8		1.0		1.2	
		Rpm	Bhp	Rpm	Bhp	Rpm	Bhp	Rpm	Bhp	Rpm	Bhp	Rpm	Bhp	Rpm	Bhp
072	1,800	399	0.19	454	0.24	548	0.35	634	0.47	713	<u>0.60</u>	785	<u>0.74</u>	850	<u>0.89</u>
	2,100	446	0.28	497	0.34	583	0.46	660	0.59	<u>733</u>	<u>0.73</u>	802	<u>0.88</u>	867	<u>1.05</u>
	2,400	498	0.40	541	0.47	622	0.60	<u>693</u>	<u>0.74</u>	<u>760</u>	<u>0.89</u>	824	<u>1.05</u>	<u>885</u>	<u>1.22</u>
	2,700	544	0.55	588	0.63	663	0.78	<u>730</u>	<u>0.93</u>	<u>792</u>	<u>1.09</u>	<u>851</u>	<u>1.26</u>	<u>909</u>	<u>1.44</u>
	3,000	594	0.73	635	0.82	<u>707</u>	<u>0.99</u>	<u>770</u>	<u>1.15</u>	<u>828</u>	<u>1.32</u>	<u>883</u>	<u>1.50</u>	<u>937</u>	<u>1.69</u>
091	2,250	273	0.08	493	0.37	580	0.49	656	0.62	727	0.76	<u>794</u>	<u>0.92</u>	<u>858</u>	<u>1.08</u>
	2,600	322	0.15	540	0.52	622	0.66	693	0.81	<u>757</u>	<u>0.96</u>	819	<u>1.12</u>	<u>878</u>	<u>1.29</u>
	3,000	552	0.65	595	0.73	673	0.91	740	1.07	<u>800</u>	<u>1.24</u>	<u>856</u>	<u>1.41</u>	<u>910</u>	<u>1.60</u>
	3,400	615	0.91	653	1.01	726	1.21	<u>789</u>	<u>1.40</u>	<u>846</u>	<u>1.59</u>	<u>899</u>	<u>1.78</u>	<u>950</u>	<u>1.97</u>
	3,750	671	1.20	706	1.31	<u>773</u>	<u>1.53</u>	<u>834</u>	<u>1.74</u>	<u>889</u>	<u>1.95</u>	<u>940</u>	<u>2.16</u>	<u>988</u>	<u>2.37</u>
120	3,000	421	0.35	592	0.73	670	0.90	737	1.06	<u>797</u>	<u>1.23</u>	854	<u>1.41</u>	<u>908</u>	<u>1.59</u>
	3,500	626	0.98	664	1.08	735	1.28	798	1.48	<u>855</u>	<u>1.67</u>	908	<u>1.87</u>	<u>958</u>	<u>2.07</u>
	4,000	706	1.42	738	1.54	803	1.77	862	2.00	<u>917</u>	<u>2.23</u>	<u>967</u>	<u>2.45</u>	<u>1014</u>	<u>2.67</u>
	4,500	786	1.99	815	2.12	873	2.39	929	2.65	980	2.90	<u>1028</u>	<u>3.16</u>	<u>1073</u>	<u>3.41</u>
	5,000	<u>867</u>	<u>2.70</u>	<u>893</u>	<u>2.84</u>	<u>946</u>	<u>3.14</u>	<u>997</u>	<u>3.43</u>	<u>1046</u>	<u>3.72</u>	<u>1092</u>	<u>4.00</u>	<u>1135</u>	<u>4.28</u>
180	4,500	437	0.61	483	0.72	576	1.01	660	1.35	<u>732</u>	<u>1.69</u>	<u>797</u>	<u>2.03</u>	<u>856</u>	<u>2.38</u>
	5,300	499	0.95	538	1.07	617	1.37	696	1.74	<u>767</u>	<u>2.13</u>	<u>830</u>	<u>2.53</u>	<u>888</u>	<u>2.94</u>
	6,000	555	1.34	590	1.48	659	1.79	730	2.17	<u>798</u>	<u>2.59</u>	860	3.04	918	3.49
	6,800	620	1.91	651	2.06	<u>712</u>	<u>2.39</u>	<u>774</u>	<u>2.78</u>	<u>836</u>	<u>3.22</u>	<u>896</u>	<u>3.71</u>	<u>952</u>	<u>4.21</u>
	7,500	677	2.52	<u>706</u>	<u>2.69</u>	<u>761</u>	<u>3.04</u>	<u>817</u>	<u>3.44</u>	<u>873</u>	<u>3.89</u>	<u>929</u>	<u>4.39</u>	<u>984</u>	<u>4.93</u>
240	6,000	542	1.29	577	1.42	646	1.72	716	2.09	785	2.51	849	2.95	<u>907</u>	<u>3.40</u>
	7,000	620	1.99	652	2.15	711	2.48	771	2.85	831	3.28	<u>890</u>	<u>3.76</u>	<u>947</u>	<u>4.27</u>
	8,000	700	2.92	728	3.10	781	3.46	833	3.85	<u>885</u>	<u>4.29</u>	<u>938</u>	<u>4.78</u>	<u>990</u>	<u>5.32</u>
	9,000	781	4.10	806	4.30	854	4.71	<u>900</u>	<u>5.13</u>	<u>946</u>	<u>5.58</u>	<u>993</u>	<u>6.08</u>	<u>1039</u>	<u>6.62</u>
	10,000	862	5.56	<u>885</u>	<u>5.79</u>	<u>929</u>	<u>6.24</u>	<u>971</u>	<u>6.70</u>	<u>1012</u>	<u>7.18</u>	<u>1054</u>	<u>7.69</u>	<u>1096</u>	<u>8.24</u>

FAN PERFORMANCE DATA — FHS, 1.4-2.4 in. wg ESP — 60 Hz

UNIT FHS	AIRFLOW (Cfm)	EXTERNAL STATIC PRESSURE (in. wg)											
		1.4		1.6		1.8		2.0		2.2		2.4	
		Rpm	Bhp	Rpm	Bhp	Rpm	Bhp	Rpm	Bhp	Rpm	Bhp	Rpm	Bhp
072	1,800	910	1.04	965	1.20	1016	1.36	1065	1.52	1111	1.69	1155	1.86
	2,100	<u>927</u>	<u>1.21</u>	<u>983</u>	<u>1.38</u>	<u>1035</u>	<u>1.56</u>	<u>1084</u>	<u>1.74</u>	<u>1131</u>	<u>1.92</u>	<u>1175</u>	<u>2.11</u>
	2,400	944	1.41	999	1.59	<u>1052</u>	<u>1.78</u>	1101	1.98	1149	2.18	1193	2.38
	2,700	964	<u>1.63</u>	<u>1018</u>	<u>1.82</u>	<u>1069</u>	<u>2.03</u>	1118	2.24	1165	2.45	—	—
	3,000	989	<u>1.89</u>	<u>1039</u>	<u>2.10</u>	1089	2.31	1136	2.53	1183	2.76	—	—
091	2,250	918	<u>1.26</u>	975	1.43	<u>1029</u>	1.62	<u>1079</u>	1.80	<u>1126</u>	1.99	<u>1172</u>	2.18
	2,600	936	1.48	991	1.67	1044	1.87	1094	2.07	<u>1142</u>	2.28	<u>1188</u>	<u>2.49</u>
	3,000	963	1.79	1014	1.99	1064	2.20	<u>1113</u>	<u>2.42</u>	<u>1159</u>	2.64	—	—
	3,400	<u>998</u>	<u>2.18</u>	<u>1045</u>	<u>2.39</u>	<u>1092</u>	<u>2.61</u>	<u>1137</u>	<u>2.83</u>	<u>1182</u>	<u>3.07</u>	—	—
	3,750	<u>1034</u>	<u>2.58</u>	<u>1078</u>	<u>2.80</u>	<u>1122</u>	<u>3.03</u>	<u>1164</u>	<u>3.27</u>	—	—	—	—
120	3,000	961	1.78	1012	1.98	1062	2.19	1111	2.41	<u>1158</u>	2.64	—	—
	3,500	<u>1005</u>	<u>2.27</u>	<u>1052</u>	<u>2.49</u>	<u>1098</u>	<u>2.71</u>	<u>1142</u>	<u>2.94</u>	<u>1186</u>	3.18	—	—
	4,000	<u>1058</u>	<u>2.90</u>	<u>1101</u>	<u>3.13</u>	<u>1143</u>	<u>3.36</u>	<u>1184</u>	<u>3.60</u>	—	—	—	—
	4,500	<u>1116</u>	<u>3.66</u>	<u>1157</u>	<u>3.91</u>	<u>1196</u>	<u>4.16</u>	—	—	—	—	—	—
	5,000	<u>1176</u>	<u>4.56</u>	—	—	—	—	—	—	—	—	—	—
180	4,500	<u>912</u>	<u>2.75</u>	<u>967</u>	<u>3.12</u>	1019	3.52	1070	3.92	1120	4.35	1168	4.79
	5,300	<u>942</u>	<u>3.34</u>	<u>992</u>	<u>3.76</u>	1041	4.18	1088	4.61	1134	5.06	1179	5.52
	6,000	<u>971</u>	<u>3.95</u>	1020	4.40	1067	4.86	1112	5.33	1156	5.81	1198	6.29
	6,800	<u>1005</u>	<u>4.72</u>	1054	5.23	1101	5.75	1145	6.27	1187	6.79	—	—
	7,500	1036	5.48	1084	6.04	1131	6.61	1174	7.17	—	—	—	—
240	6,000	<u>961</u>	<u>3.86</u>	1011	4.31	<u>1058</u>	<u>4.77</u>	1104	5.24	1147	5.71	—	—
	7,000	<u>1000</u>	<u>4.79</u>	<u>1050</u>	<u>5.32</u>	<u>1097</u>	<u>5.85</u>	1142	6.38	1184	6.91	—	—
	8,000	<u>1041</u>	<u>5.88</u>	<u>1090</u>	<u>6.47</u>	1137	7.07	1181	7.67	—	—	—	—
	9,000	<u>1086</u>	<u>7.21</u>	1133	7.82	1178	8.47	—	—	—	—	—	—
	10,000	1138	8.83	1180	9.46	—	—	—	—	—	—	—	—

LEGEND

ESP — External Static Pressure

Bold indicates field-supplied drive or motor is required.

Plain type indicates standard motor and standard drive.

Underline indicates a different motor and drive combination other than the standard motor and standard drive combination is required. Refer to fan motor and drive tables to complete selection.

PERFORMANCE DATA (cont.)

DUCT SOUND POWER LEVELS (Lw)

Unit FHS	CFM	dB(A)	OCTAVE BAND CENTER FREQUENCY (Hz)						
			63	125	250	500	1000	2000	4000
072	2,400	86.3	93.2	89.2	85.2	84.2	80.2	78.2	74.2
091	3,000	88.3	95.3	91.3	87.3	86.3	82.3	80.3	76.3
120	4,000	91.6	98.6	94.6	90.6	89.6	85.6	83.6	79.6
180	6,000	92.9	99.2	95.2	91.2	92.2	86.2	84.2	80.2
240	8,000	96.4	102.6	98.6	94.6	95.6	89.2	87.6	839.6

LEGEND:

ASHRAE – American Society of Heating, Refrigerating and Air Conditioning, Inc.

HVAC – Heating, Ventilation and Air Conditioning

NOTES:

1. The above estimated sound power levels are based upon the ASHRAE calculation approach from the ASHRAE 1987 HVAC Systems and Applications handbook, Chapter 52.
2. Since this data is calculated, these sound power levels may be different than the actual sound power levels.
3. The acoustic center of the unit is located at the geometric center of the unit.

FACTORY-SUPPLIED FILTER PRESSURE DROP

Unit FHS	UNIT	AIRFLOW (Cfm)	PRESSURE DROP (in. wg)
072	FHS	1,800	0.05
		2,400	0.08
		3,000	0.11
091	FHS	2,250	0.07
		3,000	0.11
		3,750	0.15
120	FHS	3,000	0.11
		4,000	0.17
		5,000	0.23
180	FHS	4,500	0.08
		6,000	0.12
		7,500	0.17
240	FHS	6,000	0.12
		8,000	0.19
		10,000	0.26

ACCESSORY PLENUM AIR THROW DATA (Ft)

UNIT FHS	AIRFLOW (Cfm)	VANE DEFLECTION		
		Straight	21°	45°
072	2,400	39	33	24
091	3,000	45	38	28
120	4,000	55	46	33
180	6,000	50	43	31
240	8,000	60	51	37

NOTE: Throw distances shown are for 75 fpm terminal velocity. Use the following multipliers to determine throw values for other terminal velocities.

TERMINAL VELOCITY (Fpm)	THROW FACTOR
50	X 1.50
100	X 0.75
150	X 0.50

ACCESSORY PRESSURE DROP (in. wg)

UNIT FHS	AIRFLOW (Cfm)	DISCHARGE PLENUM	RETURN AIR GRILLE	Hot Water	Steam	Electric	ECONOMIZER
072	1,800	0.06	0.01	0.10	0.10	0.04	0.05
	2,400	0.10	0.01	0.16	0.16	0.06	0.07
	3,000	0.14	0.02	0.23	0.23	0.10	0.09
091	2,250	0.09	0.01	0.15	0.15	0.06	0.06
	3,000	0.14	0.02	0.23	0.23	0.10	0.09
	3,750	0.21	0.03	0.35	0.35	0.15	0.15
120	3,000	0.14	0.02	0.23	0.23	0.10	0.09
	4,000	0.22	0.04	0.37	0.37	0.17	0.17
	5,000	0.32	0.06	0.53	0.53	0.26	0.28
180	4,500	0.10	0.01	0.15	0.15	0.06	0.06
	6,000	0.16	0.02	0.23	0.23	0.10	0.09
	7,500	0.23	0.03	0.33	0.33	0.15	0.15
240	6,000	0.16	0.02	0.23	0.23	0.10	0.09
	8,000	0.26	0.04	0.37	0.37	0.17	0.17
	10,000	0.37	0.06	0.53	0.53	0.26	0.28

ELECTRICAL DATA

STANDARD MOTORS

UNIT FHS	V*-PH-Hz	VOLTAGE LIMITS	FAN MOTOR		POWER SUPPLY	
			Hp (kW)	FLA	Minimum Circuit Amps	MOCP
072	208/230-1-60	187-253	1.3 (0.97)	7.6	9.5	15
	208/230-3-60	187-253	2.4 (1.79)	5.8	7.5	15
	460-3-60	414-506	2.4 (1.79)	2.6	3.3	15
	575-3-60	518-632	1.0 (0.75)	1.4	1.7	15
091	208/230-1-60	187-253	2.4 (1.79)	11.0	13.8	20
	208/230-3-60	187-253	2.4 (1.79)	5.8	6.5	15
	460-3-60	414-506	2.4 (1.79)	2.6	3.3	15
	575-3-60	518-632	2.0 (1.49)	2.4	3.0	15
120	208/230-3-60	187-253	2.4 (1.79)	5.8	7.3	15
	460-3-60	414-506	2.4 (1.79)	2.6	3.3	15
	575-3-60	518-632	2.0 (1.49)	2.4	3.0	15
180	208/230-3-60	187-253	3.7 (2.76)	10.6	13.3	20
	460-3-60	414-506	3.7 (2.76)	4.8	6.0	15
	575-3-60	518-632	3.0 (2.24)	3.8	4.8	15
240	208/230-3-60	187-253	5.0 (3.73)	14.7/13.6	18.4/17.0	30/25
	460-3-60	414-506	5.0 (3.73)	6.8	8.5	15
	575-3-60	518-632	5.0 (3.73)	5.1	6.4	15

LEGEND

FLA — Full Load Amps

MOCP — Maximum Overcurrent Protection

* Motors are designed for satisfactory operation within 10% of nominal voltages shown. Voltages should not exceed the limits shown in the Voltage Limits column.

NOTES:

1. Minimum circuit amps (MCA) and MOCP values are calculated in accordance with NEC (National Electrical Code) (U.S.A. standard), Article 440.
2. Motor FLA values are established in accordance with UL (Underwriters Laboratories) Standard 1995 (U.S.A. standard).
3. Indoor fan motors 5 hp and larger meet the minimum efficiency requirements as established by the Energy Policy Act of 1992 (EPACT) effective October 24, 1997.
4. Unbalanced 3-Phase Supply Voltage
Never operate a motor where a phase imbalance in supply voltage is greater than 2%. Use the following formula to determine the percentage of voltage imbalance.

$$\% \text{ Voltage Imbalance} = 100 \times \frac{\text{max voltage deviation from average voltage}}{\text{average voltage}}$$

Example: Supply voltage is 230-3-60



AB = 224 v

BC = 231 v

AC = 226 v

$$\begin{aligned} \text{Average Voltage} &= \frac{(224 + 231 + 226)}{3} = \frac{681}{3} \\ &= 227 \end{aligned}$$

Determine maximum deviation from average voltage.

(AB) 227 - 224 = 3 v

(BC) 231 - 227 = 4 v

(AC) 227 - 226 = 1 v

Maximum deviation is 4 v.

Determine percent of voltage imbalance.

$$\begin{aligned} \% \text{ Voltage Imbalance} &= 100 \times \frac{4}{227} \\ &= 1.76\% \end{aligned}$$

This amount of phase imbalance is satisfactory as it is below the maximum allowable 2%.

IMPORTANT: If the supply voltage phase imbalance is more than 2%, contact your local electric utility company immediately.



ELECTRICAL DATA (cont.)

ALTERNATE MOTORS

UNIT FHS	V-PH-Hz*	VOLTAGE LIMITS	FAN MOTOR	FAN MOTOR	POWER SUPPLY	
			Hp (kW)	FLA	Minimum Circuit Amps	MOCP
072	208/230-1-60	187-253	2.4 (1.79)	11.0	13.8	20
	208/230-3-60	187-253	2.9 (2.16)	7.5	9.4	15
	460-3-60	414-506	2.9 (2.16)	3.4	4.3	15
	575-3-60	518-632	2.0 (1.49)	2.3	2.9	15
091	208/230-1-60	187-253	2.4 (1.79)	11.0	13.8	15
	208/230-3-60	187-253	2.9 (2.16)	7.5	9.4	15
	460-3-60	414-506	2.9 (2.16)	3.4	4.3	15
	575-3-60	518-632	3.0 (2.24)	3.8	4.8	15
120	208/230-3-60	187-253	3.7 (2.76)	10.2	12.8	20
	460-3-60	414-506	3.7 (2.76)	4.8	6.0	15
	575-3-60	518-632	3.0 (2.24)	3.8	4.8	15
180	208/230-3-60	187-253	5.0 (3.73)	14.7/13.6	18.4/17.0	30/25
	460-3-60	414-506	5.0 (3.73)	6.8	8.5	15
	575-3-60	518-632	5.0 (3.73)	5.1	6.4	15
240	208/230-3-60	187-253	7.5 (5.59)	21.5/19.4	26.9/24.3	45/40
	460-3-60	414-506	7.5 (5.59)	9.7	12.1	20
	575-3-60	518-632	7.5 (5.59)	7.8	9.8	15

LEGEND

FLA — Full Load Amps

MOCP — Maximum Overcurrent Protection

* Motors are designed for satisfactory operation within 10% of nominal voltages shown. Voltages should not exceed the limits shown in the Voltage Limits column.

NOTES:

1. Minimum circuit amps (MCA) and MOCP values are calculated in accordance with NEC (National Electrical Code) (U.S.A. standard), Article 440.
2. Motor FLA values are established in accordance with UL (Underwriters Laboratories) Standard 1995 (U.S.A. standard).
3. Indoor fan motors 5 hp and larger meet the minimum efficiency requirements as established by the Energy Policy Act of 1992 (EPACT) effective October 24, 1997.
4. Unbalanced 3-Phase Supply Voltage
Never operate a motor where a phase imbalance in supply voltage is greater than 2%. Use the following formula to determine the percentage of voltage imbalance.

$$\% \text{ Voltage Imbalance} = 100 \times \frac{\text{max voltage deviation from average voltage}}{\text{average voltage}}$$

Example: Supply voltage is 230-3-60



AB = 224 v
BC = 231 v
AC = 226 v

$$\text{Average Voltage} = \frac{(224 + 231 + 226)}{3} = \frac{681}{3}$$

$$= 227$$

Determine maximum deviation from average voltage.

(AB) 227 - 224 = 3 v

(BC) 231 - 227 = 4 v

(AC) 227 - 226 = 1 v

Maximum deviation is 4 v.

Determine percent of voltage imbalance.

$$\% \text{ Voltage Imbalance} = 100 \times \frac{4}{227}$$

$$= 1.76\%$$

This amount of phase imbalance is satisfactory as it is below the maximum allowable 2%.

IMPORTANT: If the supply voltage phase imbalance is more than 2%, contact your local electric utility company immediately.



ELECTRICAL DATA (cont.)

ELECTRIC HEATER DATA

HEATER PART NO.	SIZE FHS	V-PH-Hz	FAN MOTOR			ELECTRIC HEATER(S)						MCA*	MOCP*
			Hp	kW	FLA	Nominal Capacity (kW)	Actual Capacity (kW)			FLA			
							Stage 1	Stage 2	Total				
AAHC05AHA	072-120	208-3-60	1.3†	0.97	7.6	5	3.8	—	3.8	10.4	22.5	25	
			2.4†	1.79	11.0	5	3.8	—	3.8	10.4	26.8	35	
			2.4	1.79	5.2	5	3.8	—	3.8	10.4	19.5	20	
			2.9	2.16	7.5	5	3.8	—	3.8	10.4	22.4	25	
			3.7	2.76	10.2	5	3.8	—	3.8	10.4	25.8	30	
		240-3-60	1.3†	0.97	7.6	5	5.0	—	5.0	12.0	24.5	25	
			2.4†	1.79	11.0	5	5.0	—	5.0	12.0	28.8	35	
			2.4	1.79	5.2	5	5.0	—	5.0	12.0	21.5	25	
			2.9	2.16	7.5	5	5.0	—	5.0	12.0	24.4	25	
			3.7	2.76	10.2	5	5.0	—	5.0	12.0	27.8	30	
AAHC05ALA	480-3-60	2.4	1.79	2.6	5	5.0	—	5.0	6.00	10.8	15		
		2.9	2.16	3.4	5	5.0	—	5.0	6.00	11.8	15		
		3.7	2.76	4.8	5	5.0	—	5.0	6.00	13.5	15		
AAHC05ASA	575-3-60	1.0	0.75	1.4	5	5.0	—	5.0	5.00	8.0	15		
		2.0	1.49	2.3	5	5.0	—	5.0	5.00	9.2	15		
		3.0	2.24	3.8	5	5.0	—	5.0	5.00	11.0	15		
AAHC10AHA	072-120	208-3-60	1.3†	0.97	7.6	10	7.5	—	7.5	20.8	35.6	40	
			2.4†	1.79	11.0	10	7.5	—	7.5	20.8	39.8	40	
			2.4	1.79	5.2	10	7.5	—	7.5	20.8	32.6	35	
			2.9	2.16	7.5	10	7.5	—	7.5	20.8	35.4	40	
			3.7	2.76	10.2	10	7.5	—	7.5	20.8	38.8	40	
		240-3-60	1.3†	0.97	7.6	10	10.0	—	10.0	24.1	39.6	40	
			2.4†	1.79	11.0	10	10.0	—	10.0	24.1	43.8	50	
			2.4	1.79	5.2	10	10.0	—	10.0	24.1	36.6	40	
			2.9	2.16	7.5	10	10.0	—	10.0	24.1	39.4	40	
			3.7	2.76	10.2	10	10.0	—	10.0	24.1	42.8	50	
AAHC10ALA	480-3-60	2.4	1.79	2.6	10	10.0	—	10.0	12.0	18.3	20		
		2.9	2.16	3.4	10	10.0	—	10.0	12.0	19.3	20		
		3.7	2.76	4.8	10	10.0	—	10.0	12.0	21.0	25		
AAHC10ASA	575-3-60	1.0	0.75	1.4	10	10.0	—	10.0	10.0	14.3	15		
		2.0	1.49	2.3	10	10.0	—	10.0	10.0	15.4	20		
		3.0	2.24	3.8	10	10.0	—	10.0	10.0	17.3	20		
AAHC15AHA	072-120	208-3-60	1.3†	0.97	7.6	15	11.3	—	11.3	31.3	48.6	50	
			2.4†	1.79	11.0	15	11.3	—	11.3	31.3	52.9	60	
			2.4	1.79	5.2	15	11.3	—	11.3	31.3	45.6	50	
			2.9	2.16	7.5	15	11.3	—	11.3	31.3	48.5	50	
			3.7	2.76	10.2	15	11.3	—	11.3	31.3	51.9	60	
		240-3-60	1.3†	0.97	7.6	15	15.0	—	15.0	36.1	54.6	60	
			2.4†	1.79	11.0	15	15.0	—	15.0	36.1	58.9	60	
			2.4	1.79	5.2	15	15.0	—	15.0	36.1	51.6	60	
			2.9	2.16	7.5	15	15.0	—	15.0	36.1	54.5	60	
			3.7	2.76	10.2	15	15.0	—	15.0	36.1	57.9	60	

LEGEND

FLA — Full Load Amps

Hp — Horsepower

MCA — Minimum Circuit Amps

MOCP — Maximum Overcurrent Protection (Amps)

* Values shown are for single-point connection of electric heat accessory and air handler.

† Single-phase motors. All other motors are 3-phase.

NOTES:

- Electrical resistance heaters are rated at 240 v, 480 v, or 575 v. To determine heater capacity (kW) at unit nameplate multiply the 240-v, 480-v, or 575-v capacity (kW) by the factor shown in the table below for the unit voltage.

2. The following equation converts kW of heat energy to Btuh: kW x 3,412 = Btuh.

3. Heater contactor coils are 24 v and require 8 va holding current.

4. Electric heaters are tested and ETL approved at maximum total external static pressure of 1.9 in. wg.

5. MCA and MOCP values apply to both standard and alternate factory-supplied motors.

6. Approximate shipping weight for heaters used in 072, 091, 120 size fan coils is 55 lb (25 kg) each.



HEATER RATING VOLTAGE	ACTUAL HEATER VOLTAGE										
	200	208	230	240	400	440	460	480	550	575	600
240	0.694	0.751	0.918	1	—	—	—	—	—	—	—
480	—	—	—	—	0.694	0.84	0.918	1	—	—	—
575	—	—	—	—	—	—	—	—	0.915	1	1.089

ELECTRICAL DATA (cont.)

ELECTRIC HEATER DATA (cont.)

HEATER PART NO.	SIZE FHS	V-PH-Hz	FAN MOTOR			ELECTRIC HEATER(S)							
						Nom. Capacity (kW)	Actual Capacity (kW)			FLA	MCA*	MOCP*	
			Hp	kW	FLA		Stage 1	Stage 2	Total				
AAHC15ALA		480-3-60	2.4	1.79	2.6	15	15.0	—	15.0	18.0	25.8	30	
			2.9	2.16	3.4	15	15.0	—	15.0	18.0	26.8	30	
			3.7	2.76	4.8	15	15.0	—	15.0	18.0	28.6	30	
AAHC15ASA		575-3-60	1.0	0.75	1.4	15	15.0	—	15.0	15.1	20.6	25	
			2.0	1.49	2.3	15	15.0	—	15.0	15.1	21.7	25	
			3.0	2.24	3.8	15	15.0	—	15.0	15.1	23.6	25	
AAHC25AHA	072-120	208-3-60	1.3†	0.97	7.6	25	11.3	7.5	18.8	52.1	74.7	80	
			2.4†	1.79	11.0	25	11.3	7.5	18.8	52.1	78.9	80	
			2.4	1.79	5.2	25	11.3	7.5	18.8	52.1	71.7	80	
		2.9	2.16	7.5	25	11.3	7.5	18.8	52.1	74.5	80		
		3.7	2.76	10.2	25	11.3	7.5	18.8	52.1	77.9	80		
		240-3-60	1.3†	0.97	7.6	25	15.0	10.0	25.0	60.1	84.7	90	
	2.4†		1.79	11.0	25	15.0	10.0	25.0	60.1	88.9	90		
	2.4		1.79	5.2	25	15.0	10.0	25.0	60.1	81.7	90		
	AAHC25ALA		480-3-60	2.4	1.79	2.6	25	15.0	10.0	25.0	30.1	40.8	50
				2.9	2.16	3.4	25	15.0	10.0	25.0	30.1	41.8	50
				3.7	2.76	4.8	25	15.0	10.0	25.0	30.1	43.6	50
	AAHC25ASA		575-3-60	1.0	0.75	1.4	25	15.0	10.0	25.0	25.1	33.1	35
2.0				1.49	2.3	25	15.0	10.0	25.0	25.1	34.3	35	
3.0				2.24	3.8	25	15.0	10.0	25.0	25.1	36.1	40	
AAHC35CHA	091-120	208-3-60	2.4†	1.79	11.0	35	15.0	11.3	26.3	73.0	105.0	110	
			2.4	1.79	5.2	35	15.0	11.3	26.3	73.0	97.7	100	
			2.9	2.16	7.5	35	15.0	11.3	26.3	73.0	100.6	110	
		3.7	2.76	10.2	35	15.0	11.3	26.3	73.0	104.0	110		
		240-3-60	2.4†	1.79	11.0	35	20.0	15.0	35.0	84.2	119.0	125	
			2.4	1.79	5.2	35	20.0	15.0	35.0	84.2	111.7	125	
	2.9		2.16	7.5	35	20.0	15.0	35.0	84.2	114.6	125		
	AAHC35CLA		480-3-60	2.4	1.79	2.6	35	20.0	15.0	35.0	42.1	55.9	60
				2.9	2.16	3.4	35	20.0	15.0	35.0	42.1	56.9	60
				3.7	2.76	4.8	35	20.0	15.0	35.0	42.1	58.6	60
	AAHC35CSA		575-3-60	2.0	1.49	2.3	35	20.0	15.0	35.0	35.1	46.8	50
				3.0	2.24	3.8	35	20.0	15.0	35.0	35.1	48.7	50

LEGEND

FLA — Full Load Amps

Hp — Horsepower

MCA — Minimum Circuit Amps

MOCP — Maximum Overcurrent Protection (Amps)

* Values shown are for single-point connection of electric heat accessory and air handler.

† Single-phase motors. All other motors are 3-phase.

NOTES:

- Electrical resistance heaters are rated at 240 v, 480 v, or 575 v. To determine heater capacity (kW) at unit nameplate multiply the 240-v, 480-v, or 575-v capacity (kW) by the factor shown in the table below for the unit voltage.

- The following equation converts kW of heat energy to Btuh: $kW \times 3,412 = Btuh$.
- Heater contactor coils are 24 v and require 8 va holding current.
- Electric heaters are tested and ETL approved at maximum total external static pressure of 1.9 in. wg.
- MCA and MOCP values apply to both standard and alternate factory-supplied motors.
- Approximate shipping weight for heaters used in 072, 091, 120 size fan coils is 55 lb (25 kg) each.



HEATER RATING VOLTAGE	ACTUAL HEATER VOLTAGE										
	200	208	230	240	400	440	460	480	550	575	600
240	0.694	0.751	0.918	1	—	—	—	—	—	—	—
480	—	—	—	—	0.694	0.84	0.918	1	—	—	—
575	—	—	—	—	—	—	—	—	0.915	1	1.089

ELECTRICAL DATA (cont.)

HEATER PART NO.	SIZE FHS	V-PH-Hz	FAN MOTOR			ELECTRIC HEATER(S)						MCA*	MOCP*
						Nominal Capacity (kW)	Actual Capacity (kW)			FLA			
			Hp	kW	FLA		Stage 1	Stage 2	Total				
AAHC10BHA	180, 240	208-3-60	2.9	2.16	7.5	10	7.5	—	7.5	20.8	35.4	40	
			3.7	2.76	10.2	10	7.5	—	7.5	20.8	44.4	40	
			5.0	3.73	14.6	10	7.5	—	7.5	20.8	41.3	50	
			7.5	5.59	21.5	10	7.5	—	7.5	20.8	52.9	60	
		240-3-60	2.9	2.16	7.5	10	10.0	—	10.0	24.1	39.4	40	
			3.7	2.76	10.2	10	10.0	—	10.0	24.1	42.8	50	
			5.0	3.73	12.8	10	10.0	—	10.0	24.1	47.1	50	
			7.5	5.59	19.4	10	10.0	—	10.0	24.1	54.4	60	
		AAHC10BLA	480-3-60	2.9	2.16	3.4	10	10.0	—	10.0	12.0	19.3	20
				3.7	2.76	4.8	10	10.0	—	10.0	12.0	21.0	25
				5.0	3.73	6.4	10	10.0	—	10.0	12.0	23.5	25
				7.5	5.59	9.7	10	10.0	—	10.0	12.0	27.2	30
AAHC10BSA	575-3-60	3.0	2.24	3.8	10	10.0	—	10.0	10.0	17.3	20		
		5.0	3.73	5.1	10	10.0	—	10.0	10.0	19.6	20		
		7.5	5.59	7.8	10	10.0	—	10.0	10.0	22.1	25		
AAHC20BHA	208-3-60	2.9	2.16	7.5	20	14.9	—	14.9	41.5	51.2	70		
		3.7	2.76	10.2	20	14.9	—	14.9	41.5	64.6	70		
		5.0	3.73	14.6	20	14.9	—	14.9	41.5	70.2	80		
		7.5	5.59	21.5	20	14.9	—	14.9	41.5	78.7	80		
	240-3-60	2.9	2.16	7.5	20	19.9	—	19.9	47.9	69.2	70		
		3.7	2.76	10.2	20	19.9	—	19.9	47.9	72.6	80		
		5.0	3.73	12.8	20	19.9	—	19.9	47.9	76.8	80		
		7.5	5.59	19.4	20	19.9	—	19.9	47.9	84.1	80		
AAHC20BLA	480-3-60	2.9	2.16	3.4	20	20.0	—	20.0	24.1	34.3	35		
		3.7	2.76	4.8	20	20.0	—	20.0	24.1	36.1	40		
		5.0	3.73	6.4	20	20.0	—	20.0	24.1	38.6	40		
		7.5	5.59	9.7	20	20.0	—	20.0	24.1	42.3	50		

LEGEND

- FLA** — Full Load Amps
- Hp** — Horsepower
- MCA** — Minimum Circuit Amps
- MOCP** — Maximum Overcurrent Protection (Amps)

* Values shown are for single-point connection of electric heat accessory and air handler.

† Single-phase motors. All other motors are 3-phase.

NOTES:

1. Electrical resistance heaters are rated at 240 v, 480 v, or 575 v. To determine heater capacity (kW) at unit nameplate multiply the 240-v, 480-v, or 575-v capacity (kW) by the factor shown in the table below for the unit voltage.

HEATER RATING VOLTAGE	ACTUAL HEATER VOLTAGE										
	200	208	230	240	400	440	460	480	550	575	600
240	0.694	0.751	0.918	1	—	—	—	—	—	—	—
480	—	—	—	—	0.694	0.84	0.918	1	—	—	—
575	—	—	—	—	—	—	—	—	0.915	1	1.089

2. The following equation converts kW of heat energy to Btuh: kW x 3,412 = Btuh.
3. Heater contactor coils are 24 v and require 8 va holding current.
4. Electric heaters are tested and ETL approved at maximum total external static pressure of 1.9 in. wg.
5. MCA and MOCP values apply to both standard and alternate factory-supplied motors.
6. Approximate shipping weight for heaters used in 180, 240 size fan coils is 60 lb (27 kg) each.



ELECTRICAL DATA (cont.)

HEATER PART NO.	SIZE FHS	V-PH-Hz	FAN MOTOR			ELECTRIC HEATER(S)						MCA*	MOCP*
			Hp	kW	FLA	Nominal Capacity (kW)	Actual Capacity (kW)			FLA			
							Stage 1	Stage 2	Total				
AAHC20BSA	180, 240	575-3-60	3.0	2.24	3.8	20	20.0	—	20.0	20.1	29.9	30	
			5.0	3.73	5.1	20	20.0	—	20.0	20.1	31.5	35	
			7.5	5.59	7.8	20	20.0	—	20.0	20.1	34.9	35	
AAHC30BHA	208-3-60	2.9	2.16	7.5	30	15.0	7.5	22.5	62.5	87.5	90		
		3.7	2.76	10.2	30	15.0	7.5	22.5	62.5	90.9	100		
		5.0	3.73	14.6	30	15.0	7.5	22.5	62.5	96.5	100		
		7.5	5.59	21.5	30	15.0	7.5	22.5	62.5	105.0	110		
	240-3-60	2.9	2.16	7.5	30	20.0	10.0	30.0	72.2	99.6	100		
		3.7	2.76	10.2	30	20.0	10.0	30.0	72.2	103.0	110		
		5.0	3.73	12.8	30	20.0	10.0	30.0	72.2	107.2	110		
		7.5	5.59	19.4	30	20.0	10.0	30.0	72.2	114.5	125		
AAHC30BLA	480-3-60	2.9	2.16	3.4	30	20.0	10.0	30.0	36.1	49.4	50		
		3.7	2.76	4.8	30	20.0	10.0	30.0	36.1	51.1	60		
		5.0	3.73	6.4	30	20.0	10.0	30.0	36.1	53.6	60		
		7.5	5.59	9.7	30	20.0	10.0	30.0	36.1	57.2	60		
AAHC30BSA	575-3-60	3.0	2.24	3.8	30	20.0	10.0	30.0	30.1	42.4	50		
		5.0	3.73	5.1	30	20.0	10.0	30.0	30.1	44.0	50		
		7.5	5.59	7.8	30	20.0	10.0	30.0	30.1	47.4	50		
AAHC50BHA	208-3-60	3.7	2.76	10.2	50	22.6	15.0	37.6	104.3	143.1	150		
		5.0	3.73	14.6	50	22.6	15.0	37.6	104.3	148.7	150		
		7.5	5.59	21.5	50	22.6	15.0	37.6	104.3	157.2	175		
	240-3-60	3.7	2.76	10.2	50	30.0	20.0	50.0	120.3	163.1	175		
		5.0	3.73	12.8	50	30.0	20.0	50.0	120.3	167.4	175		
		7.5	5.59	19.4	50	30.0	20.0	50.0	120.3	174.6	175		
AAHC50BLA	480-3-60	3.7	2.76	4.8	50	30.0	20.0	50.0	60.1	81.2	90		
		5.0	3.73	6.4	50	30.0	20.0	50.0	60.1	83.2	90		
		7.5	5.59	9.7	50	30.0	20.0	50.0	60.1	87.3	90		
AAHC50BSA	575-3-60	3.0	2.24	3.8	50	30.0	20.0	50.0	50.2	67.5	70		
		5.0	3.73	5.1	50	30.0	20.0	50.0	50.2	69.1	70		
		7.5	5.59	7.8	50	30.0	20.0	50.0	50.2	72.5	80		

LEGEND

FLA — Full Load Amps

Hp — Horsepower

MCA — Minimum Circuit Amps

MOCP — Maximum Overcurrent Protection (Amps)

* Values shown are for single-point connection of electric heat accessory and air handler.

† Single-phase motors. All other motors are 3-phase.

NOTES:

1. Electrical resistance heaters are rated at 240 v, 480 v, or 575 v. To determine heater capacity (kW) at unit nameplate multiply the 240-v, 480-v, or 575-v capacity (kW) by the factor shown in the table below for the unit voltage.

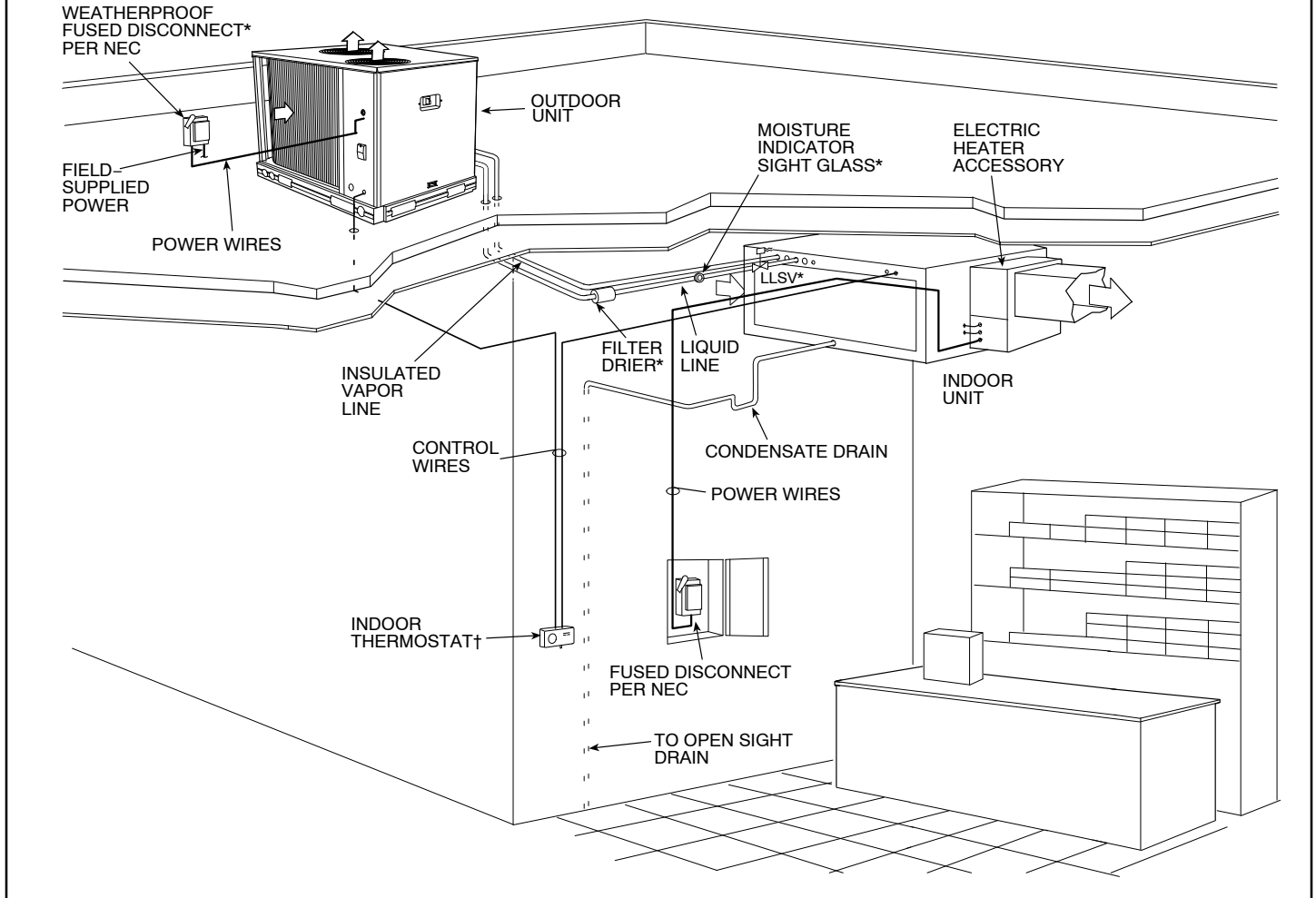
HEATER RATING VOLTAGE	ACTUAL HEATER VOLTAGE										
	200	208	230	240	400	440	460	480	550	575	600
240	0.694	0.751	0.918	1	—	—	—	—	—	—	—
480	—	—	—	—	0.694	0.84	0.918	1	—	—	—
575	—	—	—	—	—	—	—	—	0.915	1	1.089

- The following equation converts kW of heat energy to Btuh: kW x 3,412 = Btuh.
- Heater contactor coils are 24 v and require 8 va holding current.
- Electric heaters are tested and ETL approved at maximum total external static pressure of 1.9 in. wg.
- MCA and MOCP values apply to both standard and alternate factory-supplied motors.
- Approximate shipping weight for heaters used in 180, 240 size fan coils is 60 lb (27 kg) each.



TYPICAL PIPING AND WIRING

HORIZONTAL INSTALLATION - FHS (Typical)



LEGEND:

NEC - National Electrical Code

TXV - Thermostatic Expansion Valve

* Field-supplied

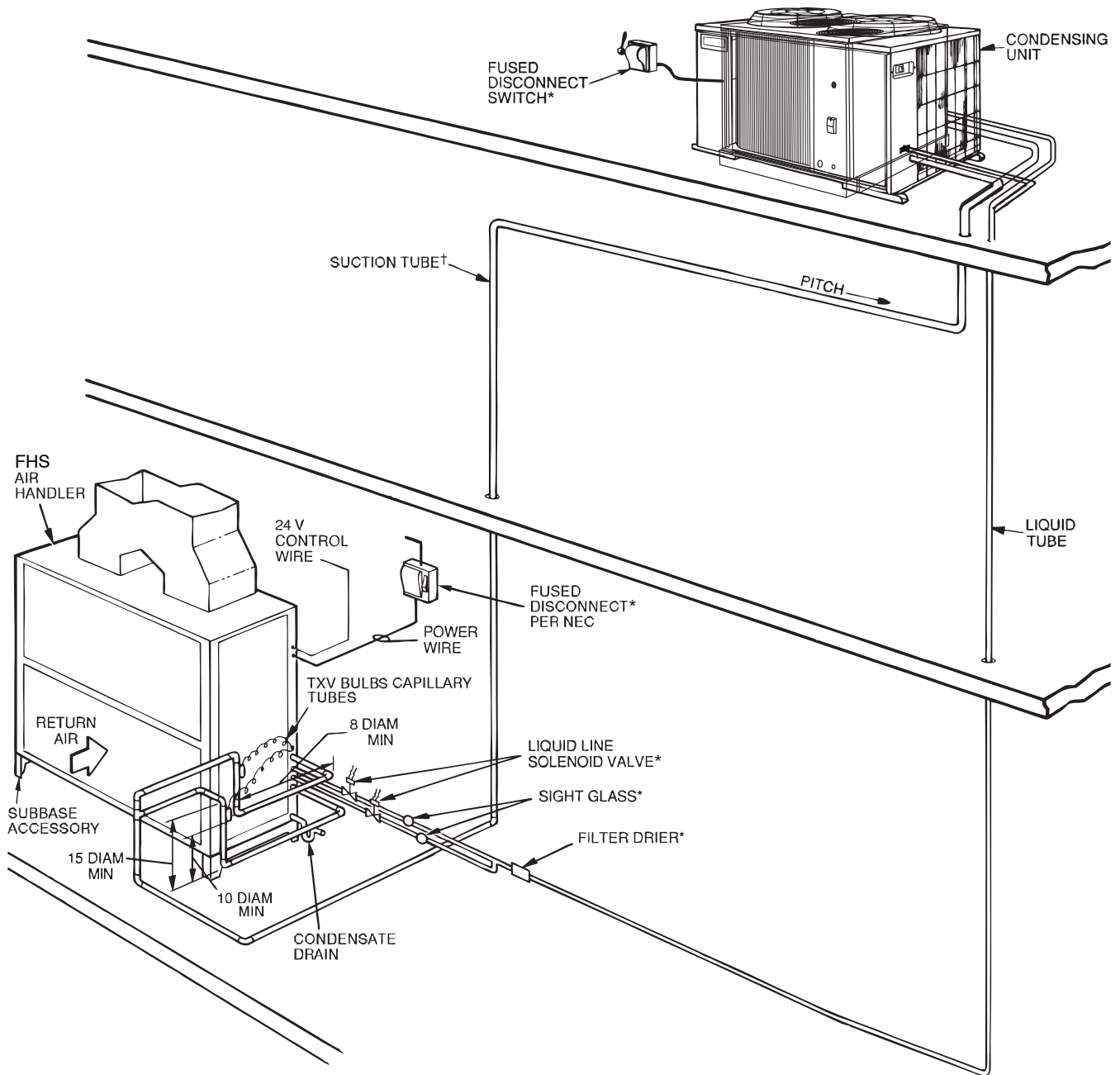
† Double riser may be required. Consult condensing unit product data catalog for details.

NOTES:

1. All piping must follow standard refrigerant piping techniques.
2. All wiring must comply with the applicable local and national codes.
3. Wiring and piping shown are general points-of-connection guides only and are not intended for, or to include all details for, a specific installation.
4. Liquid line solenoid valve (solenoid drop control) is recommended to prevent refrigerant migration to the compressor.
5. Internal factory-supplied TXVs not shown.

TYPICAL PIPING AND WIRING (cont.)

VERTICAL INSTALLATION - FHS (TYPICAL)



C09055

LEGEND:

- LLSV - Liquid Line Solenoid Valve
- NEC - National Electrical Code
- TXV - Thermostatic Expansion Valve

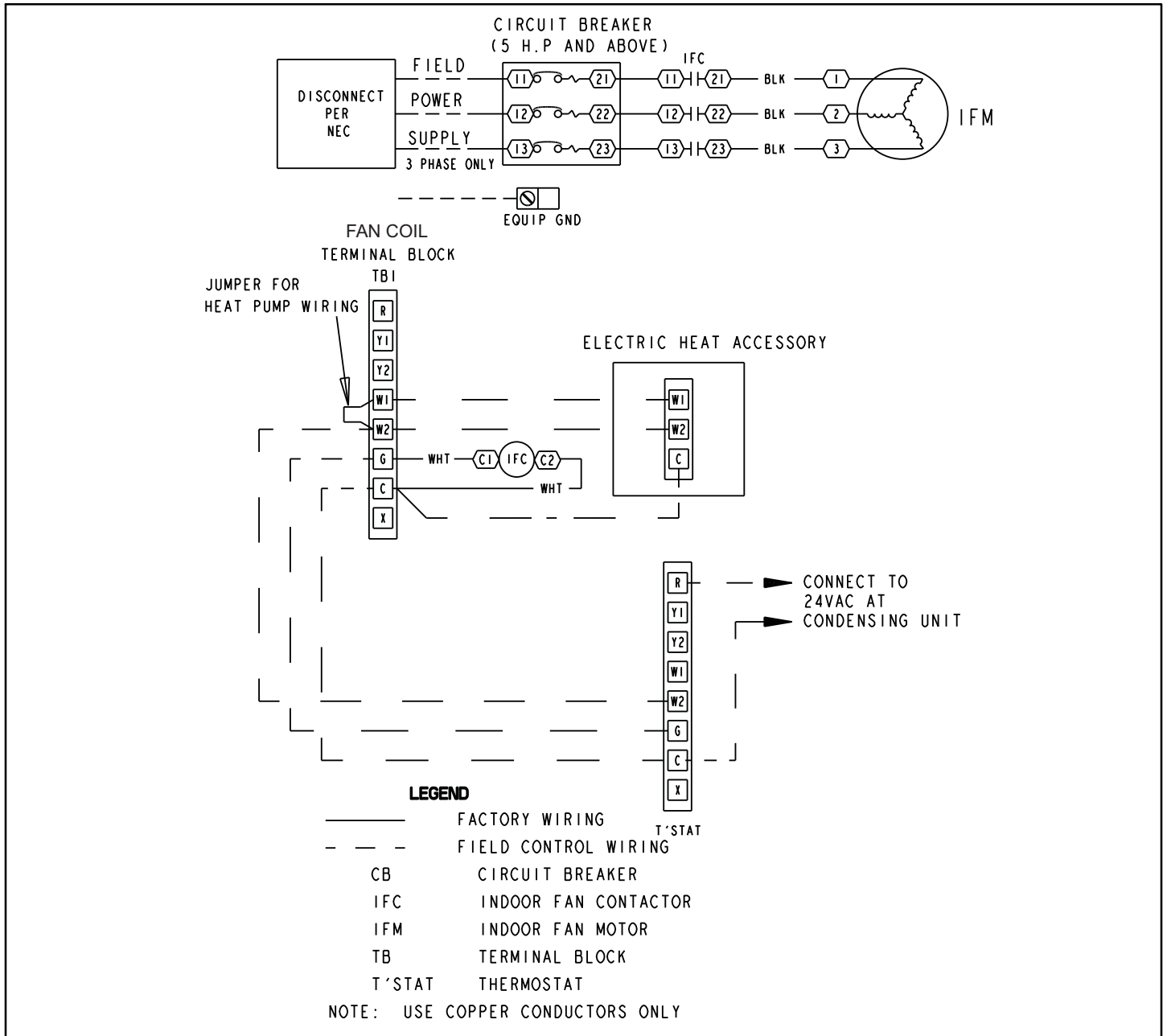
* Field-supplied

† Double riser may be required Consult condensing unit product data catalog for details.

NOTES:

1. All piping must follow standard refrigerant piping techniques.
2. All wiring must comply with the applicable local and national codes.
3. Wiring and piping shown are general points-of-connection guides only and are not intended for, or to include all details for, a specific installation.
4. Liquid line solenoid valve (solenoid drop control) is recommended to prevent refrigerant migration to the compressor.
5. Internal factory-supplied TXVs not shown.

TYPICAL CONTROL WIRING SCHEMATIC



C11030

APPLICATION DATA

Operating limits

Maximum fan speed

FHS072-240 1200 RPM(20 R/S)

General

IMPORTANT: Do not bury refrigerant piping underground.

Select equipment to match or to be slightly less than peak load. This provides better humidity control, less unit cycling, and less part-load operation. Equipment should

be selected to perform at no less than 300 cfm/ton (40 L/s per kW).

The air handler fan must always be operating when the condensing unit is operating.

Ductwork should be sized according to unit size, not building load. For larger units with two fans, a split duct transition is recommended at the fan outlets, but a plenum can be used with slight reduction in external static pressure capability.

FAN MOTOR DATA STANDARD MOTOR

UNIT FHS	072	091	120	180	240
208/230-1-60					
Speed (rpm)	1725	1725	—	—	—
Hp	1.3	2.4	—	—	—
Frame (NEMA)	56Y	56Y	—	—	—
Shaft Dia (in.)	5/8	5/8	—	—	—
208/230-3-60 and 460-3-60					
Speed (rpm)	1725	1725	1725	1725	1745
Hp	2.4	2.4	2.4	3.7	5.0
Frame (NEMA)	56Y	56Y	56Y	56Y	S184T
Shaft Dia (in.)	5/8	5/8	5/8	7/8	1 1/8
575-3-60					
Speed (rpm)	1725	1725	1725	1725	1745
Hp	1.0	2.0	2.0	3.0	5.0
Frame (NEMA)	56	56HZ	56HZ	56HZ	184T
Shaft Dia (in.)	5/8	7/8	7/8	7/8	1 1/8

LEGEND:

NEMA — National Electrical Manufacturers Association (U.S.A.)

FAN MOTOR DATA ALTERNATE MOTOR

UNIT FHS	072	091	120	180	240
208/230-1-60					
Speed (rpm)	1725	1725	—	—	—
Hp	2.4	2.4	—	—	—
Frame (NEMA)	56Y	56Y	—	—	—
Shaft Dia (in.)	5/8	5/8	—	—	—
230-3-60 and 460-3-60					
Speed (rpm)	1725	1725	1725	1725	1745
Hp	2.9	2.9	3.7	5.0	7.5
Frame (NEMA)	56Y	56Y	Y56Y	S184T	S213T
Shaft Dia (in.)	7/8	7/8	7/8	1 1/8	1 3/8
575-3-60					
Speed (rpm)	1725	1725	1725	1745	1755
Hp	2.0	3.0	3.0	5.0	7.5
Frame (NEMA)	56	56HZ	56HZ	184T	S213T
Shaft Dia (in.)	7/8	7/8	7/8	1 1/8	1 3/8

LEGEND:

NEMA — National Electrical Manufacturers Association (U.S.A.)

APPLICATION DATA (cont.)

FAN MOTOR DATA STANDARD MOTOR — U.S.

UNIT FHS	072	091	120	180	240
MOTOR DRIVE					
Motor Pulley Pitch Dia (in.)	2.4-3.4	2.8-3.8	3.4-4.4	2.8-3.8	3.7-4.7
Pulley Factory Setting Full Turns Open	2.5	2.5	2.5	2.5	3.0
FAN DRIVE					
Pulley Pitch Dia (in.)	8.8	8.8	8.8	9.0	9.4
Pulley Bore (in.)	1	1	1	1 ⁷ / ₁₆	1 ⁷ / ₁₆
Belt No. — Section	1—A	1—A	1—A	1—A	1—B
Belt Pitch (in.)	40.3	41.3	42.3	42.3	41.8
FAN SPEEDS (rpm)					
Factory Settings	568	647	764	632	771
Range	470-666	549-745	666-863	537-728	679-863
Max Allowable Speed (rpm)	1200	1200	1200	1200	1200
Change per 1/2 turn of Moveable Motor Pulley Flange	19.6	19.6	19.7	19.1	15.3
MAX FULL TURNS FROM CLOSED POSITION					
	5	5	5	5	6
SHAFTS CENTER DISTANCE (in.)					
	10.44 - 12.32	10.44 - 12.32	10.44 - 12.32	10.44 - 12.32	9.12 - 10.99

HIGH-STATIC DRIVE DATA

UNIT FHS	072	091	120	180	240
MOTOR DRIVE					
Motor Pulley Pitch Dia (in.)	3.4-4.4	3.4-4.4	3.4-4.4	4.3-5.3	4.3-5.3
Pulley Factory Setting Full Turns Open	2.5	2.5	2.5	3.0	3.0
FAN DRIVE					
Pulley Pitch Dia (in.)	7.0	6.0*	6.0	7.9	7.4
Pulley Bore (in.)	1	1	1	1 ⁷ / ₁₆	1 ⁷ / ₁₆
Belt No. — Section	1—A	1—A	1—A	1—B	2—B
Belt Pitch (in.)	41.3	37.3	37.3	39.8	36.8
FAN SPEEDS (rpm)					
Factory Setting	961	1121	1121	1060	1118
Range	838 - 1084	978 - 1200*†	978 - 1200†	950 - 1171	1014 - 1200†
Max Allowable Speed (rpm)	1200	1200	1200	1200	1200
Change per 1/2 Turn of Moveable Motor Pulley Flange	24.6	28.7	28.7	18.4	19.4
MAX FULL TURNS FROM CLOSED POSITION					
	5	5	5	6	6
SHAFTS CENTER DISTANCE (in.)					
	10.44 - 12.32	10.44 - 12.32	10.44 - 12.32	9.16 - 10.99	8.16 - 10.02

GUIDE SPECIFICATIONS, FHS072–240

Split System Heat Pump Indoor Unit (Air–Handling Unit) with R–410A Refrigerant

HVAC Guide Specifications — Section 15859

Size Range: 1,800 to 8,000 Cfm, Nominal Airflow
6 to 20 Tons, Nominal Cooling

Part 1 — General

1.01 SYSTEM DESCRIPTION

- A. Indoor, packaged air–handling unit for use in commercial heat pump split systems. Unit shall have a multi–position design and shall be capable of horizontal or vertical installation on a floor or in a ceiling, with or without ductwork. (Only vertical units are to be applied without ductwork.) Unit shall function as the indoor component of an air–to–air electric heat pump system.
- B. Unit must be designed with a R–410A refrigerant circuit with a matching air–cooled condensing unit CHS, for matched systems approved by the manufacturer.

1.02 QUALITY ASSURANCE

- A. All coils shall be designed and tested in accordance with ASHRAE 15 Safety Code for Mechanical Refrigeration, latest edition.
- B. Unit shall be constructed in accordance with ETL and ETL, Canada, standards and shall carry the ETL and ETL, Canada, labels.
- C. Unit insulation and adhesive shall comply with NFPA–90A requirements for flame spread and smoke generation. Insulation shall contain an EPA–registered immobilized antimicrobial agent to effectively resist the growth of bacteria and fungi as proven by tests in accordance with ASTM standards G21 and 22.
- D. Unit shall be manufactured in a facility registered to the ISO 9001:2000 manufacturing quality standard.
- E. Direct–expansion coils shall be leak tested at 150 psig and pressure tested at 650 psig and qualified to UL burst test at 1980 psig.

1.03 DELIVERY AND STORAGE

Units shall be stored and handled per manufacturer’s recommendations.

Part 2 — Products

2.01 EQUIPMENT

Indoor mounted, draw–thru, packaged air–handling unit that can be used with or without ductwork in a suspended horizontal configuration or free–standing vertical configuration. Unit shall be indoor component of a heat pump system. Unit shall consist of forward–curved belt–driven centrifugal fan(s), motor and drive assembly, prewired fan motor contactor, factory–installed refrigerant metering devices, bypass check valves, cooling coil, 2–in. disposable air filters, and condensate drain pans for vertical or horizontal configurations.

A. Base Unit:

1. Cabinet shall be constructed of mill–galvanized steel.
2. Cabinet panels shall be fully insulated with 1/2–in. fire–retardant material. Insulation shall contain an EPA–registered immobilized antimicrobial agent to effectively resist the growth of bacteria and fungi as proven by tests in accordance with ASTM standards G21 and 22.
3. Unit shall contain corrosion–free condensate drain pans for both vertical and horizontal applications. Drain pans shall have connections on right and left sides of unit to facilitate field connection. Drain pans shall have the ability to be sloped toward the right or left side of the unit to prevent standing water from accumulating in pans.
4. Unit shall have factory–supplied 2–in. throwaway–type filters installed upstream from the cooling coil. Filter access shall be from either the right or left side of the unit.

B. Coils:

1. Coils shall consist of 3 rows (FHS072) or 4 rows (FHS091 – 240) of copper tubes with sine–wave aluminum fins bonded to the tubes by mechanical expansion. Coil tubing shall be internally rifled to maximize heat transfer. Refrigerant line connections shall be made on the same side of the coil.
2. Coils shall feature factory–installed thermostatic expansion valves (TXVs) for refrigerant control. The TXVs shall be capable of external adjustment.
3. Coils shall have a factory–installed bypass line and check valve assembly around the TXVs to allow liquid flow from the coil to the outdoor unit during Heating mode.

C. Operating Characteristics:

1. When combined with the matching CHS condensing unit the system shall be capable of starting and running up to 125 F (52 C) and down to 35 F (2 C) ambient outdoor temperature.
 2. Unit shall operate at +/- 10% from rated voltage
- D. Motor:
1. Fan motor of the size and electrical characteristics specified on the equipment schedule shall be factory-supplied and factory-installed.
 2. Indoor-fan motor shall have permanently lubricated, sealed bearings and inherent automatic-reset thermal overload protection (motors smaller than 5 hp) or manual reset calibrated circuit breakers (motors equal or larger than 5 hp). Indoor motors are designed specifically and do not have conventional horsepower (hp) ratings listed on the motor nameplate. Motors are designed and qualified in the "air-over" location downstream of the cooling coil and carry a maximum continuous bhp rating that is the maximum application bhp rating for the motors; no "safety factors" above that rating may be applied.
 3. All indoor fan motors 5 hp and larger shall meet the minimum efficiency requirements as established by the Energy Policy Act of 1992 (EPACT), effective October 24, 1997.
 4. High efficient motors listed shall meet section 313 of the Energy Independence and Security Act of 2007 (EISA 2007).
- E. Special Features:
1. Alternate Motor and Drive:
An alternate motor and high-static drive shall be available to meet the airflow and external static pressure requirements specified on the equipment schedule.
 2. External Paint Cabinet:
Where conditions require, units shall be painted with an American Sterling Gray finish.
 3. Hot Water Coil:
Coil shall be 2-row, U-bend coil with copper tubes and aluminum plate fins bonded to the tubes by mechanical expansion. Coil shall be mounted in a galvanized steel housing that shall be fastened to the unit's fan deck for blow-thru heating operation. Coil shall have maximum working pressure of 150 psig.
 4. Steam Distributing Coil:
Coil shall consist of one row of copper tubes with aluminum plate fins, and shall have inner steam distributing tubes. Coil shall be mounted in a galvanized steel housing and shall be fastened to the unit's fan deck for blow-thru heating operation. Coil shall have maximum working pressure of 20 psig at 260 F.
 5. Electric Heaters:
Heaters for nominal 240, 480, or 575-volt, 3-phase, 60 Hz power supply shall be factory-supplied for field installation as shown on the equipment drawings. Electric heat assembly shall be ETL and ETL, Canada; agency approved, and shall have single-point power wiring. Heater assembly shall include contactors with 24-v coils, power wiring, 24-v control wiring terminal blocks, and a hinged access panel.
 6. Air Discharge Plenum:
Plenum shall be factory-supplied to provide free-blow air distribution for vertical floor-mounted units. A grille with moveable vanes for horizontal or vertical airflow adjustment shall be included. Plenum housing shall be field-installed on the unit's fan deck for blow-thru air distribution.
 7. Return Air Grille:
Grille shall be factory-supplied for field installation on the unit's return air opening.
 8. Unit Subbase:
Subbase assembly shall be factory-supplied for field installation. Subbase shall elevate floor-mounted vertical units to provide access for correct condensate drain connection.
 9. Economizer:
Economizer for ventilation or "free" cooling shall be factory-provided for field installation. For free cooling applications, economizer shall be compatible with factory-supplied thermostat; economizer dampers shall open when outdoor air enthalpy is suitable for free cooling. Economizer shall be compatible with factory-supplied CO2 sensor; economizer dampers shall open when indoor CO2 level rises above predetermined set point. Economizer shall include enthalpy control and damper actuator.
 10. Overhead Suspension Package:
Package shall include necessary brackets to support units in a horizontal ceiling installation.
 11. CO2 Sensor:
Sensor shall provide the ability to signal the economizer to open when the space CO2 level exceeds the predetermined set point. Sensor shall have the capability of being connected to Comfort System relay pack or to economizer using field-supplied and field-installed Honeywell dc adapter no. Q769C1004.
 12. Condensate Drain Trap:
Trap shall have transparent, serviceable design for easy cleaning. Kit shall also include overflow shutoff switch and wiring harness for connection to alarm if desired.