

Installation Instructions

SINGLE PACKAGE HEAT PUMPS

PHF & HPFM Series - 2 to 5 TON

Safety Labeling and Signal Words

Danger, Warning and Caution

The signal words **DANGER**, **WARNING** and **CAUTION** are used to identify levels of hazard seriousness. The signal word **DANGER** is only used on product labels to signify an immediate hazard. The signal words **WARNING** and **CAUTION** will be used on product labels and throughout this manual and other manuals that may apply to the product.

Signal Words

DANGER - Immediate hazards which **WILL** result in severe personal injury or death.

WARNING - Hazards or unsafe practices which **COULD** result in severe personal injury or death.

CAUTION - Hazards or unsafe practices which **COULD** result in minor personal injury or product or property damage.

Signal Words in Manuals

The signal word **WARNING** is used throughout this manual in the following manner:

WARNING

The signal word **CAUTION** is used throughout this manual in the following manner:

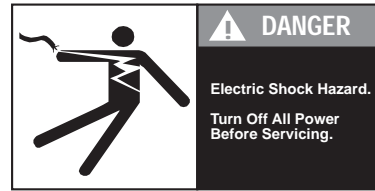
CAUTION

Product Labeling

Signal words are used in combination with colors and/or pictures on product labels. Following are examples of product labels with explanations of the colors used.

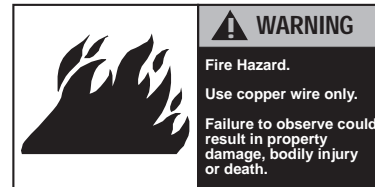
Danger Label

White lettering on a black background except the word **DANGER** which is white with a red background.



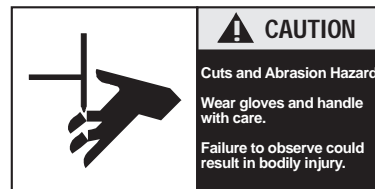
Warning Label

White lettering on a black background except the word **WARNING** which is black with an orange background.



Caution Label

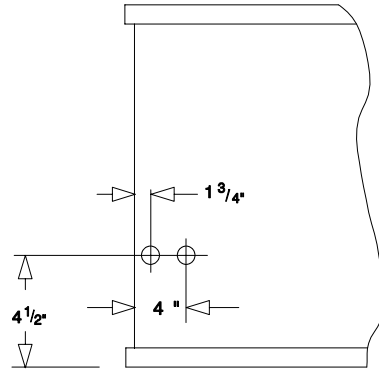
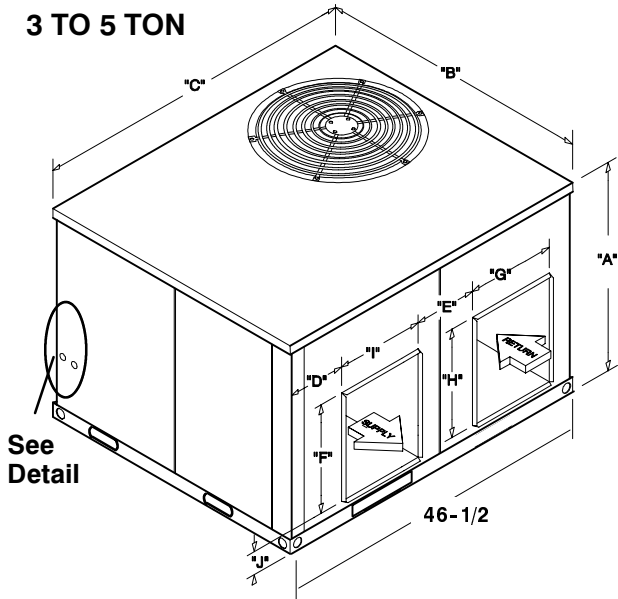
White lettering on a black background except the word **CAUTION** which is black with a yellow background.



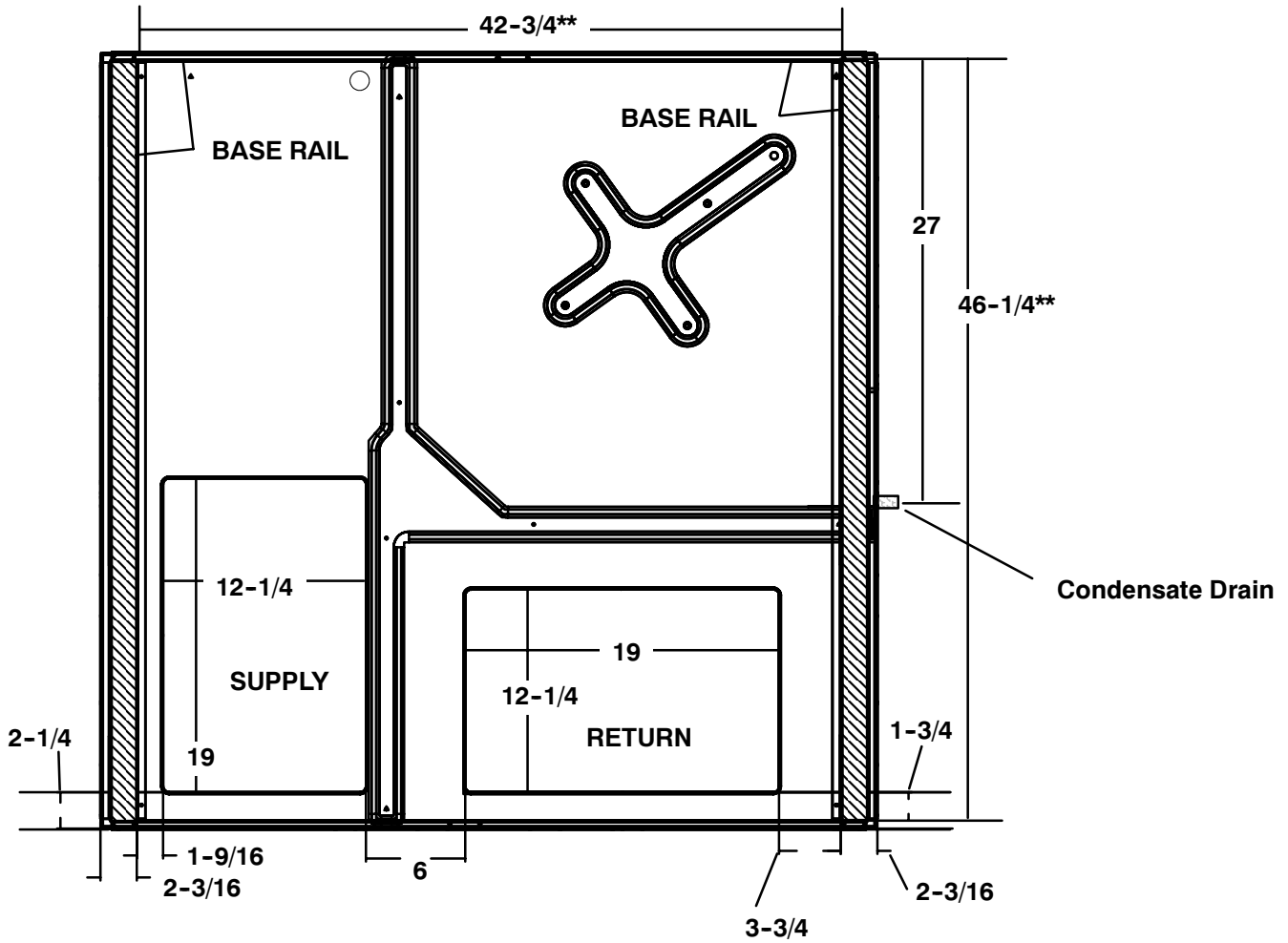
UNIT DIMENSIONS

3 TO 5 TON

All Dimensions In Inches



BASE PAN - CHASSIS



UNIT SIZE	A	B	C	D	E	F	G	H	I	J
3 Ton	29-1/2	47-1/2	47-1/2	3	9-1/2	12	14	12	14	4-1/2
4 TO 5 Ton	37-1/2	47-1/2	47-1/2	4	6-1/2	19	19	12	12	4-1/2

** Measured from inside to inside on base rails.

SAFE INSTALLATION

WARNING

Installation or repairs made by unqualified persons can result in hazards to you and others. Installation **MUST** conform with local building codes or, in the absence of local codes, with the ANSI Z223.1 and the National Electrical Code NFPA70-1990 or in Canada the National Standard CAN/CGA B149-1 and CSA C.22.1 - Canadian Electrical Code Part 1.

The information contained in this manual is intended for use by a qualified service technician familiar with safety procedures and equipped with the proper tools and test instruments.

Failure to carefully read and follow all instructions in this manual can result in furnace malfunction, property damage, personal injury and/or death.

- Seal supply and return air ducts.
- Check to see that filters are installed correctly and are the proper type and size.

NOTE: It is the personal responsibility and obligation of the customer to contact a qualified installer to ensure that the installation is adequate and conforms to governing codes and ordinances.

LOCATING THE UNIT

ACCESS PANELS

See **FIGURE 1** for a general view of unit and location of access panels.

CLEARANCES

The location **MUST** allow for minimum clearances and should not be adjacent to a patio or other area where the unit's operating sound level might be objectionable. (see **FIGURE 1**). In addition, local codes **MUST** be observed.

NOTE: Units with available filter racks, need a 26" minimum clearance at side of unit for removal of filters. See chart below if unit is going to be placed near combustible construction or materials.

While minimum clearances are acceptable for safety reasons, they may not allow adequate air circulation around the unit for proper operation in the cooling mode. Whenever possible, it is desirable to allow additional clearance, especially around the condenser inlet and discharge openings.

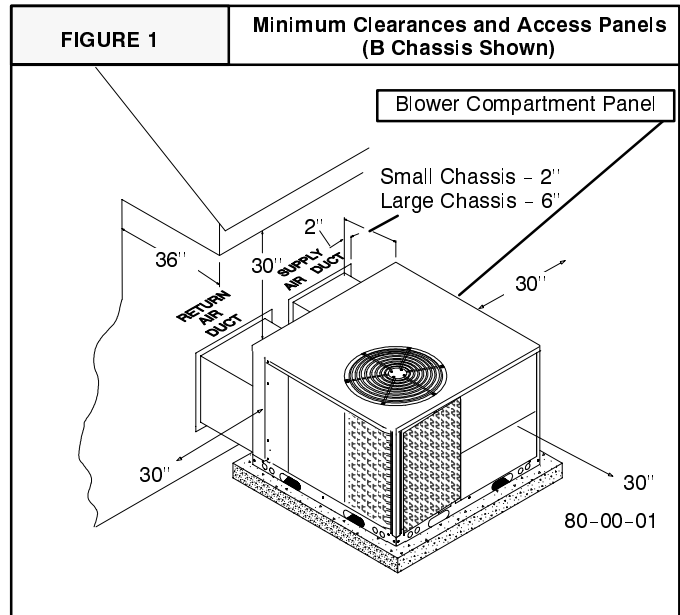
Do **NOT** install the unit in a location that will permit discharged air from the condenser to recirculate to the condenser inlet.

CAUTION

Do **NOT** operate unit in a corrosive atmosphere containing chlorine, fluorine, or any other corrosive chemicals.

Minimum Clearances to Combustible Construction

Condenser Inlet	30"
Blower Service (Side)	30"
Control Service Side	30"
Clearance between 3 Ft. Overhang and Top of Unit	30"
Combustible Base (Wood or Class A, B or C roof covering material)	0"



INSTALLATION

NOTICE

Unit will NOT operate properly unless it is installed level front to rear and side to side. The slope MUST NOT be greater than 1/8" per foot (10mm per meter). For side to side leveling, the drain side MUST always be lower.

Ground Level Installation

Ground level platform requirements:

- The unit **MUST** be situated to provide safe access for servicing.
- Platform may be made of either concrete or pressure treated wood and **MUST** be level and strong enough to support unit weight.
- Position platform separate from building foundation.
- Install in well-drained area, with top surface of platform above grade level.
- Platform must be high enough to allow for proper condensate trap installation and drainage. See **FIGURE 2** and associated text for more information about condensate drainage.

Rooftop Installation

Rooftop platform requirements:

- The unit **MUST** be situated to provide safe access for servicing.
- The existing roof structure **MUST** be adequate to support the weight of the unit or the roof **MUST** be reinforced.
Check the weight of the unit in relation to the roof structure and local building codes or ordinances and reinforce roof structure if necessary. See the last page of this manual for unit weights.
- Support for the unit **MUST** be level and strong enough to carry unit weight. The support may consist of a platform or a combination of platform and roof beams or curb.
- See *Hoisting* section for hoisting instructions.

HOISTING

NOTE: All access panels **MUST** be secured in place before hoisting.

The unit should be hoisted with two lifting slings. Attach the slings to rigging shackles that have been hooked through holes in the base rail.

Two spreader bars **MUST** be placed on top of the unit to protect the unit from damage from the pressure exerted by the slings. Make sure that all equipment is adequate to handle the weight of the unit and that the slings will not allow the unit to shift.

Refer to on the back cover of this manual for illustrated rigging instructions and weight chart.

DOWNFLOW CONVERSION

NOTE: In downflow applications with roof curbs or jack stands, the center rail under the unit must be removed. The center rail is attached to the base rail with screws.

These units are adaptable to downflow use. To convert to downflow use, follow these steps:

1. Remove the blockoff plates found in the return air compartment and the supply air compartment.

NOTE: Blockoff plate in the supply air compartment only contains one screw. If reinstalling plate, back part of plate **MUST** fit into mating dimples on flange. To reinstall, slant plate into dimples, then put plate into position and fasten with screw.

2. Install the removed plates on the horizontal return and supply air openings.
3. Install roof curb on the building. Be sure to follow all directions included with curb and all applicable building codes in your installation.

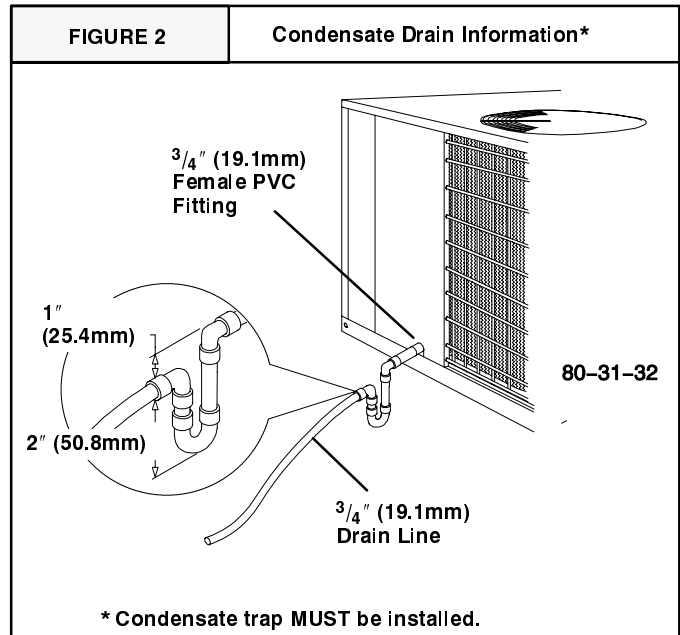
Condensate Drain

The condensate drain outlet is a $\frac{3}{4}$ " (19.1mm) female PVC connection located at the bottom on the left hand side (see **FIGURE 2**).

The circulating blower creates a negative pressure on the condensate drain line that can prevent the condensate from draining properly. To combat this negative pressure, a field supplied condensate trap that will allow a standing column of water of at least 2" (50.8mm) **MUST** be installed. Top of

outlet from trap **MUST** be at least 1" (25.4mm) below top of outlet from unit. **Install the trap as near to the unit as possible for proper drainage.**

A $\frac{3}{4}$ " (19.1mm) drain line **MUST** be installed if required by local codes or if location of unit requires it. Run the drain line to an open drain or other suitable disposal point.



Electrical Wiring

WARNING

Electrical shock hazard.

Disconnect power at fuse box or service panel before making any electrical connections.

Unit MUST be grounded to electrical service panel.

Failure to follow this warning can result in property damage, personal injury, and/or death.

NOTE: All electrical work **MUST** conform with the requirements of local codes and ordinances and in the United States with National Electrical Code ANSI/NFPA 70-1990 (or current edition) and in Canada with CSA C22.1 - Canadian Electrical Code Part 1 (or current edition). Provide line voltage power supply from a separate fused circuit with a disconnect switch (when required) located within sight of the unit. Supply voltage, amperage, wire, fuse and disconnect switch sizes **MUST** conform with specifications in the *Parts List* and on the unit rating plate.

Wiring **MUST** be protected from possible mechanical damage and **MUST NOT** interfere with removal of access panels, filters, etc.

All exposed wiring and connections **MUST** be made with weatherproof cable or wire unless installed in conduit.

Low Voltage Wiring

Low voltage connections are made on the electronic control board inside the electrical control compartment (see **FIGURE 5**). For access, remove the electrical control access panel).

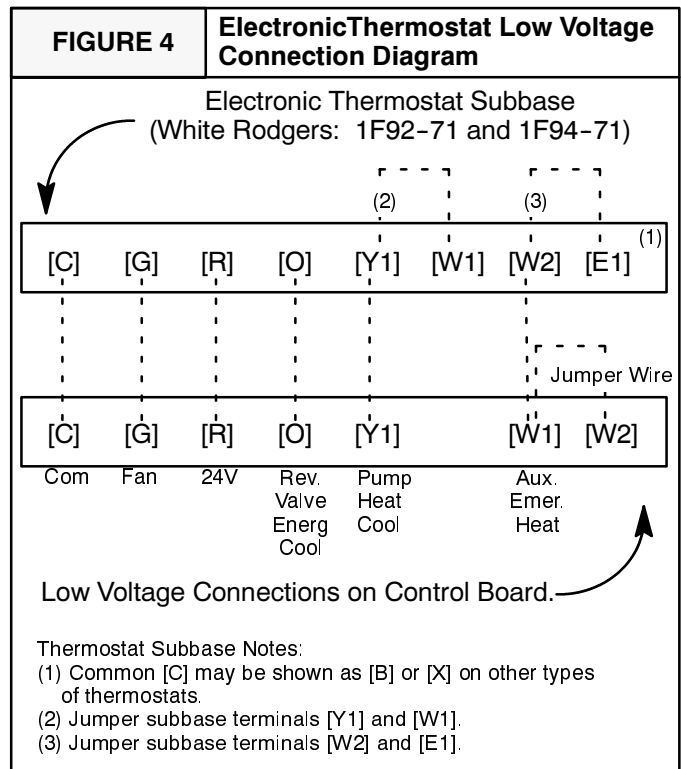
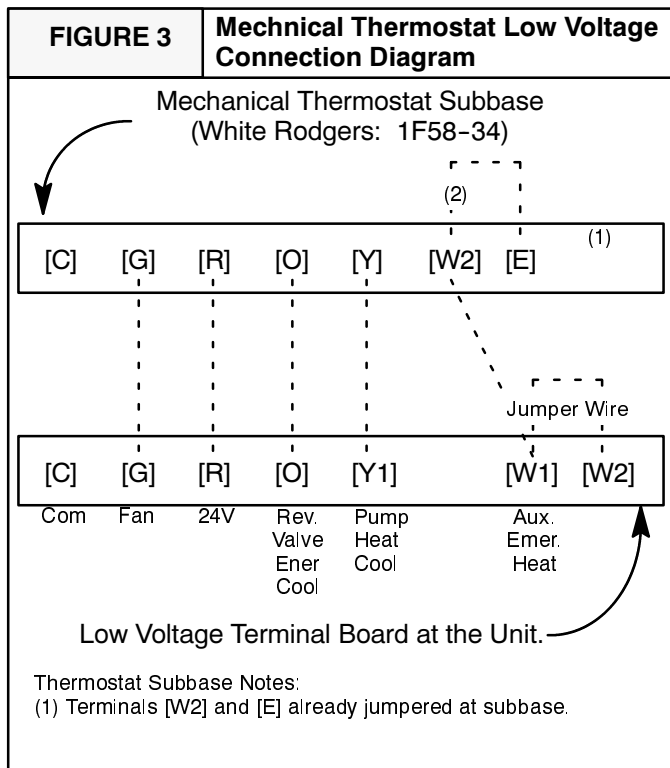
Refer to the Parts List for the connection wiring diagram for the applicable model and to the instructions included with the thermostat.

Route low voltage wires through the port located at the bottom left corner of the blower access panel side of the unit. Route low voltage wires behind unit cornerpost, through the wire clip provided, and up to the low voltage terminal board.

NOTE: If an Electric Heat Accessory is installed, see the Electric Heat Accessory *Installation Manual* for low voltage connections.

Thermostat

The location of the thermostat has an important effect on the operation of the unit. **FIGURE 3** and **FIGURE 4** show typical wiring connections for both manual and electronic thermostats. **FOLLOW THE INSTRUCTIONS INCLUDED WITH THE THERMOSTAT FOR CORRECT LOCATION, MOUNTING AND WIRING .**



Ground Connections

A ground lug is installed on the control plate for the ground connection (see **FIGURE 5**). Use a copper conductor of the appropriate size from the unit to a grounded connection in the electrical service panel or to a properly driven and electrically grounded ground rod. See warning above.

Line Voltage Wiring

Do NOT complete line voltage connections until unit is permanently grounded. All line voltage connections and the ground connection **MUST** be made with copper wire.

Connections for line voltage are made on the unit electrical control plate (see **FIGURE 5**). For access, remove the electrical access panel .

Refer to applicable wiring diagram in the *Parts List*. Complete the line service connections to the contactor 'L' terminals on the electrical control plate. Check all screw terminals to ensure they are tight.

NOTE: If an Electric Heat Accessory is installed, refer to the Electric Heat Accessory *Installation Manual* to determine line voltage connections. The Electric Heat Accessory mounts inside the unit. Field supplied line voltage wires for the Electric Heat Accessory (separate from the field supplied line voltage wires to the unit) connect to the circuit breaker(s) in the Electric Heat Accessory.

Converting 230V Units to 208V

To convert 230V units to 208V:

1. Turn electric power **OFF**.
2. Remove the electrical access panel.
3. Locate the 24V control transformer.
4. Remove wires from the terminal labeled "240V" on the 24V control transformer and reconnect them to the 208V terminal of the 24V control transformer.
5. Replace the electrical access panel.

Field Installed Equipment

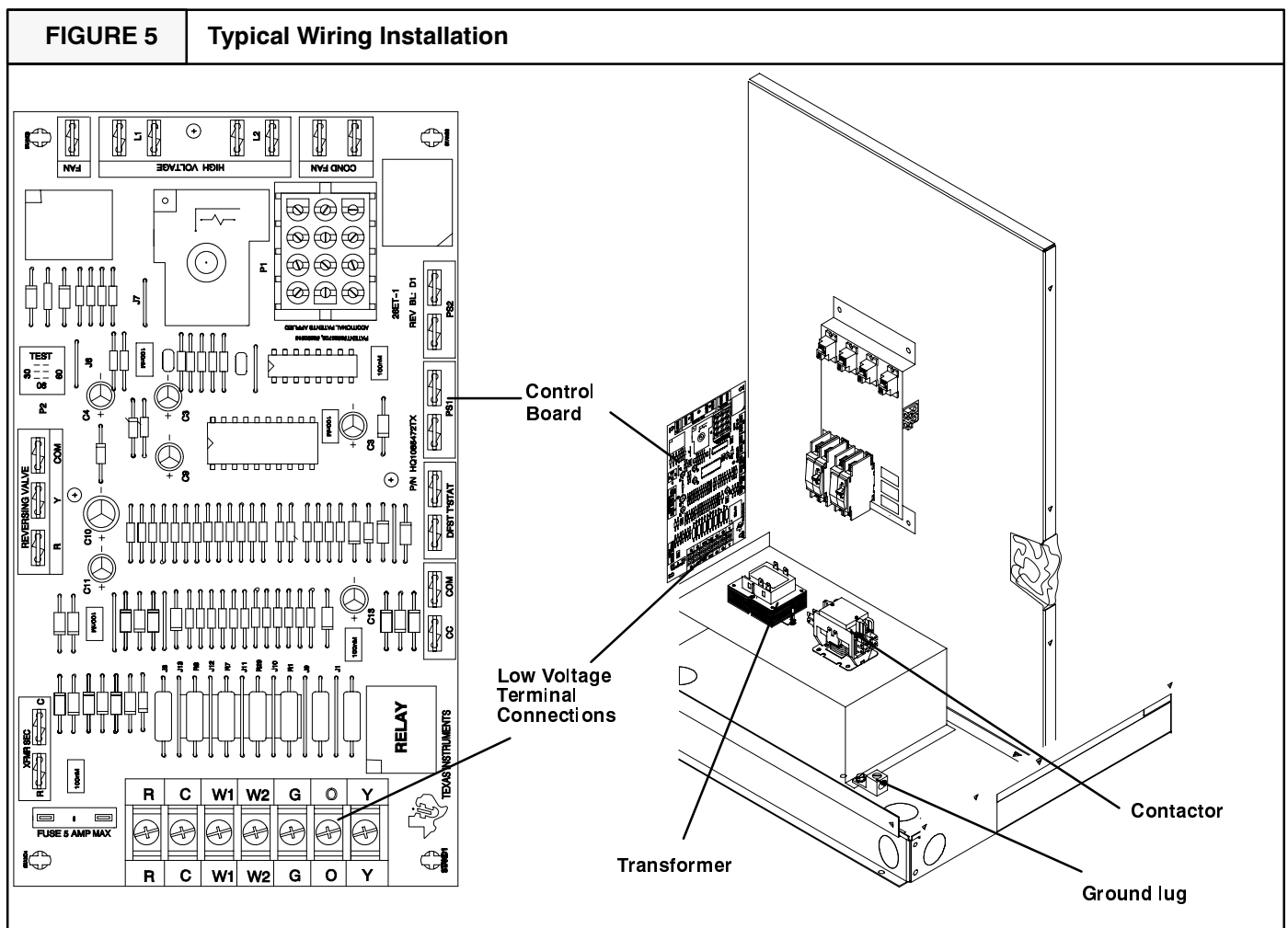
Wiring to be done in the field between the unit and other devices, or between separate devices which are field installed

and located, **MUST NOT** exceed the temperature limitations for type T wire and **MUST** be installed according to the manufacturer's instructions for the devices.

Final Electrical Check

Make a final wiring check to be sure system is correctly wired. Inspect field installed wiring and the routing to ensure that rubbing or chafing due to vibration will not occur.

NOTE: Wiring **MUST** be installed so it is protected from possible mechanical damage.



Air Distribution System

For airflow data (blower performance data, blower speed tap settings, etc.) see the *Parts List*.

Ductwork

NOTE: The total heat gain/heat loss from the structure as expressed in total Btu/hr **MUST** be calculated by manufacturer's method or in accordance with "A.S.H.R.A.E. Guide" or "Manual J - Load Calculations" published by the Air Conditioning Contractors of America or in Canada "H.R.A.I. Residential Heating and Cooling Load Calculation Manual." **The total heat gain calculated should be equal to or less than the cooling capacity output** based on D.O.E. test procedures, steady state efficiency times input.

Ductwork, supply registers, and return air grilles **MUST** be designed and sized to handle the **unit's cooling air volume** requirements. If the unit is connected to an existing system, the ductwork **MUST** be checked to make sure it is adequate. Extra runs or larger duct sizes may have to be installed.

Maximum recommended velocity in trunk ducts is 1000 feet per minute (5.08m/s). Velocity in branches should not exceed 800 feet per minute (4.06m/s). Refer to the *Parts List* for unit air volume requirements and system sizing recommendations.

NOTE: Ductwork sizing affects temperature rise and cooling temperature differential. Be sure to properly size ductwork to the capacity and airflow characteristics of your unit. Failure to do so can affect limit controls, compressors, motors, and other components and will lead to premature failure of components. This will also adversely affect day to day unit performance.

Refer to unit rating plate for proper Electric Heat Accessory sizing and see the *Temperature Rise Check* section in the Electric Heat Accessory *Installation Instructions*.

Ductwork Insulation

It is recommended that ductwork installed outdoors have a minimum of 2" (51mm) of fiberglass insulation and be covered by a weatherproof vapor barrier that is protected against damage. Caulking and flashings, or other means adequate to provide a permanent weather seal, must be used.

It is recommended that ductwork installed in attics or other areas exposed to outdoor temperatures have a minimum of 2" (51mm) fiberglass insulation and have an indoor type vapor barrier.

Ductwork Connections

The use of flexible, **non-combustible** connectors between main trunk ducts and supply and return air plenums is recommended to minimize vibration transmission .

NOTE: Connect supply and return air plenums to unit in a manner that will allow the top of the unit to be removed without removing plenums. Plenums **MUST** be individually sealed to unit casing. Ducts **MUST** be terminated inside structure.

Filters

All return air **MUST** pass through a filter before entering the unit. An electronic air cleaner, optional filter racks or other accessible filter arrangements **MUST** be installed in the *return* air ductwork. Minimum recommended filter areas are based on a velocity of 300 ft/min (1.2m/s) for disposable filters and 500 ft/min (2.54m/s) for washable high velocity filters.

CAUTION

Do NOT operate the unit without all filters in place.

Start-up Procedures

WARNING

Electrical shock hazard.

Use extreme care during all of the following checks and procedures.

Make sure electric power is turned OFF as instructed in appropriate steps.

Failure to follow this warning can result in property damage, personal injury, and/or death.

Circulating Air Blower

Determining Blower Speed

1. Turn electric power **OFF**.
2. From the system design, determine the external static pressure (ESP) for the supply ducts, return ducts and registers, diffusers, grilles, dampers, heaters and filters.
3. To your system ESP determined in **Step 2**, add 0.05 In. W.C. for a wet coil.
4. From the system design, determine the desired cooling airflow in cubic feet per minute (CFM).
5. Locate the unit's Blower Performance Data table in the tech data sheet for the unit's voltage. (The tech data sheet is attached to the inside of the electrical access panel and is also published in the *Parts List*.) From the table, determine the speed tap the desired airflow requires.
6. See next section, *Speed Taps*, to set the blower motor speed terminal block (speed taps) determined in the following steps.

Speed Taps

After determining the required CFM and speed tap data from the tech data sheet, follow the steps below to change speeds if necessary.

NOTE: The yellow lead **MUST** always be connected to the speed tap block at the common quick connect terminal. The terminal is identified as **COM**. Also, this is the only lead which is $\frac{3}{16}$ " wide. All other quick connects are $\frac{1}{4}$ " wide.

Refer to the unit's wiring diagram, which is attached to the inside of the electrical access panel and is also published in the *Parts List* for the desired speed tap to achieve the required CFM for the applicable model.

Cooling, Heating (Heat Pump) and Auxiliary Electric Strip Heat

NOTE: The cooling, heat pump and strip heat airflows are all on the same speed tap. The refrigerant system requires the same specific CFM for proper operation in the cooling and the heat pump mode. For this reason, cooling and heating airflow must be the same. **DO NOT SPLIT OUT INTO A COOLING SPEED AND HEATING SPEED.**

Check Before Starting

1. Check that the blower motor speed terminal block is set to the proper speed. Refer to the unit wiring diagram and the Technical Labels in the *Parts List*.
2. Check to see that clean, properly sized field supplied air filters are installed in the return air duct.
3. Inspect the inside of the unit to be sure that all wires are in place and all tools, etc. are removed.
4. Replace all service access panels.

Check the unit's operation as outlined in the following instructions. If any unusual sparking, odors or noises are encountered, shut **OFF** electric power immediately. Re-check for wiring errors, or obstructions in or near blower motors.

Sequence of Operation

Cooling Mode: Energized (R,G,O,Y1) De-energized (N/A)

(a) When high and low voltage is initially applied to unit:

(1) On a call for cooling.....:

The compressor and condenser fan will have a delay on and will energize after 5 minutes. The evaporator blower motor will energize immediately. The delay on for the compressor and the condenser fan can be bypassed by jumpering the test pins on the defrost board control.

(2) When the cooling setpoint has been satisfied.....:

The compressor and condenser fan will de-energize immediately. The evaporator blower motor will have a delay off and will de-energize after 30 seconds.

(b) When high and low voltage has been applied to unit for more than 5 minutes:

(1) On a call for cooling.....:

The compressor and condenser fan will energize immediately. The evaporator blower motor energize immediately.

- (2) **When the cooling setpoint has been satisfied.....:**
The compressor and condenser fan will de-energize immediately. The evaporator blower motor will have a delay off and will de-energize after 30 seconds.

**Heating Mode: Energized (R,G,Y1)
De-energized (O)**

(a) When high and low voltage is initially applied to unit:

- (1) **On a call for heating.....:**
The compressor and condenser fan will have a delay on and will energize after 5 minutes. The evaporator blower motor will have a delay on and will energize after 30 seconds. The delay on for the compressor and the condenser fan can be by-passed by jumpering the test pins on the defrost board control.
- (2) **When the heating setpoint has been satisfied.....:**
The compressor and condenser fan will de-energize immediately. The evaporator blower motor will have a delay off and will de-energize after 30 seconds.

(b) When high and low voltage has been applied to unit for more than 5 minutes

- (1) **On a call for heating.....:**
The compressor and condenser fan will energize immediately. The evaporator blower motor will have a delay on and will energize after 30 seconds.

- (2) **When the heating setpoint has been satisfied.....:**
The compressor and condenser fan will de-energize immediately. The evaporator blower motor will have a delay off and will de-energize after 30 seconds.

**Defrost Mode:Energized (R,G,Y1) De-energized (O)
Defrost Sensor Closed**

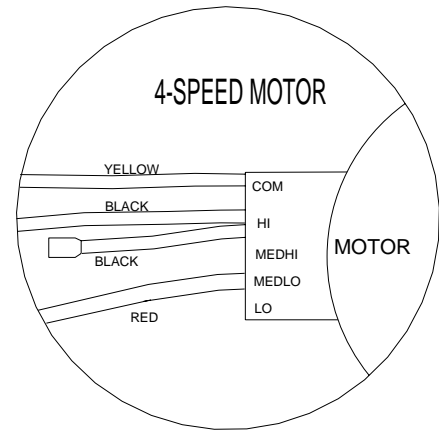
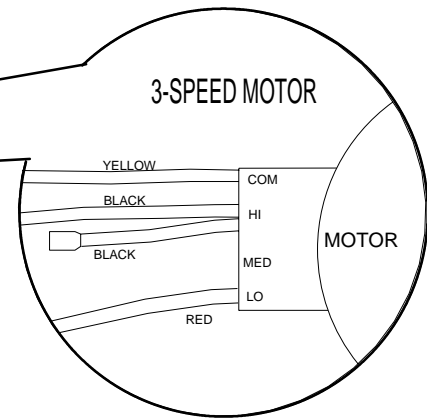
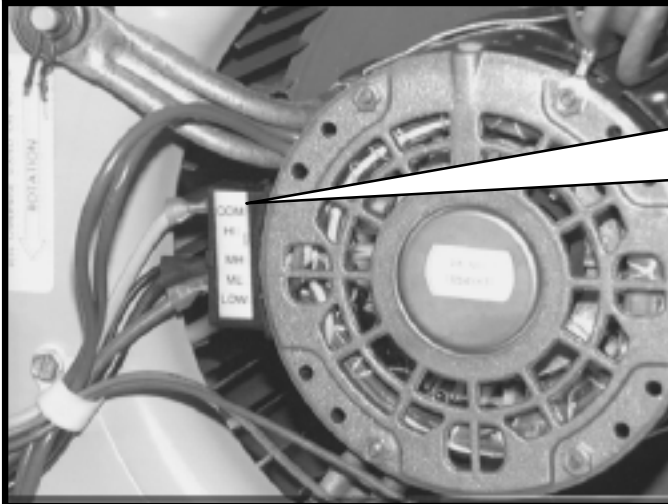
- (1) **On a call for defrost.....**
When the defrost sensor closes (this can be simulated by placing a jumper across the DFST and T'STAT terminals on the control board) in the heating mode, there is a 30,60 or 90 minute defrost on delay before the defrost mode begins. This delay is determined by the jumper selection on the control board. **See Figure 7.**
- (2) **When defrost has been completed.....**
This condition will be maintained until the defrost sensor opens or for a maximum of 10 minutes, whichever comes first.

The TEST selection will speed up the defrost/heating cycle for diagnostic purposes. When the jumper is in the TEST position and Y is energized, the unit will cycle from heating (10 seconds) to defrost (2 seconds) to heating (10 seconds) to defrost (2 seconds) for a maximum of 8 times. If the jumper is left in the TEST position, the control will ignore the call for TEST and default to a 90 minute defrost cycle. If the jumper is not installed, the control will default to a 90 minute defrost cycle.

NOTE: A jumper across the DFST and T'STAT terminals is not necessary in order to check out the defrost control.

FIGURE 6

Blower Motor Speed Taps (3-Speed and 4-Speed Motors)



BE SURE TO CHECK BLOWER MOTOR SPEED DATA IN UNITS TECHNICAL INFORMATION LABEL ON THE UNIT

Operation

WARNING

Electrical shock hazard.

Turn OFF electric power supply at disconnect switch or service panel before removing any access or service panel from unit.

Failure to follow this warning can result in property damage, personal injury, and/or death.

Features

Scroll Anti-Cycle Timer

All single phase heat pumps with scroll compressors are equipped with a defrost control board which features an internal anti-short cycle timer that delays the start of the compressor in the event of a power interruption. This feature is to allow pressure equalization throughout the system

and prevent possible reverse rotation of the scroll compressor.

Loss of Charge Pressure Switch

A low pressure switch on the liquid line (high side) has been installed to prevent system damage due to a loss of charge. The switch will open and de-energize the contactor if the high side pressure drops below the set point of the switch.

Defrost Control Time Interval Adjustment

WARNING

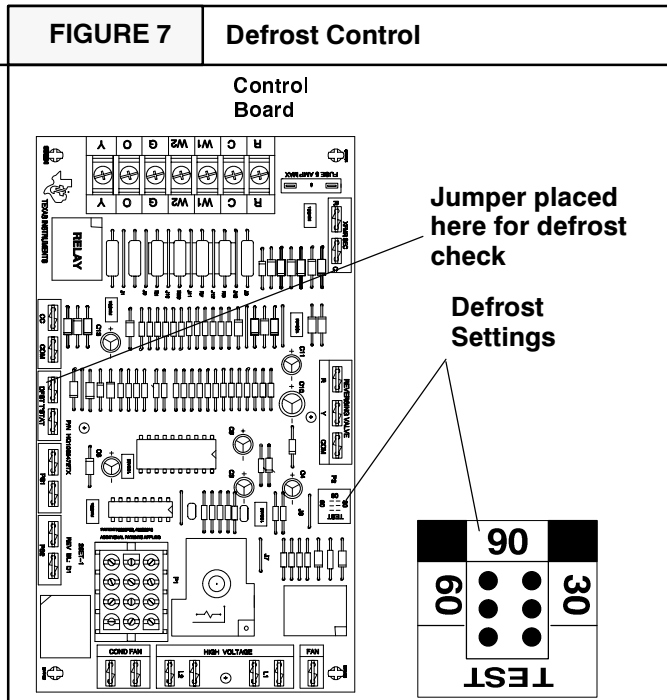
Electrical shock hazard.

Turn OFF electric power supply at disconnect switch or service panel before removing any access or service panel from unit.

Failure to follow this warning can result in property damage, personal injury, and/or death.

To adjust defrost interval:

1. Turn off all power to Heat Pump.
2. Remove control box cover.
3. Locate electronic control board.
4. The Control Board has a jumper that allows you to change the defrost time interval. (See Figure Below) Change the desired time by removing the jumper and placing the jumper on 30, 60, or 90.
30 = 30 minutes, 60 = 60minutes, 90 = 90 minutes.



Cooling

Adjust thermostat setting to desired temperature and set thermostat Heat-Cool switch to **COOL**. The unit will come on and operate automatically under control of the thermostat. Close all doors and windows. The unit may run continuously for several hours or longer on the initial run because of residual heat and moisture in the house. This is normal for any air conditioning system.

CAUTION

Do NOT operate unit on cooling when the outdoor temperature is below 40°F (4.4°C). This is necessary to prevent possible damage to the compressor.

Turning The Unit Off

1. Set the thermostat selector switch to **OFF** and set the fan switch to **AUTO**. To restart, set thermostat selector switch to **COOL** and set thermostat to temperature desired.
2. To shut the unit down completely, turn electric power **OFF**.

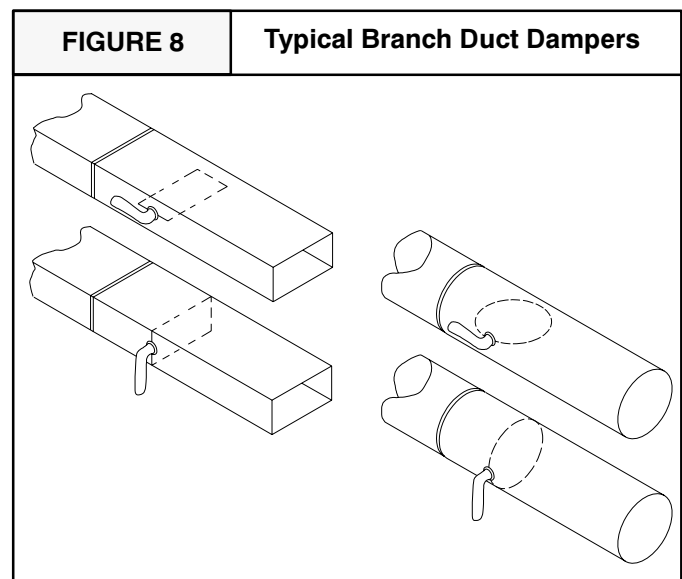
Thermostat Fan Switch Operation

With the thermostat fan switch in the **ON** position, the circulating air blower will run continuously.

With the thermostat fan switch in the **AUTO** position, the circulating air blower will only run during a cooling or heating cycle and when the electric heat accessory is required if the electric heat accessory is installed.

Adjusting Room Temperatures

If the temperature in individual rooms is not as desired, balance the system by adjusting the dampers in the branch ducts. Adjust a little at a time and wait a day after each change to judge the effect. Once the dampers are adjusted for normal weather conditions, it is best to leave them that way. Compensate for temporary weather changes by adjusting the thermostat setting .



Maintenance

Air Filters, Condenser Coil and Condensate Drain Maintenance

Refer to Home Owners Manual supplied with your heat pump for information on filter sizes, condenser coil clearances from shrubbery and condensate drainage allowances.

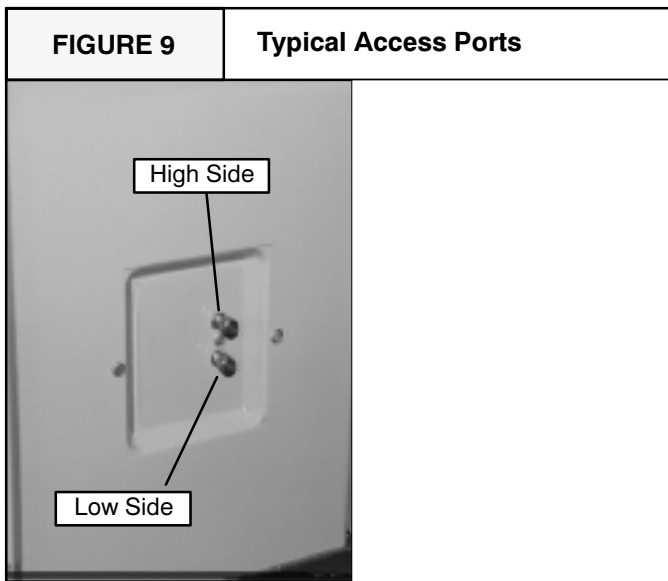
CAUTION

Do NOT operate unit without filters in place. Inspect filters monthly and clean and/or replace as needed.

Refrigeration Access Ports

This unit is equipped with refrigeration access ports mounted on the side of the unit. Refer to **FIGURE 9** for identification of ports.

This unit is also equipped with internal access ports on the suction and discharge tubing line which can be used for evacuation, pull down and recharging of the refrigeration system.



Annual Maintenance and Inspection

Condenser Fan Motor

CAUTION

Do NOT use 3 in 1 oil, penetrating oil, WD40 or similar oils to oil motor bearings.

Oil the condenser fan motor after five years of operation and every five years thereafter.

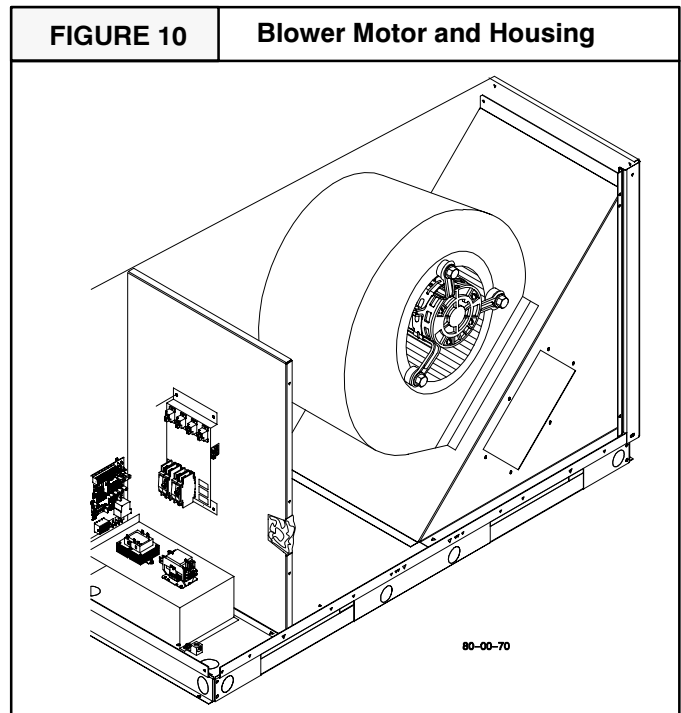
Use SAE 10W30 motor oil. To oil, remove the hole plugs from the motor end bells and add several drops (approximately 1/2 teaspoonful) of oil with a squeeze type, flexible tube oiler. Replace hole plugs after oiling. **Do NOT over oil.**

Clean the surrounding area and the condenser and evaporator coils. Use caution to avoid damage to coil fins. **Do not use an acid-based cleaner on coated fin material.**

Blower Motor Access

To remove the blower motor and/or the blower motor housing assembly, remove the blower access panel.

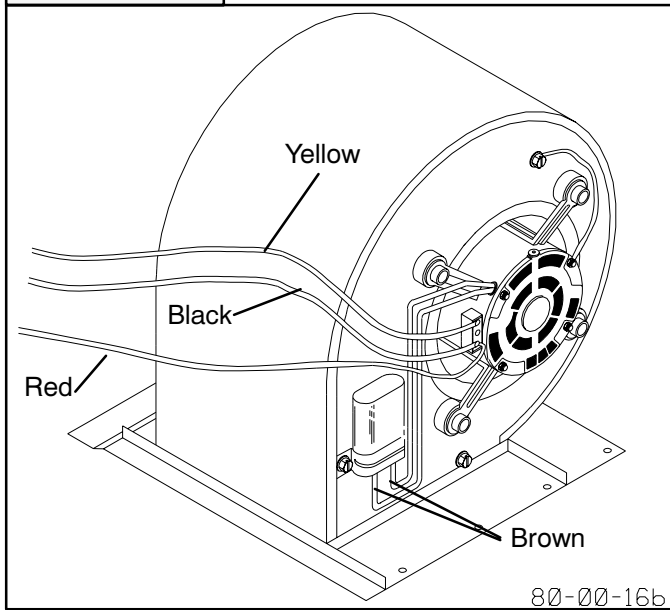
Refer to **FIGURE 10** for a view of blower motor and compartment.



Blower Wire Color Identification

Use **FIGURE 11** to identify wires on blower motor.

To change speed tap settings, see *Speed Taps* in the *Start-up Procedures* section of this manual.

FIGURE 11**Wire Colors**

Circulating Air Blower

Visually inspect the blower wheel for accumulations of dirt or lint. Clean the compartment and the blower wheel. If accumulation is excessive on blower wheel, or does not easily remove, it will be necessary to remove the blower assembly.

CAUTION

Do NOT use 3 in 1 oil, penetrating oil, WD40 or similar oils to oil motor bearings.

Oil the blower motor by adding $\frac{1}{2}$ teaspoonful (1 cc) of SAE 10W30 to each motor bearing. The blower motor should be oiled after five years of operation and every five years thereafter.