

## Installation Instructions

### TABLE OF CONTENTS

PACKAGE CONTENTS ..... 1  
 SAFETY CONSIDERATIONS ..... 1  
 INSTALLATION ..... 2-2  
     3 to 12-1/2 Ton Units with R-410A Refrigerant ..... 2  
     3 to 12-1/2 Ton Units with R-22 Refrigerant  
     Produced Before April 3, 1995 ..... 4  
     3 to 12-1/2 Ton Units with R-22 Refrigerant  
     Produced After April 3, 1995 ..... 2

**IMPORTANT:** Read these instructions completely before attempting to install this accessory.

### PACKAGE CONTENTS

QTY	CONTENTS
1	Flue Stack
2	Mounting Brackets
1	10 - 16 x 1 in. Self-Tapping Screw
1	Adapter Plate (Part no. 50HJ502222)
1	Adapter Plate (Part no. 50HJ502223)

### MODEL USAGE

ACCESSORY PART NUMBER	USAGE
<b>CRFLUEDS001A00</b>	48TC*04-14
	48HC*04-12
	48LC*04-07
	580J*04-14
	581J*04-12
	RGS036-150
	RGH036-120

**NOTE:** This accessory can only be installed on units produced after January 1992.


**NOTE:** This accessory is not suitable for use on 48PG units. See accessory CRFLUEDS005A00 for 48PG units.

### SAFETY CONSIDERATIONS


Installation and servicing of air-conditioning equipment can be hazardous due to system pressure and electrical components. Only trained and qualified service personnel should install, repair, or service air-conditioning equipment.

Untrained personnel can perform the basic maintenance functions. All other operations should be performed by trained service personnel. When working on air-conditioning equipment, observe precautions in the literature, tags and labels attached to the unit, and other safety precautions that may apply.

Follow all safety codes. Wear safety glasses and work gloves.

Recognize safety information. This is the safety-alert symbol . When you see this symbol on the unit and in instructions or manuals, be alert to the potential for personal injury.


Understand the signal words DANGER, WARNING, and CAUTION. These words are used with the safety-alert symbol. DANGER identifies the most serious hazards which **will** result in severe personal injury or death. WARNING signifies a hazard which **could** result in personal injury or death. CAUTION is used to identify unsafe practices which **may** result in minor personal injury or product and property damage. NOTE is used to highlight suggestions which **will** result in enhanced installation, reliability, or operation.

 **WARNING**

**ELECTRICAL SHOCK HAZARD**

Failure to follow this warning could result in personal injury and/or death.

Before beginning any modification, be certain that the main-line electrical disconnect switch is in the OFF position. Close the main gas supply shutoff valve. Tag disconnect switch and gas valve with suitable warning labels.

 **CAUTION**

**CUT HAZARD**

Failure to follow this caution may result in personal injury. Sheet metal parts may have sharp edges or burrs. Use care and wear appropriate protective clothing, safety glasses and gloves when handling parts and servicing furnaces.

# INSTALLATION

## 3 to 12-1/2 Ton Units with R-410A Refrigerant

1. Remove first screw from bottom of center post on unit. Save screw for later use.
2. Small Chassis Units (length 74-3/8 in. 1888 mm)  
Install adapter plate (part no. 50HJ502223 - see Fig. 1) by sliding it over the existing flue duct. Secure the adapter plate using the screw removed by Step 1. Screw should be installed through hole in adapter plate.

### All Other Units

Install adapter plate (part no. 50HJ502222 - see Fig. 1) by sliding it over the existing flue duct. Secure the adapter plate using the screw removed in Step 1. Screw should be installed through hole in adapter plate.

**NOTE:** Part no. 50HJ502222 has larger diameter “A” holes than part no. 50HJ502223.

3. Attach mounting brackets to flue stack. (See Fig. 3.)  
Bracket A - Position as shown in Fig. 3. Remove fourth screw from top of flue stack and save. Fasten the bracket to the flue stack with screw that was just removed. The slotted portion of the bracket should be pointed away from the installer.  
Bracket B - Position as shown in Fig. 3. Remove top screw from the flue stack and save. Fasten the bracket to the flue stack with screw that was just removed. The slotted portion of the bracket should be pointed away from the installer.
4. Remove the two screws in the center post that are attached to the top cover. Remove the second screw from the bottom on the center post. Save all screws. (See Fig. 2.)
5. Mount the flue discharge deflector to unit by fastening the horizontal leg of the flue stack to the adapter plate using the three 3/8 in. screws supplied. Line up the slots in brackets A and B with the holes from the screws removed in Step 4. Reinstall screws from Step 4.

## 3 to 12-1/2 Ton Units with R-22 Refrigerant Produced After April 3, 1995

1. Remove first screw from bottom of center post on unit. Save screw for later use.
2. 3 to 6 Ton Units  
Install adapter plate (part no. 50HJ502223 - see Fig. 1) by sliding it over the existing flue duct. Secure the adapter plate using the screw removed by Step 1. Screw should be installed through hole in adapter plate.

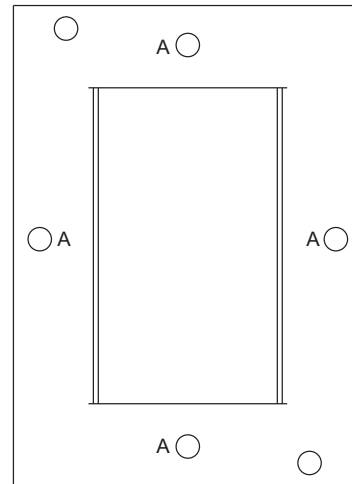
### All Other Units

Install adapter plate (part no. 50HJ502222 - see Fig. 1) by sliding it over the existing flue duct. Secure the adapter plate using the screw removed in

Step 1. Screw should be installed through hole in adapter plate.

**NOTE:** Part no. 50HJ502222 has larger diameter “A” holes than part no. 50HJ502223.

3. Attach mounting brackets to flue stack. (See Fig. 3.)  
Bracket A - Position as shown in Fig. 3. Remove fourth screw from top of flue stack and save. Fasten the bracket to the flue stack with screw that was just removed. The slotted portion of the bracket should be pointed away from the installer.  
Bracket B - Position as shown in Fig. 3. Remove top screw from the flue stack and save. Fasten the bracket to the flue stack with screw that was just removed. The slotted portion of the bracket should be pointed away from the installer.
4. Remove the two screws in the center post that are attached to the top cover. Remove the second screw from the bottom on the center post. Save all screws. (See Fig. 2.)
5. Mount the flue discharge deflector to unit by fastening the horizontal leg of the flue stack to the adapter plate using the three 3/8 in. screws supplied. Line up the slots in brackets A and B with the holes from the screws removed in Step 4. Reinstall screws from Step 4.



Part Number	Dia. "A"
50HJ502222	0.280 (7.11)
50HJ502223	0.154 (3.91)

**NOTE:**

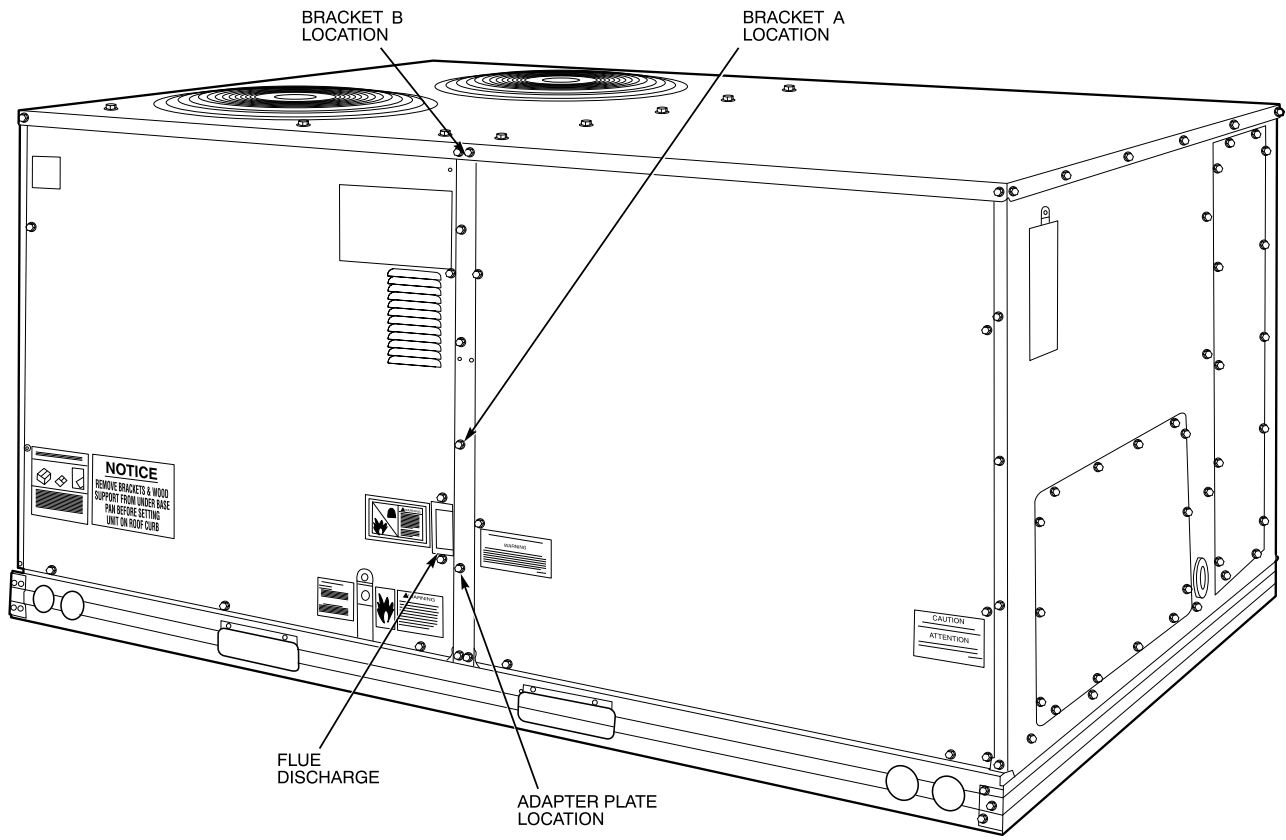
Dimensions are in inches. Dimensions in ( ) are in millimeters.

C08494

**Fig. 1 - Adapter Plate - Diameter “A” Details**

## SERVICE

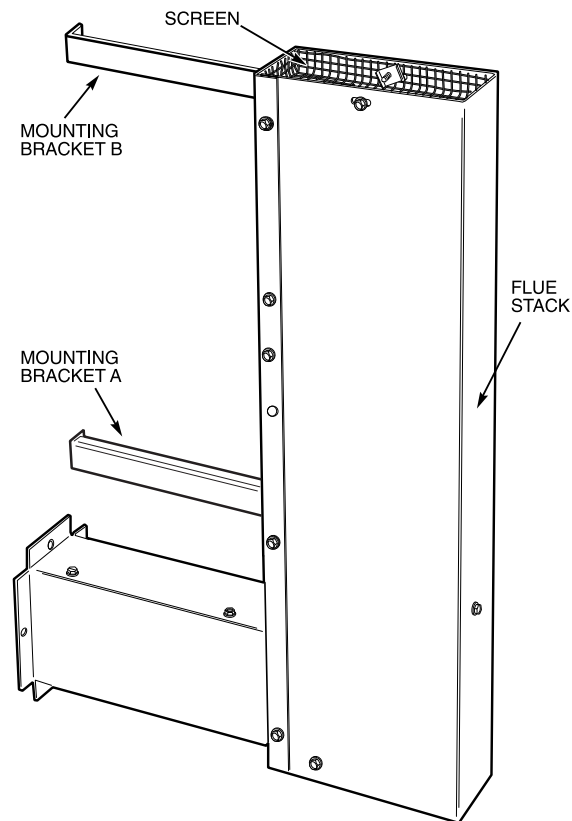
Remove and clean screen periodically to ensure proper airflow and heating efficiency. Inspect full length of flue stack for any blockages which could impair flue performance. Inspect every Fall, and periodically during heating season.



CRFLUEDS

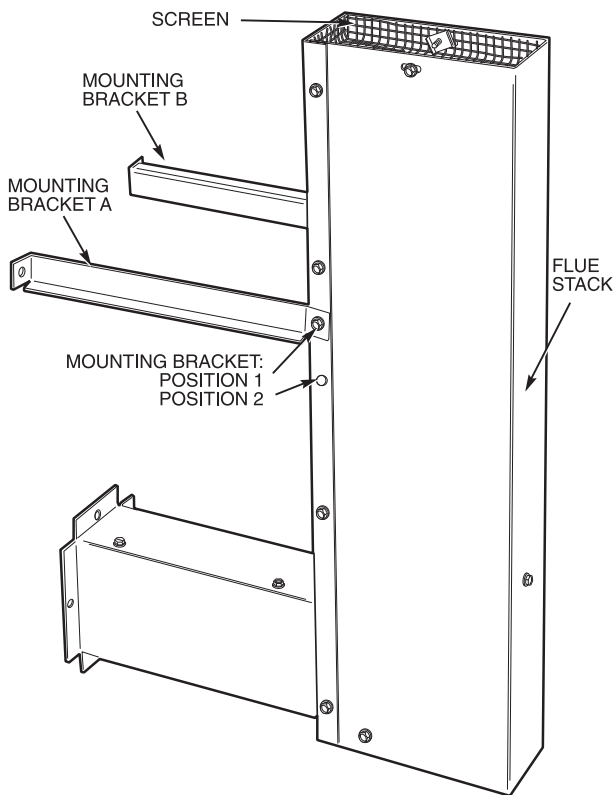
C08268

**Fig. 2 - Flue Discharge Deflector Mounting Position**



C08267

**Fig. 3 - Flue Discharge Deflector Assembly**

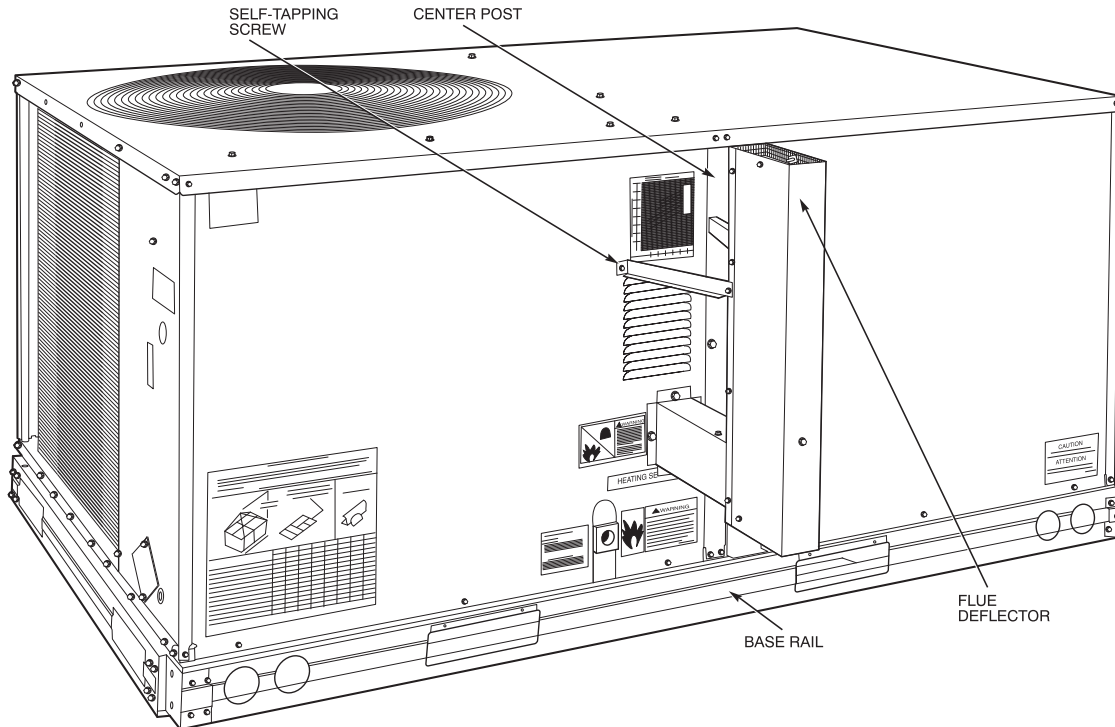


### 3 to 12-1/2 Ton Units with R-22 Refrigerant Produced Before April 3, 1995

1. Remove existing flue hood from unit. Save screws.
2. Attach mounting brackets to flue stack. (See Fig. 4.)  
Bracket A - Use position 1 for 3 to 6 ton units, and position 2 for 7-1/2 to 12-1/2 ton units.  
Bracket B - Mount to second screw from the top of the stack on the opposite side.
3. Mount horizontal leg of flue discharge deflector to unit as shown in Fig. 5 with screws saved from Step 1.
4. Remove the fourth screw up from the bottom of the unit base rail, in the center post, and attach mounting bracket B to unit with removed screw.
5. Align bracket A to the unit. Ensure that the assembly is plumb and mark location for the self-tapping screw.
6. Drill self-tapping screw through slot in mounting bracket A and into access panel on unit to attach bracket A to unit.

C08265

**Fig. 4 - Flue Discharge Deflector Assembly (2 to 12-1/2 Ton Units with R-22 Refrigerant Produced Before April 3, 1995)**



C08266

**Fig. 5 - Installation of Flue Discharge Deflector on 2 to 12-1/2 Ton High Efficiency Units with R-22 Refrigerant Produced Before April 3, 1995**