

# TECHNICAL SUPPORT MANUAL

## Split System Air Conditioner

### N4A3

#### Safety Labeling and Signal Words

##### **DANGER, WARNING, CAUTION, and NOTE**

The signal words **DANGER**, **WARNING**, **CAUTION**, and **NOTE** are used to identify levels of hazard seriousness. The signal word **DANGER** is only used on product labels to signify an immediate hazard. The signal words **WARNING**, **CAUTION**, and **NOTE** will be used on product labels and throughout this manual and other manuals that may apply to the product.

**DANGER** - Immediate hazards which **will** result in severe personal injury or death.

**WARNING** - Hazards or unsafe practices which **could** result in severe personal injury or death.

**CAUTION** - Hazards or unsafe practices which **may** result in minor personal injury or product or property damage.

**NOTE** - Used to highlight suggestions which **will** result in enhanced installation, reliability, or operation.

##### Signal Words in Manuals

The signal word **WARNING** is used throughout this manual in the following manner:



The signal word **CAUTION** is used throughout this manual in the following manner:



##### Signal Words on Product Labeling

Signal words are used in combination with colors and/or pictures on product labels.

#### **TABLE OF CONTENTS**

Model Number Identification .....	2
R-410A Quick Reference Guide .....	3
Wiring Diagram Connection .....	4
Wiring Diagram Schematic .....	5
Charging Chart .....	6
Tech Labels (Expanded Data) .....	7 - 13
Condenser Only Data .....	14 - 17
Parts List .....	18 - 19
Exploded Drawings .....	20 - 22
Cooling Multiplying Factors .....	23 - 61

#### **MODELS**

N4A318*KB300	N4A342*KA300
N4A324*KB200	N4A348*KB200
N4A330*KC200	N4A360*KC300
N4A336*KB200	

\* = A for standard inlet grille,  
 G for inlet grille with 3/8" (10mm) tight-wire spacing  
 (hail guard)

**DEATH, PERSONAL INJURY, AND/OR PROPERTY DAMAGE HAZARD**

**Failure to carefully read and follow this warning could result in equipment malfunction, property damage, personal injury and/or death.**

**Installation or repairs made by unqualified persons could result in equipment malfunction, property damage, personal injury and/or death.**

**The information contained in this manual is intended for use by a qualified service technician familiar with safety procedures and equipped with the proper tools and test instruments.**

**Installation must conform with local building codes and with the National Electrical Code NFPA70 current edition or Canadian Electrical Code Part 1 CSA C.22.1.**

<b>OUTDOOR UNIT MODEL NUMBER IDENTIFICATION GUIDE (single phase)</b>											
Digit Position:	1	2	3	4	5, 6	7	8	9	10	11	12
Example Part Number:	<b>N</b>	<b>4</b>	<b>A</b>	<b>3</b>	<b>18</b>	<b>A</b>	<b>K</b>	<b>B</b>	<b>1</b>	<b>0</b>	<b>0</b>
Product Family											
4 = R-410A		<b>REFRIGERANT</b>									
A = Air Conditioner											
H = Heat Pump		<b>TYPE</b>									
3 = 13 SEER											
4 = 14 SEER		<b>NOMINAL EFFICIENCY</b>									
18 = 18,000 BTUH = 1-1/2 tons											
24 = 24,000 BTUH = 2 tons											
30 = 30,000 BTUH = 2-1/2 tons											
36 = 36,000 BTUH = 3 tons											
42 = 42,000 BTUH = 3-1/2 tons											
48 = 48,000 BTUH = 4 tons											
60 = 60,000 BTUH = 5 tons		<b>NOMINAL CAPACITY</b>									
A = Standard Grille											
G = Coil Guard Grille											
C = Coastal											
<b>FEATURES</b>											
K = 208/230-1-60						<b>VOLTAGE</b>					
Sales Code											
Engineering Revision											
Extra Digit											
Extra Digit											

<b>ACCESSORIES PART NUMBER IDENTIFICATION GUIDE</b>									
Digit Position:	1	2	3	4	5	6, 7	8, 9	10, 11	
Example Part Number:	<b>N</b>	<b>A</b>	<b>S</b>	<b>A</b>	<b>0</b>	<b>01</b>	<b>01</b>	<b>CH</b>	
N = Non-Branded		<b>BRANDING</b>							
A = Accessory		<b>PRODUCT GROUP</b>							
S = Split System (AC & HP)			<b>KIT USAGE</b>						
A = Original									
B = 2nd Generation		<b>MAJOR SERIES</b>							
0 = Generic or Not Applicable									
2 = R-22									
4 = R-410A		<b>REFRIGERANT</b>							
Product Identifier Number									
Package Quantity									
Type of Kit (Example: CH = Crankcase Heater)									

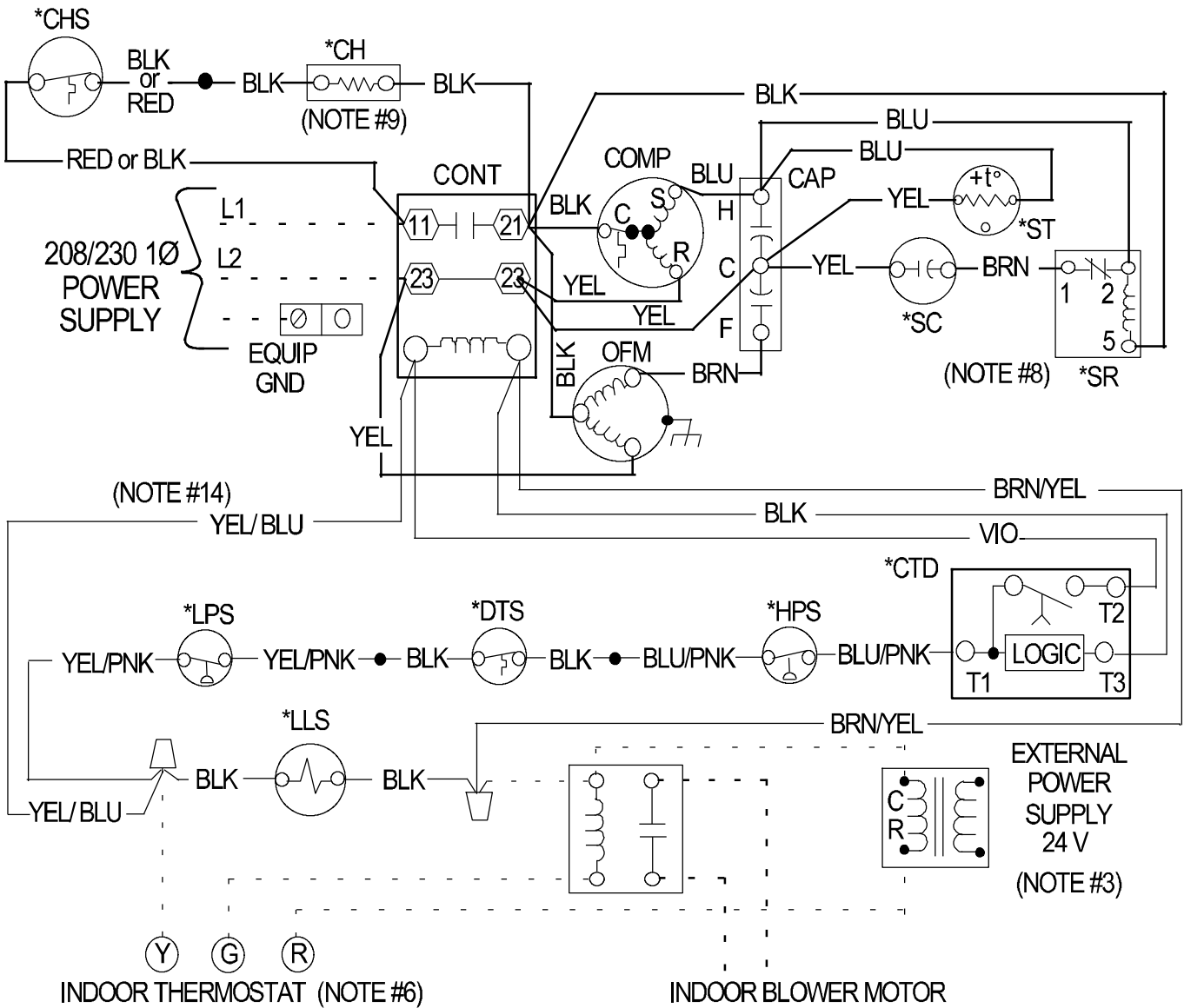
## R-410A QUICK REFERENCE GUIDE

---

- R-410A refrigerant operates at 50% – 70% higher pressures than R-22. Be sure that servicing equipment and replacement components are designed to operate with R-410A.
- R-410A refrigerant cylinders are rose colored.
- Recovery cylinder service pressure rating must be 400 psig, DOT 4BA400 or DOT BW400.
- R-410A systems should be charged with liquid refrigerant. Use a commercial type metering device in the manifold hose when charging into suction line with compressor operating.
- Manifold sets should be 750 psig high-side and 200 psig low-side with 520 psig low-side retard.
- Use hoses with 750 psig service pressure rating.
- Leak detectors should be designed to detect HFC refrigerant.
- R-410A, as with other HFC refrigerants, is only compatible with POE oils.
- Vacuum pumps will not remove moisture from oil.
- Do not use liquid line filter-driers with rated working pressures less than 600 psig.
- Do not install a suction line filter-drier in liquid line.
- POE oils absorb moisture rapidly. Do not expose oil to atmosphere.
- POE oils may cause damage to certain plastics and roofing materials.
- Wrap all filter-driers and service valves with wet cloth when brazing.
- A liquid line filter-drier is required on every unit.
- Do not use with an R-22 TXV.
- If indoor unit is equipped with an R-22 TXV, it must be changed to an R-410A TXV.
- Never open system to atmosphere while it is under a vacuum.
- When system must be opened for service, break vacuum with dry nitrogen and replace all filter-driers. Evacuate to 500 microns before recharging.
- Do not vent R-410A into the atmosphere.
- Do not use capillary tube indoor coils.
- Observe all **WARNINGS**, **CAUTIONS**, **NOTES**, and **bold** text.

Model Sizes: 18, 24, 30, 36, 42, 48, 60

CONNECTION DIAGRAM



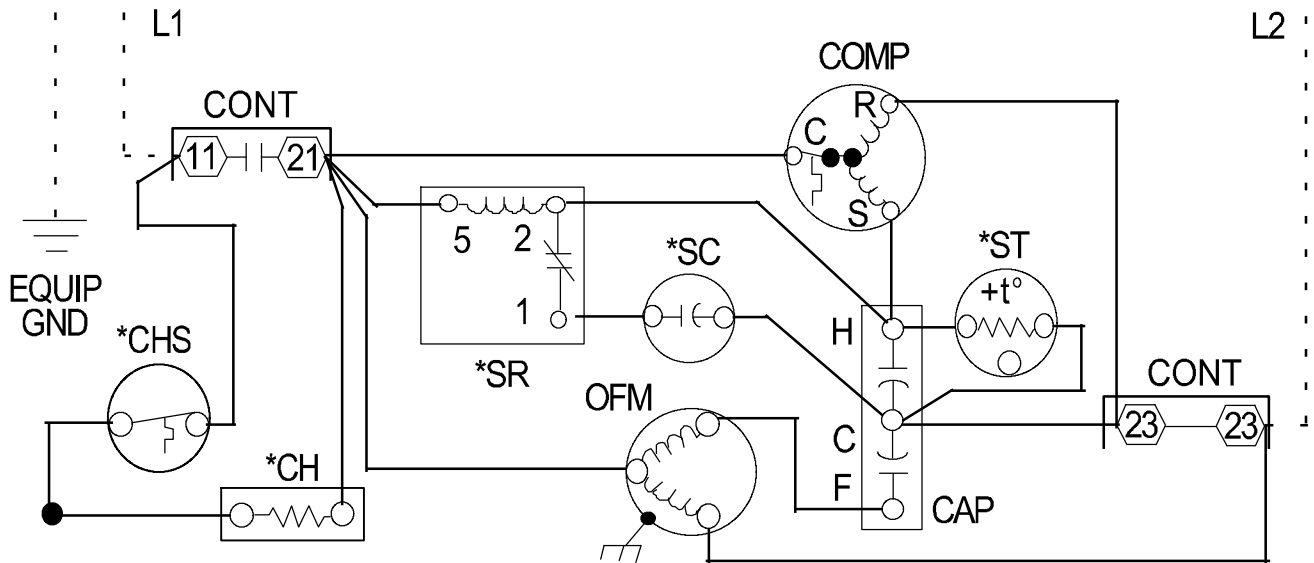
Note:

1. Symbols are electrical representation only.
2. Compressor and fan motor furnished with inherent thermal protection.
3. To be wired in accordance with National Electric N.E.C. and local codes.
4. N.E.C. class 2, 24 V circuit, min. 40 VA required, 60 VA on units installed with LLS.
5. Use copper conductors only. Use conductors suitable for at least 75° C (167° F).
6. Connection for typical cooling only thermostat. For other arrangements see installation instructions.
7. If indoor section has a transformer with a grounded secondary, connect the grounded side to the BRN/YEL lead.
8. When start capacitor and relay are installed, start thermistor (PTC) is not used.
9. CH not used on all units.
10. If any of the original wire, as supplied, must be replaced, use the same or equivalent wire.
11. Check all electrical connections inside control box for tightness.
12. Do not attempt to operate unit until service valves have been opened.
13. Do not rapid cycle compressor. Compressor must be off 3 minutes to allow pressures to equalize between high and low side before starting.
14. Wire not present if HPS, LPS or CTD are used.

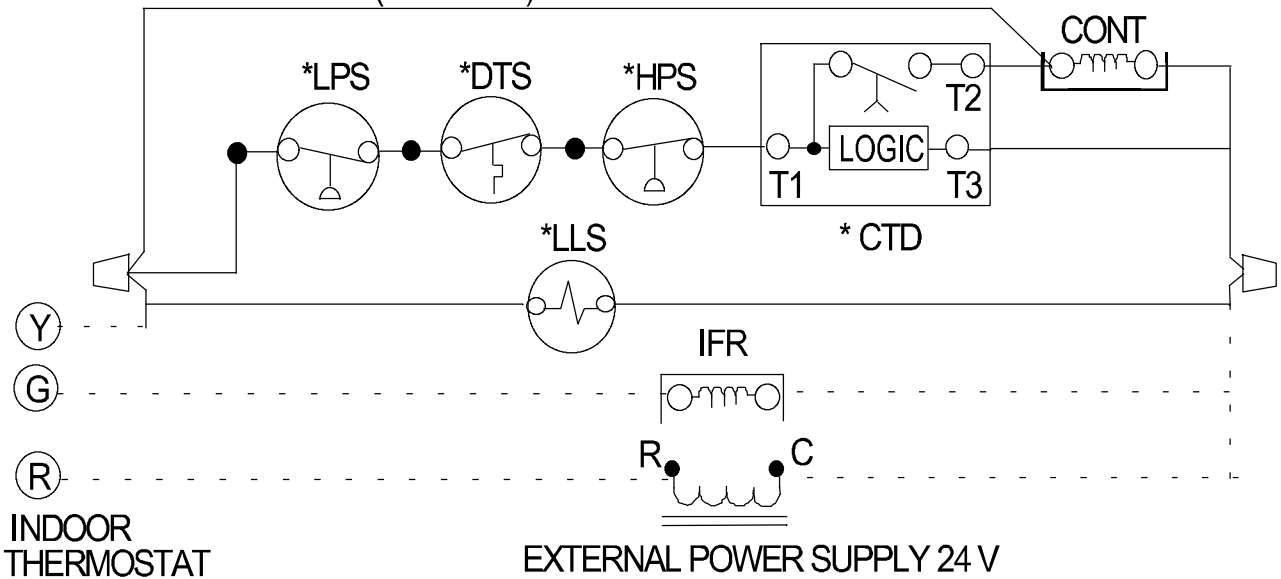
330440-101\_F

Model Sizes: 18, 24, 30, 36, 42, 48, 60

SCHEMATIC DIAGRAM (LADDER FORM)



(NOTE #14)



330440-101\_F

**LEGEND-**

—	FACTORY POWER WIRING	CA	COMFORT ALERT	DR	DEFROST RELAY AND CIRCUITRY		
—	FACTORY CONTROL WIRING	CAP	CAPACITOR (DUAL RUN)	*DTS	DISCHARGE TEMP SWITCH		
- - -	FIELD CONTROL WIRING	CB	CIRCUIT BOARD	FSC	FAN SPEED CONTROL	PL2	OUTDOOR FAN PLUG
- - -	FIELD POWER WIRING	*CH	CRANKCASE HEATER	*HPS	HIGH PRESSURE SWITCH	R1	RECEPTACLE
—	CONDUCTOR ON CIRCUIT BOARD	*CHS	CRANKCASE HEATER SWITCH	*LLS	LIQ LINE SOLENOID VALVE	RVS	REVERSING VALVE SOLENOID
○	COMPONENT CONNECTION	COMP	COMPRESSOR	*LPS	LOW PRESSURE SWITCH	*SC	START CAPICATOR
⊕	FIELD SPLICE	CONT	CONTACTOR	OFM	OUTDOOR FAN MOTOR	*SR	START RELAY
●	JUNCTION	DFT	DEFROST THERMOSTAT	PL1	COMPRESSOR PLUG	*ST	START THERMISTOR
⚡	PLUG RECEPTACLE						

\* MAY BE FACTORY INSTALLED

<b>R-410A CHARGING CHART</b>												
Measured Liquid Pressure (psig)	Rating Plate (required) Subcooling Temperature °F (°C)											
	°F 6	(°C) 3	°F 8	(°C) 4	°F 10	(°C) 6	°F 12	(°C) 7	F 14	(°C) 8	F 16	(°C) 9
	R-410A Required Liquid Line Temperature °F (°C)											
<b>251</b>	78	26	76	24	74	23	72	22	70	21	68	20
<b>259</b>	80	27	78	26	76	24	74	23	72	22	70	21
<b>266</b>	82	28	80	27	78	26	76	24	74	23	72	22
<b>274</b>	84	29	82	28	80	27	78	26	76	24	74	23
<b>283</b>	86	30	84	29	82	28	80	27	78	26	76	24
<b>291</b>	88	31	86	30	84	29	82	28	80	27	78	26
<b>299</b>	90	32	88	31	86	30	84	29	82	28	80	27
<b>308</b>	92	33	90	32	88	31	86	30	84	29	82	28
<b>317</b>	94	34	92	33	90	32	88	31	86	30	84	29
<b>326</b>	96	36	94	34	92	33	90	32	88	31	86	30
<b>335</b>	98	37	96	36	94	34	92	33	90	32	88	31
<b>345</b>	100	38	98	37	96	36	94	34	92	33	90	32
<b>364</b>	104	40	102	39	100	38	98	37	96	36	94	34
<b>374</b>	106	41	104	40	102	39	100	38	98	37	96	36
<b>384</b>	108	42	106	41	104	40	102	39	100	38	98	37
<b>395</b>	110	43	108	42	106	41	104	40	102	39	100	38
<b>406</b>	112	44	110	43	108	42	106	41	104	40	102	39
<b>416</b>	114	46	112	44	110	43	108	42	106	41	104	40
<b>427</b>	116	47	114	46	112	44	110	43	108	42	106	41
<b>439</b>	118	48	116	47	114	46	112	44	110	43	108	42
<b>450</b>	120	49	118	48	116	47	114	46	112	44	110	43
<b>462</b>	122	50	120	49	118	48	116	47	114	46	112	44
<b>474</b>	124	51	122	50	120	49	118	48	116	47	114	46

COOLING		18 Size Outdoor With ED*4X18B** Indoor Cooling																								
		Outdoor Ambient Temperature - Degrees F, Dry Bulb										Entering Indoor Temperature - Degrees F, Wet Bulb														
		75					85					95					105					115				
CFM	MBh†	72	67	63H†	62	57	72	67	63H†	62	57	72	67	63H†	62	57	72	67	63H†	62	57	72	67	63H†	62	57
	S/T‡	20.29	18.68	17.49	17.19	16.69	19.40	17.84	16.69	16.42	16.06	18.45	16.95	15.84	15.60	15.39	17.52	16.05	14.96	14.77	14.69	16.49	15.07	14.01	13.93	13.93
525	AMP\$	0.50	0.67	0.69	0.86	1.00	0.50	0.68	0.70	0.88	1.00	0.51	0.69	0.72	0.90	1.00	0.52	0.71	0.74	0.92	1.00	0.53	0.73	0.76	1.00	1.00
	HI PR	5.38	5.39	5.40	5.40	5.41	6.02	6.04	6.05	6.05	6.05	6.73	6.75	6.76	6.76	6.76	7.52	7.54	7.55	7.55	7.55	8.39	8.40	8.41	8.41	8.41
	LO PR	286	282	279	279	277	329	325	322	321	321	376	372	369	368	368	429	424	421	421	421	485	482	479	479	479
600	MBh†	155	142	132	130	126	158	144	134	132	129	160	146	136	135	133	162	149	139	137	137	165	151	141	141	141
	S/T‡	20.65	18.98	17.80	17.56	17.35	19.66	18.12	16.97	16.78	16.69	18.69	17.20	16.09	15.96	15.98	17.73	16.28	15.19	15.24	15.24	16.67	15.27	14.22	14.43	14.44
	AMP\$	0.51	0.70	0.72	0.90	1.00	0.52	0.71	0.74	0.92	1.00	0.53	0.73	0.75	1.00	1.00	0.54	0.75	0.77	1.00	1.00	0.55	0.77	0.80	1.00	1.00
	HI PR	5.49	5.51	5.52	5.52	5.52	6.14	6.15	6.16	6.16	6.16	6.85	6.86	6.87	6.87	6.87	7.64	7.65	7.66	7.66	7.66	8.50	8.52	8.53	8.52	8.52
	LO PR	287	283	280	280	279	330	326	323	323	322	377	373	370	370	370	430	425	422	422	422	486	482	480	480	480
675	MBh†	159	145	135	134	132	161	147	137	136	136	163	150	139	139	139	165	152	142	143	143	168	154	144	147	147
	S/T‡	20.88	19.19	18.02	17.91	17.89	19.84	18.31	17.18	17.19	17.19	18.84	17.37	16.28	16.44	16.44	17.87	16.44	15.36	15.68	15.68	16.79	15.41	14.37	14.84	14.84
	AMP\$	0.53	0.73	0.75	0.99	1.00	0.54	0.74	0.77	1.00	1.00	0.55	0.76	0.79	1.00	1.00	0.56	0.79	0.81	1.00	1.00	0.57	0.81	0.84	1.00	1.00
	HI PR	5.61	5.62	5.63	5.63	5.63	6.25	6.27	6.28	6.28	6.28	6.96	6.98	6.99	6.98	6.98	7.75	7.77	7.78	7.77	7.77	8.62	8.63	8.64	8.64	8.64
	LO PR	288	284	281	281	281	331	327	324	324	324	378	374	371	371	371	430	426	423	424	424	487	483	480	482	482
	LO PR	162	148	138	138	138	164	150	140	141	141	166	152	142	144	144	168	154	144	148	148	170	157	146	151	151

† Total capacities are net (I.D. blower heat subtracted) system capacities based on 25' line set. If additional tubing length and/or indoor unit is located above outdoor unit, a slight variation in capacity may occur.

†† At TVA rating indoor condition (75 °F db, 63 °F wb), all other indoor air temperatures are at 80 °F db. If additional tubing length and/or indoor unit is located above outdoor unit, a slight variation in capacity may occur.

^ System amps are total of indoor and outdoor amps.

# Chart data is for 80° F indoor dry bulb. For indoor db temperatures other than 80° F, measure Indoor db and Indoor CFM, and plug these into the formula below. Measure outdoor db and indoor wet bulb, apply these to the chart above, find MBh and S/T, and plug these into the formula below. (Note: if indoor db is the only thing changing, total capacity, MBh, stays the same.)

$$\text{Sensible Capacity at Indoor db LOWER than } 80^{\circ} \text{ F} = (\text{MBh} \times \text{S/T}) - \left( \frac{(\text{80} - \text{Indoor db}) \times 835 \times \text{Indoor CFM}}{1000} \right)$$

$$\text{Sensible Capacity at Indoor db HIGHER than } 80^{\circ} \text{ F} = (\text{MBh} \times \text{S/T}) + \left( \frac{(\text{Indoor db} - 80) \times 835 \times \text{Indoor CFM}}{1000} \right)$$

COOLING		24 Size Outdoor: With ED*4X24B** Indoor Cooling																			
		Outdoor Ambient Temperature - Degrees F, Dry Bulb									105									115	
		75			85			95			105			115							
CFM	Entering Indoor Temperature - Degrees F, Wet Bulb																				
	72	67	63H†	62	57	72	67	63H†	62	57	72	67	63H†	62	57	72	67	63H†	62	57	
<b>700</b>	27.06	24.87	23.36	22.98	22.41	25.82	23.82	22.35	22.00	21.61	24.64	22.70	21.28	20.97	20.75	23.44	21.55	20.16	19.92	19.85	
	0.51	0.68	0.71	0.88	1.00	0.51	0.69	0.72	0.90	1.00	0.52	0.71	0.73	0.92	1.00	0.53	0.73	0.75	0.94	1.00	
	7.18	7.15	7.14	7.13	7.13	8.02	8.00	7.98	7.98	7.98	8.95	8.93	8.92	8.92	8.91	9.99	9.97	9.97	9.96	9.96	
	291	286	283	283	281	335	330	327	326	325	383	378	375	374	374	436	431	428	427	427	
	156	142	132	130	127	158	144	134	132	130	160	146	136	135	133	162	148	138	137	137	
<b>800</b>	27.50	25.24	23.74	23.44	23.25	26.14	24.15	22.70	22.46	22.41	24.93	23.00	21.59	21.49	21.49	23.69	21.83	20.45	20.55	20.55	
	0.52	0.71	0.74	0.92	1.00	0.53	0.73	0.75	0.94	1.00	0.54	0.75	0.77	1.00	1.00	0.55	0.76	0.79	1.00	1.00	
	7.35	7.32	7.30	7.30	7.29	8.18	8.16	8.14	8.14	8.14	9.11	9.09	9.08	9.08	9.08	10.15	10.13	10.13	10.12	10.12	
	292	287	284	284	283	336	331	328	328	327	384	379	376	376	376	437	432	429	429	429	
	159	146	135	134	133	161	148	137	136	136	163	149	139	139	139	165	151	141	143	143	
<b>900</b>	27.78	25.51	24.01	23.92	23.93	26.38	24.39	22.95	23.04	23.04	25.12	23.21	21.82	22.08	22.08	23.86	22.02	20.65	21.10	21.10	
	0.54	0.75	0.77	1.00	1.00	0.55	0.76	0.79	1.00	1.00	0.56	0.78	0.81	1.00	1.00	0.57	0.80	0.83	1.00	1.00	
	7.51	7.48	7.46	7.46	7.46	8.34	8.32	8.30	8.30	8.30	9.27	9.25	9.24	9.24	9.24	10.31	10.29	10.28	10.28	10.28	
	293	288	285	285	285	337	332	329	329	329	385	380	377	377	377	438	433	429	431	431	
	162	148	138	138	138	164	150	140	141	141	166	152	142	144	144	168	154	144	148	148	

† Total capacities are net (I.D. blower heat subtracted) system capacities based on 25' line set.

‡ If additional tubing length and/or indoor unit is located above outdoor unit, a slight variation in capacity may occur.

†† At TVA rating indoor condition (75 °F db, 63 °F wb), all other indoor air temperatures are at 80 °F db

‡‡ If additional tubing length and/or indoor unit is located above outdoor unit, a slight variation in capacity may occur.

^ System amps are total of indoor and outdoor amps.

# Chart data is for 80° F indoor dry bulb. For indoor db temperatures other than 80° F, measure Indoor db and Indoor CFM, and plug these into the formula below. Measure outdoor db and indoor wet bulb, apply these to the chart above, find MBh and S/T, and plug these into the formula below. (Note: if indoor db is the only thing changing, total capacity, MBh, stays the same.)

$$\text{Sensible Capacity at Indoor db LOWER than } 80^{\circ} \text{ F} = (\text{MBh} \times \text{S/T}) - \left( \frac{(80 - \text{Indoor db}) \times 835 \times \text{Indoor CFM}}{1000} \right)$$

$$\text{Sensible Capacity at Indoor db HIGHER than } 80^{\circ} \text{ F} = (\text{MBh} \times \text{S/T}) + \left( \frac{(\text{Indoor db} - 80) \times 835 \times \text{Indoor CFM}}{1000} \right)$$



COOLING		30 Size Outdoor With ED*4X30B** Indoor Cooling																			
		Outdoor Ambient Temperature - Degrees F, Dry Bulb									Outdoor Ambient Temperature - Degrees F, Wet Bulb										
		75			85			95			105			115							
875	CFM	72	67	63††	62	57	72	67	63††	62	57	72	67	63††	62	57	72	67	63††	62	57
	MBH†	32.02	29.54	27.75	27.35	26.98	30.68	28.28	26.53	26.19	25.99	29.25	26.92	25.22	24.96	24.93	27.76	25.50	23.85	23.81	23.81
	S/T‡	0.51	0.69	0.72	0.89	1.00	0.52	0.70	0.73	0.91	1.00	0.53	0.72	0.75	0.99	1.00	0.53	0.74	0.76	1.00	1.00
	AMPS*	8.82	8.80	8.79	8.79	8.79	9.72	9.71	9.70	9.69	9.69	10.72	10.70	10.70	10.69	10.69	11.83	11.81	11.80	11.79	11.79
	HI PR	297	292	289	288	287	342	337	333	332	332	391	385	381	381	381	444	438	435	435	435
LO PR	158	144	134	132	130	160	146	136	134	133	162	148	138	137	137	164	150	140	140	140	
1000	MBH†	32.38	29.89	28.12	27.91	27.89	30.97	28.59	26.86	26.85	26.85	29.51	27.20	25.52	25.73	25.73	27.98	25.75	24.11	24.55	24.56
	S/T‡	0.53	0.73	0.75	0.99	1.00	0.54	0.74	0.77	1.00	1.00	0.55	0.76	0.78	1.00	1.00	0.56	0.78	0.81	1.00	1.00
	AMPS*	9.06	9.04	9.04	9.03	9.03	9.97	9.95	9.94	9.94	9.94	10.97	10.95	10.94	10.94	10.94	12.07	12.05	12.04	12.04	12.04
	HI PR	298	293	290	290	290	343	338	334	334	334	392	387	383	383	383	445	440	436	437	437
	LO PR	161	147	137	137	136	163	149	139	139	139	165	151	141	143	143	167	153	143	146	146
1125	MBH†	32.60	30.13	28.36	28.60	28.60	31.16	28.80	27.09	27.52	27.52	29.67	27.39	25.72	26.35	26.35	28.11	25.92	24.30	25.13	25.13
	S/T‡	0.55	0.76	0.78	1.00	1.00	0.56	0.78	0.80	1.00	1.00	0.57	0.80	0.82	1.00	1.00	0.58	0.83	0.85	1.00	1.00
	AMPS*	9.30	9.29	9.28	9.28	9.28	10.21	10.20	10.19	10.19	10.19	11.21	11.19	11.19	11.19	11.19	12.32	12.30	12.29	12.29	12.29
	HI PR	299	294	291	291	291	344	339	335	336	336	393	388	384	385	385	446	441	437	439	439
	LO PR	163	150	140	142	142	165	152	141	144	144	167	153	143	148	148	169	155	145	151	151

- † Total capacities are net (I.D. blower heat subtracted) system capacities based on 25' line set.
- †† If additional tubing length and/or indoor unit is located above outdoor unit, a slight variation in capacity may occur.
- ††† At TVA rating indoor condition (75 °F db, 63 °F wb), all other indoor air temperatures are at 80 °F db
- ^ If additional tubing length and/or indoor unit is located above outdoor unit, a slight variation in capacity may occur.
- ^ System amps are total of indoor and outdoor amps.

# Chart data is for 80° F indoor dry bulb. For indoor db temperatures other than 80° F, measure indoor db and indoor CFM, and plug these into the formula below. Measure outdoor db and indoor wet bulb, apply these to the chart above, find MBh and S/T, and plug these into the formula below. (Note: if indoor db is the only thing changing, total capacity, MBh, stays the same.)

$$\text{Sensible Capacity at Indoor db LOWER than } 80^{\circ} \text{ F} = (\text{MBh} \times \text{S/T}) - \left( \frac{(80 - \text{Indoor db}) \times 835 \times \text{Indoor CFM}}{1000} \right)$$

$$\text{Sensible Capacity at Indoor db HIGHER than } 80^{\circ} \text{ F} = (\text{MBh} \times \text{S/T}) + \left( \frac{(\text{Indoor db} - 80) \times 835 \times \text{Indoor CFM}}{1000} \right)$$

COOLING		036 Size Outdoor With ED*4X36F** Indoor Cooling																								
		Outdoor Ambient Temperature - Degrees F, Dry Bulb					Entering Indoor Temperature - Degrees F, Wet Bulb					105					115									
		75					85					95					105					115				
CFM		72	67	63††	62	57	72	67	63††	62	57	72	67	63††	62	57	72	67	63††	62	57	72	67	63††	62	57
	MBH†	40.22	36.61	34.02	33.42	32.55	38.50	35.00	32.50	31.97	31.38	36.66	33.29	30.89	30.45	30.12	34.69	31.46	29.17	28.86	28.77	32.56	29.49	27.32	27.29	27.29
	S/T‡	0.52	0.70	0.73	0.91	1.00	0.53	0.72	0.74	0.98	1.00	0.54	0.73	0.76	0.95	1.00	0.55	0.75	0.78	0.98	1.00	0.56	0.77	0.80	1.00	1.00
1060	AMPS*	10.73	10.82	10.55	10.54	10.51	11.79	11.67	11.60	11.59	11.57	12.98	12.86	12.80	12.78	12.77	14.34	14.23	14.17	14.16	14.16	15.91	15.83	15.79	15.78	15.78
	HI PR	275	272	270	270	269	320	317	315	314	314	369	365	363	362	362	421	418	415	415	415	478	474	472	472	472
	LO PR	155	142	132	131	127	157	144	134	133	130	159	146	137	135	134	162	149	139	138	138	165	151	141	142	142
	MBH†	40.90	37.25	34.63	34.19	33.87	39.11	35.57	33.04	32.73	32.61	37.20	33.80	31.38	31.24	31.27	35.17	31.91	29.60	29.83	29.83	32.96	29.88	27.69	28.26	28.26
	S/T‡	0.54	0.73	0.76	0.95	1.00	0.54	0.75	0.78	0.97	1.00	0.55	0.77	0.79	1.00	1.00	0.57	0.79	0.82	1.00	1.00	0.58	0.81	0.84	1.00	1.00
1200	AMPS*	11.00	10.88	10.81	10.80	10.79	12.05	11.93	11.86	11.85	11.85	13.24	13.12	13.05	13.04	13.04	14.60	14.49	14.43	14.43	14.43	16.17	16.08	16.03	16.04	16.04
	HI PR	276	273	271	271	270	321	318	315	315	315	370	366	364	363	364	422	419	416	416	416	478	475	473	473	473
	LO PR	158	145	135	134	133	160	147	137	137	136	162	149	139	139	139	165	151	141	143	143	167	154	144	147	147
	MBH†	41.40	37.72	35.09	34.90	34.96	39.55	36.00	33.47	33.63	33.64	37.60	34.19	31.76	32.22	32.23	35.50	32.26	29.94	30.70	30.70	33.24	30.19	27.99	29.05	29.05
	S/T‡	0.55	0.76	0.79	1.00	1.00	0.56	0.78	0.81	1.00	1.00	0.57	0.80	0.83	1.00	1.00	0.58	0.83	0.85	1.00	1.00	0.60	0.86	0.88	1.00	1.00
1350	AMPS*	11.26	11.14	11.06	11.06	11.06	12.31	12.19	12.11	12.12	12.12	13.50	13.38	13.30	13.32	13.31	14.85	14.74	14.68	14.69	14.69	16.42	16.33	16.28	16.30	16.30
	HI PR	276	274	271	271	271	321	318	316	316	316	370	367	364	365	365	423	419	417	417	417	479	476	473	475	475
	LO PR	161	148	138	138	138	163	150	140	141	141	165	152	142	144	144	167	154	144	148	148	169	156	146	151	151

† Total capacities are net (I.D. blower heat subtracted) system capacities based on 25' line set. If additional tubing length and/or indoor unit is located above outdoor unit, a slight variation in capacity may occur.

†† At TVA rating indoor condition (75 ° F db, 63 ° F wb), all other indoor air temperatures are at 80 ° F db if additional tubing length and/or indoor unit is located above outdoor unit, a slight variation in capacity may occur.

^ System amps are total of indoor and outdoor amps.

‡ Chart data is for 80° F indoor dry bulb. For indoor db temperatures other than 80° F, measure Indoor db and Indoor CFM, and plug these into the formula below. Measure outdoor db and indoor wet bulb, apply these to the chart above, find MBh and S/T, and plug these into the formula below. (Note: if indoor db is the only thing changing, total capacity, MBh, stays the same.)

$$\text{Sensible Capacity at Indoor db LOWER than } 80^\circ \text{ F} = (\text{MBh} \times \text{S/T}) - \left( \frac{(\text{80} - \text{Indoor db}) \times 835 \times \text{Indoor CFM}}{1000} \right)$$

$$\text{Sensible Capacity at Indoor db HIGHER than } 80^\circ \text{ F} = (\text{MBh} \times \text{S/T}) + \left( \frac{(\text{Indoor db} - 80) \times 835 \times \text{Indoor CFM}}{1000} \right)$$

† Total capacities are net (I.D. blower heat subtracted) system capacities based on 25' line set. If additional tubing length and/or indoor unit is located above outdoor unit, a slight variation in capacity may occur.

COOLING		042 Size Outdoor, With ED*4X42J** Indoor Cooling																								
		Outdoor Ambient Temperature - Degrees F, Dry Bulb									105									115						
		75	85	95	Entering Indoor Temperature - Degrees F, Wet Bulb															105	115					
CFM	72	67	63††	62	57	72	67	63††	62	57	72	67	63††	62	57	72	67	63††	62	57						
	MBH†	48.54	44.52	41.68	40.89	39.81	46.41	42.55	39.82	39.11	38.36	44.15	40.47	37.85	37.25	36.82	41.78	38.27	35.76	35.32	35.18	39.23	35.92	33.53	33.39	33.40
	S/T‡	0.53	0.71	0.73	0.91	1.00	0.53	0.72	0.75	0.93	1.00	0.54	0.74	0.76	0.95	1.00	0.55	0.75	0.78	0.98	1.00	0.56	0.78	0.80	1.00	1.00
1225	AMPS*	14.46	14.38	14.59	14.31	14.29	16.01	15.93	16.09	15.86	15.85	17.72	17.64	17.76	17.58	17.56	19.62	19.55	19.80	19.50	19.50	21.69	21.64	21.62	21.61	21.61
	HI PR	279	275	272	271	270	323	318	315	314	314	370	365	362	361	361	421	416	413	412	412	475	471	467	467	467
	LO PR	152	139	129	127	124	154	141	131	130	127	157	143	133	132	131	159	146	136	135	134	162	148	138	138	138
	MBH†	49.25	45.21	42.38	41.75	41.34	47.04	43.17	40.44	39.95	39.79	44.69	41.00	38.40	38.08	38.14	42.24	38.74	36.25	36.38	36.39	39.60	36.32	33.95	34.49	34.49
	S/T‡	0.54	0.74	0.76	0.96	1.00	0.55	0.75	0.78	0.98	1.00	0.56	0.77	0.80	1.00	1.00	0.57	0.79	0.82	1.00	1.00	0.58	0.82	0.84	1.00	1.00
1400	AMPS*	14.80	14.71	14.96	14.64	14.64	16.34	16.26	16.46	16.20	16.19	18.05	17.97	18.13	17.92	17.92	19.95	19.88	19.97	19.84	19.84	22.02	21.97	21.98	21.94	21.94
	HI PR	280	276	273	272	272	324	319	316	316	315	371	366	363	363	363	422	417	414	414	414	476	472	468	469	469
	LO PR	155	142	132	131	130	157	144	134	133	133	160	146	136	136	136	162	148	138	140	140	164	151	141	144	144
	MBH†	49.78	45.74	42.90	42.59	42.57	47.50	43.63	40.92	40.93	40.94	45.08	41.41	38.83	39.20	39.20	42.57	39.10	36.63	37.35	37.35	39.86	36.63	34.28	35.35	35.35
	S/T‡	0.56	0.77	0.79	0.99	1.00	0.57	0.79	0.81	1.00	1.00	0.58	0.81	0.83	1.00	1.00	0.59	0.83	0.86	1.00	1.00	0.61	0.86	0.88	1.00	1.00
1575	AMPS*	15.14	15.05	15.32	14.98	14.98	16.68	16.59	16.83	16.54	16.54	18.38	18.30	18.49	18.26	18.26	20.28	20.21	20.33	20.18	20.18	22.35	22.29	22.34	22.28	22.28
	HI PR	281	277	274	273	273	325	320	317	317	317	372	367	364	364	364	423	418	415	416	416	477	472	469	471	471
	LO PR	158	145	135	135	135	160	147	136	138	138	162	149	138	141	141	164	151	141	144	144	167	153	143	148	148

† Total capacities are net (I.D. blower heat subtracted) system capacities based on 25' line set.

If additional tubing length and/or indoor unit is located above outdoor unit, a slight variation in capacity may occur.

†† At TVA rating indoor condition (75 ° F db, 63 ° F wb), all other indoor air temperatures are at 80 ° F db

If additional tubing length and/or indoor unit is located above outdoor unit, a slight variation in capacity may occur.

^ System amps are total of indoor and outdoor amps.

‡ Chart data is for 80° F indoor dry bulb. For indoor db temperatures other than 80° F, measure Indoor db and Indoor CFM, and plug these into the formula below. Measure outdoor db and indoor wet bulb, apply these to the chart above, find MBh and S/T, and plug these into the formula below. (Note: if indoor db is the only thing changing, total capacity, MBh, stays the same.)

$$\text{Sensible Capacity at Indoor db LOWER than } 80^{\circ} \text{ F} = (\text{MBh} \times \text{S/T}) - \left( \frac{(\text{80} - \text{Indoor db}) \times \text{835} \times \text{Indoor CFM}}{1000} \right)$$

$$\text{Sensible Capacity at Indoor db HIGHER than } 80^{\circ} \text{ F} = (\text{MBh} \times \text{S/T}) + \left( \frac{(\text{Indoor db} - \text{80}) \times \text{835} \times \text{Indoor CFM}}{1000} \right)$$

COOLING		048 Size Outdoor With ED*4X48J** Indoor Cooling																								
		75					85					95					105					115				
		Outdoor Ambient Temperature - Degrees F, Dry Bulb																								
		Entering Indoor Temperature - Degrees F, Wet Bulb																								
CFM		72	67	63††	62	57	72	67	63††	62	57	72	67	63††	62	57	72	67	63††	62	57	72	67	63††	62	57
1400	MBH†	54.48	49.80	46.42	45.58	44.55	52.18	47.63	44.36	43.61	42.84	49.73	45.34	42.19	41.55	41.23	47.13	42.93	39.89	39.45	39.42	44.34	40.34	37.46	37.47	37.47
	S/T‡	0.48	0.65	0.88	0.85	1.00	0.49	0.87	0.69	0.87	1.00	0.50	0.68	0.71	0.89	1.00	0.51	0.70	0.72	0.99	1.00	0.52	0.72	0.75	1.00	1.00
	AMPS*	14.71	14.60	14.59	14.50	14.48	16.25	16.13	16.06	16.04	16.03	17.94	17.83	17.76	17.74	17.74	19.82	19.71	19.65	19.63	19.63	21.88	21.78	21.72	21.72	21.72
	HI PR	296	292	289	288	287	342	338	334	334	333	392	387	384	383	383	447	442	439	438	438	507	502	499	499	499
	LO PR	154	141	131	129	126	156	143	133	131	129	158	145	135	134	133	161	147	137	136	136	163	150	140	140	140
1600	MBH†	55.34	50.82	47.22	46.58	46.27	52.95	48.38	45.08	44.61	44.56	50.42	46.00	42.83	42.74	42.75	47.73	43.51	40.47	40.82	40.82	44.84	40.84	37.96	38.75	38.75
	S/T‡	0.50	0.68	0.71	0.89	1.00	0.51	0.70	0.72	0.89	1.00	0.52	0.71	0.74	1.00	1.00	0.53	0.73	0.76	1.00	1.00	0.54	0.76	0.79	1.00	1.00
	AMPS*	15.07	14.95	14.88	14.86	14.85	16.80	16.49	16.41	16.40	16.40	18.30	18.18	18.11	18.11	18.11	20.17	20.06	20.00	20.00	20.00	22.23	22.13	22.07	22.08	22.08
	HI PR	297	293	290	289	289	343	339	335	335	335	393	388	385	385	385	448	443	440	440	440	508	503	500	501	501
	LO PR	157	144	134	133	132	159	146	136	135	135	161	148	138	138	138	163	150	140	142	142	166	152	142	145	145
1800	MBH†	55.96	51.21	47.80	47.66	47.67	53.51	48.91	45.61	45.87	45.88	50.90	46.48	43.31	43.97	43.97	48.15	43.93	40.89	41.94	41.95	45.18	41.20	38.33	39.77	39.77
	S/T‡	0.52	0.71	0.74	1.00	1.00	0.52	0.73	0.75	1.00	1.00	0.53	0.75	0.77	1.00	1.00	0.55	0.77	0.80	1.00	1.00	0.56	0.80	0.82	1.00	1.00
	AMPS*	15.43	15.30	15.23	15.22	15.22	16.96	16.84	16.76	16.76	16.76	18.65	18.53	18.46	18.47	18.47	20.53	20.41	20.34	20.36	20.36	22.58	22.47	22.42	22.44	22.44
	HI PR	298	294	291	291	291	344	339	336	336	336	394	389	386	387	387	449	444	441	442	442	509	504	501	502	502
	LO PR	160	147	137	137	137	162	148	138	140	140	164	150	140	143	143	166	152	142	146	146	168	155	144	150	150

† Total capacities are net (I.D. blower heat subtracted) system capacities based on 25' line set. If additional tubing length and/or indoor unit is located above outdoor unit, a slight variation in capacity may occur.

†† At TVA rating indoor condition (75 ° F db, 63 ° F wb), all other indoor air temperatures are at 80 ° F db. If additional tubing length and/or indoor unit is located above outdoor unit, a slight variation in capacity may occur.

^ System amps are total of indoor and outdoor amps.

‡ Chart data is for 80 ° F indoor dry bulb. For indoor db temperatures other than 80 ° F, measure indoor db and indoor CFM, and plug these into the formula below. Measure outdoor db and indoor wet bulb, apply these to the chart above, find MBh and S/T, and plug these into the formula below. (Note: if indoor db is the only thing changing, total capacity, MBh, stays the same.)

$$\text{Sensible Capacity at Indoor db LOWER than } 80 \text{ } ^\circ \text{F} = (\text{MBh} \times \text{S/T}) - \left( \frac{(\text{80} - \text{Indoor db}) \times \text{835} \times \text{Indoor CFM}}{1000} \right)$$

$$\text{Sensible Capacity at Indoor db HIGHER than } 80 \text{ } ^\circ \text{F} = (\text{MBh} \times \text{S/T}) + \left( \frac{(\text{Indoor db} - \text{80}) \times \text{835} \times \text{Indoor CFM}}{1000} \right)$$

COOLING		60 Size Outdoor With ED*4X60L** Indoor Cooling																			
		Outdoor Ambient Temperature - Degrees F, Dry Bulb									Entering Indoor Temperature - Degrees F, Wet Bulb										
		75			85			95			105			115							
CFM	1750	72	67	63††	62	57	72	67	63††	62	57	72	67	63††	62	57	72	67	63††	62	57
		68.71	63.16	59.15	58.14	56.63	62.89	57.50	53.84	53.01	52.42	59.21	54.39	50.92	50.27	50.09	55.54	51.03	47.79	47.55	47.55
		0.51	0.68	0.71	0.88	1.00	0.52	0.71	0.73	0.92	1.00	0.53	0.73	0.75	0.94	1.00	0.54	0.75	0.77	1.00	1.00
		18.99	18.66	18.43	18.37	18.29	20.92	20.59	20.37	20.31	20.25	23.05	22.73	22.50	22.45	22.42	25.39	25.07	24.86	24.82	24.81
		303	299	295	294	293	351	346	342	341	340	402	396	392	391	391	457	451	447	446	446
		157	143	133	131	128	159	145	135	133	131	161	148	137	136	134	164	150	140	138	138
		69.71	64.15	60.14	59.33	58.75	66.67	61.31	57.47	56.80	56.59	63.38	58.27	54.61	54.23	54.26	59.88	55.05	51.60	51.77	51.77
		0.52	0.71	0.74	0.92	1.00	0.53	0.73	0.75	0.94	1.00	0.54	0.74	0.77	1.00	1.00	0.55	0.77	0.79	1.00	1.00
		19.47	19.14	18.90	18.86	18.83	21.40	21.07	20.84	20.80	20.79	23.53	23.20	22.97	22.95	22.95	25.86	25.54	25.32	25.33	25.33
		304	300	296	296	295	352	347	343	343	342	403	398	393	393	393	459	452	448	448	448
		161	147	137	135	134	162	149	138	137	137	165	151	140	140	140	167	153	142	144	144
		70.44	64.85	60.84	60.44	60.47	67.31	61.94	58.11	58.18	58.19	63.93	58.82	55.17	55.72	55.73	60.33	55.52	52.08	53.10	53.10
		0.54	0.74	0.77	1.00	1.00	0.55	0.76	0.78	1.00	1.00	0.56	0.78	0.80	1.00	1.00	0.57	0.80	0.83	1.00	1.00
		19.94	19.60	19.36	19.35	19.35	21.86	21.53	21.29	21.30	21.30	23.99	23.66	23.42	23.46	23.46	26.31	25.99	25.77	25.84	25.84
		305	301	297	297	297	353	348	344	344	344	405	399	395	395	395	460	454	449	450	450
		163	150	139	139	139	165	151	141	142	142	167	153	143	145	145	169	155	145	149	149
		172	158	147	152	152	172	158	147	152	152	172	158	147	152	152	172	158	147	152	152

- † Total capacities are net (I.D. blower heat subtracted) system capacities based on 25' line set. If additional tubing length and/or indoor unit is located above outdoor unit, a slight variation in capacity may occur.
- †† At TVA rating indoor condition (75 °F db, 63 °F wb), all other indoor air temperatures are at 80 °F db. If additional tubing length and/or indoor unit is located above outdoor unit, a slight variation in capacity may occur.
- ^ System amps are total of indoor and outdoor amps.
- # Chart data is for 80° F indoor dry bulb. For indoor db temperatures other than 80° F, measure Indoor db and Indoor CFM, and plug these into the formula below. Measure outdoor db and indoor wet bulb, apply these to the chart above, find MBh and S/T, and plug these into the formula below. (Note: if indoor db is the only thing changing, total capacity, MBh, stays the same.)

$$\text{Sensible Capacity at Indoor db LOWER than } 80^{\circ} \text{ F} = (\text{MBh} \times \text{S/T}) - \left( \frac{(\text{80} - \text{Indoor db}) \times \text{835} \times \text{Indoor CFM}}{1000} \right)$$

$$\text{Sensible Capacity at Indoor db HIGHER than } 80^{\circ} \text{ F} = (\text{MBh} \times \text{S/T}) + \left( \frac{(\text{Indoor db} - \text{80}) \times \text{835} \times \text{Indoor CFM}}{1000} \right)$$

Data for Condenser Only (Cooling)									
Saturated Suction Temperature °F		Condenser Entering Air Temperature °F							
		55	65	75	85	95	105	115	125
<b>N4A318</b>									
30	TCG	16.10	15.20	14.20	13.30	12.30	11.30	10.20	9.10
	SDT	70.80	80.40	89.90	99.50	109.10	118.80	128.60	138.50
	KW	0.83	0.95	1.09	1.24	1.40	1.57	1.76	1.95
35	TCG	17.70	16.70	15.70	14.70	13.70	12.60	11.50	10.30
	SDT	71.90	81.40	90.90	100.40	109.90	119.60	129.40	139.10
	KW	0.83	0.95	1.09	1.24	1.40	1.58	1.77	1.97
40	TCG	19.50	18.40	17.40	16.20	15.10	14.00	12.80	11.50
	SDT	73.00	82.50	91.90	101.30	110.80	120.40	130.10	139.70
	KW	0.83	0.95	1.09	1.23	1.40	1.58	1.77	1.98
45	TCG	21.30	20.20	19.00	17.90	16.70	15.40	14.20	12.80
	SDT	74.20	83.60	93.00	102.30	111.70	121.20	130.70	140.30
	KW	0.83	0.95	1.08	1.23	1.40	1.58	1.78	1.99
50	TCG	23.30	22.00	20.80	19.50	18.20	16.90	15.60	14.20
	SDT	75.40	84.80	94.10	103.40	112.60	122.00	131.40	140.90
	KW	0.82	0.95	1.08	1.23	1.40	1.58	1.78	1.99
55	TCG	25.20	23.90	22.50	21.20	19.80	18.50	17.00	15.50
	SDT	76.70	86.00	95.20	104.40	113.60	122.90	132.20	141.50
	KW	0.82	0.94	1.08	1.23	1.39	1.58	1.78	1.99
<b>N4A324</b>									
30	TCG	21.30	20.10	18.90	17.70	16.50	15.20	14.00	12.60
	SDT	73.00	82.40	91.80	101.20	110.60	120.20	129.80	139.40
	KW	1.06	1.21	1.37	1.56	1.77	1.99	2.24	2.51
35	TCG	23.40	22.10	20.90	19.60	18.20	16.90	15.50	14.10
	SDT	74.40	83.60	93.00	102.30	111.70	121.10	130.60	140.20
	KW	1.06	1.21	1.38	1.57	1.77	2.00	2.25	2.52
40	TCG	25.60	24.20	22.90	21.50	20.00	18.60	17.10	15.60
	SDT	75.80	85.00	94.20	103.50	112.70	122.10	131.50	140.90
	KW	1.07	1.22	1.39	1.58	1.78	2.01	2.26	2.53
45	TCG	27.90	26.40	24.90	23.40	21.90	20.40	18.80	17.10
	SDT	77.30	86.30	95.50	104.70	113.80	123.10	132.30	141.60
	KW	1.08	1.23	1.40	1.58	1.79	2.02	2.27	2.54
50	TCG	30.20	28.60	27.00	25.40	23.70	22.10	20.40	18.60
	SDT	78.80	87.80	96.80	105.90	114.90	124.10	133.30	142.40
	KW	1.09	1.24	1.40	1.59	1.80	2.03	2.28	2.55
55	TCG	32.60	30.80	29.10	27.30	25.60	23.90	22.10	20.20
	SDT	80.30	89.20	98.20	107.10	116.10	125.20	134.20	143.10
	KW	1.09	1.25	1.41	1.60	1.81	2.03	2.28	2.55

TCG = Gross Cooling Capacity (x 1000 BTU/hr)

SDT = Saturated Temperature Leaving Compressor

kW = Outdoor Unit Kilowatts

Data for Condenser Only (Cooling)									
Saturated Suction Temperature °F		Condenser Entering Air Temperature °F							
		55	65	75	85	95	105	115	125
<b>N4A330</b>									
30	TCG	25.40	24.00	22.60	21.10	19.60	18.00	16.40	14.60
	SDT	74.40	83.60	92.90	102.10	111.40	120.80	130.20	139.60
	KW	1.35	1.52	1.70	1.91	2.13	2.37	2.63	2.89
35	TCG	28.00	26.50	24.90	23.40	21.70	20.00	18.30	16.40
	SDT	75.90	85.00	94.20	103.40	112.60	121.90	131.20	140.50
	KW	1.35	1.52	1.71	1.92	2.15	2.39	2.65	2.92
40	TCG	30.70	29.10	27.40	25.70	24.00	22.20	20.30	18.40
	SDT	77.40	86.50	95.60	104.70	113.80	123.00	132.20	141.40
	KW	1.35	1.53	1.72	1.93	2.15	2.40	2.67	2.95
45	TCG	33.50	31.80	30.00	28.20	26.30	24.40	22.40	20.30
	SDT	79.00	88.00	97.00	106.10	115.10	124.20	133.30	142.30
	KW	1.36	1.53	1.72	1.93	2.16	2.42	2.69	2.97
50	TCG	36.50	34.60	32.70	30.70	28.70	26.70	24.60	22.30
	SDT	80.70	89.70	98.50	107.50	116.40	125.40	134.30	143.20
	KW	1.36	1.54	1.73	1.94	2.17	2.43	2.70	2.99
55	TCG	39.50	37.40	35.30	33.20	31.10	29.00	26.70	24.30
	SDT	82.40	91.30	100.10	108.90	117.80	126.60	135.40	144.20
	KW	1.37	1.54	1.74	1.95	2.18	2.44	2.71	3.00
<b>N4A336</b>									
30	TCG	30.30	28.80	27.20	25.50	23.80	22.00	20.00	18.00
	SDT	73.20	82.20	91.40	100.60	109.90	119.10	128.40	137.80
	KW	1.65	1.85	2.07	2.30	2.57	2.88	3.25	3.68
35	TCG	33.50	31.80	30.10	28.30	26.40	24.40	22.30	20.10
	SDT	74.80	83.80	92.80	102.00	111.10	120.30	129.50	138.70
	KW	1.66	1.87	2.08	2.32	2.59	2.90	3.26	3.69
40	TCG	37.00	35.10	33.20	31.20	29.20	27.00	24.80	22.40
	SDT	76.60	85.50	94.40	103.40	112.40	121.50	130.60	139.70
	KW	1.68	1.89	2.10	2.34	2.61	2.92	3.28	3.70
45	TCG	40.70	38.60	36.50	34.30	32.10	29.80	27.40	24.80
	SDT	78.60	87.20	96.00	104.90	113.80	122.80	131.80	140.80
	KW	1.70	1.91	2.13	2.37	2.63	2.94	3.30	3.72
50	TCG	44.60	42.30	40.00	37.70	35.30	32.80	30.20	27.40
	SDT	80.50	89.10	97.80	106.50	115.30	124.20	133.00	141.90
	KW	1.73	1.94	2.16	2.40	2.66	2.97	3.32	3.73
55	TCG	48.80	46.30	43.80	41.30	38.70	36.00	33.20	30.20
	SDT	82.60	91.10	99.60	108.20	116.90	125.60	134.30	143.00
	KW	1.77	1.97	2.19	2.43	2.70	3.00	3.35	3.76

TCG = Gross Cooling Capacity (x 1000 BTU/hr)  
 SDT = Saturated Temperature Leaving Compressor  
 kW = Outdoor Unit Kilowatts

Data for Condenser Only (Cooling)									
Saturated Suction Temperature °F		Condenser Entering Air Temperature °F							
		55	65	75	85	95	105	115	125
<b>N4A342</b>									
30	TCG	38.00	36.00	33.90	31.90	29.70	27.60	25.30	22.90
	SDT	73.20	82.30	91.40	100.60	109.80	119.10	128.40	137.70
	KW	1.95	2.20	2.48	2.80	3.14	3.53	3.95	4.41
35	TCG	41.90	39.70	37.40	35.10	32.80	30.50	28.00	25.50
	SDT	74.80	83.70	92.80	101.90	111.00	120.20	129.40	138.60
	KW	1.97	2.22	2.50	2.81	3.16	3.54	3.97	4.43
40	TCG	46.00	43.60	41.10	38.70	36.20	33.60	30.90	28.10
	SDT	76.40	85.20	94.20	103.20	112.20	121.30	130.40	139.50
	KW	1.98	2.23	2.52	2.83	3.18	3.56	3.98	4.44
45	TCG	50.30	47.70	45.10	42.40	39.60	36.80	33.90	30.90
	SDT	78.10	86.90	95.70	104.60	113.50	122.50	131.40	140.40
	KW	2.01	2.26	2.54	2.85	3.19	3.58	4.00	4.45
50	TCG	54.90	52.10	49.20	46.20	43.20	40.20	37.00	33.60
	SDT	80.00	88.60	97.20	106.00	114.80	123.70	132.50	141.30
	KW	2.03	2.28	2.56	2.87	3.21	3.60	4.01	4.47
55	TCG	59.70	56.60	53.40	50.20	46.90	43.50	40.10	36.40
	SDT	81.90	90.30	98.90	107.50	116.20	124.90	133.60	142.20
	KW	2.06	2.30	2.58	2.89	3.23	3.62	4.03	4.48
<b>N4A348</b>									
30	TCG	41.10	38.90	36.70	34.40	32.10	29.70	27.20	24.50
	SDT	73.80	83.00	92.30	101.60	111.00	120.40	129.70	139.10
	KW	2.19	2.46	2.76	3.10	3.47	3.87	4.30	4.76
35	TCG	45.20	42.80	40.50	38.00	35.50	32.90	30.20	27.40
	SDT	75.30	84.40	93.70	102.90	112.20	121.50	130.80	140.00
	KW	2.22	2.49	2.79	3.13	3.50	3.90	4.34	4.81
40	TCG	49.60	47.10	44.50	41.90	39.20	36.40	33.50	30.40
	SDT	76.90	86.00	95.10	104.30	113.40	122.60	131.80	141.00
	KW	2.24	2.51	2.82	3.15	3.53	3.93	4.38	4.85
45	TCG	54.30	51.60	48.80	46.00	43.10	40.10	36.90	33.60
	SDT	78.50	87.50	96.60	105.70	114.70	123.80	132.90	142.00
	KW	2.27	2.54	2.85	3.19	3.56	3.97	4.41	4.89
50	TCG	59.30	56.40	53.40	50.30	47.10	43.90	40.50	36.90
	SDT	80.20	89.20	98.10	107.10	116.10	125.10	134.10	143.00
	KW	2.30	2.58	2.88	3.22	3.59	4.00	4.45	4.92
55	TCG	64.60	61.40	58.10	54.80	51.40	47.90	44.20	40.30
	SDT	82.10	91.00	99.80	108.70	117.50	126.40	135.20	144.00
	KW	2.34	2.61	2.92	3.25	3.63	4.04	4.48	4.96

TCG = Gross Cooling Capacity (x 1000 BTU/hr)

SDT = Saturated Temperature Leaving Compressor

kW = Outdoor Unit Kilowatts



Data for Condenser Only (Cooling)									
Saturated Suction Temperature °F		Condenser Entering Air Temperature °F							
		55	65	75	85	95	105	115	125
<b>N4A360</b>									
30	TCG	54.90	51.90	49.00	46.00	42.90	39.80	36.50	33.10
	SDT	77.60	86.40	95.30	104.20	113.20	122.20	131.20	140.20
	KW	2.73	3.07	3.45	3.88	4.34	4.85	5.41	6.01
35	TCG	60.30	57.10	53.90	50.70	47.30	43.90	40.30	36.50
	SDT	79.50	88.20	97.00	105.80	114.70	123.60	132.50	141.30
	KW	2.79	3.13	3.51	3.94	4.40	4.92	5.48	6.08
40	TCG	66.00	62.60	59.10	55.50	51.90	48.20	44.30	40.10
	SDT	81.60	90.20	98.80	107.50	116.30	125.00	133.80	142.50
	KW	2.86	3.20	3.58	4.00	4.47	4.98	5.54	6.15
45	TCG	72.10	68.30	64.50	60.70	56.70	52.60	48.40	43.80
	SDT	83.80	92.20	100.70	109.30	117.90	126.50	135.10	143.60
	KW	2.93	3.27	3.65	4.08	4.54	5.06	5.61	6.21
50	TCG	78.50	74.40	70.20	66.00	61.60	57.20	52.50	47.50
	SDT	86.10	94.40	102.70	111.20	119.60	128.10	136.50	144.80
	KW	3.01	3.35	3.73	4.15	4.62	5.13	5.68	6.27
55	TCG	85.10	80.60	76.10	71.40	66.70	61.80	56.70	51.20
	SDT	88.60	96.60	104.80	113.10	121.40	129.70	137.90	146.00
	KW	3.09	3.44	3.81	4.24	4.70	5.21	5.75	6.34

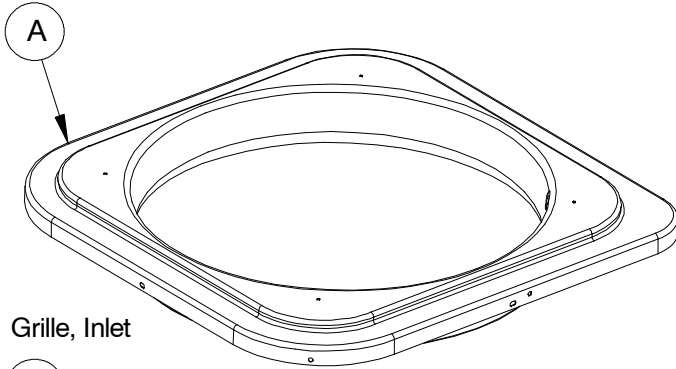
TCG = Gross Cooling Capacity (x 1000 BTU/hr)  
 SDT = Saturated Temperature Leaving Compressor  
 kW = Outdoor Unit Kilowatts

N4A3 PARTS LIST									
KEY NO.	DESCRIPTION	FAST PARTS NO.	N4A318*KB300	N4A324*KB200	N4A330*KC200	N4A336*KB200	N4A342*KA300	N4A348*KB200	N4A360*KC300
01	COMP ZP16K5E-PFV-130	ZP16K5EPFV130	1	-	-	-	-	-	-
01	COMP ZP29K5E-PFV-130	ZP29K5EPFV130	-	-	-	1	-	-	-
01	COMPRESSOR	ZP20K5EPFV130	-	1	-	-	-	-	-
01	COMPRESSOR	ZP24K5EPFV130	-	-	1	-	-	-	-
01	COMPRESSOR	ZP36K5EPFV130	-	-	-	-	1	-	-
01	COMPRESSOR	ZP39K5EPFV130	-	-	-	-	-	1	-
01	COMPRESSOR	ZP51K5EPFV130	-	-	-	-	-	-	1
02	MTR CND 1/208-230 1/4 825	1178686	-	-	-	-	-	-	1
02	MTR CND 1/230 1/10 1100	1172707	-	1	1	-	-	-	-
02	MTR CND 1/230 1/12 1100	1172706	1	-	-	-	-	-	-
02	MTR CND 1/230 1/4	1172709	-	-	-	1	-	1	-
02	MTR CND 1/230 1/5	1172775	-	-	-	-	1	-	-
03	BLADE FAN	1177809	-	-	-	-	-	-	1
03	FAN C 18" 2B 1/2" 23 INT	1172027	1	-	-	-	-	-	-
03	FAN C 18" 3B 1/2" 26 INT	1174760	-	1	1	-	-	-	-
03	FAN C 20" 3B 1/2" 28 INT	1172714	-	-	-	1	-	-	-
03	FAN C 24" 2B 1/2" 18 INT	1172713	-	-	-	-	1	-	-
03	FAN C 24" 3B 1/2" 19 INT	1173854	-	-	-	-	-	1	-
04	CONTACTOR 1P 30A 24V W/SHUNT	1172472	1	1	1	1	1	1	-
04	CONTACTOR 1P 40A	1176763	-	-	-	-	-	-	1
05	CAP RN RD 370V 5+30	1172109	1	-	-	-	-	-	-
05	CAP RN RD 370V 5+35	1172110	-	1	-	-	-	-	-
05	CAP RN RD 370V 5+40	1172147	-	-	1	-	-	-	-
05	CAP RN RD 370V 5+45	1172124	-	-	-	1	1	1	-
05	CAP RN RD 370V 7.5+70	1172295	-	-	-	-	-	-	1
06	COIL ASY COND	1179185	1	-	-	-	-	-	-
06	COND COIL REPLACEMENT KIT	1172719	-	-	-	-	1	-	-
06	KIT REPLACEMENT COND COIL	1176801	-	-	-	1	-	-	-
06	KIT REPLM COIL	1177843	-	1	-	-	-	-	-
06	KIT REPLM COIL	1177846	-	-	1	-	-	-	-
06	KIT REPLM COIL	1178055	-	-	-	-	-	1	-
06	KIT REPLM COIL	1178685	-	-	-	-	-	-	1
07	VALVE SVC PARK SUC 12S-12S	1172726	1	1	1	-	-	-	-
07	VALVE SVC PARK SUC 14S-14S	1172727	-	-	-	1	1	1	1
08	VALVE SVC PARK LIQ 06S-06S	1172728	1	1	1	1	1	1	1
09	PLUG COMP WIRE (SM) 10GAx54"	1172732	-	-	-	-	-	-	1
09	PLUG COMP WIRE (SM) 12GAx38"	1172730	-	-	1	-	1	-	-
09	PLUG COMP WIRE (SM) 12GAx44"	1172731	-	-	-	1	-	-	-
09	PLUG COMP WIRE (SM) 14GAx38"	1172729	1	1	-	-	-	-	-
09	PLUG COMPRESSOR	1176563	-	-	-	-	-	1	-
10	GROMMET COMPRESSOR 1.62"DIA	1171270	4	4	4	4	4	4	4
11	BOLT SHLDR COMP. MTG,	1173630	4	4	4	4	4	4	4
20	DISTRIBUTOR	1172021	-	-	-	-	-	1	1
24	FILTER DRIER ASSY	1174195	-	-	-	-	-	-	1
24	FILTER DRIER KIT	1174727	1	1	1	1	1	1	-
32	RACEWAY	1173642	-	-	-	1	-	-	-
32	RACEWAY	1177839	1	1	1	-	-	-	-
32	RACEWAY	1171428	-	-	-	-	1	1	1
33	LUG GROUND	1172300	1	1	1	1	1	1	1
34	HARNESS WIRE ASY	1172736	1	1	1	1	1	1	1
A	TOP COVER ASY	1178601	-	-	-	1	-	-	-
A	TOP COVER ASY	1178643	-	-	-	-	1	1	1
A	TOP COVER ASY	1178668	1	1	1	-	-	-	-
B	NUT CAP HEX	1172740	4	4	4	4	4	4	4

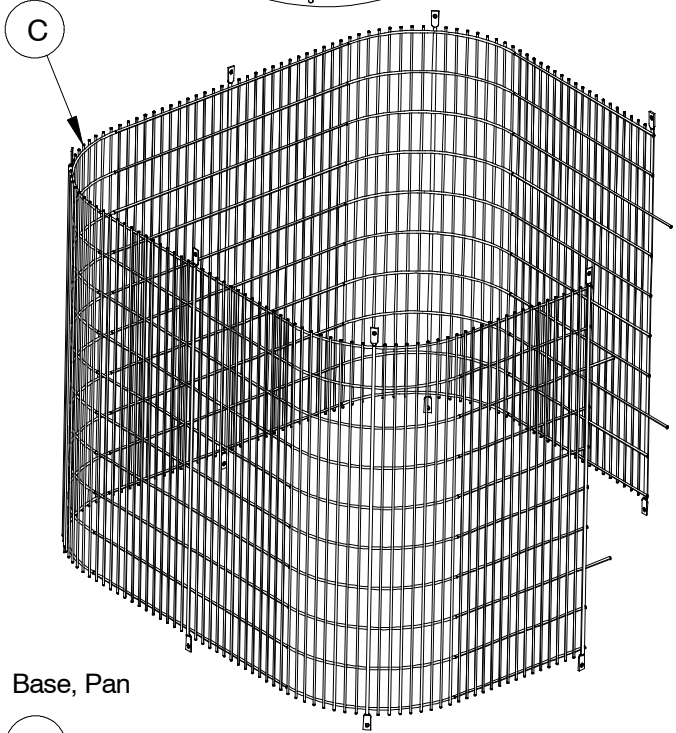
N4A3 PARTS LIST (continued)									
KEY NO.	DESCRIPTION	FAST PARTS NO.	N4A318*KB300	N4A324*KB200	N4A330*KC200	N4A336*KB200	N4A342*KA300	N4A348*KB200	N4A360*KC300
C	GRILLE INLET (*=A)	1178649	-	-	-	-	1	-	-
C	GRILLE INLET (*=A)	1178655	-	-	-	1	-	-	-
C	GRILLE INLET (*=A)	1178656	-	-	-	-	-	1	-
C	GRILLE INLET (*=A)	1178659	1	1	-	-	-	-	-
C	GRILLE INLET (*=A)	1178683	-	-	1	-	-	-	-
C	GRILLE INLET (*=A)	1178687	-	-	-	-	-	-	1
C	GRILLE INLET (*=G)	1178651	-	-	-	-	1	-	-
C	GRILLE INLET (*=G)	1178657	-	-	-	1	-	-	-
C	GRILLE INLET (*=G)	1178658	-	-	-	-	-	1	-
C	GRILLE INLET (*=G)	1178660	1	1	-	-	-	-	-
C	GRILLE INLET (*=G)	1178688	-	-	1	-	-	-	-
C	GRILLE INLET (*=G)	1178689	-	-	-	-	-	-	1
D	BOX CONTROL	1172753	1	1	1	1	1	1	1
E	KIT CONTROL BOX COVER	1178694	-	-	-	-	-	-	1
E	KIT COVER CONTROL BOX	1178647	-	-	-	-	1	-	-
E	KIT COVER CONTROL BOX	1178664	-	-	-	1	-	-	-
E	KIT COVER CONTROL BOX	1178665	-	-	-	-	-	1	-
E	KIT COVER CONTROL BOX	1178666	1	-	-	-	-	-	-
E	KIT COVER CONTROL BOX	1178667	-	1	-	-	-	-	-
E	KIT COVER CONTROL BOX	1178682	-	-	1	-	-	-	-
F	SVCE PNL ASSY	1178323	1	1	-	-	-	-	1
F	SVCE PNL ASSY	1178324	-	-	1	-	-	-	-
F	SVCE PNL ASSY	1178325	-	-	-	-	-	1	-
F	SVCE PNL ASSY	1178528	-	-	-	1	1	-	-
G	BASE PAN ASSY	1178308	-	-	-	-	1	1	1
G	BASE PAN ASSY	1178310	1	1	1	-	-	-	-
G	BASE PAN ASSY	1178653	-	-	-	1	-	-	-
L	GUARD FAN	1178640	-	-	-	1	-	-	-
L	GUARD FAN	1178644	-	-	-	-	1	-	1
L	GUARD FAN	1178661	1	1	1	-	-	-	-
L	GUARD FAN	1178663	-	-	-	-	-	1	-
N	SUPPORT COIL	1174068	3	3	3	3	5	5	5
P	CLAMP CAPACITOR ROUND 2.0"D	1172734	1	1	1	1	1	1	-
P	CLAMP CAPACITOR ROUND 2.5"D	1172735	-	-	-	-	-	-	1
<b>PARTS NOT SHOWN</b>									
)	CAP SERVICE KIT 11/16-20	1175650	1	1	1	1	1	1	1
)	CAP SERVICE KIT 1-1/16-20	1175652	-	-	-	1	1	1	1
)	CAP SERVICE KIT 15/16-20	1175651	1	1	1	-	-	-	-
)	DRIER FILTER SUCT LINE 15.0 CI	1174193	-	-	-	-	1	1	1
)	DRIER FILTER SUCT LINE 8.0 CI	1174194	1	1	1	1	-	-	-
)	FILTER DRIER ASSY	1173955	1	1	1	1	1	1	-
)	FILTER DRIER ASSY	1173980	-	-	-	-	-	-	1
)	GROMMET	1171737	1	1	1	1	1	1	1
)	PAINT TOUCH UP BALTIC GRY 1 PT	1178322	1	1	1	1	1	1	1
)	SCREW HEX HD 10AB X 3/8	1176782	14	14	14	14	14	14	14
)	SCREW HEX HEAD 12AB 5/8	1178281	4	4	4	4	4	4	4
)	SCREW HX HEAD 10AB 1/2	1178280	12	12	12	12	12	12	12

NOTE: This illustration is for reference only. Your unit may differ in appearance or may not include all components shown. Please refer to Parts List for exact parts listing.

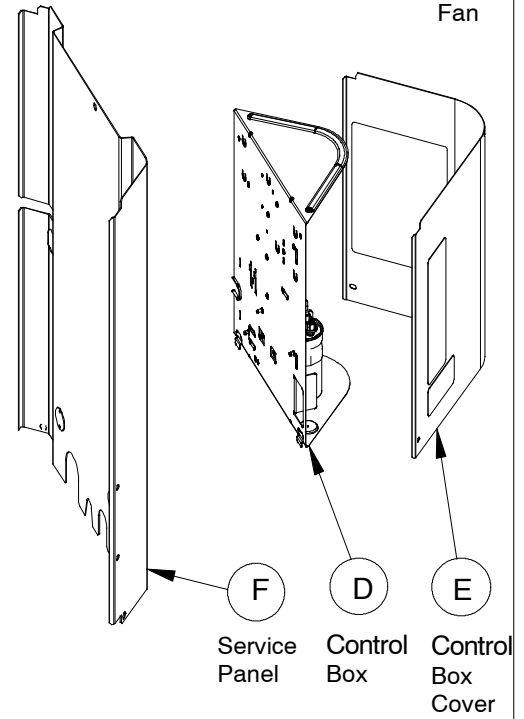
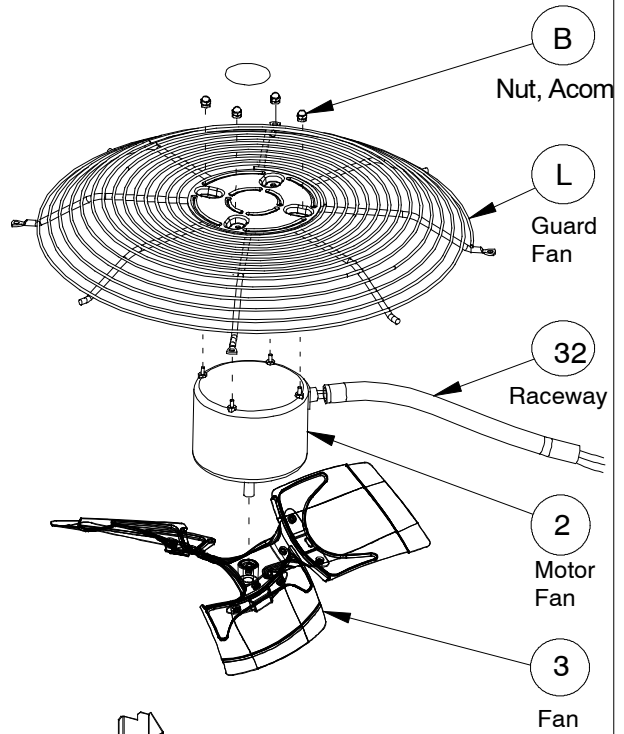
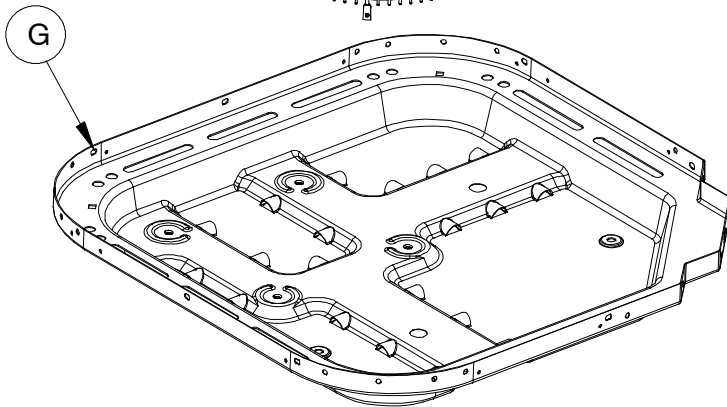
Top, Cover



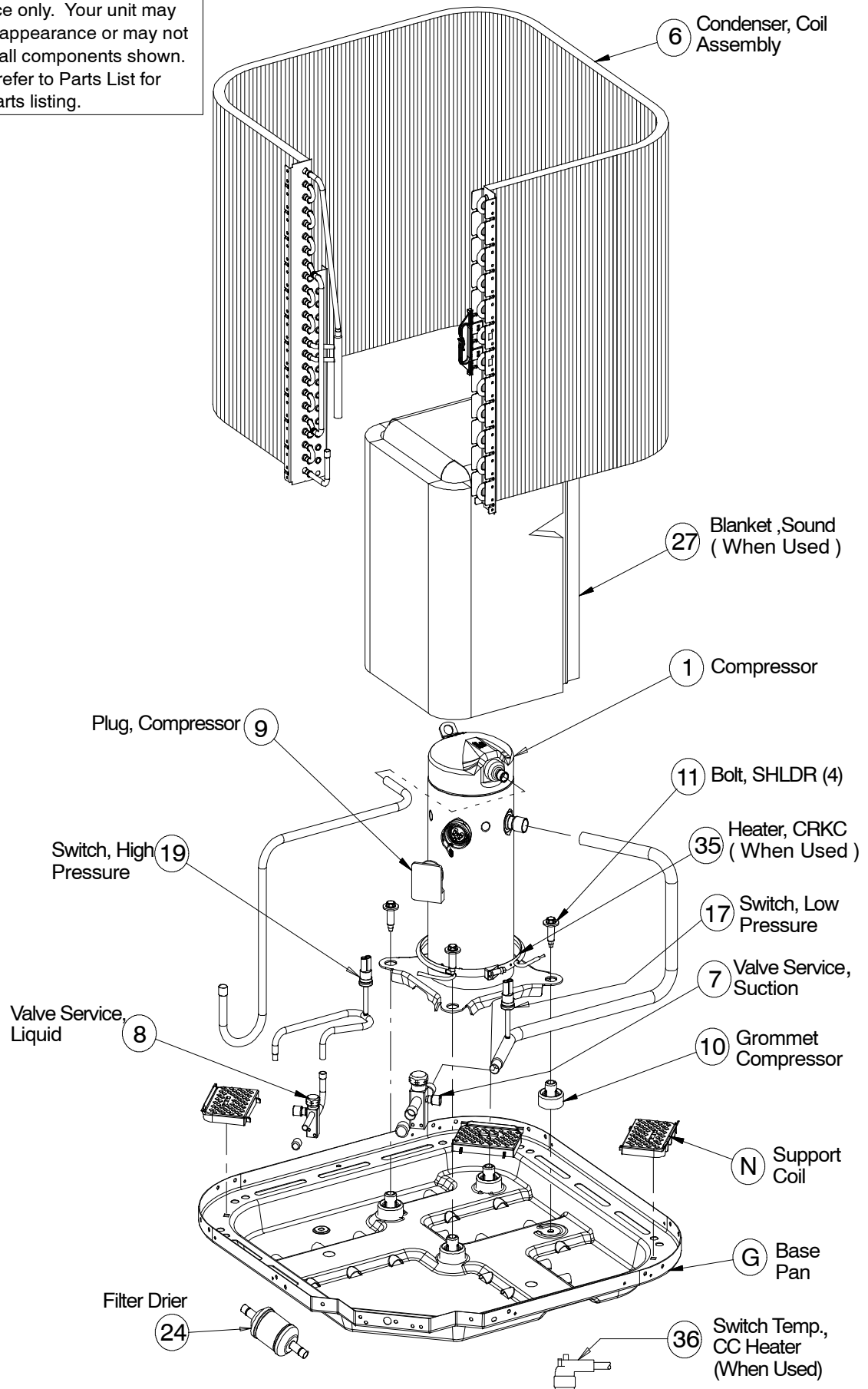
Grille, Inlet



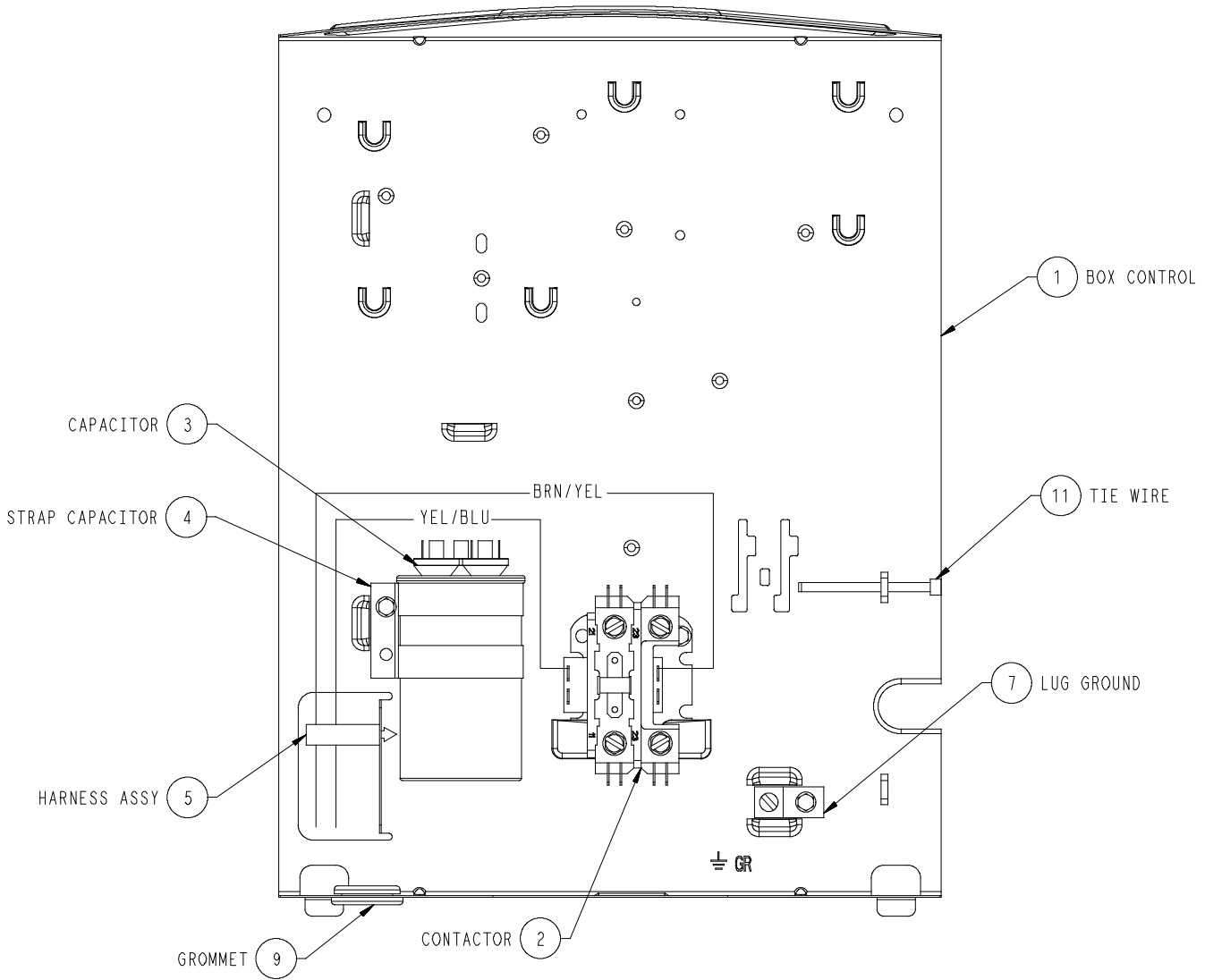
Base, Pan



NOTE: This illustration is for reference only. Your unit may differ in appearance or may not include all components shown. Please refer to Parts List for exact parts listing.



NOTE: This illustration is for reference only. Your unit may differ in appearance or may not include all components shown. Please refer to Parts List for exact parts listing.



COOLING Multiplying Factors for other Indoor Combinations

N4A318

Indoor Model	Furnace Model	CAPACITY (MBh)	Power (AMPS)	Indoor Model	Furnace Model	CAPACITY (MBh)	Power (AMPS)
*ED*4X18B**		1.00	1.00	EN(A,D)4X18*14**	*9MX*0401410A**	1.02	0.94
EA*4X18*14A*	*8MX*0451408**	1.03	0.93	EN(A,D)4X18*14**	*9MV*0401410A**	1.02	0.95
EA*4X18*14A*	*8MV*0701412**	1.02	0.92	EN(A,D)4X18*14**		1.02	1.01
EA*4X18*14A*	*9MX*0401410A**	1.01	0.94	EN(A,D)4X19*17**	*8MX*0451408**	1.05	0.95
EA*4X18*14A*	*9MV*0401410A**	1.02	0.96	EN(A,D)4X19*17**	*8MV*0701412**	1.05	0.95
EA*4X18*14A*		1.02	1.02	EN(A,D)4X19*17**	*8MV*0901716**	1.05	0.95
EA*4X24*14A*	*8MX*0451408**	1.06	0.96	EN(A,D)4X19*17**	*9MX*0401410A**	1.04	0.95
EA*4X24*14A*	*8MV*0701412**	1.03	0.94	EN(A,D)4X19*17**	*9MV*0401410A**	1.05	0.96
EA*4X24*14A*	*9MX*0401410A**	1.03	0.94	EN(A,D)4X19*17**	*9MV*0601714A**	1.07	0.93
EA*4X24*14A*	*9MV*0401410A**	1.04	0.96	EN(A,D)4X19*17**	*9MV*0801716A**	1.08	0.94
EA*4X24*14A*		1.04	1.03	EN(A,D)4X19*17**	*9MA*0601714A**	1.05	0.95
EA*4X24*17A*	*8MX*0451408**	1.06	0.96	EN(A,D)4X19*17**	*9MA*0801714A**	1.04	0.91
EA*4X24*17A*	*8MV*0701412**	1.03	0.94	EN(A,D)4X19*17**	*9MVX040	1.05	0.93
EA*4X24*17A*	*8MV*0901716**	1.04	0.95	EN(A,D)4X19*17**	OLV098A12A	1.05	0.93
EA*4X24*17A*	*9MX*0401410A**	1.03	0.94	EN(A,D)4X19*17**	OMV098J12A	1.05	0.93
EA*4X24*17A*	*9MV*0401410A**	1.05	0.97	EN(A,D)4X19*17**	*9MPV050	1.05	0.93
EA*4X24*17A*	*9MV*0601714A**	1.06	0.93	EN(A,D)4X19*17**		1.05	1.04
EA*4X24*17A*	*9MV*0801716A**	1.06	0.93	EN(A,D)4X19*17**	*8MPV050	1.05	0.95
EA*4X24*17A*	*9MA*0601714A**	1.03	0.94	EN(A,D)4X24*14**	*8MX*0451408**	1.05	0.93
EA*4X24*17A*	*9MA*0801714A**	1.03	0.94	EN(A,D)4X24*14**	*8MV*0701412**	1.03	0.92
EA*4X24*17A*		1.04	1.03	EN(A,D)4X24*14**	*9MX*0401410A**	1.03	0.95
ED*4X18B**	*8MX*0451408**	1.03	0.94	EN(A,D)4X24*14**	*9MV*0401410A**	1.04	0.96
ED*4X18B**	*8MV*0701412**	1.02	0.92	EN(A,D)4X24*14**		1.04	1.03
ED*4X18B**	*9MX*0401410A**	1.01	0.94	EN(A,D)4X24*17**	*8MV*0901716**	1.03	0.92
ED*4X18B**	*9MV*0401410A**	1.02	0.96	EN(A,D)4X24*17**	*9MX*0401410A**	1.03	0.95
ED*4X18B**	*8MPV050	1.05	0.95	EN(A,D)4X24*17**	*9MV*0401410A**	1.04	0.96
ED*4X18B**	MV08B15**B*	1.00	0.89	EN(A,D)4X24*17**	*9MV*0601714A**	1.05	0.95
ED*4X24B**	*8MX*0451408**	1.05	0.93	EN(A,D)4X24*17**	*9MV*0801716A**	1.05	0.93
ED*4X24B**	*8MV*0701412**	1.03	0.92	EN(A,D)4X24*17**	*9MA*0601714A**	1.04	0.95
ED*4X24B**	*9MX*0401410A**	1.03	0.94	EN(A,D)4X24*17**	*9MA*0801714A**	1.03	0.94
ED*4X24B**	*9MV*0401410A**	1.04	0.96	EN(A,D)4X24*17**	*9MVX040	1.05	0.95
ED*4X24B**		1.00	1.00	EN(A,D)4X24*17**	OLV098A12A	1.03	0.92
ED*4X24B**	*8MPV050	1.07	0.96	EN(A,D)4X24*17**	OMV098J12A	1.05	0.93
ED*4X24B**	MV08B15**B*	1.00	0.89	EN(A,D)4X24*17**		1.04	1.03

COOLING Multiplying Factors for other Indoor Combinations

Indoor Model	Furnace Model	CAPACITY (MBh)	Power (AMPS)	Indoor Model	Furnace Model	CAPACITY (MBh)	Power (AMPS)
ED*4X24F**	*8MV*0901716**	1.03	0.92	EN(A,D)4X24*17**	*9MPV050	1.05	0.95
ED*4X24F**	*9MV*0601714A**	1.06	0.93	ENH4X24*17**	*8MX*0451408**	1.03	0.92
ED*4X24F**	*9MV*0801716A**	1.06	0.93	ENH4X24*17**	*8MV*0701412**	1.03	0.92
ED*4X24F**	*9MV*0802120A**	1.08	0.94	ENH4X24*17**	*8MV*0901716**	1.03	0.92
ED*4X24F**	*9MV*1002120A**	1.09	0.95	ENH4X24*17**	*9MX*0401410A**	1.03	0.95
ED*4X24F**	*9MA*0601714A**	1.04	0.95	ENH4X24*17**	*9MV*0401410A**	1.04	0.96
ED*4X24F**	*9MA*0801714A**	1.03	0.94	ENH4X24*17**	*9MV*0601714A**	1.05	0.95
ED*4X24F**	*9MA*0602120A**	1.04	0.95	ENH4X24*17**	*9MV*0801716A**	1.05	0.93
ED*4X24F**	*9MVX040	1.08	0.97	ENH4X24*17**	*9MV*1202422A**	1.06	0.93
ED*4X24F**	*9MVX060	1.08	0.97	ENH4X24*17**	*9MA*0601714A**	1.04	0.95
ED*4X24F**	*9MV*1002116A**	1.07	0.93	ENH4X24*17**	*9MA*0801714A**	1.03	0.94
ED*4X24F**	OLV098A12A	1.05	0.93	ENH4X24*17**	*9MVX040	1.05	0.95
ED*4X24F**	OMV098J12A	1.05	0.93	ENH4X24*17**	*9MVX060	1.05	0.95
ED*4X24F**	*9MPV050	1.00	1.00	ENH4X24*17**	*9MV*1002116A**	1.06	0.94
ED*4X24F**	*9MPV075	1.07	0.96	ENH4X24*17**	OLV098A12A	1.03	0.92
EHD4X24A**	*9MX*0401410A**	1.03	0.94	ENH4X24*17**	OMV098J12A	1.05	0.93
EHD4X24A**	*9MV*0401410A**	1.05	0.97	ENH4X24*17**	*9MPV050	1.04	1.03
EHD4X24A**	*9MV*0601714A**	1.05	0.95	ENH4X24*17**	*9MPV075	1.05	0.95
EHD4X24A**	*9MV*0801716A**	1.05	0.93	FEA4X18**A*		1.05	0.95
EHD4X24A**	*9MV*0802120A**	1.06	0.93	FEA4X24**A*		1.05	0.93
EHD4X24A**	*9MV*1002120A**	1.07	0.93	FEM4P18**A*		1.03	0.94
EHD4X24A**	*9MV*1202422A**	1.07	0.94	FEM4P18**A*		1.03	0.94
EHD4X24A**	*9MA*0601714A**	1.05	0.95	FEM4P24**A*		1.03	0.94
EHD4X24A**	*9MA*0801714A**	1.04	0.95	FEM4P24**A*		1.03	0.94
EHD4X24A**	*9MA*0602120A**	1.05	0.96	FEM4X18****		1.00	0.91
EHD4X24A**	*9MVX040	1.08	0.98	FEM4X24****		1.00	0.89
EHD4X24A**	*9MVX060	1.08	0.97	FS(M,U)4P18**A*		1.03	1.03
EHD4X24A**	*9MV*1002116A**	1.06	0.94	FS(M,U)4P18**A*		1.03	1.03
EHD4X24A**	OLV098A12A	1.05	0.93	FS(M,U)4P24**A*		1.03	1.03
EHD4X24A**	OMV098J12A	1.05	0.93	FS(M,U)4P24**A*		1.03	1.03
EHD4X24A**	*8MPV050	1.00	1.00	FS(M,U)4X18****		1.00	1.00
EHD4X24A**	*9MPV050	1.00	0.89	FS(M,U)4X24****		1.05	1.05
EHD4X24A**	*9MPV075	1.00	0.89	FSA4X18**A*		1.00	1.00
EHD4X24A**	*9MPV075	1.00	0.91	FSA4X24**A*		1.00	1.00



COOLING Multiplying Factors for other Indoor Combinations

Indoor Model	Furnace Model	CAPACITY (MBh)	Power (AMPS)	Indoor Model	Furnace Model	CAPACITY (MBh)	Power (AMPS)
EHD4X24A**	MV08B15**B*	1.00	0.89	FVM4X24***		1.00	0.89
EMA4X24D**		1.00	1.00	FXM4X18**A*		1.05	0.95
EN(A,D)4X18*14**	*8MX*0451408**	1.03	0.94	FXM4X24**A*		1.06	0.96
EN(A,D)4X18*14**	*8MV*0701412**	1.02	0.92	FXM4X30**A*		1.06	0.96

COOLING Multiplying Factors for other Indoor Combinations

Indoor Model	Furnace Model	CAPACITY (MBh)	Power (AMPS)	Indoor Model	Furnace Model	CAPACITY (MBh)	Power (AMPS)
<b>N4A324</b>							
*ED*4X24B**		1.00	1.00	EHD4X36A**	*8MPV075	1.03	0.93
EA*4X24*14A*	*8MX*0451408**	1.00	0.92	EMA4X24D**		1.00	1.00
EA*4X24*14A*	*8MV*0701412**	0.99	0.91	EN(A,D)4X24*14**	*8MX*0451408**	1.00	0.94
EA*4X24*14A*	*9MX*0401410A**	1.00	1.00	EN(A,D)4X24*14**	*8MV*0701412**	0.99	0.93
EA*4X24*14A*	*9MV*0401410A**	0.99	0.96	EN(A,D)4X24*14**	*9MX*0401410A**	1.00	1.00
EA*4X24*14A*	*8MX*0451408**	1.00	1.00	EN(A,D)4X24*14**	*9MV*0401410A**	0.99	0.96
EA*4X24*17A*	*8MV*0701412**	1.01	0.92	EN(A,D)4X24*14**		1.00	1.00
EA*4X24*17A*	*8MV*0901716**	0.99	0.91	EN(A,D)4X24*17**	*8MV*0901716**	0.99	0.91
EA*4X24*17A*	*8MV*0901716**	1.00	0.92	EN(A,D)4X24*17**	*9MX*0401410A**	1.00	1.00
EA*4X24*17A*	*9MX*0401410A**	1.00	1.00	EN(A,D)4X24*17**	*9MX*0601714A**	0.99	0.91
EA*4X24*17A*	*9MV*0601714A**	1.00	0.92	EN(A,D)4X24*17**	*9MV*0401410A**	0.99	0.96
EA*4X24*17A*	*9MX*0601714A**	1.00	0.92	EN(A,D)4X24*17**	*9MV*0601714A**	0.99	0.92
EA*4X24*17A*	*9MV*0801716A**	1.00	0.92	EN(A,D)4X24*17**	*9MA*0601714A**	0.99	0.92
EA*4X24*17A*	*9MA*0601714A**	1.00	0.92	EN(A,D)4X24*17**	*9MA*0801714A**	0.99	0.91
EA*4X24*17A*	*9MA*0801714A**	0.99	0.91	EN(A,D)4X24*17**	*9MVX040	1.00	0.96
EA*4X24*17A*		1.00	1.00	EN(A,D)4X24*17**	OLV098A12A	1.00	0.94
EA*4X30*14A*	*8MX*0451408**	1.02	0.93	EN(A,D)4X24*17**	OMV098J12A	1.00	0.94
EA*4X30*14A*	*8MV*0701412**	1.00	0.92	EN(A,D)4X24*17**	OMV112K14A	1.00	0.94
EA*4X30*14A*	*9MX*0401410A**	1.01	0.99	EN(A,D)4X24*17**		1.00	1.00
EA*4X30*14A*	*9MV*0401410A**	1.00	0.96	EN(A,D)4X24*17**	*9MPV050	1.00	0.96
EA*4X30*14A*	*8MX*0451408**	1.01	1.01	EN(A,D)4X30*14**	*8MX*0451408**	1.01	0.92
EA*4X30*17A*	*8MV*0701412**	1.02	0.93	EN(A,D)4X30*14**	*8MV*0701412**	1.00	0.92
EA*4X30*17A*	*8MV*0901716**	1.00	0.92	EN(A,D)4X30*14**	*9MX*0401410A**	1.01	0.99
EA*4X30*17A*	*9MX*0401410A**	1.01	0.92	EN(A,D)4X30*14**	*9MV*0401410A**	1.00	0.96
EA*4X30*17A*	*9MV*0601714A**	1.02	1.00	EN(A,D)4X30*14**		1.01	1.01
EA*4X30*17A*	*9MX*0601714A**	1.01	0.92	EN(A,D)4X30*17**	*8MV*0901716**	1.01	0.91

COOLING Multiplying Factors for other Indoor Combinations

Indoor Model	Furnace Model	CAPACITY (MBh)	Power (AMPS)	Indoor Model	Furnace Model	CAPACITY (MBh)	Power (AMPS)
EA*4X30*17A*	*9MV*0401410A**	1.00	0.96	EN(A,D)4X30*17**	*9MX*0401410A**	1.02	1.00
EA*4X30*17A*	*9MV*0601714A**	1.01	0.92	EN(A,D)4X30*17**	*9MX*0601714A**	1.01	0.92
EA*4X30*17A*	*9MV*0801716A**	1.02	0.93	EN(A,D)4X30*17**	*9MV*0401410A**	1.00	0.96
EA*4X30*17A*	*9MA*0601714A**	1.01	0.92	EN(A,D)4X30*17**	*9MV*0601714A**	1.01	0.92
EA*4X30*17A*	*9MA*0801714A**	1.00	0.92	EN(A,D)4X30*17**	*9MV*0801716A**	1.02	0.93
EA*4X36*17A*		1.01	1.01	EN(A,D)4X30*17**	*9MA*0601714A**	1.01	0.92
EA*4X36*17A*		1.01	1.01	EN(A,D)4X30*17**	*9MA*0801714A**	1.00	0.92
EA*4X36*21A*	*9MV*0802120A**	1.03	0.93	EN(A,D)4X30*17**	*9MVX040	1.02	0.96
EA*4X36*21A*	*9MV*1002120A**	1.04	0.94	EN(A,D)4X30*17**	*9MVX060	1.03	0.96
EA*4X36*21A*	*9MA*0601714A**	1.01	0.92	EN(A,D)4X30*17**	OLV098A12A	1.02	0.93
EA*4X36*21A*	*9MA*0801714A**	1.01	0.92	EN(A,D)4X30*17**	OMV098J12A	1.02	0.93
EA*4X36*21A*	*9MA*0802120A**	1.03	0.93	EN(A,D)4X30*17**	OMV112K14A	1.01	0.91
EA*4X36*21A*	*9MA*1002122A**	1.03	0.93	EN(A,D)4X30*17**		1.01	1.01
EA*4X36*21A*	*9MA*0602120A**	1.02	0.93	EN(A,D)4X30*17**	*9MPV050	1.02	0.96
EA*4X36*21A*	*9MA*1002120A**	1.02	0.93	EN(A,D)4X30*17**	*9MPV075	1.03	0.96
EA*4X36*21A*		1.02	1.02	EN(A,D)4X31*17**	*8MX*0451408**	1.02	0.93
ED*4X24B**	*8MX*0451408**	1.00	0.94	EN(A,D)4X31*17**	*8MV*0701412**	1.02	0.93
ED*4X24B**	*8MV*0701412**	0.99	0.91	EN(A,D)4X31*17**	*8MV*0901716**	1.02	0.93
ED*4X24B**	*9MX*0401410A**	1.00	1.00	EN(A,D)4X31*17**	*9MX*0401410A**	1.03	1.00
ED*4X24B**	*9MV*0401410A**	0.99	0.96	EN(A,D)4X31*17**	*9MX*0601714A**	1.03	0.91
ED*4X24B**	*8MPV050	1.00	0.96	EN(A,D)4X31*17**	*9MV*0401410A**	1.03	0.98
ED*4X24B**	MV08B15**B*	1.00	0.90	EN(A,D)4X31*17**	*9MV*0601714A**	1.03	0.94
ED*4X24F**	*8MV*0901716**	1.00	0.90	EN(A,D)4X31*17**	*9MV*0801716A**	1.03	0.91
ED*4X24F**	*9MX*0601714A**	1.00	0.92	EN(A,D)4X31*17**	*9MA*0601714A**	1.03	0.94
ED*4X24F**	*9MV*0601714A**	1.00	0.92	EN(A,D)4X31*17**	*9MA*0801714A**	1.02	0.90
ED*4X24F**	*9MV*0801716A**	1.00	0.92	EN(A,D)4X31*17**	*9MVX040	1.03	0.95
ED*4X24F**	*9MV*0802120A**	1.01	0.92	EN(A,D)4X31*17**	*9MVX060	1.04	0.96
ED*4X24F**	*9MV*1002120A**	1.01	0.92	EN(A,D)4X31*17**	OLV098A12A	1.03	0.93
ED*4X24F**	*9MA*0601714A**	1.00	0.92	EN(A,D)4X31*17**	OMV098J12A	1.03	0.93
ED*4X24F**	*9MA*0801714A**	0.99	0.91	EN(A,D)4X31*17**	OMV112K14A	1.03	0.93
ED*4X24F**	*9MA*0802120A**	1.01	0.92	EN(A,D)4X31*17**	*9MPV050	1.03	0.95
ED*4X24F**	*9MA*1002122A**	1.01	0.92	EN(A,D)4X31*17**	*9MPV075	1.04	0.96
ED*4X24F**	*9MA*0602120A**	1.00	0.92	EN(A,D)4X31*17**		1.02	1.02
ED*4X24F**	*9MVX040	1.01	0.95	EN(A,D)4X31*17**	*8MPV050	1.02	0.93
ED*4X24F**	*9MVX060	1.02	0.96	EN(A,D)4X31*17**	*8MPV075	1.02	0.93

COOLING Multiplying Factors for other Indoor Combinations

Indoor Model	Furnace Model	CAPACITY (MBh)	Power (AMPS)	Indoor Model	Furnace Model	CAPACITY (MBh)	Power (AMPS)
ED*4X24F**	*9MV*1002116A**	0.99	0.91	EN(A,D)4X36*21**	*9MV*0802120A**	1.02	0.93
ED*4X24F**	*9MA*1002120A**	1.01	0.92	EN(A,D)4X36*21**	*9MV*1002120A**	1.03	0.93
ED*4X24F**	OLV098A12A	1.01	0.92	EN(A,D)4X36*21**	*9MA*0601714A**	1.01	0.92
ED*4X24F**	OMV098J12A	1.01	0.95	EN(A,D)4X36*21**	*9MA*0801714A**	1.00	0.92
ED*4X24F**	OMV112K14A	1.00	0.92	EN(A,D)4X36*21**	*9MA*0802120A**	1.02	0.93
ED*4X24F**	*8MPV075	1.00	1.00	EN(A,D)4X36*21**	*9MA*1002122A**	1.02	0.92
ED*4X24F**	*9MPV050	1.00	0.92	EN(A,D)4X36*21**	*9MA*0602120A**	1.01	0.92
ED*4X24F**	*9MPV075	1.00	0.94	EN(A,D)4X36*21**	*9MA*1002120A**	1.02	0.93
ED*4X24F**	MV12F19**B*	1.00	0.94	EN(A,D,W)4X36*17**	*8MX*0451408**	1.02	0.92
ED*4X30B**	*8MX*0451408**	1.02	0.90	EN(A,D,W)4X36*17**	*8MX*0451408**	1.01	1.01
ED*4X30B**	*8MV*0701412**	1.00	0.93	ENH4X24*17**	*8MX*0451408**	1.00	0.94
ED*4X30B**	*9MX*0401410A**	1.01	0.92	ENH4X24*17**	*8MV*0701412**	0.99	0.93
ED*4X30B**	*9MV*0401410A**	1.00	0.99	ENH4X24*17**	*8MV*0901716**	0.99	0.91
ED*4X30B**	*8MPV050	1.00	0.96	ENH4X24*17**	*8MV*1102120**	0.99	0.93
ED*4X30B**	MV08B15**B*	1.00	1.00	ENH4X24*17**	*8MV*1352422**	0.99	0.91
ED*4X30F**	*8MV*0901716**	1.01	0.91	ENH4X24*17**	*8MV*0401410A**	1.00	1.00
ED*4X30F**	*9MX*0601714A**	1.01	0.94	ENH4X24*17**	*9MX*0401410A**	0.99	0.91
ED*4X30F**	*9MV*0601714A**	1.01	0.92	ENH4X24*17**	*9MX*0601714A**	0.99	0.91
ED*4X30F**	*9MV*0801716A**	1.02	0.92	ENH4X24*17**	*9MV*1202422A**	0.99	0.91
ED*4X30F**	*9MV*0802120A**	1.02	0.93	ENH4X24*17**	*9MA*1202422A**	1.00	0.92
ED*4X30F**	*9MV*1002120A**	1.03	0.93	ENH4X24*17**	*9MA*0601714A**	0.99	0.91
ED*4X30F**	*9MA*0601714A**	1.01	0.92	ENH4X24*17**	*9MA*0801714A**	1.00	0.92
ED*4X30F**	*9MA*0801714A**	1.00	0.92	ENH4X24*17**	*9MA*1202422A**	1.00	0.96
ED*4X30F**	*9MA*0802120A**	1.02	0.92	ENH4X24*17**	*9MVX040	1.01	0.96
ED*4X30F**	*9MA*1002122A**	1.02	0.93	ENH4X24*17**	*9MVX060	1.02	0.96
ED*4X30F**	*9MA*0602120A**	1.02	0.92	ENH4X24*17**	*9MVX080	1.02	0.96
ED*4X30F**	*9MVX040	1.01	0.92	ENH4X24*17**	*9MVX100	1.02	0.96
ED*4X30F**	*9MVX060	1.03	0.93	ENH4X24*17**	*9MV*1002116A**	0.98	0.90
ED*4X30F**	*9MV*1002116A**	1.01	0.94	ENH4X24*17**	*9MA*1002120A**	1.01	0.92
ED*4X30F**	*9MA*1002120A**	1.02	0.92	ENH4X24*17**	OLV098A12A	1.00	0.94
ED*4X30F**	OLV098A12A	1.02	0.93	ENH4X24*17**	OMV098J12A	1.00	0.94
ED*4X30F**	OMV098J12A	1.02	0.93	ENH4X24*17**	OMV112K14A	1.00	0.92
ED*4X30F**	OMV112K14A	1.02	0.93	ENH4X24*17**		1.00	1.00
ED*4X30F**		1.01	0.91	ENH4X24*17**	*9MPV050	1.00	0.94

COOLING Multiplying Factors for other Indoor Combinations

Indoor Model	Furnace Model	CAPACITY (MBh)	Power (AMPS)	Indoor Model	Furnace Model	CAPACITY (MBh)	Power (AMPS)
ED*4X30F**		1.00	1.00	ENH4X24*17**	*9MPV075	1.00	0.96
ED*4X30F**	*8MPV075	1.00	0.92	ENH4X24*17**	*9MPV100	1.01	0.95
ED*4X30F**	*9MPV050	1.00	0.92	ENH4X24*17**	*9MPV125	1.02	0.96
ED*4X30F**	*9MPV075	1.00	0.94	ENH4X30*17**	*8MX*0451408**	1.02	0.93
ED*4X30F**	MV12F19**B*	1.00	0.90	ENH4X30*17**	*8MV*0701412**	1.00	0.92
ED*4X36F**	*8MX*0451408**	1.02	0.92	ENH4X30*17**	*8MV*0901716**	1.01	0.91
ED*4X36F**	*9MV*0802120A**	1.03	0.93	ENH4X30*17**	*8MV*1102120**	1.01	0.91
ED*4X36F**	*9MV*1002120A**	1.03	0.93	ENH4X30*17**	*8MV*1352422**	1.01	0.91
ED*4X36F**	*9MA*0802120A**	1.02	0.92	ENH4X30*17**	*9MX*0401410A**	1.02	1.00
ED*4X36F**	*9MA*1002122A**	1.03	0.93	ENH4X30*17**	*9MX*0601714A**	1.01	0.92
ED*4X36F**	*9MA*0602120A**	1.02	0.93	ENH4X30*17**	*9MV*0401410A**	1.00	0.96
ED*4X36F**	*8MPV075	1.03	0.93	ENH4X30*17**	*9MV*0601714A**	1.01	0.92
EHD4X24A**	*9MX*0401410A**	1.01	0.99	ENH4X30*17**	*9MV*0801716A**	1.02	0.93
EHD4X24A**	*9MX*0601714A**	1.00	0.92	ENH4X30*17**	*9MV*1202422A**	1.02	0.93
EHD4X24A**	*9MV*0401410A**	1.00	0.96	ENH4X30*17**	*9MA*0601714A**	1.01	0.92
EHD4X24A**	*9MV*0601714A**	1.00	0.92	ENH4X30*17**	*9MA*0801714A**	1.00	0.92
EHD4X24A**	*9MV*0801716A**	1.00	0.92	ENH4X30*17**	*9MA*1202422A**	1.02	0.93
EHD4X24A**	*9MV*0802120A**	0.99	0.91	ENH4X30*17**	*9MVX040	1.03	0.96
EHD4X24A**	*9MV*1002120A**	1.00	0.92	ENH4X30*17**	*9MVX060	1.03	0.96
EHD4X24A**	*9MV*1202422A**	1.00	0.92	ENH4X30*17**	*9MVX080	1.04	0.96
EHD4X24A**	*9MA*0601714A**	1.01	0.94	ENH4X30*17**	*9MVX100	1.03	0.95
EHD4X24A**	*9MA*0801714A**	1.00	0.92	ENH4X30*17**	*9MV*1002116A**	1.01	0.92
EHD4X24A**	*9MA*0802120A**	1.02	0.93	ENH4X30*17**	*9MA*1002120A**	1.02	0.93
EHD4X24A**	*9MA*1002122A**	1.02	0.93	ENH4X30*17**	OLV098A12A	1.02	0.93
EHD4X24A**	*9MA*0602120A**	1.01	0.92	ENH4X30*17**	OMV098J12A	1.02	0.93
EHD4X24A**	*9MVX040	1.01	0.95	ENH4X30*17**	OMV112K14A	1.01	0.91
EHD4X24A**	*9MVX060	1.02	0.96	ENH4X30*17**		1.01	1.01
EHD4X24A**	*9MVX080	1.03	0.94	ENH4X30*17**	*9MPV050	1.02	0.96
EHD4X24A**	*9MVX100	1.03	0.94	ENH4X30*17**	*9MPV075	1.03	0.96
EHD4X24A**	*9MV*1002116A**	0.99	0.91	ENH4X30*17**	*9MPV100	1.03	0.95
EHD4X24A**	*9MA*1002120A**	1.02	0.93	ENH4X31*17**	*9MPV125	1.03	0.95
EHD4X24A**	OLV098A12A	1.02	0.96	ENH4X31*17**	*8MX*0451408**	1.02	0.93
EHD4X24A**	OMV098J12A	1.02	0.96	ENH4X31*17**	*8MV*0701412**	1.02	0.93
EHD4X24A**	OMV112K14A	1.02	0.96	ENH4X31*17**	*8MV*0901716**	1.02	0.93
EHD4X24A**		1.01	0.92	ENH4X31*17**	*8MV*1102120**	1.02	0.93

COOLING Multiplying Factors for other Indoor Combinations

Indoor Model	Furnace Model	CAPACITY (MBh)	Power (AMPS)	Indoor Model	Furnace Model	CAPACITY (MBh)	Power (AMPS)
EHD4X24A**		1.00	1.00	ENH4X31*17**	*8MV*1352422**	1.02	0.93
EHD4X24A**	*8MPV050	1.00	0.96	ENH4X31*17**	*9MX*0401410A**	1.03	1.00
EHD4X24A**	*8MPV075	1.00	0.94	ENH4X31*17**	*9MX*0601714A**	1.03	0.91
EHD4X24A**	*8MPV100	1.00	0.92	ENH4X31*17**	*9MV*0401410A**	1.03	0.98
EHD4X24A**	*8MPV125	1.00	0.92	ENH4X31*17**	*9MV*0601714A**	1.03	0.94
EHD4X24A**	*9MPV050	1.00	0.94	ENH4X31*17**	*9MV*0801716A**	1.03	0.91
EHD4X24A**	*9MPV075	1.00	0.94	ENH4X31*17**	*9MV*1202422A**	1.04	0.92
EHD4X24A**	*9MPV100	1.00	0.96	ENH4X31*17**	*9MA*0601714A**	1.03	0.94
EHD4X24A**	*9MPV125	1.00	0.92	ENH4X31*17**	*9MA*0801714A**	1.02	0.90
EHD4X24A**	MV08B15**B*	1.00	0.90	ENH4X31*17**	*9MA*1202422A**	1.03	0.91
EHD4X24A**	MV12F19**B*	1.00	0.90	ENH4X31*17**	*9MVX040	1.03	0.95
EHD4X30A**	*9MX*0401410A**	1.02	1.00	ENH4X31*17**	*9MVX060	1.03	0.95
EHD4X30A**	*9MX*0601714A**	1.01	0.92	ENH4X31*17**	*9MVX080	1.04	0.94
EHD4X30A**	*9MV*0401410A**	1.01	0.97	ENH4X31*17**	*9MVX100	1.04	0.94
EHD4X30A**	*9MV*0601714A**	1.01	0.92	ENH4X31*17**	*9MV*1002116A**	1.03	0.90
EHD4X30A**	*9MV*0801716A**	1.02	0.93	ENH4X31*17**	*9MA*1002120A**	1.03	0.91
EHD4X30A**	*9MV*0802120A**	1.02	0.93	ENH4X31*17**	OLV098A12A	1.03	0.93
EHD4X30A**	*9MV*1002120A**	1.02	0.92	ENH4X31*17**	OMV098J12A	1.03	0.93
EHD4X30A**	*9MV*1202422A**	1.02	0.93	ENH4X31*17**	OMV112K14A	1.03	0.93
EHD4X30A**	*9MA*0601714A**	1.01	0.92	ENH4X31*17**	*9MPV050	1.03	0.95
EHD4X30A**	*9MA*0801714A**	1.01	0.92	ENH4X31*17**	*9MPV075	1.03	0.95
EHD4X30A**	*9MA*0802120A**	1.03	0.93	ENH4X31*17**	*9MPV100	1.03	0.93
EHD4X30A**	*9MA*1002122A**	1.03	0.93	ENH4X31*17**	*9MPV125	1.04	0.94
EHD4X30A**	*9MA*1202422A**	1.02	0.93	ENH4X31*17**		1.02	1.02
EHD4X30A**	*9MA*0602120A**	1.02	0.93	ENH4X31*17**	*8MPV050	1.02	0.93
EHD4X30A**	*9MVX040	1.02	0.96	FEA4X24**A*		1.01	0.95
EHD4X30A**	*9MVX060	1.03	0.94	FEA4X30**A*		1.02	0.96
EHD4X30A**	*9MVX080	1.04	0.96	FEM4P24**A*		0.99	0.99
EHD4X30A**	*9MVX100	1.03	0.93	FEM4P24**A*		0.99	0.95
EHD4X30A**	*9MV*1002116A**	1.01	0.92	FEM4P30**A*		1.03	0.94
EHD4X30A**	*9MA*1002120A**	1.02	0.93	FEM4P30**A*		1.02	0.93
EHD4X30A**	OLV098A12A	1.02	0.93	FEM4X24****		1.00	0.94
EHD4X30A**	OMV098J12A	1.02	0.93	FEM4X30****		1.00	0.92
EHD4X30A**	OMV112K14A	1.02	0.92	FS(M,U)4P24**A*		1.02	0.97
EHD4X30A**		1.00	1.00	FS(M,U)4P24**A*		1.02	0.97

**COOLING** Multiplying Factors for other Indoor Combinations

Indoor Model	Furnace Model	CAPACITY (MBh)	Power (AMPS)	Indoor Model	Furnace Model	CAPACITY (MBh)	Power (AMPS)
EHD4X30A**	*8MPV050	1.00	0.94	FS(M,U)4P30**A*		1.03	1.03
EHD4X30A**	*8MPV075	1.00	0.92	FS(M,U)4P30**A*		1.02	1.02
EHD4X30A**	*8MPV100	1.00	0.90	FS(M,U)4X24****		0.99	0.99
EHD4X30A**	*8MPV125	1.00	0.90	FS(M,U)4X30****		1.00	1.00
EHD4X30A**	*9MPV050	1.00	0.94	FSA4X24**A*		0.98	0.99
EHD4X30A**	*9MPV075	1.00	0.94	FSA4X30**A*		1.00	1.01
EHD4X30A**	*9MPV100	1.00	0.92	FVM4X24****		0.98	0.90
EHD4X30A**	*9MPV125	1.00	0.92	FVM4X36****		1.00	0.90
EHD4X30A**	MV08B15**B*	1.00	0.90	FXM4X24**A*		1.01	0.92
EHD4X30A**	MV12F19**B*	1.00	0.90	FXM4X30**A*		1.02	0.97
EHD4X36A**	*9MVX080	1.06	0.96	FXM4X36**A*		1.03	0.94

**COOLING** Multiplying Factors for other Indoor Combinations

Indoor Model	Furnace Model	CAPACITY (MBh)	Power (AMPS)	Indoor Model	Furnace Model	CAPACITY (MBh)	Power (AMPS)
<b>N4A330</b>							
*ED4X30B**		1.00	1.00	EN(A,D)4X30*17**	*9MV*0601714A**	1.01	0.95
EA*4X30*14A*	*8MV*0701412**	1.00	0.94	EN(A,D)4X30*17**	*9MV*0801716A**	1.01	0.92
EA*4X30*14A*	*9MX*0401410A**	0.99	1.05	EN(A,D)4X30*17**	*9MA*0601714A**	1.01	0.95
EA*4X30*14A*		1.01	1.00	EN(A,D)4X30*17**	*9MA*0801714A**	1.01	0.93
EA*4X30*17A*	*8MX*0701716**	1.01	0.95	EN(A,D)4X30*17**	*9MVX040	1.01	0.99
EA*4X30*17A*	*8MV*0701412**	1.01	0.95	EN(A,D)4X30*17**	*9MVX060	1.01	1.00
EA*4X30*17A*	*8MV*0901716**	1.01	0.91	EN(A,D)4X30*17**	OLV098A12A	1.01	0.95
EA*4X30*17A*	*9MX*0401410A**	1.00	1.05	EN(A,D)4X30*17**	OMV098J12A	1.01	0.99
EA*4X30*17A*	*9MX*0601714A**	1.01	0.95	EN(A,D)4X30*17**	OMV112K14A	1.01	0.94
EA*4X30*17A*	*9MX*0801716A**	1.01	0.95	EN(A,D)4X30*17**		1.01	1.00
EA*4X30*17A*	*9MV*0601714A**	1.01	0.95	EN(A,D)4X30*17**	*9MPV050	1.01	0.99
EA*4X30*17A*	*9MV*0801716A**	1.01	0.92	EN(A,D)4X30*17**	*9MPV075	1.01	0.99
EA*4X30*17A*	*9MA*0601714A**	1.00	0.94	EN(A,D)4X31*17**	*8MX*0701716**	1.02	0.96
EA*4X30*17A*	*9MA*0801714A**	1.01	0.92	EN(A,D)4X31*17**	*8MV*0701412**	1.02	0.92
EA*4X30*17A*		1.01	1.01	EN(A,D)4X31*17**	*8MV*0901716**	1.02	0.92
EA*4X36*14A*	*8MV*0701412**	1.01	0.95	EN(A,D)4X31*17**	*9MX*0401410A**	1.02	1.05
EA*4X36*14A*	*9MX*0401410A**	1.00	1.05	EN(A,D)4X31*17**	*9MX*0601714A**	1.04	0.95
EA*4X36*14A*		1.01	1.01	EN(A,D)4X31*17**	*9MX*0801716A**	1.04	0.96
EA*4X36*17A*	*8MX*0701716**	1.01	0.95	EN(A,D)4X31*17**	*9MV*0601714A**	1.03	0.94
EA*4X36*17A*	*8MV*0701412**	1.01	0.95	EN(A,D)4X31*17**	*9MV*0801716A**	1.03	0.93

COOLING Multiplying Factors for other Indoor Combinations

Indoor Model	Furnace Model	CAPACITY (MBh)	Power (AMPS)	Indoor Model	Furnace Model	CAPACITY (MBh)	Power (AMPS)
EA*4X36*17A*	*8MV*0901716**	1.01	0.91	EN(A,D)4X31*17**	*9MA*0601714A**	1.02	0.94
EA*4X36*17A*	*9MX*0401410A**	1.00	1.05	EN(A,D)4X31*17**	*9MA*0801714A**	1.03	0.93
EA*4X36*17A*	*9MX*0601714A**	1.01	0.95	EN(A,D)4X31*17**	*9MVX040	1.03	0.97
EA*4X36*17A*	*9MX*0801716A**	1.02	0.94	EN(A,D)4X31*17**	*9MVX060	1.04	0.97
EA*4X36*17A*	*9MV*0601714A**	1.01	0.93	EN(A,D)4X31*17**	OLV098A12A	1.03	0.95
EA*4X36*17A*	*9MV*0801716A**	1.01	0.93	EN(A,D)4X31*17**	OMV098J12A	1.03	0.97
EA*4X36*17A*	*9MA*0601714A**	1.01	0.95	EN(A,D)4X31*17**	OMV112K14A	1.04	0.93
EA*4X36*17A*	*9MA*0801714A**	1.01	0.93	EN(A,D)4X31*17**	*9MPV050	1.03	0.97
EA*4X36*17A*		1.01	1.01	EN(A,D)4X31*17**	*9MPV075	1.03	0.97
EA*4X36*21A*	*8MX*0701716**	1.02	0.96	EN(A,D)4X31*17**		1.02	1.00
EA*4X36*21A*	*8MX*0902116**	1.02	0.92	EN(A,D)4X31*17**	*8MPV050	1.02	0.99
EA*4X36*21A*	*8MV*0901716**	1.01	0.91	EN(A,D)4X31*17**	*8MPV075	1.03	0.95
EA*4X36*21A*	*8MV*1102120**	1.01	0.91	EN(A,D)4X36*21**	*8MX*0902116**	1.01	0.94
EA*4X36*21A*	*9MX*0601714A**	1.01	0.93	EN(A,D)4X36*21**	*8MV*1102120**	1.01	0.93
EA*4X36*21A*	*9MX*0801716A**	1.02	0.94	EN(A,D)4X36*21**	*9MX*0601714A**	1.01	0.95
EA*4X36*21A*	*9MV*0601714A**	1.01	0.93	EN(A,D)4X36*21**	*9MX*0801716A**	1.02	0.96
EA*4X36*21A*	*9MV*0801716A**	1.01	0.93	EN(A,D)4X36*21**	*9MV*0601714A**	1.01	0.95
EA*4X36*21A*	*9MV*0802120A**	1.02	0.92	EN(A,D)4X36*21**	*9MV*0801716A**	1.01	0.92
EA*4X36*21A*	*9MV*1002120A**	1.01	0.91	EN(A,D)4X36*21**	*9MV*0802120A**	1.01	0.93
EA*4X36*21A*	*9MA*0601714A**	1.01	0.92	EN(A,D)4X36*21**	*9MV*1002120A**	1.00	0.90
EA*4X36*21A*	*9MA*0801714A**	1.01	0.93	EN(A,D)4X36*21**	*9MA*0601714A**	1.01	0.95
EA*4X36*21A*	*9MA*0802120A**	1.01	0.91	EN(A,D)4X36*21**	*9MA*0801714A**	1.01	0.93
EA*4X36*21A*	*9MA*1002122A**	1.02	0.92	EN(A,D)4X36*21**	*9MA*0802120A**	1.01	0.94
EA*4X36*21A*	*9MA*0602120A**	1.01	0.93	EN(A,D)4X36*21**	*9MA*1002122A**	1.01	0.91
EA*4X36*21A*	*9MV*1002116A**	1.01	0.93	EN(A,D)4X36*21**	*9MA*0602120A**	1.01	0.93
EA*4X36*21A*	*9MA*1002120A**	1.01	0.93	EN(A,D)4X36*21**	*9MVX040	1.01	0.99
EA*4X36*21A*		1.01	1.01	EN(A,D)4X36*21**	*9MVX060	1.01	1.00
EA*4X42*21A*	*9MV*0802120A**	1.02	0.94	EN(A,D)4X36*21**	*9MVX080	1.02	0.96
EA*4X42*21A*	*9MV*1002120A**	1.02	0.94	EN(A,D)4X36*21**	*9MV*1002116A**	1.01	0.92
EA*4X42*21A*	*9MA*0802120A**	1.02	0.92	EN(A,D)4X36*21**	*9MA*1002120A**	1.01	0.93
EA*4X42*21A*	*9MA*1002122A**	1.03	0.93	EN(A,D)4X36*21**	OLV098A12A	1.01	0.95
EA*4X42*21A*	*9MA*0602120A**	1.02	0.94	EN(A,D)4X36*21**	OLV112A16A	1.01	0.95
EA*4X42*21A*		1.01	1.00	EN(A,D)4X36*21**	OMV098J12A	1.01	0.99
EA*4X42*24A*		1.01	1.00	EN(A,D)4X36*21**	OMV112K14A	1.01	0.94
ED*4X30B**	*8MV*0701412**	1.00	0.92	EN(A,D)4X36*21**		1.01	1.01

COOLING Multiplying Factors for other Indoor Combinations

Indoor Model	Furnace Model	Indoor Model	Furnace Model	CAPACITY (MBh)	Power (AMPS)	Indoor Model	Furnace Model	CAPACITY (MBh)	Power (AMPS)
ED*4X30B**	*8MPV050	EN(A,D)4X36*21**	*9MPV050	1.00	0.98	EN(A,D)4X36*21**	*9MPV050	1.01	0.99
ED*4X30B**	MV08B15**B*	EN(A,D)4X36*21**	*9MPV075	1.00	0.90	EN(A,D)4X36*21**	*9MPV075	1.01	0.99
ED*4X30F**	*8MX*0701716**	EN(A,D)4X36*21**	*9MPV100	1.01	0.93	EN(A,D)4X36*21**	*9MPV100	1.01	0.95
ED*4X30F**	*8MV*0901716**	EN(A,D)4X37*17**	*8MX*0701716**	1.01	0.91	EN(A,D)4X37*17**	*8MX*0701716**	1.02	0.92
ED*4X30F**	*9MX*0601714A**	EN(A,D)4X37*17**	*8MV*0701412**	1.01	0.95	EN(A,D)4X37*17**	*8MV*0701412**	1.02	0.92
ED*4X30F**	*9MX*0801716A**	EN(A,D)4X37*17**	*8MV*0901716**	1.01	0.95	EN(A,D)4X37*17**	*8MV*0901716**	1.02	0.92
ED*4X30F**	*9MV*0601714A**	EN(A,D)4X37*17**	*9MX*0401410A**	1.01	0.95	EN(A,D)4X37*17**	*9MX*0401410A**	1.03	1.05
ED*4X30F**	*9MV*0801716A**	EN(A,D)4X37*17**	*9MX*0601714A**	1.01	0.92	EN(A,D)4X37*17**	*9MX*0601714A**	1.04	0.94
ED*4X30F**	*9MV*0802120A**	EN(A,D)4X37*17**	*9MX*0801716A**	1.01	0.91	EN(A,D)4X37*17**	*9MX*0801716A**	1.05	0.95
ED*4X30F**	*9MV*1002120A**	EN(A,D)4X37*17**	*9MV*0601714A**	1.00	0.90	EN(A,D)4X37*17**	*9MV*0601714A**	1.04	0.93
ED*4X30F**	*9MA*0601714A**	EN(A,D)4X37*17**	*9MV*0801716A**	1.00	0.94	EN(A,D)4X37*17**	*9MV*0801716A**	1.04	0.94
ED*4X30F**	*9MA*0801714A**	EN(A,D)4X37*17**	*9MA*0601714A**	1.01	0.92	EN(A,D)4X37*17**	*9MA*0601714A**	1.04	0.93
ED*4X30F**	*9MA*0802120A**	EN(A,D)4X37*17**	*9MA*0801714A**	1.01	0.95	EN(A,D)4X37*17**	*9MA*0801714A**	1.04	0.94
ED*4X30F**	*9MA*1002122A**	EN(A,D)4X37*17**	*9MVX040	1.01	0.91	EN(A,D)4X37*17**	*9MVX040	1.04	0.98
ED*4X30F**	*9MA*0602120A**	EN(A,D)4X37*17**	*9MVX060	1.01	0.95	EN(A,D)4X37*17**	*9MVX060	1.05	0.97
ED*4X30F**	*9MVX040	EN(A,D)4X37*17**	OLV098A12A	1.01	0.97	EN(A,D)4X37*17**	OLV098A12A	1.04	0.96
ED*4X30F**	*9MVX060	EN(A,D)4X37*17**	OMV098J12A	1.01	0.98	EN(A,D)4X37*17**	OMV098J12A	1.04	0.96
ED*4X30F**	*9MV*1002116A**	EN(A,D)4X37*17**	OMV112K14A	1.01	0.92	EN(A,D)4X37*17**	OMV112K14A	1.04	0.94
ED*4X30F**	*9MA*1002120A**	EN(A,D)4X37*17**	*9MPV050	1.01	0.93	EN(A,D)4X37*17**	*9MPV050	1.04	0.98
ED*4X30F**	OLV098A12A	EN(A,D)4X37*17**	*9MPV075	1.01	0.95	EN(A,D)4X37*17**	*9MPV075	1.04	0.96
ED*4X30F**	OLV112A16A	EN(A,D)4X37*17**		1.01	0.95	EN(A,D)4X37*17**		1.03	1.01
ED*4X30F**	OMV098J12A	EN(A,D)4X37*17**	*8MPV050	1.01	0.99	EN(A,D)4X37*17**	*8MPV050	1.02	0.96
ED*4X30F**	OMV112K14A	EN(A,D)4X37*17**	*8MPV075	1.01	0.94	EN(A,D)4X37*17**	*8MPV075	1.02	0.92
ED*4X30F**		EN(A,D,W)4X36*17**	*8MX*0701716**	1.00	1.00	EN(A,D,W)4X36*17**	*8MX*0701716**	1.01	0.95
ED*4X30F**	*8MPV075	EN(A,D,W)4X36*17**	*8MV*0901716**	1.00	0.92	EN(A,D,W)4X36*17**	*8MV*0901716**	1.01	0.93
ED*4X30F**	*9MPV050	EN(A,D,W)4X36*17**	*9MX*0401410A**	1.00	0.96	EN(A,D,W)4X36*17**	*9MX*0401410A**	1.00	1.05
ED*4X30F**	*9MPV075	EN(A,D,W)4X36*17**	*9MX*0601714A**	1.00	0.96	EN(A,D,W)4X36*17**	*9MX*0601714A**	1.01	0.95
ED*4X30F**	MV12F19**B*	EN(A,D,W)4X36*17**	*9MX*0801716A**	1.00	0.89	EN(A,D,W)4X36*17**	*9MX*0801716A**	1.01	0.95
ED*4X36B**	*8MV*0701412**	EN(A,D,W)4X36*17**	*9MV*0601714A**	1.01	0.93	EN(A,D,W)4X36*17**	*9MV*0601714A**	1.01	0.95
ED*4X36B**		EN(A,D,W)4X36*17**	*9MV*0801716A**	1.00	1.00	EN(A,D,W)4X36*17**	*9MV*0801716A**	1.01	0.92
ED*4X36B**	*8MPV050	EN(A,D,W)4X36*17**	*9MA*0601714A**	1.00	0.98	EN(A,D,W)4X36*17**	*9MA*0601714A**	1.01	0.95
ED*4X36B**	MV08B15**B*	EN(A,D,W)4X36*17**	*9MA*0801714A**	1.00	0.90	EN(A,D,W)4X36*17**	*9MA*0801714A**	1.01	0.93
ED*4X36F**	*8MX*0701716**	EN(A,D,W)4X36*17**	*9MVX040	1.01	0.94	EN(A,D,W)4X36*17**	*9MVX040	1.01	0.99
ED*4X36F**	*8MV*0901716**	EN(A,D,W)4X36*17**	*9MVX060	1.01	0.91	EN(A,D,W)4X36*17**	*9MVX060	1.01	1.00
ED*4X36F**	*9MX*0601714A**	EN(A,D,W)4X36*17**	OLV098A12A	1.01	0.95	EN(A,D,W)4X36*17**	OLV098A12A	1.01	0.95



COOLING Multiplying Factors for other Indoor Combinations

Indoor Model	Furnace Model	Capacity (MBh)	Power (AMPS)	Indoor Model	Furnace Model	Capacity (MBh)	Power (AMPS)
ED*4X36F**	*9MX*0601714A**	1.01	0.95	EN(A,D,W)4X36*17**	OMV098J12A	1.01	0.99
ED*4X36F**	*9MX*0801716A**	1.02	0.94	EN(A,D,W)4X36*17**	OMV112K14A	1.01	0.94
ED*4X36F**	*9MX*0801716A**	1.02	0.94	EN(A,D,W)4X36*17**		1.01	1.01
ED*4X36F**	*9MV*0601714A**	1.01	0.93	EN(A,D,W)4X36*17**	*9MPV050	1.01	0.99
ED*4X36F**	*9MV*0801716A**	1.01	0.93	EN(A,D,W)4X36*17**	*9MPV075	1.01	0.99
ED*4X36F**	*9MV*0802120A**	1.01	0.91	EN(A,D,W)4X42*21**	*9MV*0802120A**	1.02	0.92
ED*4X36F**	*9MV*1002120A**	1.01	0.91	EN(A,D,W)4X42*21**	*9MV*1002120A**	1.01	0.91
ED*4X36F**	*9MA*0601714A**	1.01	0.95	EN(A,D,W)4X42*21**	*9MA*0802120A**	1.02	0.92
ED*4X36F**	*9MA*0601714A**	1.01	0.95	EN(A,D,W)4X42*21**	*9MA*1002122A**	1.03	0.93
ED*4X36F**	*9MA*0801714A**	1.01	0.93	EN(A,D,W)4X42*21**	*9MA*0602120A**	1.02	0.96
ED*4X36F**	*9MA*0801714A**	1.01	0.93	EN(A,D,W)4X42*21**		1.01	1.00
ED*4X36F**	*9MA*0802120A**	1.01	0.94	EN(A,D,W)4X48*21**	*8MX*0902116**	1.04	0.92
ED*4X36F**	*9MA*1002122A**	1.02	0.92	END4X42*17**	*8MV*0901716**	1.02	0.90
ED*4X36F**	*9MA*0602120A**	1.01	0.95	END4X42*17**		1.01	1.00
ED*4X36F**	*9MVX040	1.01	0.97	ENH4X30*17**	*8MX*0701716**	1.01	0.95
ED*4X36F**	*9MVX060	1.01	0.95	ENH4X30*17**	*8MX*0902116**	1.01	0.94
ED*4X36F**	*9MV*1002116A**	1.01	0.93	ENH4X30*17**	*8MV*0701412**	1.00	0.92
ED*4X36F**	*9MA*1002120A**	1.01	0.93	ENH4X30*17**	*8MV*0901716**	1.01	0.93
ED*4X36F**	*9MA*1002120A**	1.01	0.93	ENH4X30*17**	*8MV*1102120**	1.01	0.93
ED*4X36F**	OLV098A12A	1.01	0.95	ENH4X30*17**	*8MV*1352422**	1.01	0.91
ED*4X36F**	OLV112A16A	1.01	0.95	ENH4X30*17**	*9MX*0401410A**	1.00	1.05
ED*4X36F**	OMV098J12A	1.01	0.95	ENH4X30*17**	*9MX*0601714A**	1.01	0.95
ED*4X36F**	OMV112K14A	1.01	0.94	ENH4X30*17**	*9MX*0801716A**	1.01	0.95
ED*4X36F**		1.00	1.00	ENH4X30*17**	*9MV*0601714A**	1.01	0.95
ED*4X36F**	*8MPV075	1.00	0.92	ENH4X30*17**	*9MV*0801716A**	1.01	0.92
ED*4X36F**	*9MPV050	1.00	0.96	ENH4X30*17**	*9MV*1202422A**	1.01	0.92
ED*4X36F**	*9MPV075	1.00	0.94	ENH4X30*17**	*9MA*0601714A**	1.01	0.95
ED*4X36F**	MV12F19**B*	1.00	0.89	ENH4X30*17**	*9MA*0801714A**	1.01	0.93
ED*4X36J**	*8MX*0902116**	1.02	0.92	ENH4X30*17**	*9MA*1202422A**	1.01	0.93
ED*4X36J**	*8MV*1102120**	1.01	0.91	ENH4X30*17**	*9MVX040	1.01	0.99
ED*4X36J**	*9MV*1002120A**	1.01	0.91	ENH4X30*17**	*9MVX060	1.01	1.00
ED*4X36J**	*9MV*1202422A**	1.02	0.92	ENH4X30*17**	*9MVX080	1.02	0.96
ED*4X36J**	*9MV*1202422A**	1.02	0.94	ENH4X30*17**	*9MVX100	1.01	0.94
ED*4X36J**	*9MA*0802120A**	1.01	0.91	ENH4X30*17**	*9MV*1002116A**	1.01	0.92
ED*4X36J**	*9MA*1002122A**	1.02	0.92	ENH4X30*17**	*9MA*1002120A**	1.01	0.93

COOLING Multiplying Factors for other Indoor Combinations

Indoor Model	Furnace Model	CAPACITY (MBh)	Power (AMPS)	Indoor Model	Furnace Model	CAPACITY (MBh)	Power (AMPS)
ED*4X36J**	*9MA*1202422A**	1.01	0.91	ENH4X30*17**	OLV098A12A	1.01	0.95
ED*4X36J**	*9MA*0602120A**	1.01	0.94	ENH4X30*17**	OLV112A16A	1.01	0.95
ED*4X36J**	*9MVX080	1.03	0.95	ENH4X30*17**	OMV098J12A	1.01	0.99
ED*4X36J**	*9MV*1002116A**	1.01	0.93	ENH4X30*17**	OMV112K14A	1.01	0.94
ED*4X36J**	*9MA*1002120A**	1.01	0.93	ENH4X30*17**		1.01	1.00
ED*4X36J**	OLV112A16A	1.02	0.94	ENH4X30*17**	*9MPV050	1.01	0.99
ED*4X36J**		1.00	1.00	ENH4X30*17**	*9MPV075	1.01	0.99
ED*4X36J**	*8MPV100	1.00	0.90	ENH4X30*17**	*9MPV100	1.01	0.95
ED*4X36J**	*8MPV125	1.00	0.90	ENH4X30*17**	*9MPV125	1.01	0.94
ED*4X36J**	*9MPV100	1.00	0.92	ENH4X31*17**	*8MX*0701716**	1.02	0.96
ED*4X42F**	*9MV*0802120A**	1.02	0.92	ENH4X31*17**	*8MX*0902116**	1.02	0.92
ED*4X42F**	*9MV*1002120A**	1.01	0.91	ENH4X31*17**	*8MV*0701412**	1.02	0.92
ED*4X42F**	*9MA*0802120A**	1.02	0.92	ENH4X31*17**	*8MV*0901716**	1.02	0.92
ED*4X42F**	*9MA*1002122A**	1.02	0.94	ENH4X31*17**	*8MV*1102120**	1.02	0.92
ED*4X42F**	*9MA*0602120A**	1.01	0.94	ENH4X31*17**	*8MV*1352422**	1.02	0.92
ED*4X42J**	*9MVX080	1.02	0.92	ENH4X31*17**	*9MX*0401410A**	1.02	1.06
EHD4X30A**	*9MX*0401410A**	1.00	1.04	ENH4X31*17**	*9MX*0601714A**	1.04	0.95
EHD4X30A**	*9MX*0601714A**	1.01	0.95	ENH4X31*17**	*9MX*0801716A**	1.04	0.96
EHD4X30A**	*9MX*0801716A**	1.02	0.96	ENH4X31*17**	*9MV*0601714A**	1.03	0.94
EHD4X30A**	*9MV*0601714A**	1.01	0.95	ENH4X31*17**	*9MV*0801716A**	1.03	0.93
EHD4X30A**	*9MV*0801716A**	1.01	0.92	ENH4X31*17**	*9MV*1202422A**	1.04	0.93
EHD4X30A**	*9MV*0802120A**	1.01	0.93	ENH4X31*17**	*9MA*0601714A**	1.02	0.94
EHD4X30A**	*9MV*1002120A**	1.00	0.92	ENH4X31*17**	*9MA*0801714A**	1.03	0.93
EHD4X30A**	*9MV*1202422A**	1.01	0.93	ENH4X31*17**	*9MA*1202422A**	1.04	0.93
EHD4X30A**	*9MA*0601714A**	1.01	0.95	ENH4X31*17**	*9MVX040	1.03	0.97
EHD4X30A**	*9MA*0801714A**	1.01	0.93	ENH4X31*17**	*9MVX060	1.04	0.97
EHD4X30A**	*9MA*0802120A**	1.01	0.94	ENH4X31*17**	*9MVX080	1.04	0.94
EHD4X30A**	*9MA*1002122A**	1.02	0.94	ENH4X31*17**	*9MVX100	1.04	0.93
EHD4X30A**	*9MA*1202422A**	1.01	0.93	ENH4X31*17**	*9MV*1002116A**	1.03	0.93
EHD4X30A**	*9MA*0602120A**	1.01	0.95	ENH4X31*17**	*9MA*1002120A**	1.04	0.93
EHD4X30A**	*9MVX040	1.01	0.97	ENH4X31*17**	OLV098A12A	1.03	0.95
EHD4X30A**	*9MVX060	1.01	0.98	ENH4X31*17**	OLV112A16A	1.04	0.93
EHD4X30A**	*9MVX080	1.02	0.94	ENH4X31*17**	OMV098J12A	1.03	0.97
EHD4X30A**	*9MVX100	1.01	0.94	ENH4X31*17**	OMV112K14A	1.04	0.93
EHD4X30A**	*9MV*1002116A**	1.01	0.92	ENH4X31*17**	*9MPV050	1.03	0.97

COOLING Multiplying Factors for other Indoor Combinations

Indoor Model	Furnace Model	CAPACITY (MBh)	Power (AMPS)	Indoor Model	Furnace Model	CAPACITY (MBh)	Power (AMPS)
EHD4X30A**	*9MA*1002120A**	1.01	0.93	ENH4X31*17**	*9MPV075	1.03	0.97
EHD4X30A**	OLV098A12A	1.01	0.99	ENH4X31*17**	*9MPV100	1.04	0.94
EHD4X30A**	OLV112A16A	1.02	0.96	ENH4X31*17**	*9MPV125	1.04	0.94
EHD4X30A**	OMV098J12A	1.01	1.00	ENH4X31*17**		1.02	1.00
EHD4X30A**	OMV112K14A	1.01	0.95	ENH4X31*17**	*8MPV050	1.02	0.99
EHD4X30A**		1.00	1.00	ENH4X31*17**	*8MPV075	1.02	0.94
EHD4X30A**	*8MPV050	1.00	0.98	ENH4X31*17**	*8MPV100	1.02	0.92
EHD4X30A**	*8MPV075	1.00	0.94	ENH4X31*17**	*8MPV125	1.02	0.92
EHD4X30A**	*8MPV100	1.00	0.92	ENH4X36*17**	*8MX*0701716**	1.01	0.95
EHD4X30A**	*8MPV125	1.00	0.92	ENH4X36*17**	*8MX*0902116**	1.01	0.94
EHD4X30A**	*9MPV050	1.00	0.96	ENH4X36*17**	*8MV*0701412**	1.01	0.93
EHD4X30A**	*9MPV075	1.00	0.96	ENH4X36*17**	*8MV*0901716**	1.01	0.93
EHD4X30A**	*9MPV100	1.00	0.92	ENH4X36*17**	*8MV*1102120**	1.01	0.93
EHD4X30A**	*9MPV125	1.00	0.92	ENH4X36*17**	*8MV*1352422**	1.01	0.91
EHD4X30A**	MV08B15**B*	1.00	0.9	ENH4X36*17**	*9MX*0401410A**	1.00	1.05
EHD4X30A**	MV12F19**B*	1.00	0.9	ENH4X36*17**	*9MX*0601714A**	1.01	0.95
EHD4X36A**	*9MX*0401410A**	1.02	1.06	ENH4X36*17**	*9MX*0801716A**	1.01	0.95
EHD4X36A**	*9MX*0601714A**	1.03	0.94	ENH4X36*17**	*9MV*0601714A**	1.01	0.95
EHD4X36A**	*9MX*0801716A**	1.04	0.95	ENH4X36*17**	*9MV*0801716A**	1.01	0.92
EHD4X36A**	*9MV*0601714A**	1.02	0.94	ENH4X36*17**	*9MV*1202422A**	1.01	0.92
EHD4X36A**	*9MV*0801716A**	1.03	0.93	ENH4X36*17**	*9MA*0601714A**	1.01	0.95
EHD4X36A**	*9MV*0801716A**	1.03	0.93	ENH4X36*17**	*9MA*0801714A**	1.01	0.93
EHD4X36A**	*9MV*1002120A**	1.02	0.92	ENH4X36*17**	*9MA*1202422A**	1.01	0.93
EHD4X36A**	*9MV*1202422A**	1.03	0.93	ENH4X36*17**	*9MVX040	1.01	0.99
EHD4X36A**	*9MA*0601714A**	1.02	0.94	ENH4X36*17**	*9MVX060	1.01	1.00
EHD4X36A**	*9MA*0801714A**	1.03	0.93	ENH4X36*17**	*9MVX080	1.02	0.96
EHD4X36A**	*9MA*0802120A**	1.03	0.93	ENH4X36*17**	*9MVX100	1.01	0.94
EHD4X36A**	*9MA*1002122A**	1.04	0.93	ENH4X36*17**	*9MV*1002116A**	1.01	0.92
EHD4X36A**	*9MA*1202422A**	1.03	0.93	ENH4X36*17**	*9MA*1002120A**	1.01	0.93
EHD4X36A**	*9MA*0602120A**	1.03	0.94	ENH4X36*17**	OLV098A12A	1.01	0.95
EHD4X36A**	*9MVX040	1.01	0.97	ENH4X36*17**	OLV112A16A	1.01	0.95
EHD4X36A**	*9MVX060	1.01	0.95	ENH4X36*17**	OMV098J12A	1.01	0.99
EHD4X36A**	*9MVX080	1.03	0.95	ENH4X36*17**	OMV112K14A	1.01	0.94
EHD4X36A**	*9MVX100	1.04	0.93	ENH4X36*17**		1.01	1.01
EHD4X36A**	*9MV*1002116A**	1.03	0.93	ENH4X36*17**	*9MPV050	1.01	0.99

COOLING Multiplying Factors for other Indoor Combinations

Indoor Model	Furnace Model	CAPACITY (MBh)	Power (AMPS)	Indoor Model	Furnace Model	CAPACITY (MBh)	Power (AMPS)
EHD4X36A**	*9MA*1002120A**	1.04	0.93	ENH4X36*17**	*9MPV075	1.01	0.99
EHD4X36A**	OLV098A12A	1.03	0.95	ENH4X36*17**	*9MPV100	1.01	0.95
EHD4X36A**	OLV112A16A	1.04	0.96	ENH4X36*17**	*9MPV125	1.01	0.94
EHD4X36A**	OMV098J12A	1.03	0.97	ENH4X42*21**		1.01	1.00
EHD4X36A**	OMV112K14A	1.03	0.93	FEA4X30**A*		1.01	0.94
EHD4X36A**		1.00	1.00	FEA4X36**A*		1.02	0.96
EHD4X36A**	*8MPV050	1.00	0.98	FEM4P30**A*		1.01	0.99
EHD4X36A**	*8MPV075	1.00	0.92	FEM4P30**A*		1.01	0.95
EHD4X36A**	*8MPV100	1.00	0.9	FEM4P36**A*		1.01	0.99
EHD4X36A**	*8MPV125	1.00	0.9	FEM4P36**A*		1.01	0.95
EHD4X36A**	*9MPV050	1.00	0.94	FEM4X30****		1.00	0.94
EHD4X36A**	*9MPV075	1.00	0.94	FEM4X36****		1.00	0.94
EHD4X36A**	*9MPV100	1.00	0.92	FS(M,U)4P30**A*		1.01	1.00
EHD4X36A**	*9MPV125	1.00	0.90	FS(M,U)4P30**A*		1.01	1.00
EHD4X36A**	MV08B15**B*	1.00	0.90	FS(M,U)4P36**A*		1.01	1.00
EHD4X36A**	MV12F19**B*	1.00	0.89	FS(M,U)4P36**A*		1.01	1.00
EHD4X42A**	*9MVX080	1.02	0.92	FS(M,U)4X30****		0.99	0.99
EMA4X36D**		1.00	1.00	FSA4X30**A*		0.99	1.00
EN(A,D)4X30*14**	*8MV*0701412**	1.00	0.92	FSA4X36**A*		1.00	1.00
EN(A,D)4X30*14**	*9MX*0401410A**	0.99	1.04	FSM4X36****		1.00	1.00
EN(A,D)4X30*14**		1.01	1.01	FSU4X36****		1.02	1.04
EN(A,D)4X30*17**	*8MX*0701716**	1.01	0.95	FVM4X24****		0.99	0.91
EN(A,D)4X30*17**	*8MV*0901716**	1.01	0.93	FVM4X36****		1.00	0.89
EN(A,D)4X30*17**	*9MX*0401410A**	1.00	1.05	FVM4X48****		1.00	0.89
EN(A,D)4X30*17**	*9MX*0601714A**	1.01	0.95	FXM4X30**A*		1.02	0.96
EN(A,D)4X30*17**	*9MX*0801716A**	1.01	0.95	FXM4X36**A*		1.03	0.93
				FXM4X42**A*		1.04	1.02

COOLING Multiplying Factors for other Indoor Combinations

Indoor Model	Furnace Model	CAPACITY (MBh)	Power (AMPS)	Indoor Model	Furnace Model	CAPACITY (MBh)	Power (AMPS)
<b>N4A336</b>							
*ED*4X36F**		1.00	1.00	EN(A,D)4X36*21**	*9MV*0601714A**	0.98	0.94
EA*4X36*14A*	*8MX*0451408**	0.98	0.97	EN(A,D)4X36*21**	*9MV*0801716A**	0.99	0.94
EA*4X36*14A*	*8MV*0701412**	0.98	0.95	EN(A,D)4X36*21**	*9MV*0802120A**	0.98	0.93
EA*4X36*14A*		0.97	0.96	EN(A,D)4X36*21**	*9MV*1002120A**	0.98	0.93

COOLING Multiplying Factors for other Indoor Combinations

Indoor Model	Furnace Model	Indoor Model	Furnace Model	Power (AMPS)	CAPACITY (MBh)	Indoor Model	Furnace Model	CAPACITY (MBh)	Power (AMPS)
EA*4X36*17A*	*8MX*0451408**	EN(A,D)4X36*21**	*9MA*0601714A**	0.98	0.99	EN(A,D)4X36*21**	*9MA*0601714A**	0.97	0.93
EA*4X36*17A*	*8MX*0701716**	EN(A,D)4X36*21**	*9MA*0801714A**	0.95	0.99	EN(A,D)4X36*21**	*9MA*0801714A**	0.98	0.93
EA*4X36*17A*	*8MV*0701412**	EN(A,D)4X36*21**	*9MA*0802120A**	0.93	0.98	EN(A,D)4X36*21**	*9MA*0802120A**	0.98	0.93
EA*4X36*17A*	*8MV*0901716**	EN(A,D)4X36*21**	*9MA*1002122A**	0.92	0.99	EN(A,D)4X36*21**	*9MA*1002122A**	0.99	0.94
EA*4X36*17A*	*9MX*0601714A**	EN(A,D)4X36*21**	*9MA*0602120A**	0.94	0.99	EN(A,D)4X36*21**	*9MA*0602120A**	0.98	0.93
EA*4X36*17A*	*9MX*0801716A**	EN(A,D)4X36*21**	*9MVX040	0.94	0.99	EN(A,D)4X36*21**	*9MVX040	0.98	0.97
EA*4X36*17A*	*9MV*0601714A**	EN(A,D)4X36*21**	*9MVX060	0.94	0.98	EN(A,D)4X36*21**	*9MVX060	0.99	0.98
EA*4X36*17A*	*9MV*0801716A**	EN(A,D)4X36*21**	*9MVX080	0.94	0.99	EN(A,D)4X36*21**	*9MVX080	1.00	0.99
EA*4X36*17A*	*9MA*0601714A**	EN(A,D)4X36*21**	*9MV*1002116A**	0.93	0.98	EN(A,D)4X36*21**	*9MV*1002116A**	0.99	0.94
EA*4X36*17A*	*9MA*0801714A**	EN(A,D)4X36*21**	*9MA*1002120A**	0.93	0.98	EN(A,D)4X36*21**	*9MA*1002120A**	0.98	0.93
EA*4X36*17A*		EN(A,D)4X36*21**	OLV098A12A	1.00	1.00	EN(A,D)4X36*21**	OLV098A12A	0.98	0.97
EA*4X36*21A*	*8MX*0701716**	EN(A,D)4X36*21**	OLV112A16A	0.96	0.99	EN(A,D)4X36*21**	OLV112A16A	0.99	0.98
EA*4X36*21A*	*8MX*0902116**	EN(A,D)4X36*21**	OMV098J12A	0.91	1.00	EN(A,D)4X36*21**	OMV098J12A	0.98	0.97
EA*4X36*21A*	*8MX*1102120**	EN(A,D)4X36*21**	OMV112K14A	0.91	1.01	EN(A,D)4X36*21**	OMV112K14A	0.99	0.98
EA*4X36*21A*	*8MV*0901716**	EN(A,D)4X36*21**		0.92	0.99	EN(A,D)4X36*21**		1.00	0.99
EA*4X36*21A*	*8MV*1102120**	EN(A,D)4X36*21**	*9MPV050	0.92	0.99	EN(A,D)4X36*21**	*9MPV050	0.98	0.97
EA*4X36*21A*	*9MX*0601714A**	EN(A,D)4X36*21**	*9MPV075	0.94	0.99	EN(A,D)4X36*21**	*9MPV075	0.98	0.97
EA*4X36*21A*	*9MX*0801716A**	EN(A,D)4X36*21**	*9MPV100	0.94	0.99	EN(A,D)4X36*21**	*9MPV100	0.99	0.99
EA*4X36*21A*	*9MX*1002120A**	EN(A,D)4X37*17**	*8MX*0451408**	0.94	1.01	EN(A,D)4X37*17**	*8MX*0451408**	1.02	1.01
EA*4X36*21A*	*9MV*0601714A**	EN(A,D)4X37*17**	*8MX*0701716**	0.94	0.99	EN(A,D)4X37*17**	*8MX*0701716**	1.02	0.95
EA*4X36*21A*	*9MV*0801716A**	EN(A,D)4X37*17**	*8MV*0701412**	0.94	0.99	EN(A,D)4X37*17**	*8MV*0701412**	1.02	0.92
EA*4X36*21A*	*9MV*0802120A**	EN(A,D)4X37*17**	*8MV*0901716**	0.92	0.99	EN(A,D)4X37*17**	*8MV*0901716**	1.02	0.93
EA*4X36*21A*	*9MV*1002120A**	EN(A,D)4X37*17**	*9MX*0601714A**	0.93	0.99	EN(A,D)4X37*17**	*9MX*0601714A**	1.02	0.95
EA*4X36*21A*	*9MA*0601714A**	EN(A,D)4X37*17**	*9MX*0801716A**	0.93	0.98	EN(A,D)4X37*17**	*9MX*0801716A**	1.02	0.93
EA*4X36*21A*	*9MA*0801714A**	EN(A,D)4X37*17**	*9MV*0601714A**	0.93	0.98	EN(A,D)4X37*17**	*9MV*0601714A**	1.02	0.95
EA*4X36*21A*	*9MA*0802120A**	EN(A,D)4X37*17**	*9MV*0801716A**	0.92	0.98	EN(A,D)4X37*17**	*9MV*0801716A**	1.01	0.92
EA*4X36*21A*	*9MA*1002122A**	EN(A,D)4X37*17**	*9MA*0601714A**	0.92	0.99	EN(A,D)4X37*17**	*9MA*0601714A**	1.01	0.93
EA*4X36*21A*	*9MA*0602120A**	EN(A,D)4X37*17**	*9MA*0801714A**	0.92	0.98	EN(A,D)4X37*17**	*9MA*0801714A**	1.01	0.92
EA*4X36*21A*	*9MV*1002116A**	EN(A,D)4X37*17**	*9MVX040	0.94	0.99	EN(A,D)4X37*17**	*9MVX040	1.02	1.01
EA*4X36*21A*	*9MA*1002120A**	EN(A,D)4X37*17**	*9MVX060	0.91	0.98	EN(A,D)4X37*17**	*9MVX060	1.03	0.98
EA*4X36*21A*		EN(A,D)4X37*17**	OLV098A12A	0.99	1.00	EN(A,D)4X37*17**	OLV098A12A	1.02	0.96
EA*4X42*21A*	*8MX*0701716**	EN(A,D)4X37*17**	OMV098J12A	0.95	1.00	EN(A,D)4X37*17**	OMV098J12A	1.02	0.97
EA*4X42*21A*	*8MX*0902116**	EN(A,D)4X37*17**	OMV112K14A	0.91	1.01	EN(A,D)4X37*17**	OMV112K14A	1.02	0.97
EA*4X42*21A*	*8MX*1102120**	EN(A,D)4X37*17**	*9MPV050	0.92	1.01	EN(A,D)4X37*17**	*9MPV050	1.02	1.01
EA*4X42*21A*		EN(A,D)4X37*17**	*9MPV075	0.90	0.99	EN(A,D)4X37*17**	*9MPV075	1.02	1.01

COOLING Multiplying Factors for other Indoor Combinations

Indoor Model	Furnace Model	CAPACITY (MBh)	Power (AMPS)	Indoor Model	Furnace Model	CAPACITY (MBh)	Power (AMPS)
EA*4X42*21A*	*8MV*1102120**	1.00	0.91	EN(A,D)4X37*17**		1.03	1.02
EA*4X42*21A*	*9MX*0601714A**	0.99	0.94	EN(A,D)4X37*17**	*8MPV050	1.02	1.01
EA*4X42*21A*	*9MX*0801716A**	1.00	0.95	EN(A,D)4X37*17**	*8MPV075	1.03	0.96
EA*4X42*21A*	*9MX*1002120A**	1.02	0.95	EN(A,D)4X43*24**	*8MX*0902116**	1.03	0.94
EA*4X42*21A*	*9MV*0601714A**	0.99	0.95	EN(A,D)4X43*24**	*8MX*1102120**	1.03	0.94
EA*4X42*21A*	*9MV*0801716A**	1.00	0.95	EN(A,D)4X43*24**	*8MV*1102120**	1.02	0.93
EA*4X42*21A*	*9MV*0802120A**	1.00	0.91	EN(A,D)4X43*24**	*8MV*1352422**	1.02	0.93
EA*4X42*21A*	*9MV*1002120A**	1.00	0.91	EN(A,D)4X43*24**	*9MX*1002120A**	1.05	0.96
EA*4X42*21A*	*9MA*0601714A**	0.98	0.93	EN(A,D)4X43*24**	*9MV*0802120A**	1.03	0.92
EA*4X42*21A*	*9MA*0801714A**	0.99	0.91	EN(A,D)4X43*24**	*9MV*1002120A**	1.03	0.92
EA*4X42*21A*	*9MA*0802120A**	0.99	0.90	EN(A,D)4X43*24**	*9MV*1202422A**	1.02	0.89
EA*4X42*21A*	*9MA*1002122A**	0.99	0.90	EN(A,D)4X43*24**	*9MA*0802120A**	1.02	0.91
EA*4X42*21A*	*9MA*0602120A**	0.99	0.92	EN(A,D)4X43*24**	*9MA*1002122A**	1.02	0.91
EA*4X42*21A*	*9MV*1002116A**	1.00	0.92	EN(A,D)4X43*24**	*9MA*1202422A**	1.02	0.89
EA*4X42*21A*	*9MA*1002120A**	0.99	0.92	EN(A,D)4X43*24**	*9MA*0602120A**	1.02	0.92
EA*4X42*21A*		1.01	1.00	EN(A,D)4X43*24**	*9MVX080	1.03	0.94
EA*4X42*24A*	*8MX*0902116**	1.01	0.91	EN(A,D)4X43*24**	*9MVX100	1.03	0.94
EA*4X42*24A*	*8MX*1102120**	1.01	0.92	EN(A,D)4X43*24**	*9MV*1002116A**	1.02	0.92
EA*4X42*24A*	*8MV*1102120**	1.00	0.91	EN(A,D)4X43*24**	*9MA*1002120A**	1.02	0.92
EA*4X42*24A*	*8MV*1352422**	1.00	0.91	EN(A,D)4X43*24**	OLV112A16A	1.03	0.94
EA*4X42*24A*	*9MX*1002120A**	1.02	0.95	EN(A,D)4X43*24**	OLV154F20A	1.03	0.94
EA*4X42*24A*	*9MV*0802120A**	1.00	0.91	EN(A,D)4X43*24**	*9MPV100	1.03	0.94
EA*4X42*24A*	*9MV*1002120A**	1.00	0.91	EN(A,D)4X43*24**	*9MPV125	1.03	0.94
EA*4X42*24A*	*9MV*1202422A**	1.00	0.91	EN(A,D)4X43*24**		1.04	1.03
EA*4X42*24A*	*9MA*0802120A**	0.99	0.90	EN(A,D)4X43*24**	*8MPV100	1.03	0.94
EA*4X42*24A*	*9MA*1002122A**	0.99	0.90	EN(A,D)4X43*24**	*8MPV125	1.03	0.94
EA*4X42*24A*	*9MA*1202422A**	0.99	0.90	EN(A,D,W)4X36*17**	*8MX*0701716**	0.98	0.96
EA*4X42*24A*	*9MA*0602120A**	0.99	0.94	EN(A,D,W)4X36*17**	*8MV*0901716**	0.98	0.93
EA*4X42*24A*	*9MV*1002116A**	1.00	0.92	EN(A,D,W)4X36*17**	*9MX*0601714A**	0.98	0.94
EA*4X42*24A*	*9MA*1002120A**	0.99	0.92	EN(A,D,W)4X36*17**	*9MX*0801716A**	0.98	0.94
EA*4X42*24A*		1.00	0.99	EN(A,D,W)4X36*17**	*9MV*0601714A**	0.98	0.94
EA*4X48*17A*	*9MV*0802120A**	1.03	1.00	EN(A,D,W)4X36*17**	*9MV*0801716A**	0.98	0.94
EA*4X48*21A*	*9MV*0802120A**	1.01	0.92	EN(A,D,W)4X36*17**	*9MA*0601714A**	0.97	0.93
EA*4X48*21A*	*9MV*1002120A**	1.01	0.92	EN(A,D,W)4X36*17**	*9MA*0801714A**	0.98	0.93
EA*4X48*21A*	*9MA*0802120A**	1.01	0.91	EN(A,D,W)4X36*17**	*9MVX040	0.98	0.97

COOLING Multiplying Factors for other Indoor Combinations

Indoor Model	Furnace Model	CAPACITY (MBh)	Power (AMPS)	Indoor Model	Furnace Model	CAPACITY (MBh)	Power (AMPS)
EA*4X48*21A*	*9MA*1002122A**	1.01	0.92	EN(A,D,W)4X36*17**	*9MVX060	0.99	0.98
EA*4X48*21A*	*9MA*0602120A**	1.00	0.93	EN(A,D,W)4X36*17**	OLV098A12A	0.98	0.97
EA*4X48*21A*		1.02	1.01	EN(A,D,W)4X36*17**	OMV098J12A	0.98	0.97
EA*4X48*24A*		1.02	1.01	EN(A,D,W)4X36*17**	OMV112K14A	0.99	0.98
ED*4X36B**	*8MV*0701412**	0.96	0.91	EN(A,D,W)4X36*17**		1.00	0.99
ED*4X36B**		0.96	0.96	EN(A,D,W)4X36*17**	*9MPV050	0.98	0.97
ED*4X36B**	MV08B15**B*	0.97	0.90	EN(A,D,W)4X36*17**	*9MPV075	0.98	0.97
ED*4X36F**	*8MX*0701716**	0.99	0.96	EN(A,D,W)4X42*21**	*8MX*0902116**	1.01	0.91
ED*4X36F**	*8MV*0901716**	0.99	0.92	EN(A,D,W)4X42*21**	*8MX*1102120**	1.01	0.91
ED*4X36F**	*9MX*0601714A**	0.99	0.94	EN(A,D,W)4X42*21**	*8MV*1102120**	1.00	0.93
ED*4X36F**	*9MX*0601714A**	0.99	0.94	EN(A,D,W)4X42*21**	*9MX*0601714A**	0.99	0.95
ED*4X36F**	*9MX*0801716A**	0.99	0.94	EN(A,D,W)4X42*21**	*9MX*0801716A**	0.99	0.94
ED*4X36F**	*9MX*0801716A**	0.99	0.94	EN(A,D,W)4X42*21**	*9MX*1002120A**	1.01	0.94
ED*4X36F**	*9MV*0601714A**	0.98	0.94	EN(A,D,W)4X42*21**	*9MV*0601714A**	0.99	0.95
ED*4X36F**	*9MV*0801716A**	0.99	0.94	EN(A,D,W)4X42*21**	*9MV*0801716A**	1.00	0.95
ED*4X36F**	*9MV*0802120A**	0.99	0.92	EN(A,D,W)4X42*21**	*9MV*0802120A**	0.99	0.93
ED*4X36F**	*9MV*1002120A**	0.99	0.92	EN(A,D,W)4X42*21**	*9MV*1002120A**	0.99	0.92
ED*4X36F**	*9MA*0601714A**	0.98	0.93	EN(A,D,W)4X42*21**	*9MA*0601714A**	0.98	0.94
ED*4X36F**	*9MA*0601714A**	0.98	0.93	EN(A,D,W)4X42*21**	*9MA*0801714A**	0.99	0.94
ED*4X36F**	*9MA*0801714A**	0.98	0.93	EN(A,D,W)4X42*21**	*9MA*0802120A**	0.99	0.93
ED*4X36F**	*9MA*0801714A**	0.98	0.93	EN(A,D,W)4X42*21**	*9MA*1002122A**	0.99	0.93
ED*4X36F**	*9MA*0802120A**	0.98	0.92	EN(A,D,W)4X42*21**	*9MA*0602120A**	0.99	0.92
ED*4X36F**	*9MA*1002122A**	0.99	0.92	EN(A,D,W)4X42*21**	*9MVX040	0.99	0.99
ED*4X36F**	*9MA*0602120A**	0.98	0.93	EN(A,D,W)4X42*21**	*9MVX060	1.00	0.99
ED*4X36F**	*9MVX040	0.98	0.97	EN(A,D,W)4X42*21**	*9MVX080	1.01	0.96
ED*4X36F**	*9MVX060	0.99	0.97	EN(A,D,W)4X42*21**	*9MV*1002116A**	1.00	0.92
ED*4X36F**	*9MV*1002116A**	0.99	0.94	EN(A,D,W)4X42*21**	*9MA*1002120A**	0.99	0.92
ED*4X36F**	*9MA*1002120A**	0.98	0.93	EN(A,D,W)4X42*21**	OLV098A12A	0.99	0.98
ED*4X36F**	*9MA*1002120A**	0.98	0.93	EN(A,D,W)4X42*21**	OLV112A16A	1.00	0.95
ED*4X36F**	OLV098A12A	0.98	0.97	EN(A,D,W)4X42*21**	OMV098J12A	0.99	0.99
ED*4X36F**	OLV112A16A	0.99	0.99	EN(A,D,W)4X42*21**	OMV112K14A	0.99	0.94
ED*4X36F**	OMV098J12A	0.98	0.97	EN(A,D,W)4X42*21**		1.01	1.00
ED*4X36F**	OMV112K14A	0.99	0.94	EN(A,D,W)4X42*21**	*9MPV050	0.99	0.99
ED*4X36F**	*8MPV075	0.99	0.94	EN(A,D,W)4X42*21**	*9MPV075	0.99	0.99
ED*4X36F**	*9MPV050	0.98	0.97	EN(A,D,W)4X42*21**	*9MPV100	1.01	0.96

COOLING Multiplying Factors for other Indoor Combinations

Indoor Model	Furnace Model	CAPACITY (MBh)	Power (AMPS)	Indoor Model	Furnace Model	CAPACITY (MBh)	Power (AMPS)
ED*4X36F**	*9MPV075	0.99	0.96	EN(A,D,W)4X48*21**	*8MX*0902116**	1.02	0.91
ED*4X36F**	MV12F19**B*	0.99	0.90	EN(A,D,W)4X48*21**	*8MX*1102120**	1.03	0.92
ED*4X36J**	*8MX*0902116**	1.00	0.91	EN(A,D,W)4X48*21**	*9MX*0601714A**	1.02	0.94
ED*4X36J**	*8MX*1102120**	1.01	0.91	EN(A,D,W)4X48*21**	*9MX*0801716A**	1.02	0.94
ED*4X36J**	*8MV*1102120**	0.99	0.92	EN(A,D,W)4X48*21**	*9MV*0802120A**	1.02	0.92
ED*4X36J**	*9MV*0802120A**	0.99	0.92	EN(A,D,W)4X48*21**	*9MV*1002120A**	1.02	0.92
ED*4X36J**	*9MV*1002120A**	0.99	0.93	EN(A,D,W)4X48*21**	*9MA*0601714A**	1.00	0.92
ED*4X36J**	*9MV*1202422A**	0.99	0.92	EN(A,D,W)4X48*21**	*9MA*0801714A**	1.01	0.91
ED*4X36J**	*9MA*0802120A**	0.98	0.89	EN(A,D,W)4X48*21**	*9MA*0802120A**	1.01	0.91
ED*4X36J**	*9MA*1002122A**	0.99	0.90	EN(A,D,W)4X48*21**	*9MA*1002122A**	1.01	0.92
ED*4X36J**	*9MA*1202422A**	0.98	0.91	EN(A,D,W)4X48*21**	*9MA*0602120A**	1.01	0.93
ED*4X36J**	*9MA*0602120A**	0.98	0.92	EN(A,D,W)4X48*21**	*9MV*1002116A**	1.02	0.92
ED*4X36J**	*9MVX080	1.01	0.94	EN(A,D,W)4X48*21**	*9MA*1002120A**	1.01	0.91
ED*4X36J**	*9MV*1002116A**	0.99	0.94	EN(A,D,W)4X48*21**		1.02	1.01
ED*4X36J**	*9MA*1002120A**	0.98	0.91	END4X42*17**	*8MX*0701716**	1.00	0.93
ED*4X36J**	OLV112A16A	0.99	0.94	END4X42*17**	*8MV*0901716**	1.00	0.93
ED*4X36J**		1.00	1.00	END4X42*17**	*9MX*0601714A**	1.01	0.95
ED*4X36J**	*8MPV100	1.01	0.94	END4X42*17**	*9MX*0801716A**	1.01	0.93
ED*4X36J**	*8MPV125	1.01	0.94	END4X42*17**	*9MV*0601714A**	1.00	0.95
ED*4X36J**	*9MPV100	1.01	0.95	END4X42*17**	*9MV*0801716A**	1.01	0.93
ED*4X36J**	MV16J22**B*	1.00	0.91	END4X42*17**	*9MA*0601714A**	0.99	0.94
ED*4X42F**	*9MX*0601714A**	0.99	0.95	END4X42*17**	*9MA*0801714A**	0.99	0.92
ED*4X42F**	*9MX*0801716A**	0.99	0.94	END4X42*17**	*9MVX040	1.00	0.99
ED*4X42F**	*9MV*0601714A**	0.99	0.95	END4X42*17**	*9MVX060	1.01	1.00
ED*4X42F**	*9MV*0801716A**	0.99	0.94	END4X42*17**	OLV098A12A	1.00	0.99
ED*4X42F**	*9MV*1002120A**	0.99	0.93	END4X42*17**	OMV098J12A	1.00	0.99
ED*4X42F**	*9MA*0601714A**	0.98	0.90	END4X42*17**	OMV112K14A	1.01	0.95
ED*4X42F**	*9MA*0801714A**	0.99	0.93	END4X42*17**		1.00	0.99
ED*4X42F**	*9MA*0801714A**	0.99	0.94	END4X42*17**	*9MPV050	1.00	0.99
ED*4X42F**	*9MA*0802120A**	0.99	0.90	END4X42*17**	*9MPV075	1.00	0.99
ED*4X42F**	*9MA*1002122A**	0.99	0.90	ENH4X36*17**	*8MX*0701716**	0.98	0.97
ED*4X42F**	*9MA*0602120A**	0.99	0.94	ENH4X36*17**	*8MX*0902116**	0.99	0.92
ED*4X42F**	*9MVX040	0.99	0.96	ENH4X36*17**	*8MX*1102120**	0.99	0.93
ED*4X42F**	*9MVX060	1.00	0.97	ENH4X36*17**	*8MV*0701412**	0.98	0.93
ED*4X42F**	*9MV*1002116A**	1.00	0.92	ENH4X36*17**	*8MV*0901716**	0.98	0.93



COOLING Multiplying Factors for other Indoor Combinations

Indoor Model	Furnace Model	CAPACITY (MBh)	Power (AMPS)	Indoor Model	Furnace Model	CAPACITY (MBh)	Power (AMPS)
ED*4X42F**	*9MA*1002120A**	0.99	0.91	ENH4X36*17**	*8MV*1102120**	0.99	0.94
ED*4X42F**	OLV098A12A	0.99	0.98	ENH4X36*17**	*8MV*1352422**	0.99	0.92
ED*4X42F**	OLV112A16A	1.00	0.95	ENH4X36*17**	*9MX*0601714A**	0.98	0.94
ED*4X42F**	OMV098J12A	0.99	0.99	ENH4X36*17**	*9MX*0801716A**	0.98	0.94
ED*4X42F**	OMV112K14A	0.99	0.94	ENH4X36*17**	*9MV*0601714A**	0.98	0.94
ED*4X42F**	*8MPV075	1.00	0.99	ENH4X36*17**	*9MV*0801716A**	0.98	0.94
ED*4X42F**	*9MPV050	1.01	0.95	ENH4X36*17**	*9MV*1202422A**	0.98	0.91
ED*4X42F**	*9MPV075	0.99	0.97	ENH4X36*17**	*9MA*0601714A**	0.97	0.93
ED*4X42F**	MV12F19**B*	0.99	0.97	ENH4X36*17**	*9MA*0801714A**	0.98	0.93
ED*4X42J**	*8MX*0902116**	1.01	0.91	ENH4X36*17**	*9MA*1202422A**	0.98	0.91
ED*4X42J**	*8MX*1102120**	1.01	0.91	ENH4X36*17**	*9MVX040	0.98	0.97
ED*4X42J**	*8MV*1102120**	1.01	0.92	ENH4X36*17**	*9MVX060	0.99	0.98
ED*4X42J**	*9MV*1102120**	0.99	0.90	ENH4X36*17**	*9MVX080	1.00	0.99
ED*4X42J**	*9MV*0802120A**	1.00	0.91	ENH4X36*17**	*9MVX100	0.99	0.94
ED*4X42J**	*9MV*1002120A**	1.00	0.91	ENH4X36*17**	*9MV*1002116A**	0.98	0.94
ED*4X42J**	*9MV*1202422A**	1.00	0.91	ENH4X36*17**	*9MA*1002120A**	0.98	0.93
ED*4X42J**	*9MA*0802120A**	0.99	0.90	ENH4X36*17**	OLV098A12A	0.98	0.97
ED*4X42J**	*9MA*1002122A**	0.99	0.90	ENH4X36*17**	OLV112A16A	0.99	0.98
ED*4X42J**	*9MA*1202422A**	0.99	0.90	ENH4X36*17**	OLV154F20A	1.01	0.96
ED*4X42J**	*9MA*0602120A**	0.99	0.92	ENH4X36*17**	OMV098J12A	0.98	0.97
ED*4X42J**	*9MVX080	1.02	0.95	ENH4X36*17**	OMV112K14A	0.99	0.98
ED*4X42J**	*9MV*1002116A**	1.00	0.92	ENH4X36*17**		1.00	0.99
ED*4X42J**	*9MA*1002120A**	0.99	0.92	ENH4X36*17**	*9MPV050	0.98	0.97
ED*4X42J**	OLV112A16A	1.00	0.95	ENH4X36*17**	*9MPV075	0.98	0.97
ED*4X42J**	*8MPV100	1.01	1.00	ENH4X36*17**	*9MPV100	0.99	0.99
ED*4X42J**	*8MPV125	1.02	0.95	ENH4X36*17**	*9MPV125	0.99	0.94
ED*4X42J**	*9MPV100	1.02	0.92	ENH4X42*21**	*8MX*0701716**	0.99	0.97
ED*4X42J**	MV16J22**B*	1.01	0.94	ENH4X42*21**	*8MX*0902116**	1.01	0.91
ED*4X42L**	*8MV*1352422**	0.99	0.90	ENH4X42*21**	*8MX*1102120**	1.01	0.91
ED*4X42L**	*9MV*0802120A**	1.00	0.91	ENH4X42*21**	*8MV*0701412**	0.99	0.94
ED*4X42L**	*9MV*1002120A**	1.00	0.91	ENH4X42*21**	*8MV*0901716**	0.99	0.93
ED*4X42L**	*9MV*1202422A**	1.00	0.91	ENH4X42*21**	*8MV*1102120**	1.00	0.93
ED*4X42L**	*9MA*0802120A**	0.99	0.90	ENH4X42*21**	*8MV*1352422**	0.99	0.90
ED*4X42L**	*9MA*1002120A**	0.99	0.90	ENH4X42*21**	*9MX*0601714A**	0.99	0.95
ED*4X42L**	*9MA*1202422A**	0.99	0.90	ENH4X42*21**	*9MX*0801716A**	0.99	0.94

COOLING Multiplying Factors for other Indoor Combinations

Indoor Model	Furnace Model	Indoor Model	Furnace Model	Power (AMPS)	CAPACITY (MBh)	Indoor Model	Furnace Model	CAPACITY (MBh)	Power (AMPS)
ED*4X42L**	*9MA*1202422A**	ENH4X42*21**	*9MX*1002120A**	0.90	0.99	ENH4X42*21**	*9MX*1002120A**	1.01	0.94
ED*4X42L**	*9MA*0602120A**	ENH4X42*21**	*9MV*0601714A**	0.92	0.99	ENH4X42*21**	*9MV*0601714A**	0.99	0.95
ED*4X42L**	*9MVX100	ENH4X42*21**	*9MV*0801716A**	0.92	1.01	ENH4X42*21**	*9MV*0801716A**	1.00	0.95
ED*4X42L**	*9MV*1002116A**	ENH4X42*21**	*9MV*0802120A**	0.92	1.00	ENH4X42*21**	*9MV*0802120A**	0.99	0.93
ED*4X42L**	*9MA*1002120A**	ENH4X42*21**	*9MV*1002120A**	0.92	0.99	ENH4X42*21**	*9MV*1002120A**	0.99	0.92
ED*4X42L**	OLV112A16A	ENH4X42*21**	*9MV*1202422A**	0.95	1.00	ENH4X42*21**	*9MV*1202422A**	0.99	0.92
ED*4X42L**	OLV154F20A	ENH4X42*21**	*9MA*0601714A**	0.95	1.02	ENH4X42*21**	*9MA*0601714A**	0.98	0.94
ED*4X42L**	*9MPV125	ENH4X42*21**	*9MA*0801714A**	1.00	1.01	ENH4X42*21**	*9MA*0801714A**	0.99	0.94
ED*4X42L**	MV20L24**B*	ENH4X42*21**	*9MA*0802120A**	0.95	1.02	ENH4X42*21**	*9MA*0802120A**	0.99	0.93
ED*4X48F**	*8MX*0701716**	ENH4X42*21**	*9MA*1002122A**	0.91	1.01	ENH4X42*21**	*9MA*1002122A**	0.99	0.93
ED*4X48J**	*9MV*0802120A**	ENH4X42*21**	*9MA*1202422A**	0.95	1.02	ENH4X42*21**	*9MA*1202422A**	0.99	0.92
ED*4X48J**	*9MV*1002120A**	ENH4X42*21**	*9MA*0602120A**	0.92	1.01	ENH4X42*21**	*9MA*0602120A**	0.99	0.92
EHD4X36A**	*9MV*0601714A**	ENH4X42*21**	*9MVX040	0.92	1.01	ENH4X42*21**	*9MVX040	0.99	0.99
EHD4X36A**	*9MX*0801716A**	ENH4X42*21**	*9MVX060	0.96	1.01	ENH4X42*21**	*9MVX060	1.00	0.99
EHD4X36A**	*9MX*0801716A**	ENH4X42*21**	*9MVX080	0.93	1.01	ENH4X42*21**	*9MVX080	1.01	0.96
EHD4X36A**	*9MX*1002120A**	ENH4X42*21**	*9MVX100	0.96	1.03	ENH4X42*21**	*9MVX100	1.01	0.95
EHD4X36A**	*9MV*0601714A**	ENH4X42*21**	*9MV*1002116A**	0.95	1.01	ENH4X42*21**	*9MV*1002116A**	1.00	0.92
EHD4X36A**	*9MV*0801716A**	ENH4X42*21**	*9MA*1002120A**	0.93	1.01	ENH4X42*21**	*9MA*1002120A**	0.99	0.92
EHD4X36A**	*9MV*0802120A**	ENH4X42*21**	OLV098A12A	0.91	1.01	ENH4X42*21**	OLV098A12A	0.99	0.98
EHD4X36A**	*9MV*1002120A**	ENH4X42*21**	OLV112A16A	0.91	1.01	ENH4X42*21**	OLV112A16A	1.00	0.95
EHD4X36A**	*9MV*1202422A**	ENH4X42*21**	OLV154F20A	0.91	1.01	ENH4X42*21**	OLV154F20A	1.02	0.97
EHD4X36A**	*9MA*0601714A**	ENH4X42*21**	OMV098J12A	0.94	0.99	ENH4X42*21**	OMV098J12A	0.99	0.99
EHD4X36A**	*9MA*0801714A**	ENH4X42*21**	OMV112K14A	0.92	1.00	ENH4X42*21**	OMV112K14A	0.99	0.94
EHD4X36A**	*9MA*0802120A**	ENH4X42*21**		0.91	1.01	ENH4X42*21**		1.01	1.00
EHD4X36A**	*9MA*1002122A**	ENH4X42*21**	*9MPV050	0.92	1.01	ENH4X42*21**	*9MPV050	0.99	0.99
EHD4X36A**	*9MA*1202422A**	ENH4X42*21**	*9MPV075	0.91	1.01	ENH4X42*21**	*9MPV075	0.99	0.99
EHD4X36A**	*9MA*0602120A**	ENH4X42*21**	*9MPV100	0.93	1.00	ENH4X42*21**	*9MPV100	1.01	0.96
EHD4X36A**	*9MVX040	ENH4X42*21**	*9MPV125	0.97	0.98	ENH4X42*21**	*9MPV125	1.01	0.96
EHD4X36A**	*9MVX060	ENH4X43*21**	*8MX*0451408**	0.97	0.99	ENH4X43*21**	*8MX*0451408**	1.03	1.02
EHD4X36A**	*9MVX080	ENH4X43*21**	*8MX*0701716**	0.94	1.01	ENH4X43*21**	*8MX*0701716**	1.03	0.96
EHD4X36A**	*9MVX100	ENH4X43*21**	*8MX*0902116**	0.92	1.02	ENH4X43*21**	*8MX*0902116**	1.03	0.94
EHD4X36A**	*9MV*1002116A**	ENH4X43*21**	*8MX*1102120**	0.93	1.01	ENH4X43*21**	*8MX*1102120**	1.03	0.94
EHD4X36A**	*9MA*1002120A**	ENH4X43*21**	*8MV*0701412**	0.93	1.01	ENH4X43*21**	*8MV*0701412**	1.02	0.92
EHD4X36A**	OLV098A12A	ENH4X43*21**	*8MV*0901716**	1.00	1.01	ENH4X43*21**	*8MV*0901716**	1.02	0.93
EHD4X36A**	OLV112A16A	ENH4X43*21**	*8MV*1102120**	0.96	1.02	ENH4X43*21**	*8MV*1102120**	1.02	0.93

COOLING Multiplying Factors for other Indoor Combinations

Indoor Model	Furnace Model	CAPACITY (MBh)	Power (AMPS)	Indoor Model	Furnace Model	CAPACITY (MBh)	Power (AMPS)
EHD4X36A**	OLV154F20A	1.03	0.96	ENH4X43*21**	*8MV*1352422**	1.02	0.93
EHD4X36A**	OMV098J12A	1.01	1.00	ENH4X43*21**	*9MX*0601714A**	1.03	0.95
EHD4X36A**	OMV112K14A	1.01	0.94	ENH4X43*21**	*9MX*0801716A**	1.02	0.93
EHD4X36A**		1.01	1.00	ENH4X43*21**	*9MX*1002120A**	1.05	0.95
EHD4X36A**	*8MPV050	1.00	0.97	ENH4X43*21**	*9MV*0601714A**	1.01	0.93
EHD4X36A**	*8MPV075	0.99	0.92	ENH4X43*21**	*9MV*0801716A**	1.01	0.92
EHD4X36A**	*8MPV100	0.99	0.90	ENH4X43*21**	*9MV*0802120A**	1.02	0.93
EHD4X36A**	*8MPV125	0.99	0.90	ENH4X43*21**	*9MV*1002120A**	1.03	0.92
EHD4X36A**	*9MPV050	1.00	0.97	ENH4X43*21**	*9MV*1202422A**	1.02	0.92
EHD4X36A**	*9MPV075	0.99	0.94	ENH4X43*21**	*9MA*0601714A**	1.01	0.93
EHD4X36A**	*9MPV100	0.99	0.92	ENH4X43*21**	*9MA*0801714A**	1.01	0.92
EHD4X36A**	*9MPV125	0.99	0.90	ENH4X43*21**	*9MA*0802120A**	1.02	0.91
EHD4X42A**	MV08B15**B*	0.99	0.90	ENH4X43*21**	*9MA*1002122A**	1.02	0.91
EHD4X42A**	MV12F19**B*	0.99	0.90	ENH4X43*21**	*9MA*1202422A**	1.02	0.92
EHD4X42A**	MV16J22**B*	0.99	0.90	ENH4X43*21**	*9MA*0602120A**	1.01	0.92
EHD4X42A**	MV20L24**B*	0.99	0.90	ENH4X43*21**	*9MVX040	1.02	1.01
EHD4X42A**	*9MX*0601714A**	1.02	0.94	ENH4X43*21**	*9MVX060	1.03	0.98
EHD4X42A**	*9MX*0801716A**	1.02	0.94	ENH4X43*21**	*9MVX080	1.03	0.98
EHD4X42A**	*9MX*1002120A**	1.04	0.94	ENH4X43*21**	*9MVX100	1.03	0.94
EHD4X42A**	*9MV*0601714A**	1.01	0.96	ENH4X43*21**	*9MV*1002116A**	1.02	0.92
EHD4X42A**	*9MV*0801716A**	1.02	0.94	ENH4X43*21**	*9MA*1002120A**	1.02	0.92
EHD4X42A**	*9MV*0802120A**	1.02	0.92	ENH4X43*21**	OLV098A12A	1.02	0.95
EHD4X42A**	*9MV*1002120A**	1.02	0.92	ENH4X43*21**	OLV112A16A	1.03	0.96
EHD4X42A**	*9MV*1202422A**	1.02	0.92	ENH4X43*21**	OLV154F20A	1.03	0.92
EHD4X42A**	*9MA*0601714A**	1.00	0.92	ENH4X43*21**	OMV098J12A	1.02	0.95
EHD4X42A**	*9MA*0801714A**	1.01	0.93	ENH4X43*21**	OMV112K14A	1.02	0.93
EHD4X42A**	*9MA*0802120A**	1.01	0.92	ENH4X43*21**	*9MPV050	1.02	1.01
EHD4X42A**	*9MA*1002122A**	1.02	0.92	ENH4X43*21**	*9MPV075	1.03	0.98
EHD4X42A**	*9MA*1202422A**	1.01	0.92	ENH4X43*21**	*9MPV100	1.03	0.98
EHD4X42A**	*9MA*0602120A**	1.01	0.93	ENH4X43*21**	*9MPV125	1.03	0.94
EHD4X42A**	*9MVX040	0.99	0.96	ENH4X43*21**		1.03	1.02
EHD4X42A**	*9MVX060	1.00	0.97	ENH4X43*21**	*8MPV050	1.02	1.01
EHD4X42A**	*9MVX080	1.02	0.95	ENH4X43*21**	*8MPV075	1.03	0.94
EHD4X42A**	*9MVX100	1.01	0.92	ENH4X43*21**	*8MPV100	1.03	0.94
EHD4X42A**	*9MV*1002116A**	1.02	0.92	ENH4X43*21**	*8MPV125	1.03	0.94

COOLING Multiplying Factors for other Indoor Combinations						
Indoor Model	Furnace Model	CAPACITY (MBh)	Power (AMPS)	Indoor Model	Furnace Model	Power (AMPS)
EHD4X42A**	*9MA*1002120A**	1.01	0.92	ENH4X48*21**	*8MV*0901716**	0.90
EHD4X42A**	OLV098A12A	1.01	0.96	ENH4X48*21**	*9MX*0601714A**	0.94
EHD4X42A**	OLV112A16A	1.02	0.95	ENH4X48*21**	*9MX*0801716A**	0.94
EHD4X42A**	OLV154F20A	1.03	0.94	ENH4X48*21**	*9MA*0601714A**	0.92
EHD4X42A**	OMV098J12A	1.01	0.96	ENH4X48*21**	*9MA*0801714A**	0.91
EHD4X42A**	OMV112K14A	1.02	0.95	ENH4X48*21**	*9MA*0802120A**	0.91
EHD4X42A**		1.00	0.99	ENH4X48*21**	*9MA*1002122A**	0.92
EHD4X42A**	*8MPV050	1.00	0.97	ENH4X48*21**	*9MA*1202422A**	0.91
EHD4X42A**	*8MPV075	1.01	0.94	ENH4X48*21**	*9MA*0602120A**	0.93
EHD4X42A**	*8MPV100	1.02	0.92	ENH4X48*21**	*9MA*1002120A**	0.91
EHD4X42A**	*8MPV125	1.01	0.92	FEA4X36**A*		0.93
EHD4X42A**	*9MPV050	1.01	0.98	FEM4P36**A*		0.96
EHD4X42A**	*9MPV075	1.01	0.95	FEM4P36**A*		0.99
EHD4X42A**	*9MPV100	1.01	0.94	FEM4P42**A*		0.95
EHD4X42A**	*9MPV125	1.01	0.92	FEM4P42**A*		0.93
EHD4X42A**	MV08B15**B*	1.01	0.91	FEM4X36****		0.95
EHD4X42A**	MV12F19**B*	1.01	0.91	FEM4X42****		0.96
EHD4X42A**	MV16J22**B*	1.01	0.91	FS(M,U)4P36**A*		0.97
EHD4X42A**	MV20L24**B*	1.01	0.91	FS(M,U)4P36**A*		0.97
EHD4X48A**	*9MA*0802120A**	1.01	0.92	FS(M,U)4P42**A*		0.99
EHD4X48A**	*9MA*1002122A**	1.02	0.92	FS(M,U)4P42**A*		1.00
EHD4X48A**	*9MA*0602120A**	1.01	0.94	FS(M,U)4X42****		1.00
EMA4X36D**		1.00	1.00	FSA4X36**A*		1.01
EN(A,D)4X36*21**	*8MX*0902116**	0.99	0.92	FSM4X36****		1.00
EN(A,D)4X36*21**	*8MX*1102120**	0.99	0.93	FVM4X36****		0.90
EN(A,D)4X36*21**	*8MV*1102120**	0.99	0.94	FVM4X48****		0.94
EN(A,D)4X36*21**	*9MX*0601714A**	0.98	0.94	FVM4X60****		0.94
EN(A,D)4X36*21**	*9MX*0801716A**	0.98	0.94	FXM4X36**A*		0.91
EN(A,D)4X36*21**	*9MX*1002120A**	1.00	0.95	FXM4X42**A*		0.91
				FXM4X48**A*		0.92
COOLING Multiplying Factors for other Indoor Combinations						
Indoor Model	Furnace Model	CAPACITY (MBh)	Power (AMPS)	Indoor Model	Furnace Model	Power (AMPS)
*ED*4X42J**		1.00	1.00	EHD4X48A**	*9MV*0802120A**	0.93

N4A342

COOLING Multiplying Factors for other Indoor Combinations

Indoor Model	Furnace Model	CAPACITY (MBh)	Power (AMPS)	Indoor Model	Furnace Model	CAPACITY (MBh)	Power (AMPS)
EA*4X42*21A*	*8MX*0701716**	0.98	0.96	EHD4X48A**	*9MV*1002120A**	1.00	0.92
EA*4X42*21A*	*8MX*0902116**	0.99	0.93	EHD4X48A**	*9MV*1202422A**	1.00	0.92
EA*4X42*21A*	*8MX*1102120**	0.99	0.93	EHD4X48A**	*9MA*0601714A**	0.99	0.95
EA*4X42*21A*	*8MV*0901716**	0.98	0.92	EHD4X48A**	*9MA*0801714A**	1.00	0.96
EA*4X42*21A*	*8MV*1102120**	0.98	0.92	EHD4X48A**	*9MA*0802120A**	1.00	0.92
EA*4X42*21A*	*9MX*0601714A**	0.98	0.96	EHD4X48A**	*9MA*1002122A**	1.01	0.93
EA*4X42*21A*	*9MX*0801716A**	0.98	0.94	EHD4X48A**	*9MA*1202422A**	1.00	0.92
EA*4X42*21A*	*9MX*0802120A**	0.99	0.94	EHD4X48A**	*9MA*0602120A**	1.00	0.94
EA*4X42*21A*	*9MX*1002120A**	0.99	0.93	EHD4X48A**	*9MVX060	1.00	0.98
EA*4X42*21A*	*9MV*0601714A**	0.98	0.96	EHD4X48A**	*9MVX080	1.01	0.95
EA*4X42*21A*	*9MV*0801716A**	0.98	0.94	EHD4X48A**	*9MVX100	1.00	0.92
EA*4X42*21A*	*9MV*0802120A**	0.98	0.92	EHD4X48A**	*9MX*1002116A**	1.00	0.93
EA*4X42*21A*	*9MV*1002120A**	0.98	0.92	EHD4X48A**	*9MV*1002116A**	1.01	0.97
EA*4X42*21A*	*9MA*0601714A**	0.96	0.93	EHD4X48A**	*9MA*1002120A**	1.00	0.93
EA*4X42*21A*	*9MA*0801714A**	0.98	0.94	EHD4X48A**	OLV112A16A	1.01	0.99
EA*4X42*21A*	*9MA*0802120A**	0.98	0.92	EHD4X48A**	OLV154F20A	1.04	0.97
EA*4X42*21A*	*9MA*1002122A**	0.99	0.93	EHD4X48A**	OMV112K14A	1.00	0.96
EA*4X42*21A*	*9MA*0602120A**	0.96	0.92	EHD4X48A**		1.01	1.01
EA*4X42*21A*	*9MX*1002116A**	0.98	0.94	EHD4X48A**	*8MPV075	1.01	0.99
EA*4X42*21A*	*9MV*1002116A**	0.99	0.95	EHD4X48A**	*8MPV100	1.01	0.97
EA*4X42*21A*	*9MA*1002120A**	0.98	0.93	EHD4X48A**	*8MPV125	1.02	0.98
EA*4X42*21A*	*8MX*0902116**	1.00	1.00	EHD4X48A**	*9MPV075	1.00	0.98
EA*4X42*24A*	*8MX*1102120**	0.99	0.93	EHD4X48A**	*9MPV100	1.01	0.97
EA*4X42*24A*	*8MX*1352420**	0.99	0.93	EHD4X48A**	*9MPV125	1.02	1.01
EA*4X42*24A*	*8MV*1102120**	0.98	0.92	EHD4X48A**	MV12F19**B*	1.00	0.92
EA*4X42*24A*	*8MV*1352422**	0.99	0.91	EHD4X48A**	MV16J22**B*	1.00	0.92
EA*4X42*24A*	*9MX*0802120A**	0.99	0.94	EMA4X48D**	MV20L24**B*	1.00	0.92
EA*4X42*24A*	*9MX*1002120A**	0.99	0.93	EN(A,D)4X43*24**	*8MX*0902116**	1.01	1.01
EA*4X42*24A*	*9MX*1202422A**	0.99	0.92	EN(A,D)4X43*24**	*8MX*1102120**	1.01	0.93
EA*4X42*24A*	*9MV*0802120A**	0.99	0.93	EN(A,D)4X43*24**	*8MX*1352420**	1.01	0.93
EA*4X42*24A*	*9MV*1002120A**	0.99	0.93	EN(A,D)4X43*24**	*8MV*1102120**	1.01	0.93
EA*4X42*24A*	*9MV*1202422A**	0.99	0.92	EN(A,D)4X43*24**	*8MV*1352422**	1.01	0.93
EA*4X42*24A*	*9MA*0802120A**	0.98	0.92	EN(A,D)4X43*24**	*9MX*0802120A**	1.02	0.94
EA*4X42*24A*	*9MA*1002122A**	0.99	0.93	EN(A,D)4X43*24**	*9MX*1002120A**	1.02	0.94

COOLING Multiplying Factors for other Indoor Combinations

Indoor Model	Furnace Model	Indoor Model	Power (AMPS)	CAPACITY (MBh)	Indoor Model	Furnace Model	Power (AMPS)	CAPACITY (MBh)
EA*4X42*24A*	*9MA*1202422A**	EN(A,D)4X43*24**	0.91	0.98	EN(A,D)4X43*24**	*9MX*1202422A**	0.91	1.02
EA*4X42*24A*	*9MA*0602120A**	EN(A,D)4X43*24**	0.93	0.98	EN(A,D)4X43*24**	*9MV*0802120A**	0.93	1.01
EA*4X42*24A*	*9MX*1002116A**	EN(A,D)4X43*24**	0.93	0.98	EN(A,D)4X43*24**	*9MV*1002120A**	0.93	1.01
EA*4X42*24A*	*9MV*1002116A**	EN(A,D)4X43*24**	0.95	0.99	EN(A,D)4X43*24**	*9MV*1202422A**	0.93	1.01
EA*4X42*24A*	*9MA*1002120A**	EN(A,D)4X43*24**	0.93	0.98	EN(A,D)4X43*24**	*9MA*0802120A**	0.92	1.00
EA*4X42*24A*		EN(A,D)4X43*24**	1.00	1.00	EN(A,D)4X43*24**	*9MA*1002122A**	0.93	1.01
EA*4X48*17A*	*8MX*0701716**	EN(A,D)4X43*24**	0.97	1.00	EN(A,D)4X43*24**	*9MA*1202422A**	0.93	1.01
EA*4X48*17A*	*8MV*0701412**	EN(A,D)4X43*24**	0.96	1.00	EN(A,D)4X43*24**	*9MA*0602120A**	0.94	1.00
EA*4X48*17A*	*8MV*0901716**	EN(A,D)4X43*24**	0.94	1.00	EN(A,D)4X43*24**	*9MVX080	0.96	1.02
EA*4X48*17A*	*9MX*0601714A**	EN(A,D)4X43*24**	0.96	1.00	EN(A,D)4X43*24**	*9MVX100	0.94	1.02
EA*4X48*17A*	*9MX*0801716A**	EN(A,D)4X43*24**	0.96	1.00	EN(A,D)4X43*24**	*9MX*1002116A**	0.94	1.01
EA*4X48*17A*	*9MV*0601714A**	EN(A,D)4X43*24**	0.96	1.00	EN(A,D)4X43*24**	*9MV*1002116A**	0.92	1.00
EA*4X48*17A*	*9MV*0801716A**	EN(A,D)4X43*24**	0.96	1.00	EN(A,D)4X43*24**	*9MA*1002120A**	0.92	1.00
EA*4X48*17A*	*9MA*0601714A**	EN(A,D)4X43*24**	0.94	0.99	EN(A,D)4X43*24**	OLV112A16A	0.98	1.02
EA*4X48*17A*	*9MA*0801714A**	EN(A,D)4X43*24**	0.94	0.99	EN(A,D)4X43*24**	OLV154F20A	0.95	1.04
EA*4X48*17A*		EN(A,D)4X43*24**	0.99	0.99	EN(A,D)4X43*24**	*9MPV100	0.94	1.02
EA*4X48*21A*	*9MX*0601714A**	EN(A,D)4X43*24**	0.95	0.99	EN(A,D)4X43*24**	*9MPV125	0.94	1.02
EA*4X48*21A*	*9MX*0801716A**	EN(A,D)4X43*24**	0.96	1.00	EN(A,D)4X43*24**		1.01	1.01
EA*4X48*21A*	*9MX*0802120A**	EN(A,D)4X43*24**	0.94	1.00	EN(A,D)4X43*24**	*8MPV100	0.95	1.04
EA*4X48*21A*	*9MX*1002120A**	EN(A,D)4X43*24**	0.94	1.00	EN(A,D)4X43*24**	*8MPV125	0.95	1.04
EA*4X48*21A*	*9MV*0601714A**	EN(A,D)4X48*24**	0.95	0.99	EN(A,D)4X48*24**	*8MX*1352420**	0.92	1.00
EA*4X48*21A*	*9MV*0801716A**	EN(A,D)4X48*24**	0.95	0.99	EN(A,D)4X48*24**	*8MV*1352422**	0.94	1.00
EA*4X48*21A*	*9MV*0802120A**	EN(A,D)4X48*24**	0.94	1.00	EN(A,D)4X48*24**	*9MX*0802120A**	0.95	1.01
EA*4X48*21A*	*9MA*1002120A**	EN(A,D)4X48*24**	0.94	1.00	EN(A,D)4X48*24**	*9MX*1002120A**	0.92	1.00
EA*4X48*21A*	*9MA*0601714A**	EN(A,D)4X48*24**	0.95	0.99	EN(A,D)4X48*24**	*9MX*1202422A**	0.94	1.01
EA*4X48*21A*	*9MA*0801714A**	EN(A,D)4X48*24**	0.94	0.99	EN(A,D)4X48*24**	*9MV*0802120A**	0.94	1.00
EA*4X48*21A*	*9MA*0802120A**	EN(A,D)4X48*24**	0.93	0.99	EN(A,D)4X48*24**	*9MV*1002120A**	0.92	1.00
EA*4X48*21A*	*9MA*1002122A**	EN(A,D)4X48*24**	0.93	1.00	EN(A,D)4X48*24**	*9MV*1202422A**	0.92	1.00
EA*4X48*21A*	*9MA*0602120A**	EN(A,D)4X48*24**	0.94	0.99	EN(A,D)4X48*24**	*9MA*0802120A**	0.91	0.99
EA*4X48*21A*	*9MX*1002116A**	EN(A,D)4X48*24**	0.94	0.99	EN(A,D)4X48*24**	*9MA*1002122A**	0.92	1.00
EA*4X48*21A*	*9MV*1002116A**	EN(A,D)4X48*24**	0.96	1.00	EN(A,D)4X48*24**	*9MA*1202422A**	0.91	0.99
EA*4X48*21A*	*9MA*1002120A**	EN(A,D)4X48*24**	0.92	0.99	EN(A,D)4X48*24**	*9MA*0602120A**	0.93	0.99
EA*4X48*21A*		EN(A,D)4X48*24**	1.01	1.01	EN(A,D)4X48*24**	*9MVX080	0.95	1.01
EA*4X48*24A*	*8MX*0902116**	EN(A,D)4X48*24**	0.94	1.00	EN(A,D)4X48*24**	*9MVX100	0.95	1.01
EA*4X48*24A*	*8MX*1102120**	EN(A,D)4X48*24**	0.92	1.00	EN(A,D)4X48*24**	*9MX*1002116A**	0.93	1.00

COOLING Multiplying Factors for other Indoor Combinations

Indoor Model	Furnace Model	Indoor Model	Furnace Model	CAPACITY (MBh)	Power (AMPS)	Indoor Model	Furnace Model	CAPACITY (MBh)	Power (AMPS)
EA*4X48*24A*	*8MX*1352420**	EN(A,D)4X48*24**	*9MV*1002116A**	1.00	0.92	EN(A,D)4X48*24**	*9MV*1002116A**	1.00	0.96
EA*4X48*24A*	*8MV*1102120**	EN(A,D)4X48*24**	*9MA*1002120A**	1.00	0.92	EN(A,D)4X48*24**	*9MA*1002120A**	0.99	0.92
EA*4X48*24A*	*8MV*1352422**	EN(A,D)4X48*24**	OLV112A16A	1.00	0.92	EN(A,D)4X48*24**	OLV112A16A	1.00	0.96
EA*4X48*24A*	*9MX*0802120A**	EN(A,D)4X48*24**	OLV154F20A	1.00	0.94	EN(A,D)4X48*24**	OLV154F20A	1.02	0.96
EA*4X48*24A*	*9MX*1002120A**	EN(A,D)4X48*24**		1.00	0.92	EN(A,D)4X48*24**		1.01	1.01
EA*4X48*24A*	*9MX*1202422A**	EN(A,D)4X48*24**	*9MPV100	1.01	0.94	EN(A,D)4X48*24**	*9MPV100	1.01	0.95
EA*4X48*24A*	*9MV*0802120A**	EN(A,D)4X48*24**	*9MPV125	1.00	0.94	EN(A,D)4X48*24**	*9MPV125	1.01	0.95
EA*4X48*24A*	*9MV*1002120A**	EN(A,D,W)4X42*21**	*8MX*0902116**	1.00	0.92	EN(A,D,W)4X42*21**	*8MX*0902116**	0.99	0.93
EA*4X48*24A*	*9MV*1202422A**	EN(A,D,W)4X42*21**	*8MX*1102120**	1.00	0.93	EN(A,D,W)4X42*21**	*8MX*1102120**	0.99	0.91
EA*4X48*24A*	*9MA*0802120A**	EN(A,D,W)4X42*21**	*8MV*1102120**	0.99	0.93	EN(A,D,W)4X42*21**	*8MV*1102120**	0.99	0.94
EA*4X48*24A*	*9MA*1002122A**	EN(A,D,W)4X42*21**	*9MX*0601714A**	1.00	0.92	EN(A,D,W)4X42*21**	*9MX*0601714A**	0.98	0.96
EA*4X48*24A*	*9MA*1202422A**	EN(A,D,W)4X42*21**	*9MX*0801716A**	0.99	0.91	EN(A,D,W)4X42*21**	*9MX*0801716A**	0.98	0.96
EA*4X48*24A*	*9MA*0602120A**	EN(A,D,W)4X42*21**	*9MX*0802120A**	0.99	0.94	EN(A,D,W)4X42*21**	*9MX*0802120A**	0.99	0.94
EA*4X48*24A*	*9MX*1002116A**	EN(A,D,W)4X42*21**	*9MX*1002120A**	1.00	0.96	EN(A,D,W)4X42*21**	*9MX*1002120A**	0.98	0.92
EA*4X48*24A*	*9MV*1002116A**	EN(A,D,W)4X42*21**	*9MV*0601714A**	1.00	0.96	EN(A,D,W)4X42*21**	*9MV*0601714A**	0.98	0.96
EA*4X48*24A*	*9MA*1002120A**	EN(A,D,W)4X42*21**	*9MV*0801716A**	0.99	0.92	EN(A,D,W)4X42*21**	*9MV*0801716A**	0.98	0.94
EA*4X48*24A*		EN(A,D,W)4X42*21**	*9MV*0802120A**	1.01	1.01	EN(A,D,W)4X42*21**	*9MV*0802120A**	0.98	0.93
ED*4X42F**	*9MX*0601714A**	EN(A,D,W)4X42*21**	*9MV*1002120A**	0.98	0.96	EN(A,D,W)4X42*21**	*9MV*1002120A**	0.98	0.92
ED*4X42F**	*9MX*0801716A**	EN(A,D,W)4X42*21**	*9MA*0601714A**	0.98	0.96	EN(A,D,W)4X42*21**	*9MA*0601714A**	0.96	0.95
ED*4X42F**	*9MX*0802120A**	EN(A,D,W)4X42*21**	*9MA*0801714A**	0.99	0.94	EN(A,D,W)4X42*21**	*9MA*0801714A**	0.98	0.94
ED*4X42F**	*9MX*1002120A**	EN(A,D,W)4X42*21**	*9MA*0802120A**	0.98	0.92	EN(A,D,W)4X42*21**	*9MA*0802120A**	0.98	0.93
ED*4X42F**	*9MV*0601714A**	EN(A,D,W)4X42*21**	*9MA*1002122A**	0.98	0.96	EN(A,D,W)4X42*21**	*9MA*1002122A**	0.99	0.93
ED*4X42F**	*9MV*0801716A**	EN(A,D,W)4X42*21**	*9MA*0602120A**	0.98	0.94	EN(A,D,W)4X42*21**	*9MA*0602120A**	0.98	0.95
ED*4X42F**	*9MV*0802120A**	EN(A,D,W)4X42*21**	*9MVX060	0.98	0.93	EN(A,D,W)4X42*21**	*9MVX060	0.98	0.98
ED*4X42F**	*9MV*1002120A**	EN(A,D,W)4X42*21**	*9MVX080	0.98	0.92	EN(A,D,W)4X42*21**	*9MVX080	0.99	0.97
ED*4X42F**	*9MA*0601714A**	EN(A,D,W)4X42*21**	*9MX*1002116A**	0.96	0.95	EN(A,D,W)4X42*21**	*9MX*1002116A**	0.98	0.94
ED*4X42F**	*9MA*0801714A**	EN(A,D,W)4X42*21**	*9MV*1002116A**	0.96	0.93	EN(A,D,W)4X42*21**	*9MV*1002116A**	0.98	0.94
ED*4X42F**	*9MA*0802120A**	EN(A,D,W)4X42*21**	*9MA*1002120A**	0.98	0.93	EN(A,D,W)4X42*21**	*9MA*1002120A**	0.98	0.93
ED*4X42F**	*9MA*1002122A**	EN(A,D,W)4X42*21**	OLV112A16A	0.98	0.92	EN(A,D,W)4X42*21**	OLV112A16A	0.99	0.99
ED*4X42F**	*9MA*0602120A**	EN(A,D,W)4X42*21**	OMV112K14A	0.96	0.94	EN(A,D,W)4X42*21**	OMV112K14A	0.98	0.96
ED*4X42F**	*9MVX060	EN(A,D,W)4X42*21**		0.98	0.96	EN(A,D,W)4X42*21**		1.00	1.00
ED*4X42F**	*9MX*1002116A**	EN(A,D,W)4X42*21**	*9MPV075	0.98	0.94	EN(A,D,W)4X42*21**	*9MPV075	0.98	0.98
ED*4X42F**	*9MV*1002116A**	EN(A,D,W)4X42*21**	*9MPV100	0.98	0.94	EN(A,D,W)4X42*21**	*9MPV100	0.99	0.97
ED*4X42F**	*9MA*1002120A**	EN(A,D,W)4X48*21**	*8MX*0902116**	0.98	0.93	EN(A,D,W)4X48*21**	*8MX*0902116**	1.00	0.92
ED*4X42F**	OLV112A16A	EN(A,D,W)4X48*21**	*8MX*1102120**	0.99	0.99	EN(A,D,W)4X48*21**	*8MX*1102120**	1.00	0.92

COOLING Multiplying Factors for other Indoor Combinations

Indoor Model	Furnace Model	CAPACITY (MBh)	Power (AMPS)	Indoor Model	Furnace Model	CAPACITY (MBh)	Power (AMPS)
ED*4X42F**	OMV112K14A	0.98	0.96	EN(A,D,W)4X48*21**	*8MV*1102120**	1.00	0.96
ED*4X42F**		0.99	1.01	EN(A,D,W)4X48*21**	*9MX*0601714A**	1.00	0.96
ED*4X42F**	*8MPV075	0.98	0.96	EN(A,D,W)4X48*21**	*9MX*0801716A**	1.00	0.96
ED*4X42F**	*9MPV075	0.98	0.98	EN(A,D,W)4X48*21**	*9MX*0802120A**	1.01	0.95
ED*4X42F**	MV12F19**B*	0.99	0.91	EN(A,D,W)4X48*21**	*9MX*1002120A**	1.00	0.92
ED*4X42J**	*8MX*0902116**	0.99	0.93	EN(A,D,W)4X48*21**	*9MV*0601714A**	1.00	0.96
ED*4X42J**	*8MX*1102120**	0.99	0.91	EN(A,D,W)4X48*21**	*9MV*0801716A**	1.00	0.96
ED*4X42J**	*8MV*1102120**	0.99	0.97	EN(A,D,W)4X48*21**	*9MV*0802120A**	1.00	0.94
ED*4X42J**	*9MX*0802120A**	0.99	0.94	EN(A,D,W)4X48*21**	*9MV*1002120A**	1.00	0.92
ED*4X42J**	*9MX*1002120A**	0.99	0.93	EN(A,D,W)4X48*21**	*9MA*0601714A**	0.99	0.95
ED*4X42J**	*9MX*1202422A**	0.99	0.94	EN(A,D,W)4X48*21**	*9MA*0801714A**	0.99	0.94
ED*4X42J**	*9MV*0802120A**	0.98	0.92	EN(A,D,W)4X48*21**	*9MA*0802120A**	0.99	0.91
ED*4X42J**	*9MV*1002120A**	0.98	0.92	EN(A,D,W)4X48*21**	*9MA*1002122A**	1.00	0.92
ED*4X42J**	*9MV*1202422A**	0.98	0.91	EN(A,D,W)4X48*21**	*9MA*0602120A**	0.99	0.93
ED*4X42J**	*9MA*0802120A**	0.98	0.92	EN(A,D,W)4X48*21**	*9MVX060	1.00	0.98
ED*4X42J**	*9MA*1002122A**	0.99	0.93	EN(A,D,W)4X48*21**	*9MVX080	1.01	0.95
ED*4X42J**	*9MA*1202422A**	0.98	0.91	EN(A,D,W)4X48*21**	*9MX*1002116A**	1.00	0.93
ED*4X42J**	*9MA*0602120A**	0.96	0.92	EN(A,D,W)4X48*21**	*9MV*1002116A**	1.00	0.96
ED*4X42J**	*9MVX080	0.99	0.94	EN(A,D,W)4X48*21**	*9MA*1002120A**	0.99	0.92
ED*4X42J**	*9MX*1002116A**	0.98	0.94	EN(A,D,W)4X48*21**	OLV112A16A	1.00	0.96
ED*4X42J**	*9MV*1002116A**	0.99	0.95	EN(A,D,W)4X48*21**	OMV112K14A	1.00	0.96
ED*4X42J**	OLV112A16A	0.99	0.97	EN(A,D,W)4X48*21**	*9MPV075	1.00	0.98
ED*4X42J**	*8MPV100	1.01	0.99	EN(A,D,W)4X48*21**	*9MPV100	1.01	0.95
ED*4X42J**	*8MPV125	1.00	0.96	END4X42*17**	*8MX*0701716**	0.99	0.97
ED*4X42J**	MV16J22**B*	0.99	0.91	END4X42*17**	*8MV*0901716**	0.99	0.93
ED*4X42L**	*8MX*1352420**	0.99	0.91	END4X42*17**	*9MX*0601714A**	0.99	0.95
ED*4X42L**	*8MV*1352422**	0.99	0.94	END4X42*17**	*9MX*0801716A**	0.99	0.95
ED*4X42L**	*9MX*0802120A**	0.99	0.94	END4X42*17**	*9MV*0601714A**	0.99	0.97
ED*4X42L**	*9MX*1002120A**	0.99	0.93	END4X42*17**	*9MV*0801716A**	0.99	0.95
ED*4X42L**	*9MX*1202422A**	0.99	0.92	END4X42*17**	*9MA*0601714A**	0.98	0.94
ED*4X42L**	*9MV*0802120A**	0.99	0.93	END4X42*17**	*9MA*0801714A**	0.98	0.94
ED*4X42L**	*9MV*1002120A**	0.99	0.93	END4X42*17**	*9MVX060	0.99	0.99
ED*4X42L**	*9MV*1202422A**	0.99	0.92	END4X42*17**	OMV112K14A	0.99	0.97
ED*4X42L**	*9MA*0802120A**	0.98	0.92	END4X42*17**		1.00	1.00



COOLING Multiplying Factors for other Indoor Combinations

Indoor Model	Furnace Model	Capacity (MBh)	Power (AMPS)	Indoor Model	Furnace Model	Capacity (MBh)	Power (AMPS)
ED*4X42L**	*9MA*1002122A**	0.99	0.93	END4X42*17**	*9MPV075	0.99	0.99
ED*4X42L**	*9MA*1202422A**	0.98	0.91	ENH4X42*21**	*8MX*0701716**	0.98	0.96
ED*4X42L**	*9MA*0602120A**	0.98	0.93	ENH4X42*21**	*8MX*0902116**	0.99	0.93
ED*4X42L**	*9MVX100	0.99	0.93	ENH4X42*21**	*8MX*1102120**	0.99	0.91
ED*4X42L**	*9MX*1002116A**	0.98	0.93	ENH4X42*21**	*8MX*1352420**	0.99	0.93
ED*4X42L**	*9MV*1002116A**	0.99	0.95	ENH4X42*21**	*8MV*0701412**	0.99	0.97
ED*4X42L**	*9MA*1002120A**	0.98	0.93	ENH4X42*21**	*9MX*0601714A**	0.98	0.96
ED*4X42L**	OLV112A16A	0.99	0.97	ENH4X42*21**	*9MX*0801716A**	0.98	0.96
ED*4X42L**	OLV154F20A	1.00	0.96	ENH4X42*21**	*9MX*0802120A**	0.99	0.94
ED*4X42L**		1.00	1.00	ENH4X42*21**	*9MX*1002120A**	0.98	0.92
ED*4X42L**	*9MPV125	1.01	1.01	ENH4X42*21**	*9MX*1202422A**	0.99	0.94
ED*4X42L**	MV20L24**B*	0.99	0.91	ENH4X42*21**	*9MV*0601714A**	0.98	0.96
ED*4X48F**	*8MX*0701716**	0.96	0.95	ENH4X42*21**	*9MV*0801716A**	0.98	0.94
ED*4X48F**	*8MV*0901716**	0.98	0.93	ENH4X42*21**	*9MV*0802120A**	0.98	0.93
ED*4X48F**	*9MX*0601714A**	1.00	0.96	ENH4X42*21**	*9MV*1002120A**	0.98	0.92
ED*4X48F**	*9MX*0801716A**	1.00	0.96	ENH4X42*21**	*9MV*1202422A**	0.98	0.91
ED*4X48F**	*9MX*0802120A**	1.01	0.95	ENH4X42*21**	*9MA*0601714A**	0.96	0.95
ED*4X48F**	*9MX*1002120A**	1.00	0.92	ENH4X42*21**	*9MA*0801714A**	0.98	0.94
ED*4X48F**	*9MV*0601714A**	1.00	0.96	ENH4X42*21**	*9MA*0802120A**	0.98	0.93
ED*4X48F**	*9MV*0801716A**	1.00	0.96	ENH4X42*21**	*9MA*1002122A**	0.99	0.93
ED*4X48F**	*9MV*0802120A**	1.00	0.94	ENH4X42*21**	*9MA*1202422A**	0.98	0.91
ED*4X48F**	*9MA*1002120A**	1.00	0.92	ENH4X42*21**	*9MA*0602120A**	0.98	0.95
ED*4X48F**	*9MA*0601714A**	0.99	0.95	ENH4X42*21**	*9MVX060	0.98	0.98
ED*4X48F**	*9MA*0801714A**	0.99	0.94	ENH4X42*21**	*9MVX080	0.99	0.97
ED*4X48F**	*9MA*0802120A**	1.00	0.94	ENH4X42*21**	*9MVX100	0.99	0.94
ED*4X48F**	*9MA*1002122A**	1.01	0.93	ENH4X42*21**	*9MX*1002116A**	0.98	0.94
ED*4X48F**	*9MA*0602120A**	0.99	0.94	ENH4X42*21**	*9MV*1002116A**	0.98	0.94
ED*4X48F**	*9MVX060	1.00	0.98	ENH4X42*21**	*9MA*1002120A**	0.98	0.93
ED*4X48F**	*9MX*1002116A**	1.00	0.96	ENH4X42*21**	OLV112A16A	0.99	0.99
ED*4X48F**	*9MV*1002116A**	1.00	0.96	ENH4X42*21**	OLV154F20A	1.00	0.98
ED*4X48F**	*9MA*1002120A**	1.00	0.93	ENH4X42*21**	OMV112K14A	0.98	0.96
ED*4X48F**	OLV112A16A	1.01	0.99	ENH4X42*21**		1.00	1.00
ED*4X48F**	OMV112K14A	1.00	0.96	ENH4X42*21**	*9MPV075	0.98	0.98
ED*4X48F**		1.01	1.01	ENH4X42*21**	*9MPV100	0.99	0.97
ED*4X48F**	*8MPV075	1.01	0.99	ENH4X42*21**	*9MPV125	0.99	0.94

COOLING Multiplying Factors for other Indoor Combinations

Indoor Model	Furnace Model	CAPACITY (MBh)	Power (AMPS)	Indoor Model	Furnace Model	CAPACITY (MBh)	Power (AMPS)
ED*4X48F**	*9MPV075	1.00	1.00	ENH4X43*21**	*8MX*0701716**	1.01	1.01
ED*4X48F**	MV12F19**B*	1.01	0.93	ENH4X43*21**	*8MX*0902116**	1.01	0.93
ED*4X48J**	*8MX*0902116**	1.00	0.92	ENH4X43*21**	*8MX*1102120**	1.01	0.93
ED*4X48J**	*8MX*1102120**	1.00	0.92	ENH4X43*21**	*8MX*1352420**	1.01	0.93
ED*4X48J**	*8MV*1102120**	1.00	0.96	ENH4X43*21**	*8MV*0701412**	1.01	0.97
ED*4X48J**	*9MX*0802120A**	1.00	0.94	ENH4X43*21**	*8MV*0901716**	1.01	0.93
ED*4X48J**	*9MX*1002120A**	1.00	0.94	ENH4X43*21**	*8MV*1102120**	1.01	0.93
ED*4X48J**	*9MX*1202422A**	1.00	0.93	ENH4X43*21**	*8MV*1352422**	1.01	0.93
ED*4X48J**	*9MX*1202422A**	1.00	0.93	ENH4X43*21**	*9MX*0601714A**	1.01	0.97
ED*4X48J**	*9MV*0802120A**	1.00	0.94	ENH4X43*21**	*9MX*0801716A**	1.01	0.97
ED*4X48J**	*9MV*1002120A**	1.00	0.94	ENH4X43*21**	*9MX*0802120A**	1.02	0.94
ED*4X48J**	*9MV*1202422A**	1.00	0.93	ENH4X43*21**	*9MX*1002120A**	1.01	0.93
ED*4X48J**	*9MA*0802120A**	0.99	0.93	ENH4X43*21**	*9MX*1202422A**	1.02	0.94
ED*4X48J**	*9MA*1002122A**	1.00	0.93	ENH4X43*21**	*9MV*0601714A**	1.00	0.96
ED*4X48J**	*9MA*1202422A**	0.99	0.92	ENH4X43*21**	*9MV*0801716A**	1.01	0.94
ED*4X48J**	*9MA*1202422A**	0.99	0.92	ENH4X43*21**	*9MV*0802120A**	1.01	0.93
ED*4X48J**	*9MA*0602120A**	0.99	0.94	ENH4X43*21**	*9MV*1002120A**	1.01	0.93
ED*4X48J**	*9MVX080	1.01	0.95	ENH4X43*21**	*9MV*1202422A**	1.00	0.92
ED*4X48J**	*9MX*1002116A**	0.99	0.94	ENH4X43*21**	*9MA*0601714A**	1.00	0.96
ED*4X48J**	*9MX*1002116A**	0.99	0.94	ENH4X43*21**	*9MA*0801714A**	1.00	0.93
ED*4X48J**	*9MV*1002116A**	1.00	0.96	ENH4X43*21**	*9MA*0802120A**	1.00	0.92
ED*4X48J**	*9MA*1002120A**	0.99	0.92	ENH4X43*21**	*9MA*1002122A**	1.01	0.93
ED*4X48J**	*9MA*1002120A**	0.99	0.92	ENH4X43*21**	*9MA*1202422A**	1.00	0.92
ED*4X48J**	OLV112A16A	1.00	0.98	ENH4X43*21**	*9MA*0602120A**	1.00	0.94
ED*4X48J**	*8MPV100	1.01	1.01	ENH4X43*21**	*9MVX060	1.01	0.99
ED*4X48J**	*8MPV125	1.02	0.97	ENH4X43*21**	*9MVX080	1.02	0.96
ED*4X48J**	*8MPV100	1.02	0.98	ENH4X43*21**	*9MVX100	1.02	0.94
ED*4X48J**	MV16J22**B*	1.00	1.02	ENH4X43*21**	*9MX*1002116A**	1.01	0.94
ED*4X48L**	*8MX*1352420**	1.00	0.92	ENH4X43*21**	*9MV*1002116A**	1.00	0.93
ED*4X48L**	*8MV*1352422**	1.00	0.92	ENH4X43*21**	*9MA*1002120A**	1.00	0.93
ED*4X48L**	*9MX*0802120A**	1.00	0.94	ENH4X43*21**	OLV112A16A	1.01	0.97
ED*4X48L**	*9MX*1002120A**	1.00	0.94	ENH4X43*21**	OLV154F20A	1.04	0.97
ED*4X48L**	*9MX*1202422A**	1.01	0.92	ENH4X43*21**	OMV112K14A	1.01	0.95
ED*4X48L**	*9MV*0802120A**	1.01	0.94	ENH4X43*21**	*9MPV075	1.01	0.99
ED*4X48L**	*9MV*0802120A**	1.00	0.94	ENH4X43*21**	*9MPV100	1.02	0.96

COOLING Multiplying Factors for other Indoor Combinations

Indoor Model	Furnace Model	CAPACITY (MBh)	Power (AMPS)	Indoor Model	Furnace Model	CAPACITY (MBh)	Power (AMPS)
ED*4X48L**	*9MV*1002120A**	1.00	0.92	ENH4X43*21**	*9MPV125	1.02	0.94
ED*4X48L**	*9MV*1202422A**	1.00	0.93	ENH4X43*21**		1.01	1.01
ED*4X48L**	*9MA*0802120A**	0.99	0.91	ENH4X43*21**	*8MPV075	1.01	0.97
ED*4X48L**	*9MA*1002122A**	1.00	0.92	ENH4X43*21**	*8MPV100	1.01	0.93
ED*4X48L**	*9MA*1202422A**	0.99	0.91	ENH4X43*21**	*8MPV125	1.01	0.93
ED*4X48L**	*9MA*0602120A**	0.99	0.94	ENH4X48*21**	*8MX*0701716**	1.00	0.98
ED*4X48L**	*9MVX100	1.00	0.92	ENH4X48*21**	*8MX*0902116**	1.00	0.92
ED*4X48L**	*9MX*1002116A**	1.00	0.96	ENH4X48*21**	*8MX*1102120**	1.00	0.92
ED*4X48L**	*9MV*1002116A**	1.00	0.96	ENH4X48*21**	*8MX*1352420**	1.00	0.92
ED*4X48L**	*9MA*1002120A**	0.99	0.92	ENH4X48*21**	*8MV*0701412**	1.00	0.98
ED*4X48L**	OLV112A16A	1.00	0.98	ENH4X48*21**	*9MX*0601714A**	1.00	0.96
ED*4X48L**	OLV154F20A	1.02	0.98	ENH4X48*21**	*9MX*0801716A**	1.00	0.96
ED*4X48L**		1.01	1.01	ENH4X48*21**	*9MX*0802120A**	1.01	0.95
ED*4X48L**	*9MPV125	1.02	1.01	ENH4X48*21**	*9MX*1002120A**	1.00	0.92
ED*4X48L**	MV20L24**B*	1.00	0.92	ENH4X48*21**	*9MX*1202422A**	1.01	0.94
EHD4X42A**	*9MX*0601714A**	1.00	0.96	ENH4X48*21**	*9MV*0601714A**	1.00	0.96
EHD4X42A**	*9MX*0801716A**	1.00	0.96	ENH4X48*21**	*9MV*0801716A**	1.00	0.96
EHD4X42A**	*9MX*0802120A**	1.01	0.95	ENH4X48*21**	*9MV*0802120A**	1.00	0.94
EHD4X42A**	*9MX*1002120A**	1.00	0.92	ENH4X48*21**	*9MV*1002120A**	1.00	0.92
EHD4X42A**	*9MX*1202422A**	1.01	0.94	ENH4X48*21**	*9MV*1202422A**	1.00	0.92
EHD4X42A**	*9MV*0601714A**	1.00	0.96	ENH4X48*21**	*9MA*0601714A**	0.99	0.95
EHD4X42A**	*9MV*0801716A**	1.00	0.96	ENH4X48*21**	*9MA*0801714A**	0.99	0.94
EHD4X42A**	*9MV*0802120A**	1.00	0.94	ENH4X48*21**	*9MA*0802120A**	0.99	0.91
EHD4X42A**	*9MV*1002120A**	1.00	0.92	ENH4X48*21**	*9MA*1002122A**	1.00	0.92
EHD4X42A**	*9MV*1202422A**	1.00	0.93	ENH4X48*21**	*9MA*1202422A**	0.99	0.91
EHD4X42A**	*9MA*0601714A**	0.99	0.95	ENH4X48*21**	*9MA*0602120A**	0.99	0.93
EHD4X42A**	*9MA*0801714A**	0.99	0.94	ENH4X48*21**	*9MVX060	1.00	0.98
EHD4X42A**	*9MA*0802120A**	1.00	0.94	ENH4X48*21**	*9MVX080	1.01	0.95
EHD4X42A**	*9MA*1002122A**	1.00	0.92	ENH4X48*21**	*9MVX100	1.01	0.95
EHD4X42A**	*9MA*1202422A**	1.00	0.92	ENH4X48*21**	*9MX*1002116A**	1.00	0.93
EHD4X42A**	*9MA*0602120A**	0.99	0.94	ENH4X48*21**	*9MV*1002116A**	1.00	0.96
EHD4X42A**	*9MVX060	0.98	0.96	ENH4X48*21**	*9MA*1002120A**	0.99	0.92
EHD4X42A**	*9MVX080	0.99	0.94	ENH4X48*21**	OLV112A16A	1.00	0.96
EHD4X42A**	*9MVX100	0.99	0.93	ENH4X48*21**	OLV154F20A	1.02	0.96
EHD4X42A**	*9MX*1002116A**	1.00	0.96	ENH4X48*21**	OMV112K14A	1.00	0.96

COOLING Multiplying Factors for other Indoor Combinations

Indoor Model	Furnace Model	CAPACITY (MBh)	Power (AMPS)	Indoor Model	Furnace Model	CAPACITY (MBh)	Power (AMPS)
EHD4X42A**	*9MV*1002116A**	1.00	0.96	ENH4X48*21**		1.01	1.01
EHD4X42A**	*9MA*1002120A**	1.00	0.93	ENH4X48*21**	*9MPV075	1.00	1.00
EHD4X42A**	OLV112A16A	1.01	0.99	ENH4X48*21**	*9MPV100	1.01	0.95
EHD4X42A**	OLV154F20A	1.02	0.96	ENH4X48*21**	*9MPV125	1.01	0.95
EHD4X42A**	OMV112K14A	1.00	0.96	FEM4P42**A*		1.00	0.96
EHD4X42A**		1.00	1.00	FEM4P42**A*		1.01	0.97
EHD4X42A**	*8MPV075	1.00	0.98	FEM4P48**A*		1.00	0.96
EHD4X42A**	*8MPV100	1.01	0.97	FEM4P48**A*		1.01	0.97
EHD4X42A**	*8MPV125	1.01	0.97	FEM4X42****		1.01	0.97
EHD4X42A**	*9MPV075	0.99	0.97	FEM4X48****		1.04	0.97
EHD4X42A**	*9MPV100	0.99	0.94	FS(M,U)4P42**A*		1.00	1.00
EHD4X42A**	*9MPV125	1.01	0.99	FS(M,U)4P42**A*		1.00	1.00
EHD4X42A**	MV12F19**B*	1.00	0.92	FS(M,U)4P48**A*		1.02	1.02
EHD4X42A**	MV16J22**B*	1.00	0.92	FS(M,U)4P48**A*		1.02	1.02
EHD4X42A**	MV20L24**B*	1.00	0.92	FS(M,U)4X42****		1.00	1.02
EHD4X48A**	*9MX*0601714A**	1.00	0.96	FS(M,U)4X48****		1.02	1.02
EHD4X48A**	*9MX*0801716A**	1.00	0.96	FMS4X36****		1.01	1.02
EHD4X48A**	*9MX*0802120A**	1.01	0.95	FVM4X48****		1.01	0.93
EHD4X48A**	*9MX*1002120A**	1.01	0.93	FVM4X60****		1.04	0.95
EHD4X48A**	*9MX*1202422A**	1.01	0.94	FXM4X42**A*		1.01	0.97
EHD4X48A**	*9MV*0601714A**	1.00	0.96	FXM4X48**A*		1.02	0.94
EHD4X48A**	*9MV*0801716A**	1.00	0.96	FXM4X60**A*		1.04	0.95

COOLING Multiplying Factors for other Indoor Combinations

Indoor Model	Furnace Model	CAPACITY (MBh)	Power (AMPS)	Indoor Model	Furnace Model	CAPACITY (MBh)	Power (AMPS)
<b>N4A348</b>							
*ED*4X48J**	-	1.00	1.00	EHD4X60A**	*8MV*1102120**	1.00	0.94
EA*4X48*17A*	*8MV*0901716**	0.99	0.96	EHD4X60A**	*8MV*1352422**	1.01	0.93
EA*4X48*17A*	*9MX*0801716A**	0.98	0.96	EHD4X60A**	*9MX*0801716A**	1.00	0.96
EA*4X48*17A*	-	0.98	0.98	EHD4X60A**	*9MX*0802120A**	1.01	0.95
EA*4X48*21A*	*8MX*0902116**	0.98	0.94	EHD4X60A**	*9MX*1002120A**	1.01	0.95
EA*4X48*21A*	*8MX*1102120**	0.98	0.92	EHD4X60A**	*9MX*1202422A**	1.01	0.94
EA*4X48*21A*	*8MV*0901716**	0.98	0.95	EHD4X60A**	*9MV*0801716A**	1.00	0.96
EA*4X48*21A*	*8MV*1102120**	0.98	0.94	EHD4X60A**	*9MV*0802120A**	1.00	0.94
EA*4X48*21A*	*9MX*0801716A**	0.97	0.97	EHD4X60A**	*9MV*1002120A**	1.01	0.93

COOLING Multiplying Factors for other Indoor Combinations

Indoor Model	Furnace Model	CAPACITY (MBh)	Power (AMPS)	Indoor Model	Furnace Model	CAPACITY (MBh)	Power (AMPS)
EA*4X48*21A*	*9MX*0802120A**	0.98	0.95	EHD4X60A**	*9MV*1202422A**	1.01	0.94
EA*4X48*21A*	*9MX*1002120A**	0.98	0.94	EHD4X60A**	*9MA*0802120A**	1.00	0.92
EA*4X48*21A*	*9MV*0801716A**	0.97	0.93	EHD4X60A**	*9MA*1002122A**	1.00	0.92
EA*4X48*21A*	*9MV*0802120A**	0.98	0.94	EHD4X60A**	*9MA*1202422A**	1.00	0.92
EA*4X48*21A*	*9MV*1002120A**	0.98	0.94	EHD4X60A**	*9MA*0602120A**	0.99	0.93
EA*4X48*21A*	*9MA*0802120A**	0.97	0.93	EHD4X60A**	*9MVX080	1.01	0.95
EA*4X48*21A*	*9MA*1002122A**	0.98	0.94	EHD4X60A**	*9MVX100	1.00	0.94
EA*4X48*21A*	*9MA*0602120A**	0.97	0.94	EHD4X60A**	*9MX*1002116A**	1.00	0.96
EA*4X48*21A*	*9MX*1002116A**	0.98	0.96	EHD4X60A**	*9MV*1002116A**	1.01	0.98
EA*4X48*21A*	*9MV*1002116A**	0.98	0.96	EHD4X60A**	*9MA*1002120A**	1.00	0.93
EA*4X48*21A*	*9MA*1002120A**	0.97	0.93	EHD4X60A**	OLV112A16A	1.00	0.98
EA*4X48*21A*	-	1.00	1.00	EHD4X60A**	OLV154F20A	1.01	0.97
EA*4X48*24A*	*8MX*0902116**	0.99	0.95	EHD4X60A**	-	1.01	0.99
EA*4X48*24A*	*8MX*1102120**	0.99	0.93	EHD4X60A**	*8MPV100	1.01	0.95
EA*4X48*24A*	*8MX*1352420**	0.99	0.95	EHD4X60A**	*8MPV125	1.01	0.93
EA*4X48*24A*	*8MV*1102120**	0.98	0.94	EHD4X60A**	*9MPV100	1.01	0.95
EA*4X48*24A*	*8MV*1352422**	0.98	0.92	EHD4X60A**	*9MPV125	1.01	0.95
EA*4X48*24A*	*9MX*0802120A**	0.98	0.94	EHD4X60A**	MV16J22**B*	1.01	0.91
EA*4X48*24A*	*9MX*1002120A**	0.98	0.94	EHD4X60A**	MV20L24**B*	1.01	0.91
EA*4X48*24A*	*9MX*1202422A**	0.98	0.94	EMA4X48D**	-	0.98	0.98
EA*4X48*24A*	*9MV*0802120A**	0.98	0.94	EN(A,D)4X48*24**	*8MX*1352420**	0.99	0.93
EA*4X48*24A*	*9MV*1002120A**	0.98	0.94	EN(A,D)4X48*24**	*8MV*1352422**	0.98	0.92
EA*4X48*24A*	*9MV*1202422A**	0.98	0.94	EN(A,D)4X48*24**	*9MX*0802120A**	0.99	0.95
EA*4X48*24A*	*9MA*0802120A**	0.97	0.93	EN(A,D)4X48*24**	*9MX*1002120A**	0.99	0.95
EA*4X48*24A*	*9MA*1002122A**	0.98	0.94	EN(A,D)4X48*24**	*9MX*1202422A**	0.99	0.95
EA*4X48*24A*	*9MA*1202422A**	0.98	0.94	EN(A,D)4X48*24**	*9MV*0802120A**	0.98	0.94
EA*4X48*24A*	*9MA*0602120A**	0.97	0.94	EN(A,D)4X48*24**	*9MV*1002120A**	0.98	0.94
EA*4X48*24A*	*9MX*1002116A**	0.98	0.94	EN(A,D)4X48*24**	*9MV*1202422A**	0.99	0.95
EA*4X48*24A*	*9MV*1002116A**	0.98	0.96	EN(A,D)4X48*24**	*9MA*0802120A**	0.98	0.94
EA*4X48*24A*	*9MA*1002120A**	0.97	0.93	EN(A,D)4X48*24**	*9MA*1002122A**	0.98	0.92
EA*4X48*24A*	-	0.99	0.99	EN(A,D)4X48*24**	*9MA*1202422A**	0.98	0.91
EA*4X60*21A*	*8MX*0902116**	1.00	0.94	EN(A,D)4X48*24**	*9MA*0602120A**	0.97	0.94
EA*4X60*21A*	*8MX*1102120**	1.00	0.92	EN(A,D)4X48*24**	*9MVX080	0.99	0.97
EA*4X60*21A*	*8MV*0901716**	1.00	0.94	EN(A,D)4X48*24**	*9MVX100	0.99	0.97
EA*4X60*21A*	*8MV*1102120**	1.00	0.94	EN(A,D)4X48*24**	*9MX*1002116A**	0.98	0.94

COOLING Multiplying Factors for other Indoor Combinations

Indoor Model	Furnace Model	CAPACITY (MBh)	Power (AMPS)	Indoor Model	Furnace Model	CAPACITY (MBh)	Power (AMPS)
EA*4X60*21A*	*9MX*0801716A**	0.99	0.95	EN(A,D)4X48*24**	*9MV*1002116A**	0.98	0.96
EA*4X60*21A*	*9MX*0802120A**	1.00	0.94	EN(A,D)4X48*24**	*9MA*1002120A**	0.98	0.94
EA*4X60*21A*	*9MX*1002120A**	1.00	0.94	EN(A,D)4X48*24**	OLV112A16A	0.98	0.98
EA*4X60*21A*	*9MV*0801716A**	0.99	0.95	EN(A,D)4X48*24**	OLV154F20A	1.00	0.98
EA*4X60*21A*	*9MV*0802120A**	1.00	0.94	EN(A,D)4X48*24**	-	0.99	0.99
EA*4X60*21A*	*9MV*1002120A**	1.00	0.94	EN(A,D)4X48*24**	*9MPV100	0.99	0.97
EA*4X60*21A*	*9MA*0802120A**	0.99	0.93	EN(A,D)4X48*24**	*9MPV125	0.99	0.97
EA*4X60*21A*	*9MA*1002122A**	1.00	0.94	EN(A,D)4X61*24**	*8MX*0902116**	1.01	0.93
EA*4X60*21A*	*9MA*0602120A**	0.99	0.93	EN(A,D)4X61*24**	*8MX*1102120**	1.01	0.93
EA*4X60*21A*	*9MX*1002116A**	1.00	0.96	EN(A,D)4X61*24**	*8MX*1352420**	1.01	0.93
EA*4X60*21A*	*9MV*1002116A**	1.00	0.96	EN(A,D)4X61*24**	*8MV*1102120**	1.00	0.92
EA*4X60*21A*	*9MA*1002120A**	0.99	0.95	EN(A,D)4X61*24**	*8MV*1352422**	1.00	0.92
EA*4X60*21A*	-	1.00	0.98	EN(A,D)4X61*24**	*9MX*0802120A**	1.01	0.95
EA*4X60*24A*	*8MX*0902116**	1.00	0.94	EN(A,D)4X61*24**	*9MX*1002120A**	1.01	0.93
EA*4X60*24A*	*8MX*1102120**	1.00	0.92	EN(A,D)4X61*24**	*9MX*1202422A**	1.02	0.94
EA*4X60*24A*	*8MX*1352420**	1.00	0.94	EN(A,D)4X61*24**	*9MV*0802120A**	1.01	0.93
EA*4X60*24A*	*8MV*1102120**	1.00	0.94	EN(A,D)4X61*24**	*9MV*1002120A**	1.01	0.93
EA*4X60*24A*	*8MV*1352422**	1.00	0.92	EN(A,D)4X61*24**	*9MV*1202422A**	1.00	0.92
EA*4X60*24A*	*9MX*0802120A**	1.00	0.94	EN(A,D)4X61*24**	*9MA*0802120A**	1.00	0.92
EA*4X60*24A*	*9MX*1002120A**	1.00	0.94	EN(A,D)4X61*24**	*9MA*1002122A**	1.01	0.93
EA*4X60*24A*	*9MX*1202422A**	1.00	0.93	EN(A,D)4X61*24**	*9MA*1202422A**	1.00	0.92
EA*4X60*24A*	*9MV*0802120A**	1.00	0.94	EN(A,D)4X61*24**	*9MA*0602120A**	1.00	0.94
EA*4X60*24A*	*9MV*1002120A**	1.00	0.94	EN(A,D)4X61*24**	*9MVX080	1.01	0.97
EA*4X60*24A*	*9MV*1202422A**	1.00	0.93	EN(A,D)4X61*24**	*9MVX100	1.00	0.94
EA*4X60*24A*	*9MA*0802120A**	0.99	0.93	EN(A,D)4X61*24**	*9MX*1002116A**	1.01	0.97
EA*4X60*24A*	*9MA*1002122A**	1.00	0.92	EN(A,D)4X61*24**	*9MV*1002116A**	1.00	0.93
EA*4X60*24A*	*9MA*1202422A**	0.99	0.92	EN(A,D)4X61*24**	*9MA*1002120A**	1.00	0.93
EA*4X60*24A*	*9MA*0602120A**	0.99	0.95	EN(A,D)4X61*24**	OLV112A16A	1.00	0.98
EA*4X60*24A*	*9MX*1002116A**	1.00	0.96	EN(A,D)4X61*24**	OLV154F20A	1.02	0.96
EA*4X60*24A*	*9MV*1002116A**	1.00	0.96	EN(A,D)4X61*24**	*9MPV100	1.01	0.97
EA*4X60*24A*	*9MA*1002120A**	0.99	0.95	EN(A,D)4X61*24**	*9MPV125	1.01	0.95
EA*4X60*24A*	-	1.01	0.99	EN(A,D)4X61*24**	-	1.01	1.01
ED*4X48F**	*8MX*0701716**	0.98	1.00	EN(A,D)4X61*24**	*8MPV100	1.01	0.93
ED*4X48F**	*8MV*0901716**	0.98	0.94	EN(A,D)4X61*24**	*8MPV125	1.01	0.93
ED*4X48F**	*9MX*0802120A**	0.99	0.95	EN(A,D,W)4X48*21**	*8MX*0902116**	0.98	0.92

COOLING Multiplying Factors for other Indoor Combinations

Indoor Model	Furnace Model	CAPACITY (MBh)	Power (AMPS)	Indoor Model	Furnace Model	CAPACITY (MBh)	Power (AMPS)
ED*4X48F**	*9MX*1002120A**	0.99	0.95	EN(A,D,W)4X48*21**	*8MX*1102120**	0.98	0.92
ED*4X48F**	*9MV*0802120A**	0.98	0.94	EN(A,D,W)4X48*21**	*8MV*1102120**	0.98	0.92
ED*4X48F**	*9MV*1002120A**	0.99	0.95	EN(A,D,W)4X48*21**	*9MX*0801716A**	0.98	0.98
ED*4X48F**	*9MA*0802120A**	0.98	0.94	EN(A,D,W)4X48*21**	*9MX*0802120A**	0.99	0.95
ED*4X48F**	*9MA*1002122A**	0.99	0.95	EN(A,D,W)4X48*21**	*9MX*1002120A**	0.99	0.95
ED*4X48F**	*9MA*0602120A**	0.98	0.95	EN(A,D,W)4X48*21**	*9MV*0801716A**	0.98	0.98
ED*4X48F**	*9MX*1002116A**	0.98	0.94	EN(A,D,W)4X48*21**	*9MV*0802120A**	0.98	0.94
ED*4X48F**	*9MV*1002116A**	0.99	0.97	EN(A,D,W)4X48*21**	*9MV*1002120A**	0.98	0.94
ED*4X48F**	*9MA*1002120A**	0.98	0.94	EN(A,D,W)4X48*21**	*9MA*0802120A**	0.98	0.94
ED*4X48F**	OLV112A16A	0.99	0.99	EN(A,D,W)4X48*21**	*9MA*1002122A**	0.98	0.92
ED*4X48F**	-	0.98	0.98	EN(A,D,W)4X48*21**	*9MA*0602120A**	0.97	0.93
ED*4X48J**	*8MX*0902116**	0.98	0.92	EN(A,D,W)4X48*21**	*9MVX080	0.99	0.97
ED*4X48J**	*8MX*1102120**	0.98	0.92	EN(A,D,W)4X48*21**	*9MX*1002116A**	0.98	0.94
ED*4X48J**	*8MV*1102120**	0.98	0.92	EN(A,D,W)4X48*21**	*9MV*1002116A**	0.98	0.96
ED*4X48J**	*9MX*0802120A**	0.98	0.95	EN(A,D,W)4X48*21**	*9MA*1002120A**	0.98	0.94
ED*4X48J**	*9MX*1002120A**	0.98	0.94	EN(A,D,W)4X48*21**	OLV112A16A	0.98	0.98
ED*4X48J**	*9MX*1202422A**	0.98	0.94	EN(A,D,W)4X48*21**	-	0.99	0.99
ED*4X48J**	*9MX*1202422A**	0.98	0.94	EN(A,D,W)4X48*21**	*9MPV100	0.99	0.97
ED*4X48J**	*9MV*0802120A**	0.98	0.94	EN(A,D,W)4X60*24**	*8MX*1352420**	1.00	0.92
ED*4X48J**	*9MV*1002120A**	0.98	0.94	EN(A,D,W)4X60*24**	*8MV*1352422**	1.00	0.92
ED*4X48J**	*9MV*1202422A**	0.98	0.94	EN(A,D,W)4X60*24**	*9MX*0802120A**	1.00	0.94
ED*4X48J**	*9MA*0802120A**	0.97	0.93	EN(A,D,W)4X60*24**	*9MX*1002120A**	1.00	0.94
ED*4X48J**	*9MA*1002122A**	0.98	0.94	EN(A,D,W)4X60*24**	*9MX*1202422A**	1.00	0.93
ED*4X48J**	*9MA*1202422A**	0.97	0.93	EN(A,D,W)4X60*24**	*9MV*0802120A**	1.00	0.94
ED*4X48J**	*9MA*1202422A**	0.97	0.93	EN(A,D,W)4X60*24**	*9MV*1002120A**	1.00	0.94
ED*4X48J**	*9MA*0602120A**	0.97	0.94	EN(A,D,W)4X60*24**	*9MV*1202422A**	1.00	0.93
ED*4X48J**	*9MVX080	0.99	0.97	EN(A,D,W)4X60*24**	*9MA*0802120A**	0.99	0.93
ED*4X48J**	*9MX*1002116A**	0.98	0.96	EN(A,D,W)4X60*24**	*9MA*1002122A**	1.00	0.92
ED*4X48J**	*9MX*1002116A**	0.98	0.96	EN(A,D,W)4X60*24**	*9MA*1202422A**	0.99	0.92
ED*4X48J**	*9MV*1002116A**	0.98	0.96	EN(A,D,W)4X60*24**	*9MA*0602120A**	0.99	0.95
ED*4X48J**	*9MA*1002120A**	0.97	0.93	EN(A,D,W)4X60*24**	*9MVX080	1.00	0.96
ED*4X48J**	*9MA*1002120A**	0.97	0.93	EN(A,D,W)4X60*24**	*9MVX100	1.00	0.96
ED*4X48J**	OLV112A16A	0.98	0.98	EN(A,D,W)4X60*24**	*9MX*1002116A**	1.00	0.96
ED*4X48J**	*8MPV100	0.98	0.94	EN(A,D,W)4X60*24**	*9MV*1002116A**	1.00	0.96
ED*4X48J**	*8MPV125	0.98	0.92	EN(A,D,W)4X60*24**	*9MA*1002120A**	0.99	0.95

COOLING Multiplying Factors for other Indoor Combinations

Indoor Model	Furnace Model	CAPACITY (MBh)	Power (AMPS)	Indoor Model	Furnace Model	CAPACITY (MBh)	Power (AMPS)
ED*4X48J**	*9MPV100	0.98	0.96	EN(A,D,W)4X60*24**	OLV112A16A	1.00	0.98
ED*4X48J**	MV16J22**B*	0.98	0.90	EN(A,D,W)4X60*24**	OLV154F20A	1.01	0.97
ED*4X48L**	*8MX*1352420**	0.99	0.93	EN(A,D,W)4X60*24**	-	1.01	0.99
ED*4X48L**	*8MV*1352422**	0.98	0.92	EN(A,D,W)4X60*24**	*9MPV100	1.00	0.96
ED*4X48L**	*9MX*0802120A**	0.98	0.94	EN(A,D,W)4X60*24**	*9MPV125	1.00	0.96
ED*4X48L**	*9MX*1002120A**	0.98	0.94	ENH4X48*21**	*8MX*0701716**	0.98	1.00
ED*4X48L**	*9MX*1202422A**	0.98	0.94	ENH4X48*21**	*8MX*0902116**	0.98	0.92
ED*4X48L**	*9MV*0802120A**	0.98	0.94	ENH4X48*21**	*8MX*1102120**	0.98	0.92
ED*4X48L**	*9MV*1002120A**	0.98	0.94	ENH4X48*21**	*8MX*1352422**	0.98	0.92
ED*4X48L**	*9MA*1202422A**	0.98	0.94	ENH4X48*21**	*9MX*0801716A**	0.98	0.98
ED*4X48L**	*9MA*0602120A**	0.97	0.94	ENH4X48*21**	*9MX*0802120A**	0.99	0.95
ED*4X48L**	*9MVX100	0.98	0.94	ENH4X48*21**	*9MX*1002120A**	0.99	0.95
ED*4X48L**	*9MX*1002116A**	0.98	0.94	ENH4X48*21**	*9MX*1202422A**	0.99	0.95
ED*4X48L**	*9MV*1002116A**	0.98	0.96	ENH4X48*21**	*9MV*0801716A**	0.98	0.98
ED*4X48L**	*9MA*1002120A**	0.97	0.93	ENH4X48*21**	*9MV*0802120A**	0.98	0.94
ED*4X48L**	OLV112A16A	0.98	0.98	ENH4X48*21**	*9MV*1002120A**	0.98	0.94
ED*4X48L**	OLV154F20A	1.00	0.98	ENH4X48*21**	*9MV*1202422A**	0.99	0.95
ED*4X48L**	-	1.00	1.00	ENH4X48*21**	*9MA*0802120A**	0.98	0.94
ED*4X48L**	*9MPV125	0.99	0.95	ENH4X48*21**	*9MA*1002122A**	0.98	0.92
ED*4X48L**	MV20L24**B*	0.99	0.91	ENH4X48*21**	*9MA*1202422A**	0.98	0.91
ED*4X60J**	*8MX*0902116**	1.00	0.92	ENH4X48*21**	*9MA*0602120A**	0.97	0.93
ED*4X60J**	*8MX*1102120**	1.00	0.92	ENH4X48*21**	*9MVX080	0.99	0.97
ED*4X60J**	*8MV*1102120**	1.00	0.92	ENH4X48*21**	*9MVX100	0.99	0.97
ED*4X60J**	*9MX*0802120A**	1.00	0.94	ENH4X48*21**	*9MX*1002116A**	0.98	0.94
ED*4X60J**	*9MX*1002120A**	1.00	0.94	ENH4X48*21**	*9MV*1002116A**	0.98	0.96
ED*4X60J**	*9MX*1202422A**	1.00	0.93	ENH4X48*21**	*9MA*1002120A**	0.98	0.94
ED*4X60J**	*9MV*0802120A**	1.00	0.94	ENH4X48*21**	OLV112A16A	0.98	0.98
ED*4X60J**	*9MV*1002120A**	1.00	0.94	ENH4X48*21**	OLV154F20A	1.00	0.98
ED*4X60J**	*9MV*1202422A**	1.00	0.93	ENH4X48*21**	-	0.99	0.99
ED*4X60J**	*9MA*0802120A**	0.99	0.93	ENH4X48*21**	*9MPV100	0.99	0.97
ED*4X60J**	*9MA*1002122A**	1.00	0.94	ENH4X48*21**	*9MPV125	0.99	0.97
ED*4X60J**	*9MA*1202422A**	0.99	0.92	ENH4X48*24**	*8MX*0701716**	1.00	1.00



COOLING Multiplying Factors for other Indoor Combinations

Indoor Model	Furnace Model	CAPACITY (MBh)	Power (AMPS)	Indoor Model	Furnace Model	CAPACITY (MBh)	Power (AMPS)
ED*4X60J**	*9MA*0602120A**	0.99	0.95	ENH4X60*24**	*8MX*0902116**	1.00	0.94
ED*4X60J**	*9MVX080	1.01	0.95	ENH4X60*24**	*8MX*1102120**	1.00	0.92
ED*4X60J**	*9MX*1002116A**	1.00	0.96	ENH4X60*24**	*8MX*1352420**	1.00	0.92
ED*4X60J**	*9MV*1002116A**	1.00	0.96	ENH4X60*24**	*8MV*0901716**	1.00	0.94
ED*4X60J**	*9MA*1002120A**	0.99	0.95	ENH4X60*24**	*8MV*1102120**	1.00	0.92
ED*4X60J**	OLV112A16A	1.00	0.98	ENH4X60*24**	*8MV*1352422**	1.00	0.92
ED*4X60J**	-	1.00	0.98	ENH4X60*24**	*9MX*0801716A**	0.99	0.95
ED*4X60J**	*8MPV100	1.00	0.94	ENH4X60*24**	*9MX*0802120A**	1.00	0.94
ED*4X60J**	*8MPV125	1.00	0.92	ENH4X60*24**	*9MX*1002120A**	1.00	0.94
ED*4X60J**	*9MPV100	1.00	0.94	ENH4X60*24**	*9MX*1202422A**	1.00	0.93
ED*4X60J**	MV16J22**B*	1.00	0.90	ENH4X60*24**	*9MV*0801716A**	1.00	0.96
ED*4X60L**	*8MX*1352420**	1.00	0.92	ENH4X60*24**	*9MV*0802120A**	1.00	0.94
ED*4X60L**	*8MV*1352422**	1.00	0.92	ENH4X60*24**	*9MV*1002120A**	1.00	0.94
ED*4X60L**	*9MX*0802120A**	1.00	0.94	ENH4X60*24**	*9MV*1202422A**	1.00	0.93
ED*4X60L**	*9MX*1002120A**	1.00	0.94	ENH4X60*24**	*9MA*0802120A**	0.99	0.93
ED*4X60L**	*9MX*1202422A**	1.00	0.93	ENH4X60*24**	*9MA*1002122A**	1.00	0.92
ED*4X60L**	*9MX*1202422A**	1.00	0.93	ENH4X60*24**	*9MA*1202422A**	0.99	0.92
ED*4X60L**	*9MV*0802120A**	1.00	0.94	ENH4X60*24**	*9MA*0602120A**	0.99	0.93
ED*4X60L**	*9MV*1002120A**	1.00	0.94	ENH4X60*24**	*9MVX080	1.00	0.96
ED*4X60L**	*9MV*1202422A**	1.00	0.93	ENH4X60*24**	*9MVX100	1.00	0.96
ED*4X60L**	*9MA*0802120A**	0.99	0.93	ENH4X60*24**	*9MX*1002116A**	1.00	0.96
ED*4X60L**	*9MA*1002122A**	1.00	0.92	ENH4X60*24**	*9MV*1002116A**	1.00	0.96
ED*4X60L**	*9MA*1202422A**	0.99	0.92	ENH4X60*24**	*9MA*1002120A**	0.99	0.95
ED*4X60L**	*9MA*1202422A**	0.99	0.92	ENH4X60*24**	OLV112A16A	1.00	0.98
ED*4X60L**	*9MA*0602120A**	0.99	0.95	ENH4X60*24**	OLV154F20A	1.01	0.97
ED*4X60L**	*9MVX100	1.00	0.94	ENH4X60*24**	-	1.01	0.99
ED*4X60L**	*9MX*1002116A**	1.00	0.96	ENH4X60*24**	*9MPV100	1.00	0.96
ED*4X60L**	*9MX*1002116A**	1.00	0.96	ENH4X60*24**	*9MPV125	1.00	0.96
ED*4X60L**	*9MV*1002116A**	1.00	0.96	ENH4X61*24**	*8MX*0701716**	1.00	1.00
ED*4X60L**	*9MA*1002120A**	0.99	0.95	ENH4X61*24**	*8MX*0902116**	1.00	0.94
ED*4X60L**	*9MA*1002120A**	0.99	0.95	ENH4X61*24**	*8MX*1102120**	1.00	0.92
ED*4X60L**	OLV112A16A	1.00	0.98	ENH4X61*24**	*8MX*1352420**	1.00	0.92
ED*4X60L**	OLV154F20A	1.01	0.97	ENH4X61*24**	*8MV*0901716**	1.00	0.96
ED*4X60L**	-	1.01	0.99	ENH4X61*24**	*8MV*1102120**	1.00	0.94
ED*4X60L**	*9MPV125	1.01	0.95	ENH4X61*24**	*8MV*1352422**	1.00	0.92

COOLING Multiplying Factors for other Indoor Combinations

Indoor Model	Furnace Model	CAPACITY (MBh)	Power (AMPS)	Indoor Model	Furnace Model	CAPACITY (MBh)	Power (AMPS)
EHD4X60L**	MV20L24**B*	1.01	0.91	ENH4X61*24**	*9MX*0801716A**	1.00	0.96
EHD4X48A**	*8MX*0902116**	0.99	0.95	ENH4X61*24**	*9MX*0802120A**	1.01	0.95
EHD4X48A**	*8MX*1102120**	0.99	0.93	ENH4X61*24**	*9MX*1002120A**	1.01	0.95
EHD4X48A**	*8MX*1352420**	0.99	0.95	ENH4X61*24**	*9MX*1202422A**	1.01	0.94
EHD4X48A**	*8MV*0901716**	0.99	0.95	ENH4X61*24**	*9MV*0801716A**	0.99	0.95
EHD4X48A**	*8MV*1102120**	0.99	0.95	ENH4X61*24**	*9MV*0802120A**	1.00	0.94
EHD4X48A**	*8MV*1352422**	0.99	0.93	ENH4X61*24**	*9MV*1002120A**	1.00	0.93
EHD4X48A**	*9MX*0801716A**	0.98	0.96	ENH4X61*24**	*9MV*1202422A**	1.00	0.93
EHD4X48A**	*9MX*0802120A**	0.99	0.95	ENH4X61*24**	*9MA*0802120A**	1.00	0.94
EHD4X48A**	*9MX*1002120A**	0.99	0.95	ENH4X61*24**	*9MA*1002122A**	1.00	0.92
EHD4X48A**	*9MX*1202422A**	0.99	0.95	ENH4X61*24**	*9MA*1202422A**	1.00	0.93
EHD4X48A**	*9MV*0801716A**	0.98	0.94	ENH4X61*24**	*9MA*0602120A**	0.99	0.95
EHD4X48A**	*9MV*0802120A**	0.99	0.95	ENH4X61*24**	*9MVX080	1.00	0.96
EHD4X48A**	*9MV*1002120A**	0.99	0.93	ENH4X61*24**	*9MVX100	1.00	0.96
EHD4X48A**	*9MV*1202422A**	0.99	0.95	ENH4X61*24**	*9MX*1002116A**	1.00	0.96
EHD4X48A**	*9MA*0802120A**	0.98	0.94	ENH4X61*24**	*9MV*1002116A**	0.99	0.92
EHD4X48A**	*9MA*1002122A**	0.99	0.93	ENH4X61*24**	*9MA*1002120A**	1.00	0.96
EHD4X48A**	*9MA*1202422A**	0.98	0.94	ENH4X61*24**	OLV112A16A	1.00	0.98
EHD4X48A**	*9MA*0602120A**	0.98	0.94	ENH4X61*24**	OLV154F20A	1.01	0.97
EHD4X48A**	*9MVX080	0.99	0.97	ENH4X61*24**	*9MPV100	1.00	0.96
EHD4X48A**	*9MVX100	0.98	0.94	ENH4X61*24**	*9MPV125	1.00	0.96
EHD4X48A**	*9MX*1002116A**	0.99	0.95	ENH4X61*24**	-	1.00	1.00
EHD4X48A**	*9MV*1002116A**	0.99	0.97	ENH4X61*24**	*8MPV100	1.00	0.96
EHD4X48A**	*9MA*1002120A**	0.98	0.94	ENH4X61*24**	*8MPV125	1.00	0.94
EHD4X48A**	OLV112A16A	0.99	0.99	FEM4P48**A*	-	0.97	0.97
EHD4X48A**	OLV154F20A	1.00	0.98	FEM4P48**A*	-	1.00	1.00
EHD4X48A**	-	1.00	1.00	FEM4P60**A*	-	0.99	0.95
EHD4X48A**	*8MPV100	1.00	0.96	FEM4X48****	-	1.01	0.95
EHD4X48A**	*8MPV125	1.00	0.94	FEM4X60****	-	1.03	0.95
EHD4X48A**	*9MPV100	0.99	0.97	FEM4X60**B*	-	1.01	0.97
EHD4X48A**	*9MPV125	0.99	0.95	FS(M,U)4P48**A*	-	0.99	0.99
EHD4X48A**	MV16J22**B*	1.00	0.92	FS(M,U)4P48**A*	-	1.01	1.01
EHD4X48A**	MV20L24**B*	1.00	0.92	FS(M,U)4X48****	-	0.99	0.97
EHD4X60A**	*8MX*0902116**	1.01	0.95	FS(M,U)4X60****	-	1.01	0.99
EHD4X60A**	*8MX*1102120**	1.01	0.93	FVM4X48****	-	1.00	0.92

COOLING Multiplying Factors for other Indoor Combinations

Indoor Model	Furnace Model	CAPACITY (MBh)	Power (AMPS)	Indoor Model	Furnace Model	CAPACITY (MBh)	Power (AMPS)
EHD4X60A**	*8MX*1352420**	1.01	0.93	FVM4X60***	-	1.01	0.91
EHD4X60A**	*8MV*0901716**	1.00	0.94	FXM4X48**A*	-	1.01	0.93
				FXM4X60**A*	-	1.02	0.94

COOLING Multiplying Factors for other Indoor Combinations

Indoor Model	Furnace Model	CAPACITY (MBh)	Power (AMPS)	Indoor Model	Furnace Model	CAPACITY (MBh)	Power (AMPS)
--------------	---------------	----------------	--------------	--------------	---------------	----------------	--------------

N4A360

*ED*4X60L**		1.00	1.00	EN(A,D)4X61*24**	*9MA*0802120A**	0.99	0.99
EA*4X60*21A*	*8MX*1102120**	0.98	0.98	EN(A,D)4X61*24**	*9MA*1002122A**	1.00	0.98
EA*4X60*21A*	*8MV*1102120**	0.98	1.00	EN(A,D)4X61*24**	*9MA*1202422A**	0.99	0.99
EA*4X60*21A*	*9MX*0802120A**	0.98	1.00	EN(A,D)4X61*24**	*9MVX080	1.00	1.04
EA*4X60*21A*	*9MV*1002120A**	0.98	1.00	EN(A,D)4X61*24**	*9MVX100	1.00	1.02
EA*4X60*21A*	*9MA*1002122A**	0.98	0.98	EN(A,D)4X61*24**	*9MA*1002120A**	0.99	0.99
EA*4X60*21A*	*9MA*1002120A**	0.97	1.01	EN(A,D)4X61*24**	OLV154F20A	1.01	1.08
EA*4X60*21A*		0.98	0.98	EN(A,D)4X61*24**	*9MPV100	1.00	1.02
EA*4X60*24A*	*8MX*1102120**	0.99	0.99	EN(A,D)4X61*24**	*9MPV125	1.00	1.03
EA*4X60*24A*	*8MX*1352420**	0.98	0.98	EN(A,D)4X61*24**		1.00	1.00
EA*4X60*24A*	*8MV*1102120**	0.98	1.00	EN(A,D)4X61*24**	*8MPV100	1.01	1.03
EA*4X60*24A*	*8MV*1352422**	0.98	0.98	EN(A,D)4X61*24**	*8MPV125	1.00	1.00
EA*4X60*24A*	*9MX*0802120A**	0.98	1.00	EN(A,D,W)4X60*24**	*8MV*1352422**	0.98	0.97
EA*4X60*24A*	*9MX*1002120A**	0.98	1.00	EN(A,D,W)4X60*24**	*9MX*0802120A**	0.97	0.99
EA*4X60*24A*	*9MX*1202422A**	0.98	0.98	EN(A,D,W)4X60*24**	*9MX*1002120A**	0.98	1.00
EA*4X60*24A*	*9MV*1002120A**	0.98	1.00	EN(A,D,W)4X60*24**	*9MX*1202422A**	0.98	0.98
EA*4X60*24A*	*9MV*1202422A**	0.98	0.98	EN(A,D,W)4X60*24**	*9MV*1002120A**	0.98	1.00
EA*4X60*24A*	*9MA*0802120A**	0.97	0.99	EN(A,D,W)4X60*24**	*9MV*1202422A**	0.97	0.97
EA*4X60*24A*	*9MA*1002122A**	0.98	0.98	EN(A,D,W)4X60*24**	*9MA*0802120A**	0.97	0.99
EA*4X60*24A*	*9MA*1202422A**	0.98	0.98	EN(A,D,W)4X60*24**	*9MA*1002122A**	0.98	0.98
EA*4X60*24A*	*9MA*1002120A**	0.97	1.01	EN(A,D,W)4X60*24**	*9MA*1202422A**	0.98	0.98
EA*4X60*24A*		1.00	1.00	EN(A,D,W)4X60*24**	*9MVX080	0.98	1.04
ED*4X60J**	*8MX*1102120**	0.98	0.97	EN(A,D,W)4X60*24**	*9MVX100	0.98	1.02
ED*4X60J**	*9MX*0802120A**	0.98	1.00	EN(A,D,W)4X60*24**	*9MA*1002120A**	0.97	1.01
ED*4X60J**	*9MX*1202422A**	0.98	0.98	EN(A,D,W)4X60*24**	OLV154F20A	0.99	1.07
ED*4X60J**	*9MV*1002120A**	0.98	1.00	EN(A,D,W)4X60*24**	*9MPV100	0.98	1.03
ED*4X60J**	*9MV*1202422A**	0.97	0.97	EN(A,D,W)4X60*24**	*9MPV125	0.98	1.02
ED*4X60J**	*9MA*1002122A**	0.98	0.98	EN(A,D,W)4X60*24**		0.99	1.00

COOLING Multiplying Factors for other Indoor Combinations

Indoor Model	Furnace Model	CAPACITY (MBh)	Power (AMPS)	Indoor Model	Furnace Model	CAPACITY (MBh)	Power (AMPS)
ED*4X60J**	*9MA*1202422A**	0.98	0.98	ENH4X60*24**	*8MX*1102120**	0.98	0.97
ED*4X60J**	*9MVX080	0.97	0.97	ENH4X60*24**	*8MV*1352422**	0.98	0.97
ED*4X60J**		1.00	1.00	ENH4X60*24**	*9MX*0802120A**	0.97	0.99
ED*4X60J**	MV16J22**B*	0.99	0.97	ENH4X60*24**	*9MX*1002120A**	0.98	1.00
ED*4X60L**	*8MV*1352422**	0.98	0.98	ENH4X60*24**	*9MX*1202422A**	0.98	0.98
ED*4X60L**	*9MX*0802120A**	0.98	1.00	ENH4X60*24**	*9MV*1002120A**	0.98	1.00
ED*4X60L**	*9MX*1002120A**	0.98	1.00	ENH4X60*24**	*9MV*1202422A**	0.97	0.97
ED*4X60L**	*9MX*1202422A**	0.98	0.98	ENH4X60*24**	*9MA*0802120A**	0.97	0.99
ED*4X60L**	*9MX*1202422A**	0.98	0.98	ENH4X60*24**	*9MA*1002122A**	0.98	0.98
ED*4X60L**	*9MV*1002120A**	0.98	1.00	ENH4X60*24**	*9MA*1202422A**	0.98	0.98
ED*4X60L**	*9MV*1202422A**	0.98	0.98	ENH4X60*24**	*9MVX080	0.98	1.04
ED*4X60L**	*9MA*0802120A**	0.97	0.99	ENH4X60*24**	*9MVX100	0.98	1.02
ED*4X60L**	*9MA*1002122A**	0.98	0.98	ENH4X60*24**	*9MA*1002120A**	0.97	1.01
ED*4X60L**	*9MA*1202422A**	0.98	0.98	ENH4X60*24**	OLV154F20A	0.99	1.07
ED*4X60L**	*9MVX100	0.98	0.98	ENH4X60*24**	*9MPV100	0.98	1.03
ED*4X60L**	*9MA*1002120A**	0.97	0.97	ENH4X60*24**	*9MPV125	0.98	1.02
ED*4X60L**	OLV154F20A	0.97	1.01	ENH4X60*24**		0.99	1.00
ED*4X60L**	MV20L24**B*	1.00	1.06	ENH4X61*24**	*8MX*1102120**	0.99	0.99
ED*4X60L**	*9MX*0802120A**	0.99	0.97	ENH4X61*24**	*8MX*1352420**	0.99	0.99
EHD4X60A**	*9MX*1002120A**	0.98	0.98	ENH4X61*24**	*8MV*1102120**	0.99	0.99
EHD4X60A**	*9MX*1202422A**	0.99	1.01	ENH4X61*24**	*8MV*1352422**	0.99	0.99
EHD4X60A**	*9MV*1002120A**	0.99	0.99	ENH4X61*24**	*9MX*0802120A**	0.98	0.98
EHD4X60A**	*9MV*1202422A**	0.98	0.99	ENH4X61*24**	*9MX*1202422A**	0.98	0.98
EHD4X60A**	*9MA*0802120A**	0.98	0.98	ENH4X61*24**	*9MV*1002120A**	0.99	1.01
EHD4X60A**	*9MA*1002122A**	0.99	0.99	ENH4X61*24**	*9MV*1202422A**	0.98	0.98
EHD4X60A**	*9MA*1202422A**	0.98	0.98	ENH4X61*24**	*9MA*1002122A**	0.99	0.99
EHD4X60A**	*9MVX080	0.97	0.97	ENH4X61*24**	*9MA*1202422A**	0.98	0.98
EHD4X60A**	*9MVX100	0.97	0.95	ENH4X61*24**	*9MVX080	0.99	1.04
EHD4X60A**	*9MA*1002120A**	0.98	1.01	ENH4X61*24**	*9MVX100	0.99	1.03
EHD4X60A**	OLV154F20A	1.00	1.07	ENH4X61*24**	*9MA*1002120A**	0.98	1.01
EHD4X60A**		1.00	1.00	ENH4X61*24**	OLV154F20A	1.00	1.08
EHD4X60A**	MV16J22**B*	1.00	0.96	ENH4X61*24**	*9MPV100	0.99	1.04
EHD4X60A**	MV20L24**B*	0.99	0.97	ENH4X61*24**	*9MPV125	0.99	1.03
EN(A,D)4X61*24**	*8MX*1102120**	1.00	1.00	ENH4X61*24**	*8MPV100	1.00	1.00

**COOLING** Multiplying Factors for other Indoor Combinations

Indoor Model	Furnace Model	CAPACITY (MBh)	Power (AMPS)	Indoor Model	Furnace Model	CAPACITY (MBh)	Power (AMPS)
EN(A,D)4X61*24**	*8MX*1352420**	1.00	1.00	ENH4X61*24**	*8MPV125	0.99	0.99
EN(A,D)4X61*24**	*8MV*1102120**	1.00	1.00	FEM4P60**A*		0.96	0.96
EN(A,D)4X61*24**	*8MV*1352422**	1.00	1.00	FEM4X60****		1.00	0.98
EN(A,D)4X61*24**	*9MX*0802120A**	0.99	0.99	FEM4X60**B*		0.97	0.97
EN(A,D)4X61*24**	*9MX*1002120A**	1.00	1.00	FS(M,U)4X60****		0.98	1.02
EN(A,D)4X61*24**	*9MX*1202422A**	0.99	0.99	FS(M,U)4X60**A*		0.99	1.02
EN(A,D)4X61*24**	*9MV*1002120A**	1.00	1.00	FVM4X60****		1.00	0.96
EN(A,D)4X61*24**	*9MV*1202422A**	0.99	0.99	FXM4X60**A*		1.01	1.01