



HIGH EFFICIENCY 15 and 17 SEER TWO-STAGE HEAT PUMP ENVIRONMENTALLY SOUND R-410A REFRIGERANT

2, 3, 4, and 5 TONS SPLIT SYSTEM
208 / 230 Volt, 1-phase, 60 Hz

REFRIGERATION CIRCUIT

- Copeland Scroll UltraTech™ compressors on all models
- Crankcase Heater factory installed
- Suction line accumulator factory installed
- Bi-flow filter-drier included for field installation
- Integrated solid state control with Time-Temperature Defrost
- High, Low, and Compressor Unloader pressure switches
- Discharge gas thermostat
- Copper tube / aluminum fin coil

PERFORMANCE

- 2-speed Fan Motors factory wired on all models
- High performance compressor sound shield standard

EASY TO INSTALL AND SERVICE

- Comfort Alert™ UltraTech™ Diagnostics device on all models
- Easy Access service valves on all models
- Compressor access panel
- New, innovative control box design
- External high and low refrigerant service ports
- Fan motor in-line disconnect plug
- Only two screws to access control panel
- Factory charged with R-410A refrigerant

BUILT TO LAST

- High gloss, baked-on powder coat finish over galvanized steel
- Post-painted (black) coil fins
- Coated, weather-resistant cabinet screws
- Coated inlet grille with 3/8" spacing for extra protection
- Corner Posts for extra strength and style
- 10 year No-Hassle replacement limited warranty
- 10 year limited compressor, 10 year limited coil, and 7 year limited parts warranties



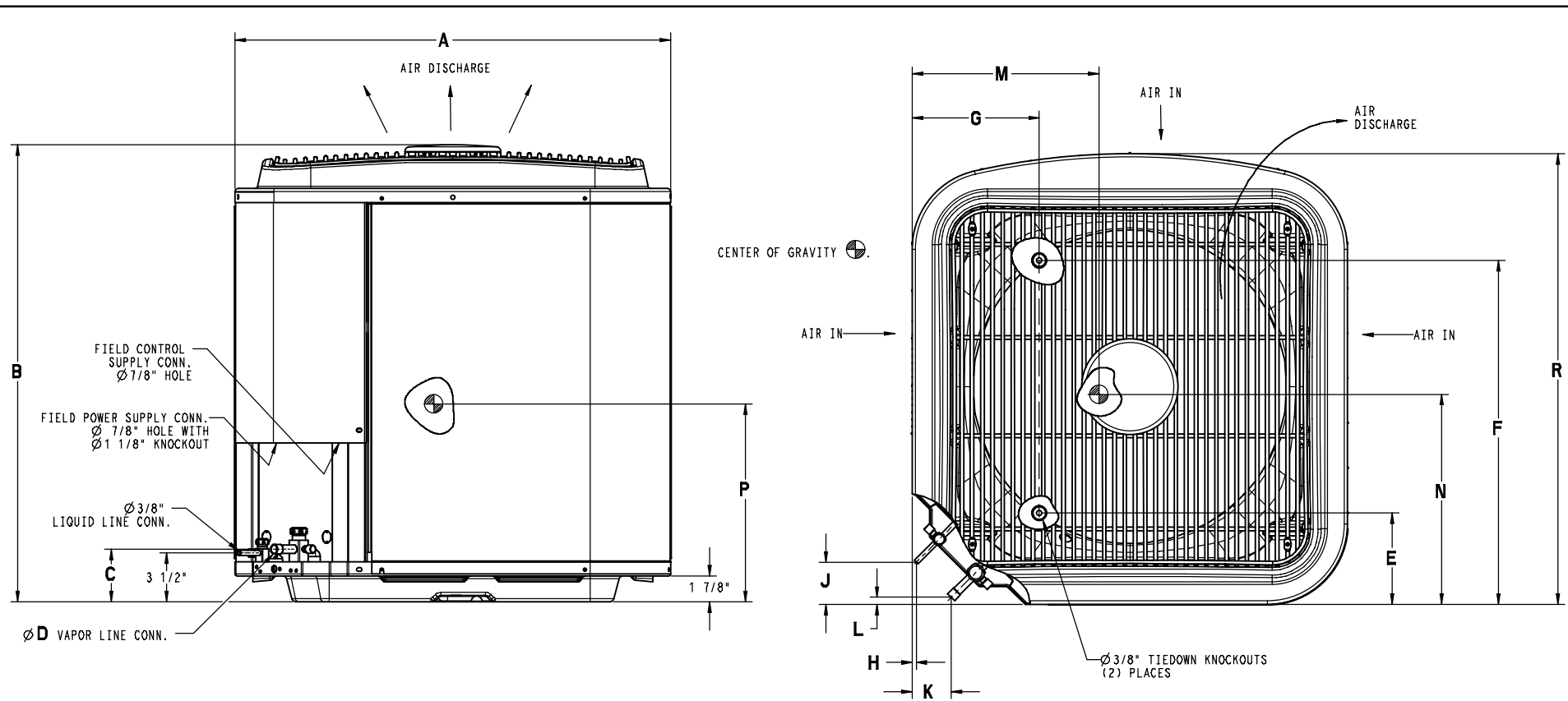
This product has been designed and manufactured to meet ENERGY STAR criteria for energy efficiency when matched with appropriate coil components. However, proper refrigerant charge and proper air flow are critical to achieve rated capacity and efficiency. Installation of this product should follow the manufacturer's refrigerant charging and air flow instructions. Failure to confirm proper charge and airflow may reduce energy efficiency and shorten equipment life.



Rated in accordance with ARI Standard 210/240. Certification applies only when used with proper components as listed with ARI.



Model Number	Size (tons)	Nominal Btu/hr	Min. Circuit Ampacity	Max. Fuse or Breaker	Operating Dimensions height x width x depth (in)	Ship / Operating Weight (lbs)
C4H524GKA	2	24,000	13.5	20	43 ¹¹ / ₁₆ × 35 × 36 ⁹ / ₁₆	333 / 297
C4H736GKA	3	36,000	22.1	35	47 ¹ / ₈ × 35 × 36 ⁹ / ₁₆	350 / 310
C4H548GKA	4	48,000	31.5	50	47 ¹ / ₈ × 35 × 36 ⁹ / ₁₆	354 / 314
C4H560GKA	5	60,000	35.6	60	47 ¹ / ₈ × 35 × 36 ⁹ / ₁₆	375 / 335



Model	All Dimensions Inches																Minimum Mounting Pad Size	Crated Dimensions B(h) x A(w) x R(d)
	A	B	C	D	E	F	G	H	J	K	L	M	N	P	R			
C4H524GKA	35	43 ¹¹ / ₁₆	3 ³ / ₄	5 ⁵ / ₈	6 ⁹ / ₁₆	28 ⁷ / ₁₆	9 ¹ / ₈	1 ¹ / ₈	3 ¹³ / ₁₆	2 ¹³ / ₁₆	1 ¹ / ₂	17 ¹ / ₂	16	21 ¹ / ₂	36 ⁹ / ₁₆	35 x 36 ¹ / ₂	47 ⁷ / ₁₆ x 36 ¹ / ₈ x 37 ³ / ₄	
C4H736GKA	35	47 ¹ / ₈	3 ³ / ₄	3 ³ / ₄	6 ⁹ / ₁₆	28 ⁷ / ₁₆	9 ¹ / ₈	1 ¹ / ₈	3 ¹³ / ₁₆	2 ¹³ / ₁₆	1 ¹ / ₂	17	16	20 ¹ / ₂	36 ⁹ / ₁₆	35 x 36 ¹ / ₂	50 ¹³ / ₁₆ x 36 ¹ / ₈ x 37 ³ / ₄	
C4H548GKA	35	47 ¹ / ₈	3 ⁷ / ₈	7 ⁷ / ₈	6 ⁹ / ₁₆	28 ⁷ / ₁₆	9 ¹ / ₈	1 ¹ / ₈	3 ¹³ / ₁₆	2 ¹⁵ / ₁₆	5 ⁵ / ₈	17	16	20 ¹ / ₂	36 ⁹ / ₁₆	35 x 36 ¹ / ₂	50 ¹³ / ₁₆ x 36 ¹ / ₈ x 37 ³ / ₄	
C4H560GKA	35	47 ¹ / ₈	3 ⁷ / ₈	7 ⁷ / ₈	6 ⁹ / ₁₆	28 ⁷ / ₁₆	9 ¹ / ₈	1 ¹ / ₈	3 ¹³ / ₁₆	2 ¹⁵ / ₁₆	5 ⁵ / ₈	17 ¹ / ₂	15	21 ¹ / ₂	36 ⁹ / ₁₆	35 x 36 ¹ / ₂	50 ¹³ / ₁₆ x 36 ¹ / ₈ x 37 ³ / ₄	

PHYSICAL DATA					
Model Size		24	36	48	60
Nominal Cooling Capacity (BTU/hr)		24,000	36,000	48,000	60,000
Nominal SEER		15.0	17.0	15.0	15.0
Sound Rating, High Speed Fan (dBA)		72	72	73	74
Low Speed Fan (dBA)		72	71	71	73
PSC Fan Motor HP		1/10	1/10	1/4	1/4
Fan RPM High		825	825	825	825
Fan RPM Low		750	750	750	750
Fan CFM (High)		2595	2595	3670	3670
Coil Face Area (ft ²)		22.36	24.40	24.40	24.40
Coil Rows - fins per inch		2-20	2-20	2-20	2-20
Low Pressure Switch	Open Pressure	23 ± 5 PSIG	23 ± 5 PSIG	23 ± 5 PSIG	23 ± 5 PSIG
	Close Pressure	55 ± 5 PSIG	55 ± 5 PSIG	55 ± 5 PSIG	55 ± 5 PSIG
Hi Pressure Switch	Open Pressure	670 ± 10 PSIG	670 ± 10 PSIG	670 ± 10 PSIG	670 ± 10 PSIG
	Close Pressure	470 ± 25 PSIG	470 ± 25 PSIG	470 ± 25 PSIG	470 ± 25 PSIG
*Compressor Unloader Pressure Switch	Open Pressure	525 ± 15 PSIG	525 ± 15 PSIG	525 ± 15 PSIG	525 ± 15 PSIG
	Close Pressure	420 ± 15 PSIG	420 ± 15 PSIG	420 ± 15 PSIG	420 ± 15 PSIG
*Note: Discharge Tube Assembly Compressor Unloader Pressure Switch forces unit to run in Low-Stage					
Liquid Line Connection Size (in.)		3/8	3/8	3/8	3/8
Vapor Line Connection Size (in.)		5/8	3/4	7/8	7/8
Recommended Line Set Liquid Tube Diameter (in.)		3/8	3/8	3/8	3/8
Recommended Line Set Vapor Tube Diameter (in.) *		5/8 *	3/4 *	7/8 *	1 1/8 *
* Recommended Vapor Tube Line size is for standard installations. These recommendations may not apply to "Long Line" installations. When the total equivalent line length exceeds 80 feet or there is more than 20 feet vertical separation between indoor and outdoor units, consult the Long Line Application Guideline document before purchasing/installing line sets.					
Factory Charge R-410A (lbs.)		14.4	14.6	15.0	14.3
Required Subcooling (°F)		14	14	13	12
Outdoor Unit Factory Piston Size (used in Outdoor Unit for heating mode)		40	57	61	67
Weight, shipping (lbs.)		333	350	354	375
Weight, operating (lbs.)		297	310	314	335

ELECTRICAL DATA (208/230-1-60, voltage range 197V - 253V)					
Model Size		24	36	48	60
Minimum Circuit Ampacity - MCA (amps)		13.5	22.1	31.5	35.6
Maximum OverCurrent Protective device - MOCP (amps)		20	35	50	60
Compressor RLA (Rated Load Amps)		10.3	17.1	24.1	27.4
LRA (Locked Rotor Amps)		52.0	82.0	96.0	118.0
Fan Motor FLA (Full Load Amps)		0.7	0.7	1.4	1.4

R-410A COOLING CAPACITY LOSS FOR VARIOUS LINE LENGTHS & TUBE DIAMETERS

Model Size	Liquid Line (in.)	Acceptable Vapor Line Sizes (in.)	Cooling Capacity Loss (%) at Total Equivalent Line Length (ft.) Refer to Long Line Application Guideline to calculate equivalent length										
			Standard Application			Long Line Application (Requires Accessories)							
			25'	50'	80'	81'	100'	125'	150'	175'	200'	225'	250'
24	3/8	5/8	0	1	1	1	2	3	3	4	4	5	6
		3/4	0	1	1	1	1	1	1	2	2	2	2
36		5/8	1	2	4	4	5	6	7	9	10	11	13
		3/4	0	0	1	1	1	2	2	3	3	4	4
48		7/8	0	0	0	--	--	--	--	--	--	--	--
		3/4	0	1	2	2	3	4	5	5	6	7	8
60		7/8	0	0	1	1	1	2	2	2	3	3	4
		3/4	1	2	4	4	5	6	7	9	10	11	12
	7/8	0	1	2	2	2	3	4	4	5	5	6	
		1 1/8	0	0	0	--	--	--	--	--	--	--	

(--) Dashes indicate insufficient oil return to the compressor in heating mode. Use smaller tube diameter.
 * Applications are considered "Long Line" if the total equivalent tubing length exceeds 80 feet or there is more than 20 foot vertical separation between indoor and outdoor units). These applications require additional accessories and system modifications for reliable system operation.

Applications in this shaded area may have height restrictions that limit allowable total equivalent length when outdoor unit is below indoor unit.

ACCESSORY USAGE GUIDELINES

Accessory	REQUIRED FOR APPLICATIONS IN SNOW-BELT REGION	REQUIRED FOR LOW-AMBIENT APPLICATIONS (Below 55° F)	REQUIRED FOR LONG-LINE APPLICATIONS* (Over 80 Ft.)
Evaporator Freeze Thermostat	No	Yes	No
Accumulator	Standard (factory installed)	Standard (factory installed)	Standard (factory installed)
Support Feet, 4" tall	Yes	Recommended	No
Liquid Line Solenoid Valve	No	No	See Long-Line Application Guideline

* For Line Set lengths between 80 and 200 ft horizontal. or more than 20 ft indoor-outdoor vertical separation, refer to the Long Line Application Guideline document.

ACCESSORIES

Part Number	Description	Used On Model Size
NASA001FS	Evaporator Freeze Thermostat	ALL
NASA001LS	Liquid Line Solenoid Valve, HP, R-22 or R-410A	ALL
NASA001TD	Time Delay Relay, Indoor Blower	ALL
NASA001AC	Anti-Cycle Timer (5 minute delay)	ALL
NASA001SF	Support Feet, 4" tall	ALL
NASA00106SS	Snow Stand Kit	ALL
EBAC05TXVX	TXV Kit, R-410A *	24
EBAC06TXVX	TXV Kit, R-410A *	36
EBAC07TXVX	TXV Kit, R-410A *	48, 60

Suggested Thermostats To Fully Optimize Two-Stage Heat Pump

TSTAT0404	—	ALL
TSTAT0405	Humidity Control	
TSTAT0406	4-Wire Capability with Daughter Board	
TSTAT0407	Humidity Control, 4-Wire Capability with Daughter Board	

All Thermostats Feature: Energy Star®, 7-Day Programming, Dual Fuel System Management, 3-Stage Heat, 2-Stage Cool, Auto Changeover, Digital Dealer Contact Info Display, Blue Backlit Display

Refer to Thermostat Product Specifications literature for complete details

* ONLY converts Fan Coils equipped with factory installed R-22 TXV.

COOLING & HEATING PERFORMANCE FOR COMBINATION RATINGS
Indoor Models

Outdoor Model	Current Indoor Model (‡ tested combo)	Furnace Model	Factory Installed (Field Installed)	Cool (95 ° F)						Heat (47 ° F)				Heat (17 ° F)				HSPF	
				High Stage			Low Stage			SEER	High Stage		Low Stage		High Stage		Low Stage		
				BTU/hr	S / T	EER	BTU/hr	S / T			BTU/hr	COP	BTU/hr	COP	BTU/hr	COP	BTU/hr		COP
C4H524GKA	‡^FVM4X36****		TDR & TXV	23400	0.73	12.4	17600	0.75	15.5	23600	3.36	17800	3.34	13600	2.62	5700	1.38	8.5	
	^FVM4X24****		TDR & TXV	23200	0.73	12.2	17600	0.75	15	23200	3.52	17600	3.42	13500	2.64	5500	1.36	8.4	
	^ED*4X30B**	*8MPV050***C	TDR & TXV	23400	0.73	11.6	17800	0.75	14.5	24000	3.22	18000	3.28	14000	2.5	5900	1.38	8.2	
	^ED*4X30F**	*8MPV075***C	TDR & TXV	23800	0.73	12.1	18000	0.75	15	23800	3.26	17800	3.32	13900	2.56	5900	1.4	8.2	
	^ED*4X30F**	*9MPV050***D	TDR & TXV	23400	0.73	11.9	17600	0.75	15	23800	3.24	17800	3.26	13800	2.52	5800	1.36	8.2	
	^ED*4X30F**	*9MPV075***D	TDR & TXV	23400	0.73	11.9	17800	0.75	15	23800	3.24	17800	3.28	13900	2.54	5900	1.38	8.2	
	^ED*4X36B**	*8MPV050***C	TDR & TXV	23600	0.73	11.7	18000	0.75	15	24000	3.24	18000	3.32	14000	2.52	5900	1.38	8.2	
	^ED*4X36B**	*8MPV075***C	TDR & TXV	23600	0.73	12.1	18000	0.75	15	23800	3.28	17800	3.34	13900	2.58	5800	1.4	8.2	
	^ED*4X36B**	*9MPV050***D	TDR & TXV	23400	0.73	11.8	17600	0.75	15	23800	3.26	17800	3.28	13800	2.54	5800	1.36	8.2	
	^ED*4X36B**	*9MPV075***D	TDR & TXV	23400	0.73	11.8	17800	0.75	15	23800	3.26	17800	3.3	13900	2.54	5900	1.38	8.2	
	^ED*4X36F**	*8MPV050***C	TDR & TXV	23600	0.73	11.7	18000	0.75	15	24000	3.24	18000	3.32	14000	2.54	5900	1.4	8.2	
	^ED*4X36F**	*8MPV075***C	TDR & TXV	23800	0.73	12.1	18000	0.75	15	23800	3.28	18000	3.36	13900	2.58	5900	1.4	8.3	
	^ED*4X36F**	*8MPV100***C	TDR & TXV	24200	0.73	12.3	18400	0.75	15.5	23800	3.3	18000	3.4	13900	2.62	5900	1.44	8.4	
	^ED*4X36F**	*9MPV050***D	TDR & TXV	23400	0.73	11.9	17800	0.75	15	23800	3.26	17800	3.32	13800	2.56	5800	1.38	8.2	
	^ED*4X36F**	*9MPV075***D	TDR & TXV	23600	0.73	11.9	18000	0.75	15	23800	3.26	18000	3.32	13900	2.56	5900	1.38	8.2	
	^ED*4X36F**	*9MPV100***D	TDR & TXV	24000	0.73	12.1	18000	0.75	15	23800	3.28	18000	3.34	13900	2.58	5900	1.4	8.2	
	^ED*4X36J**	*8MPV075***C	TDR & TXV	24000	0.73	12.2	18200	0.75	15.5	23800	3.3	18000	3.38	13900	2.6	5900	1.42	8.3	
	^ED*4X36J**	*9MPV050***D	TDR & TXV	23600	0.73	12	17800	0.75	15	23800	3.28	17800	3.32	13800	2.56	5800	1.38	8.2	
	^ED*4X36J**	*9MPV075***D	TDR & TXV	23600	0.73	12	18000	0.75	15	23800	3.26	18000	3.34	13900	2.56	5900	1.4	8.2	
	^EHD4X30A**	*8MPV050***C	TDR & TXV	23600	0.73	11.7	17800	0.75	15	24000	3.22	18000	3.3	14000	2.52	5900	1.38	8.2	
	^EHD4X30A**	*8MPV075***C	TDR & TXV	23600	0.73	12	17800	0.75	15	23800	3.28	17800	3.3	13900	2.56	5800	1.38	8.2	
	^EHD4X30A**	*8MPV100***C	TDR & TXV	24000	0.73	12.2	18000	0.75	15	23800	3.3	17800	3.34	13900	2.6	5900	1.4	8.3	
	^EHD4X30A**	*8MPV125***C	TDR & TXV	24000	0.73	12.3	18200	0.75	15	23800	3.3	18000	3.36	13900	2.6	5900	1.4	8.3	
	^EHD4X30A**	*9MPV050***D	TDR & TXV	23400	0.73	11.8	17600	0.75	15	23800	3.24	17800	3.26	13800	2.52	5800	1.36	8.2	
	^EHD4X30A**	*9MPV075***D	TDR & TXV	23400	0.73	11.8	17800	0.75	15	23800	3.24	17800	3.28	13900	2.54	5800	1.36	8.2	
	^EHD4X30A**	*9MPV100***D	TDR & TXV	23800	0.73	12	17800	0.75	15	23800	3.26	17800	3.28	13900	2.56	5800	1.38	8.2	
	^EHD4X30A**	*9MPV125***D	TDR & TXV	23800	0.73	12.1	18000	0.75	15	23800	3.28	17800	3.34	13900	2.58	5800	1.4	8.2	
	^EHD4X36A**	*8MPV050***C	TDR & TXV	24000	0.73	11.9	18200	0.75	15	24000	3.26	18000	3.38	14100	2.58	5900	1.4	8.3	
^EHD4X36A**	*8MPV075***C	TDR & TXV	24200	0.73	12.3	18200	0.75	15.5	23800	3.32	18000	3.42	13900	2.64	5900	1.42	8.4		
^EHD4X36A**	*9MPV050***D	TDR & TXV	23800	0.73	12.1	17800	0.75	15	23800	3.3	18000	3.36	13900	2.6	5800	1.38	8.3		
^EHD4X36A**	*9MPV075***D	TDR & TXV	23800	0.73	12.1	18000	0.75	15	24000	3.3	18000	3.38	14000	2.6	5900	1.38	8.3		
^EHD4X36A**	*9MPV100***D	TDR & TXV	24200	0.73	12.3	18200	0.75	15	24000	3.3	18000	3.38	14000	2.62	5900	1.4	8.4		
^EHD4X36A**	*9MPV125***D	TDR & TXV	24400	0.73	12.4	18400	0.75	15.5	23800	3.32	18000	3.42	13900	2.64	5900	1.44	8.4		
C4H736GKA	‡^FVM4X60****		TDR & TXV	35400	0.73	13.1	25400	0.76	17.5	36000	4.1	24200	4.1	21200	2.98	13700	2.46	9.5	
	^FVM4X24****		TDR & TXV	33600	0.73	12	24400	0.76	16	35800	3.74	24000	3.8	21200	2.76	13700	2.32	8.8	
	^FVM4X36****		TDR & TXV	33800	0.73	12.4	24600	0.76	16.5	35400	3.76	23800	3.84	21000	2.8	13600	2.34	8.9	
	^FVM4X48****		TDR & TXV	35000	0.73	13	25200	0.76	17	36000	4	24200	4.02	21200	2.92	13700	2.42	9.2	
	^ED*4X36B**	*8MPV050***C	TDR & TXV	33000	0.73	11.3	24200	0.76	15	36000	3.54	24200	3.68	21600	2.64	13900	2.26	8.5	
	^ED*4X36F**	*8MPV075***C	TDR & TXV	33800	0.73	11.9	24600	0.76	16	36000	3.72	24200	3.82	21400	2.76	13900	2.32	8.8	
	^ED*4X36F**	*9MPV050***D	TDR & TXV	33200	0.73	11.4	24200	0.76	15.5	36200	3.6	24000	3.72	21600	2.68	13900	2.28	8.6	
	^ED*4X36F**	*9MPV075***D	TDR & TXV	33400	0.73	11.6	24200	0.76	15.5	36000	3.64	24200	3.72	21600	2.7	13900	2.28	8.6	
	^ED*4X36J**	*9MPV100***D	TDR & TXV	34000	0.73	12	24800	0.76	16	36200	3.8	24400	3.92	21600	2.8	14000	2.36	9	
	ED*4X42F**		TDR & TXV	33400	0.73	11.3	24000	0.76	14	36000	3.6	24600	3.58	21800	2.66	14400	2.2	8.4	
	^ED*4X42F**	*8MPV075***C	TDR & TXV	34000	0.73	12	24000	0.76	16	36000	3.78	24400	3.88	21600	2.78	13900	2.34	9	
	^ED*4X42F**	*9MPV050***D	TDR & TXV	33600	0.73	11.5	24000	0.76	15.5	36000	3.66	24200	3.76	21800	2.7	13900	2.3	8.7	
^ED*4X42F**	*9MPV075***D	TDR & TXV	33800	0.73	11.7	24000	0.76	15.5	36000	3.7	24200	3.78	21600	2.72	13900	2.3	8.7		

* Indicates ENERGY STAR compliance for combinations with all three: SEER 14.0 or higher and EER 11.5 or higher and HSPF 8.2 or higher.

COOLING & HEATING PERFORMANCE FOR COMBINATION RATINGS (continued)

Indoor Models

Outdoor Model	Current Indoor Model (‡ tested combo)	Furnace Model	Factory Installed (Field Installed)	Cool (95 °F)						Heat (47 °F)				Heat (17 °F)				HSPF
				High Stage			Low Stage		SEER	High Stage		Low Stage		High Stage		Low Stage		
				BTU/hr	S / T	EER	BTU/hr	S / T		BTU/hr	COP	BTU/hr	COP	BTU/hr	COP	BTU/hr	COP	
C4H736GKA (continued)	^ED*4X42J**	*8MPV100***C	TDR & TXV	34600	0.73	12.2	25000	0.76	16.5	36400	3.9	24400	4	21600	2.84	14000	2.4	9.2
	^ED*4X42J**	*8MPV125***C	TDR & TXV	34600	0.73	12.4	25000	0.76	16.5	36200	3.9	24200	3.98	21400	2.86	13900	2.38	9.1
	^ED*4X42J**	*9MPV100***D	TDR & TXV	34400	0.73	12.1	25000	0.76	16	36400	3.86	24400	3.96	21600	2.82	14000	2.38	9.1
	^ED*4X42L**	*0MPV125***D	TDR & TXV	34400	0.73	12.3	25000	0.76	16.5	36200	3.9	24400	3.96	21400	2.84	14000	2.38	9.1
	^ED*4X48F**	*8MPV050***C	TDR & TXV	34200	0.73	11.7	25000	0.76	16	36800	3.8	24600	3.88	21800	2.76	14100	2.34	8.9
	^ED*4X48F**	*8MPV075***C	TDR & TXV	34800	0.73	12.2	25200	0.76	16.5	36800	3.96	24600	4.02	21800	2.86	14100	2.4	9.2
	^ED*4X48F**	*8MPV100***C	TDR & TXV	35200	0.73	12.4	25400	0.76	16.5	37000	4.08	24800	4.1	21800	2.92	14100	2.44	9.2
	^ED*4X48F**	*8MPV125***C	TDR & TXV	35200	0.73	12.6	25400	0.76	17	36800	4.08	24600	4.08	21600	2.92	14000	2.42	9.3
	^ED*4X48F**	*9MPV050***D	TDR & TXV	34400	0.73	11.7	24800	0.76	16	36800	3.84	24400	3.88	22000	2.76	14000	2.34	8.8
	^ED*4X48F**	*9MPV075***D	TDR & TXV	34600	0.73	11.9	25000	0.76	16	36800	3.88	24600	3.9	21800	2.8	14100	2.34	9
	^ED*4X48F**	*9MPV100***D	TDR & TXV	35000	0.73	12.3	25400	0.76	16.5	36800	4.02	24600	4.06	21800	2.88	14100	2.42	9.1
	^ED*4X48J**	*8MPV075***C	TDR & TXV	34600	0.73	12.2	25200	0.76	16.5	36600	3.94	24600	4	21600	2.84	14000	2.4	9.2
	^ED*4X48J**	*8MPV100***C	TDR & TXV	35200	0.73	12.4	25400	0.76	16.5	36800	4.04	24600	4.1	21600	2.9	14100	2.44	9.2
	^ED*4X48J**	*8MPV125***C	TDR & TXV	35200	0.73	12.5	25400	0.76	17	36600	4.06	24600	4.08	21600	2.92	14000	2.44	9.3
	^ED*4X48J**	*9MPV050***D	TDR & TXV	34200	0.73	11.7	24800	0.76	16	36800	3.8	24400	3.86	21800	2.76	14000	2.34	8.9
	^ED*4X48J**	*9MPV075***D	TDR & TXV	34400	0.73	11.9	24800	0.76	16	36600	3.84	24400	3.88	21800	2.78	14100	2.34	8.9
	^ED*4X48J**	*9MPV100***D	TDR & TXV	35000	0.73	12.3	25200	0.76	16.5	36800	4	24600	4.06	21800	2.88	14100	2.42	9.1
	^ED*4X48J**	*9MPV125***D	TDR & TXV	35000	0.73	12.4	25200	0.76	16.5	36600	4.02	24600	4.06	21600	2.9	14000	2.42	9.3
	^ED*4X48L**	*8MPV100***C	TDR & TXV	35200	0.73	12.4	25400	0.76	16.5	36800	4.06	24600	4.1	21600	2.92	14100	2.44	9.2
	^ED*4X48L**	*8MPV125***C	TDR & TXV	35200	0.73	12.6	25200	0.76	17	36600	4.06	24400	4.08	21600	2.92	13900	2.42	9.3
	^ED*4X48L**	*9MPV100***D	TDR & TXV	35000	0.73	12.3	25200	0.76	16.5	36800	4	24600	4.06	21800	2.88	14100	2.42	9.1
	^ED*4X48L**	*9MPV125***D	TDR & TXV	35000	0.73	12.4	25200	0.76	16.5	36600	4.02	24600	4.04	21600	2.9	14000	2.42	9.3
	^EHD4X36A**	*8MPV050***C	TDR & TXV	34000	0.73	11.6	24600	0.76	15.5	36400	3.7	24400	3.8	21800	2.72	14000	2.3	8.8
	^EHD4X36A**	*8MPV075***C	TDR & TXV	34600	0.73	12.1	25000	0.76	16	36400	3.86	24400	3.92	21600	2.82	14000	2.36	9
	^EHD4X36A**	*8MPV100***C	TDR & TXV	35000	0.73	12.3	25200	0.76	16.5	36600	3.96	24600	4.02	21600	2.86	14000	2.4	9.2
	^EHD4X36A**	*8MPV125***C	TDR & TXV	35000	0.73	12.5	25000	0.76	16.5	36400	3.96	24400	3.98	21400	2.88	13900	2.4	9.1
	^EHD4X36A**	*9MPV050***D	TDR & TXV	34200	0.73	11.7	24600	0.76	15.5	36600	3.74	24200	3.8	21800	2.74	13900	2.3	8.8
	^EHD4X36A**	*9MPV075***D	TDR & TXV	34200	0.73	11.8	24600	0.76	15.5	36400	3.76	24400	3.8	21600	2.76	14000	2.32	8.8
	^EHD4X36A**	*9MPV100***D	TDR & TXV	34800	0.73	12.2	25000	0.76	16	36600	3.9	24400	3.96	21600	2.84	14000	2.38	9.1
	^EHD4X36A**	*9MPV125***D	TDR & TXV	34800	0.73	12.3	25000	0.76	16.5	36400	3.94	24400	3.96	21600	2.86	14000	2.38	9.1
	^EHD4X42A**	*8MPV050***C	TDR & TXV	34200	0.73	11.7	24800	0.76	15.5	36600	3.76	24400	3.84	21800	2.74	14100	2.32	8.8
	^EHD4X42A**	*8MPV075***C	TDR & TXV	34800	0.73	12.2	25200	0.76	16.5	36600	3.92	24600	3.98	21600	2.84	14000	2.38	9.1
	^EHD4X42A**	*8MPV100***C	TDR & TXV	35200	0.73	12.5	25400	0.76	16.5	36800	4.04	24600	4.06	21600	2.9	14000	2.42	9.2
	^EHD4X42A**	*8MPV125***C	TDR & TXV	35200	0.73	12.6	25200	0.76	17	36600	4.04	24400	4.04	21600	2.92	13900	2.42	9.3
	^EHD4X42A**	*9MPV050***D	TDR & TXV	34400	0.73	11.7	24800	0.76	16	36600	3.78	24400	3.84	21800	2.76	14000	2.32	8.9
	^EHD4X42A**	*9MPV075***D	TDR & TXV	34400	0.73	11.9	24800	0.76	16	36600	3.82	24400	3.84	21800	2.78	14000	2.34	8.9
	^EHD4X42A**	*9MPV100***D	TDR & TXV	35000	0.73	12.3	25400	0.76	16.5	36800	3.98	24600	4.02	21800	2.86	14100	2.4	9.2
	^EHD4X42A**	*9MPV125***D	TDR & TXV	35200	0.73	12.4	25200	0.76	16.5	36600	4	24600	4.02	21600	2.9	14000	2.4	9.2
	^EHD4X48A**	*8MPV050***C	TDR & TXV	34400	0.73	11.7	25000	0.76	16	36600	3.78	24600	3.86	21800	2.74	14100	2.34	8.9
	^EHD4X48A**	*8MPV075***C	TDR & TXV	35000	0.73	12.3	25200	0.76	16.5	36600	3.94	24600	4	21600	2.86	14000	2.4	9.1
^EHD4X48A**	*8MPV100***C	TDR & TXV	35400	0.73	12.5	25600	0.76	17	36800	4.06	24600	4.1	21800	2.92	14100	2.44	9.2	
^EHD4X48A**	*8MPV125***C	TDR & TXV	35400	0.73	12.6	25400	0.76	17	36600	4.06	24400	4.06	21600	2.92	13900	2.42	9.3	
^EHD4X48A**	*9MPV050***D	TDR & TXV	34400	0.73	11.8	24800	0.76	16	36800	3.82	24400	3.86	21800	2.76	14000	2.34	8.8	
^EHD4X48A**	*9MPV075***D	TDR & TXV	34600	0.73	12	25000	0.76	16	36600	3.86	24400	3.88	21800	2.8	14000	2.34	8.9	
^EHD4X48A**	*9MPV100***D	TDR & TXV	35200	0.73	12.3	25400	0.76	16.5	36800	4	24600	4.04	21800	2.88	14100	2.4	9.1	
^EHD4X48A**	*9MPV125***D	TDR & TXV	35200	0.73	12.5	25400	0.76	16.5	36800	4.04	24600	4.04	21600	2.9	14000	2.42	9.2	

* Indicates ENERGY STAR compliance for combinations with all three: SEER 14.0 or higher and EER 11.5 or higher and HSPF 8.2 or higher.

- continued on next page -

COOLING & HEATING PERFORMANCE FOR COMBINATION RATINGS (continued)
Indoor Models

Outdoor Model	Current Indoor Model (‡ tested combo)	Furnace Model	Factory Installed (Field Installed)	Cool (95 °F)						Heat (47 °F)				Heat (17 °F)				HSPF	
				High Stage			Low Stage			SEER	High Stage		Low Stage		High Stage		Low Stage		
				BTU/hr	S / T	EER	BTU/hr	S / T	BTU/hr		COP	BTU/hr	COP	BTU/hr	COP	BTU/hr	COP		
C4H548GKA	‡^FVM4X60****		TDR & TXV	46500	0.73	12.2	34200	0.77	15.5	48000	3.74	34600	3.84	29000	2.78	19200	2.52	9	
	^FVM4X48****		TDR & TXV	45500	0.73	11.9	33800	0.77	15	48000	3.58	34600	3.74	29000	2.7	19200	2.48	8.7	
	ED*4X48J**	*8MPV100***C	TDR & TXV	45000	0.73	11.3	33400	0.77	14.5	49000	3.54	34800	3.7	29400	2.66	19500	2.44	8.6	
	ED*4X48J**	*8MPV125***C	TDR & TXV	45000	0.73	11.4	33200	0.77	14.5	49000	3.56	34600	3.68	29400	2.66	19300	2.44	8.6	
	ED*4X48J**	*9MPV100***D	TDR & TXV	44500	0.73	11	33200	0.77	14	49500	3.5	34800	3.66	29600	2.62	19500	2.42	8.6	
	ED*4X48L**	*9MPV125***D	TDR & TXV	44500	0.73	11.2	33200	0.77	14.5	49000	3.52	34800	3.66	29400	2.64	19400	2.44	8.6	
	^ED*4X60J**	*8MPV100***C	TDR & TXV	46000	0.73	11.6	34200	0.77	15	49000	3.62	35000	3.78	29600	2.7	19500	2.48	8.8	
	^ED*4X60J**	*8MPV125***C	TDR & TXV	46000	0.73	11.7	34000	0.77	15	49000	3.64	34800	3.78	29400	2.7	19400	2.48	8.8	
	ED*4X60J**	*9MPV100***D	TDR & TXV	46000	0.73	11.4	34000	0.77	14.5	49000	3.58	35000	3.74	29800	2.66	19600	2.46	8.7	
	^ED*4X60L**	*9MPV125***D	TDR & TXV	46000	0.73	11.5	33800	0.77	15	49000	3.58	35000	3.72	29600	2.66	19500	2.46	8.7	
	EHD4X48A**	*8MPV100***C	TDR & TXV	45500	0.73	11.4	33600	0.77	14.5	49500	3.56	34800	3.7	29600	2.66	19500	2.44	8.7	
	^EHD4X48A**	*8MPV125***C	TDR & TXV	45500	0.73	11.5	33400	0.77	15	49000	3.58	34600	3.68	29400	2.68	19300	2.44	8.6	
	EHD4X48A**	*9MPV100***D	TDR & TXV	45000	0.73	11.1	33400	0.77	14.5	49500	3.52	34800	3.66	29600	2.62	19500	2.42	8.6	
	EHD4X48A**	*9MPV125***D	TDR & TXV	45000	0.73	11.3	33400	0.77	14.5	49500	3.54	34800	3.68	29600	2.64	19500	2.44	8.6	
	^EHD4X60A**	*8MPV100***C	TDR & TXV	46500	0.73	11.6	34200	0.77	15	49500	3.66	35000	3.78	29600	2.7	19500	2.48	8.8	
	^EHD4X60A**	*8MPV125***C	TDR & TXV	46500	0.73	11.7	34000	0.77	15	49500	3.68	34800	3.78	29600	2.72	19400	2.48	8.8	
EHD4X60A**	*9MPV100***D	TDR & TXV	46000	0.73	11.4	34000	0.77	14.5	49500	3.6	35000	3.74	29800	2.66	19600	2.46	8.7		
^EHD4X60A**	*9MPV125***D	TDR & TXV	46000	0.73	11.5	34000	0.77	15	49500	3.62	35000	3.76	29600	2.68	19500	2.48	8.8		
C4H560GKA	‡^FVM4X60****		TDR & TXV	57000	0.72	11.6	42000	0.77	15	59000	3.62	43000	3.74	36200	2.72	25800	2.54	8.5	
	ED*4X60J**	*8MPV100***C	TDR & TXV	56500	0.72	10.8	41500	0.77	14	59500	3.44	43500	3.62	37200	2.6	26200	2.48	8.5	
	ED*4X60J**	*8MPV125***C	TDR & TXV	56500	0.72	11.1	41500	0.77	14.5	59000	3.48	43000	3.62	36800	2.62	26000	2.48	8.5	
	ED*4X60J**	*9MPV100***D	TDR & TXV	56000	0.72	10.6	41500	0.77	14	59500	3.4	43500	3.58	37200	2.56	26400	2.44	8.4	
	ED*4X60L**	*9MPV125***D	TDR & TXV	56000	0.72	10.7	41000	0.77	14	59500	3.4	43000	3.58	37200	2.58	26200	2.44	8.4	
	EHD4X60A**	*8MPV100***C	TDR & TXV	56500	0.72	10.9	41500	0.77	14	60000	3.5	43500	3.66	37200	2.62	26200	2.48	8.6	
	EHD4X60A**	*8MPV125***C	TDR & TXV	56500	0.72	11.1	41500	0.77	14.5	60000	3.54	43000	3.64	36800	2.64	26000	2.48	8.6	
	EHD4X60A**	*9MPV100***D	TDR & TXV	56500	0.72	10.7	41500	0.77	14	60500	3.46	43500	3.6	37400	2.58	26400	2.46	8.4	
	EHD4X60A**	*9MPV125***D	TDR & TXV	56500	0.72	10.8	41500	0.77	14	60000	3.48	43500	3.62	37200	2.6	26200	2.46	8.5	

^ Indicates ENERGY STAR compliance for combinations with all three: SEER 14.0 or higher and EER 11.5 or higher and HSPF 8.2 or higher.

OUTDOOR UNIT MODEL NUMBER IDENTIFICATION GUIDE (single phase)											
Digit Position:	1	2	3	4	5, 6	7	8	9	10	11	12
Example Part Number:	C	4	H	5	24	G	K	A	1	0	0
C = Comfortmaker Mainline N = Comfortmaker Entry BRANDING											
2 = R-22 4 = R-410A REFRIGERANT											
A = Air Conditioner H = Heat Pump TYPE											
3 = 13 SEER 4 = 14 SEER 5 = 15 SEER 6 = 16 SEER 7 = 17 SEER 8 = 18 SEER NOMINAL EFFICIENCY											
24 = 24,000 BTUH = 2 tons 36 = 36,000 BTUH = 3 tons 48 = 48,000 BTUH = 4 tons 60 = 60,000 BTUH = 5 tons NOMINAL CAPACITY											
A = Standard Grille G = Coil Guard Grille C = Coastal FEATURES											
K = 208/230-1-60 VOLTAGE											
Sales Code											
Engineering Revision											
Extra Digit											
Extra Digit											

ACCESSORIES PART NUMBER IDENTIFICATION GUIDE									
Digit Position:	1	2	3	4	5	6, 7	8, 9	10, 11	
Example Part Number:	N	A	S	A	0	01	01	CH	
N = Non-Branded BRANDING									
A = Accessory PRODUCT GROUP									
S = Split System (AC & HP) KIT USAGE									
A = Original B = 2nd Generation MAJOR SERIES									
0 = Generic or Not Applicable 2 = R-22 4 = R-410A REFRIGERANT									
Product Identifier Number									
Package Quantity									
Type of Kit (Example: CH = Crankcase Heater)									