

Deluxe 80 Single Stage Downflow

Flexibility

- 40" high for more noise reduction and ease of installation.
- Factory shipped for natural gas, with LP Gas conversion kits available.
- Dedicated downflow installation.
- Category I venting.
- Common venting with water heater.

Service

- Self diagnostics.
- Entire blower assembly mounted on rails.

Quality

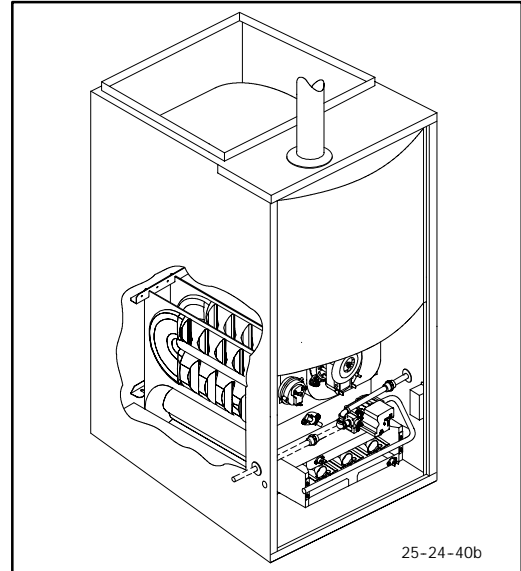
- RPJ III Aluminized steel heat exchanger.
- 20 year limited warranty on heat exchangers and 5 years on parts.
- High temperature limit control prevents overheating.
- Hot surface pilot ignition device.
- Flame roll-out sensors standard.
- Louvered doors.
- One piece prepainted steel cabinet.
- Filter rack with permanent filters.

Comfort

- Adjustable timed blower Off delay.
- Humidifier terminal
- Electronic air cleaner terminal.

Efficiency

- 80% AFUE efficiency range. +
- Single stage gas valve operation.
- Single stage fan timer.
- Multispeed, prelubricated PSC motors.
- Induced draft blower.
- In-shot burners.
- California NOx approved.



Representative drawing only, some models may vary in appearance.

WARNING

This furnace is not designed for use inside mobile homes, trailers, or recreational vehicles. Such use could result in property damage, bodily injury, and/or death.

DOWNFLOW (NATURAL GAS)

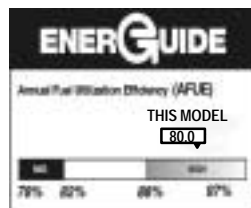
Model Number	Heat Exchangers #	Dimensions H x W x D (In.)	Price
T8DNL050B12A	20 year	40 x 15 ¹ / ₂ x 29	
T8DNL075B12A	20 year	40 x 15 ¹ / ₂ x 29	
T8DNL075F16A	20 year	40 x 19 ¹ / ₈ x 29	
T8DNL100F14A	20 year	40 x 19 ¹ / ₈ x 29	
T8DNL100L20A	20 year	40 x 24 ¹ / ₂ x 29	
T8DNL125L20A	20 year	40 x 24 ¹ / ₂ x 29	

20 YEAR LIFETIME WARRANTY

PERFORMANCE DATA HEATING

Model Number	Input (MBTUH)	Efficiency AFUE +	Cooling Cap. @ .5" W.C.
*8DNL050B12A	50,000	80%	1.5 - 3.0 TON
*8DNL075B12A	75,000	80%	1.5 - 3.0 TON
*8DNL075F16A	75,000	80%	2.5 - 4.0 TON
*8DNL100F14A	100,000	80%	3.5 - 5.0 TON
*8DNL100L20A	100,000	80%	3.5 - 5.0 TON
*8DNL125L20A	125,000	80%	3.5 - 5.0 TON

* Denotes Brand



FURNACE SPECIFICATIONS MULTI-POSITION

Model Number	NATURAL GAS	*8DNL					
		050B12	075B12	075F16	100F14	100L20	125L20
INPUT (btuh)		50,000	75,000	75,000	100,000	100,000	125,000
HTG. CAP. (btuh) +		40,000	61,000	61,000	81,000	81,000	101,000
AFUE % (ICS) +		80%	80%	80%	80%	80%	80%
TEMP. RISE (deg. F)		35-65	35-65	35-65	35-65	30-60	35-65
VOLTS/PH/Hz		115/1/60	115/1/60	115/1/60	115/1/60	115/1/60	115/1/60
RATING PLATE AMPS.		9.3	9.4	12.4	10.0	11.5	11.5
TRANSFORMER (V.A.)		40	40	40	40	40	40
GAS PIPE SIZE (IN.)		1/2	1/2	1/2	1/2	1/2	1/2
VENT COLLAR SIZE		4"	4"	4"	4"	4"	5"
COOLING CAP.		3.0	3.0	4.0	3.5	5.0	5.0
SHIPPING WEIGHT (LBS.)		142	145	160	162	176	184
DIMENSIONS (in.) HEIGHT		40	40	40	40	40	40
WIDTH X DEPTH		15 1/2 x 29	15 1/2 x 29	19 1/8 x 29	19 1/8 x 29	24 1/2 x 29	24 1/2 x 29

(ICS) = Isolated Combustion System

ACCESSORIES

Model Number	Description	Used With Models
TWINNING KIT		
NAHA003WK	Twinning kit. Allows operation of two identical-size model furnaces.	ALL *8DNL FURNACES
GAS CONVERSION KITS		
NAHL002LP 1160991 +	Natural gas to LP (propane) conversion Kit. Allows field conversion to LP (propane) gas.	ALL *8DNL FURNACES
NAHF002NG 1009510 +	LP (Propane) to natural gas conversion kit. Allows field conversion to natural gas. (Single Stage)	ALL *8DNL FURNACES
FILTER KITS		
NAHA001FF	External filter frame. 16" x 25"	Bottom Return (All "F" 19 1/8" Furnaces under 1650 CFM)
NAHA002FF	Bottom return filter frame kit 20" x 25".	(All "J" 22 3/4" Furnaces)
NAHA003FF	Bottom or side return filter frame kit 14" x 25".	(All "B" 15 1/2" Furnaces)
NAHA004FF	Bottom return filter frame kit 25" x 25".	*8DNL100-125L
NAHA001TK	Duct Standoff Filter Kit. To adapt 20" x 25" filter for single side return.	Bottom Return (All "F" 19 1/8" Furnaces under 1650 CFM)
COMBUSTIBLE FLOOR SUBBASES		
NAHH001SB	Subbase Furnace ONLY: All 15 1/2" wide furnace models	*8DNL050-075B
NAHH002SB	Subbase Furnace ONLY: All 19 1/4" wide furnace models	*8DNL075-100F
NAHH010SB	Subbase Furnace ONLY: All 24 1/2" wide furnace models	*8DNL100-125L
NAHH004SB	Subbase Furnace w/15 1/2" cased coil	*8DNL050-075B
NAHH005SB	Subbase Furnace w/19 1/4" cased coil	*8DNL075-100F
NAHH009SB	Subbase Furnace w/24 1/2" cased coil	*8DNL100-125L
WARNING LABEL REPLACEMENT KIT		
NAHL001WL	To replace Warning Labels, Operating Instructions & Wiring Labels on Blower Door when needed	*8DNL

+ Fast part number

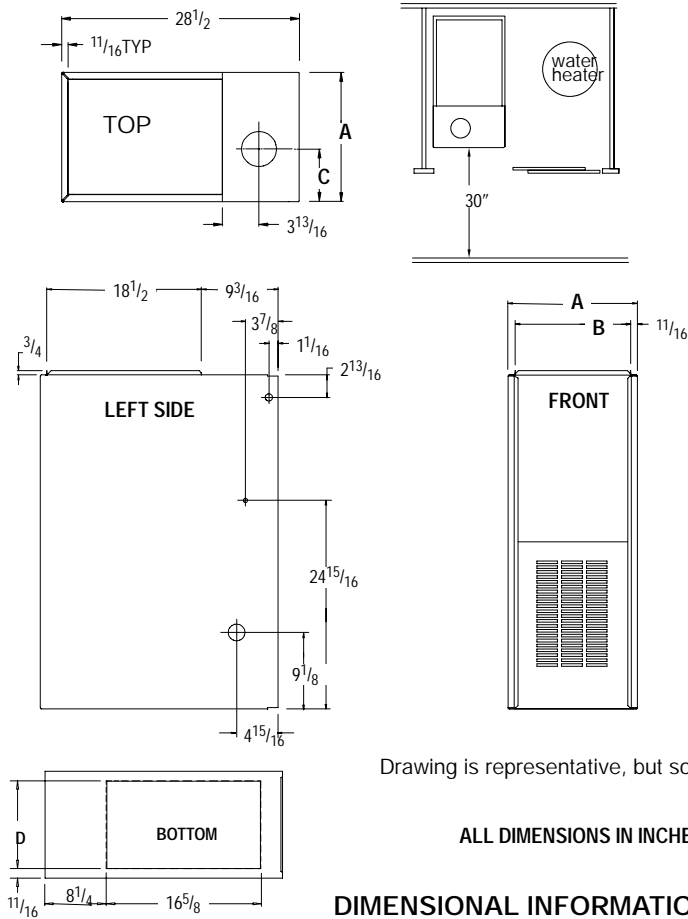
BLOWER PERFORMANCE MULTI-POSITION

Model Number	*8DNL					
	050B12	075B12	075F16	100F14	100L20	125L20
BLOWER TYPE AND SIZE	11x8	11x8	11 x 10	11 x 10	11 x 10	11x10
MOTOR H.P. (TYPE)	1/2/PSC	1/3/PSC	1/2/PSC	1/2/PSC	3/4/PSC	3/4/PSC
MOTOR SPEEDS	4	4	4	4	4	4

AIRFLOW DATA

.10 ESP IN. W.C.	LOW	702	634	648	756	1798	1936
	MEDIUM LOW	963	728	900	1012	2024	2165
	MEDIUM HIGH	1260	975	1285	1372	2212	2319
	HIGH	1537	1353	1789	1881	2375	---
.20 ESP IN. W.C.	LOW	663	584	638	671	1754	1891
	MEDIUM LOW	904	690	908	950	1960	2097
	MEDIUM HIGH	1222	955	1307	1323	2147	2283
	HIGH	1477	1330	1768	1803	2290	---
.30 ESP IN. W.C.	LOW	624	533	628	585	1709	1845
	MEDIUM LOW	845	653	916	888	1896	2028
	MEDIUM HIGH	1183	936	1328	1273	2081	2246
	HIGH	1416	1307	1747	1724	2205	2334
.40 ESP IN. W.C.	LOW	567	494	620	538	1662	1787
	MEDIUM LOW	803	606	903	834	1835	1965
	MEDIUM HIGH	1136	898	1319	1225	2002	2154
	HIGH	1362	1266	1714	1665	2116	2253
.50 ESP IN. W.C.	LOW	510	454	611	491	1614	1728
	MEDIUM LOW	760	559	889	780	1774	1902
	MEDIUM HIGH	1088	861	1309	1176	1922	2061
	HIGH	1308	1225	1680	1606	2026	2172
.60 ESP IN. W.C.	LOW	461	413	584	439	1542	1632
	MEDIUM LOW	689	516	866	739	1694	1799
	MEDIUM HIGH	1003	799	1275	1106	1837	1959
	HIGH	1210	1156	1634	1544	1943	2062
.70 ESP IN. W.C.	LOW	412	373	557	387	1470	1536
	MEDIUM LOW	617	473	843	697	1614	1695
	MEDIUM HIGH	917	737	1240	1035	1752	1856
	HIGH	1111	1087	1588	1481	1860	1952
.80 ESP IN. W.C.	LOW	361	314	521	321	1376	1434
	MEDIUM LOW	543	433	796	629	1521	1593
	MEDIUM HIGH	791	671	1181	954	1650	1728
	HIGH	1030	985	1520	1381	1753	1820
.90 ESP IN. W.C.	LOW	310	255	485	255	1282	1331
	MEDIUM LOW	468	392	748	561	1428	1490
	MEDIUM HIGH	664	605	1122	873	1548	1600
	HIGH	948	884	1452	1281	1645	1687
1.00 ESP IN. W.C.	LOW	249	232	441	210	1065	1215
	MEDIUM LOW	436	294	680	444	1263	1352
	MEDIUM HIGH	529	529	1041	767	1407	1424
	HIGH	808	764	1374	1132	1508	1537

UNIT DIMENSIONS



Drawing is representative, but some models may vary

ALL DIMENSIONS IN INCHES (millimeters)

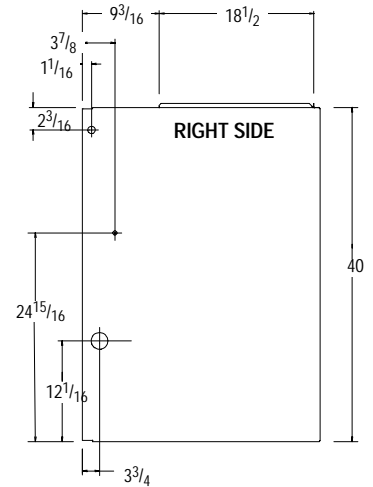
DIMENSIONAL INFORMATION

Unit Capacity	Cabinet		Top	Bottom
	A	B	C	D
*8DNL050B12 *8DNL075B12	15 ¹ / ₂	14	5 ⁵ / ₁₆	14 ¹ / ₈
*8DNL075F16 *8DNL100F14	19 ¹ / ₈	17 ⁵ / ₈	7 ³ / ₄	17 ¹¹ / ₁₆
*8DNL100L20 *8DNL125L20	24 ¹ / ₂	23	10 ⁷ / ₁₆	23 ¹ / ₈

* Dentoos Brand

MINIMUM CLEARANCES TO COMBUSTIBLE MATERIALS FOR ALL UNITS	
REAR	0
FRONT	3"
Recommended For Service	30"
ALL SIDES OF SUPPLY PLENUM	1"
SIDES	0
VENT	
Single Wall Vent	6"
Type B-1 Double Wall Vent	1"
TOP OF FURNACE	1"

Horizontal position: Line contact is permissible only between lines formed by intersections of top and two sides of furnace jacket, and building joists, studs or framing.



25-24-15a-1

NOTE: Evaporator "A" coil drain pan dimensions may vary from furnace duct opening size. Always consult evaporator specifications for duct size requirements.

Unit is designed for top return ONLY.

Return air through back of unit is NOT allowed.

MODEL NUMBER IDENTIFICATION GUIDE

* 8 DN L 075 B 12 A #	
Brand	Engineering Rev. Denotes minor changes
Brand Efficiency 8 = Non-Condensing, 80+% Gas Furnace 9 = Condensing, 90+% Gas Furnace	Marketing Digit Denotes minor change
Installation Configuration UP = Upflow DN = Downflow UH = Upflow/Horizontal HZ = Horizontal DH = Downflow/Horizontal MP = Multiposition, Upflow/Downflow/Horizontal	Cooling Airflow 08 = 800 CFM 16 = 1600 CFM 12 = 1200 CFM 20 = 2000 CFM 14 = 1400 CFM
Major Design Feature 1 = One (Single) Pipe N = Single Stage 2 = Two Pipe P = PVC Vent D = 1 or 2 Pipe T = Two Stage L = Low NOx V = Variable Speed	Cabinet Width B = 15.5" Wide J = 22.8" Wide F = 19.1" Wide L = 24.5" Wide
Input (Nominal MBTUH)	

* Denotes Brand

SPECIFICATIONS SUBJECT TO CHANGE WITHOUT NOTICE