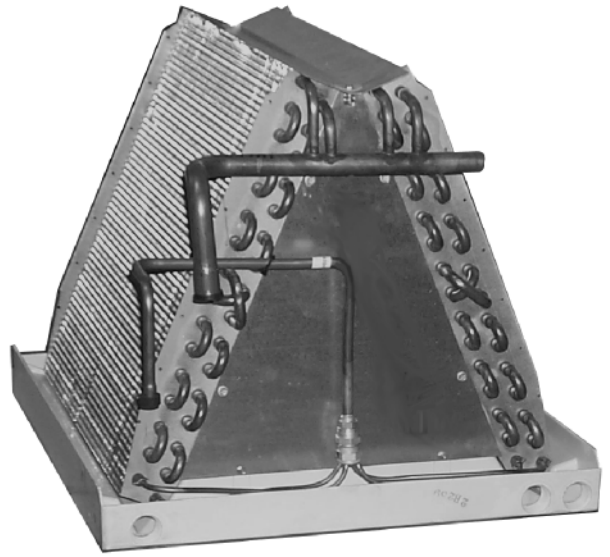


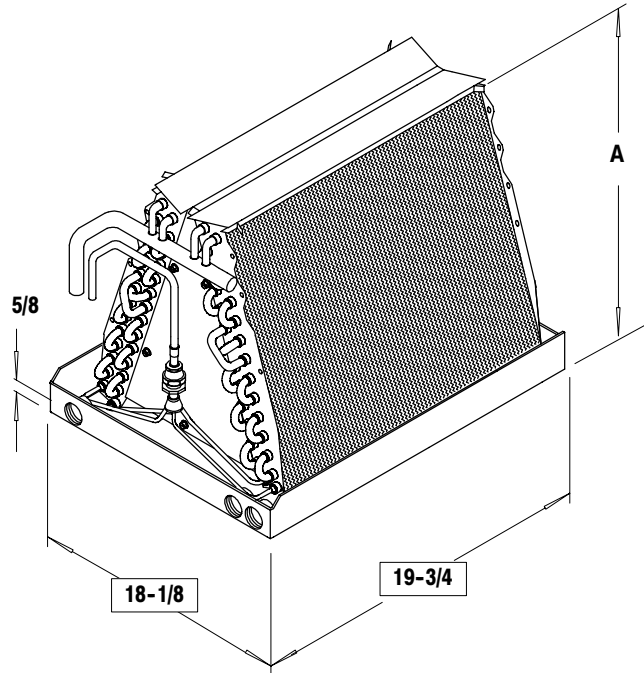
2 THRU 4 TON COILS FEATURES

- Copper Tube/ Lanced Aluminum Fin Coil
- Three Primary Condensate Drain Connections
- Field Selectable Secondary Drain Location
- Polymer Thermoset Sloped Drain Pan
- Sweat Connect
- Dry Air Holding Charge
- Upflow/Downflow Applications
- Coils Feature Orifice Pin Refrigerant Metering
- Thermostatic Expansion Valve Kit Available
- Shipped with Fittings and Adapter Plates
- Shipped with Condensate Drain Hose and Trap



Rated in accordance with ARI Standards 210 & 240. Certification applies only when used with proper components as listed with ARI.

DIMENSIONS



"A" COILS

Model No.	Height (inches)	Weights		Refrigerant Control	Connection Sweat	
	A	Net	Shpg.		Liq.	Suc.
EMH24F19A	14-1/2	17	21	.059	3/8	3/4
EMH30F19A	16-1/8	22	26	.065	3/8	3/4
EMH36F19A	18-5/8	26	30	.072	3/8	3/4
EMH42F19A	18-1/2	30	34	.078	3/8	3/4
EMH48F19A	18-1/2	33	39	.079	3/8	3/4

AIRFLOW PERFORMANCE DATA (CFM vs DRY/WET STATIC @ INCHES WATER COLUMN)

Model No.	600		700		800		900		1000		1100		1200		1300		1400		1500		1600		1700	
	Dry	Wet	Dry	Wet	Dry	Wet	Dry	Wet	Dry	Wet	Dry	Wet	Dry	Wet	Dry	Wet	Dry	Wet	Dry	Wet	Dry	Wet	Dry	Wet
EMH24F	.11	.12	.14	.15	.18	.19	.23	.23	.27	.29														
EMH30F					.13	.17	.16	.20	.19	.24	.22	.28	.26	.33										
EMH36F									.19	.21	.21	.24	.25	.28	.29	.33	.33	.37						
EMH42F									.21	.27	.25	.32	.29	.37	.33	.43	.33	.49						
EMH48F											.20	.25	.23	.29	.27	.35	.32	.40	.36	.46	.41	.52	.47	.58

CONDENSER ONLY MATCHES

OUTDOOR MODEL	INDOOR MODEL	COOLING					CFM	PIN	dBels
		BTUH	SEER	EER	S/T	WATTS			
FBA018GC	EMH24F19A	18,800	10.40	9.90	.74	1898	600	.053 #	76
	EMH30F19A	19,000	10.50	10.10	.74	1881	600	.053 #	
FBA024GC	EMH24F19A	22,800	10.05	9.10	.74	2505	750	.061 #	76
	EMH30F19A	23,400	10.20	9.30	.74	2516	750	.061 #	
	EMH36F19A	24,000	10.25	9.50	.75	2526	750	.061 #	
FBA030GC	EMH30F19A	28,800	10.05	9.20	.76	3130	1000	.065 #	76
	EMH36F19A	29,000	10.20	9.20	.76	3152	1000	.066 #	
FBA036GC	EMH36F19A	33,600	10.05	9.1	.79	3692	1200	.065 #	76
	EMH42F19A	34,400	10.15	9.30	.72	3698	1200	.065 #	
	EMH48F19A	35,400	10.40	9.40	.76	3765	1200	.065 #	
FBA042GC	EMH42F19A	39,500	10.05	9.30	.74	4247	1225	.078 #	78
	EMH48F19A	40,000	10.30	9.40	.76	4308	1300	.079 #	
FBA048GC	EMH48F19A	43,000	10.05	9.40	.73	4574	1300	.082 #	82

CONDENSER ONLY MATCHES

OUTDOOR MODEL	INDOOR MODEL	COOLING					CFM	Orifice PIN	dBels
		BTUH	SEER	EER	S/T	WATTS			
AGO18GB	EMH24F19A	18,800	10.40	9.90	.74	1898	600	.053 #	72
	EMH30F19A	19,000	10.50	10.10	.74	1881	600	.053 #	
AGO24GB	EMH24F19A	22,800	10.05	9.10	.74	2505	750	.061 #	74
	EMH30F19A	23,400	10.20	9.30	.74	2516	750	.061 #	
	EMH36F19A	24,000	10.25	9.50	.75	2526	750	.061 #	
AGO30GB	EMH30F19A	28,800	10.05	9.20	.76	3130	1000	.065 #	76
	EMH36F19A	29,000	10.20	9.20	.76	3152	1000	.066 #	
AGO36GB	EMH36F19A	33,600	10.05	9.1	.79	3692	1200	.065 #	76
	EMH42F19A	34,400	10.15	9.30	.72	3698	1200	.065 #	
AGO42GB	EMH42F19A	39,500	10.05	9.30	.74	4247	1225	.078 #	76
	EMH48F19A	40,000	10.30	9.40	.76	4308	1300	.079 #	
AGO48GB	EMH48F19A	43,000	10.05	9.40	.73	4574	1300	.082 #	78

Outdoor Model	Indoor Model	BTUH	Base Match SEER	ACCESSORIES			EER	WATTS	S/T	CFM	Orifice	dBels
				+ TD1	+ TXV	+ TD1 + TXV						
				SEER	SEER	SEER						
AH018GA	EMH24F19A	19,100	11.20	11.50	12.05	-	11.1	1720	.72	600	.051#	70
	EMH30F19A	19,300	11.30	11.60	12.05	-	11.3	1708	.72	600	.051#	
AH024GA	EMH24F19A	22,400	11.30	11.50	11.60	-	10.4	2154	.75	800	.059#	72
	EMH30F19A	22,600	11.20	11.40	11.60	-	10.3	2194	.75	800	.059#	
	EMH36F19A	23,600	11.50	11.70	12.00	-	10.7	2206	.76	800	.059#	
AH030GA	EMH30F19A	29,200	10.80	11.00	11.30	11.40	10.0	2920	.72	1000	.065#	74
	EMH36F19A	30,400	11.20	11.30	11.60	-	10.30	2951	.73	1000	.066#	
AH036GA	EMH36F19A	33,600	11.00	11.20	11.30	-	10.2	3294	.73	1200	.072#	76
	EMH42F19A	35,600	11.50	11.80	12.00	-	10.8	3296	.75	1200	.070#	
	EMH48F19A	36,000	11.60	11.90	12.10	-	10.8	3333	.73	1200	.070#	
AH042GA	EMH42F19A	39,000	11.30	11.50	-	11.80	10.3	3834	.73	1400	.078#	76
	EMH48F19A	39,500	11.50	11.80	-	-	10.5	3761	.73	1400	.079#	
AH048GA	EMH48F19A	44,000	11.30	-	11.50	-	10.1	4406	.71	1600	.082#	76

HEAT PUMP MATCHES

Outdoor Unit	Indoor Unit	Cooling					47° F			17° F		CFM	Orifice Size	dBels
		MBh	SEER	EER	S/T	WATTS	MBh	COP	HSPF	MBh	COP			
FBY018GB/C	EMH24F19A	18.0	10.05	9.8	.72	1836	18.0	3.12	6.80	11.2	2.00	600	.048#	76
FBY024GB/C	EMH30F19A	23.0	10.05	9.7	.74	2371	24.0	3.32	6.80	12.7	1.94	800	.058#	76
FBY030GB/C	EMH36F19A	29.0	10.05	9.5	.77	3052	29.0	3.28	6.80	16.5	2.18	1000	.063#	76
FBY036GB/C	EMH36F19A	33.4	10.05	9.4	.79	3553	33.4	3.30	6.80	19.4	2.14	1200	.067#	76
	EMH42F19A	33.4	10.05	9.4	.79	3553	33.4	3.30	6.80	19.4	2.14	1200	.067#	
FBY042GB	EMH48F19A	41.0	10.05	9.6	.78	4270	39.5	3.16	6.80	25.0	2.30	1400	.073#	78

Outdoor Model	Indoor Model	COOLING 95° F					47° F			17° F		CFM	Orifice Pin	dBels
		MBh	SEER	S/T	EER	WATTS	MBh	COP	HSPF	MBh	COP			
YJ018GB	EMH24F19A	17.0	10.20	.77	9.5	1789	17.2	3.32	7.20	9.7	1.98	650	.048#	72
YJ024GB	EMH30F19A	23.6	10.10	.72	9.4	2510	24.8	3.28	7.40	14.7	2.16	800	.056#	74
YJ030GB	EMH36F19A	28.6	10.50	.76	9.6	2979	30.0	3.28	7.00	17.1	2.16	1000	.063#	76
YJ036GB	EMH42F19A	34.8	10.35	.71	9.3	3741	35.8	3.34	7.40	21.8	2.22	1200	.070#	76
YJ042GB	EMH42F19A	40.0	10.00	.73	9.3	4301	40.0	3.22	7.05	23.6	2.06	1400	.073#	76
	EMH48F19A + TD1 + TXV	40.0	11.05	.73	9.4	4308	40.0	3.22	7.20	23.6	2.06	1400	TXV	
YJ048GB	EMH48F19A	46.0	10.20	.76	9.7	4742	47.5	3.40	7.40	29.6	2.32	1600	.082#	78

Outdoor Model	Indoor Model	Cooling					47 Heating			17 Heating		CFM	dBels
		BTUH	SEER	EER	S/T	WATTS	BTUH	COP	HSPF	BTUH	COP		
YG018GB	EMH36F19A + TXV	22,400	12.05	10.4	.78	2153	22,400	3.34	7.50	13,600	2.16	800	72
YG024GB	EMH42F19A + TXV	22,800	12.05	10.5	.78	2171	22,400	3.34	7.50	13,600	2.16	800	74
YG030GB	EMH42F19A + TXV + TD1	28,400	11.50	10.1	.75	2811	28,400	3.42	7.50	17,000	2.22	1000	76
YG036GB	EMH48F19A + TXV	34,600	12.05	10.6	.74	3264	36,000	3.26	7.50	21,200	2.14	1200	76
YG042GB	EMH48F19A + TXV	38,000	11.50	10.1	.74	3762	42,000	3.14	7.50	26,400	2.30	1400	76

ACCESSORIES

Model Number	Desc / Use With
AMF153TKA	TXV Kit, 2 - 3 TON
AMF355TKA	TXV Kit, 3 1/2 - 4 TON
AMA001TDA	TD1 - Indoor Blower Time Delay Kit, (All)