

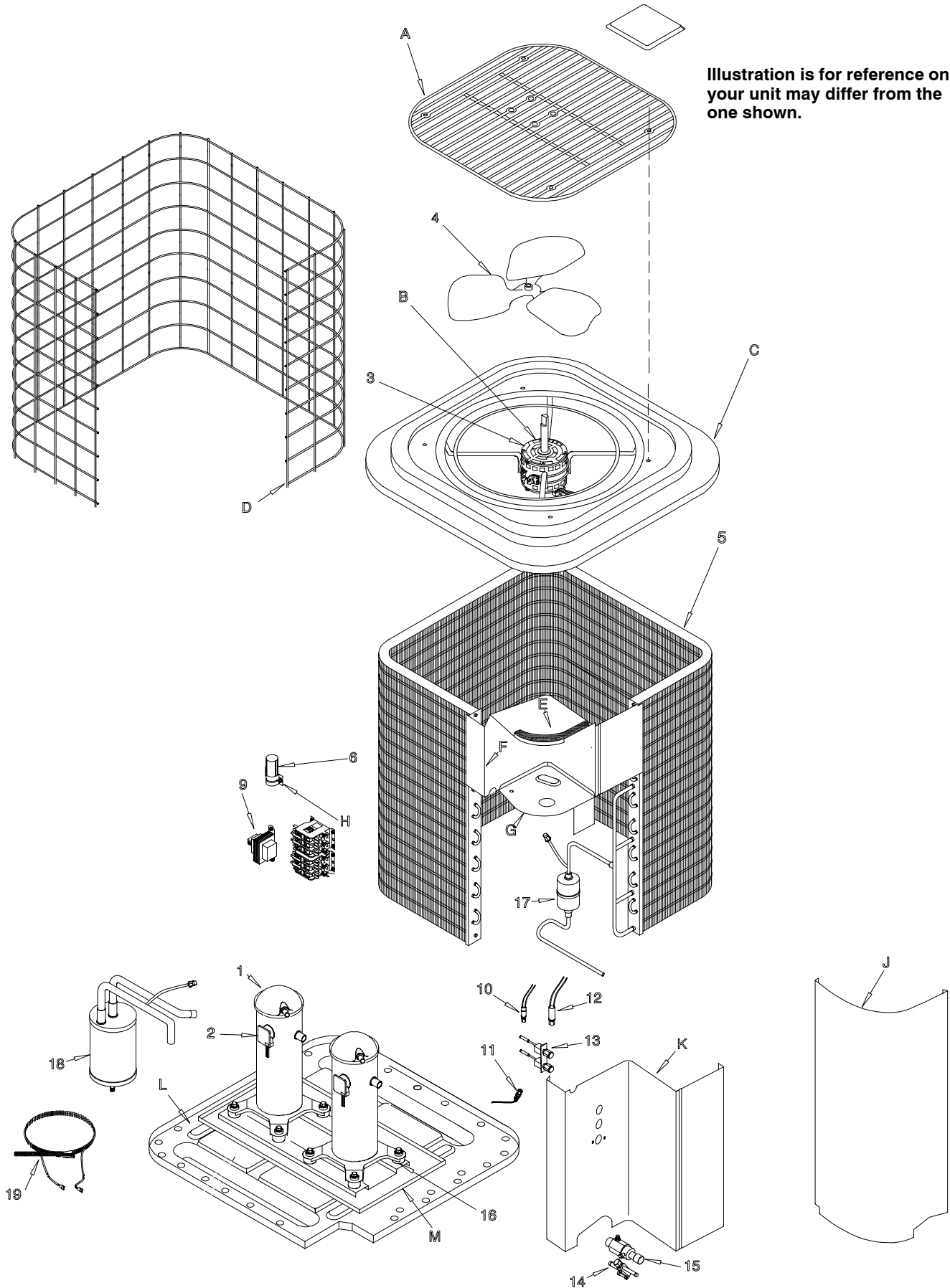
Parts List, Tech Labels & Wiring Diagrams for CAE090 Series

Model Numbers: CAE090HAA, CAE090GHAA, CAE090LAA, CAE090GLAA, CAE090SAA, CAE090GSAA

NO	DESCRIPTION	PART NUMBER	CAE090 HAA	CAE090 GHAA	CAE090 LAA	CAE090 GLAA	CAE090 SAA	CAE090 GSAA
1	Compressor, Tandem, Plug connection	ZRT92K3TF5131	1	1				
1	Compressor, Tandem, Plug connection	ZRT92K3TFD131	*	*	1	1		
1	Compressor, Tandem, Plug connection	ZRT92K3TFE131	*	*	*	*	1	1
2	Plug, Compressor Harness	1099497	1	1	1	1	1	1
2		1113140	1	1	1	1	1	1
3	Motor, Fan 1/230 Volt, 3/4 HP	1099697	1	1				
3	1/460 Volt, 3/4 HP	1099698	*	*	1	1		
3	1/575 Volt, 3/4 HP	1098103	*	*	*	*	1	1
4	Fan Blade	1085841	1	1	1	1	1	1
5	Coil, Condenser	1113106	1	1	1	1	1	1
6	Capacitor, 12.5 Mfd,370V	1094958	1	1	1	1		
6	10 Mfd,440V	1094966	*	*	*	*	1	1
8	Contact, 30 Amp, 3 Pole	1114066	1	1	1	1	1	1
8A	30 Amp, 3 Pole, with lugs	1114067	1	1	1	1	1	1
9	Transformer, 230 Volt Pri, 24 Volt Sec, 65 VA	1054637	1	1				
9	460/575 Volt Pri, 24 Volt Sec, 65 VA	1054638	*	*	1	1	1	1
10	Switch, High Pressure	1096251	1	1	1	1	1	1
11	Switch, Low Pressure	1096252	1	1	1	1	1	1
12	Switch, Low Ambient	1098775	1	1	1	1	1	1
13	Port Assembly	1113128	1	1	1	1	1	1
14	Valve, Ball, Service, Liquid	1113243	1	1	1	1	1	1
15	Valve, Ball, Service, Suction	1086808	1	1	1	1	1	1
)	Cap, Valve, Suction/ Liquid	1087042	2	2	2	2	2	2
16	Grommet, Compressor	79608	6	6	6	6	6	6
17	Drier	1071983	1	1	1	1	1	1
18	Accumulator	1071851	1	1	1	1	1	1
19	Heater, Crankcase 230 Volt, 70 Watt	1097444	2	2				
19	460 Volt, 70 Watt	1097486	*	*	2	2		
19	575 Volt, 70 Watt	1097487	*	*	*	*	2	2
A	Grille, Outlet	1086062	1	1	1	1	1	1
B	Mount, Fan Motor	1070016	1	1	1	1	1	1
C	Panel, Top	1086334	1	1	1	1	1	1
D	Grille, Inlet	1086333	1	*	1	*	1	*
D		1087187	*	1	*	1	*	1
E	Top, Control Box	1086045	1	1	1	1	1	1
F	Box, Control	1110541	1	1	1	1	1	1
G	Bottom, Control Box	1087990	1	1	1	1	1	1
H	Clamp, Capacitor	1095022	1	1	1	1	1	1
J	Cover, Control Box	1113134	1	1	1	1	1	1
K	Panel, Corner	1086350	1	1	1	1	1	1
L	Base	1086060	1	1	1	1	1	1
M	Plate, Base	1113108	1	1	1	1	1	1
)	Manual Parts List	501042101	1	1	1	1	1	1
)	Manual, Installation	501011901	1	1	1	1	1	1

Parts List, Tech Labels & Wiring Diagrams for CAE090 Series

Illustration is for reference only,
your unit may differ from the
one shown.



38-11-22

Parts List, Tech Labels & Wiring Diagrams for CAE090 Series

Model No. CAE090H / CAE090GH		Outdoor Ambient Temperature - Degrees F. Dry Bulb																			
		75				85				95				105				115			
		Entering Indoor Temperature - Degrees F. Wet Bulb																			
		59	63	67	71	59	63	67	71	59	63	67	71	59	63	67	71	59	63	67	71
Volt/Ph/Hz	230/3/60																				
Ampacity	35.4																				
Min. Fuse	40																				
Max. Fuse	45																				
Compressor #1																					
RLA	13.46																				
LRA	120																				
Compressor #2																					
RLA	13.46																				
LRA	120																				
Fan Motor																					
Voltage/Ph/Hz	230/1/60																				
H.P.	3/4																				
FLA	5.1																				
LRA	10.3																				
Cap. MFD/Volts	12.5/370																				
Hi Pressure	420-300																				
Lo Pressure	5-20																				
Low Ambient Actuation	250																				
Release	100																				
R-22, oz.	See Rating Plate																				
Line Size																					
Suction	1-1/8																				
Liquid	5/8																				
Weight	460 lbs.																				
		1110527																			

Model No. CAE090L / CAE090GL		Outdoor Ambient Temperature - Degrees F. Dry Bulb																			
		75				85				95				105				115			
		Entering Indoor Temperature - Degrees F. Wet Bulb																			
		59	63	67	71	59	63	67	71	59	63	67	71	59	63	67	71	59	63	67	71
Volt/Ph/Hz	460/3/60																				
Ampacity	19.2																				
Min. Fuse	25																				
Max. Fuse	25																				
Compressor #1																					
RLA	7.37																				
LRA	49.5																				
Compressor #2																					
RLA	7.37																				
LRA	49.5																				
Fan Motor																					
Voltage/Ph/Hz	460/1/60																				
H.P.	3/4																				
FLA	2.57																				
LRA	5.3																				
Cap. MFD/Volts	12.5/370																				
Hi Pressure	420-300																				
Lo Pressure	5-20																				
Low Ambient Actuation	250																				
Release	100																				
R-22, oz.	See Rating Plate																				
Line Size																					
Suction	1-1/8																				
Liquid	5/8																				
Weight	460 lbs.																				
		1110528																			

Parts List, Tech Labels & Wiring Diagrams for CAE090 Series

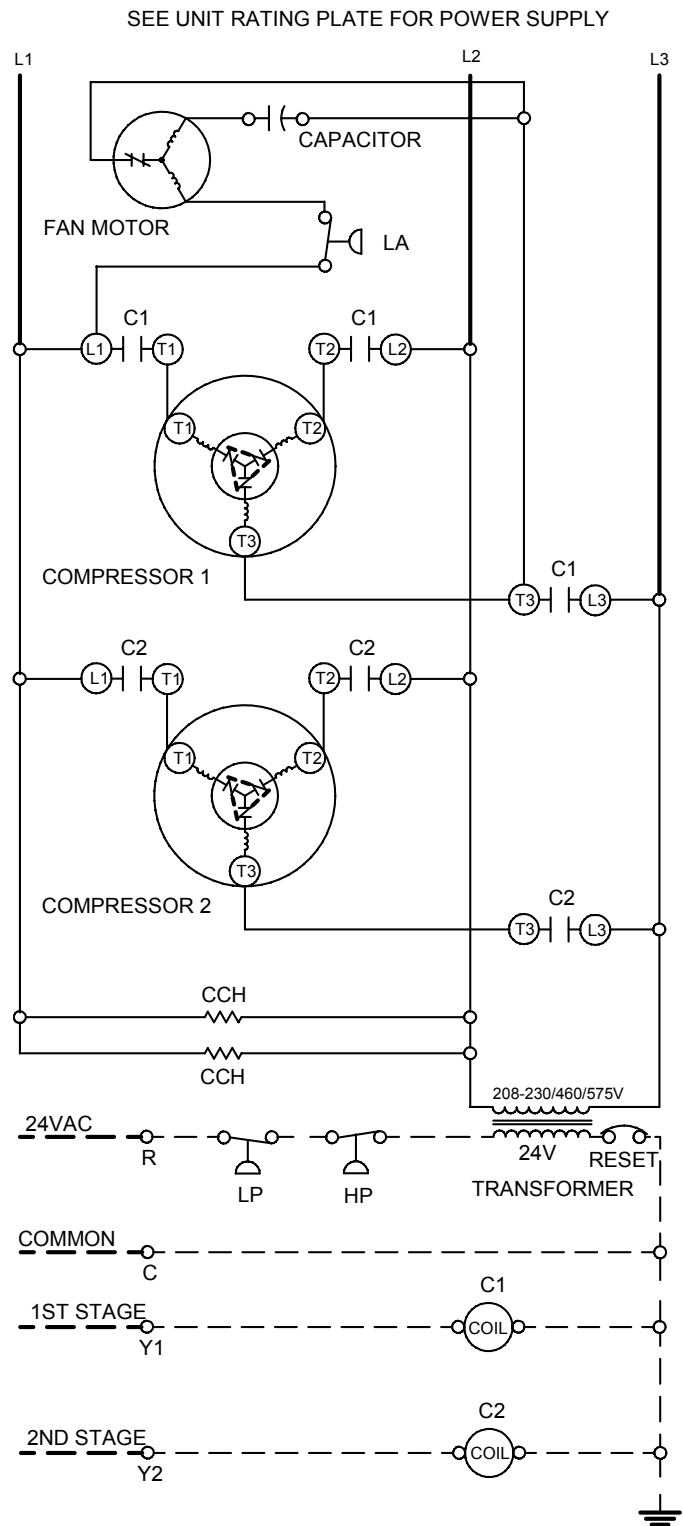
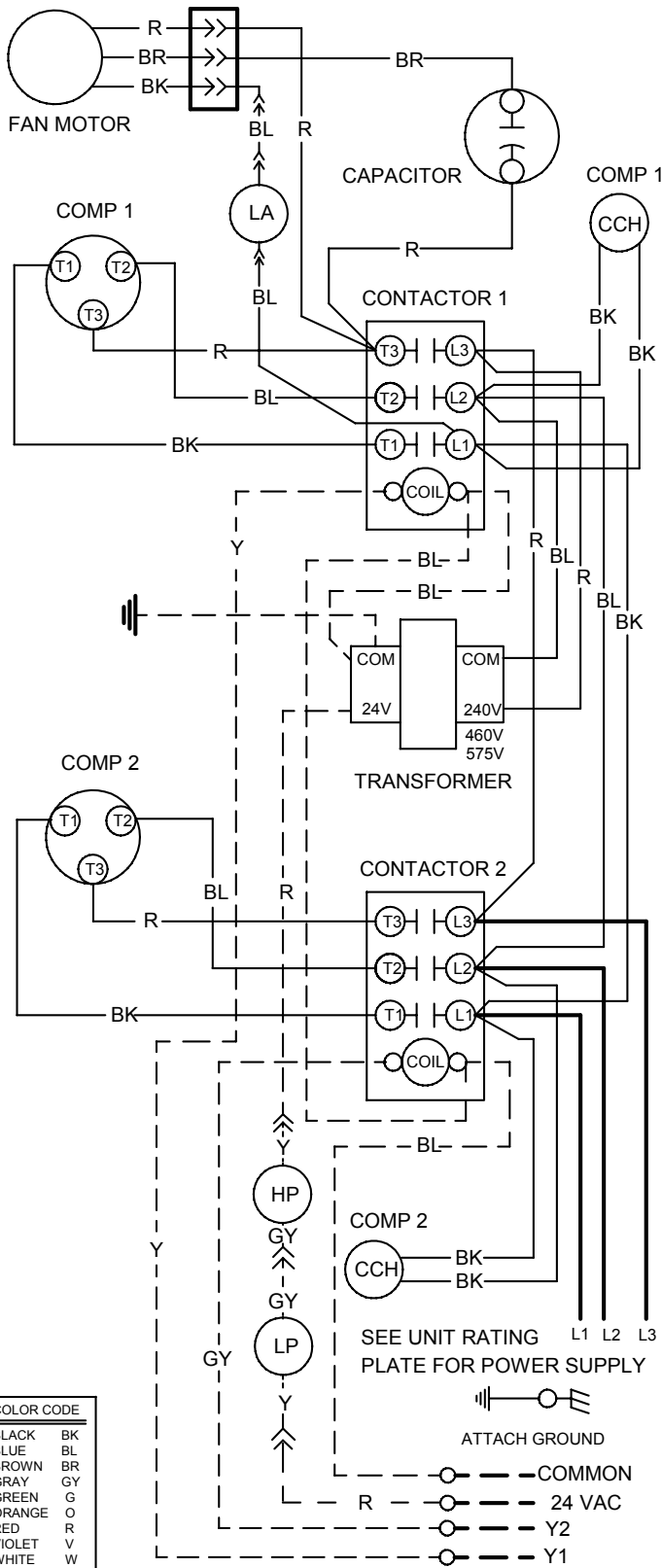
Model No. CAE090S / CAE090GS		Outdoor Ambient Temperature - Degrees F. Dry Bulb																															
		75				85				95				105				115															
		Entering Indoor Temperature - Degrees F. Wet Bulb																															
		59				63				67				71				59				63				67				71			
		59				63				67				71				59				63				67				71			
Voltage/Ph/Hz	575/3/60	1st Stage IDB	MBh		87.2	90.3	99.0	-	85.1	88.2	96.6	-	83.0	86.0	94.3	-	78.9	81.7	89.6	-	73.1	75.7	83.0	-									
Ampacity	14.2		S/T		0.69	0.58	0.40	-	0.71	0.60	0.41	-	0.74	0.61	0.43	-	0.76	0.64	0.44	-	0.77	0.64	0.45	-									
Min. Fuse	20		AMPS		9.1	9.3	9.6	-	9.9	10.1	10.5	-	10.6	10.9	11.2	-	11.3	11.6	12.0	-	12.0	12.3	12.7	-									
Max. Fuse	20		HI PR		160	173	182	-	182	196	207	-	208	224	236	-	234	252	266	-	258	278	294	-									
Compressor #1		70	LOPR		58	62	67	-	60	64	70	-	63	67	74	-	66	71	77	-	69	73	80	-									
RLA	5.77		MBh		88.6	91.3	98.8	106.0	86.5	89.1	96.4	103.5	84.4	86.9	94.1	101.0	80.2	82.6	89.4	95.9	74.3	76.5	82.8	88.9									
LRA	40		S/T		0.79	0.71	0.53	0.34	0.81	0.72	0.55	0.35	0.84	0.75	0.57	0.36	0.87	0.78	0.59	0.38	0.88	0.78	0.59	0.38									
Compressor #2			AMPS		9.2	9.4	9.7	10.1	10.0	10.2	10.6	11.0	10.7	11.0	11.3	11.8	11.4	11.7	12.1	12.6	12.1	12.4	12.8	13.3									
RLA	5.77	75	HI PR		162	174	184	192	184	198	209	218	210	226	239	249	236	254	268	280	261	281	297	309									
LRA	40		LOPR		59	62	68	72	61	65	71	75	64	68	74	79	67	71	78	83	69	74	80	86									
Fan Motor			MBh		90.2	92.2	98.5	105.3	88.1	90.0	96.1	102.8	85.9	87.8	93.8	100.3	81.6	83.4	89.1	95.3	75.6	77.3	82.5	88.2									
Voltage/Ph/Hz	575/1/60		S/T		0.87	0.81	0.66	0.49	0.89	0.83	0.68	0.51	0.92	0.86	0.70	0.52	0.95	0.89	0.73	0.54	0.96	0.90	0.73	0.55									
H.P..	3/4	80	AMPS		9.2	9.5	9.8	10.2	10.1	10.3	10.7	11.1	10.8	11.1	11.4	11.9	11.5	11.8	12.2	12.7	12.2	12.5	12.9	13.5									
FLA	1.2		HI PR		164	176	186	194	186	200	212	221	212	228	241	251	239	257	271	283	264	284	300	312									
LRA	3.9		LOPR		59	63	69	73	61	65	71	76	65	69	75	80	68	72	79	84	70	74	81	87									
Cap. MFD/Volts	10/440		MBh		91.8	93.6	98.0	104.5	89.6	91.3	95.7	102.1	87.4	89.1	93.3	99.6	83.1	84.7	88.7	94.6	76.9	78.4	82.1	87.6									
Hi Pressure	420-300	85	S/T		0.91	0.88	0.79	0.64	0.93	0.90	0.81	0.66	0.96	0.93	0.84	0.68	1.00	0.96	0.87	0.70	1.00	0.97	0.88	0.71									
Lo Pressure	5-20		AMPS		9.3	9.6	9.9	10.3	10.2	10.4	10.8	11.2	10.9	11.2	11.5	12.0	11.6	11.9	12.3	12.8	12.3	12.6	13.1	13.6									
Low Ambient Actuation	250		HI PR		165	178	188	196	188	202	214	223	214	231	243	254	241	259	274	286	266	287	303	316									
Release	100		LOPR		60	64	69	74	62	66	72	77	65	69	76	81	68	73	79	85	71	75	82	87									
R-22, oz. See Rating Plate																																	
Line Size Suction	1-1/8																																
Liquid	5/8																																
Weight	460 lbs.																			1110529													

Parts List, Tech Labels & Wiring Diagrams for CAE090 Series

CONNECTION DIAGRAM

DANGER : ELECTRICAL SHOCK HAZARD
DISCONNECT POWER BEFORE SERVICING

LADDER DIAGRAM



COMPRESSOR IS PROTECTED UNDER PRIMARY SINGLE PHASING CONDITIONS.

1110526