

# INSTALLATION INSTRUCTIONS

## Accessory Hail Guard

DALVHLGD007A00, DALVHLGD008A00, DALVHLGD009A00

### 15 and 20 Ton Split Cooling Unit 15 and 20 Ton Split Heat Pump Unit


**IMPORTANT:** Read these instructions completely before attempting to install the accessory hail guard.

#### SAFETY CONSIDERATIONS

Installation and servicing of air-conditioning equipment can be hazardous due to system pressure and electrical components. Only trained and qualified service personnel should install, repair, or service air-conditioning equipment.

Untrained personnel can perform the basic maintenance functions. All other operations should be performed by trained service personnel. When working on air-conditioning equipment, observe precautions in the literature, tags and labels attached to the unit, and other safety precautions that may apply.

Follow all safety codes. Wear safety glasses and work gloves.

Recognize safety information. This is the safety-alert symbol . When you see this symbol on the unit and in instructions or manuals, be alert to the potential for personal injury.

Understand the signal words DANGER, WARNING, and CAUTION. These words are used with the safety-alert symbol. DANGER identifies the most serious hazards which **will** result in severe personal injury or death. WARNING signifies a hazard which **could** result in personal injury or death. CAUTION is used to identify unsafe practices which **may** result in minor personal injury or product and property damage. NOTE is used to highlight suggestions which **will** result in enhanced installation, reliability, or operation.

### WARNING

#### ELECTRICAL SHOCK HAZARD

Failure to follow this warning could cause personal injury or death.

Before beginning any modification on unit, always turn off main power switch to unit and install lockout tag. Unit may have more than one power switch.

### CAUTION

#### CUT HAZARD

Failure to follow this caution may result in personal injury. Sheet metal parts may have sharp edges or burrs. Use care and wear appropriate protective clothing, safety glasses and gloves when handling parts and servicing units.

#### PACKAGE USAGE

MODEL USAGE		
MODEL NO.	TONS	HAIL GUARD PKG PART NO.
<b>COOLING</b>		
CAS180 CAS181	15	DALVHLGD007A00
CAS240 CAS241	20	DALVHLGD009A00
<b>HEAT PUMP</b>		
CHS180 CHS181	15	DALVHLGD008A00
CHS240 CHS241	20	DALVHLGD009A00

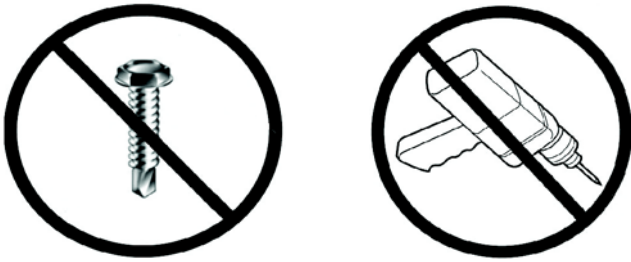
#### PACKAGE CONTENTS AND PANEL USE LOCATION

HAIL GUARD PKG PART NO.	PACKAGE CONTENTS	PANEL USE LOCATION
DALVHLGD007A00	(5) Hail Guards:	----
	(1) – 44.9 x 19.2	LEFT SIDE
	(1) – 44.9 x 35.2	FRONT
	(1) – 44.9 x 41.3	BACK
	(1) – 44.9 x 41.3	BACK
	(1) – 44.9 x 41.3	RIGHT SIDE
	(12) #10 x 1/2 Screws	----
DALVHLGD008A00	(5) Hail Guards:	----
	(1) – 44.9 x 11.9	LEFT SIDE
	(1) – 44.9 x 27.5	FRONT
	(1) – 44.9 x 41.3	BACK
	(1) – 44.9 x 41.3	BACK
	(1) – 44.9 x 41.3	RIGHT SIDE
	(12) #10 x 1/2 Screws	----
DALVHLGD009A00	(4) Hail Guards:	----
	(1) – 44.9 x 20.6	FRONT
	(1) – 44.9 x 48.3	BACK
	(1) – 44.9 x 62.2	RIGHT SIDE
	(1) – 44.9 x 34.1	LEFT SIDE
	(10) #10 x 1/2 Screws	----

#### GENERAL

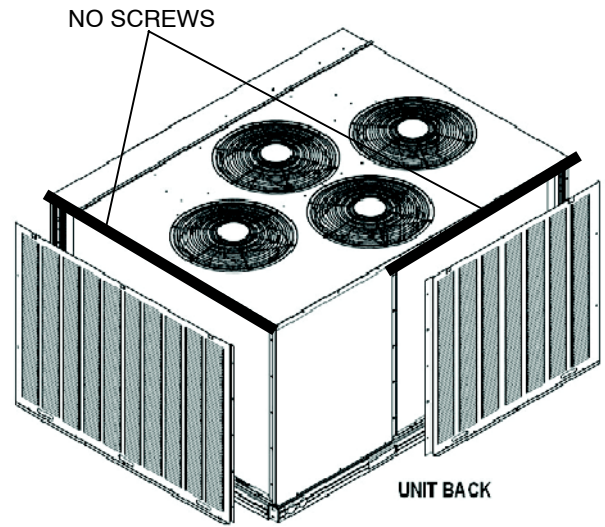
Louvered hail guard packages are designed to protect the unit condenser coil from hail and general contact damage. Excessive damage to unit outdoor coils can result in diminished performance due to reduced air flow over the heat transfer surfaces.

**IMPORTANT:** Never drill or use screws through the top cover to secure hail guards. Coil damage could occur. (See Fig. 1-4.)



### INSTALLATION

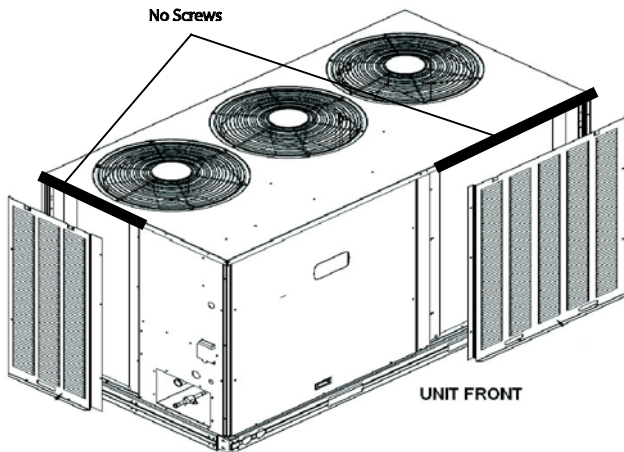
1. Verify the correct hail guard sizes are provided for the desired unit size. See Package Usage section.
2. Hold each hail guard panel in place and remove the screws at the base of the outdoor coil that line up with each of the hail guard panel holes to be installed. Save the screws.
3. Align the hail guard panel with the respective section of the outdoor coil and engage top notch in each panel to top cover flange as shown in Fig. 4.
4. Install screws that were removed in Step 2 through panel and into basepan.
5. Repeat Steps 2 - 4 for each panel to be installed.



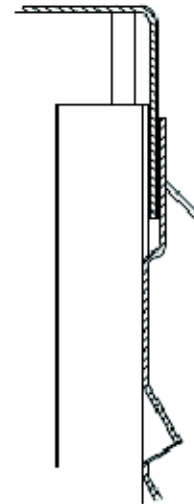
**Fig. 3 - 20 Ton Hail Guard Installation  
(Back and Side Panels)**

C10351

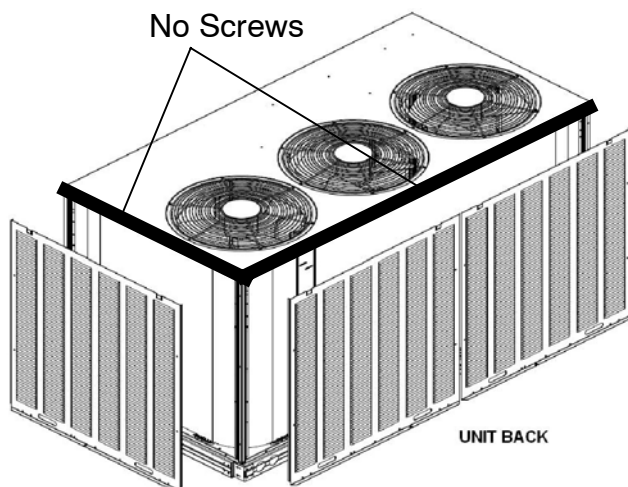
**IMPORTANT:** Never drill or use screws through the top cover to secure hail guards. Coil damage could occur.



**Fig. 1 - 15/20 Ton Hail Guard Installation  
(15 Ton Shown - Front and Side Panels)**



**Fig. 4 - Hail Guard into Top Cover  
(Use No Screws)**



**Fig. 2 - 15 Ton Hail Guard Installation  
(Back and Side Panels)**