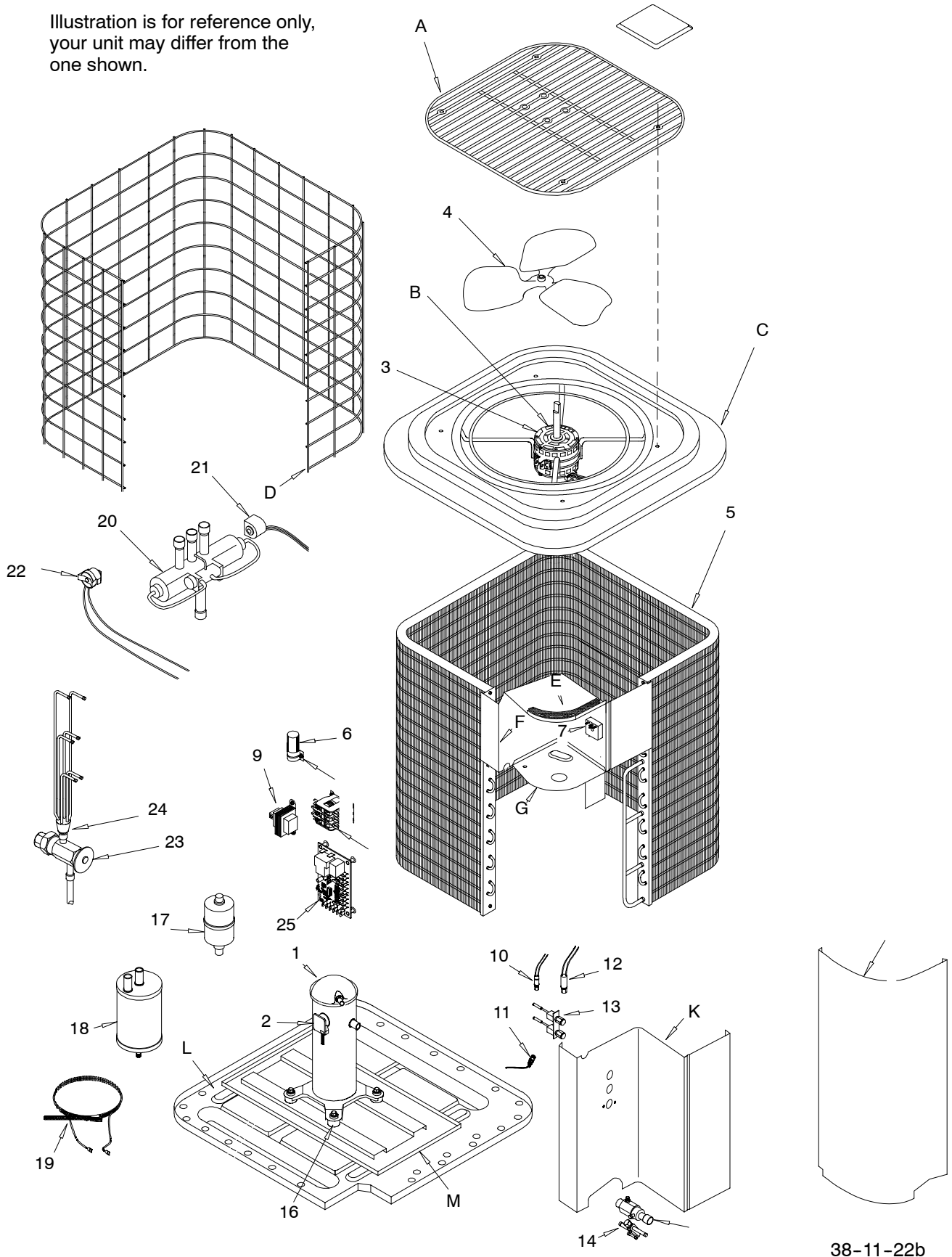


Parts List, Tech Labels & Wiring Diagrams for CHE075 & HCE075 Series

KEY NO.	DESCRIPTION	PART NUMBER	CHE075HAA	HCE075HAA	CHE075GHAA	HCE075GHAA	CHE075LAA	HCE075LAA	CHE075GLAA	HCE075GLAA	CHE075SAA	HCE075SAA	CHE075GSAA	HCE075GSAA
1	Compressor, Plug connection	SRY752AC01	1	1										
1	Compressor, Plug connection	SRH752AC01	*	*	1	1								
1	Compressor, Plug connection	SRJ752AC01	*	*	*	*					1	1		
2	Plug, Compressor Harness	1113587	1	1										
2	Plug, Compressor Harness	1113588	*	*	1	1					1	1		
3	Motor, Fan 1/230 Volt, 3/4 HP	1099697	1	1										
3	1/460 Volt, 3/4 HP	1099698	*	*	1	1								
3	1/575 Volt, 3/4 HP	1098103	*	*	*	*					1	1		
4	Fan Blade	1085841	1	1	1	1					1	1		
5	Coil, Condenser	1113790	1	1	1	1					1	1		
6	Capacitor, 12.5 Mfd,370V	1094958	1	1	1	1								
6	10 Mfd,440V	1094966	*	*	*	*					1	1		
7	Relay, SPDT	92840	1	1	1	1					1	1		
8	Contact, 30 Amp, 3 Pole, with lugs	1114066	1	1	1	1					1	1		
9	Transformer, 230 Volt Pri, 24 Volt Sec, 65	1054637	1	1										
9	460/575 Volt Pri, 24 Volt Sec, 65	1054638	*	*	1	1					1	1		
10	Switch, High Pressure	1096251	1	1	1	1					1	1		
11	Switch, Low Pressure	1096252	1	1	1	1					1	1		
12	Switch, Low Ambient	1098775	1	1	1	1					1	1		
13	Port Assembly	1098776	1	1	1	1					1	1		
14	Valve, Ball, Service, Liquid	1113243	1	1	1	1					1	1		
15	Valve, Ball, Service, Suction	1086808	1	1	1	1					1	1		
)(Cap, Valve, Suction & Liquid	1087042	2	2	2	2					2	2		
16	Grommet, Compressor	1052060	4	4	4	4					4	4		
17	Drier	1072553	1	1	1	1					1	1		
18	Accumulator	1110686	1	1	1	1					1	1		
19	Heater, Crankcase 230 Volt, 70 Watt	1097444	1	1										
19	460 Volt, 70 Watt	1097486	*	*	1	1								
19	575 Volt, 70 Watt	1097487	*	*	*	*					1	1		
20	Valve, Reversing	1114005	1	1	1	1					1	1		
21	Coil, Reversing Valve	34329055	1	1	1	1					1	1		
22	Sensor, Defrost	1082738	1	1	1	1					1	1		
23	Valve, TXV	1113784	1	1	1	1					1	1		
24	Distributor	1113785	1	1	1	1					1	1		
25	Control, Defrost	1069364	1	1	1	1					1	1		
A	Grille, Outlet	1086062	1	1	1	1					1	1		
B	Mount, Fan Motor	1070016	1	1	1	1					1	1		
C	Panel, Top	1086334	1	1	1	1					1	1		
D	Grille, Inlet	1086290	1	*	1	*					1	*		
D		1087186	*	1	*	1					*	1		
E	Top, Control Box	1086045	1	1	1	1					1	1		
F	Box, Control	1113648	1	1										
F		1113677	*	*	1	1					1	1		
G	Bottom, Control Box	1087990	1	1	1	1					1	1		
H	Clamp, Capacitor	1095022	1	1	1	1					1	1		
J	Cover, Control Box	1113679	1	1	1	1					1	1		
K	Panel, Corner	1086348	1	1	1	1					1	1		
L	Base	1086060	1	1	1	1					1	1		
M	Plate, Base	1113108	1	1	1	1					1	1		
)(Tank, Compensator	1110687	1	1	1	1					1	1		

Parts List, Tech Labels & Wiring Diagrams for CHE075 & HCE075 Series

Illustration is for reference only,
your unit may differ from the
one shown.



38-11-22b

Parts List, Tech Labels & Wiring Diagrams for CHE075 & HCE075 Series

Style No:	CHE075H/HCE075H		Outdoor Ambient Temperature - Degrees F. Dry Bulb																			
			75				85				95				105				115			
			Entering Indoor Temperature - Degrees F. Wet Bulb																			
IDB		59	63	67	71	59	63	67	71	59	63	67	71	59	63	67	71	59	63	67	71	
Voltage-Ph	208/230																					
Total Amp	24																					
Ampacity	28.7																					
Min. Fuse	35																					
Delay Fuse	35																					
Max. Fuse	45																					
Compressor	Scroll	MBh	70.8	72.9	78.9	84.7	69.1	71.1	77.0	82.6	67.4	69.4	75.1	80.6	64.0	65.9	71.4	76.6	59.3	61.1	66.1	71.0
		S/T	0.8	0.8	0.6	0.4	0.9	0.8	0.6	0.4	0.9	0.8	0.6	0.4	0.9	0.8	0.6	0.4	0.9	0.8	0.6	0.4
		AMPS	17.4	17.5	18.3	19.0	18.8	19.2	19.8	20.5	20.0	20.5	21.1	21.9	21.2	21.7	22.4	23.2	22.4	22.9	23.7	24.5
		HI PR	155.4	167.2	176.5	184.1	176.7	190.1	200.8	209.4	201.2	216.6	228.7	238.5	226.4	243.6	257.3	268.3	250.2	269.2	284.3	296.5
RLA	18.9	LO PR	58.6	62.3	68.0	72.4	60.9	64.7	70.7	75.3	63.9	68.0	74.3	79.1	67.0	71.3	77.8	82.9	69.3	73.7	80.5	85.7
LRA	146	MBh	72.0	73.6	78.6	84.1	70.3	71.9	76.8	82.1	68.6	70.1	74.9	80.1	65.2	66.6	71.2	76.1	60.4	61.7	65.9	70.5
Cap MFD/V	n/a	S/T	0.9	0.9	0.7	0.5	1.0	0.9	0.7	0.5	1.0	0.9	0.8	0.6	1.0	1.0	0.8	0.6	1.0	1.0	0.8	0.6
CC Heater	n/a	AMPS	17.6	18.0	18.5	19.2	19.0	19.4	20.0	20.7	20.2	20.7	21.3	22.1	21.4	21.9	22.6	23.4	22.6	23.1	23.9	24.7
Start Kit	n/a	HI PR	156.9	168.9	178.3	186.0	178.5	192.1	202.8	211.5	203.3	218.8	231.0	240.9	228.7	246.1	259.9	271.0	252.7	271.9	287.1	299.5
Fan Motor	V230-Ph1	LO PR	59.2	62.9	68.7	73.2	61.5	65.4	71.4	76.0	64.6	68.7	75.0	79.9	67.7	72.0	78.6	83.7	70.0	74.5	81.3	86.6
		MBh	73.3	74.7	78.3	83.5	71.6	72.9	76.4	81.5	69.8	71.2	74.5	79.5	66.3	67.6	70.8	75.5	61.4	62.6	65.6	70.0
		S/T	1.0	0.9	0.8	0.7	1.0	1.0	0.9	0.7	1.0	1.0	0.9	0.7	1.0	1.0	0.9	0.8	1.0	1.0	0.9	0.8
		AMPS	17.7	18.1	18.7	19.3	19.1	19.6	20.2	20.9	20.4	20.8	21.5	22.3	21.6	22.1	22.8	23.6	22.8	23.3	24.1	25.0
Horsepower	3/4	HI PR	158.5	170.6	180.1	187.9	180.3	194.0	204.8	213.7	205.3	220.9	233.3	243.3	231.0	248.6	262.5	273.8	255.2	274.6	290.0	302.5
FLA	5.1	LO PR	59.7	63.6	69.4	73.9	62.1	66.1	72.1	76.8	65.2	69.4	75.8	80.7	68.4	72.7	79.4	84.5	70.7	75.2	82.1	87.5
LRA	10.3																					
RPM	1100																					
Cap MFD/V	12.5/370																					
PTCR	n/a																					
Hi Press	420-300																					
Low Press	20 - 5																					
Low Amb	250-100																					
Defrost	36 - 51																					
Sensor																						
Operating Chg (25 Ft Line)*	See Rating Plate																					
Service Driers																						
Liquid/Chg	5Culn/5oz																					
Suction	17SqIn																					

Calculated averaged performance data, for service applications for all matches. Part No: 1110724

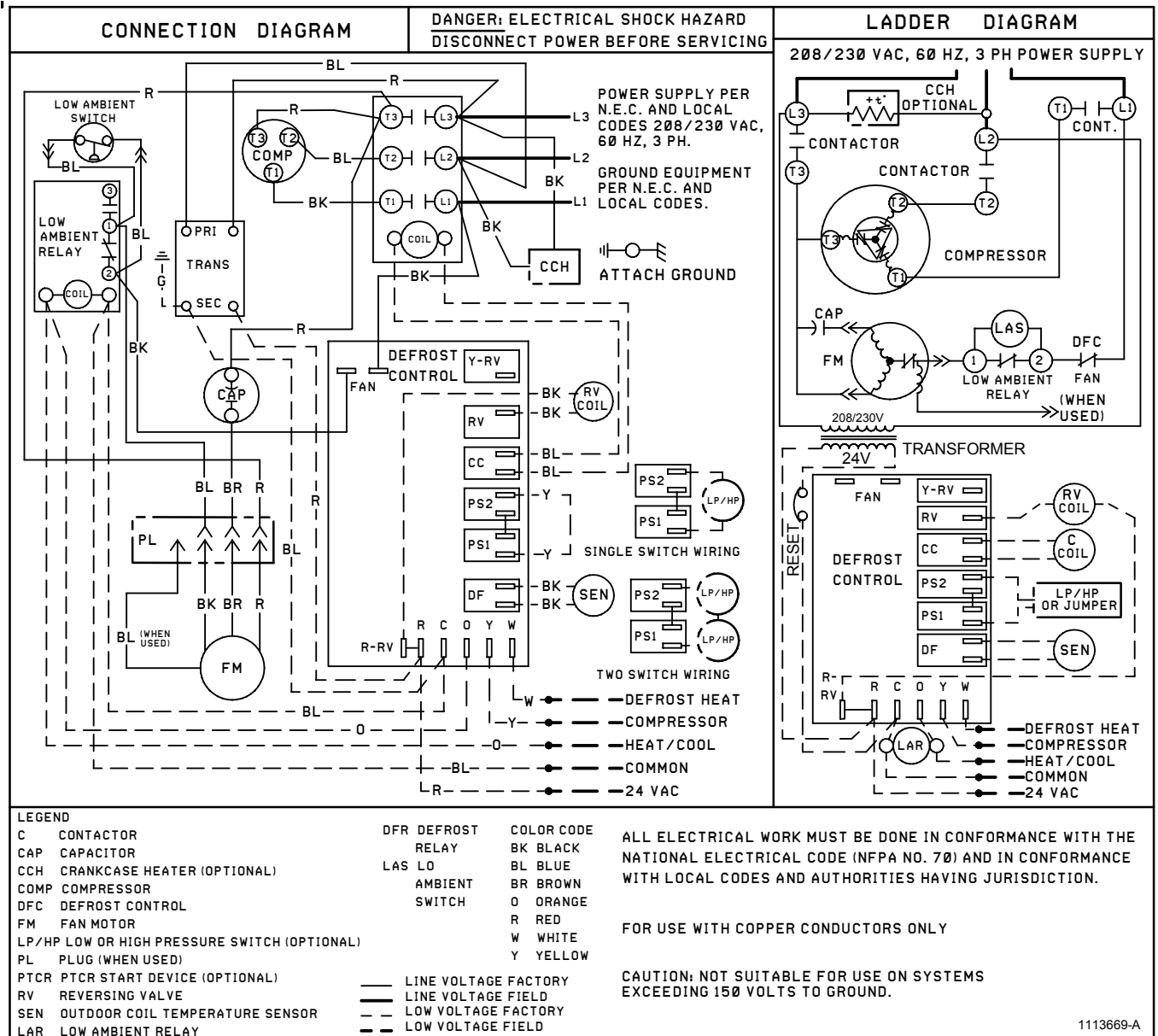
*Add or Subtract (Oz per Ft) for Lines: .25oz -1/4 Liq, .45oz- 5/16 Liq, .60oz- 3/8 Liq, 1.2 oz - 1/2 Liq

Style No:	CHE075L/HCE075L		Outdoor Ambient Temperature - Degrees F. Dry Bulb																			
			75				85				95				105				115			
			Entering Indoor Temperature - Degrees F. Wet Bulb																			
IDB		59	63	67	71	59	63	67	71	59	63	67	71	59	63	67	71	59	63	67	71	
Voltage-Ph	460-3																					
Total Amp	12.1																					
Ampacity	14.5																					
Min. Fuse	20																					
Delay Fuse	20																					
Max. Fuse	20																					
Compressor	Scroll	MBh	70.8	72.9	78.9	84.7	69.1	71.1	77.0	82.6	67.4	69.4	75.1	80.6	64.0	65.9	71.4	76.6	59.3	61.1	66.1	71.0
		S/T	0.8	0.8	0.6	0.4	0.9	0.8	0.6	0.4	0.9	0.8	0.6	0.4	0.9	0.8	0.6	0.4	0.9	0.8	0.6	0.4
		AMPS	15.4	16.2	17.5	18.4	17.6	19.0	20.0	20.9	20.1	21.6	22.8	23.8	22.6	24.3	25.7	26.8	25.0	26.9	28.4	29.6
		HI PR	155.4	167.2	176.5	184.1	176.7	190.1	200.8	209.4	201.2	216.6	228.7	238.5	226.4	243.6	257.3	268.3	250.2	269.2	284.3	296.5
RLA	9.49	LO PR	58.6	62.3	68.0	72.4	60.9	64.7	70.7	75.3	63.9	68.0	74.3	79.1	67.0	71.3	77.8	82.9	69.3	73.7	80.5	85.7
LRA	73	MBh	72.0	73.6	78.6	84.1	70.3	71.9	76.8	82.1	68.6	70.1	74.9	80.1	65.2	66.6	71.2	76.1	60.4	61.7	65.9	70.5
Cap MFD/V	n/a	S/T	0.9	0.9	0.7	0.5	1.0	0.9	0.7	0.5	1.0	0.9	0.8	0.6	1.0	1.0	0.8	0.6	1.0	1.0	0.8	0.6
CC Heater	n/a	AMPS	8.8	9.0	9.3	9.6	9.5	9.7	10.0	10.4	10.1	10.4	10.7	11.1	10.8	11.0	11.4	11.8	11.4	11.6	12.0	12.4
Start Kit	n/a	HI PR	156.9	168.9	178.3	186.0	178.5	192.1	202.8	211.5	203.3	218.8	231.0	240.9	228.7	246.1	259.9	271.0	252.7	271.9	287.1	299.5
Fan Motor	V460-Ph1	LO PR	59.2	62.9	68.7	73.2	61.5	65.4	71.4	76.0	64.6	68.7	75.0	79.9	67.7	72.0	78.6	83.7	70.0	74.5	81.3	86.6
		MBh	73.3	74.7	78.3	83.5	71.6	72.9	76.4	81.5	69.8	71.2	74.5	79.5	66.3	67.6	70.8	75.5	61.4	62.6	65.6	70.0
		S/T	1.0	0.9	0.8	0.7	1.0	1.0	0.9	0.7	1.0	1.0	0.9	0.7	1.0	1.0	0.9	0.8	1.0	1.0	0.9	0.8
		AMPS	8.9	9.1	9.4	9.7	9.6	9.8	10.1	10.5	10.2	10.5	10.8	11.2	10.8	11.1	11.5	11.9	11.5	11.7	12.1	12.5
Horsepower	3/4	HI PR	158.5	170.6	180.1	187.9	180.3	194.0	204.8	213.7	205.3	220.9	233.3	243.3	231.0	248.6	262.5	273.8	255.2	274.6	290.0	302.5
FLA	2.6	LO PR	59.7	63.6	69.4	73.9	62.1	66.1	72.1	76.8	65.2	69.4	75.8	80.7	68.4	72.7	79.4	84.5	70.7	75.2	82.1	87.5
LRA	5.33																					
RPM	1100																					
Cap MFD/V	12.5/370																					
PTCR	n/a																					
Hi Press	420-300																					
Low Press	20 - 5																					
Low Amb	250-100																					
Defrost	36 - 41																					
Sensor																						
Operating Chg (25 Ft Line)*	See Rating Plate																					
Service Driers																						
Liquid/Chg	5Culn/5oz																					
Suction	17SqIn																					

Calculated averaged performance data, for service applications for all matches. Part No: 1110725

*Add or Subtract (Oz per Ft) for Lines: .25oz -1/4 Liq, .45oz- 5/16 Liq, .60oz- 3/8 Liq, 1.2 oz - 1/2 Liq

Parts List, Tech Labels & Wiring Diagrams for CHE075 & HCE075 Series 208/230 Volt Models



Parts List, Tech Labels & Wiring Diagrams for CHE075 & HCE075 Series

460 & 575 Volt Models

