

# ***Parts List***

***Tech Labels  
Wiring Diagrams***

## **Models**

**Three Phase**

**PHB090N2LC  
PHB120N2LC**

**RYMA75F001C  
RYMA10F001C**

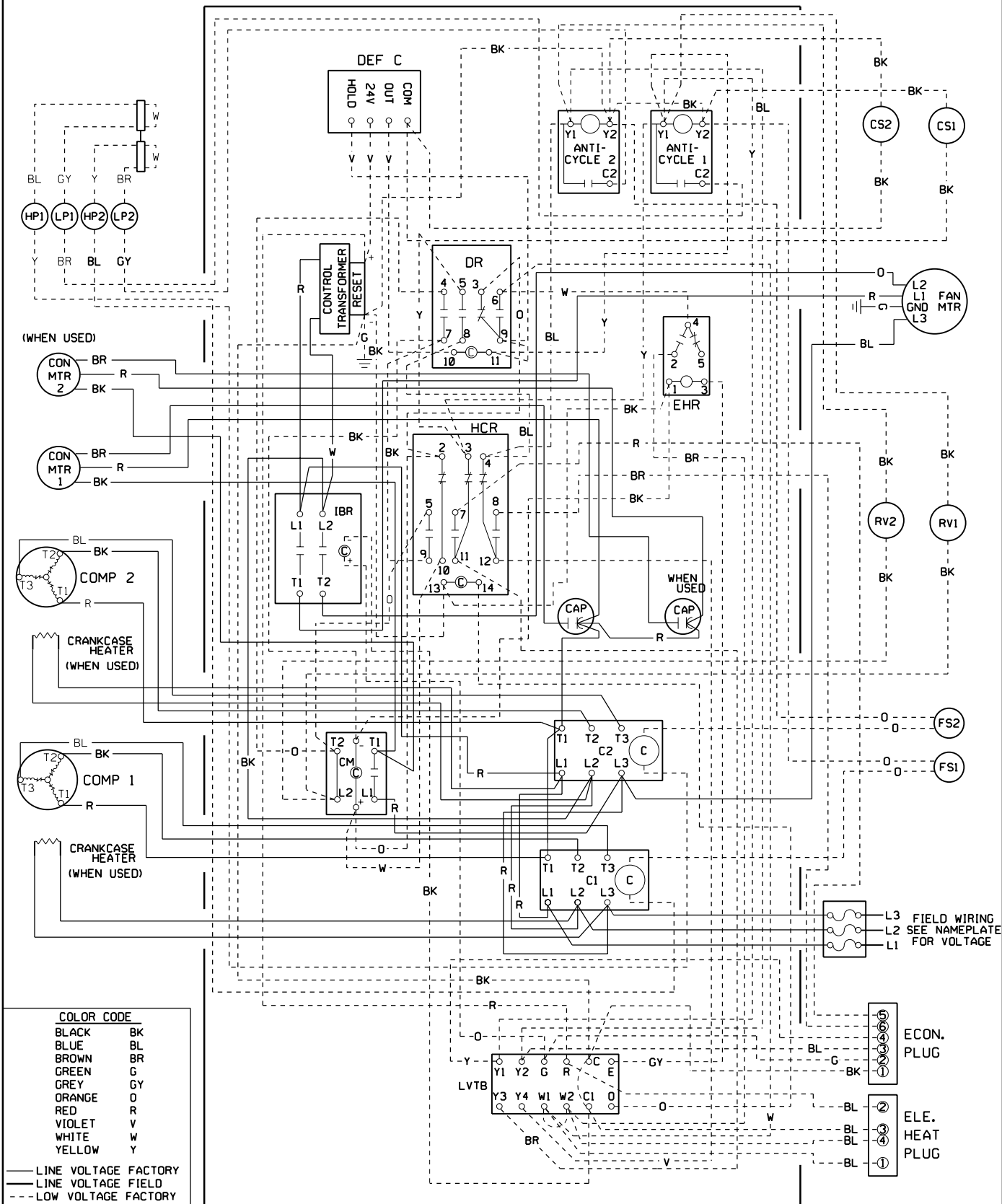
# **Commercial Package Air Conditioner**

**Save This Manual For Future Reference**



# CONNECTION WIRING DIAGRAM

**DANGER: ELECTRICAL SHOCK HAZARD  
DISCONNECT POWER BEFORE SERVICING**



COLOR CODE	
BLACK	BK
BLUE	BL
BROWN	BR
GREEN	G
GREY	GY
ORANGE	O
RED	R
VIOLET	V
WHITE	W
YELLOW	Y

— LINE VOLTAGE FACTORY  
 — LINE VOLTAGE FIELD  
 - - - LOW VOLTAGE FACTORY  
 - - - LOW VOLTAGE FIELD

1072272-A

SEE INSTALLATION INSTRUCTIONS FOR PROPER HEATING AND COOLING CONNECTIONS FOR YOUR UNIT.

**FUNCTIONAL PARTS LIST, MODELS: PHB090N2LC, PHB120N2LC, RYMA75F001C, RYMA10F001C**

	Description	Part Number	090/ 75F	120/ 10F
1	Compressor, CR42K6TFD	24372608	2	
1	ZR61K3TFD	1082287	*	2
2	Motor, Condenser	1070466	1	2
3	Fan Blade	1080797	1	
3		1080799	*	2
4	Coil, Evaporator	1072415	1	
4		1072416	*	1
5	Valve, Expansion (Evaporator)	1072237	2	
5		1072236	*	2
6	Distributor Asy (Evaporator)	1072310	1	
6		1072312	*	1
7	Distributor Asy (Evaporator)	1072309	1	
7		1072311	*	1
8	Manifold Asy (Evaporator)	1072269	1	
8		1072252	*	1
9	Manifold Asy (Evaporator)	1072268	1	
9		1072251	*	1
10	Filter, Air (20" x 25" x 2")	85953	4	4
11	Pan, Drain	1071339	1	1
12	Pan, Drain Asy	1071801	1	1
12	(Includes No. 11 & SS)			
13	Hose, Drain	1071345	1	1
14	Grommet, Compressor Mounting	1053188	8	
15	Bolt, Compressor Mounting	1057967	8	8
16	Drier, Filter	1072235	2	2
17	Manifold Asy (Condenser)	1072253	1	1
18	Manifold Asy (Condenser)	1072254	1	1
19	Switch, High Pressure	1071749	2	2
20	Coil, Condenser	1095398	1	1
21	Switch, Low Pressure	1071713	2	2
24	Switch, Freeze Stat.	1071790	2	2
25	Port Asy	1072323	1	
26	Port Asy	1072315	1	2
27	Lug, Ground	500920	2	2
28	Block, Fuse	1071621	1	
28		1071622	*	1
29	Fuse	91750	3	
29		92566	*	3
30	Motor, Blower	1070644	1	1

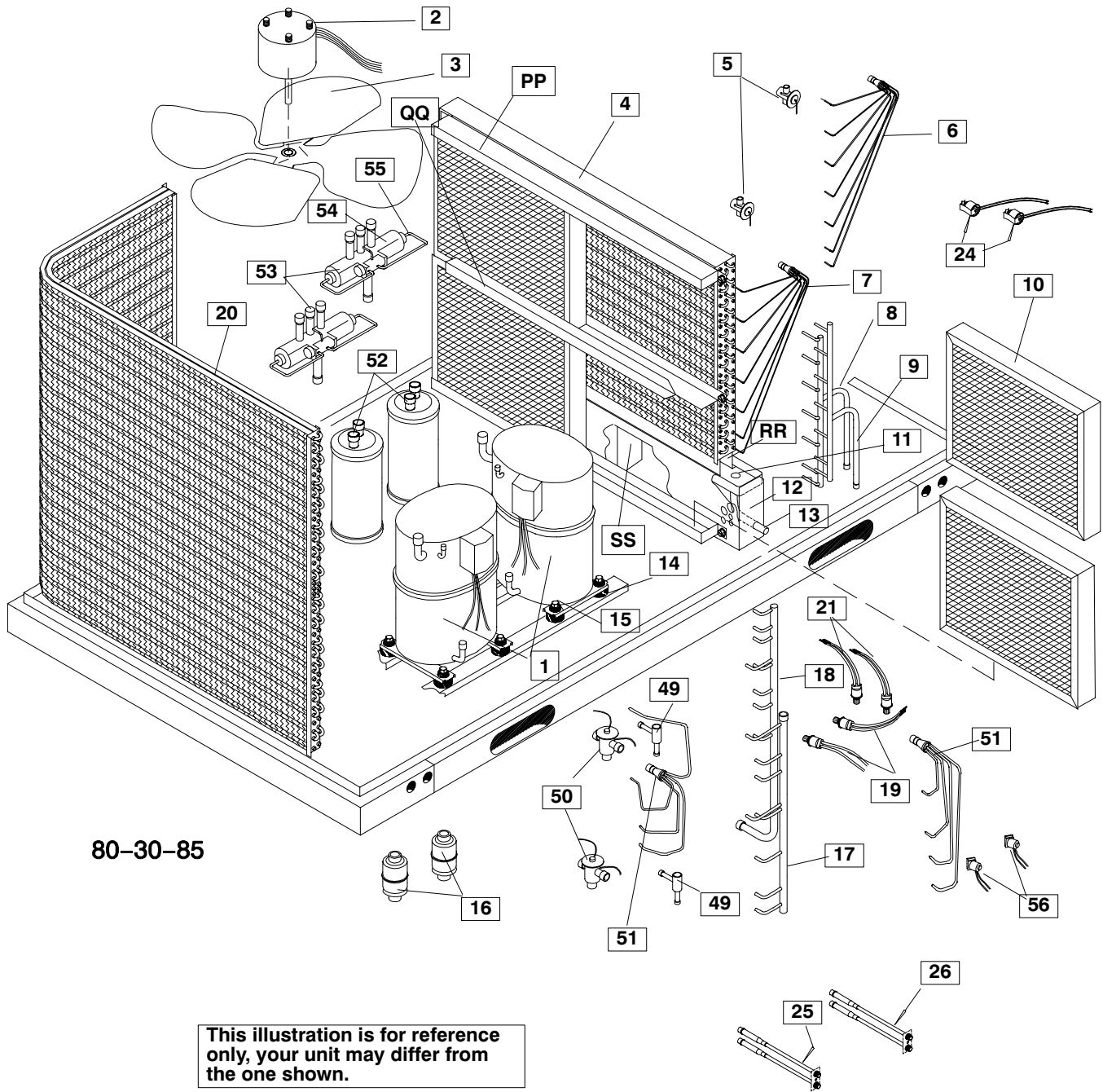
	Description	Part Number	090/ 75F	120/ 10F
31	Wheel, Blower	1071609	1	1
32	Pulley, Motor	1097240	1	1
33	Belt, Drive	1097236	1	1
34	Puller, Blower	1097228	1	1
35	Key, Square Machine	1071604	1	1
36	Bearing / Collar	1071605	2	2
37	Shaft, Blower	1071607	1	1
38	Cushion, Bearing	2110273	2	2
39	Housing / Wheel Assembly	1070639	1	1
39	(Includes No. 31,35,36,37,YY,38)			
40	Timer, Anti-Cycle	1085325	2	2
41	Capacitor, 12.5 Mfd.,440 Volt	1094967	1	2
42	Contactora, 30 Amp	607339	1	1
43	Contactora, 30 Amp	1070823	1	1
44	Board, Low Voltage Terminal	1070171	1	1
45	Contactora, 30 Amp (Indoor Blower)	1054736	1	1
46	Transformer, 75VA	1084001	1	1
48	Distributor Asy (Condenser)	1072307	1	1
49	Valve, Check	1052910	4	4
50	Valve, Expansion (Condenser)	1072238	2	
50		1072237	*	2
51	Distributor Asy (Condenser)	1072308	1	1
52	Accumulator	1053430	2	
52		1053431	*	2
53	Valve, Reversing	1095319	2	2
54	Harness, Reversing Valve	1066711	2	2
55	Coil, Reversing Valve	34329055	2	2
56	Sensor, Defrost	1072392	2	2
57	Relay, Defrost	1065280	1	1
58	Relay, Heat/Cool	1072384	1	1
59	Relay, Emergency Heat	1058148	1	1
60	Control, Defrost	1052757	1	1
61	Contactora, 25 Amp (Condenser motor)	1050699	1	1

**NON-FUNCTIONAL PARTS LIST, MODELS: PHB090N2LC, PHB120N2LC, RYMA75F001C, RYMA10F001C**

	Description	Part Number	090/ 75F	120/ 10F
A	Grille, Outlet	1072841	1	
A		1072842	*	2
A1	Nut, Cap	1067902	4	8
B	Panel, Top (Heat)	1072780	1	1
C	Panel, Top (Evaporator)	1072832	1	1
D	Support, Condenser Top	1071296	1	1
E	Panel, Top (Condenser)	1072837	1	
E		1072840	*	1
F	Orifice, Fan	1070458	1	
F		1065725	*	2
G	Panel, Division	****		
H	Panel, Supply Air	1072798	1	1
J	Post, Corner Heat Rear	1072774	1	1
K	Deck, Blower	1070288	1	1
L	Post, Corner Heat Front	1072827	1	1
M	Bracket, Heater Box	1071484	1	1
N	Panel, Access	1072829	1	1
O	Plate, Panel Cover	1071487	1	1
P	Rail, Base (Heat End)	****		
Q	Panel, Fuse Block	1071466	1	1
R	Cover, Fuse Block	1071603	1	1
S	Panel, Blower	1072802	1	1
T	Panel, Fuse Access	1072813	1	1
U	Panel, Evaporator Access	1072788	1	1
V	Panel, Condenser Access	1072784	1	1
W	Bracket, Fuse Block	1071602	1	1
X	Pan, Heat Section Base	****		
Y	Post, Evaporator Front	1072821	1	1
Y1	Panel, Evaporator	****		
Z	Post, Condenser Front	1072762	1	1

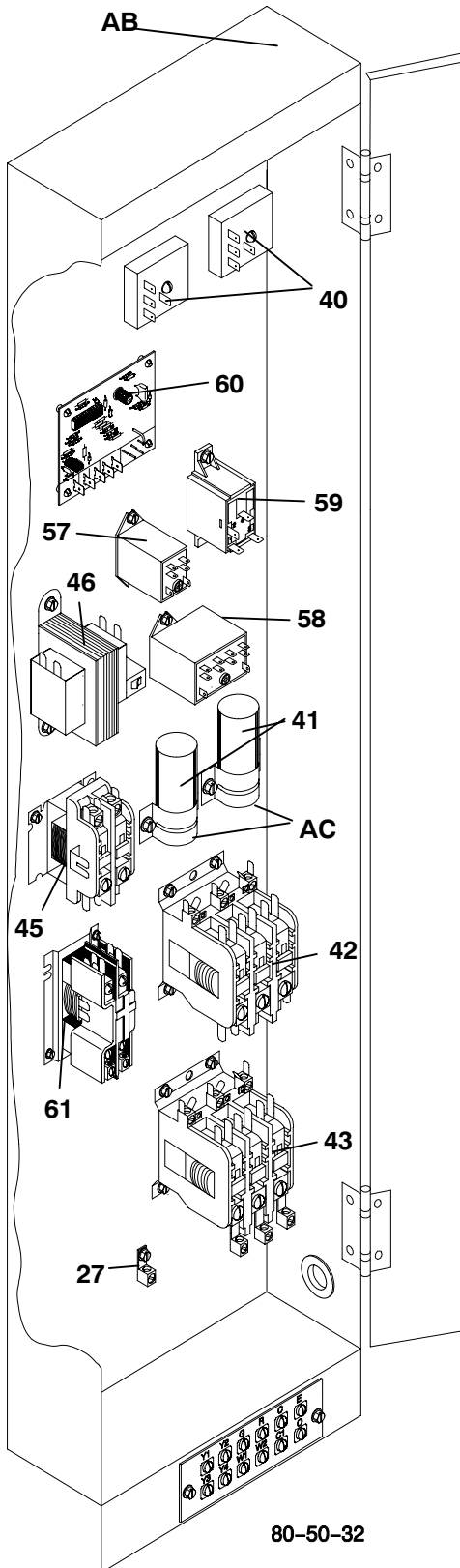
	Description	Part Number	090/ 75F	120/ 10F
AA	Rail, Base (Front)	****		
BB	Post, Condenser Front	1072752	1	1
CC	Support, Compressor	****		
DD	Rail, Base Condenser End	****		
EE	Panel, Condenser Base	****		
FF	Post, Condenser Rear	1072754	1	1
GG	Rail, Rear Base	****		
HH	Post, Rear Condenser	1072744	1	1
JJ	Panel, Duct Cover (Return)	1072809	1	1
KK	Panel, Duct Cover (Supply)	1072811	1	1
LL	Panel, Return Air	1072794	1	1
MM	Post, Evaporator Rear	1072770	1	1
NN	Panel, Division (Evaporator/Heat	****		
OO	Pan, Evaporator Base	****		
PP	Bracket, Filter Rack	1070993	2	2
QQ	Rack, Filter	1070516	1	1
RR	Support, Coil	1070784	1	1
SS	Bracket, Drain Pan Support	****		
TT	Screw, 3/8 - 16 Adjustment	1071172	1	1
UU	Bracket, Motor Mount	1070361	1	1
VV	Mount, Motor	1071248	1	1
WW	Clip, Retaining	1071304	1	1
XX	Bracket, Blower Support	1071239	1	1
YY	Panel, Cutoff	1071608	1	1
AB	Box, Control	1070330	1	1
AC	Clamp, Capacitor	1095022	1	2
)	Manual, Parts List	51604110 1	1	1
)	Manual, Installation	1072733	1	1
	**** = Not Stocked - Non-Serviceable Part			

# FUNCTIONAL PARTS

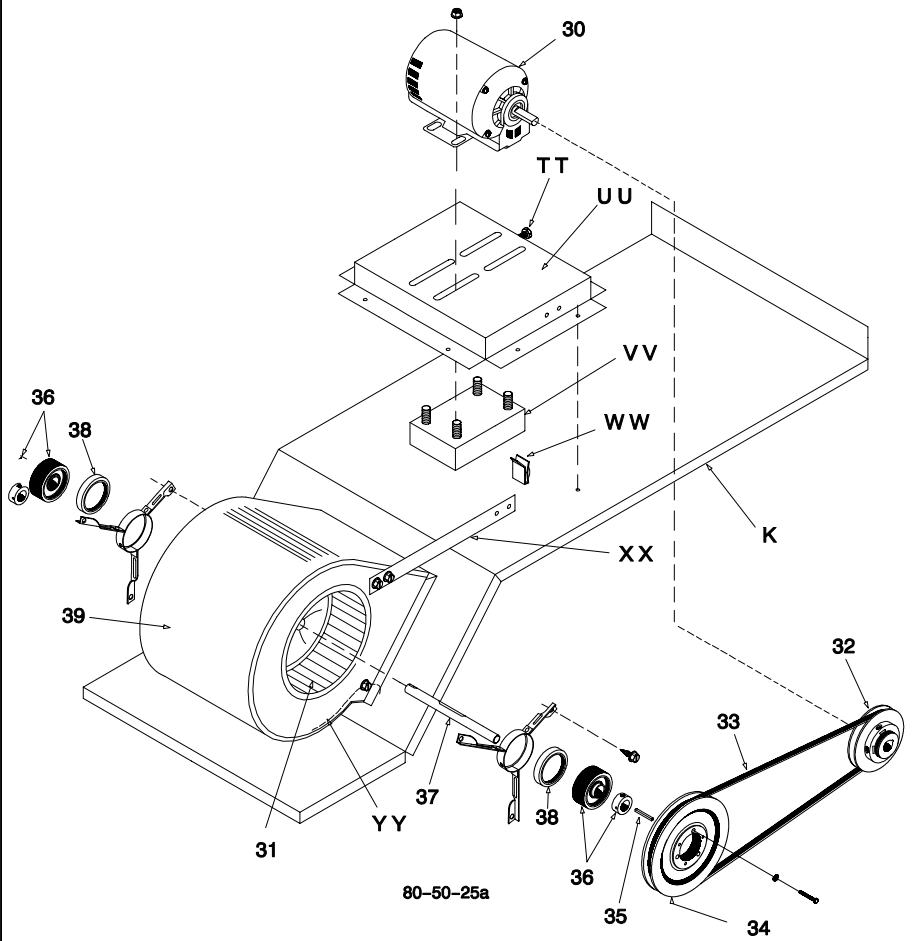


## Functional Parts - Control Panel

This illustration is for reference only,  
your unit may differ from the one shown.

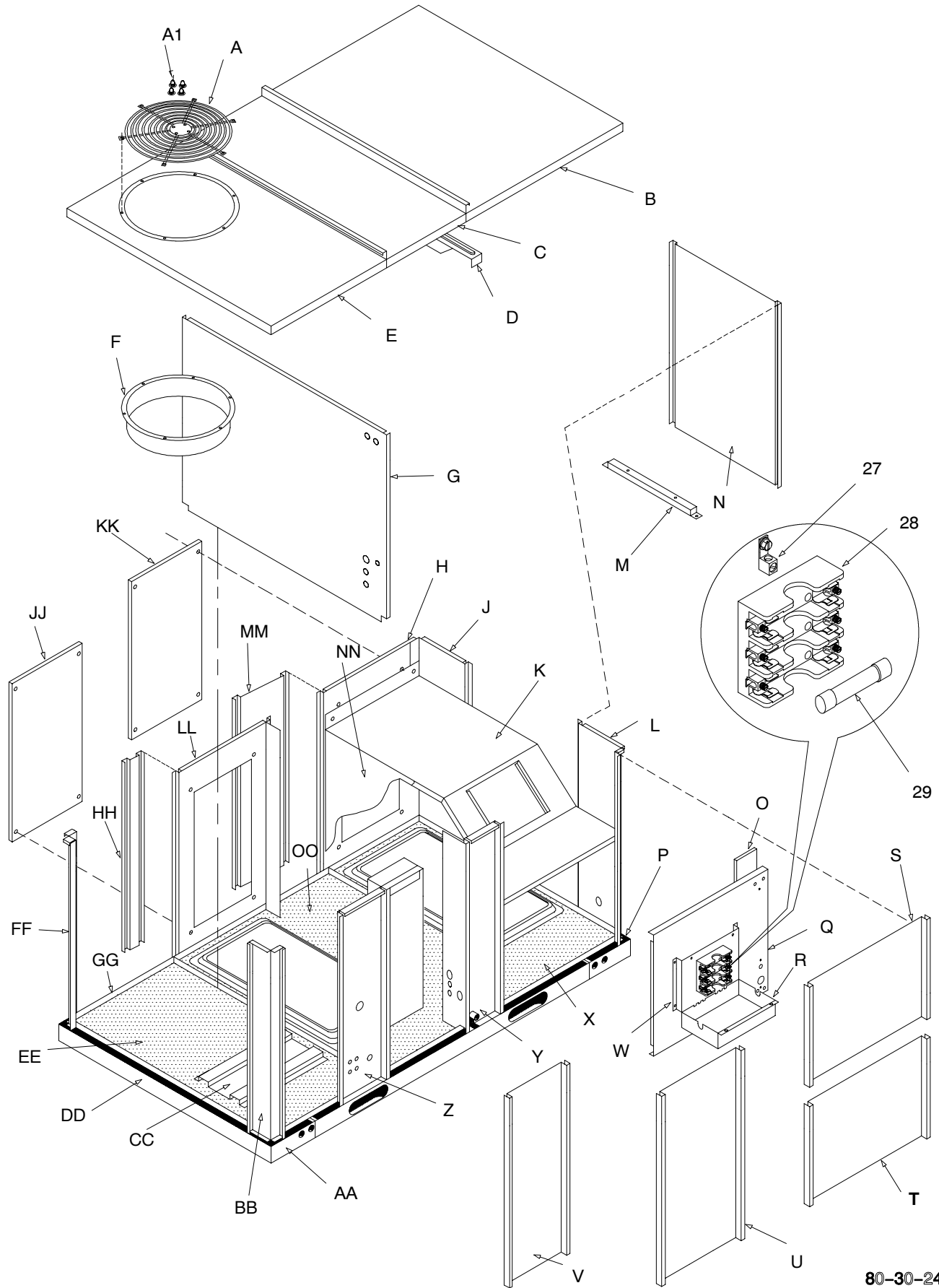


## Functional Parts - Blower Assembly



This illustration is for reference only,  
your unit may differ from the one shown.

# Non-Functional Parts



80-30-24a