

**High
Efficiency**

12+

HEIL[®]
HEATING & COOLING PRODUCTS

12+ SEER R-410A Heat Pump



Representative photo only, some models may vary in appearance.



Rated in accordance with ARI Standard 240. Certification applies only when used with proper components as listed with ARI.



2 THRU 5 TONS SPLIT SYSTEM

REFRIGERATION CIRCUIT

- Environmentally sound R-410A refrigerant
- High efficiency scroll compressors on all models with sound jacket
- Suction line accumulator on all models
- Integrated solid state time / temperature defrost and Compressor anti-cycle timer
- Soft defrost change over
- Low pressure cut-out switch
- High pressure cut-out switch
- Large biflow filter driers
- Discharge line over-temperature cut-out compressor protection

BUILT TO LAST

- G-90 Galvanized steel cabinet with integral base rails
- Triple step painting process
- Copper tube / aluminum fin coil
- Precoated condenser fins
- Coated inlet and discharge grilles ruggedly built for enhanced coil protection
- Top discharge design for quieter operation
- Standard 5 year limited warranty on parts
- Ten (10) year limited compressor warranty
- Covered under the 5 year No Hassle Replacement Warranty Program

EASY TO INSTALL AND SERVICE

- Numerous service friendly features
- Service valves on all models with 3-1/2" stubs
- Fan motor in-line disconnect plug
- Easy side access sloped control panel
- Factory charged with R-410A, condenser plus 15 ft. lines
- External high and low refrigerant service ports

International Comfort Products Corporation LLC
651 Heil-Quaker Ave.
Lewisburg, Tennessee 37091

RESIDENTIAL AND COMMERCIAL SYSTEMS • SPLIT SYSTEMS • PACKAGED AIR CONDITIONERS •
COMBINATION GAS / ELECTRIC UNITS • HEAT PUMPS • AIR HANDLERS • MANUFACTURED HOME AIR
CONDITIONERS • GAS, OIL AND ELECTRIC FURNACES

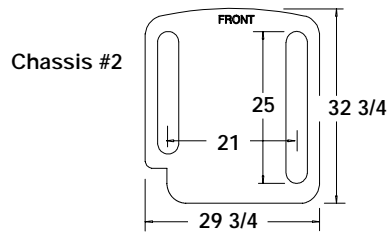
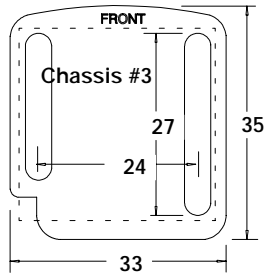
Base Specifications

Model Number	HXH224AKC	HXH230AKC	HXH236AKC	HXH242AKC	HXH248AKC	HXH260AKC
Max. Cooling Capacity (Btuh)	25000	28600	34000	40500	45500	58000
Max. Heating Capacity (Btuh)	25000	29600	38000	42000	48000	61000
SEER Label	12	12	12	12	13	12
Sound Rating Decibels	74	74	76	77	77	78
Fan RPM / est. CFM	1075	1075	840	840	840	840
Coil Face Area (Sq Ft)	17.8	17.8	26.67	26.67	20.0	20.0
Coil Rows / Fins Per Inch	1 / 24	1 / 24	1 / 24	1 / 24	2 / 22	2 / 22
Line Connection Suction I.D. Size (In.)	3/4	3/4	3/4	7/8	7/8	1-1/8
Line Connection Liquid I.D. Size (In.)	3/8	3/8	3/8	3/8	3/8	3/8
Factory Charge - R410A (Oz)	112	128	176	188	228	236
Weight Lbs. (Ship)	182	184	237	240	263	293
Fan HP / Type / Speeds	1/8-PSC-1	1/8-PSC-1	1/8-PSC-1	1/4-PSC-1	1/4-PSC-1	1/4-PSC-1

Electrical Specifications - 208 - 230 / 1 / 60, Voltage Range 197V - 253V

	HXH224AKC	HXH230AKC	HXH236AKC	HXH242AKC	HXH248AKC	HXH260AKC
Minimum Circuit Ampacity ³	18.3	19.8	23.8	28.0	27.1	36.0
Wire Size/Max. Length (AWG Cu) Ft.	14 / 41	14 / 37	12 / 50	10 / 68	10 / 69	8 / 82
Time Delay Fuse (Amps)	20	30	40	40	40	60
Max. Fuse or HACR Breaker Size (Amps)	30	30	40	40	40	60
Compressor Full Run / Lock Rotor Amps	13.5 / 61.0	14.7 / 72.5	17.8 / 83.0	21.2 / 104	20.5 / 109	27.6 / 158
Fan Full Load / Lock Rotor Amps.	1.4 / 2.36	1.4 / 2.36	1.5 / 2.9	1.5 / 2.9	1.5 / 2.9	1.5 / 2.9

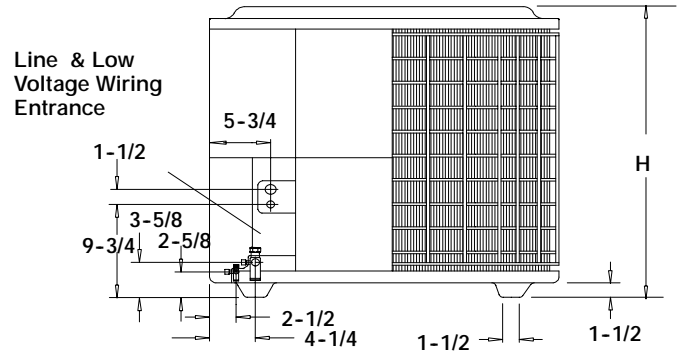
Dimensions		
Model	Chassis	Height (H)
224	2	32-5/8
230	2	32-5/8
236	3	42-5/8
242	3	42-5/8
248	3	32-5/8
260	3	32-5/8



Minimum Mounting Pad Sizes with pad starting at 9" from structure for minimum clearances

Chassis #2 24" W X 26" D
Chassis #3 27" W X 28" D

ALL DIMENSIONS IN INCHES



Accessory	Description	Used On
EBAC05TXVX	Expansion Valve Kit	2 - 2 1/2 Ton
EBAC06TXVX	Expansion Valve Kit	3 - 3 1/2 Ton
EBAC07TXVX	Expansion Valve Kit	4 Ton
EBAC08TXVX	Expansion Valve Kit	5 Ton
AXWR01DFA	Fossil Fuel Kit	All Models
AMA001TDA	Indoor Blower Time Delay	All Models
AMB001CMA	Mesh Grille Guard (Pkg of 6) Trim to Fit	All Models
1053477 *	Compressor Crankcase Heater Solid State "Stick On" Type	All Models
1148113 *	Compressor Crankcase Heater "Wrap-around" Type (6.5 to 8.5 inch Dia Compressors)**	**All Models
1061482 *	Compressor Crankcase Heater "Wrap-around" Type (4.2 to 6.7 inch Dia Compressors)**	**All Models

* Order from Service Parts

PERFORMANCE DATA COOLING

Outdoor Model	Indoor Model	Cooling 95 F					Heating 47 F			Heating 17 F		CFM
		Btuh	SEER	S/T	EER	Watts	Btuh	COP	HSPF	Btuh	COP	
HXH224AKC*	EBXX24****	25000	12	0.75	10.3	2427	25000	3.22	8	16500	2.28	850
HXH224AKC*	EXX*24B****+TD1	24600	12	0.75	10.2	2412	26000	3.24	8	16300	2.26	850
HXH224AKC*	EXX*24B****+*8MPV050	24600	12.2	0.75	10.6	2321	26000	3.3	8	16100	2.3	850
HXH224AKC*	EXX*24B****+*8MPV075	25000	12.5	0.75	11	2283	26000	3.4	8.2	16000	2.36	895
HXH224AKC*	EXX*24B****+*9MPV050	24600	12	0.75	10.5	2354	26000	3.28	8	16200	2.3	855
HXH224AKC*	EXX*24B****+*9MPV075	25000	12.5	0.75	10.8	2326	26000	3.34	8	16000	2.32	860
HXH224AKC*	EXX*24B****+MV08B15****	25000	13	0.75	11.2	2242	25600	3.4	8.2	15800	2.38	850
HXH224AKC*	EXX*24B****+MV12F19****	25000	13	0.75	11.2	2232	25600	3.44	8.2	15800	2.4	870
HXH224AKC*	EXX*24F****+TD1	24600	12	0.75	10.2	2412	26000	3.24	8	16300	2.26	850
HXH224AKC*	EXX*24F****+*8MPV050	24600	12.2	0.75	10.6	2321	26000	3.3	8	16100	2.3	850
HXH224AKC*	EXX*24F****+*8MPV075	24600	12.5	0.75	11	2247	26000	3.4	8	15900	2.36	875
HXH224AKC*	EXX*24F****+*8MPV100	25000	13	0.75	11.1	2252	25600	3.42	8.2	15900	2.38	885
HXH224AKC*	EXX*24F****+*8MPV125	25000	12.5	0.75	11	2273	26000	3.42	8.2	15900	2.38	885
HXH224AKC*	EXX*24F****+*9MPV050	24600	12	0.75	10.5	2354	26000	3.28	8	16500	2.32	855
HXH224AKC*	EXX*24F****+*9MPV075	25000	12.5	0.75	10.8	2326	26000	3.34	8	16000	2.34	860
HXH224AKC*	EXX*24F****+*9MPV100	25000	12.5	0.75	11	2273	25600	3.36	8	15800	2.36	835
HXH224AKC*	EXX*24F****+MV08B15****	25000	13	0.75	11.2	2242	25600	3.4	8.2	15800	2.38	850
HXH224AKC*	EXX*24F****+MV12F19****	25000	13	0.75	11.2	2232	25600	3.44	8.2	15800	2.4	870
HXH224AKC*	EXX*24F****+MV16J22****	25000	13	0.75	11.3	2222	25600	3.44	8.2	15800	2.4	865
HXH224AKC*	EXX*36B****+TD1	25000	12	0.75	10.4	2404	26400	3.34	8	16400	2.3	850
HXH224AKC*	EXX*36B****+*8MPV050	25000	12.5	0.75	11	2283	26000	3.46	8.2	16100	2.38	855
HXH224AKC*	EXX*36B****+*8MPV075	25000	13	0.75	11.3	2222	26200	3.58	8.5	16400	2.48	930
HXH224AKC*	EXX*36B****+*9MPV050	25000	12.5	0.75	11	2283	26000	3.42	8.2	16100	2.36	820
HXH224AKC*	EXX*36B****+*9MPV075	25000	12.5	0.75	11	2273	26200	3.52	8.5	16500	2.44	915
HXH224AKC*	EXX*36B****+MV08B15****	25000	13.2	0.75	11.5	2183	25800	3.54	8.5	15800	2.44	840
HXH224AKC*	EXX*36B****+MV12F19****	25000	13.5	0.75	11.5	2174	25800	3.58	8.5	15900	2.46	860
HXH224AKC*	EXX*36F****+TD1	25000	12	0.75	10.4	2404	26400	3.34	8	16400	2.3	850
HXH224AKC*	EXX*36F****+*8MPV050	25000	12.5	0.75	11	2283	26000	3.46	8.2	16200	2.38	855
HXH224AKC*	EXX*36F****+*8MPV075	25000	13	0.75	11.3	2222	26000	3.58	8.5	16400	2.48	930
HXH224AKC*	EXX*36F****+*8MPV100	25800	13.2	0.75	11.4	2263	26000	3.64	8.5	16400	2.52	955
HXH224AKC*	EXX*36F****+*8MPV125	25600	13	0.75	11.4	2256	26200	3.62	8.5	16400	2.5	960
HXH224AKC*	EXX*36F****+*9MPV050	25000	12.5	0.75	11	2283	25800	3.42	8.2	16100	2.36	820
HXH224AKC*	EXX*36F****+*9MPV075	25000	12.5	0.75	11	2273	26200	3.52	8.5	16500	2.44	915
HXH224AKC*	EXX*36F****+*9MPV100	25000	13	0.75	11.3	2212	26000	3.56	8.5	16300	2.48	895
HXH224AKC*	EXX*36F****+MV08B15****	25000	13.2	0.75	11.5	2183	25800	3.54	8.5	15800	2.44	840
HXH224AKC*	EXX*36F****+MV12F19****	25000	13.5	0.75	11.5	2174	25800	3.58	8.5	15900	2.46	860
HXH224AKC*	EXX*36F****+MV16J22****	25000	13.5	0.75	11.6	2155	25800	3.6	8.5	16100	2.5	865
HXH224AKC*	EXX*36J****+TD1	25000	12	0.75	10.4	2404	26400	3.34	8	16400	2.3	850
HXH224AKC*	EXX*36J****+*8MPV075	25600	13	0.75	11.3	2265	26200	3.62	8.5	16400	2.5	955
HXH224AKC*	EXX*36J****+*8MPV100	26200	13.2	0.75	11.5	2288	26200	3.66	8.8	16400	2.52	975
HXH224AKC*	EXX*36J****+*8MPV125	26200	13.2	0.75	11.4	2298	26200	3.66	8.7	16500	2.52	982
HXH224AKC*	EXX*36J****+*9MPV050	25000	12.5	0.75	11	2283	26000	3.44	8.2	16100	2.38	830
HXH224AKC*	EXX*36J****+*9MPV075	25200	13	0.75	11.1	2281	26200	3.56	8.5	16500	2.46	940
HXH224AKC*	EXX*36J****+*9MPV100	25000	13	0.75	11.4	2203	26000	3.6	8.5	16400	2.5	925
HXH224AKC*	EXX*36J****+*9MPV125	26000	13	0.75	11.2	2321	26200	3.6	8.5	16500	2.48	970
HXH224AKC*	EXX*36J****+MV12F19****	25000	13.5	0.75	11.6	2165	25800	3.6	8.5	16200	2.5	885
HXH224AKC*	EXX*36J****+MV16J22****	25000	13.5	0.75	11.7	2146	25800	3.64	8.5	16100	2.52	890
HXH224AKC*	EXX*36J****+MV20N26****	25400	13.5	0.75	11.7	2171	26000	3.7	9	16200	2.56	950
HXH224AKC*	EBV24****+R410A-TXV	25000	13.1	0.75	11.3	2222	25800	3.5	8.3	15900	2.4	850
HXH224AKC*	EBXX24****	25000	12	0.75	10.3	2427	25800	3.22	7.5	16100	2.24	850
HXH224AKC*	EBXX36****	25000	12	0.75	10.4	2415	26200	3.28	8	16400	2.28	850
HXH224AKC*	EBV36****+R410A-TXV	25400	13.2	0.75	11.4	2238	26200	3.46	8.5	15800	2.4	850
HXH230AKC*	EBXX36****	28600	12	0.75	10.2	2804	29600	3.38	8	18300	2.3	1050
HXH230AKC*	EXX*36B****+TD1	28600	12	0.75	10.3	2777	29600	3.48	8	18300	2.34	1050
HXH230AKC*	EXX*36B****+*8MPV075	28600	13	0.75	11.1	2588	28800	3.58	8.2	17700	2.42	975
HXH230AKC*	EXX*36B****+*9MPV075	28800	12.5	0.75	10.8	2667	29000	3.54	8	17800	2.38	970
HXH230AKC*	EXX*36B****+MV08B15****	29000	13	0.75	11.1	2613	29000	3.6	8.2	17700	2.44	985
HXH230AKC*	EXX*36B****+MV12F19****	29000	13.2	0.75	11.3	2578	29000	3.66	8.2	17600	2.46	1015

PERFORMANCE DATA COOLING

Outdoor Model	Indoor Model	Cooling 95 F					Heating 47 F			Heating 17 F		CFM
		Btuh	SEER	S/T	EER	Watts	Btuh	COP	HSPF	Btuh	COP	
HXH230AKC*	EXX*36F****+TD1	28600	12	0.75	10.3	2777	29600	3.48	8	18300	2.34	1050
HXH230AKC*	EXX*36F****+*8MPV050	28600	12.5	0.75	10.6	2711	29000	3.48	8	17900	2.36	955
HXH230AKC*	EXX*36F****+*8MPV075	28800	13	0.75	11.1	2606	29000	3.58	8.2	17700	2.42	975
HXH230AKC*	EXX*36F****+*8MPV100	29000	13	0.75	11.2	2601	29200	3.66	8.2	17800	2.46	1055
HXH230AKC*	EXX*36F****+*8MPV125	29000	13	0.75	11.1	2624	29200	3.64	8.2	17800	2.44	1055
HXH230AKC*	EXX*36F****+*9MPV050	28400	12.2	0.75	10.5	2705	29000	3.44	8	18000	2.34	940
HXH230AKC*	EXX*36F****+*9MPV075	28800	12.5	0.75	10.8	2667	29000	3.54	8.1	17800	2.38	970
HXH230AKC*	EXX*36F****+*9MPV100	29000	13	0.75	11	2648	29000	3.62	8.2	17900	2.44	1055
HXH230AKC*	EXX*36F****+MV08B15****	29000	13	0.75	11.1	2613	29000	3.6	8.2	17700	2.44	985
HXH230AKC*	EXX*36F****+MV12F19****	29000	13.2	0.75	11.3	2578	29000	3.66	8.2	17600	2.46	1015
HXH230AKC*	EXX*36F****+MV16J22****	29000	13.5	0.75	11.4	2544	29000	3.66	8.5	17500	2.48	980
HXH230AKC*	EXX*36J****+TD1	28600	12	0.75	10.3	2777	29600	3.48	8	18300	2.34	1050
HXH230AKC*	EXX*36J****+*8MPV075	29000	13	0.75	11.1	2613	29000	3.62	8.2	17700	2.44	1000
HXH230AKC*	EXX*36J****+*8MPV100	29000	13	0.75	11.2	2589	29000	3.7	8.5	17800	2.48	1085
HXH230AKC*	EXX*36J****+*8MPV125	29000	13	0.75	11.1	2613	29000	3.68	8.5	17800	2.46	1085
HXH230AKC*	EXX*36J****+*9MPV050	28600	12.5	0.75	10.5	2724	29000	3.48	8	18000	2.34	960
HXH230AKC*	EXX*36J****+*9MPV075	28800	12.5	0.75	10.9	2654	29000	3.56	8.1	17800	2.4	1000
HXH230AKC*	EXX*36J****+*9MPV100	29000	13	0.75	11	2636	29000	3.66	8.2	17900	2.44	1085
HXH230AKC*	EXX*36J****+*9MPV125	29000	13	0.75	11	2648	29200	3.64	8.2	17900	2.44	1075
HXH230AKC*	EXX*36J****+MV12F19****	29000	13.5	0.75	11.3	2566	29000	3.7	8.5	17700	2.48	1050
HXH230AKC*	EXX*36J****+MV16J22****	29000	13.5	0.75	11.5	2533	28800	3.7	8.5	17500	2.5	1010
HXH230AKC*	EXX*36J****+MV20N26****	29000	13.5	0.75	11.5	2522	28800	3.7	8.5	17500	2.5	1010
HXH230AKC*	EXX*42F****+TD1	29000	12	0.75	10.4	2788	29000	3.58	8.1	18400	2.36	1050
HXH230AKC*	EXX*42F****+*8MPV050	29000	12.5	0.75	10.7	2710	29400	3.56	8.1	18000	2.38	960
HXH230AKC*	EXX*42F****+*8MPV075	29000	13	0.75	11.2	2601	29200	3.68	8.5	17800	2.46	985
HXH230AKC*	EXX*42F****+*8MPV100	29600	13.2	0.75	11.3	2619	29400	3.8	8.5	17800	2.5	1070
HXH230AKC*	EXX*42F****+*8MPV125	29600	13	0.75	11.2	2643	29600	3.78	8.5	17900	2.48	1075
HXH230AKC*	EXX*42F****+*9MPV050	28800	12.5	0.75	10.6	2717	29400	3.54	8.1	18100	2.38	950
HXH230AKC*	EXX*42F****+*9MPV075	29000	13	0.75	11	2648	29400	3.64	8.2	17900	2.42	980
HXH230AKC*	EXX*42F****+*9MPV100	29600	13	0.75	11.1	2667	29600	3.76	8.5	18000	2.48	1075
HXH230AKC*	EXX*42F****+MV08B15****	29000	13.2	0.75	11.3	2578	29000	3.72	8.5	17800	2.48	995
HXH230AKC*	EXX*42F****+MV12F19****	29600	13.5	0.75	11.4	2596	29200	3.78	8.5	17700	2.5	1030
HXH230AKC*	EXX*42F****+MV16J22****	29600	13.5	0.75	11.6	2563	29000	3.78	8.5	17600	2.52	990
HXH230AKC*	EXX*42J****+TD1	29000	12	0.75	10.4	2788	30000	3.58	8.1	18400	2.36	1050
HXH230AKC*	EXX*42J****+*8MPV075	29000	13	0.75	11.2	2601	29000	3.68	8.5	17800	2.46	985
HXH230AKC*	EXX*42J****+*8MPV100	29600	13.2	0.75	11.3	2619	29400	3.8	8.5	17800	2.5	1070
HXH230AKC*	EXX*42J****+*8MPV125	29600	13	0.75	11.2	2643	29600	3.8	8.5	17900	2.48	1075
HXH230AKC*	EXX*42J****+*9MPV050	28800	12.5	0.75	10.6	2717	29400	3.54	8.1	18100	2.38	950
HXH230AKC*	EXX*42J****+*9MPV075	29000	13	0.75	11	2648	29400	3.64	8.2	17900	2.42	980
HXH230AKC*	EXX*42J****+*9MPV100	29600	13	0.75	11.1	2667	29400	3.76	8.5	18000	2.48	1075
HXH230AKC*	EXX*42J****+*9MPV125	29400	13	0.75	11.1	2661	29400	3.74	8.5	18000	2.46	1055
HXH230AKC*	EXX*42J****+MV12F19****	29600	13.5	0.75	11.4	2596	29200	3.8	8.5	17700	2.5	1030
HXH230AKC*	EXX*42J****+MV16J22****	29600	13.5	0.75	11.6	2563	29000	3.78	8.5	17600	2.52	990
HXH230AKC*	EXX*42J****+MV20N26****	29600	14	0.75	11.6	2552	29000	3.78	8.5	17500	2.52	990
HXH230AKC*	EBV24****+R410A-TXV	28600	12.5	0.75	10.7	2673	29200	3.52	8	17900	2.36	1000
HXH230AKC*	EBV36****+R410A-TXV	29200	13.2	0.75	11.2	2619	29000	3.58	8.2	17700	2.42	1050
HXH236AKC*	EBX36****	34000	12.2	0.77	10.5	3254	38000	3.4	8.2	23600	2.42	1250
HXH236AKC*	EXX*36B****+TD1	33600	12.5	0.77	10.6	3170	37600	3.4	8.3	23200	2.42	1100
HXH236AKC*	EXX*36B****+*8MPV050	33600	12	0.77	10.4	3246	38000	3.38	8.2	23600	2.4	1130
HXH236AKC*	EXX*36B****+*8MPV075	34000	13	0.77	11.1	3063	37400	3.52	8.5	23000	2.5	1125
HXH236AKC*	EXX*36B****+*9MPV075	34000	12.5	0.77	10.6	3208	38000	3.48	8.5	23400	2.46	1195
HXH236AKC*	EXX*36B****+MV08B15****	34000	13	0.77	11	3091	37400	3.54	8.5	23200	2.5	1185
HXH236AKC*	EXX*36B****+MV12F19****	34400	13.2	0.77	11.2	3071	37400	3.6	8.6	23000	2.54	1210
HXH236AKC*	EXX*36F****+TD1	33600	12.5	0.77	10.6	3170	37400	3.4	8.2	23200	2.42	1100
HXH236AKC*	EXX*36F****+*8MPV050	33600	12	0.77	10.4	3246	38000	3.38	8.2	23400	2.4	1130
HXH236AKC*	EXX*36F****+*8MPV075	34000	13	0.77	11	3105	38000	3.54	8.5	23200	2.5	1205
HXH236AKC*	EXX*36F****+*8MPV100	34400	13.2	0.77	11.2	3071	37600	3.6	8.6	23000	2.54	1210
HXH236AKC*	EXX*36F****+*8MPV125	34200	13.1	0.77	11.2	3067	37600	3.58	8.5	23000	2.52	1200
HXH236AKC*	EXX*36F****+*9MPV050	33400	12	0.77	10.4	3227	38000	3.36	8.2	23400	2.4	1115
HXH236AKC*	EXX*36F****+*9MPV075	34000	12.5	0.77	10.6	3208	38000	3.48	8.5	23400	2.46	1195
HXH236AKC*	EXX*36F****+*9MPV100	34000	13	0.77	11.1	3077	37600	3.56	8.5	23200	2.5	1195

PERFORMANCE DATA COOLING

Outdoor Model	Indoor Model	Cooling 95 F					Heating 47 F			Heating 17 F		CFM
		Btuh	SEER	S/T	EER	Watts	Btuh	COP	HSPF	Btuh	COP	
HXH236AKC*	EXX*36F****+MV08B15****	34000	13	0.77	11	3091	37600	3.54	8.5	23200	2.5	1185
HXH236AKC*	EXX*36F****+MV12F19****	34400	13.2	0.77	11.2	3071	37600	3.6	8.6	23000	2.54	1210
HXH236AKC*	EXX*36F****+MV16J22****	34400	13.5	0.77	11.6	2978	37600	3.64	8.7	22800	2.58	1175
HXH236AKC*	EXX*36J****+TD1	34000	12.3	0.77	10.6	3223	38000	3.5	8.5	23600	2.46	1250
HXH236AKC*	EXX*36J****+*8MPV075	34000	13	0.77	11.2	3049	37600	3.56	8.5	23000	2.52	1160
HXH236AKC*	EXX*36J****+*8MPV100	34600	13.5	0.77	11.3	3062	38000	3.66	8.7	23000	2.56	1265
HXH236AKC*	EXX*36J****+*8MPV125	34400	13.2	0.77	11.2	3071	38000	3.62	8.7	23200	2.54	1255
HXH236AKC*	EXX*36J****+*9MPV050	33600	12	0.77	10.4	3231	38000	3.4	8.2	23600	2.42	1140
HXH236AKC*	EXX*36J****+*9MPV075	34000	12.8	0.77	10.9	3119	37600	3.5	8.5	23200	2.48	1155
HXH236AKC*	EXX*36J****+*9MPV100	34400	13	0.77	11.1	3099	38000	3.6	8.6	23200	2.54	1240
HXH236AKC*	EXX*36J****+*9MPV125	34400	13	0.77	11.1	3113	38000	3.58	8.6	23200	2.52	1240
HXH236AKC*	EXX*36J****+MV12F19****	34000	13.5	0.77	11.4	2982	37000	3.58	8.6	22800	2.54	1135
HXH236AKC*	EXX*36J****+MV16J22****	34600	13.8	0.77	11.7	2970	37600	3.7	9	22800	2.6	1225
HXH236AKC*	EXX*36J****+MV20N26****	34600	13.8	0.77	11.7	2970	37600	3.7	9	22800	2.6	1230
HXH236AKC*	EXX*42F****	34400	12.5	0.77	10.7	3215	38000	3.56	8.6	23600	2.48	1200
HXH236AKC*	EXX*42F****+*8MPV050	34000	12	0.77	10.3	3317	38000	3.44	8.3	24000	2.42	1185
HXH236AKC*	EXX*42F****+*8MPV075	34600	13.2	0.77	11.3	3062	37600	3.62	8.7	23000	2.54	1140
HXH236AKC*	EXX*42F****+*8MPV100	35000	13.5	0.77	11.4	3070	38000	3.72	9	23200	2.6	1235
HXH236AKC*	EXX*42F****+*8MPV125	34800	13.3	0.77	11.4	3066	38000	3.7	9	23200	2.58	1225
HXH236AKC*	EXX*42F****+*9MPV050	34000	12.2	0.77	10.5	3238	38000	3.46	8.5	23600	2.44	1130
HXH236AKC*	EXX*42F****+*9MPV075	34400	13	0.77	11	3127	38000	3.56	8.6	23200	2.5	1135
HXH236AKC*	EXX*42F****+*9MPV100	34800	13.2	0.77	11.2	3107	38000	3.66	9	23200	2.56	1215
HXH236AKC*	EXX*42F****+MV08B15****	34800	13.2	0.77	11.2	3107	38000	3.66	8.7	23200	2.56	1200
HXH236AKC*	EXX*42F****+MV12F19****	35000	13.5	0.77	11.4	3070	38000	3.72	9	23200	2.6	1230
HXH236AKC*	EXX*42F****+MV16J22****	35000	14	0.77	11.8	2979	37600	3.76	9	22800	2.62	1200
HXH236AKC*	EXX*42J****+TD1	34400	12.5	0.77	10.7	3215	38000	3.56	8.6	23600	2.48	1200
HXH236AKC*	EXX*42J****+*8MPV075	34600	13.2	0.77	11.3	3062	37600	3.62	8.7	23000	2.54	1140
HXH236AKC*	EXX*42J****+*8MPV100	35000	13.5	0.77	11.4	3070	38000	3.72	9	23200	2.6	1235
HXH236AKC*	EXX*42J****+*8MPV125	34800	13.3	0.77	11.4	3066	38000	3.7	9	23200	2.58	1225
HXH236AKC*	EXX*42J****+*9MPV050	34000	12.2	0.77	10.5	3238	38000	3.46	8.5	23600	2.44	1130
HXH236AKC*	EXX*42J****+*9MPV075	34400	13	0.77	11	3127	38000	3.56	8.6	23200	2.5	1135
HXH236AKC*	EXX*42J****+*9MPV100	34800	13.2	0.77	11.2	3107	38000	3.66	9	23200	2.56	1215
HXH236AKC*	EXX*42J****+*9MPV125	34800	13	0.77	11.2	3121	38000	3.66	8.7	23400	2.54	1215
HXH236AKC*	EXX*42J****+MV12F19****	35000	13.5	0.77	11.4	3070	38000	3.72	9	23200	2.6	1230
HXH236AKC*	EXX*42J****+MV16J22****	35000	14	0.77	11.8	2979	37600	3.76	9	22800	2.62	1200
HXH236AKC*	EXX*42J****+MV20N26****	35000	14	0.77	11.8	2979	37600	3.76	9	22800	2.62	1205
HXH236AKC*	EBV36****+R410A-TXV	34600	13.2	0.77	11.2	3089	37600	3.54	8.5	23000	2.5	1250
HXH236AKC*	EBV48****+R410A-TXV	36000	14	0.77	11.9	3025	38000	3.82	9	23000	2.66	1250
HXH242AKC*	EBXX48****	40500	12	0.76	10.4	3913	42000	3.26	8.5	28000	2.46	1400
HXH242AKC*	EXX*48J****+TD1	39500	12	0.76	10.3	3854	41500	3.28	8.5	27800	2.48	1400
HXH242AKC*	EXX*48J****+*8MPV100	40000	12.5	0.76	10.8	3721	41000	3.38	8.7	27400	2.56	1425
HXH242AKC*	EXX*48J****+*8MPV125	40000	12.5	0.76	10.7	3738	41000	3.38	8.7	27600	2.54	1435
HXH242AKC*	EXX*48J****+*9MPV100	40000	12.2	0.76	10.5	3828	41000	3.34	8.7	27800	2.52	1435
HXH242AKC*	EXX*48J****+*9MPV125	40000	12.1	0.76	10.4	3865	41500	3.32	8.6	27800	2.5	1430
HXH242AKC*	EXX*48J****+MV16J22****	40500	13	0.76	11.1	3665	40500	3.44	9	27200	2.6	1435
HXH242AKC*	EXX*48L****+TD1	39500	12	0.76	10.3	3854	41500	3.28	8.5	27800	2.48	1400
HXH242AKC*	EXX*48L****+*8MPV100	40000	12.6	0.76	10.8	3721	41000	3.38	8.7	27400	2.56	1425
HXH242AKC*	EXX*48L****+*8MPV125	40000	12.5	0.76	10.7	3738	41000	3.38	8.7	27600	2.54	1435
HXH242AKC*	EXX*48L****+*9MPV100	40000	12.2	0.76	10.5	3828	41000	3.34	8.7	27800	2.52	1435
HXH242AKC*	EXX*48L****+*9MPV125	40000	12	0.76	10.4	3865	41500	3.32	8.6	27800	2.5	1430
HXH242AKC*	EXX*48L****+MV16J22****	40500	13	0.76	11.1	3665	40500	3.44	9	27200	2.6	1435
HXH242AKC*	EXX*48N****+TD1	39500	12	0.76	10.3	3854	41500	3.28	8.5	27800	2.48	1400
HXH242AKC*	EXX*48N****+*8MPV100	40000	12.5	0.76	10.8	3721	41000	3.4	8.7	27400	2.56	1430
HXH242AKC*	EXX*48N****+*8MPV125	40000	12.5	0.76	10.7	3738	41000	3.38	8.7	27600	2.56	1445
HXH242AKC*	EXX*48N****+*9MPV100	40000	12.2	0.76	10.5	3828	41000	3.34	8.7	27800	2.52	1440
HXH242AKC*	EXX*48N****+*9MPV125	40000	12.1	0.76	10.4	3865	41500	3.32	8.6	27800	2.5	1435
HXH242AKC*	EXX*48N****+MV16J22****	40500	13	0.76	11.1	3665	40500	3.46	9	27200	2.6	1440
HXH242AKC*	EXX*60L****+TD1	41000	12.5	0.76	10.6	3868	41000	3.38	8.8	28000	2.52	1400
HXH242AKC*	EXX*60L****+*8MPV100	42000	13.1	0.76	11.2	3750	40500	3.54	9.1	27600	2.62	1470
HXH242AKC*	EXX*60L****+*8MPV125	42000	13	0.76	11.2	3767	40500	3.52	9.1	27800	2.62	1485
HXH242AKC*	EXX*60L****+*9MPV100	41500	12.7	0.76	10.9	3807	40500	3.46	9	28000	2.58	1475

PERFORMANCE DATA COOLING

Outdoor Model	Indoor Model	Cooling 95 F					Heating 47 F			Heating 17 F		CFM
		Btuh	SEER	S/T	EER	Watts	Btuh	COP	HSPF	Btuh	COP	
HXH242AKC*	E XX*60L****+*9MPV125	41500	12.5	0.76	10.8	3843	41000	3.46	9	28000	2.56	1470
HXH242AKC*	E XX*60L****+MV16J22****	42000	13.5	0.76	11.5	3652	40500	3.6	9.2	27400	2.68	1475
HXH242AKC*	E XX*60N****	41000	12.5	0.76	10.6	3868	41000	3.38	8.8	28000	2.52	1400
HXH242AKC*	E XX*60N****+*8MPV100	42000	13	0.76	11.2	3750	40500	3.52	9.1	27600	2.62	1460
HXH242AKC*	E XX*60N****+*8MPV125	42000	13	0.76	11.2	3767	40500	3.52	9	27800	2.62	1475
HXH242AKC*	E XX*60N****+*9MPV100	41500	12.7	0.76	10.9	3807	41000	3.46	9	28000	2.58	1465
HXH242AKC*	E XX*60N****+*9MPV125	41500	12.5	0.76	10.8	3843	41000	3.44	9	28000	2.56	1460
HXH242AKC*	E XX*60N****+MV16J22****	42000	13.5	0.76	11.5	3652	40500	3.6	9.2	27400	2.68	1465
HXH242AKC*	EBV48****+R410A-TXV	41500	13.2	0.76	11.3	3689	40500	3.44	9	27200	2.6	1400
HXH242AKC*	EBV60****+R410A-TXV	42000	13.5	0.76	11.4	3700	41000	3.52	9	27400	2.64	1400
HXH248AKC*	EBXX48****	45500	13	0.76	10.9	4194	48000	3.48	8	28800	2.28	1560
HXH248AKC*	E XX*48J****+TD1	44000	12.5	0.76	10.8	4074	47500	3.48	8	28400	2.28	1500
HXH248AKC*	E XX*48J****+*8MPV100	44500	13	0.76	11	4064	47500	3.56	8.2	28400	2.32	1590
HXH248AKC*	E XX*48J****+*8MPV125	44500	13	0.76	10.9	4083	47500	3.54	8.2	28400	2.3	1575
HXH248AKC*	E XX*48J****+*9MPV100	44500	12.5	0.76	10.6	4198	48000	3.48	8.1	28800	2.28	1600
HXH248AKC*	E XX*48J****+*9MPV125	44000	12.5	0.76	10.5	4190	48000	3.46	8	28800	2.26	1605
HXH248AKC*	E XX*48J****+MV16J22****	45000	13.5	0.76	11.4	3965	47500	3.64	8.5	28200	2.38	1625
HXH248AKC*	E XX*48N****+MV20N26****	45000	13.5	0.76	11.4	3965	47000	3.64	8.5	28200	2.38	1620
HXH248AKC*	E XX*48L****+TD1	44000	12.5	0.76	10.8	4074	47500	3.48	8	28400	2.28	1500
HXH248AKC*	E XX*48L****+*8MPV100	44500	13	0.76	11	4064	47500	3.56	8.2	28400	2.32	1590
HXH248AKC*	E XX*48L****+*8MPV125	44500	13	0.76	10.9	4083	47500	3.54	8.2	28400	2.3	1575
HXH248AKC*	E XX*48L****+*9MPV100	44500	12.5	0.76	10.6	4198	48000	3.48	8.1	28800	2.28	1600
HXH248AKC*	E XX*48L****+*9MPV125	44000	12.5	0.76	10.5	4190	48000	3.46	8	28800	2.26	1605
HXH248AKC*	E XX*48L****+MV16J22****	45000	13.5	0.76	11.4	3965	47500	3.64	8.5	28200	2.38	1625
HXH248AKC*	E XX*48L****+MV20N26****	45000	13.5	0.76	11.4	3965	47500	3.64	8.5	28200	2.38	1620
HXH248AKC*	E XX*48N****+TD1	44000	12.5	0.76	10.8	4074	47500	3.48	8	28400	2.28	1500
HXH248AKC*	E XX*48N****+*8MPV100	44500	13	0.76	11	4064	47500	3.56	8.2	28400	2.32	1595
HXH248AKC*	E XX*48N****+*8MPV125	44500	13	0.76	10.9	4083	47500	3.54	8.2	28400	2.3	1580
HXH248AKC*	E XX*48N****+*9MPV100	44500	12.5	0.76	10.6	4198	48000	3.5	8.1	28800	2.28	1605
HXH248AKC*	E XX*48N****+*9MPV125	44000	12.5	0.76	10.5	4190	48000	3.46	8	28800	2.26	1605
HXH248AKC*	E XX*48N****+MV16J22****	45000	13.5	0.76	11.4	3965	47500	3.64	8.5	28200	2.38	1630
HXH248AKC*	E XX*48N****+MV20N26****	45000	13.5	0.76	11.4	3965	47500	3.66	8.5	28200	2.38	1625
HXH248AKC*	E XX*60L****+TD1	46000	13.2	0.76	11.2	4126	48000	3.58	8.3	28800	2.34	1560
HXH248AKC*	E XX*60L****+*8MPV100	46000	13.5	0.76	11.4	4035	48000	3.66	8.5	28600	2.38	1625
HXH248AKC*	E XX*60L****+*8MPV125	46000	13.5	0.76	11.4	4053	48000	3.66	8.5	28600	2.38	1615
HXH248AKC*	E XX*60L****+*9MPV100	46000	13	0.76	11.1	4163	48000	3.6	8.3	29000	2.34	1630
HXH248AKC*	E XX*60L****+*9MPV125	46000	13	0.76	11	4201	47500	3.58	8.2	29000	2.32	1630
HXH248AKC*	E XX*60L****+MV16J22****	46500	14	0.76	11.8	3941	47500	3.76	8.6	28200	2.44	1655
HXH248AKC*	E XX*60L****+MV20N26****	46500	14	0.76	11.9	3924	47500	3.76	8.6	28200	2.44	1655
HXH248AKC*	E XX*60N****+TD1	46000	13.2	0.76	11.2	4126	48000	3.58	8.3	28800	2.34	1560
HXH248AKC*	E XX*60N****+*8MPV100	46000	13.5	0.76	11.4	4035	48000	3.66	8.5	28600	2.38	1615
HXH248AKC*	E XX*60N****+*8MPV125	46000	13.5	0.76	11.4	4053	48000	3.64	8.5	28600	2.36	1605
HXH248AKC*	E XX*60N****+*9MPV100	46000	13	0.76	11.1	4163	48000	3.58	8.3	29000	2.32	1620
HXH248AKC*	E XX*60N****+*9MPV125	46000	13	0.76	11	4201	48000	3.56	8.2	29000	2.32	1625
HXH248AKC*	E XX*60N****+MV16J22****	46500	14	0.76	11.8	3941	47500	3.74	8.6	28400	2.44	1645
HXH248AKC*	E XX*60N****+MV20N26****	46500	14	0.76	11.8	3941	47500	3.76	8.6	28200	2.44	1645
HXH248AKC*	EBV48****+R410A-TXV	45500	14	0.76	11.6	3922	47000	3.62	8.3	28200	2.36	1560
HXH248AKC*	EBV60****+R410A-TXV	46000	14	0.76	11.7	3948	47500	3.7	8.5	28200	2.4	1560
HXH248AKC*	EBXX60****	45500	13	0.76	11	4155	48000	3.56	8.2	29000	2.3	1560
HXH260AKC*	EBXX60****	58000	12.2	0.73	10.5	5550	61000	3.3	7.9	36200	2.4	1750
HXH260AKC*	E XX*60J****+TD1	58000	12.5	0.73	10.7	5421	61000	3.32	8	36000	2.42	1700
HXH260AKC*	E XX*60L****+TD1	58000	12.5	0.73	10.7	5421	61000	3.32	7.9	36000	2.42	1700
HXH260AKC*	E XX*60L****+*8MPV100	58500	12.5	0.73	10.7	5467	61000	3.36	8	36200	2.44	1775
HXH260AKC*	E XX*60L****+*8MPV125	58000	12.2	0.73	10.5	5524	61000	3.32	8	36400	2.42	1785
HXH260AKC*	E XX*60L****+*9MPV100	58000	12	0.73	10.3	5631	61000	3.28	7.9	36800	2.38	1810
HXH260AKC*	E XX*60L****+*9MPV125	58000	12	0.73	10.3	5659	62000	3.28	7.9	36800	2.38	1805
HXH260AKC*	E XX*60L****+MV16J22****	59000	12.7	0.73	10.9	5413	61000	3.42	8.1	36000	2.48	1865
HXH260AKC*	E XX*60L****+MV20N26****	59000	13	0.73	11	5364	61000	3.42	8.1	35800	2.48	1835
HXH260AKC*	E XX*60N****+TD1	58000	12.5	0.73	10.7	5446	61000	3.32	7.9	36000	2.42	1700
HXH260AKC*	E XX*60N****+*8MPV100	58000	12.5	0.73	10.7	5421	61000	3.34	8	36000	2.44	1770
HXH260AKC*	E XX*60N****+*8MPV125	58000	12.2	0.73	10.5	5524	61000	3.32	7.9	36200	2.4	1775

PERFORMANCE DATA COOLING

Outdoor Model	Indoor Model	Cooling 95 F					Heating 47 F			Heating 17 F		CFM	
		Btuh	SEER	S/T	EER	Watts	Btuh	COP	HSPF	Btuh	COP		
HEIL	HXH248AKC*	EBXX60****	45500	13	0.76	11	4155	48000	3.56	8.2	29000	2.3	1560
HEIL	HXH260AKC*	EBXX60****	58000	12.2	0.73	10.5	5550	61000	3.3	7.9	36200	2.4	1750
HEIL	HXH260AKC*	EXX*60L****+TD1	58000	12.5	0.73	10.7	5421	61000	3.32	7.9	36000	2.42	1700
HEIL	HXH260AKC*	EXX*60L****+*8MPV100	58500	12.5	0.73	10.7	5467	61000	3.36	8	36200	2.44	1775
HEIL	HXH260AKC*	EXX*60L****+*8MPV125	58000	12.2	0.73	10.5	5524	61000	3.32	8	36400	2.42	1785
HEIL	HXH260AKC*	EXX*60L****+*9MPV100	58000	12	0.73	10.3	5631	61000	3.28	7.9	36800	2.38	1810
HEIL	HXH260AKC*	EXX*60L****+*9MPV125	58000	12	0.73	10.3	5659	62000	3.28	7.9	36800	2.38	1805
HEIL	HXH260AKC*	EXX*60L****+MV16J22****	59000	12.7	0.73	10.9	5413	61000	3.42	8.1	36000	2.48	1865
HEIL	HXH260AKC*	EXX*60L****+MV20N26****	59000	13	0.73	11	5364	61000	3.42	8.1	35800	2.48	1835
HEIL	HXH260AKC*	EXX*60N****+TD1	58000	12.5	0.73	10.7	5446	61000	3.32	7.9	36000	2.42	1700
HEIL	HXH260AKC*	EXX*60N****+*8MPV100	58000	12.5	0.73	10.7	5421	61000	3.34	8	36000	2.44	1770
HEIL	HXH260AKC*	EXX*60N****+*8MPV125	58000	12.2	0.73	10.5	5524	61000	3.32	7.9	36200	2.4	1775
HEIL	HXH260AKC*	EXX*60N****+*9MPV100	58000	12	0.73	10.3	5659	61000	3.28	7.9	36800	2.38	1805
HEIL	HXH260AKC*	EXX*60N****+*9MPV125	58000	12	0.73	10.2	5686	61500	3.26	7.9	36800	2.38	1795
HEIL	HXH260AKC*	EXX*60N****+MV16J22****	59000	12.7	0.73	10.9	5413	61000	3.42	8.1	36000	2.48	1860
HEIL	HXH260AKC*	EXX*60N****+MV20N26****	59000	13	0.73	11	5388	61000	3.42	8.1	35800	2.48	1830
HEIL	HXH260AKC*	EBV60****+R410A-TXV	58500	13	0.73	11.1	5294	60500	3.42	8	35400	2.48	1750

MODEL NUMBER IDENTIFICATION GUIDE

MODEL NUMBER * PRODUCT FAMILY N = Brand	XH	2	24	A	K	C	SALES CODE ELECTRICAL K = 208/230-1-60 H = 208/230-3-60
NOMINAL SEER RATING 0 = 10 2 = 12 4 = 14	NOMINAL CAPACITY MBTUH 18 = 18,000 24 = 24,000 30 = 30,000 36 = 36,000 42 = 42,000 48 = 48,000 60 = 60,000						

EXTENDED REFRIGERANT LINE CORRECTION FACTORS

Varying Line Length in Feet (m) vs. Total Capacity Multiplier					
25 (8)	50 (15)	75 (23)	100 (30)	125 (38)	150 (46)
1.00	.99	.98	.96	.94	.92

REFRIGERANT CHARGE DATA

All models are factory charged with R-410A for outdoor unit, 15' of refrigerant line and matching indoor section.
 Refrigerant charge correction per foot (305mm) of line:
 3/8" O.D. = .60 oz.;
 1/2" O.D. = 1.2 oz.

VOLTAGE CORRECTION FACTORS

Volts	Capacity	Watts
208	.98	.99

INDOOR AIRFLOW CORRECTION TABLE

% Rated Air	90	95	100	105	110
Total Cap. Mult.	.98	.99	1.00	1.01	1.03
Sens Cap. Mult.	.95	.98	1.00	1.03	1.05

INDOOR TEMPERATURE CORRECTION TABLE

(Based on 95°F Ambient)

Indoor D.B. °F (°C)	Correction Factor	Entering Indoor Wet Bulb °F (°C)						
		59 (15)	61 (16)	63 (17)	65 (18)	67 (19)	69 (20)	71 (21)
70 (21)	Total Cap. Mult.	.90	.93	.96	.99	1.02	-	-
	Sens Cap. Mult.	.86	.85	.82	.77	.70	-	-
75 (24)	Total Cap. Mult.	.89	.92	.95	.98	1.01	1.04	-
	Sens Cap. Mult.	1.04	1.03	1.00	.95	.88	.78	-
80 (26)	Total Cap. Mult.	.88	.91	.94	.97	1.00	1.03	1.06
	Sens Cap. Mult.	1.18	1.17	1.14	1.08	1.00	.89	.73
85 (29)	Total Cap. Mult.	-	.90	.93	.96	.99	1.02	1.05
	Sens Cap. Mult.	-	1.29	1.26	1.20	1.11	.98	.81

Bold Type = approximately 50% Relative Humidity