



FEM4X, FSM4X, FSU4X Product Specifications

FAN COILS

ALL MODELS

- Available for Environmentally Sound R-410A systems
- TXV metering device factory installed
- Copper tube / aluminum fin coil on standard models
- Sweat connections
- Primary and secondary drain fittings with brass inserts
- Multiple electrical entry locations
- Time delay relay (TDR)
- Field installed heater packages from 5 kW – 30 kW available separately
- HUD approved for manufactured housing
- 208/230-1-60 supply voltage
- Units tested and certified by manufacturer to achieve a 2% or less leakage rate at 1.0 inch water column
- 1 inch thick insulation with R value of 4.2

FEM4X

- 1-1/2 – 5 tons
- ECM motor on all models
- 5 ton model available with industry exclusive tin coated copper main tubing for additional corrosion protection
- 5 amp automotive type fuse on control board – Model sizes 1800-4800
- 3 amp automotive type fuse inline on wire harness – Model size 6000
- Multiposition installation – upflow or horizontal left standard, horizontal right with minor modification (field convertible to downflow with available accessory kit)
- No Heat (Plug) Kit factory installed
- Filter (washable) factory supplied on model sizes 1800 – 4800, available as accessory on model size 6000

FSM4X

- 5 ton
- PSC 3-speed motor
- Available with industry exclusive tin coated copper main tubing for additional corrosion protection
- 5 amp automotive type fuse on control board
- Multiposition installation – upflow or horizontal left standard, horizontal right with minor modification (field convertible to downflow with available accessory kit)
- Filter (washable) factory supplied

FSU4X

- 5 ton
- PSC 3-speed motor
- Available with industry exclusive tin coated copper main tubing for additional corrosion protection
- 5 amp automotive type fuse on control board
- Upflow installation
- Filter (washable) available as accessory



Use of the AHRI Certified TM Mark indicates a manufacturer's participation in the program. For verification of certification for individual products, go to www.ahrirectory.org.



Model Series	Tons	Nom. CFM (L/s)	Dimensions H x W x D in. (mm)	Filter Size in. (mm)	Ship Wt lbs. (kg)
FSM4X6000A FSM4X6000AT	5	2000 (944)	59-3/16 x 24-11/16 x 22-1/8 (1503 x 627 x 562)	23-5/16 x 21-1/2 (592 x 546)	201 (91)
FSU4X6000A FSU4X6000AT	5	2000 (944)	59-3/16 x 24-11/16 x 22-1/8 (1503 x 627 x 562)	23-5/16 x 21-1/2 (592 x 546)	201 (91)

Continued on next page

Model Series	Tons	Nom. CFM (L/s)	Dimensions H x W x D in. (mm)	Filter Size in. (mm)	Ship Wt lbs. (kg)
FEM4X1800A	1-1/2	600 (283)	42-11/16 x 14-5/16 x 22-1/16 (1084 x 364 x 560)	13 x 21-1/2 (330 x 546)	112 (51)
FEM4X2400A	2	800 (378)	47-5/8 x 17-5/8 x 22-1/16 (1210 x 448 x 560)	16-3/8 x 21-1/2 (416 x 546)	120 (54)
FEM4X3000A	2-1/2	1000 (472)	49-5/8 x 17-5/8 x 22-1/16 (1261 x 448 x 560)	16-3/8 x 21-1/2 (416 x 546)	122 (55)
FEM4X3500A	3	1200 (566)	53-7/16 x 21-1/8 x 22-1/16 (1357 x 537 x 560)	19-7/8 x 21-1/2 (505 x 546)	146 (66)
FEM4X3600A	3	1200 (566)	49-5/8 x 21-1/8 x 22-1/16 (1261 x 537 x 560)	19-7/8 x 21-1/2 (505 x 546)	157 (71)
FEM4X4200A	3-1/2	1400 (661)	49-5/8 x 21-1/8 x 22-1/16 (1261 x 537 x 560)	19-7/8 x 21-1/2 (505 x 546)	157 (71)
FEM4X4800A	4	1600 (755)	53-7/16 x 21-1/8 x 22-1/16 (1357 x 537 x 560)	19-7/8 x 21-1/2 (505 x 546)	175 (79)
FEM4X6000B FEM4X6000BT	5	1750 (826)	53-7/16 x 21-1/8 x 22-1/16 (1357 x 537 x 560)	19-7/8 x 21-1/2 (505 x 546)	175 (79)

WARRANTY*

FEM4X

- 1 year No Hassle Replacement™ limited warranty

FEM4X, FSM4X, FSU4X

- 5 year parts limited warranty
 - With timely registration, an additional 5 year parts limited warranty

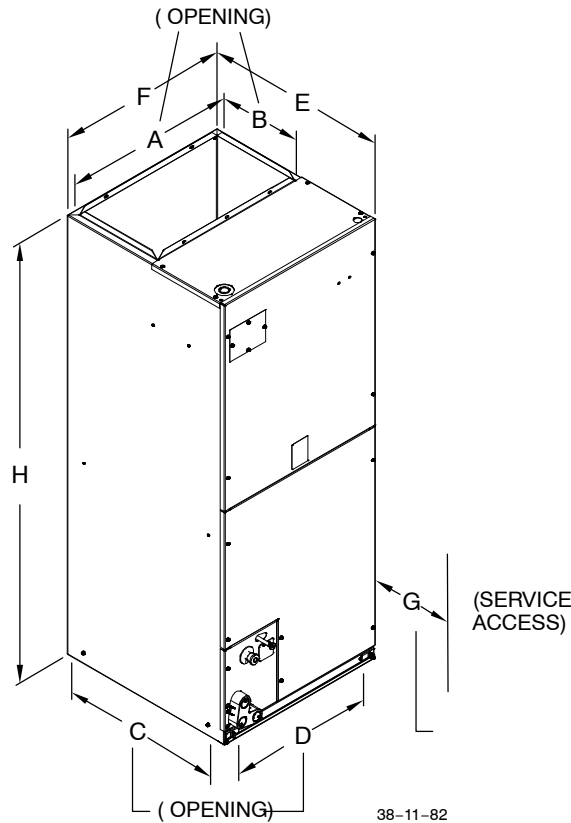
* Applies to original purchaser/homeowner, some limitations may apply. See warranty certificate for complete details.

FAN COIL MODEL NUMBER IDENTIFICATION GUIDE								
DIGIT POSITION	1	2	3	4	5	6,7,8,9	10	11
	F	E	M	4	X	1800	A	T
F = Fan Coil	UNIT							
E = ECM								
S = Standard PSC	MOTOR TYPE							
M = Multiposition								
U = Upflow	INSTALLATION TYPE							
4 = Environmentally Sound R-410A			REFRIGERANT					
X = TXV					METERING DEVICE			
1800 = 18,000 BTUH = 1-1/2 tons								
2400 = 24,000 BTUH = 2 tons								
3000 = 30,000 BTUH = 2-1/2 tons								
3500 = 36,000 BTUH = 3 tons								
3600 = 36,000 BTUH = 3 tons								
4200 = 42,000 BTUH = 3-1/2 tons								
4800 = 48,000 BTUH = 4 tons								
6000 = 60,000 BTUH = 5 tons					NOMINAL CAPACITY			
A = Standard								
AT = Tin Coated Copper Tube					SALES CODE / FEATURES			

ACCESSORIES PART NUMBER IDENTIFICATION GUIDE					
	EB	AC	01	NCB	A
EB = Evaporator Blower					
AC = Accessory					
01 = Product Identifier Number					
NCB = Non-Combustible Base Kit					
DFK = Down Flow Kit					
PLG = Power Plug (no heat kit)					
SPK = Single Point Wiring Kit					
FKS = Filter Kit Small					
FKM = Filter Kit Medium					
FKL = Filter Kit Large					
FKX = Filter Kit Extra Large					
CTK = Condensate Trap Kit (PVC pipe)					
Sales Code					

ELECTRIC HEATER MODEL NUMBER IDENTIFICATION GUIDE						
	EHK	05	A	K	N	1
EHK = Electric Heater Kit						
05 = 5 kW						
07 = 7 kW						
09 = 9 kW						
10 = 10 kW						
15 = 15 kW						
18 = 18 kW						
20 = 20 kW						
25 = 25 kW						
30 = 30 kW			NOMINAL HEAT VALUE			
Sales Code						
K = 208 / 230 single-phase						
H = 208 / 230, 3-phase						
KC = 208 / 230, supplied as single phase, field convertible to 3-phase						
HC = 208 / 230 supplied as 3-phase, field convertible to single phase			VOLTAGE (60 Hz)			
Product Identifier						
Engineering Code						

CLEARANCES AND UNIT DIMENSIONS

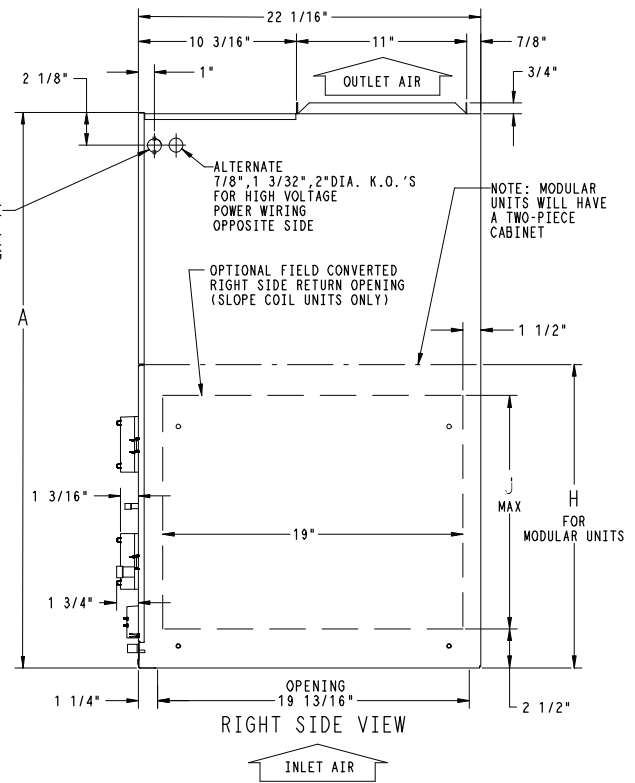
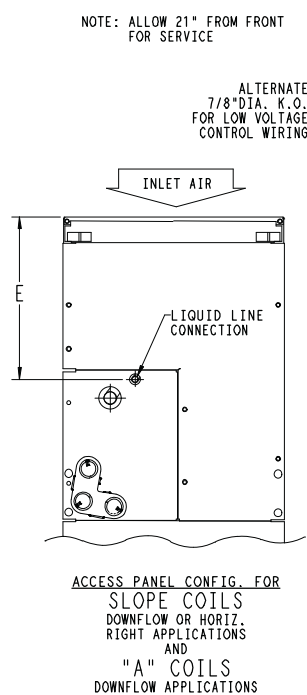
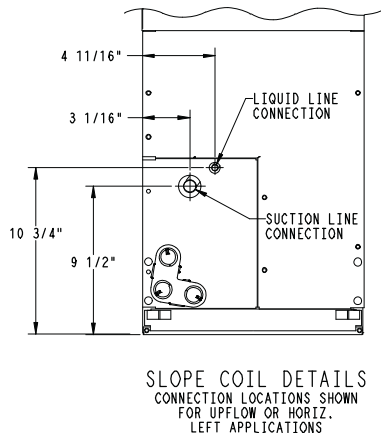
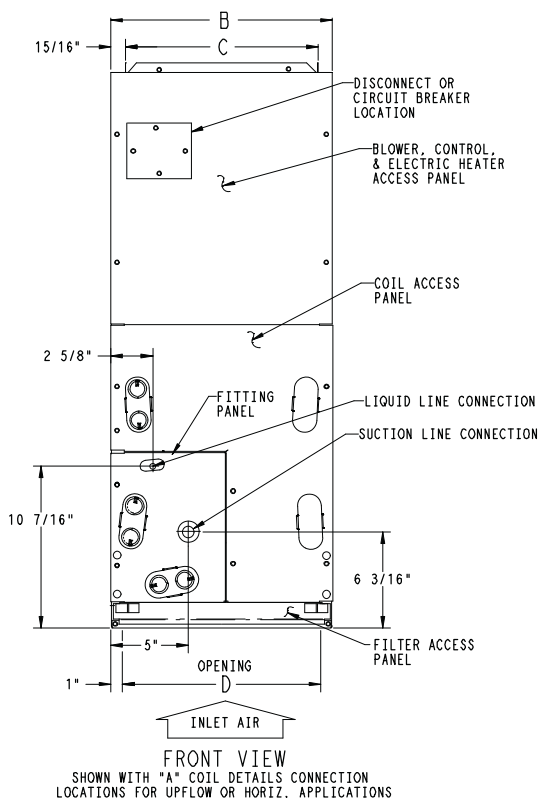
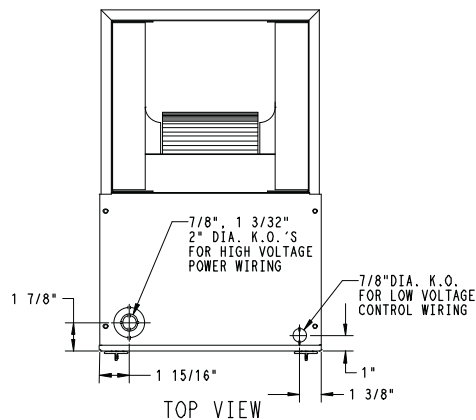


38-11-82

REQUIRED CLEARANCES - ALL MODELS (inches)		
No Heaters	All Sides	0
	From Supply Duct	0
With Heaters	All Sides	0
	From First 3 feet of Supply Duct to Combustibles	1
	From Supply Duct to Combustibles after 3 feet	0

Model Size	FEM4X Inches (English)							
	A	B	C	D	E	F	G	H
FEM4X1800	12-7/16	11	19-13/16	12-5/16	22-1/16	14-5/16	21	42-11/16
FEM4X2400	15-3/4	11	19-13/16	15-5/8	22-1/16	17-5/8	21	47-5/8
FEM4X3000	15-3/4	11	19-13/16	15-5/8	22-1/16	17-5/8	21	49-5/8
FEM4X3500	19-1/4	11	19-13/16	19-1/8	22-1/16	21-1/8	21	53-7/16
FEM4X3600	19-1/4	11	19-13/16	19-1/8	22-1/16	21-1/8	21	49-5/8
FEM4X4200	19-1/4	11	19-13/16	19-1/8	22-1/16	21-1/8	21	49-5/8
FEM4X4800	19-1/4	11	19-13/16	19-1/8	22-1/16	21-1/8	21	53-7/16
FEM4X6000	19-1/4	11	19-13/16	19-1/8	22-1/16	21-1/8	21	53-7/16
	FSM4X, FSU4X Inches (English)							
	A	B	C	D	E	F	G	H
FSM4X6000	22-3/4	11	19-13/16	22-11/16	22-1/8	24-11/16	24	59-3/16
FSU4X6000								

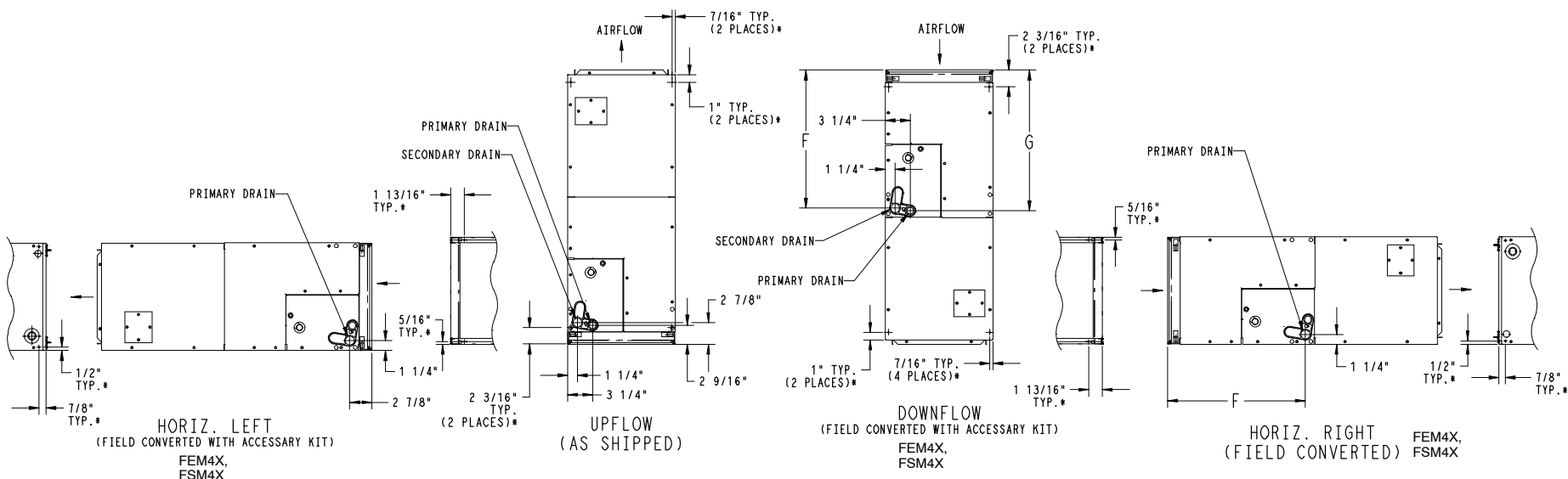
Model Size	FEM4X mm (SI Metric)							
	A	B	C	D	E	F	G	H
FEM4X1800	316	279	503	313	560	364	533	1084
FEM4X2400	400	279	503	397	560	448	533	1210
FEM4X3000	400	279	503	397	560	448	533	1261
FEM4X3500	489	279	503	486	560	537	533	1357
FEM4X3600	489	279	503	486	560	537	533	1261
FEM4X4200	489	279	503	486	560	537	533	1261
FEM4X4800	489	279	503	486	560	537	610	1357
FEM4X6000	489	279	503	489	560	537	533	1357
	FSM4X, FSU4X mm (SI Metric)							
	A	B	C	D	E	F	G	H
FSM4X6000	578	279	503	576	562	627	610	1503
FSU4X6000								



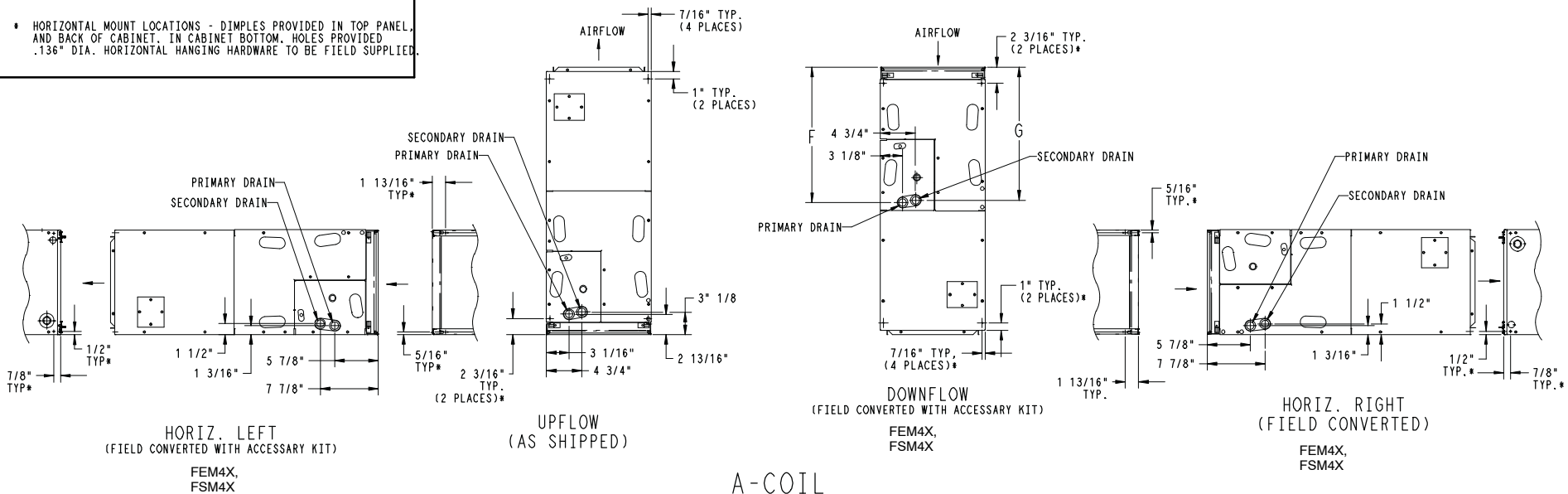
Dimensions Inches (English)

NOTES:
1. CONDENSATE PAN DRAIN CAPS NOT SHOWN FOR CLARITY.

SLOPE COIL

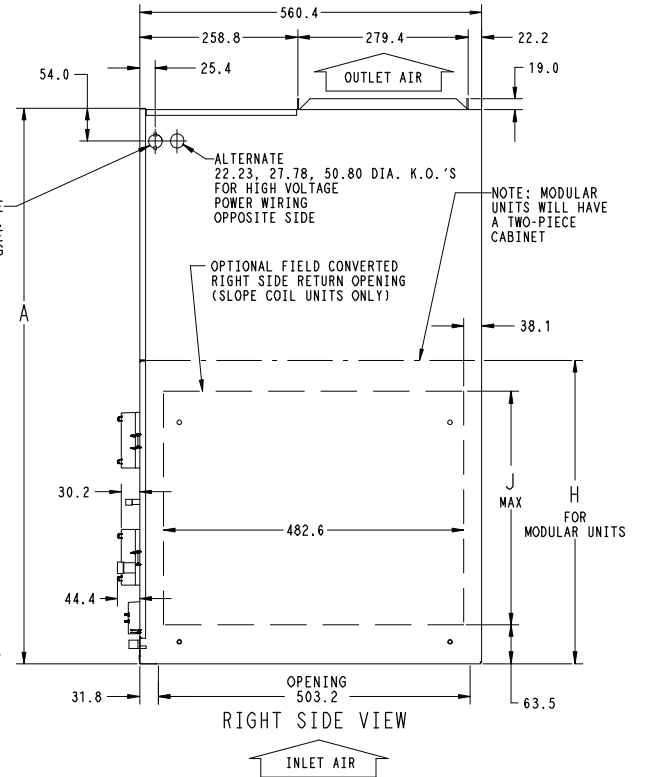
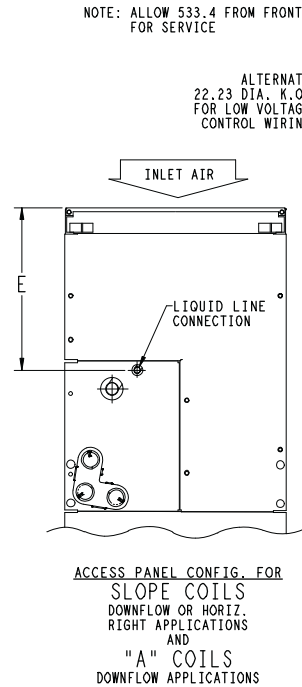
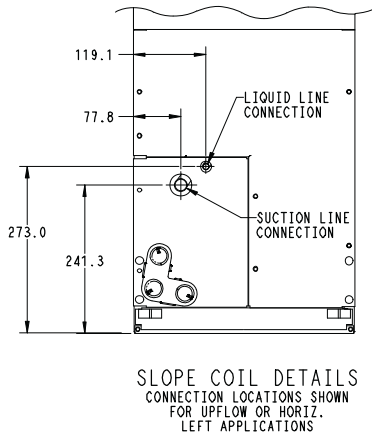
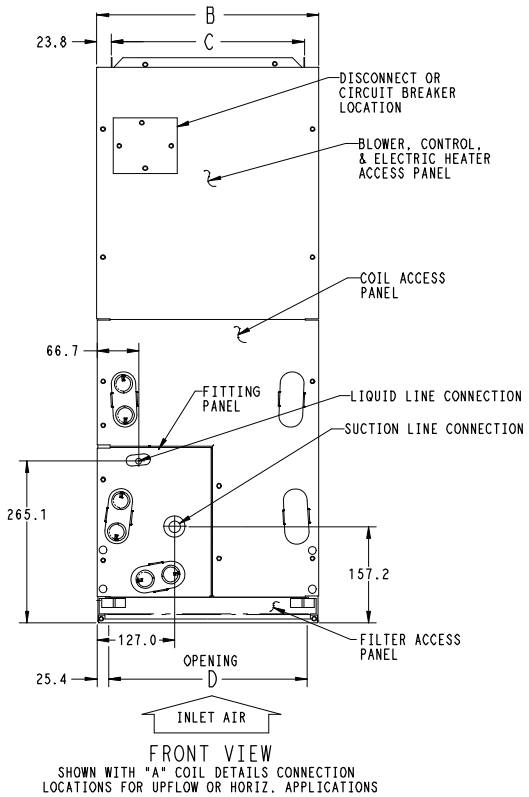
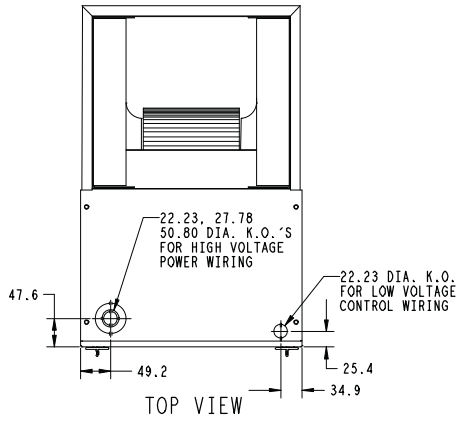


* HORIZONTAL MOUNT LOCATIONS - DIMPLES PROVIDED IN TOP PANEL, AND BACK OF CABINET. IN CABINET BOTTOM, HOLES PROVIDED .136" DIA. HORIZONTAL HANGING HARDWARE TO BE FIELD SUPPLIED.



A-COIL

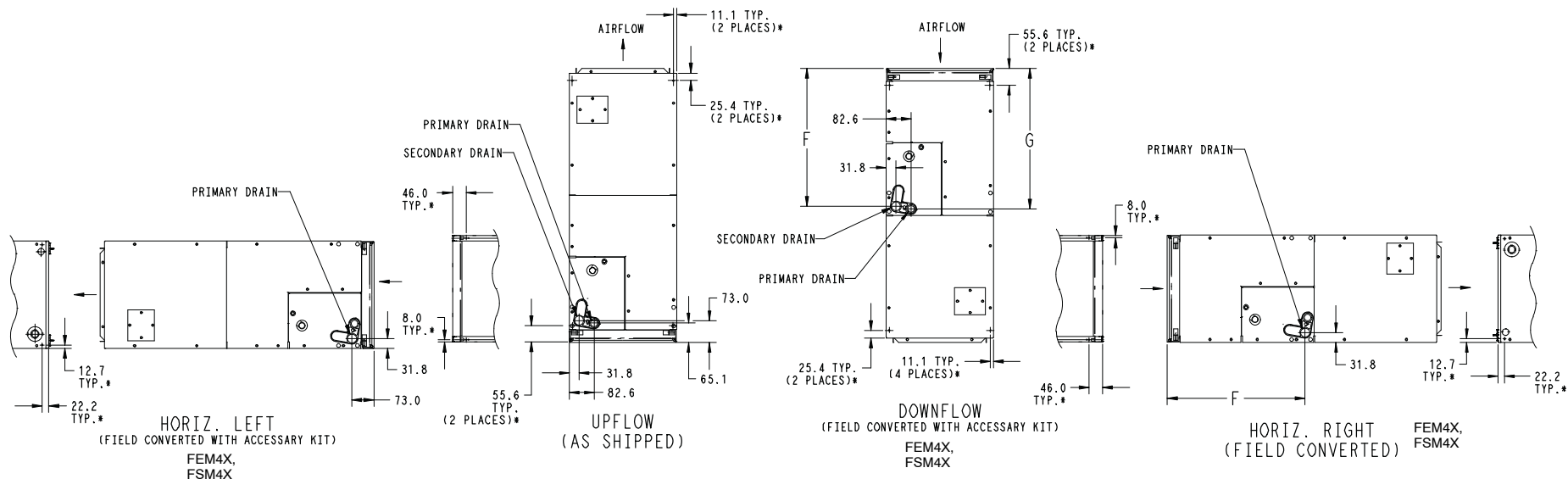
Dimensions Inches (English)



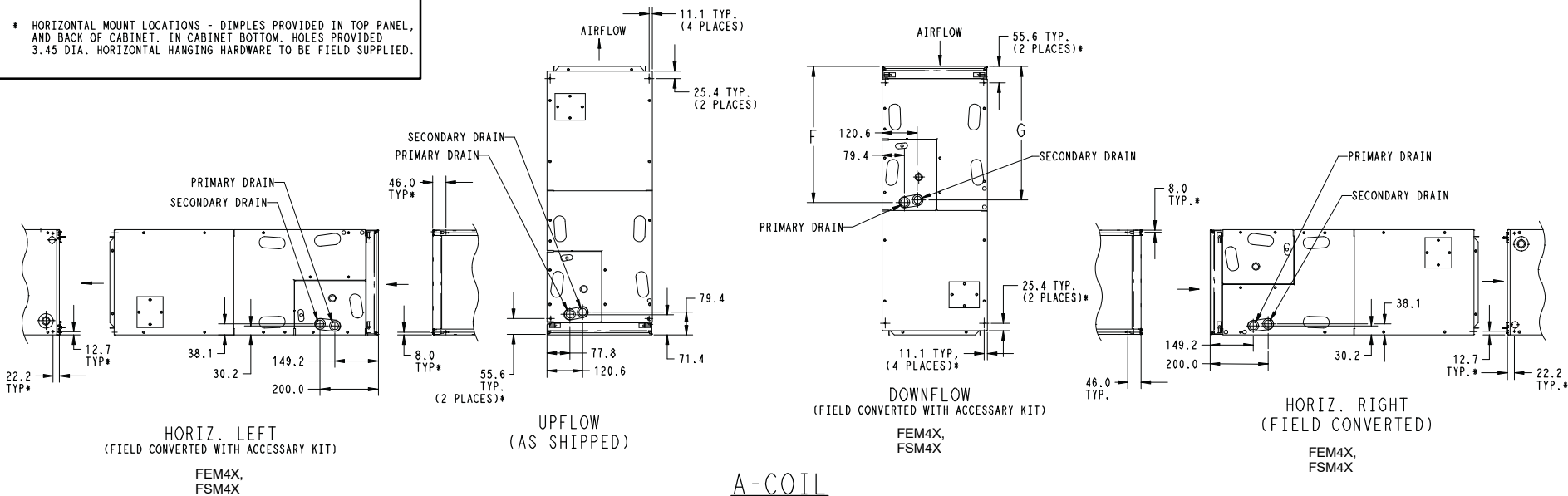
Dimensions MM (SI Metric)

NOTES:
1. CONDENSATE PAN DRAIN CAPS NOT SHOWN FOR CLARITY.

SLOPE COIL



* HORIZONTAL MOUNT LOCATIONS - DIMPLES PROVIDED IN TOP PANEL, AND BACK OF CABINET. IN CABINET BOTTOM, HOLES PROVIDED 3.45 DIA. HORIZONTAL HANGING HARDWARE TO BE FIELD SUPPLIED.



A-COIL

Dimensions MM (SI Metric)

DIMENSIONAL DATA (refer to drawings on previous pages)														
Model	Size (tons)	Dimensions in. (mm)											Coil Type	Ship. Weight lbs. (kg)
		A	B	C	D	E	F	G	H	J	Suct	Liq		
FEM4X1800A	1-1/2	42-11/16 (1084)	14-5/16 (364)	12-7/16 (316)	12-5/16 (313)	10-7/16 (265)	18-1/8 (460)	18-5/8 (473)	—	12 (305)	5/8 (16)	3/8 (10)	Slope	112 (51)
FEM4X2400A	2	47-5/8 (1210)	17-5/8 (448)	15-3/4 (400)	15-5/8 (397)	15-3/8 (391)	23-1/8 (587)	23-5/8 (600)	—	17 (432)	5/8 (16)	3/8 (10)	Slope	120 (54)
FEM4X3000A	2-1/2	49-5/8 (1261)	17-5/8 (448)	15-3/4 (400)	15-5/8 (397)	15-3/8 (391)	23-1/8 (587)	23-5/8 (600)	—	17 (432)	3/4 (19)	3/8 (10)	Slope	122 (55)
FEM4X3500A	3	53-7/16 (1357)	21-1/8 (537)	19-1/4 (489)	19-1/8 (486)	19-3/16 (487)	26-15/16 (684)	27-1/2 (699)	—	19 (483)	3/4 (19)	3/8 (10)	Slope	157 (71)
FEM4X3600A	3	49-5/8 (1261)	21-1/8 (537)	19-1/4 (489)	19-1/8 (486)	15-11/16 (399)	23-7/16 (595)	23-1/8 (587)	—	—	3/4 (19)	3/8 (10)	"A"	157 (71)
FEM4X4200A	3-1/2	49-5/8 (1261)	21-1/8 (537)	19-1/4 (489)	19-1/8 (486)	15-11/16 (399)	23-7/16 (595)	23-1/8 (587)	—	—	7/8 (22)	3/8 (10)	"A"	157 (71)
FEM4X4800A	4	53-7/16 (1357)	21-1/8 (537)	19-1/4 (489)	19-1/8 (486)	19-1/2 (495)	27-1/4 (692)	26-15/16 (684)	28-5/16 (719)	—	7/8 (22)	3/8 (10)	"A"	175 (79)
FEM4X6000B	5	53-7/16 (1357)	21-1/8 (537)	19-1/4 (489)	19-1/8 (486)	19-1/2 (495)	27-1/4 (692)	26-15/16 (684)	28-5/16 (719)	—	7/8 (22)	3/8 (10)	"A"	175 (79)
FSM4X6000A FSU4X6000A	5	59-3/16 (1503)	24-11/16 (627)	22-3/4 (578)	22-11/16 (576)	25-1/4 (641)	32-15/16 (837)	32-5/8 (829)	34-1/16 (865)	—	7/8 (22)	3/8 (10)	"A"	201 (91)

PHYSICAL DATA									
Model	Size								
	1800	2400	3000	3500	3600	4200	4800	6000	
Blower Data									
CFM (L/s) [nominal]	FEM4X	600 (283)	800 (378)	1000 (472)	1200 (566)	1200 (566)	1400 (661)	1600 (755)	1750 (826)
	FSM4X, FSU4X	—	—	—	—	—	—	—	2000 (944)
Motor Type	FEM4X	ECM							
	FSM4X, FSU4X	PSC (Permanent Split Capacitor) 3-speed							
HP	FEM4X	1/3	1/3	1/3	1/2	1/2	1/2	3/4	3/4
	FSM4X, FSU4X	—	—	—	—	—	—	—	3/4
Filter Data (washable) in. (mm)									
FEM4X	13x21-1/2 (330x546)	16-3/8 x 21-1/2 (416 x 546)			19-7/8 x 21-1/2 (505 x 546)				
FSM4X, FSU4X	—	—	—	—	—	—	—	—	23-5/8x21-1/2 (600 x 546)
Coil Data - Face Area ft² (m²)									
FEM4X	2.23 (0.21)	2.97 (0.28)	2.97 (0.28)	3.46 (0.32)	4.45 (0.41)	4.45 (0.41)	5.93 (0.55)	5.93 (0.55)	
FSM4X, FSU4X	—	—	—	—	—	—	—	7.42 (0.69)	
Refrigerant Line Connections (sweat)									
FEM4X	Liquid inch (mm)	3/8 (10)							
	Suction inch (mm)	5/8 (16)	5/8 (16)	3/4 (19)	3/4 (19)	3/4 (19)	7/8 (22)	7/8 (22)	7/8 (22)
FSM4X, FSU4X	Liquid inch (mm)	—	—	—	—	—	—	—	3/8 (10)
	Suction inch (mm)	—	—	—	—	—	—	—	7/8 (22)

ELECTRICAL DATA, FAN COIL ONLY WITHOUT ELECTRIC HEAT			
Model	208/230V, single phase, 60 Hz		
	Motor Full Load Amps (FLA)	Minimum Circuit Ampacity (MCA)	Maximum Fuse/Ckt Bkr Amps (Max OverCurrent Protection - MOCP)
FEM4X1800	2.8	3.5	15
FEM4X2400	2.8	3.5	15
FEM4X3000	2.8	3.5	15
FEM4X3500	4.1	5.1	15
FEM4X3600	4.1	5.1	15
FEM4X4200	4.1	5.1	15
FEM4X4800	6.0	7.5	15
FEM4X6000	6.0	7.5	15
FSM4X6000, FSU4X6000	5.2	6.5	15

AIRFLOW PERFORMANCE – CFM at a given Speed and Static reading							
Model	Blower Speed	Measured Static Pressure, inlet to outlet (inches water column)					
		0.10	0.20	0.30	0.40	0.50	0.60
FEM4X1800	High	766	739	706	666	619	566
	Medium	701	659	619	578	538	499
	Low	614	572	530	486	441	396
FEM4X2400	High	941	905	868	830	792	753
	Medium	823	786	747	707	665	622
	Low	633	583	533	482	431	378
FEM4X3000	High	1130	1097	1063	1028	992	955
	Medium	1033	1000	965	928	888	846
	Low	840	802	760	713	663	609
FEM4X3500	High	1437	1398	1354	1308	1257	1204
	Medium	1282	1238	1192	1142	1090	1036
	Low	1168	1118	1067	1014	959	903
FEM4X3600	High	1479	1437	1392	1344	1293	1240
	Medium	1327	1282	1236	1187	1135	1081
	Low	1192	1151	1100	1039	970	890
FEM4X4200	High	1616	1578	1533	1480	1420	1353
	Medium	1479	1437	1392	1344	1293	1240
	Low	1303	1258	1211	1161	1108	1054
FEM4X4800	High	1805	1772	1739	1704	1669	1632
	Medium	1652	1617	1581	1543	1504	1463
	Low	1458	1418	1377	1335	1292	1248
AIRFLOW PERFORMANCE – CFM at a given Speed and Static reading							
Model	Blower Speed	Measured Static Pressure, inlet to outlet (inches water column)					
		0.10	0.20	0.30	0.40	0.50	0.60
FEM4X6000	Tap 5	1897	1867	1836	1808	1774	1736
	Tap 4	1817	1785	1757	1724	1693	1655
	Tap 3	1817	1785	1757	1724	1693	1655
	Tap 2	1657	1621	1589	1557	1518	1474
	Tap 1	1443	1412	1377	1332	1286	1243
AIRFLOW PERFORMANCE – CFM at a given Speed and Static reading							
Model	Blower Speed	Measured Static Pressure, inlet to outlet (inches water column)					
		0.10	0.20	0.30	0.40	0.50	0.60
FSM4X6000 FSU4X6000	High	2128	2050	1965	1875	1778	1674
	Medium	1959	1898	1829	1750	1663	1566
	Low	1748	1709	1659	1598	1525	1442

NOTES:

1. Airflow based upon dry coil at 230v with factory approved filter and electric heater (2 element heater sizes 1800 through 3600, 3 element heater sizes 4200 through 6000).
2. Airflow at 208 volts is approximately the same as 230 volts because the ECM motor is a constant torque motor. The torque doesn't drop off at the speeds the motor operates.
3. To avoid potential for condensate blowing out of drain pan prior to making drain trap: Return static pressure must be less than 0.40 in. wc. Horizontal applications of 4200 – 6000 sizes must have supply static greater than 0.20 in. wc.
4. Airflow above 400 cfm/ton on 4800 – 6000 size could result in condensate blowing off coil or splashing out of drain pan.
5. Not recommended for use above 0.60 inches water column external static pressure.
6. Shading – Airflow outside 450 cfm/ton.

STATIC PRESSURE DROP ACROSS FILTER (inches of water column)									
Model Size	CFM								
	400	600	800	1000	1200	1400	1600	1800	2000
FEM4X1800	0.020	0.044	0.075	—	—	—	—	—	—
FEM4X2400	—	0.044	0.075	0.110	—	—	—	—	—
FEM4X3000	—	—	0.048	0.072	0.100	—	—	—	—
FEM4X3500 FEM4X3600	—	—	—	0.072	0.100	0.130	—	—	—
FEM4X4200	—	—	—	—	0.070	0.092	0.120	—	—
FEM4X4800	—	—	—	—	—	0.092	0.120	0.152	—
FEM4X6000	—	—	—	—	—	—	0.086	0.105	0.130
FSM4X6000 FSU4X6000	—	—	—	—	—	—	0.120	0.152	0.187

STATIC PRESSURE CORRECTION FROM DRY TO WET COIL (inches of water column)																
Airflow performance chart above was developed using fan coils with DRY coils. When taking a static reading across a WET coil, adjust the static pressure numbers by adding the values in this table (for a given CFM, wet coil will have greater static pressure drop than dry coil).																
Model Size	CFM															
	500	600	700	800	900	1000	1100	1200	1300	1400	1500	1600	1700	1800	1900	2000
FEM4X1800	0.034	0.049	0.063	—	—	—	—	—	—	—	—	—	—	—	—	—
FEM4X2400	0.016	0.027	0.038	0.049	0.059	—	—	—	—	—	—	—	—	—	—	—
FEM4X3000	—	—	—	0.049	0.059	0.070	0.080	—	—	—	—	—	—	—	—	—
FEM4X3500	—	—	—	—	—	0.055	0.064	0.073	0.081	—	—	—	—	—	—	—
FEM4X3600	—	—	—	—	—	0.034	0.042	0.049	0.056	—	—	—	—	—	—	—
FEM4X4200	—	—	—	—	—	—	—	0.049	0.056	0.063	0.070	—	—	—	—	—
FEM4X4800	—	—	—	—	—	—	—	—	—	0.038	0.043	0.049	0.054	0.059	—	—
FEM4X6000	—	—	—	—	—	—	—	—	—	—	—	0.049	0.054	0.059	0.065	0.070
FSM4X6000 FSU4X6000	—	—	—	—	—	—	—	—	—	—	—	0.027	0.031	0.035	0.039	0.043

MINIMUM CFM WHEN USING ELECTRIC HEAT (motor speed Low except as noted)									
FEM4X FSM4X FSU4X	Heater kW								
	5	8	9	10	15	18	20	24	30
1800	525*	525*	—	600	—	—	—	—	—
2400	700‡	700‡	—	700‡	775‡	—	—	—	—
3000	875	875	—	875	875	—	1060*	—	—
3500	1050	970	970	970	920	—	1040	—	—
3600	1050	970	970	970	920	—	1040	—	—
4200	—	1225	1225	1225	1225	1225	1225	—	—
4800	—	1400	1400	1400	1400	1400	1400	1400	1400
6000	—	1750	1750	1750	1750	1750	1750	1750	1750

* Indicates Medium speed (Blue wire) for 3-speed motor

‡ Indicates Medium speed (Blue wire) for 3-speed motor

STATIC PRESSURE CORRECTION FOR ELECTRIC HEATERS (inches of water column)

Airflow performance chart was developed using fan coils with 10 kW electric heater (2 elements) in the 1800 – 3600 model sizes, and 15 kW electric heaters (3 elements) in the 4200 – 6000 model sizes. When using a different number of heater elements, adjust the static pressure numbers by adding or subtracting the values in this table (for a given CFM, more electric heater elements create higher static pressure drop).

FEM4X FSM4X FSU4X	Heater kW					
	No Heater	5	8 or 10	9 or 15	20	18, 24, or 30
	Number of Heat Elements					
	0	1	2	3	4	6
1800	+0.02	+0.01	0	-0.02	-0.04	-
2400	+0.02	+0.01	0	-0.02	-0.04	-
3000	+0.02	+0.01	0	-0.02	-0.04	-
3500	+0.02	+0.01	0	-0.02	-0.04	-
3600	+0.02	+0.01	0	-0.02	-0.04	-
4200	+0.04	-	+0.02	0	-0.02	-0.10
4800	+0.04	-	+0.02	0	-0.02	-0.10
6000	+0.04	-	+0.02	0	-0.02	-0.10

ELECTRIC HEATER ELECTRICAL DATA

Heater Model	Heater kW		PHASE	INTERNAL CIRCUIT PROTECTION	HEATER AMPS 208/230V			BRANCH CIRCUIT														
								Min Ampacity ☆ 208/230V			Min Wire Size (AWG) 208/230V ¹			Min Gnd Wire Size 208/230V			Max Fuse/Ckt Bkr Amps 208/230V			Max Wire Length 208/230V (FT) ††		
	230v	208v			Single Circuit	Dual Circuit		Single Circuit	Dual Circuit		Single Circuit	Dual Circuit		Single Circuit	Dual Circuit		Single Circuit	Dual Circuit		Single Circuit	Dual Circuit	
						L1,L2	L3,L4		L1,L2	L3,L4		L1, L2	L3, L4		L1, L2	L3,L4		L1,L2	L3,L4		L1,L2	L3,L4
EHK05AKN*	5	3.8	1	None	18.1/20.0	—	—	26.0/28.4	—	—	10/10	—	—	10/10	—	—	30/30	—	—	66/66	—	—
EHK05AKN**	5	3.8	1	None	18.1/20.0	—	—	31.2/33.5	—	—	8/8	—	—	10/10	—	—	35/35	—	—	85/88	—	—
EHK05AKB*	5	3.8	1	Ckt Bkr	18.1/20.0	—	—	26.0/28.4	—	—	10/10	—	—	10/10	—	—	30/30	—	—	66/66	—	—
EHK05AKB**	5	3.8	1	Ckt Bkr	18.1/20.0	—	—	31.2/33.5	—	—	8/8	—	—	10/10	—	—	35/35	—	—	85/88	—	—
EHK07AKN	8	6.0	1	None	28.9/32.0	—	—	44.7/48.5	—	—	8/8	—	—	10/10	—	—	45/50	—	—	59/60	—	—
EHK07AKB	8	6.0	1	Ckt Bkr	28.9/32.0	—	—	44.7/48.5	—	—	8/8	—	—	10/10	—	—	45/50	—	—	59/60	—	—
EHK09AKCN †	9	6.8	1	None	32.8/36.0	—	—	49.5/53.5	—	—	8/6	—	—	10/10	—	—	50/60	—	—	54/87	—	—
	9	6.8	3	None	18.8/20.8	—	—	32.0/34.5	—	—	8/8	—	—	10/10	—	—	35/35	—	—	83/85	—	—
EHK10AKN	10	7.5	1	None	36.2/40.0	—	—	53.8/58.5	—	—	6/6	—	—	10/10	—	—	60/60	—	—	78/80	—	—
EHK10AKB	10	7.5	1	Ckt Bkr	36.2/40.0	—	—	53.8/58.5	—	—	6/6	—	—	10/10	—	—	60/60	—	—	78/80	—	—
EHK15AKF	15	11.3	1	Fuse	54.2/59.9	36.2/40.0	18.1/20.0	76.3/83.4	53.8/58.5	22.7/25.0	4/4	6/6	10/10	8/8	10/10	10/10	80/90	60/60	25/25	88/89	78/80	75/76
EHK15AKB	15	11.3	1	Ckt Bkr	—	36.2/40.0	18.1/20.0	—	53.8/58.5	22.7/25.0	—	6/6	10/10	—	10/10	10/10	—	60/60	25/25	—	78/80	75/76
EHK15AHN	15	11.3	3	None	31.3/34.6	—	—	47.7/51.8	—	—	8/6	—	—	10/10	—	—	50/60	—	—	56/90	—	—
EHK18AHN	18	13.5	3	None	37.6/41.5	—	—	55.5/60.4	—	—	6/6	—	—	10/8	—	—	60/70	—	—	76/77	—	—
EHK20AKF	20	15.0	1	Fuse	72.3/79.9	36.2/40.0	36.2/40.0	98.9/108.4	53.8/58.5	45.3/50.0	3/2	6/6	8/8	8/6	10/10	10/10	100/110	60/60	50/50	85/109	78/80	59/59
EHK20AKB	20	15.0	1	Ckt Bkr	—	36.2/40.0	36.2/40.0	—	53.8/58.5	45.3/50.0	—	6/6	8/8	—	10/10	10/10	—	60/60	50/50	—	78/80	59/59
EHK25AHCF †	24	18.0	3	Fuse	50.1/55.4	—	—	71.2/77.8	—	—	4/4	—	—	8/8	—	—	80/80	—	—	94/95	—	—
	24	18.0	1	Fuse	86.7/95.5	—	—	116.9/127.9	—	—	1/1	—	—	6/6	—	—	125/150	—	—	115/116	—	—
EHK30AHCF †	30	22.5	3	Fuse	62.6/69.2	—	—	86.8/95.0	—	—	3/3	—	—	8/8	—	—	90/100	—	—	97/98	—	—
	30	22.5	1	Fuse	109.0/120.0	—	—	144.8/158.5	—	—	0/00	—	—	6/6	—	—	150/175	—	—	117/150	—	—

FIELD MULTIPOINT WIRING OR 24 AND 30 KW SINGLE PHASE

Heater Model	Heater kW		P H A S E	Heater Amps 208/230V			Minimum Circuit Ampacity 208/230V ☆			Minimum Wire Size (AWG) 208/230V †			Min Gnd Wire Size 208/230V	Max Fuse/Ckt Bkr Amps 208/230V			Max Wire Length 208/230V (FT) ††		
	230V	208V		L1, L2	L3, L4	L5, L6	L1, L2	L3, L4	L5, L6	L1, L2	L3, L4	L5, L6		L1, L2	L3, L4	L5, L6	L1, L2	L3, L4	L5, L6
EHK25AHCF †	24	18.0	1	28.9/32.0	28.9/32.0	28.9/32.0	44.7/48.5	36.2/40.0	36.2/40.0	8/8	8/8	8/8	10/10	45/50	40/40	40/40	59/60	73/73	73/73
EHK30AHCF †	30	22.5	1	36.2/40.0	36.2/40.0	36.2/40.0	53.8/58.5	45.3/50.0	45.3/50.0	6/6	8/8	8/8	10/10	60/60	50/50	50/50	78/80	59/59	59/59

Notes:

- ¹ Copper wire must be used. If other than uncoated (non-plated), 75° C ambient, copper wire (solid wire for 10 AWG and smaller, stranded wire for larger than 10 AWG) is used, consult applicable tables of the National Electric Code (ANSI/NFPA 70).
- * When used with Fan Coil model sizes 2400, 3600.
- ** When used with Fan Coil model sizes 4200, 4800.
- ☆ Includes blower motor amps of largest Fan Coil used with heater.
- † Supplied as single phase, field convertible to 3-phase.
- ‡ Supplied as 3-phase, field convertible to single phase, single or multiple supply circuits.
- †† Length shown is as measured one way along wire path between unit and service panel for a voltage drop not to exceed 2%.

ACCESSORIES				
Part Number	Description	Use with Model Sizes		
		FEM4X	FSM4X	FSU4X
EBAC01DSC	Disconnect Kit	Use with All Heaters 5kW thru 10kW		
EBAC01NCB	Downflow Base Kit	1800	—	—
EBAC02NCB		2400, 3000	—	—
EBAC03NCB		3500, 3600, 4200, 4800	—	—
EBAC04NCB		6000	6000	6000
EBAC01DFS	Downflow Conversion Kit Slope Coil	1800, 2400, 3000, 3500	—	—
EBAC02DFA	Downflow Conversion Kit A-Coil	3600, 4200, 4800, 6000	6000	6000
EBAC01SPK	Single Point Wiring Kit	Only for use with 15kW and 20kW fused heaters		
AMFK20SPA or Square D® part #QOU14100JBAF	Single Point Wiring Kit Square D® Jumper Bar Assembly	All – Only for use with EHK15AKB and EHK20AKB breaker heaters		
EBAC01FKS	Filter Kit (washable, box of 12)	1800‡	—	—
EBAC01FKM		2400‡, 3000‡	—	—
EBAC01FKL		3500‡, 3600‡, 4200‡, 4800‡, 6000	—	—
EBAC01FKX		—	6000‡	6000
EBAC01PLG		No Heat (Plug) Kit (box of 6)	ALL (Factory Installed)	ALL (Factory Installed)
EBAC01CTK	PVC Condensate Trap (box of 50)	ALL	ALL	ALL
EBAC01GSK	Horizontal & Downflow Gasket Kit	ALL (required for horizontal right and downflow)	ALL (required for horizontal right and downflow)	ALL

‡Factory supplied

ELECTRIC HEATERS for FEM4X, FSM4X, FSU4X		
Part Number	Description	Use with
EHK05AKN	5 kW, single phase, no internal circuit protection	ALL
EHK05AKB	5 kW, single phase, with circuit breakers	ALL
EHK07AKN	8 kW, single phase, no internal circuit protection	ALL
EHK07AKB	8 kW, single phase, with circuit breakers	ALL
EHK09AKCN	9 kW, supplied as single phase, field convertible to 3-phase, no internal circuit protection	3500, 3600, 4200, 4800, 6000
EHK10AKN	10 kW, single phase, no internal circuit protection	ALL
EHK10AKB	10 kW, single phase, with circuit breakers	ALL
EHK15AKF	15 kW, single phase, with fuses	2400, 3000, 3500, 3600, 4200, 4800, 6000
EHK15AKB	15 kW, single phase, with circuit breakers	2400, 3000, 3500, 3600, 4200, 4800, 6000
EHK15AHN	15 kW, 3-phase, no internal circuit protection	3500, 3600, 4200, 4800, 6000
EHK18AHN	18 kW, 3-phase, no internal circuit protection	4200, 4800, 6000
EHK20AKF	20 kW, single phase, with fuses	3000, 3500, 3600, 4200, 4800, 6000
EHK20AKB	20 kW, single phase, with circuit breakers	3000, 3500, 3600, 4200, 4800, 6000
EHK25AHCF	2400 kW, supplied as 3-phase, field convertible to single phase, with fuses	4800, 6000
EHK30AHCF	30 kW, supplied as 3-phase, field convertible to single phase, with fuses	4800, 6000

International Comfort Products, LLC
 Lewisburg, Tennessee 37091 USA
www.GoKeeprite.com