

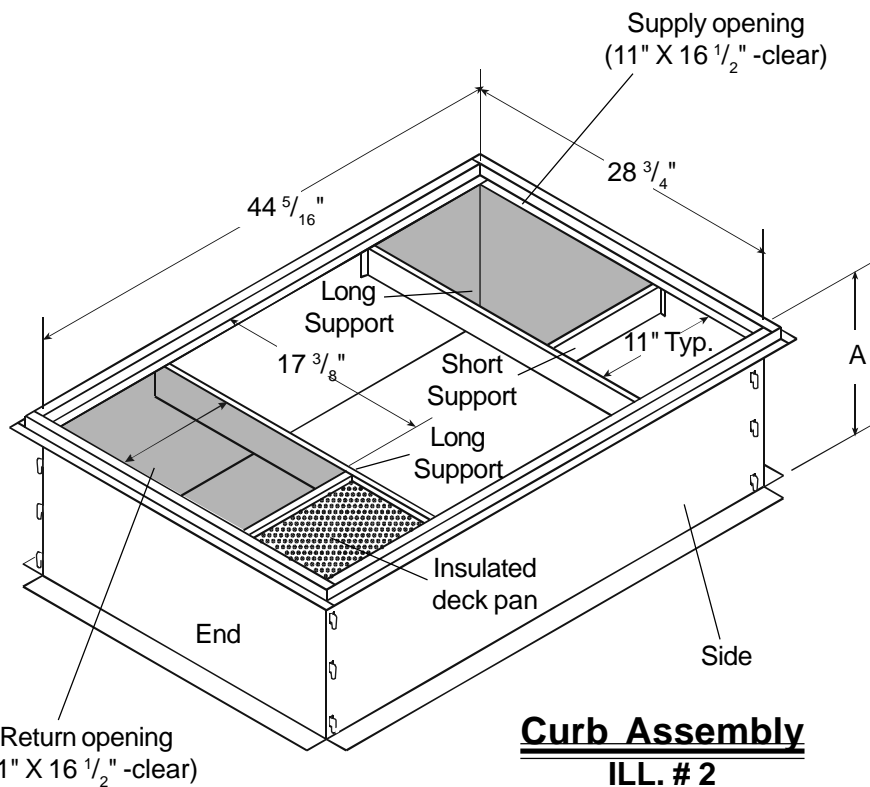
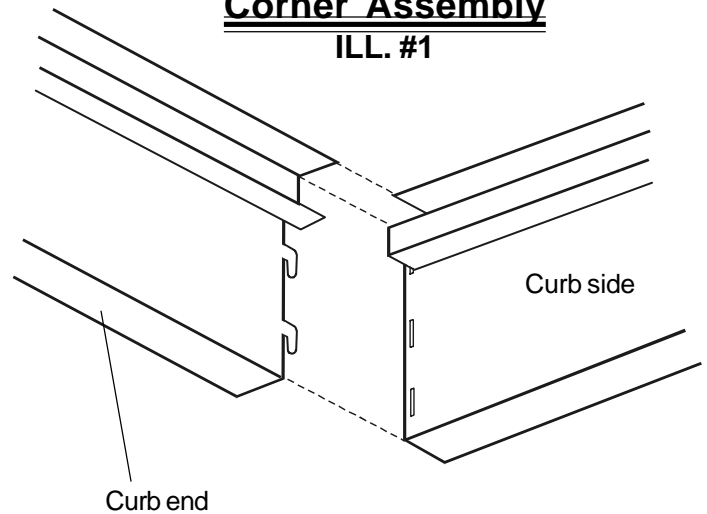
ICP accessories simplify and minimize installation procedures on rooftop applications. Read these instructions carefully before beginning.

Roofcurb Assembly

1. Remove roofcurb from it's shipping package.
2. Bring together one curb end and one curb side as shown in ILL. 1. Insert curb end tabs into slots on curb side. Push down until tab locks in place. It may be necessary to firmly step on top of the curb.
4. For safety sake, if you are going to lift this curb after it is assembled, hammer over each corner tab to the side.

Corner Assembly

ILL. #1

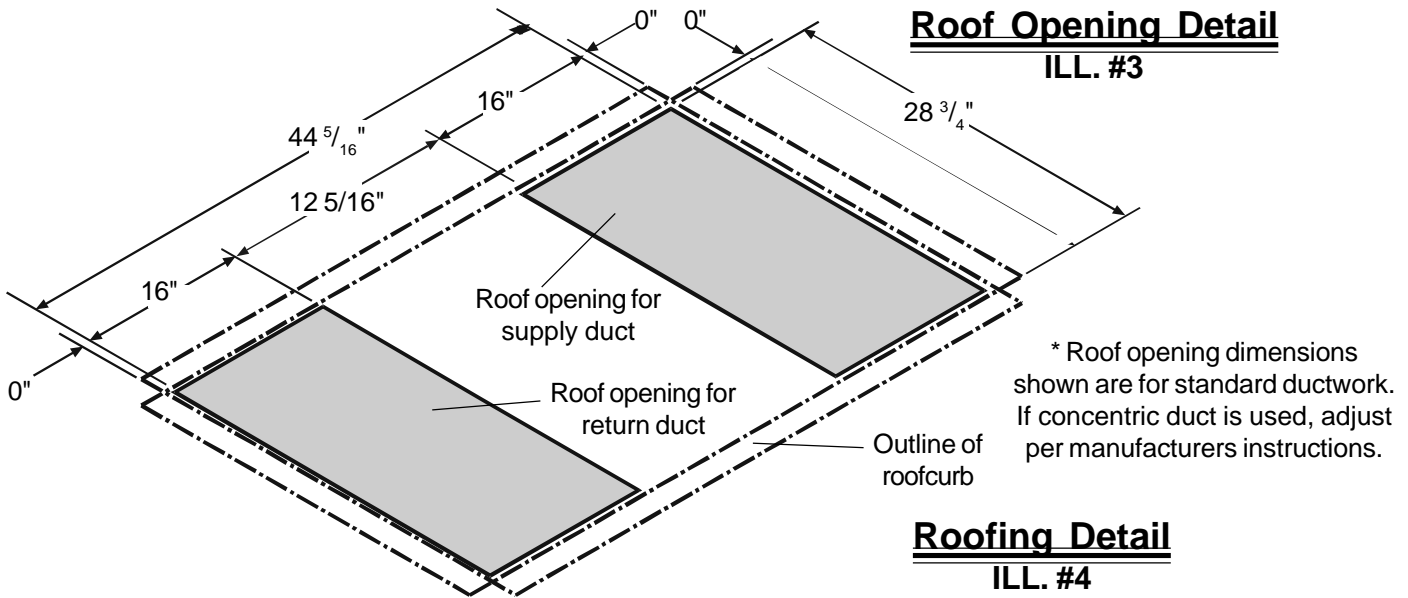


Curb Assembly

ILL. # 2

5. Install (2) long supports and (1) short support into roofcurb. Attach through pre-punched holes. (ILL. 2)
6. Install deck pan into curb with **insulation side up**. Screw in place through pre-punched holes.

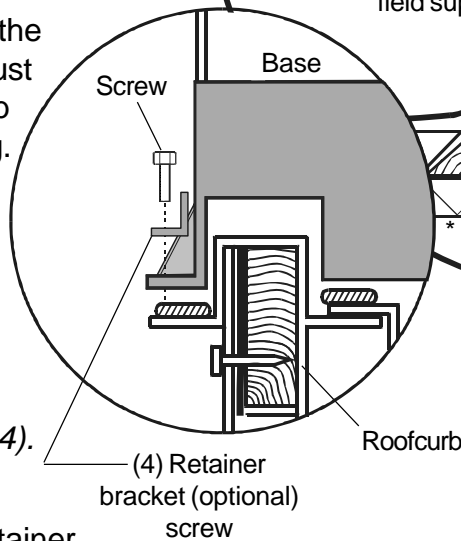
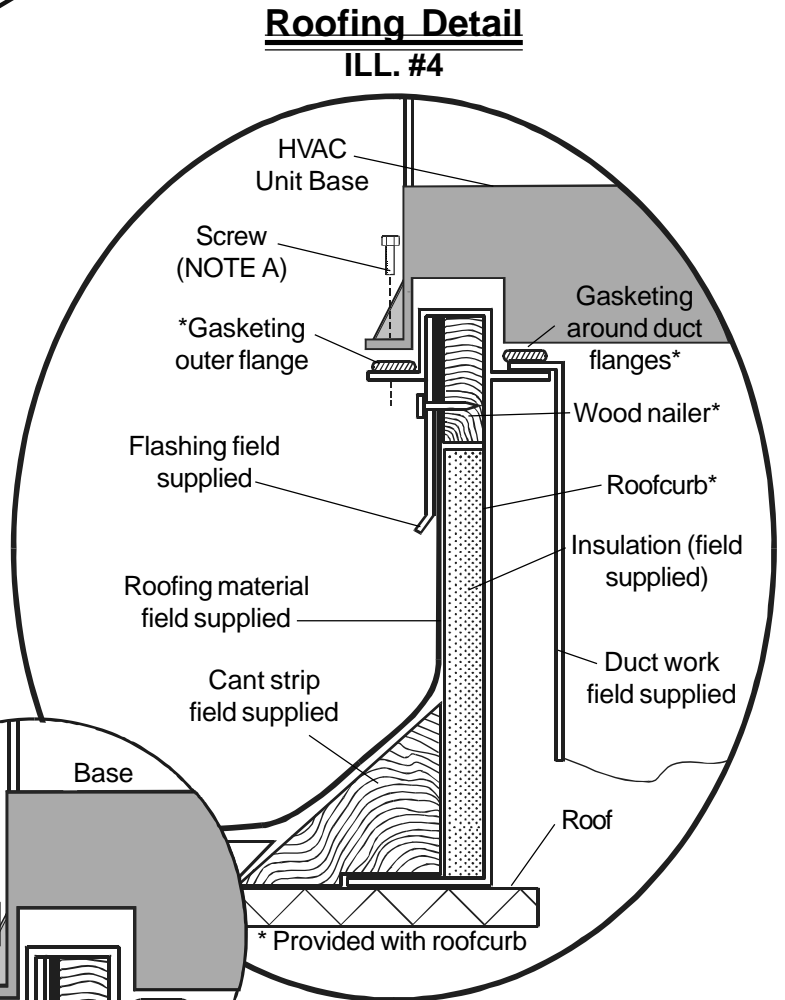
Roofcurb No.	A
NPRCURB006A00	8"
NPRCURB007A00	14"
N/A	24"



7. Care must be exercised when determining location of HVAC unit. The unit must cross enough roof supports to safely distribute system weight. (Refer to HVAC unit specs for weights.)
8. Cut roof opening per dimensions above, ILL. 3. Note: some special concentric duct system may require larger openings. Refer to duct instructions.
9. Square up roofcurb assembly by measuring diagonally across corners, and set in place over roof openings.
10. Insulate and add cant strip to the roofcurb, ILL.4. The roofing must extend up to the top of the curb and be secured under flashing. Follow applicable roofing codes.

NOTE A:

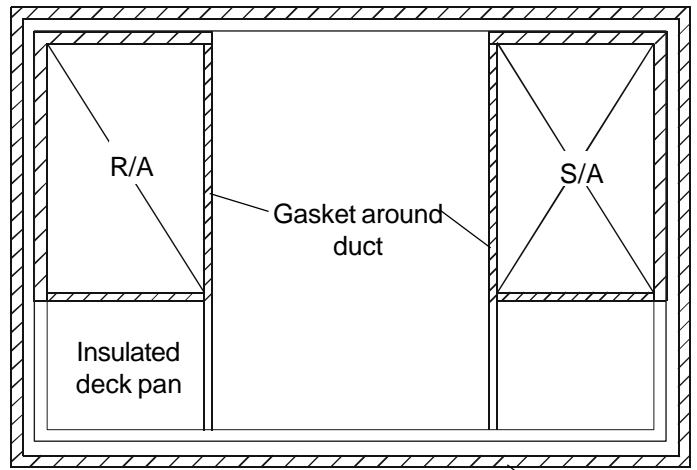
The HVAC unit can be mechanically attached to the curb by screwing through the base and into the curb (ILL. #4).



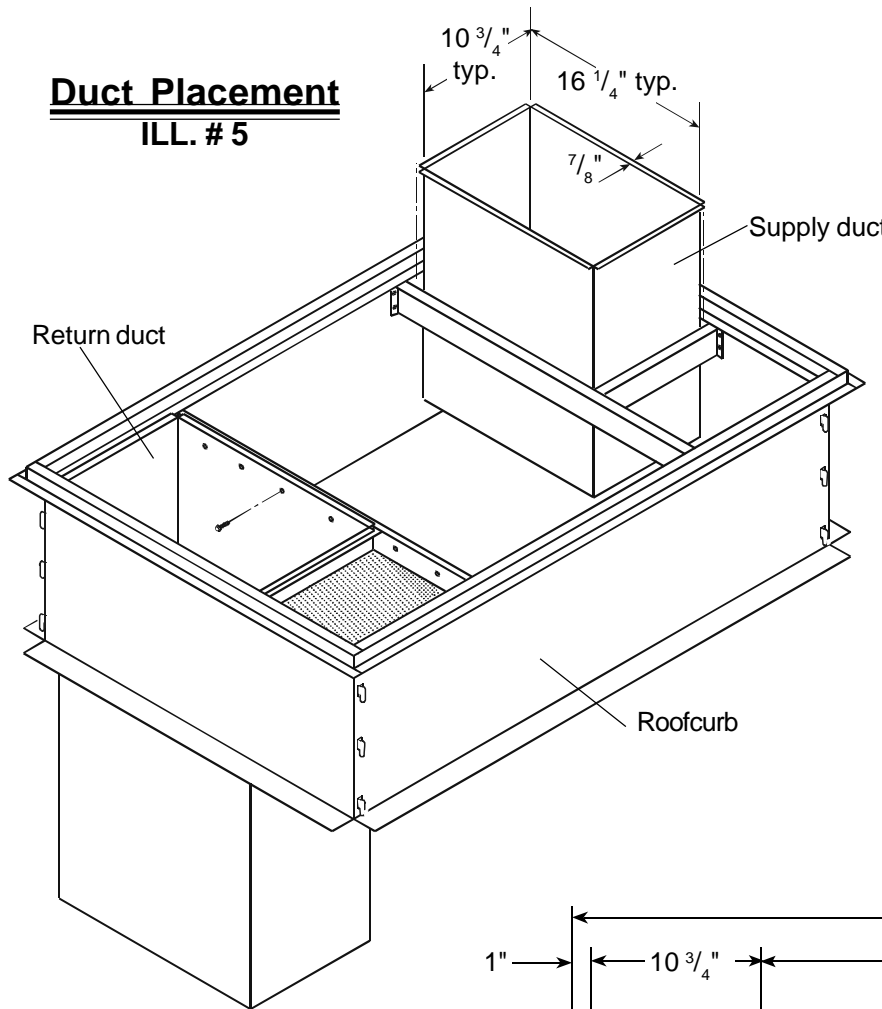
Optional Hold-down Bracket Detail

11. **Optional.** The (4) optional retainer brackets are installed in each corner of the base. Screw in place. Refer to detail.

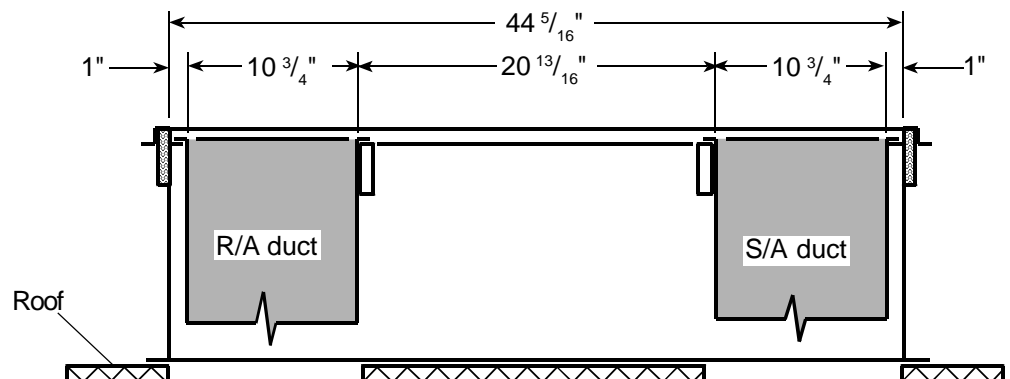
12. Manufacture supply and return duct work per ILL. 5. Internally insulate. Top flange of duct should be $7/8$ " maximum (ILL. 5).
13. After duct work has been installed, attach gasketing (provided) to the **outer flanges of roofcurb**. Also install gasketing around top perimeter of duct work, ILL. 4 & 6.
14. Carefully set HVAC unit in place on top of the curb.



Gasketing Detail
(Top view)
ILL. # 6



Duct Placement
ILL. # 5



Side View A-A
ILL. # 7

For Use with MicroMetl Flex Duct Type Concentric Package:

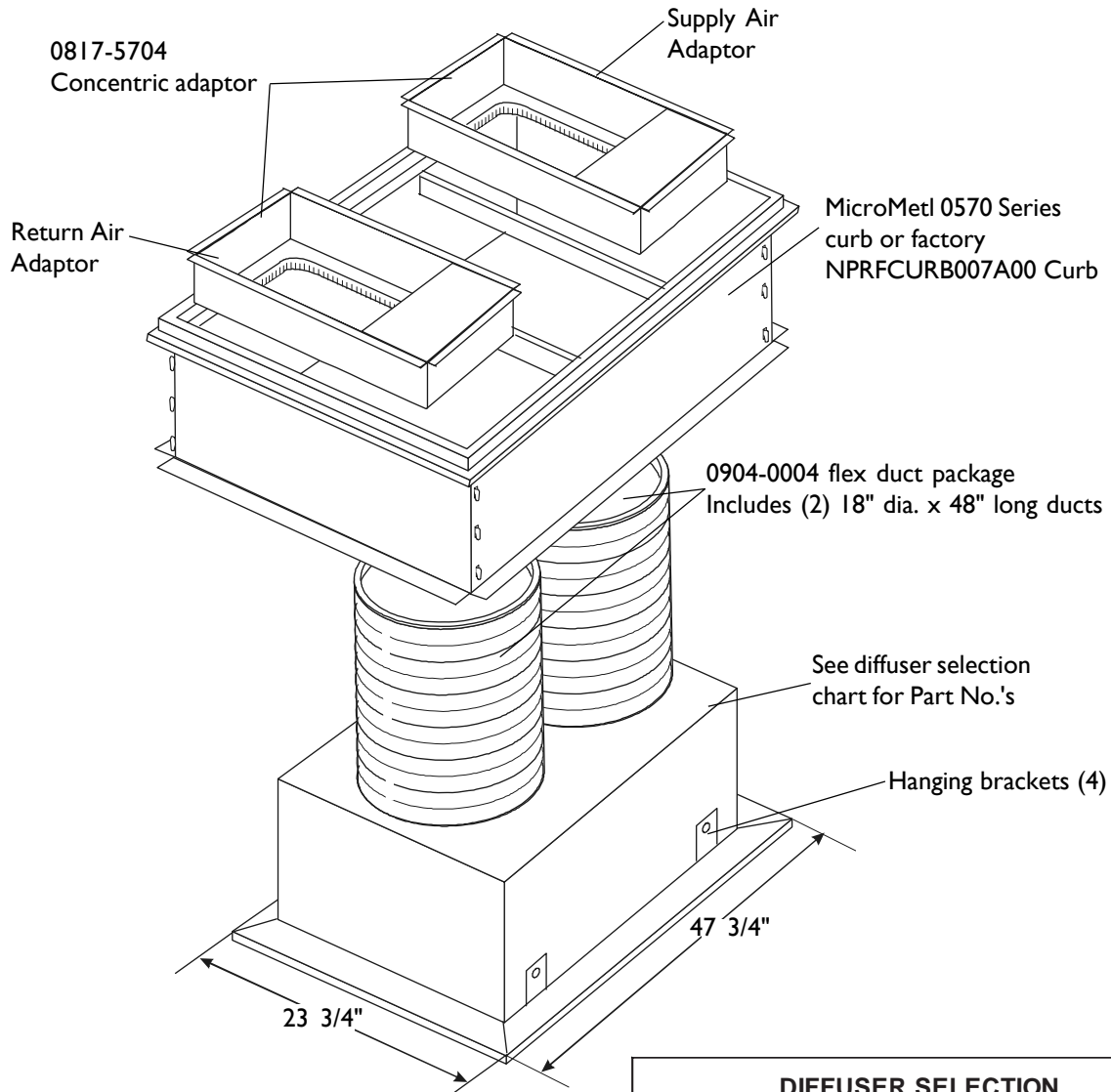
1. Remove and discard the insulated deck pan and the short support shipped with the roofcurb. (Refer to ILL. 2 for part identification.)
2. Attach the flex duct to the concentric adaptor. Tape and screw together. Drop the adaptor down through the curb openings. Gasket top flanges of concentric adaptor.

3. Set the diffuser in place and secure from the building structure. Use hanging brackets for support.

NOTE:

Do not attempt to support the weight of the diffuser from the flex duct.

4. Connect the flex duct to the diffuser collars. Tape and screw together.



DIFFUSER SELECTION	
Flush Mount, Fixed Blade	1017-200A
Drop Type	1018-200A