

**CRHEATER270A00-
 CRHEATER287A00
 CRHEATER302A00-
 CRHEATER307A00
 CRHEATER309A00-
 CRHEATER314A00**

**ELECTRIC HEATER ACCESSORY
 SINGLE PACKAGE ROOFTOP UNITS
 SELECT 12.5 to 27.5 TONS**

Installation Instructions

TABLE OF CONTENTS

SAFETY CONSIDERATIONS 1
 GENERAL 1
 MODEL/CAPACITY TABLES 2-16
 INSTALLATION 17
 START UP 19
 WIRING DIAGRAMS 20-31

IMPORTANT: Read these instructions completely before attempting to install the accessory electric heater.

The electric heater accessory is used on the following units:


MODEL			CAPACITY (TONS)
50LC	-	-	12.5-23
50TC	558J	-	15-27.5
50HC	551J	-	15-25
RAS	RAH	-	15-25
50TCQ	548J	RHS	15-20

SAFETY CONSIDERATIONS

Installation and servicing of air-conditioning equipment can be hazardous due to system pressure and electrical components. Only trained and qualified service personnel should install, repair, or service air-conditioning equipment.

Untrained personnel can perform the basic maintenance functions. All other operations should be performed by trained service personnel. When working on air-conditioning equipment, observe precautions in the literature, tags and labels attached to the unit, and other safety precautions that may apply.

Follow all safety codes. Wear safety glasses and work gloves.

Recognize safety information. This is the safety-alert symbol . When you see this symbol on the unit and in instructions or manuals, be alert to the potential for personal injury.

Understand the signal words DANGER, WARNING, and CAUTION. These words are used with the safety-alert symbol. DANGER identifies the most serious hazards which **will** result in severe personal injury or death. WARNING signifies a hazard which **could** result in personal injury or death. CAUTION is used to identify unsafe practices which **may** result in minor personal injury or product and property damage. NOTE is used to highlight suggestions which **will** result in enhanced installation, reliability, or operation.

WARNING

ELECTRICAL SHOCK HAZARD

Failure to follow this warning could result in personal injury and/or death.

Before beginning any modification, disconnect power supply and install lockout tag before attempting to install the accessory. All wiring must comply with applicable national and local codes.

WARNING

PERSONAL INJURY AND EQUIPMENT DAMAGE HAZARD

Failure to follow this warning could result in personal injury and/or death and damage to equipment.

Field modification of electric heat staging may result in the overriding of electric heat safety switches and is prohibited.

GENERAL

This installation instruction covers accessory heaters CRHEATER270A00 through CRHEATER287A00, CRHEATER302A00 through CRHEATER307A00, CRHEATER309A00 through CRHEATER314A00. Each kit contains the heater module, wire ties, and three 1/4-20 nuts. See Tables 1 - 11 for unit electrical data and kit usage.

NOTE: All vertical supply units with electric heat require a field-supplied 90-degree elbow. The elbow must be installed in the supply ductwork below the unit discharged connection.

NOTE: Check Tables 1 - 11 for the correct Single Point kit to use when single point power entry is desired. The single point kit required varies with the specific heater accessory used.

NOTE: For units equipped with a non fused disconnect switch, the disconnect must be adequately sized for the electric heater. If the disconnect switch supplied with the equipment is not sized to handle the ampacity of the Electric Heater Accessory kit for cooling units or the Electric Heater Accessory kit plus the unit ampacity for heat pump units, the Electric heater kit must be wired to a separate disconnect switch sized to handle the Electric Heater Accessory kit ampacity. Refer to the unit's nameplate or the Product Data for the unit.

Table 1 – 15 Ton Capacity Models / Horizontal Duct Configuration

NOM. V-Ph-Hz	IFM TYPE	ELECTRIC HEATER PN	MODEL	NOMINAL kW	STAGES	SINGLE POINT KIT
208/230-3-60	STD	CRHEATER270A00	50TC/50TCQ/558J/548J/RAS/RHS	25.0	2	Not Required ³
			50HC/551J/RAH			
		CRHEATER271A00	50TC/50TCQ/558J/548J/RAS/RHS	50.0	2	CRSINGLE056A00
			50HC/551J/RAH			
		CRHEATER272A00	50TC/50TCQ/558J/548J/RAS/RHS	75.0	2	CRSINGLE056A00
			50HC/551J/RAH			
	MED	CRHEATER270A00	50TC/50TCQ/558J/548J/RAS/RHS	25.0	2	Not Required ³
			50HC/551J/RAH			
		CRHEATER271A00	50TC/50TCQ/558J/548J/RAS/RHS	50.0	2	CRSINGLE056A00
			50HC/551J/RAH			
		CRHEATER272A00	50TC/50TCQ/558J/548J/RAS/RHS	75.0	2	CRSINGLE056A00
			50HC/551J/RAH			
HIGH	CRHEATER270A00	50TC/50TCQ/558J/548J/RAS/RHS	25.0	2	Not Required ³	
		50HC/551J/RAH				
	CRHEATER271A00	50TC/50TCQ/558J/548J/RAS/RHS	50.0	2	CRSINGLE056A00	
		50HC/551J/RAH				
	CRHEATER272A00	50TC/50TCQ/558J/548J/RAS/RHS	75.0	2	CRSINGLE056A00	
		50HC/551J/RAH				
460-3-60	STD	CRHEATER273A00	50TC/50TCQ/558J/548J/RAS/RHS	25.0	2	Not Required ⁴
			50HC/551J/RAH			
		CRHEATER274A00	50TC/50TCQ/558J/548J/RAS/RHS	50.0	2	Not Required ^{1, 4}
			50HC/551J/RAH			
		CRHEATER275A00	50TC/50TCQ/558J/548J/RAS/RHS	75.0	2	CRSINGLE057A00
			50HC/551J/RAH			
	MED	CRHEATER273A00	50TC/50TCQ/558J/548J/RAS/RHS	25.0	2	Not Required ⁴
			50HC/551J/RAH			
		CRHEATER274A00	50TC/50TCQ/558J/548J/RAS/RHS	50.0	2	CRSINGLE057A00
			50HC/551J/RAH			
		CRHEATER275A00	50TC/50TCQ/558J/548J/RAS/RHS	75.0	2	CRSINGLE057A00
			50HC/551J/RAH			
	HIGH	CRHEATER273A00	50TC/50TCQ/558J/548J/RAS/RHS	25.0	2	Not Required ⁴
			50HC/551J/RAH			
		CRHEATER274A00	50TC/50TCQ/558J/548J/RAS/RHS	50.0	2	CRSINGLE057A00
			50HC/551J/RAH			
		CRHEATER275A00	50TC/50TCQ/558J/548J/RAS/RHS	75.0	2	CRSINGLE057A00
			50HC/551J/RAH			
400-3-50	STD	CRHEATER273A00	50TC	17.4	2	Not Required
		CRHEATER274A00	50TC	34.7	2	Not Required ¹
		CRHEATER275A00	50TC	52.1	2	CRSINGLE057A00
	MED	CRHEATER273A00	50TC	17.4	2	Not Required
		CRHEATER274A00	50TC	34.7	2	Not Required ¹
		CRHEATER275A00	50TC	52.1	2	CRSINGLE057A00
	HIGH	CRHEATER273A00	50TC	17.4	2	Not Required
		CRHEATER274A00	50TC	34.7	2	CRSINGLE057A00
		CRHEATER275A00	50TC	52.1	2	CRSINGLE057A00
575-3-60	STD	CRHEATER276A00	50TC/50TCQ/558J/548J/RAS/RHS	24.8	2	Not Required
			50HC/551J/RAH			
		CRHEATER277A00	50TC/50TCQ/558J/548J/RAS/RHS	49.6	2	Not Required ^{2, 4}
			50HC/551J/RAH			
		CRHEATER278A00	50TC/50TCQ/558J/548J/RAS/RHS	74.4	2	CRSINGLE057A00
			50HC/551J/RAH			
	MED	CRHEATER276A00	50TC/50TCQ/558J/548J/RAS/RHS	24.8	2	Not Required
			50HC/551J/RAH			
		CRHEATER277A00	50TC/50TCQ/558J/548J/RAS/RHS	49.6	2	Not Required ^{2, 4}
			50HC/551J/RAH			
		CRHEATER278A00	50TC/50TCQ/558J/548J/RAS/RHS	74.4	2	CRSINGLE057A00
			50HC/551J/RAH			
	HIGH	CRHEATER276A00	50TC/50TCQ/558J/548J/RAS/RHS	24.8	2	Not Required
			50HC/551J/RAH			
		CRHEATER277A00	50TC/50TCQ/558J/548J/RAS/RHS	49.6	2	Not Required ^{1, 4}
50HC/551J/RAH						
CRHEATER278A00		50TC/50TCQ/558J/548J/RAS/RHS	74.4	2	CRSINGLE057A00	
		50HC/551J/RAH				

¹ CRSINGLE057A00 required with power exhaust

² CRSINGLE057A00 required with combination of power exhaust and powered convenience outlet

³ CRSINGLE056A00 required for 50TCQ/548J/RHS units

⁴ CRSINGLE057A00 required for 50TCQ/548J/RHS units

Table 2 – 15 Ton Capacity Models / Vertical Duct Configuration

NOM. V-Ph-Hz	IFM TYPE	ELECTRIC HEATER PN	MODEL	NOMINAL kW	STAGES	SINGLE POINT KIT
208/230-3-60	STD	CRHEATER279A00	50TC/50TCQ/558J/548J/RAS/RHS	25.0	2	Not Required ³
			50HC/551J/RAH			
		CRHEATER280A00	50TC/50TCQ/558J/548J/RAS/RHS	50.0	2	CRSINGLE056A00
			50HC/551J/RAH			
		CRHEATER281A00	50TC/50TCQ/558J/548J/RAS/RHS	75.0	2	CRSINGLE056A00
			50HC/551J/RAH			
	MED	CRHEATER279A00	50TC/50TCQ/558J/548J/RAS/RHS	25.0	2	Not Required ³
			50HC/551J/RAH			
		CRHEATER280A00	50TC/50TCQ/558J/548J/RAS/RHS	50.0	2	CRSINGLE056A00
			50HC/551J/RAH			
		CRHEATER281A00	50TC/50TCQ/558J/548J/RAS/RHS	75.0	2	CRSINGLE056A00
			50HC/551J/RAH			
HIGH	CRHEATER279A00	50TC/50TCQ/558J/548J/RAS/RHS	25.0	2	Not Required ³	
		50HC/551J/RAH				
	CRHEATER280A00	50TC/50TCQ/558J/548J/RAS/RHS	50.0	2	CRSINGLE056A00	
		50HC/551J/RAH				
	CRHEATER281A00	50TC/50TCQ/558J/548J/RAS/RHS	75.0	2	CRSINGLE056A00	
		50HC/551J/RAH				
460-3-60	STD	CRHEATER282A00	50TC/50TCQ/558J/548J/RAS/RHS	25.0	2	Not Required ⁴
			50HC/551J/RAH			
		CRHEATER283A00	50TC/50TCQ/558J/548J/RAS/RHS	50.0	2	Not Required ^{1, 4}
			50HC/551J/RAH			
		CRHEATER284A00	50TC/50TCQ/558J/548J/RAS/RHS	75.0	2	CRSINGLE057A00
			50HC/551J/RAH			
	MED	CRHEATER282A00	50TC/50TCQ/558J/548J/RAS/RHS	25.0	2	Not Required ⁴
			50HC/551J/RAH			
		CRHEATER283A00	50TC/50TCQ/558J/548J/RAS/RHS	50.0	2	CRSINGLE057A00
			50HC/551J/RAH			
		CRHEATER284A00	50TC/50TCQ/558J/548J/RAS/RHS	75.0	2	CRSINGLE057A00
			50HC/551J/RAH			
HIGH	CRHEATER282A00	50TC/50TCQ/558J/548J/RAS/RHS	25.0	2	Not Required ⁴	
		50HC/551J/RAH				
	CRHEATER283A00	50TC/50TCQ/558J/548J/RAS/RHS	50.0	2	CRSINGLE057A00	
		50HC/551J/RAH				
	CRHEATER284A00	50TC/50TCQ/558J/548J/RAS/RHS	75.0	2	CRSINGLE057A00	
		50HC/551J/RAH				
400-3-50	STD	CRHEATER282A00	50TC	17.4	2	Not Required
		CRHEATER283A00	50TC	34.7	2	Not Required ¹
		CRHEATER284A00	50TC	52.0	2	CRSINGLE057A00
	MED	CRHEATER282A00	50TC	17.4	2	Not Required
		CRHEATER283A00	50TC	34.7	2	Not Required ¹
		CRHEATER284A00	50TC	52.0	2	CRSINGLE057A00
	HIGH	CRHEATER282A00	50TC	17.4	2	Not Required
		CRHEATER283A00	50TC	34.7	2	CRSINGLE057A00
		CRHEATER284A00	50TC	52.0	2	CRSINGLE057A00
575-3-60	STD	CRHEATER285A00	50TC/50TCQ/558J/548J/RAS/RHS	24.8	2	Not Required
			50HC/551J/RAH			
		CRHEATER286A00	50TC/50TCQ/558J/548J/RAS/RHS	49.6	2	Not Required ^{2, 4}
			50HC/551J/RAH			
		CRHEATER287A00	50TC/50TCQ/558J/548J/RAS/RHS	74.4	2	CRSINGLE057A00
			50HC/551J/RAH			
	MED	CRHEATER285A00	50TC/50TCQ/558J/548J/RAS/RHS	24.8	2	Not Required
			50HC/551J/RAH			
		CRHEATER286A00	50TC/50TCQ/558J/548J/RAS/RHS	49.6	2	Not Required ^{2, 4}
			50HC/551J/RAH			
		CRHEATER287A00	50TC/50TCQ/558J/548J/RAS/RHS	74.4	2	CRSINGLE057A00
			50HC/551J/RAH			
HIGH	CRHEATER285A00	50TC/50TCQ/558J/548J/RAS/RHS	24.8	2	Not Required	
		50HC/551J/RAH				
	CRHEATER286A00	50TC/50TCQ/558J/548J/RAS/RHS	49.6	2	Not Required ^{1, 4}	
		50HC/551J/RAH				
	CRHEATER287A00	50TC/50TCQ/558J/548J/RAS/RHS	74.4	2	CRSINGLE057A00	
		50HC/551J/RAH				

CRHEATER

¹ CRSINGLE057A00 required with power exhaust

² CRSINGLE057A00 required with combination of power exhaust and powered convenience outlet

³ CRSINGLE056A00 required for 50TCQ/548J/RHS units

⁴ CRSINGLE057A00 required for 50TCQ/548J/RHS units

Table 3 – 17.5 Ton Capacity Models / Horizontal Duct Configuration

NOM. V-Ph-Hz	IFM TYPE	ELECTRIC HEATER PN	MODEL	NOMINAL kW	STAGES	SINGLE POINT KIT
208/230-3-60	STD	CRHEATER270A00	50TC/558J/RAS	25.0	2	Not Required
			50HC/551J/RAH			
		CRHEATER271A00	50TC/558J/RAS	50.0	2	CRSINGLE056A00
			50HC/551J/RAH			
		CRHEATER272A00	50TC/558J/RAS	75.0	2	CRSINGLE056A00
			50HC/551J/RAH			
	MED	CRHEATER270A00	50TC/558J/RAS	25.0	2	Not Required
			50HC/551J/RAH			
		CRHEATER271A00	50TC/558J/RAS	50.0	2	CRSINGLE056A00
			50HC/551J/RAH			
		CRHEATER272A00	50TC/558J/RAS	75.0	2	CRSINGLE056A00
			50HC/551J/RAH			
HIGH	CRHEATER270A00	50TC/558J/RAS	25.0	2	Not Required	
		50HC/551J/RAH				
	CRHEATER271A00	50TC/558J/RAS	50.0	2	CRSINGLE056A00	
		50HC/551J/RAH				
	CRHEATER272A00	50TC/558J/RAS	75.0	2	CRSINGLE056A00	
		50HC/551J/RAH				
460-3-60	STD	CRHEATER273A00	50TC/558J/RAS	25.0	2	Not Required
			50HC/551J/RAH			
		CRHEATER274A00	50TC/558J/RAS	50.0	2	CRSINGLE057A00
			50HC/551J/RAH			
		CRHEATER275A00	50TC/558J/RAS	75.0	2	CRSINGLE057A00
			50HC/551J/RAH			
	MED	CRHEATER273A00	50TC/558J/RAS	25.0	2	Not Required
			50HC/551J/RAH			
		CRHEATER274A00	50TC/558J/RAS	50.0	2	CRSINGLE057A00
			50HC/551J/RAH			
		CRHEATER275A00	50TC/558J/RAS	75.0	2	CRSINGLE057A00
			50HC/551J/RAH			
HIGH	CRHEATER273A00	50TC/558J/RAS	25.0	2	Not Required	
		50HC/551J/RAH				
	CRHEATER274A00	50TC/558J/RAS	50.0	2	CRSINGLE057A00	
		50HC/551J/RAH				
	CRHEATER275A00	50TC/558J/RAS	75.0	2	CRSINGLE057A00	
		50HC/551J/RAH				
400-3-50	STD	CRHEATER273A00	50TC	17.4	2	Not Required
		CRHEATER274A00	50TC	34.7	2	Not Required ¹
		CRHEATER275A00	50TC	52.1	2	CRSINGLE057A00
	MED	CRHEATER273A00	50TC	17.4	2	Not Required
		CRHEATER274A00	50TC	34.7	2	CRSINGLE057A00
		CRHEATER275A00	50TC	52.1	2	CRSINGLE057A00
	HIGH	CRHEATER273A00	50TC	17.4	2	Not Required
		CRHEATER274A00	50TC	34.7	2	CRSINGLE057A00
		CRHEATER275A00	50TC	52.1	2	CRSINGLE057A00
575-3-60	STD	CRHEATER276A00	50TC/558J/RAS	24.8	2	Not Required
			50HC/551J/RAH			
		CRHEATER277A00	50TC/558J/RAS	49.6	2	Not Required ²
			50HC/551J/RAH			
		CRHEATER278A00	50TC/558J/RAS	74.4	2	CRSINGLE057A00
			50HC/551J/RAH			
	MED	CRHEATER276A00	50TC/558J/RAS	24.8	2	Not Required
			50HC/551J/RAH			
		CRHEATER277A00	50TC/558J/RAS	49.6	2	Not Required ¹
			50HC/551J/RAH			
		CRHEATER278A00	50TC/558J/RAS	74.4	2	CRSINGLE057A00
			50HC/551J/RAH			
HIGH	CRHEATER276A00	50TC/558J/RAS	24.8	2	Not Required	
		50HC/551J/RAH				
	CRHEATER277A00	50TC/558J/RAS	49.6	2	Not Required ¹	
		50HC/551J/RAH				
	CRHEATER278A00	50TC/558J/RAS	74.4	2	CRSINGLE057A00	
		50HC/551J/RAH				

¹ CRSINGLE057A00 required with power exhaust

² CRSINGLE057A00 required with combination of power exhaust and powered convenience outlet

Table 4 – 17.5 Ton Capacity Models / Vertical Duct Configuration

NOM. V-Ph-Hz	IFM TYPE	ELECTRIC HEATER PN	MODEL	NOMINAL kW	STAGES	SINGLE POINT KIT
208/230-3-60	STD	CRHEATER279A00	50TC/558J/RAS	25.0	2	Not Required
			50HC/551J/RAH			
		CRHEATER280A00	50TC/558J/RAS	50.0	2	CRSINGLE056A00
			50HC/551J/RAH			
		CRHEATER281A00	50TC/558J/RAS	75.0	2	CRSINGLE056A00
			50HC/551J/RAH			
	MED	CRHEATER279A00	50TC/558J/RAS	25.0	2	Not Required
			50HC/551J/RAH			
		CRHEATER280A00	50TC/558J/RAS	50.0	2	CRSINGLE056A00
			50HC/551J/RAH			
		CRHEATER281A00	50TC/558J/RAS	75.0	2	CRSINGLE056A00
			50HC/551J/RAH			
HIGH	CRHEATER279A00	50TC/558J/RAS	25.0	2	Not Required	
		50HC/551J/RAH				
	CRHEATER280A00	50TC/558J/RAS	50.0	2	CRSINGLE056A00	
		50HC/551J/RAH				
	CRHEATER281A00	50TC/558J/RAS	75.0	2	CRSINGLE056A00	
		50HC/551J/RAH				
460-3-60	STD	CRHEATER282A00	50TC/558J/RAS	25.0	2	Not Required
			50HC/551J/RAH			
		CRHEATER283A00	50TC/558J/RAS	50.0	2	CRSINGLE057A00
			50HC/551J/RAH			
		CRHEATER284A00	50TC/558J/RAS	75.0	2	CRSINGLE057A00
			50HC/551J/RAH			
	MED	CRHEATER282A00	50TC/558J/RAS	25.0	2	Not Required
			50HC/551J/RAH			
		CRHEATER283A00	50TC/558J/RAS	50.0	2	CRSINGLE057A00
			50HC/551J/RAH			
		CRHEATER284A00	50TC/558J/RAS	75.0	2	CRSINGLE057A00
			50HC/551J/RAH			
HIGH	CRHEATER282A00	50TC/558J/RAS	25.0	2	Not Required	
		50HC/551J/RAH				
	CRHEATER283A00	50TC/558J/RAS	50.0	2	CRSINGLE057A00	
		50HC/551J/RAH				
	CRHEATER284A00	50TC/558J/RAS	75.0	2	CRSINGLE057A00	
		50HC/551J/RAH				
400-3-50	STD	CRHEATER282A00	50TC	17.4	2	Not Required
		CRHEATER283A00	50TC	34.7	2	Not Required ¹
		CRHEATER284A00	50TC	52.0	2	CRSINGLE057A00
	MED	CRHEATER282A00	50TC	17.4	2	Not Required
		CRHEATER283A00	50TC	34.7	2	CRSINGLE057A00
		CRHEATER284A00	50TC	52.0	2	CRSINGLE057A00
	HIGH	CRHEATER282A00	50TC	17.4	2	Not Required
		CRHEATER283A00	50TC	34.7	2	CRSINGLE057A00
		CRHEATER284A00	50TC	52.0	2	CRSINGLE057A00
575-3-60	STD	CRHEATER285A00	50TC/558J/RAS	24.8	2	Not Required
			50HC/551J/RAH			
		CRHEATER286A00	50TC/558J/RAS	49.6	2	Not Required ²
			50HC/551J/RAH			
		CRHEATER287A00	50TC/558J/RAS	74.4	2	CRSINGLE057A00
			50HC/551J/RAH			
	MED	CRHEATER285A00	50TC/558J/RAS	24.8	2	Not Required
			50HC/551J/RAH			
		CRHEATER286A00	50TC/558J/RAS	49.6	2	Not Required ¹
			50HC/551J/RAH			
		CRHEATER287A00	50TC/558J/RAS	74.4	2	CRSINGLE057A00
			50HC/551J/RAH			
HIGH	CRHEATER285A00	50TC/558J/RAS	24.8	2	Not Required	
		50HC/551J/RAH				
	CRHEATER286A00	50TC/558J/RAS	49.6	2	Not Required ¹	
		50HC/551J/RAH				
	CRHEATER287A00	50TC/558J/RAS	74.4	2	CRSINGLE057A00	
		50HC/551J/RAH				

CRHEATER

¹ CRSINGLE057A00 required with power exhaust

² CRSINGLE057A00 required with combination of power exhaust and powered convenience outlet

Table 5 – 20 Ton Capacity Models / Horizontal Duct Configuration

NOM. V–Ph–Hz	IFM TYPE	ELECTRIC HEATER PN	MODEL	NOMINAL kW	STAGES	SINGLE POINT KIT
208/230–3–60	STD	CRHEATER270A00	50TC/50TCQ/558J/548J/RAS/RHS	25.0	2	CRSINGLE056A00
			50HC/551J/RAH			Not Required
		CRHEATER271A00	50TC/50TCQ/558J/548J/RAS/RHS	50.0	2	CRSINGLE056A00
			50HC/551J/RAH			
		CRHEATER272A00	50TC/50TCQ/558J/548J/RAS/RHS	75.0	2	CRSINGLE056A00
			50HC/551J/RAH			
	MED	CRHEATER270A00	50TC/50TCQ/558J/548J/RAS/RHS	25.0	2	CRSINGLE056A00
			50HC/551J/RAH			Not Required
		CRHEATER271A00	50TC/50TCQ/558J/548J/RAS/RHS	50.0	2	CRSINGLE056A00
			50HC/551J/RAH			
		CRHEATER272A00	50TC/50TCQ/558J/548J/RAS/RHS	75.0	2	CRSINGLE056A00
			50HC/551J/RAH			
HIGH	CRHEATER270A00	50TC/50TCQ/558J/548J/RAS/RHS	25.0	2	CRSINGLE056A00	
		50HC/551J/RAH			Not Required ^{1, 2}	
	CRHEATER271A00	50TC/50TCQ/558J/548J/RAS/RHS	50.0	2	CRSINGLE056A00	
		50HC/551J/RAH				
	CRHEATER272A00	50TC/50TCQ/558J/548J/RAS/RHS	75.0	2	CRSINGLE056A00	
		50HC/551J/RAH				
460–3–60	STD	CRHEATER273A00	50TC/50TCQ/558J/548J/RAS/RHS	25.0	2	Not Required ⁵
			50HC/551J/RAH			
		CRHEATER274A00	50TC/50TCQ/558J/548J/RAS/RHS	50.0	2	CRSINGLE057A00
			50HC/551J/RAH			
		CRHEATER275A00	50TC/50TCQ/558J/548J/RAS/RHS	75.0	2	CRSINGLE057A00
			50HC/551J/RAH			
	MED	CRHEATER273A00	50TC/50TCQ/558J/548J/RAS/RHS	25.0	2	Not Required ⁵
			50HC/551J/RAH			
		CRHEATER274A00	50TC/50TCQ/558J/548J/RAS/RHS	50.0	2	CRSINGLE057A00
			50HC/551J/RAH			
		CRHEATER275A00	50TC/50TCQ/558J/548J/RAS/RHS	75.0	2	CRSINGLE057A00
			50HC/551J/RAH			
HIGH	CRHEATER273A00	50TC/50TCQ/558J/548J/RAS/RHS	25.0	2	Not Required ³	
		50HC/551J/RAH			Not Required ^{3, 4}	
	CRHEATER274A00	50TC/50TCQ/558J/548J/RAS/RHS	50.0	2	CRSINGLE057A00	
		50HC/551J/RAH				
	CRHEATER275A00	50TC/50TCQ/558J/548J/RAS/RHS	75.0	2	CRSINGLE057A00	
		50HC/551J/RAH				
400–3–50	STD	CRHEATER273A00	50TC	17.4	2	Not Required
		CRHEATER274A00	50TC	34.7	2	CRSINGLE057A00
		CRHEATER275A00	50TC	52.1	2	CRSINGLE057A00
	MED	CRHEATER273A00	50TC	17.4	2	Not Required
		CRHEATER274A00	50TC	34.7	2	CRSINGLE057A00
		CRHEATER275A00	50TC	52.1	2	CRSINGLE057A00
	HIGH	CRHEATER273A00	50TC	17.4	2	Not Required ³
		CRHEATER274A00	50TC	34.7	2	CRSINGLE057A00
		CRHEATER275A00	50TC	52.1	2	CRSINGLE057A00
575–3–60	STD	CRHEATER276A00	50TC/50TCQ/558J/548J/RAS/RHS	24.8	2	Not Required ⁶
			50HC/551J/RAH			Not Required
		CRHEATER277A00	50TC/50TCQ/558J/548J/RAS/RHS	49.6	2	Not Required ^{3, 5}
			50HC/551J/RAH			Not Required ^{3, 4}
		CRHEATER278A00	50TC/50TCQ/558J/548J/RAS/RHS	74.4	2	CRSINGLE057A00
			50HC/551J/RAH			
	MED	CRHEATER276A00	50TC/50TCQ/558J/548J/RAS/RHS	24.8	2	Not Required ⁶
			50HC/551J/RAH			Not Required
		CRHEATER277A00	50TC/50TCQ/558J/548J/RAS/RHS	49.6	2	Not Required ^{3, 5}
			50HC/551J/RAH			Not Required ^{3, 4}
		CRHEATER278A00	50TC/50TCQ/558J/548J/RAS/RHS	74.4	2	CRSINGLE057A00
			50HC/551J/RAH			
HIGH	CRHEATER276A00	50TC/50TCQ/558J/548J/RAS/RHS	24.8	2	Not Required ⁶	
		50HC/551J/RAH			Not Required	
	CRHEATER277A00	50TC/50TCQ/558J/548J/RAS/RHS	49.6	2	Not Required ^{3, 4, 5}	
		50HC/551J/RAH			Not Required ^{3, 4}	
	CRHEATER278A00	50TC/50TCQ/558J/548J/RAS/RHS	74.4	2	CRSINGLE057A00	
		50HC/551J/RAH				

¹ CRSINGLE056A00 required with power exhaust

² CRSINGLE056A00 required with combination of power exhaust and powered convenience outlet

³ CRSINGLE057A00 required with power exhaust

⁴ CRSINGLE057A00 required with combination of power exhaust and powered convenience outlet

⁵ CRSINGLE057A00 required for 50TCQ/548J/RHS units

⁶ CRSINGLE057A00 required for 50TCQ/548J/RHS units with power exhaust

Table 6 – 20 Ton Capacity Models / Vertical Duct Configuration

NOM. V–Ph–Hz	IFM TYPE	ELECTRIC HEATER PN	MODEL	NOMINAL kW	STAGES	SINGLE POINT KIT
208/230–3–60	STD	CRHEATER279A00	50TC/50TCQ/558J/548J/RAS/RHS	25.0	2	CRSINGLE056A00
			50HC/551J/RAH			Not Required
		CRHEATER280A00	50TC/50TCQ/558J/548J/RAS/RHS	50.0	2	CRSINGLE056A00
			50HC/551J/RAH			
		CRHEATER281A00	50TC/50TCQ/558J/548J/RAS/RHS	75.0	2	CRSINGLE056A00
			50HC/551J/RAH			
	MED	CRHEATER279A00	50TC/50TCQ/558J/548J/RAS/RHS	25.0	2	CRSINGLE056A00
			50HC/551J/RAH			Not Required
		CRHEATER280A00	50TC/50TCQ/558J/548J/RAS/RHS	50.0	2	CRSINGLE056A00
			50HC/551J/RAH			
		CRHEATER281A00	50TC/50TCQ/558J/548J/RAS/RHS	75.0	2	CRSINGLE056A00
			50HC/551J/RAH			
HIGH	CRHEATER279A00	50TC/50TCQ/558J/548J/RAS/RHS	25.0	2	CRSINGLE056A00	
		50HC/551J/RAH			Not Required ^{1, 2}	
	CRHEATER280A00	50TC/50TCQ/558J/548J/RAS/RHS	50.0	2	CRSINGLE056A00	
		50HC/551J/RAH				
	CRHEATER281A00	50TC/50TCQ/558J/548J/RAS/RHS	75.0	2	CRSINGLE056A00	
		50HC/551J/RAH				
460–3–60	STD	CRHEATER282A00	50TC/50TCQ/558J/548J/RAS/RHS	25.0	2	Not Required ⁵
			50HC/551J/RAH			
		CRHEATER283A00	50TC/50TCQ/558J/548J/RAS/RHS	50.0	2	CRSINGLE057A00
			50HC/551J/RAH			
		CRHEATER284A00	50TC/50TCQ/558J/548J/RAS/RHS	75.0	2	CRSINGLE057A00
			50HC/551J/RAH			
	MED	CRHEATER282A00	50TC/50TCQ/558J/548J/RAS/RHS	25.0	2	Not Required ⁶
			50HC/551J/RAH			
		CRHEATER283A00	50TC/50TCQ/558J/548J/RAS/RHS	50.0	2	CRSINGLE057A00
			50HC/551J/RAH			
		CRHEATER284A00	50TC/50TCQ/558J/548J/RAS/RHS	75.0	2	CRSINGLE057A00
			50HC/551J/RAH			
HIGH	CRHEATER282A00	50TC/50TCQ/558J/548J/RAS/RHS	25.0	2	Not Required ^{3, 5}	
		50HC/551J/RAH			Not Required ^{3, 4}	
	CRHEATER283A00	50TC/50TCQ/558J/548J/RAS/RHS	50.0	2	CRSINGLE057A00	
		50HC/551J/RAH				
	CRHEATER284A00	50TC/50TCQ/558J/548J/RAS/RHS	75.0	2	CRSINGLE057A00	
		50HC/551J/RAH				
400–3–50	STD	CRHEATER282A00	50TC	17.4	2	Not Required
		CRHEATER283A00	50TC	34.7	2	CRSINGLE057A00
		CRHEATER284A00	50TC	52.0	2	CRSINGLE057A00
	MED	CRHEATER282A00	50TC	17.4	2	Not Required
		CRHEATER283A00	50TC	34.7	2	CRSINGLE057A00
		CRHEATER284A00	50TC	52.0	2	CRSINGLE057A00
	HIGH	CRHEATER282A00	50TC	17.4	2	Not Required ³
		CRHEATER283A00	50TC	34.7	2	CRSINGLE057A00
		CRHEATER284A00	50TC	52.0	2	CRSINGLE057A00
575–3–60	STD	CRHEATER285A00	50TC/50TCQ/558J/548J/RAS/RHS	24.8	2	Not Required ⁶
			50HC/551J/RAH			
		CRHEATER286A00	50TC/50TCQ/558J/548J/RAS/RHS	49.6	2	Not Required ^{3, 5}
			50HC/551J/RAH			Not Required ^{3, 4}
		CRHEATER287A00	50TC/50TCQ/558J/548J/RAS/RHS	74.4	2	CRSINGLE057A00
			50HC/551J/RAH			
	MED	CRHEATER285A00	50TC/50TCQ/558J/548J/RAS/RHS	24.8	2	Not Required ⁶
			50HC/551J/RAH			
		CRHEATER286A00	50TC/50TCQ/558J/548J/RAS/RHS	49.6	2	Not Required ^{3, 5}
			50HC/551J/RAH			Not Required ^{3, 4}
		CRHEATER287A00	50TC/50TCQ/558J/548J/RAS/RHS	74.4	2	CRSINGLE057A00
			50HC/551J/RAH			
HIGH	CRHEATER285A00	50TC/50TCQ/558J/548J/RAS/RHS	24.8	2	Not Required ⁶	
		50HC/551J/RAH				
	CRHEATER286A00	50TC/50TCQ/558J/548J/RAS/RHS	49.6	2	Not Required ^{3, 4, 5}	
		50HC/551J/RAH				
	CRHEATER287A00	50TC/50TCQ/558J/548J/RAS/RHS	74.4	2	CRSINGLE057A00	
		50HC/551J/RAH				

CRHEATER

¹ CRSINGLE056A00 required with power exhaust
² CRSINGLE056A00 required with combination of power exhaust and powered convenience outlet
³ CRSINGLE057A00 required with power exhaust

⁴ CRSINGLE057A00 required with combination of power exhaust and powered convenience outlet
⁵ CRSINGLE057A00 required for 50TCQ/548J/RHS units
⁶ CRSINGLE057A00 required for 50TCQ/548J/RHS units with power exhaust

Table 7 – 25 Ton Capacity Models / Horizontal Duct Configuration

NOM. V-Ph-Hz	IFM TYPE	ELECTRIC HEATER PN	MODEL	NOMINAL kW	STAGES	SINGLE POINT KIT
208/230-3-60	STD	CRHEATER270A00	50TC/558J/RAS	25.0	2	CRSINGLE056A00
			50HC/551J/RAH			
		CRHEATER271A00	50TC/558J/RAS	50.0	2	
			50HC/551J/RAH			
		CRHEATER272A00	50TC/558J/RAS	75.0	2	
			50HC/551J/RAH			
	MED	CRHEATER270A00	50TC/558J/RAS	25.0	2	CRSINGLE056A00
			50HC/551J/RAH			
		CRHEATER271A00	50TC/558J/RAS	50.0	2	
			50HC/551J/RAH			
		CRHEATER272A00	50TC/558J/RAS	75.0	2	
			50HC/551J/RAH			
HIGH	CRHEATER270A00	50TC/558J/RAS	25.0	2	CRSINGLE056A00	
		50HC/551J/RAH				
	CRHEATER271A00	50TC/558J/RAS	50.0	2		
		50HC/551J/RAH				
	CRHEATER272A00	50TC/558J/RAS	75.0	2		
		50HC/551J/RAH				
460-3-60	STD	CRHEATER273A00	50TC/558J/RAS	25.0	2	Not Required
			50HC/551J/RAH			
		CRHEATER274A00	50TC/558J/RAS	50.0	2	
			50HC/551J/RAH			
		CRHEATER275A00	50TC/558J/RAS	75.0	2	
			50HC/551J/RAH			
	MED	CRHEATER273A00	50TC/558J/RAS	25.0	2	CRSINGLE057A00
			50HC/551J/RAH			
		CRHEATER274A00	50TC/558J/RAS	50.0	2	
			50HC/551J/RAH			
		CRHEATER275A00	50TC/558J/RAS	75.0	2	
			50HC/551J/RAH			
	HIGH	CRHEATER273A00	50TC/558J/RAS	25.0	2	CRSINGLE057A00
			50HC/551J/RAH			
		CRHEATER274A00	50TC/558J/RAS	50.0	2	
			50HC/551J/RAH			
		CRHEATER275A00	50TC/558J/RAS	75.0	2	
			50HC/551J/RAH			
400-3-50	STD	CRHEATER273A00	50TC	17.4	2	Not Required ¹
		CRHEATER274A00	50TC	34.7	2	CRSINGLE057A00
		CRHEATER275A00	50TC	52.1	2	CRSINGLE057A00
	MED	CRHEATER273A00	50TC	17.4	2	Not Required ¹
		CRHEATER274A00	50TC	34.7	2	CRSINGLE057A00
		CRHEATER275A00	50TC	52.1	2	CRSINGLE057A00
	HIGH	CRHEATER273A00	50TC	17.4	2	CRSINGLE057A00
		CRHEATER274A00	50TC	34.7	2	CRSINGLE057A00
		CRHEATER275A00	50TC	52.1	2	CRSINGLE057A00
575-3-60	STD	CRHEATER276A00	50TC/558J/RAS	24.8	2	Not Required
			50HC/551J/RAH			
		CRHEATER277A00	50TC/558J/RAS	49.6	2	
			50HC/551J/RAH			
		CRHEATER278A00	50TC/558J/RAS	74.4	2	
			50HC/551J/RAH			
	MED	CRHEATER276A00	50TC/558J/RAS	24.8	2	Not Required
			50HC/551J/RAH			
		CRHEATER277A00	50TC/558J/RAS	49.6	2	
			50HC/551J/RAH			
		CRHEATER278A00	50TC/558J/RAS	74.4	2	
			50HC/551J/RAH			
	HIGH	CRHEATER276A00	50TC/558J/RAS	24.8	2	Not Required
			50HC/551J/RAH			
		CRHEATER277A00	50TC/558J/RAS	49.6	2	
50HC/551J/RAH						
CRHEATER278A00		50TC/558J/RAS	74.4	2		
		50HC/551J/RAH				

¹ CRSINGLE057A00 required with power exhaust

² CRSINGLE057A00 required with combination of power exhaust and powered convenience outlet

Table 8 – 25 Ton Capacity Models / Vertical Duct Configuration

NOM. V-Ph-Hz	IFM TYPE	ELECTRIC HEATER PN	MODEL	NOMINAL kW	STAGES	SINGLE POINT KIT
208/230-3-60	STD	CRHEATER279A00	50TC/558J/RAS	25.0	2	CRSINGLE056A00
			50HC/551J/RAH			
		CRHEATER280A00	50TC/558J/RAS	50.0	2	
			50HC/551J/RAH			
		CRHEATER281A00	50TC/558J/RAS	75.0	2	
			50HC/551J/RAH			
	MED	CRHEATER279A00	50TC/558J/RAS	25.0	2	CRSINGLE056A00
			50HC/551J/RAH			
		CRHEATER280A00	50TC/558J/RAS	50.0	2	
			50HC/551J/RAH			
		CRHEATER281A00	50TC/558J/RAS	75.0	2	
			50HC/551J/RAH			
HIGH	CRHEATER279A00	50TC/558J/RAS	25.0	2	CRSINGLE056A00	
		50HC/551J/RAH				
	CRHEATER280A00	50TC/558J/RAS	50.0	2		
		50HC/551J/RAH				
	CRHEATER281A00	50TC/558J/RAS	75.0	2		
		50HC/551J/RAH				
460-3-60	STD	CRHEATER282A00	50TC/558J/RAS	25.0	2	Not Required
			50HC/551J/RAH			
		CRHEATER283A00	50TC/558J/RAS	50.0	2	CRSINGLE057A00
			50HC/551J/RAH			
		CRHEATER284A00	50TC/558J/RAS	75.0	2	CRSINGLE057A00
			50HC/551J/RAH			
	MED	CRHEATER282A00	50TC/558J/RAS	25.0	2	Not Required ¹
			50HC/551J/RAH			Not Required ²
		CRHEATER283A00	50TC/558J/RAS	50.0	2	CRSINGLE057A00
			50HC/551J/RAH			
		CRHEATER284A00	50TC/558J/RAS	75.0	2	CRSINGLE057A00
			50HC/551J/RAH			
	HIGH	CRHEATER282A00	50TC/558J/RAS	25.0	2	CRSINGLE057A00
			50HC/551J/RAH			Not Required ¹
		CRHEATER283A00	50TC/558J/RAS	50.0	2	CRSINGLE057A00
			50HC/551J/RAH			
		CRHEATER284A00	50TC/558J/RAS	75.0	2	CRSINGLE057A00
			50HC/551J/RAH			
400-3-50	STD	CRHEATER282A00	50TC	17.4	2	Not Required ¹
		CRHEATER283A00	50TC	34.7	2	CRSINGLE057A00
		CRHEATER284A00	50TC	52.0	2	CRSINGLE057A00
	MED	CRHEATER282A00	50TC	17.4	2	Not Required ¹
		CRHEATER283A00	50TC	34.7	2	CRSINGLE057A00
		CRHEATER284A00	50TC	52.0	2	CRSINGLE057A00
	HIGH	CRHEATER282A00	50TC	17.4	2	CRSINGLE057A000
		CRHEATER283A00	50TC	34.7	2	CRSINGLE057A00
		CRHEATER284A00	50TC	52.0	2	CRSINGLE057A00
575-3-60	STD	CRHEATER285A00	50TC/558J/RAS	24.8	2	Not Required
			50HC/551J/RAH			
		CRHEATER286A00	50TC/558J/RAS	49.6	2	Not Required ¹
			50HC/551J/RAH			
		CRHEATER287A00	50TC/558J/RAS	74.4	2	CRSINGLE057A00
			50HC/551J/RAH			
	MED	CRHEATER285A00	50TC/558J/RAS	24.8	2	Not Required
			50HC/551J/RAH			
		CRHEATER286A00	50TC/558J/RAS	49.6	2	Not Required ¹
			50HC/551J/RAH			
		CRHEATER287A00	50TC/558J/RAS	74.4	2	CRSINGLE057A00
			50HC/551J/RAH			
	HIGH	CRHEATER285A00	50TC/558J/RAS	24.8	2	Not Required
			50HC/551J/RAH			
		CRHEATER286A00	50TC/558J/RAS	49.6	2	Not Required ^{1, 2}
50HC/551J/RAH			Not Required ¹			
CRHEATER287A00		50TC/558J/RAS	74.4	2	CRSINGLE057A00	
		50HC/551J/RAH				

CRHEATER

¹ CRSINGLE057A00 required with power exhaust

² CRSINGLE057A00 required with combination of power exhaust and powered convenience outlet

Table 9 – 27.5 Ton Capacity Models / Horizontal Duct Configuration

NOM. V-Ph-Hz	IFM TYPE	ELECTRIC HEATER PN	MODEL	NOMINAL kW	STAGES	SINGLE POINT KIT
208/230-3-60	STD	CRHEATER270A00	50TC/558	25.0	2	CRSINGLE056A00
		CRHEATER271A00	50TC/558J	50.0	2	CRSINGLE056A00
		CRHEATER272A00	50TC/558J	75.0	2	CRSINGLE056A00
	MED	CRHEATER270A00	50TC/558J	25.0	2	CRSINGLE056A00
		CRHEATER271A00	50TC/558J	50.0	2	CRSINGLE056A00
		CRHEATER272A00	50TC/558J	75.0	2	CRSINGLE056A00
	HIGH	CRHEATER270A00	50TC/558J	25.0	2	CRSINGLE056A00
		CRHEATER271A00	50TC/558J	50.0	2	CRSINGLE056A00
		CRHEATER272A00	50TC/558J	75.0	2	CRSINGLE056A00
460-3-60	STD	CRHEATER273A00	50TC/558J	25.0	2	CRSINGLE057A00
		CRHEATER274A00	50TC/558J	50.0	2	CRSINGLE057A00
		CRHEATER275A00	50TC/558J	75.0	2	CRSINGLE057A00
	MED	CRHEATER273A00	50TC/558J	25.0	2	CRSINGLE057A00
		CRHEATER274A00	50TC/558J	50.0	2	CRSINGLE057A00
		CRHEATER275A00	50TC/558J	75.0	2	CRSINGLE057A00
	HIGH	CRHEATER273A00	50TC/558J	25.0	2	CRSINGLE057A00
		CRHEATER274A00	50TC/558J	50.0	2	CRSINGLE057A00
		CRHEATER275A00	50TC/558J	75.0	2	CRSINGLE057A00
400-3-50	STD	CRHEATER273A00	50TC	17.4	2	CRSINGLE057A00
		CRHEATER274A00	50TC	34.7	2	CRSINGLE057A00
		CRHEATER275A00	50TC	52.1	2	CRSINGLE057A00
	MED	CRHEATER273A00	50TC	17.4	2	CRSINGLE057A00
		CRHEATER274A00	50TC	34.7	2	CRSINGLE057A00
		CRHEATER275A00	50TC	52.1	2	CRSINGLE057A00
	HIGH	CRHEATER273A00	50TC	17.4	2	CRSINGLE057A00
		CRHEATER274A00	50TC	34.7	2	CRSINGLE057A00
		CRHEATER275A00	50TC	52.1	2	CRSINGLE057A00
575-3-60	STD	CRHEATER276A00	50TC/558J	24.8	2	Not Required ¹
		CRHEATER277A00	50TC/558J	49.6	2	Not Required ²
		CRHEATER278A00	50TC/558J	74.4	2	CRSINGLE057A00
	MED	CRHEATER276A00	50TC/558J	24.8	2	Not Required ¹
		CRHEATER277A00	50TC/558J	49.6	2	CRSINGLE057A00
		CRHEATER278A00	50TC/558J	74.4	2	CRSINGLE057A00
	HIGH	CRHEATER276A00	50TC/558J	24.8	2	Not Required ¹
		CRHEATER277A00	50TC/558J	49.6	2	CRSINGLE057A00
		CRHEATER278A00	50TC/558J	74.4	2	CRSINGLE057A00

¹ CRSINGLE057A00 required with power exhaust

² CRSINGLE057A00 required with combination of power exhaust and powered convenience outlet

CRHEATER

Table 10 – 25 Ton Capacity Models / Vertical Duct Configuration

NOM. V-Ph-Hz	IFM TYPE	ELECTRIC HEATER PN	MODEL	NOMINAL kW	STAGES	SINGLE POINT KIT
208/230-3-60	STD	CRHEATER279A00	50TC/558J	25.0	2	CRSINGLE056A00
		CRHEATER280A00	50TC/558J	50.0	2	CRSINGLE056A00
		CRHEATER281A00	50TC/558J	75.0	2	CRSINGLE056A00
	MED	CRHEATER279A00	50TC/558J	25.0	2	CRSINGLE056A00
		CRHEATER280A00	50TC/558J	50.0	2	CRSINGLE056A00
		CRHEATER281A00	50TC/558J	75.0	2	CRSINGLE056A00
	HIGH	CRHEATER279A00	50TC/558J	25.0	2	CRSINGLE056A00
		CRHEATER280A00	50TC/558J	50.0	2	CRSINGLE056A00
		CRHEATER281A00	50TC/558J	75.0	2	CRSINGLE056A00
460-3-60	STD	CRHEATER282A00	50TC/558J	25.0	2	CRSINGLE057A00
		CRHEATER283A00	50TC/558J	50.0	2	CRSINGLE057A00
		CRHEATER284A00	50TC/558J	75.0	2	CRSINGLE057A00
	MED	CRHEATER282A00	50TC/558J	25.0	2	CRSINGLE057A00
		CRHEATER283A00	50TC/558J	50.0	2	CRSINGLE057A00
		CRHEATER284A00	50TC/558J	75.0	2	CRSINGLE057A00
	HIGH	CRHEATER282A00	50TC/558J	25.0	2	CRSINGLE057A00
		CRHEATER283A00	50TC/558J	50.0	2	CRSINGLE057A00
		CRHEATER284A00	50TC/558J	75.0	2	CRSINGLE057A00
400-3-50	STD	CRHEATER282A00	50TC	17.4	2	CRSINGLE057A00
		CRHEATER283A00	50TC	34.7	2	CRSINGLE057A00
		CRHEATER284A00	50TC	52.0	2	CRSINGLE057A00
	MED	CRHEATER282A00	50TC	17.4	2	CRSINGLE057A00
		CRHEATER283A00	50TC	34.7	2	CRSINGLE057A00
		CRHEATER284A00	50TC	52.0	2	CRSINGLE057A00
	HIGH	CRHEATER282A00	50TC	17.4	2	CRSINGLE057A00
		CRHEATER283A00	50TC	34.7	2	CRSINGLE057A00
		CRHEATER284A00	50TC	52.0	2	CRSINGLE057A00
575-3-60	STD	CRHEATER285A00	50TC/558J	24.8	2	Not Required ¹
		CRHEATER286A00	50TC/558J	49.6	2	Not Required ²
		CRHEATER287A00	50TC/558J	74.4	2	CRSINGLE057A00
	MED	CRHEATER285A00	50TC/558J	24.8	2	Not Required
		CRHEATER286A00	50TC/558J	49.6	2	CRSINGLE057A00
		CRHEATER287A00	50TC/558J	74.4	2	CRSINGLE057A00
	HIGH	CRHEATER285A00	50TC/558J	24.8	2	Not Required ¹
		CRHEATER286A00	50TC/558J	49.6	2	CRSINGLE057A00
		CRHEATER287A00	50TC/558J	74.4	2	CRSINGLE057A00

¹ CRSINGLE057A00 required with power exhaust

² CRSINGLE057A00 required with combination of power exhaust and powered convenience outlet

CRHEATER

Table 11 – 50LC 12.5 - 23 Ton Capacity Models Vertical/Horizontal Duct Configuration

ELEC HEAT: 50LC*014-26					Single Point (CRSINGLE***A00) or Junction Kit Part Number			
50LC*014	NOM. V-Ph-Hz	IFM TYPE	Electric Heater Part Number (Vertical/Horizontal)	Nominal (kW)	NO C.O. or Unpowered C.O.		w/PWRD C.O.	
					NO P.E.	w/ P.E. (pwrd fr/unit)	NO P.E.	w/ P.E. (pwrd fr/unit)
50LC*014	208/230-3-60	STD	CRHEATER302A00/305	15.0	-	-	-	-
			CRHEATER279A00/270	25.0	-	-	-	-
			CRHEATER309A00/312	50.0	056	056	056	056
		MED	CRHEATER302A00/305	15.0	-	-	-	-
			CRHEATER279A00/270	25.0	-	-	-	-
			CRHEATER309A00/312	50.0	056	056	056	056
		HIGH	CRHEATER302A00/305	15.0	-	-	-	-
			CRHEATER279A00/270	25.0	-	-	-	-
			CRHEATER309A00/312	50.0	056	056	056	056
		SUPER	CRHEATER302A00/305	15.0	-	-	-	-
			CRHEATER279A00/270	25.0	-	-	-	056
			CRHEATER309A00/312	50.0	056	056	056	056
	460-3-60	STD	CRHEATER303A00/306	15.0	-	-	-	-
			CRHEATER282A00/273	25.0	-	-	-	-
			CRHEATER310A00/313	50.0	-	057	057	057
		MED	CRHEATER303A00/306	15.0	-	-	-	-
			CRHEATER282A00/273	25.0	-	-	-	-
			CRHEATER310A00/313	50.0	057	057	057	057
		HIGH	CRHEATER303A00/306	15.0	-	-	-	-
			CRHEATER282A00/273	25.0	-	-	-	-
			CRHEATER310A00/313	50.0	057	057	057	057
		SUPER	CRHEATER303A00/306	15.0	-	-	-	-
			CRHEATER282A00/273	25.0	-	-	-	-
			CRHEATER310A00/313	50.0	057	057	057	057
	575-3-60	STD	CRHEATER304A00/307	15.0	-	-	-	-
			CRHEATER285A00/276	24.8	-	-	-	-
			CRHEATER311A00/314	49.6	-	057	-	057
MED		CRHEATER304A00/307	15.0	-	-	-	-	
		CRHEATER285A00/276	24.8	-	-	-	-	
		CRHEATER311A00/314	49.6	-	057	-	057	
HIGH		CRHEATER304A00/307	15.0	-	-	-	-	
		CRHEATER285A00/276	24.8	-	-	-	-	
		CRHEATER311A00/314	49.6	-	057	057	057	
SUPER		CRHEATER304A00/307	15.0	-	-	-	-	
		CRHEATER285A00/276	24.8	-	-	-	-	
		CRHEATER311A00/314	49.6	057	057	057	057	

CRHEATER

Table 11 - 50LC 12.5 - 23 Ton Capacity Models Vertical/Horizontal Duct Configuration (CONT)

ELEC HEAT: 50LC*014-26					Single Point (CRSINGLE***A00) or Junction Kit Part Number			
50LC*017	NOM. V-Ph-Hz	IFM TYPE	Electric Heater Part Number (Vertical/Horizontal)	Nominal (kW)	NO C.O. or Unpowered C.O.		w/PWRD C.O.	
					NO P.E.	w/ P.E. (pwrd fr/ unit)	NO P.E.	w/ P.E. (pwrd fr/unit)
					208/230-3-60	STD	CRHEATER279A00/270	25.0
CRHEATER280A00/271	50.0	056	056	056			056	
CRHEATER281A00/272	75.0	056	056	056			056	
MED	CRHEATER279A00/270	25.0	-	-		-	-	
	CRHEATER280A00/271	50.0	056	056		056	056	
	CRHEATER281A00/272	75.0	056	056		056	056	
HIGH	CRHEATER279A00/270	25.0	-	-		-	056	
	CRHEATER280A00/271	50.0	056	056		056	056	
	CRHEATER281A00/272	75.0	056	056		056	056	
SUPER	CRHEATER279A00/270	25.0	-	056		056	056	
	CRHEATER280A00/271	50.0	056	056		056	056	
	CRHEATER281A00/272	75.0	056	056		056	056	
460-3-60	STD	CRHEATER282A00/273	25.0	-		-	-	-
		CRHEATER283A00/274	50.0	-		057	057	057
		CRHEATER284A00/275	75.0	057		057	057	057
	MED	CRHEATER282A00/273	25.0	-		-	-	-
		CRHEATER283A00/274	50.0	057		057	057	057
		CRHEATER284A00/275	75.0	057		057	057	057
	HIGH	CRHEATER282A00/273	25.0	-		-	-	-
		CRHEATER283A00/274	50.0	057		057	057	057
		CRHEATER284A00/275	75.0	057		057	057	057
	SUPER	CRHEATER282A00/273	25.0	-		-	-	-
		CRHEATER283A00/274	50.0	057		057	057	057
		CRHEATER284A00/275	75.0	057		057	057	057
575-3-60	STD	CRHEATER285A00/276	24.8	-		-	-	-
		CRHEATER286A00/277	49.6	-		057	-	057
		CRHEATER287A00/278	74.4	057		057	057	057
	MED	CRHEATER285A00/276	24.8	-	-	-	-	
		CRHEATER286A00/277	49.6	-	057	057	057	
		CRHEATER287A00/278	74.4	057	057	057	057	
	HIGH	CRHEATER285A00/276	24.8	-	-	-	-	
		CRHEATER286A00/277	49.6	057	057	057	057	
		CRHEATER287A00/278	74.4	057	057	057	057	
	SUPER	CRHEATER285A00/276	24.8	-	-	-	-	
		CRHEATER286A00/277	49.6	057	057	057	057	
		CRHEATER287A00/278	74.4	057	057	057	057	

CRHEATER

Table 11 - 50LC 12.5 - 23 Ton Capacity Models Vertical/Horizontal Duct Configuration (CONT)

ELEC HEAT: 50LC*014-26					Single Point (CRSINGLE***A00) or Junction Kit Part Number			
50LC*020	NOM. V-Ph-Hz	IFM TYPE	Electric Heater Part Number (Vertical/Horizontal)	Nominal (kW)	NO C.O. or Unpowered C.O.		w/PWRD C.O.	
					NO P.E.	w/ P.E. (pwrd fr/unit)	NO P.E.	w/ P.E. (pwrd fr/unit)
50LC*020	208/230-3-60	STD	CRHEATER279A00/270	25.0	-	-	-	-
			CRHEATER280A00/271	50.0	056	056	056	056
			CRHEATER281A00/272	75.0	056	056	056	056
		MED	CRHEATER279A00/270	25.0	-	-	-	-
			CRHEATER280A00/271	50.0	056	056	056	056
			CRHEATER281A00/272	75.0	056	056	056	056
		HIGH	CRHEATER279A00/270	25.0	-	-	-	056
			CRHEATER280A00/271	50.0	056	056	056	056
			CRHEATER281A00/272	75.0	056	056	056	056
		SUPER	CRHEATER279A00/270	25.0	-	056	056	056
			CRHEATER280A00/271	50.0	056	056	056	056
			CRHEATER281A00/272	75.0	056	056	056	056
	460-3-60	STD	CRHEATER282A00/273	25.0	-	-	-	-
			CRHEATER283A00/274	50.0	-	057	057	057
			CRHEATER284A00/275	75.0	057	057	057	057
		MED	CRHEATER282A00/273	25.0	-	-	-	-
			CRHEATER283A00/274	50.0	057	057	057	057
			CRHEATER284A00/275	75.0	057	057	057	057
		HIGH	CRHEATER282A00/273	25.0	-	-	-	-
			CRHEATER283A00/274	50.0	057	057	057	057
			CRHEATER284A00/275	75.0	057	057	057	057
		SUPER	CRHEATER282A00/273	25.0	-	-	-	-
			CRHEATER283A00/274	50.0	057	057	057	057
			CRHEATER284A00/275	75.0	057	057	057	057
	575-3-60	STD	CRHEATER285A00/276	24.8	-	-	-	-
			CRHEATER286A00/277	49.6	-	057	-	057
			CRHEATER287A00/278	74.4	057	057	057	057
MED		CRHEATER285A00/276	24.8	-	-	-	-	
		CRHEATER286A00/277	49.6	-	057	057	057	
		CRHEATER287A00/278	74.4	057	057	057	057	
HIGH		CRHEATER285A00/276	24.8	-	-	-	-	
		CRHEATER286A00/277	49.6	057	057	057	057	
		CRHEATER287A00/278	74.4	057	057	057	057	
SUPER	CRHEATER285A00/276	24.8	-	-	-	-		
	CRHEATER286A00/277	49.6	057	057	057	057		
	CRHEATER287A00/278	74.4	057	057	057	057		

CRHEATER

Table 11 - 50LC 12.5 - 23 Ton Capacity Models Vertical/Horizontal Duct Configuration (CONT)

ELEC HEAT: 50LC*014-26					Single Point (CRSINGLE***A00) or Junction Kit Part Number			
50LC*024	NOM. V-Ph-Hz	IFM TYPE	Electric Heater Part Number (Vertical/Horizontal)	Nominal (kW)	NO C.O. or Unpowered C.O.		w/PWRD C.O.	
					NO P.E.	w/ P.E. (pwrd fr/ unit)	NO P.E.	w/ P.E. (pwrd fr/unit)
					208/230-3-60	STD	CRHEATER279A00/270	25.0
CRHEATER280A00/271	50.0	056	056	056			056	
CRHEATER281A00/272	75.0	056	056	056			056	
MED	CRHEATER279A00/270	25.0	-	-		-	056	
	CRHEATER280A00/271	50.0	056	056		056	056	
	CRHEATER281A00/272	75.0	056	056		056	056	
HIGH	CRHEATER279A00/270	25.0	-	056		-	056	
	CRHEATER280A00/271	50.0	056	056		056	056	
	CRHEATER281A00/272	75.0	056	056		056	056	
SUPER	CRHEATER279A00/270	25.0	056	056		056	056	
	CRHEATER280A00/271	50.0	056	056		056	056	
	CRHEATER281A00/272	75.0	056	056		056	056	
460-3-60	STD	CRHEATER282A00/273	25.0	-		057	-	057
		CRHEATER283A00/274	50.0	057		057	057	057
		CRHEATER284A00/275	75.0	057		057	057	057
	MED	CRHEATER282A00/273	25.0	-		057	-	057
		CRHEATER283A00/274	50.0	057		057	057	057
		CRHEATER284A00/275	75.0	057		057	057	057
	HIGH	CRHEATER282A00/273	25.0	-		057	057	057
		CRHEATER283A00/274	50.0	057		057	057	057
		CRHEATER284A00/275	75.0	057		057	057	057
	SUPER	CRHEATER282A00/273	25.0	057		057	057	057
		CRHEATER283A00/274	50.0	057		057	057	057
		CRHEATER284A00/275	75.0	057		057	057	057
575-3-60	STD	CRHEATER285A00/276	24.8	-		-	-	-
		CRHEATER286A00/277	49.6	-		057	057	057
		CRHEATER287A00/278	74.4	057		057	057	057
	MED	CRHEATER285A00/276	24.8	-	-	-	-	
		CRHEATER286A00/277	49.6	-	057	057	057	
		CRHEATER287A00/278	74.4	057	057	057	057	
	HIGH	CRHEATER285A00/276	24.8	-	-	-	-	
		CRHEATER286A00/277	49.6	057	057	057	057	
		CRHEATER287A00/278	74.4	057	057	057	057	
	SUPER	CRHEATER285A00/276	24.8	-	-	-	-	
		CRHEATER286A00/277	49.6	057	057	057	057	
		CRHEATER287A00/278	74.4	057	057	057	057	

CRHEATER

Table 11 - 50LC 12.5 - 23 Ton Capacity Models Vertical/Horizontal Duct Configuration (CONT)

ELEC HEAT: 50LC*014-26					Single Point (CRSINGLE***A00) or Junction Kit Part Number			
50LC*026	NOM. V.Ph-Hz	IFM TYPE	Electric Heater Part Number (Vertical/Horizontal)	Nominal (kW)	NO C.O. or Unpowered C.O.		w/PWRD C.O.	
					NO P.E.	w/ P.E. (pwrd fr/unit)	NO P.E.	w/ P.E. (pwrd fr/unit)
50LC*026	208/230-3-60	STD	CRHEATER279A00/270	25.0	056	056	056	056
			CRHEATER280A00/271	50.0	056	056	056	056
			CRHEATER281A00/272	75.0	056	056	056	056
		MED	CRHEATER279A00/270	25.0	056	056	056	056
			CRHEATER280A00/271	50.0	056	056	056	056
			CRHEATER281A00/272	75.0	056	056	056	056
		HIGH	CRHEATER279A00/270	25.0	056	056	056	056
			CRHEATER280A00/271	50.0	056	056	056	056
			CRHEATER281A00/272	75.0	056	056	056	056
	460-3-60	STD	CRHEATER282A00/273	25.0	057	057	057	057
			CRHEATER283A00/274	50.0	057	057	057	057
			CRHEATER284A00/275	75.0	057	057	057	057
		MED	CRHEATER282A00/273	25.0	057	057	057	057
			CRHEATER283A00/274	50.0	057	057	057	057
			CRHEATER284A00/275	75.0	057	057	057	057
		HIGH	CRHEATER282A00/273	25.0	057	057	057	057
			CRHEATER283A00/274	50.0	057	057	057	057
			CRHEATER284A00/275	75.0	057	057	057	057
	575-3-60	STD	CRHEATER285A00/276	24.8	-	-	-	057
			CRHEATER286A00/277	49.6	-	057	057	057
			CRHEATER287A00/278	74.4	057	057	057	057
		MED	CRHEATER285A00/276	24.8	-	057	-	057
			CRHEATER286A00/277	49.6	057	057	057	057
			CRHEATER287A00/278	74.4	057	057	057	057
		HIGH	CRHEATER285A00/276	24.8	-	057	057	057
			CRHEATER286A00/277	49.6	057	057	057	057
			CRHEATER287A00/278	74.4	057	057	057	057

CRHEATER

INSTALLATION

Heater Installation (All Units)

Perform the following procedure to install the accessory electric heaters:

1. Turn off power to the unit.
2. Remove electric heater section access panel, control box access panel, filter access panel, and blower access panel from base rooftop unit. (See Fig. 1.)

⚠ CAUTION

EQUIPMENT DAMAGE HAZARD

Failure to follow this caution may result in damage to equipment.

When removing panels from the unit, be careful not to damage the roof or other surfaces with the panels.

⚠ CAUTION

CUT HAZARD

Failure to follow this caution may result in personal injury.

When removing access panels or performing maintenance functions inside your unit, be aware of sharp sheet metal parts and screws. Although special care is taken to reduce sharp edges to a minimum, be extremely careful when handling parts or reaching into the unit.

3. Remove the block-off plate and save screws. Remove post adjacent to control box and post located between filter access and blower access. (See Fig. 2.)
4. Insert heater assembly through opening where block-off plate was previously removed. Let back end of heaters slide along support rails beneath fan deck. (See Fig. 3.)

5. Slide heaters until completely installed such that heater controls are completely in the unit. Using screws saved from Step 3, secure heater assembly. (See Fig. 4.)
6. Route heater power wires through grommets in vertical fan deck support. (See Fig. 3.) Continue routing wires under coil and filter support through the bottom notched section of the control box. Avoid sheet metal edges and any protruding screws.
7. Using three 1/4-20 nuts, connect power wires to the load side of terminal block.
If single point power entry is desired, a single point kit must be used. See Tables 1 - 11 for details on selecting the correct single point kit for the accessory heater being installed. Terminal block and fuse holder can be mounted using screws provided, locating the combination below unit terminal block. (See Fig. 5.) Heaters will be connected to the load side of the terminal block provided with kit. Load side of fuses to be connected to terminal block of main unit.
For dual power entry, purchase terminal block HY11UC313 for 208-230 volt applications. Six 1/4-20 field supplied lock nuts required (P/N AT56AB171). For 400 v-50 hz, 460v and 575v 60 hz applications purchase terminal block HY11UC125. Three 1/4-20 field supplied screws required (P/N AA45AB167). Mount in pre-drilled holes using field-supplied fasteners. Connect power leads from heaters to field-supplied terminal block.
8. Connect low voltage control plug from heater to the control plug from unit.
9. Re-install posts previously removed. When re-installing screws insure that wires do not come into contact with screw tips.
10. Re-install blower access, heater access, filter and control box access panels.
11. Mark nameplate with a check mark next to heater installed.

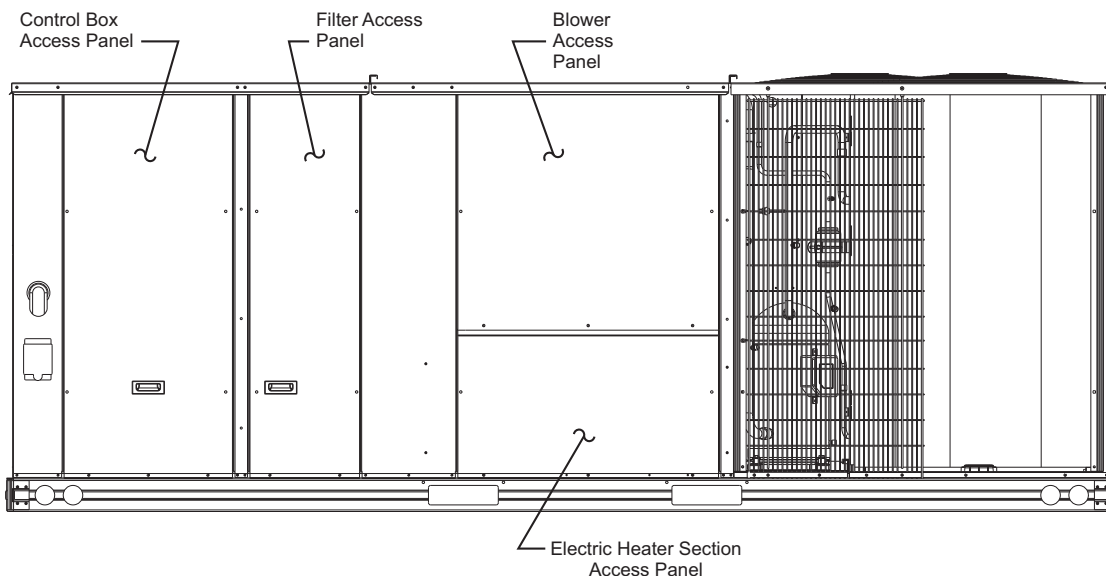


Fig. 1 - Typical Unit – Access Panel Locations

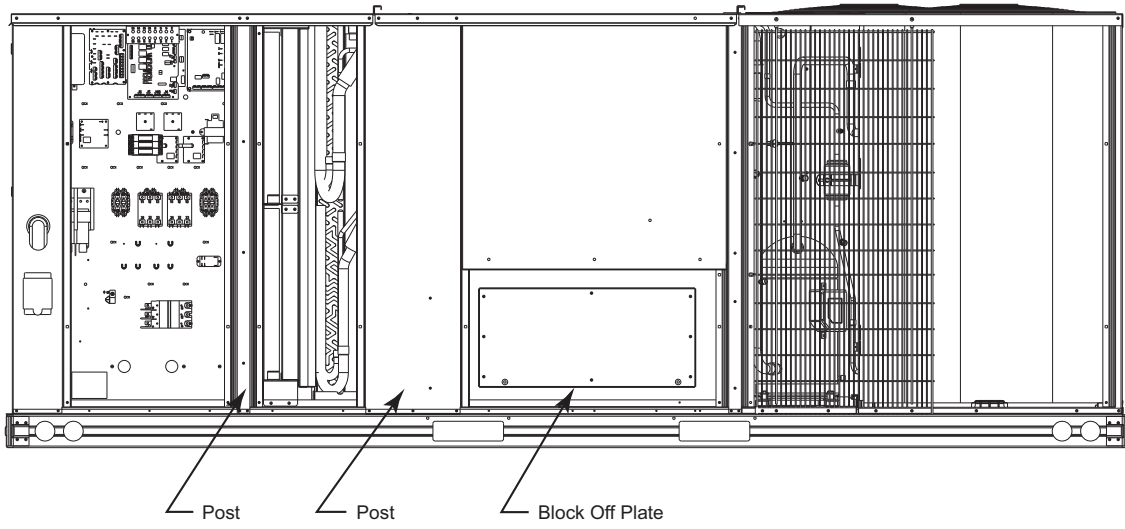


Fig. 2 - Block-Off Plate and Post Locations

C09421

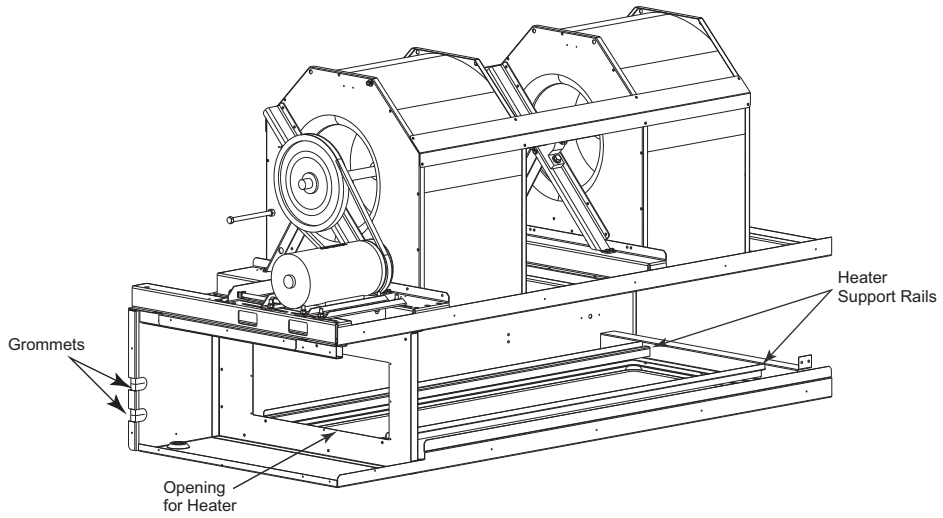


Fig. 3 - Opening for Electric Heater

C09422

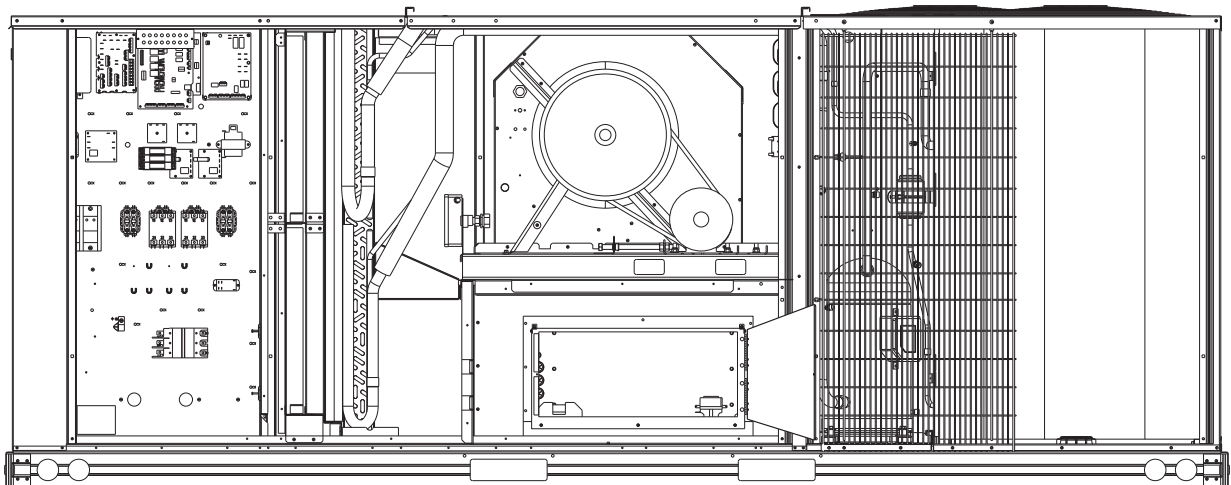


Fig. 4 - Electric Heater Accessory In Place (shown with Access Door Opened)

C09423

START-UP

1. Check electrical connections
2. Turn thermostat to OFF position.
3. Restore power to unit.
4. Check voltage supply and match the reading against unit and heater nameplate.
5. Slowly turn thermostat up until fan comes on. First stage of electric heat should be on depending on thermostat.
6. Continue raising thermostat until stage 2 comes on.
7. Set temperature to desired level or return thermostat to the OFF position.

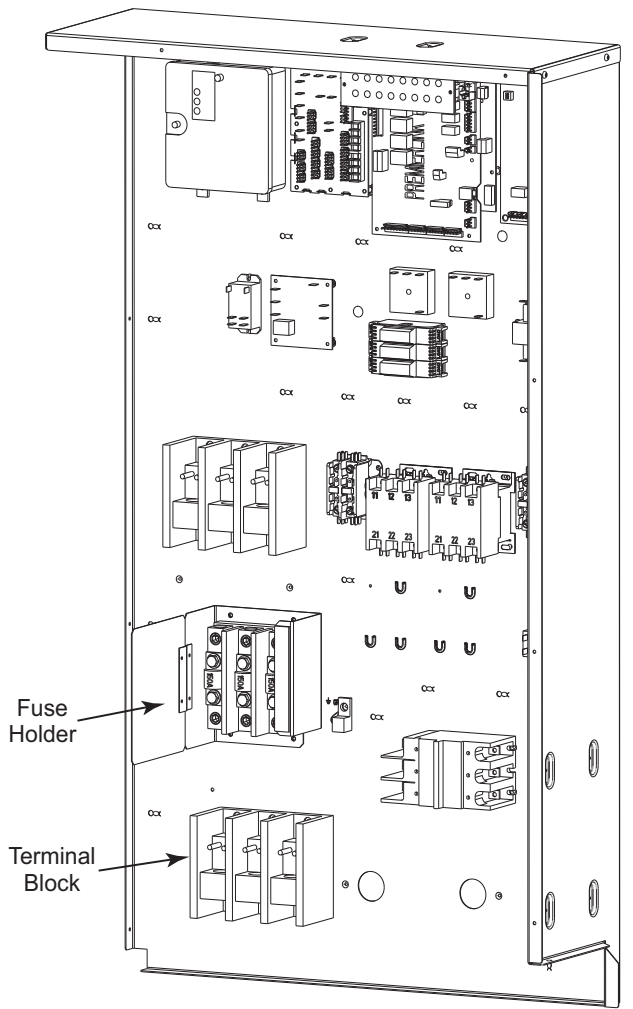


Fig. 5 - Single Point Installation

C09424

WIRING DIAGRAMS

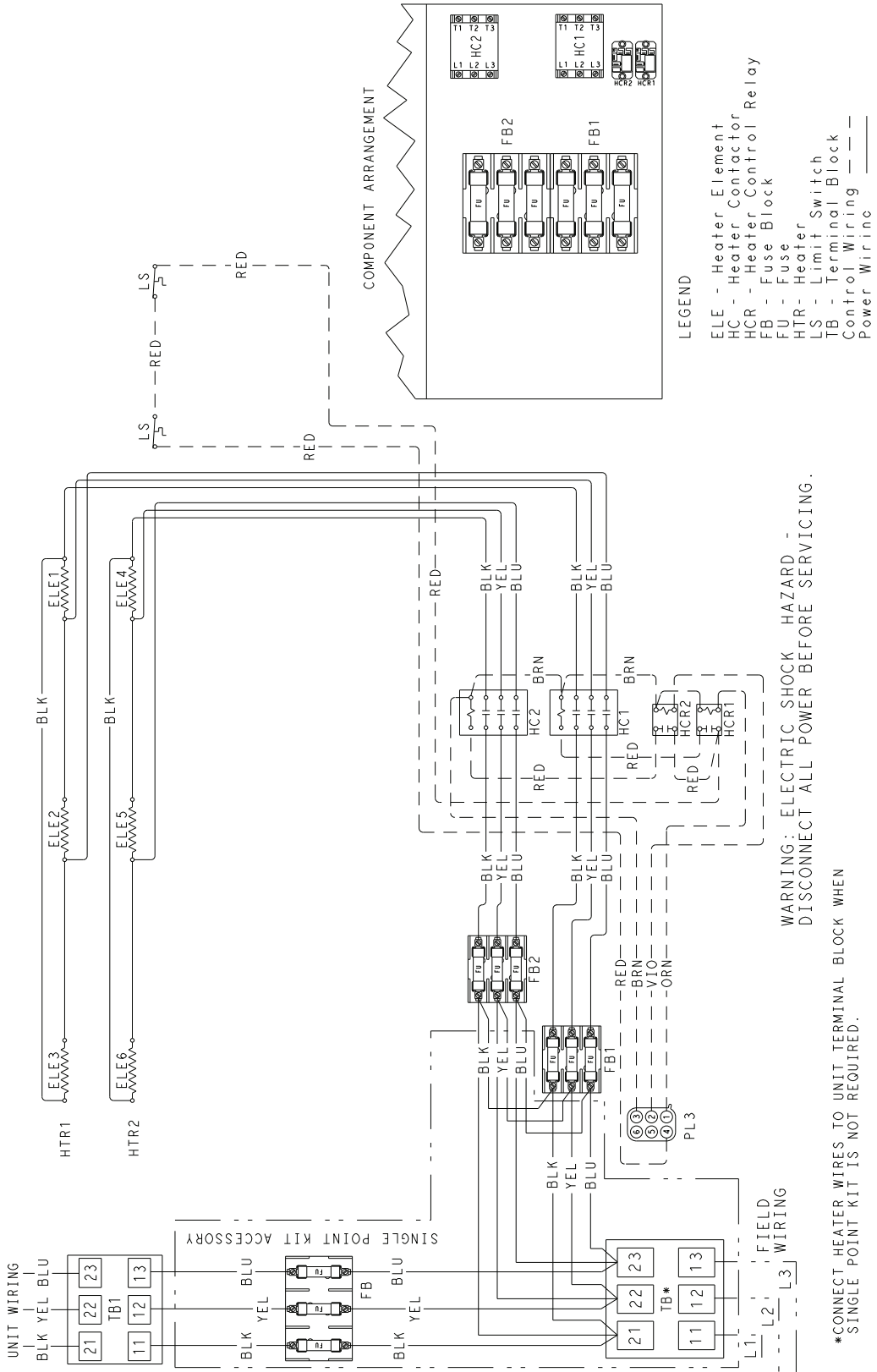
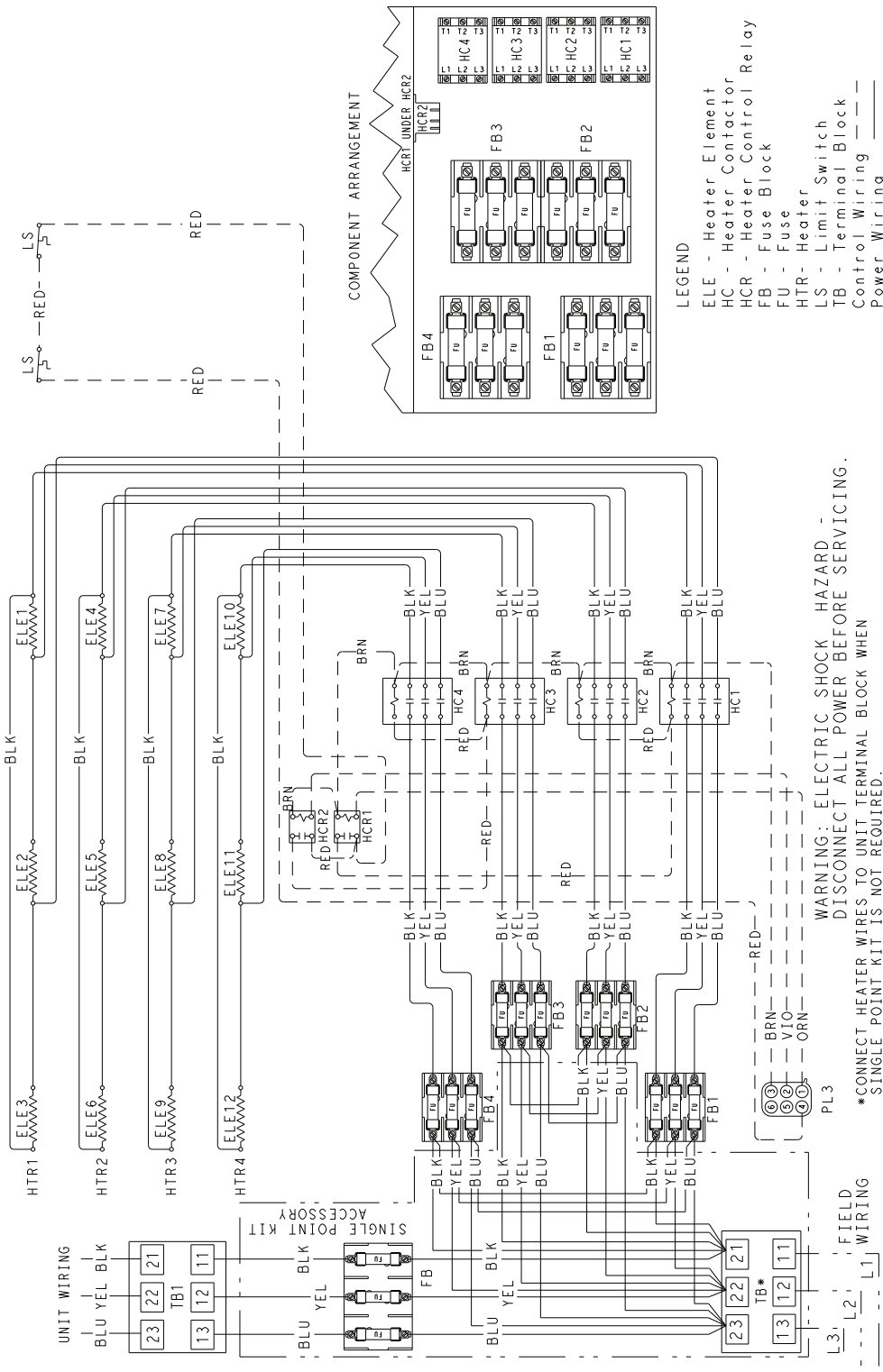


Fig. 6 - CRHEATER270A00 and CRHEATER279A00 — 25 kW, 208/230 V, 60 Hz

C11355

WIRING DIAGRAMS



NOMINAL KW	VOLTS	PHASE	HERTZ	CONTROL VOLTS	STEPS	FB1, FB2, FB3, FB4	
						FU RATING	CLASS
37.6/50.0	208/240	3	60	24	2	40A - 250V	K5

C11356

Fig. 7 - CRHEATER271A00, CRHEATER280A00, CRHEATER309A00 and CRHEATER312A00 — 37.5/50 kW, 208/240 V, 60 Hz



WIRING DIAGRAMS

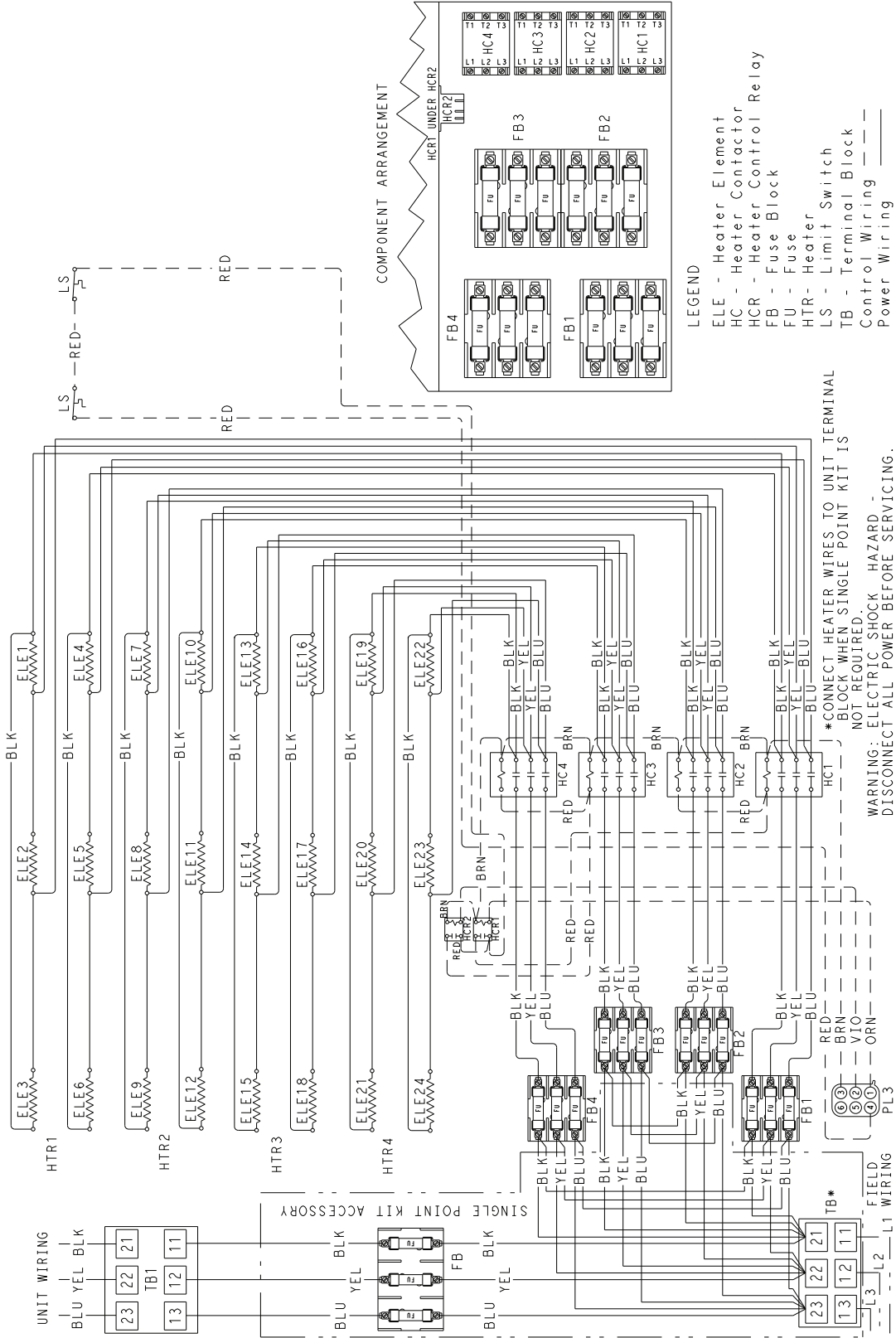
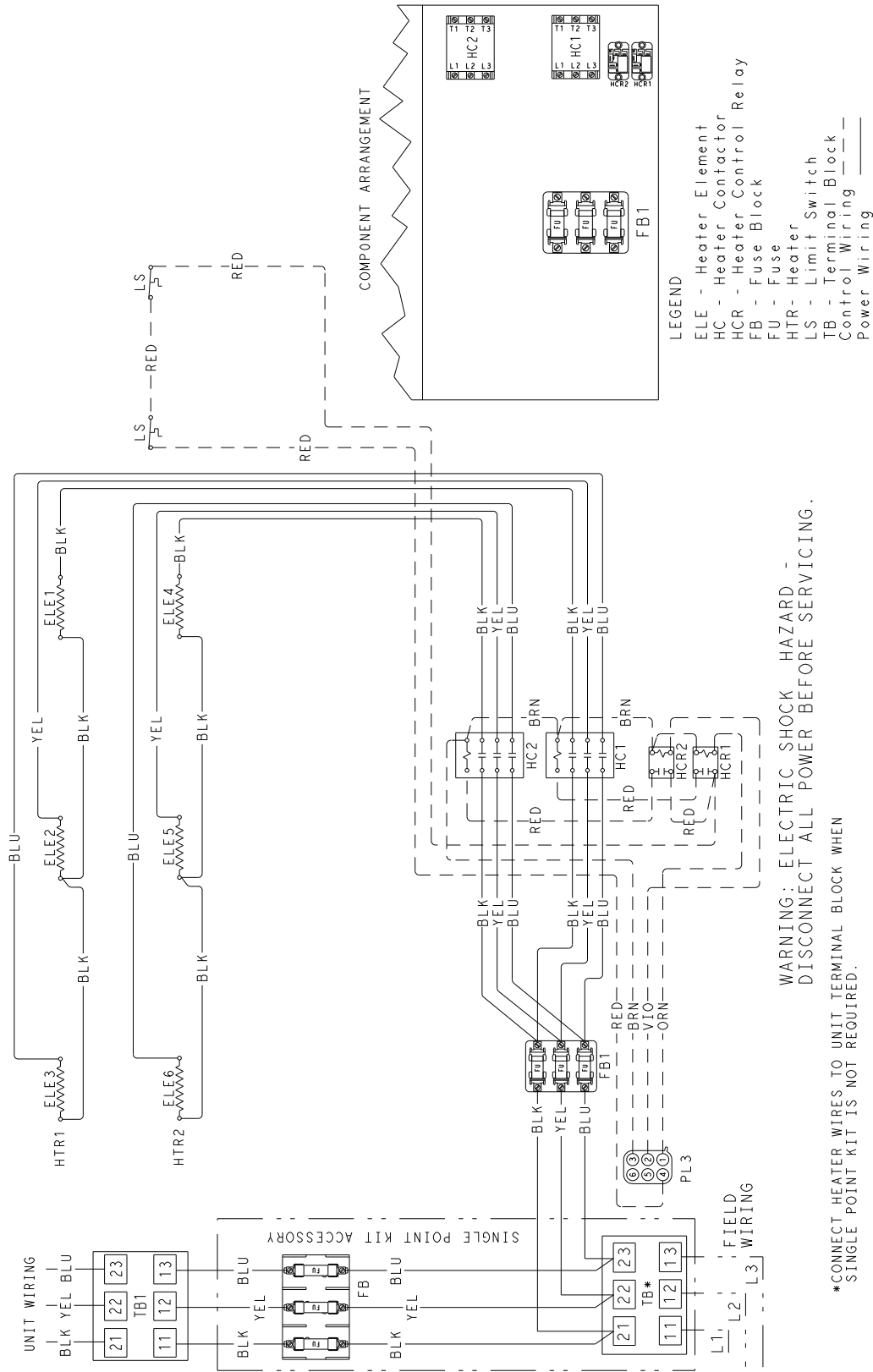


Fig. 8 - CRHEATER272A00 and CRHEATER281A00 — 75 kW, 208/230 V, 60 Hz

WIRING DIAGRAMS

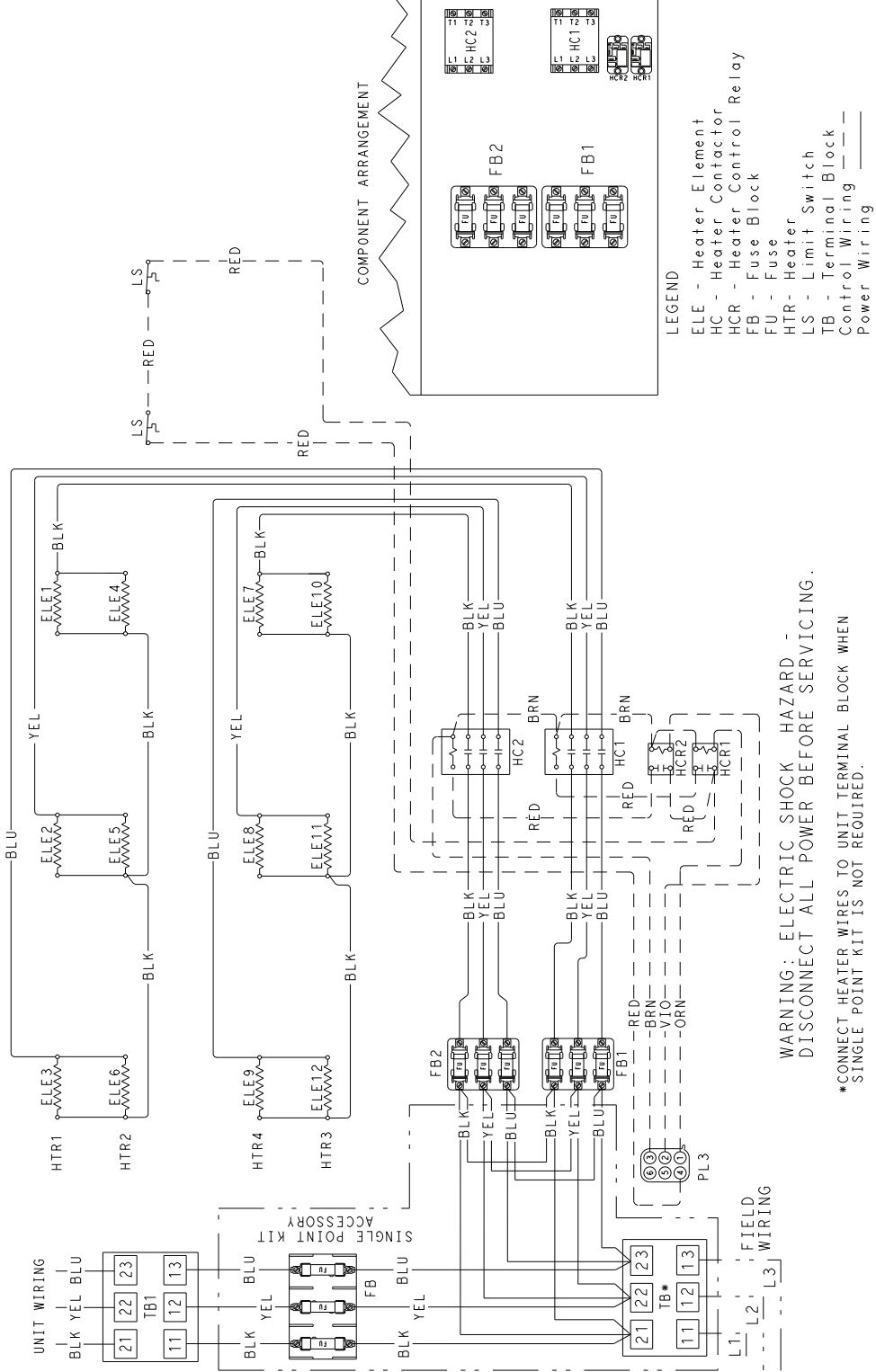


C11358

Fig. 9 - CRHEATER273A00 and CRHEATER282A00 —25/17.4 kW, 460/400 V, 60/50 Hz



WIRING DIAGRAMS

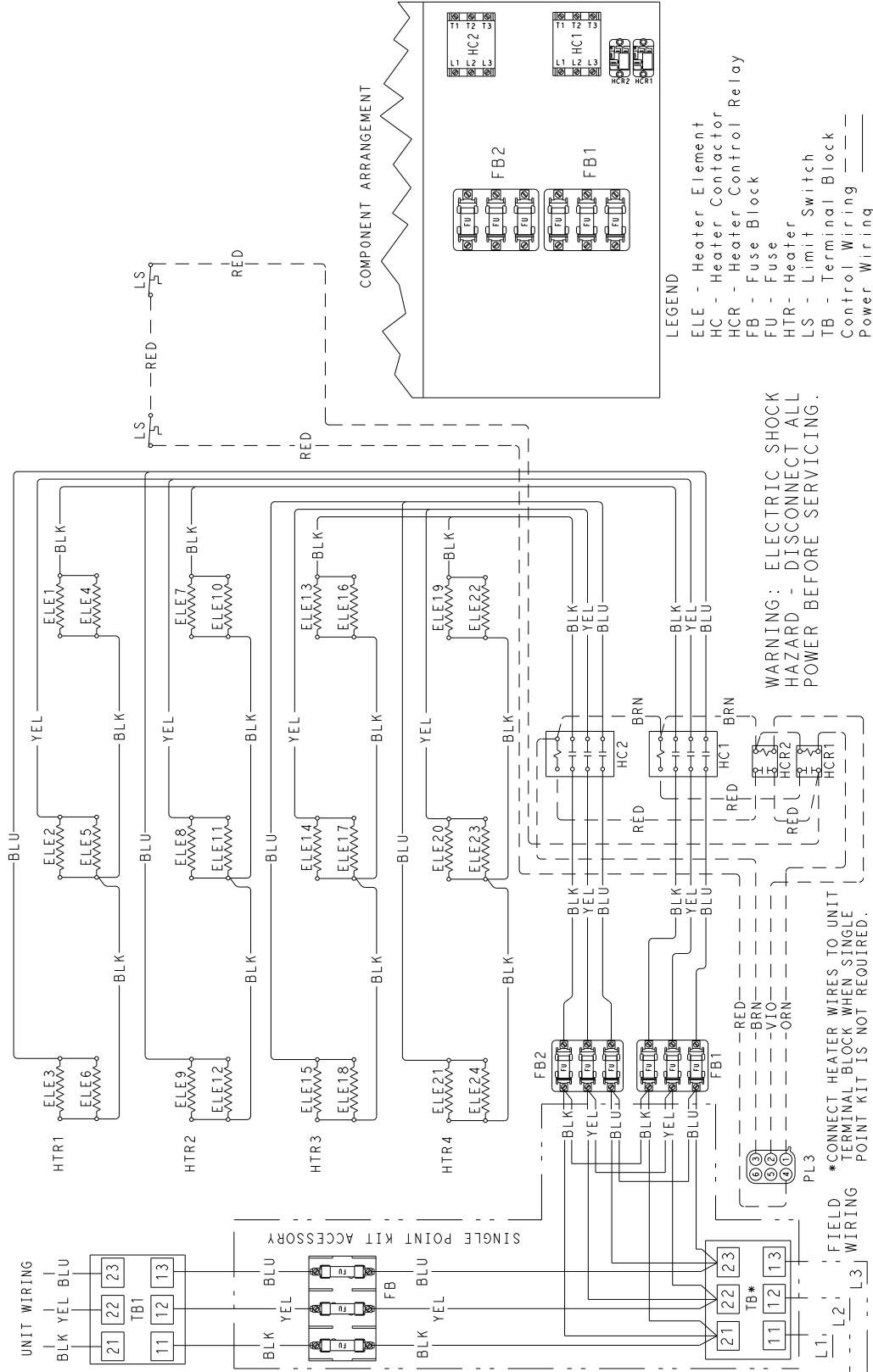


NOMINAL KW	VOLTS	PHASE	HERTZ	CONTROL VOLTS	STEPS	FB1 & FB2	
						FU RATING	CLASS
50.0/34.7	480/400	3	60/50	24	2	40A - 600V	T

Fig. 10 - CRHEATER274A00, CRHEATER283A00, CRHEATER310A00 AND CRHEATER313A00 — 50/34.7 kW, 480/400 V, 60/50 Hz

C11359

WIRING DIAGRAMS

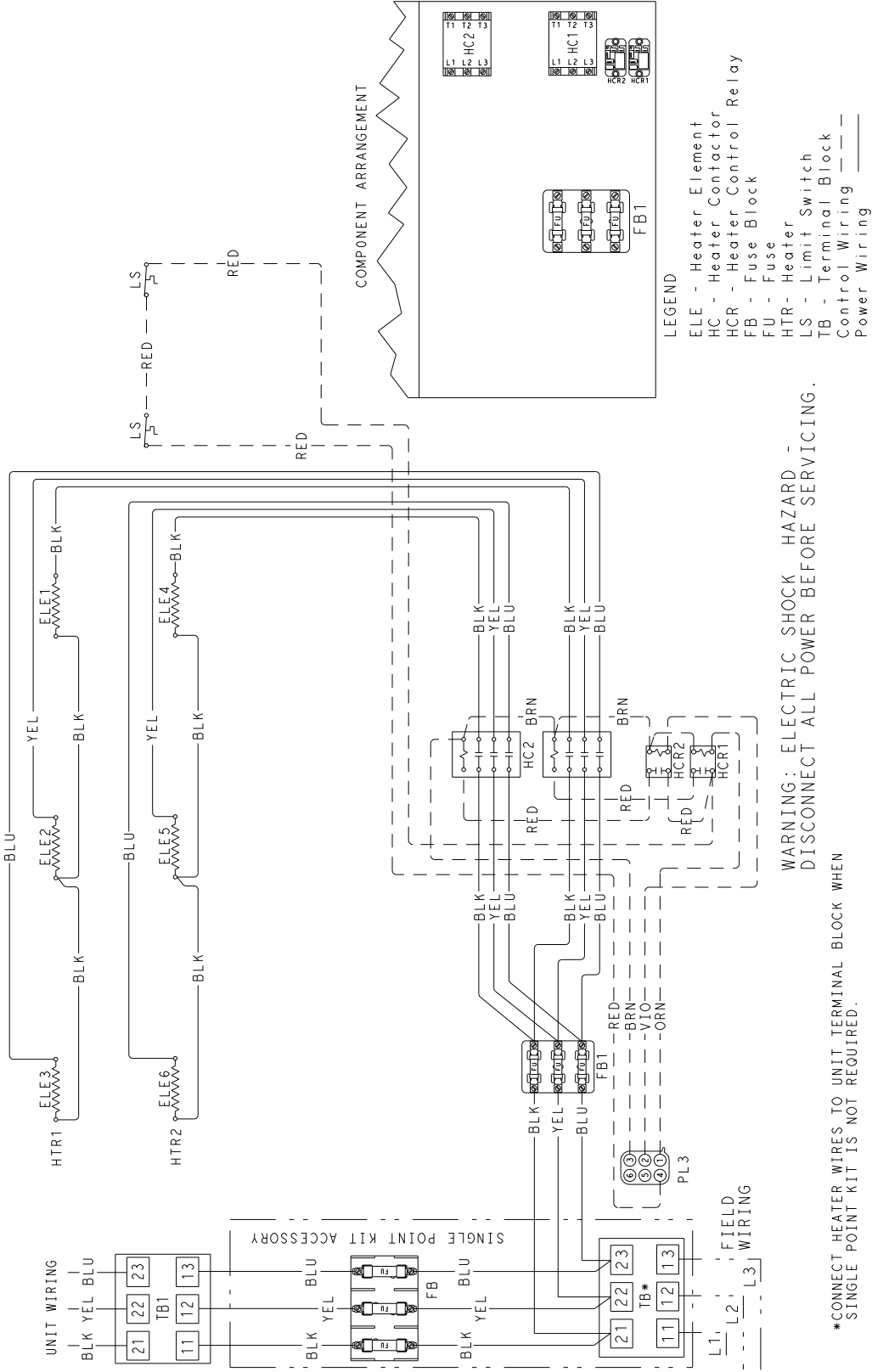


C11360

Fig. 11 - CRHEATER275A00 and CRHEATER284A00 — 75/52 kW, 460/400 V, 60/50 Hz



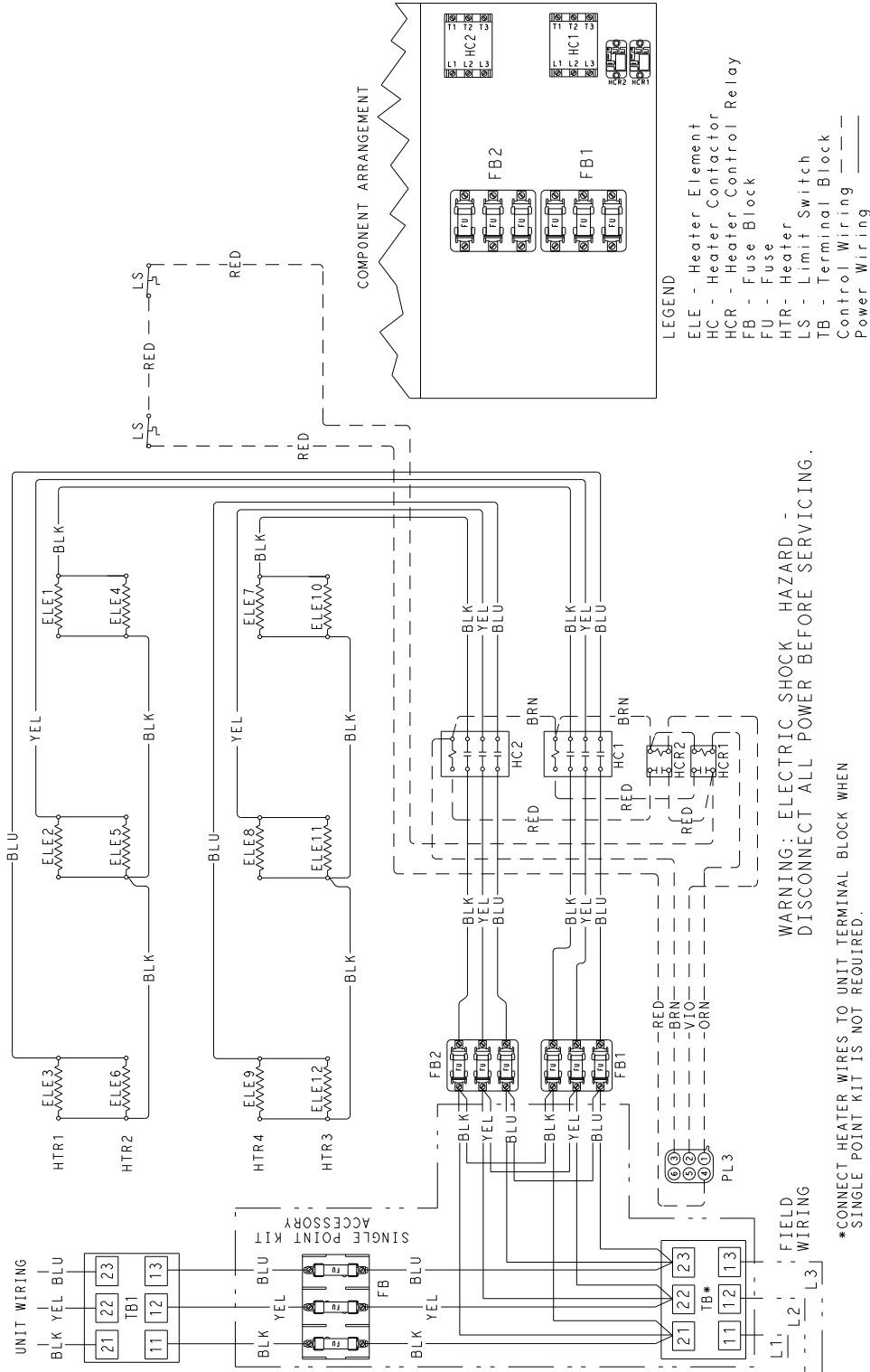
WIRING DIAGRAMS



C11361

Fig. 12 - CRHEATER276A00 and CRHEATER285A00 — 25 kW, 575 V, 60 Hz

WIRING DIAGRAMS



NOMINAL KW	VOLTS	PHASE	HERTZ	CONTROL VOLTS	STEPS	FB1 & FB2	
						FU RATING	CLASS
49.6	600	3	60	24	2	30A - 600V	T

C11362

Fig. 13 - CRHEATER277A00, CRHEATER286A00, CRHEATER311A00 AND CRHEATER314A00 — 49.6 KW, 600 V, 60 Hz



WIRING DIAGRAMS

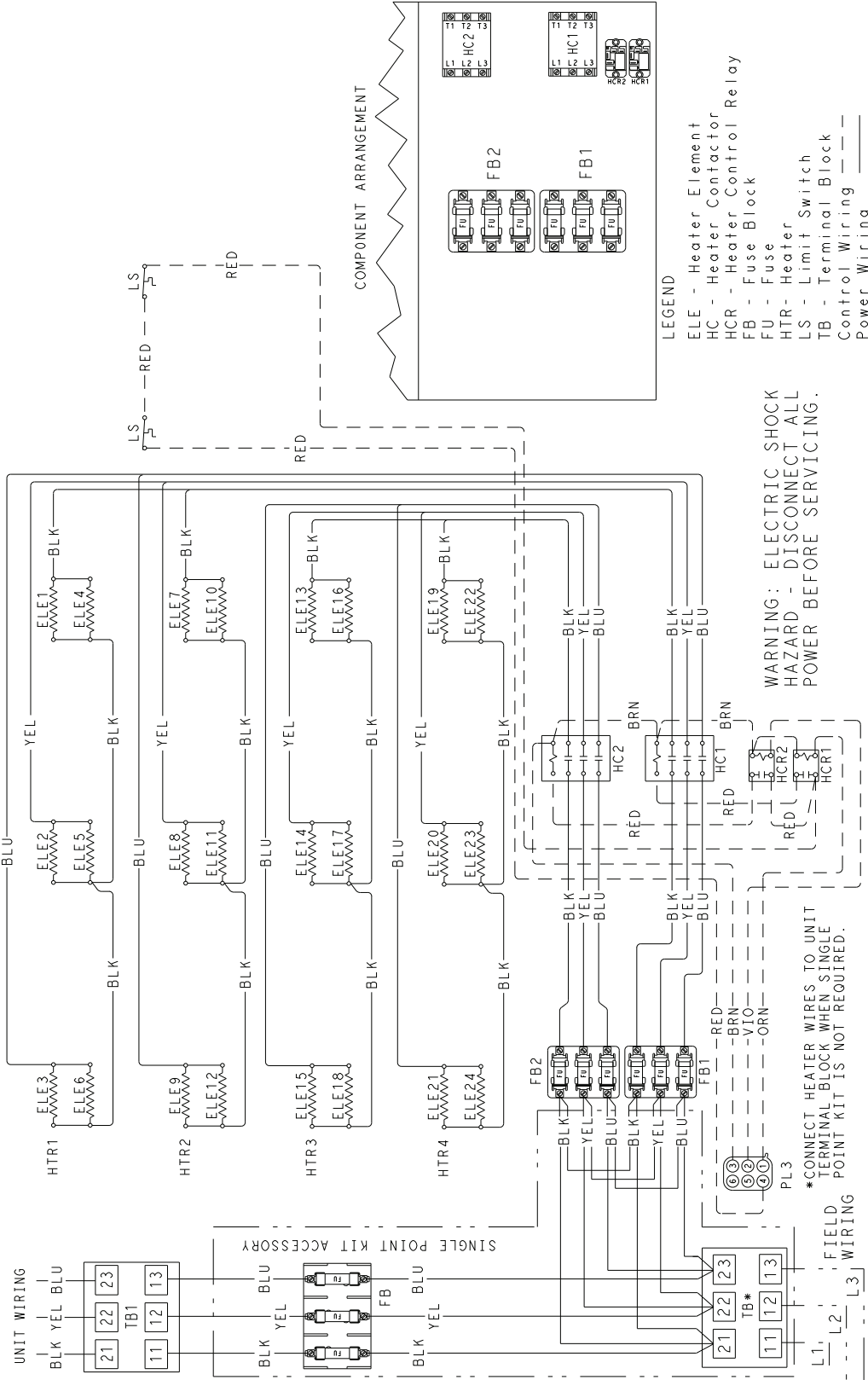
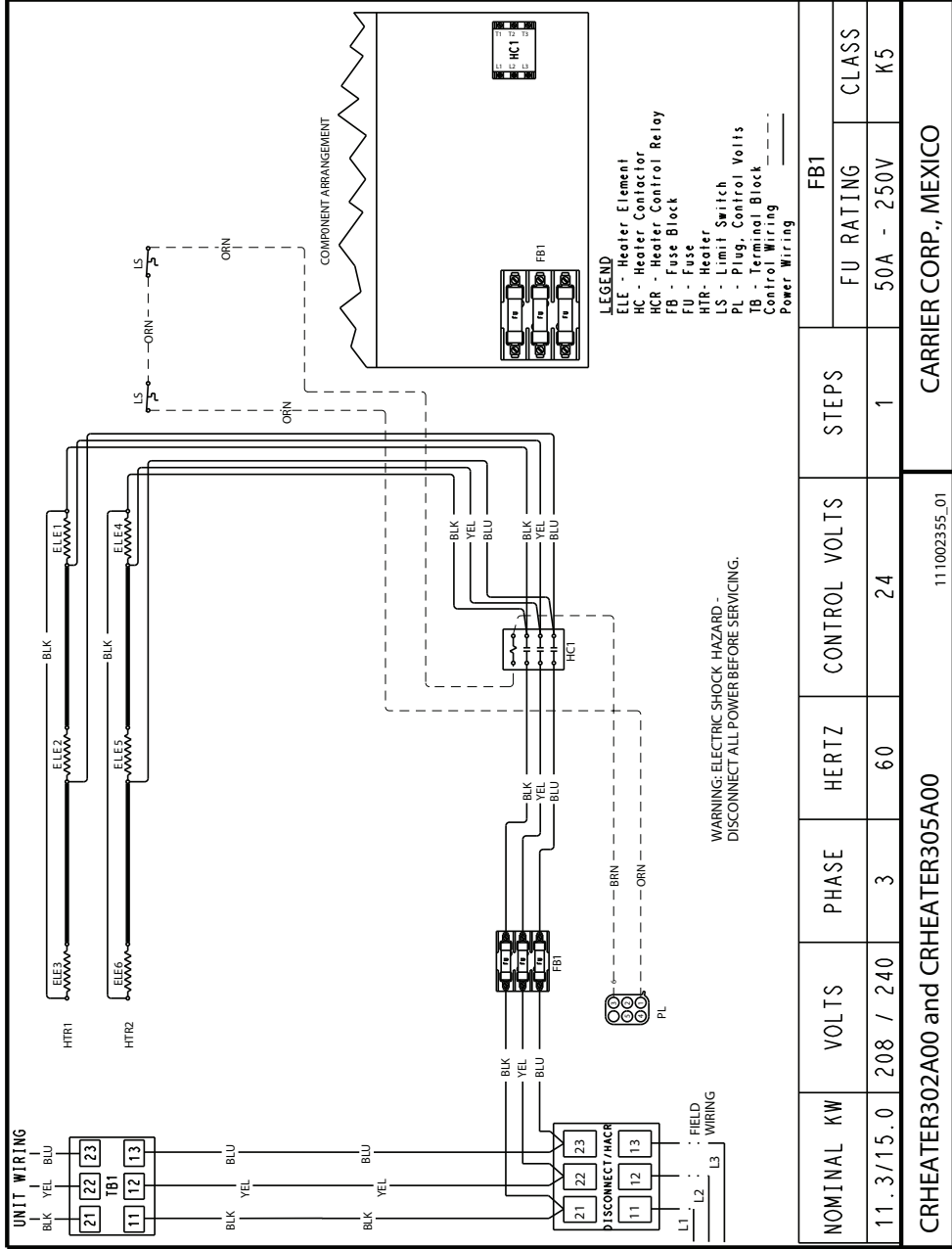


Fig. 14 - CRHEATER278A00 and CRHEATER287A00 — 75 kW, 575 V, 60 Hz

C11363

WIRING DIAGRAMS



DRAWING NUMBER	REV
50LC400427	A
SHEET 12 OF 36	

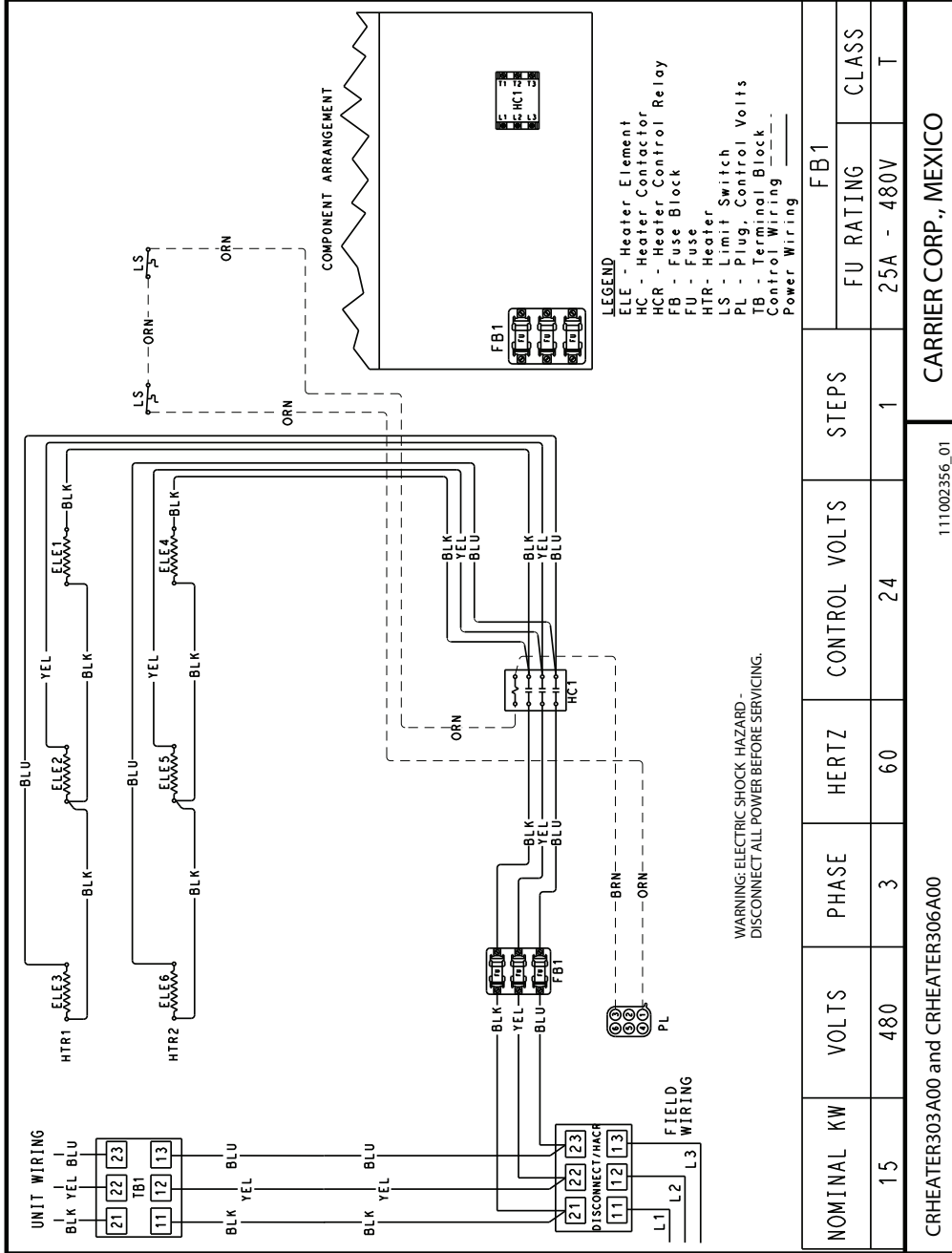
C18350

Fig. 15 - CRHEATER302A00 and CRHEATER305A00
11.3/15.0 kW, 208/240 V, 60 Hz



CRHEATER

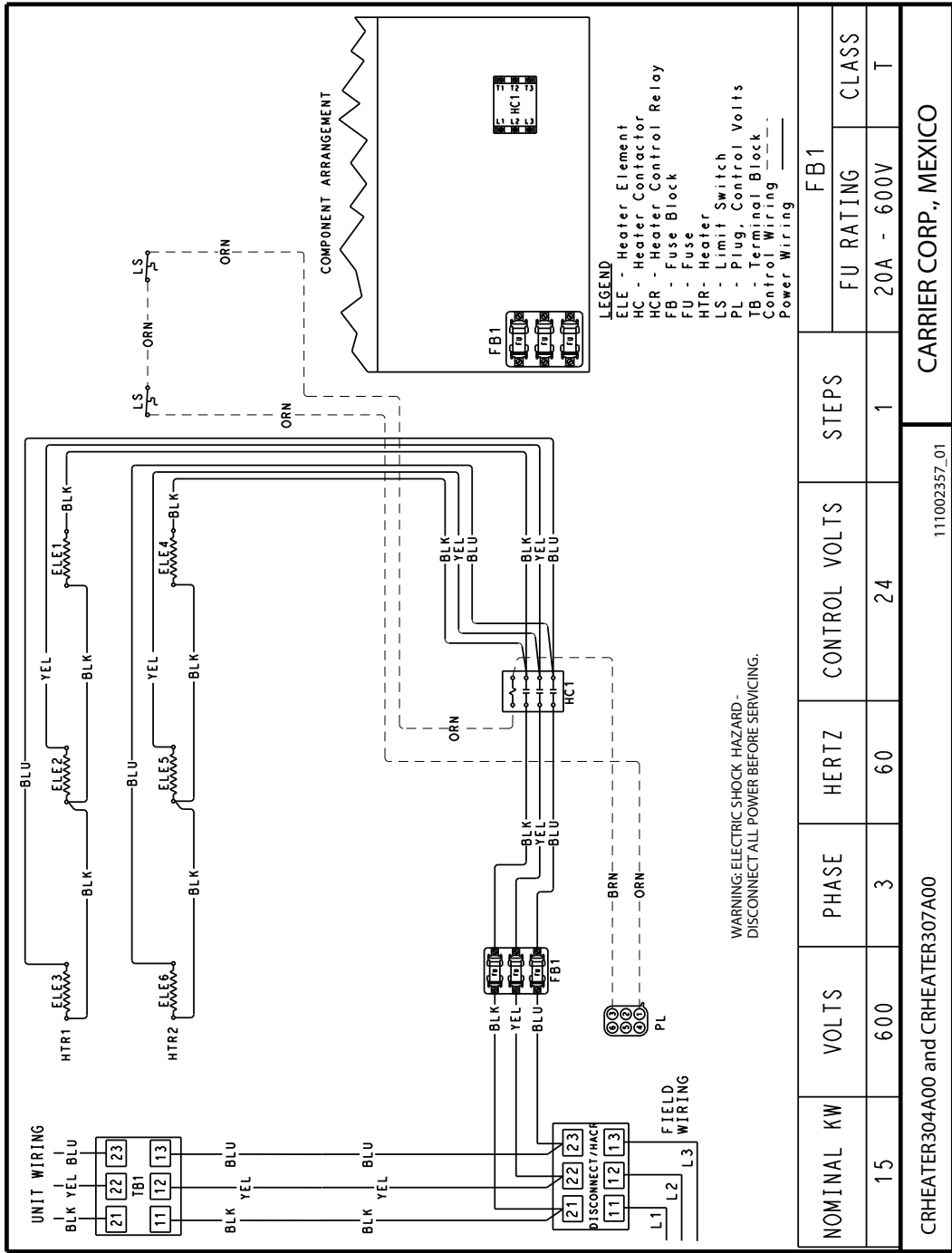
WIRING DIAGRAMS



DRAWING NUMBER	REV
50LC400427	A
SHEET 15 OF 36	

C18351

Fig. 16 - CRHEATER303A00 and CRHEATER306A00
15 KW, 480 V, 60 Hz



SIZE	D	DRAWING NUMBER	50LC400427	REV	A
			SHEET 18 OF 36		

Fig. 17 - CRHEATER304 and CRHEATER307A00
15Kw, 600 V, 60 Hz

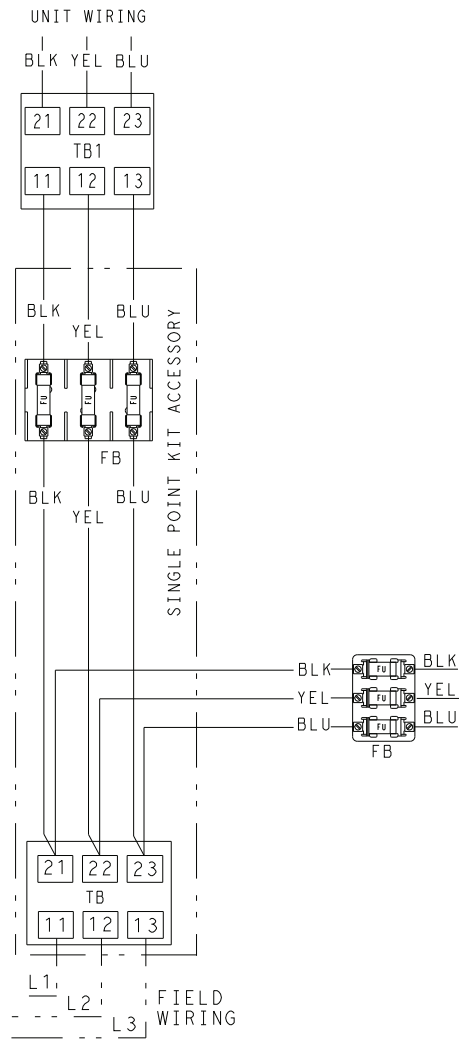


Fig. 18 - Wiring Diagram for Single Point Kit Accessory When Required

C13376