

**High  
Efficiency**

**14+**

**Kenmore**

## 14+ SEER - R410-A AIR CONDITIONER



Representative photo only, some models may vary in appearance.

### 2 THRU 5 TONS SPLIT SYSTEM FEATURES

- High efficiency scroll compressors on all models
- Copper tube / aluminum fin coil
- Prepainted condenser fins
- Top air discharge for quieter operation
- G-90 Galvanized steel cabinet with integral base rails
- Triple step paint process
- Coated inlet and discharge grilles ruggedly built for enhanced coil protection
- Numerous service friendly features
- Service valves on all models with 3-1/2" stubs
- External refrigerant connections
- Easy side access sloped control panel
- Fan motor in-line disconnect plug
- Discharge muffler for quieter operation
- Filter dryer
- High/Low pressure switches
- Shortened control panel
- Enhanced wire coil guard for maximum coil protection
- Compressor jacket for sound reduction
- Earth friendly R410-A refrigerant
- 10 Year parts, 10 year compressor limited warranties



Rated in accordance with ARI Standard 210. Certification applies only when used with proper components as listed with ARI.



International Comfort Products Corporation (USA)  
651 Heil-Quaker Ave.  
Lewisburg, Tennessee 37091

RESIDENTIAL AND COMMERCIAL SYSTEMS • SPLIT SYSTEMS • PACKAGED AIR CONDITIONERS •  
COMBINATION GAS / ELECTRIC UNITS • HEAT PUMPS • AIR HANDLERS • MANUFACTURED HOME AIR  
CONDITIONERS • GAS, OIL AND ELECTRIC FURNACES

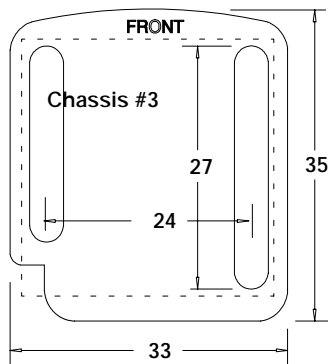
## Base Specifications

| Model Number                              | HXA424AKA  | HXA430AKA  | HXA436AKA  | HXA442AKA  | HXA448AKA  | HXA460AKA  |
|---|------------|------------|------------|------------|------------|------------|
| Rated Cooling Capacity (Btuh)             | 23400      | 28400      | 35600      | 39000      | 46000      | 57500      |
| SEER Label                                | 14         | 14         | 14         | 14         | 14         | 14         |
| Fan HP / Type / Speeds                    | 1/8-PSC-2  | 1/8-PSC-2  | 1/4-PSC-2  | 1/4-PSC-2  | 1/4-PSC-2  | 1/4-PSC-2  |
| Fan RPM / est. CFM                        | 840 / 2750 | 840 / 2750 | 840 / 3700 | 840 / 3700 | 840 / 3900 | 840 / 4000 |
| Coil Face Area (Sq Ft)                    | 20.0       | 20.0       | 24.0       | 26.7       | 26.7       | 26.7       |
| Coil Rows / Fins Per Inch                 | 2 / 22     | 2 / 18     | 2 / 22     | 2 / 22     | 2 / 22     | 2 / 22     |
| Line Connection Suction I.D. Size (In.)   | 3/4        | 3/4        | 7/8        | 7/8        | 7/8        | 1 1/8      |
| Line Connection Liquid I.D. Size (In.)    | 3/8        | 3/8        | 3/8        | 3/8        | 3/8        | 3/8        |
| Supplied Optional Evaporator Orifice Size | -          | -          | -          | -          | -          | -          |
| Factory Charge - R410-A (Oz)              | 192        | 192        | 224        | 256        | 256        | 272        |
| Weight Lbs. (Ship)                        | 208        | 225        | 245        | 275        | 290        | 308        |
| Sound Rating (dBA)                        | 72         | 72         | 72         | 72         | 72         | 76         |

## Electrical Specifications - 208 - 230 / 1 / 60, Voltage Range 197V - 253V

|                                       |           |           |           |            |            |            |
|---------------------------------------|-----------|-----------|-----------|------------|------------|------------|
| Minimum Circuit Ampacity              | 16.8      | 17.6      | 20.7      | 24.7       | 27.1       | 35.2       |
| Wire Size/Max. Length (AWG Cu) Ft.    | 14 / 44   | 14 / 42   | 12 / 57   | 12 / 50    | 10 / 70    | 8 / 84     |
| Time Delay Fuse (Amps)                | 25        | 30        | 30        | 40         | 40         | 50         |
| Max. Fuse or HACR Breaker Size (Amps) | 25        | 30        | 30        | 40         | 40         | 50         |
| Compressor Full Run / Lock Rotor Amps | 12.8 / 60 | 13.5 / 61 | 15.4 / 83 | 18.6 / 105 | 20.5 / 109 | 26.9 / 145 |
| Fan Full Load / Lock Rotor Amps.      | 0.8 / 1.5 | 0.8 / 1.5 | 1.5 / 2.9 | 1.5 / 2.9  | 1.5 / 2.9  | 1.5 / 2.9  |

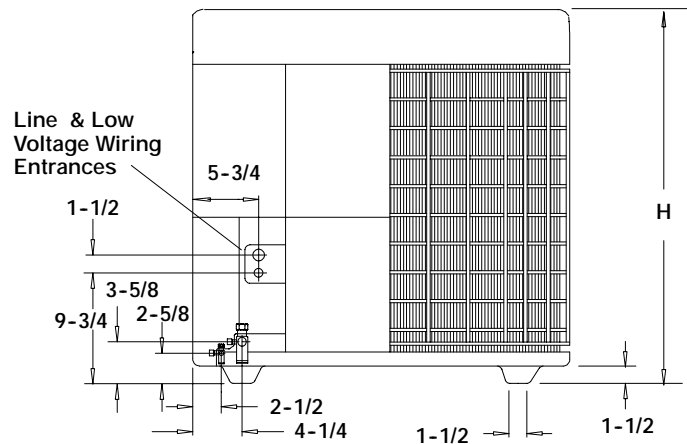
| Dimensions |         |            |
|------------|---------|------------|
| Model      | Chassis | Height (H) |
| 424        | 3       | 36.1       |
| 430        | 3       | 36.1       |
| 436        | 3       | 42.1       |
| 442        | 3       | 46.1       |
| 448        | 3       | 46.1       |
| 460        | 3       | 46.1       |



Minimum Mounting Pad Sizes with pad starting at 9" from structure for minimum clearances

Chassis #3 27" W X 28" D

ALL DIMENSIONS IN INCHES



| Accessory   | Description  | Used On          |
|-------------|--|------------------|
| AMA001TDA   | Indoor Blower Time Delay                                 | All Models       |
| 24370800 *  | Compressor Anti-short cycle 24 Volt 3 Min. Time Delay    | All Models       |
| 1070822*    | Compressor Anti-short cycle 24 Volt 5 Min. Time Delay    | All Models       |
| 1148671*    | Low Ambient Kit (Fan Cycling Switch)                     | All Models       |
| 1172010     | Compressor Crankcase Heater 40w - 240v                   | 1 1/2 thru 4 ton |
| 1172011     | Compressor Crankcase Heater 40w - 240v                   | 5 ton            |
| 1060833*    | Compressor Sound Jacket (Small Scroll)                   | 1 1/2 - 3 Ton    |
| 1060834 *   | Compressor Sound Jacket (Large Scroll)                   | 3 1/2 - 5 Ton    |
| EBAC01TXVX1 | R410-A TXV Bolt-On Kit for EBX and EBV Air Handlers Only | 1 1/2 - 3 Ton    |
| EBAC02TXVX1 | R410-A TXV Bolt-On Kit for EBX and EBV Air Handlers Only | 3 1/2 - 5 Ton    |

\* Order from Service Parts

# PERFORMANCE DATA COOLING

For Performance Ratings See: [www.ari.org](http://www.ari.org)

## MODEL NUMBER IDENTIFICATION GUIDE

|   |           |          |           |          |          |          |   |
|---|-----------|----------|-----------|----------|----------|----------|---|
| <b>MODEL NUMBER</b><br><b>PRODUCT FAMILY</b><br>* = Brand | <b>XA</b> | <b>4</b> | <b>24</b> | <b>A</b> | <b>K</b> | <b>A</b> | <b>SALES CODE</b><br><b>ELECTRICAL</b><br>K = 208/230-1-60<br>H = 208/230-3-60<br><b>CONNECTIONS</b><br>A = Sweat / Valve |
| <b>PRODUCT TYPE</b><br>XA = Air Conditioning / R410-A     |           |          |           |          |          |          |   |
| <b>NOMINAL SEER RATING</b><br>0 = 10 2 = 12 4 = 14        |           |          |           |          |          |          | <b>NOMINAL CAPACITY MBTUH</b><br>18 = 18,000 24 = 24,000 30 = 30,000 36 = 36,000<br>42 = 42,000 48 = 48,000 60 = 60,000   |

## EXTENDED REFRIGERANT LINE CORRECTION FACTORS

Varying Line Length in Feet (m) vs. Total Capacity Multiplier

| 25 (8) | 50 (15) | 75 (23) | 100 (30) | 125 (38) | 150 (46) |
|--------|---------|---------|----------|----------|----------|
| 1.00   | .99     | .98     | .96      | .94      | .92      |

### REFRIGERANT CHARGE DATA

All models are factory charged with R410-A for outdoor unit, 25' (8m) of refrigerant line and matching indoor section.  
Refrigerant charge correction per foot (305mm) of line:  
1/4" O.D. = .25 oz.; 5/16" O.D. = .45 oz.; 3/8" O.D. = .60 oz.;  
1/2" O.D. = 1.2 oz.

## VOLTAGE CORRECTION FACTORS

| Volts | Capacity | Watts |
|-------|----------|-------|
| 208   | .98      | .99   |

## INDOOR AIRFLOW CORRECTION TABLE

| % Rated Air      | 90  | 95  | 100  | 105  | 110  |
|------------------|-----|-----|------|------|------|
| Total Cap. Mult. | .98 | .99 | 1.00 | 1.01 | 1.03 |
| Sens Cap. Mult.  | .95 | .98 | 1.00 | 1.03 | 1.05 |

## INDOOR TEMPERATURE CORRECTION TABLE

(Based on 95°F Ambient)

| Indoor D.B. °F (°C). | Correction Factor | Entering Indoor Wet Bulb °F (°C). |         |         |         |         |         |         |
|----------------------|-------------------|-----------------------------------|---------|---------|---------|---------|---------|---------|
|                      |                   | 59 (15)                           | 61 (16) | 63 (17) | 65 (18) | 67 (19) | 69 (20) | 71 (21) |
| 70 (21)              | Total Cap. Mult.  | .90                               | .93     | .96     | .99     | 1.02    | -       | -       |
|                      | Sens Cap. Mult.   | .86                               | .85     | .82     | .77     | .70     | -       | -       |
| 75 (24)              | Total Cap. Mult.  | .89                               | .92     | .95     | .98     | 1.01    | 1.04    | -       |
|                      | Sens Cap. Mult.   | 1.04                              | 1.03    | 1.00    | .95     | .88     | .78     | -       |
| 80 (26)              | Total Cap. Mult.  | .88                               | .91     | .94     | .97     | 1.00    | 1.03    | 1.06    |
|                      | Sens Cap. Mult.   | 1.18                              | 1.17    | 1.14    | 1.08    | 1.00    | .89     | .73     |
| 85 (29)              | Total Cap. Mult.  | -                                 | .90     | .93     | .96     | .99     | 1.02    | 1.05    |
|                      | Sens Cap. Mult.   | -                                 | 1.29    | 1.26    | 1.20    | 1.11    | .98     | .81     |

Bold Type = approximately 50% Relative Humidity