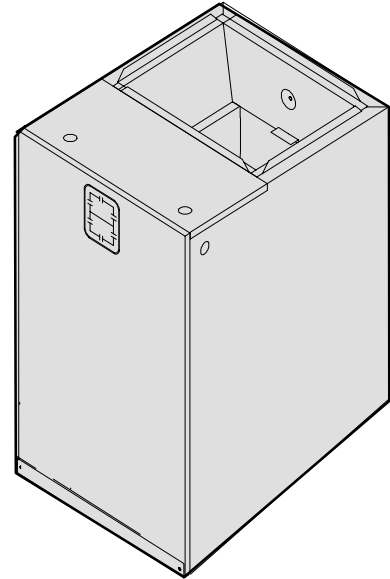


1 1/2 THRU 5 TONS SPLIT SYSTEM

FEATURES

- Air Conditioning ready
- Heat Pump ready (No Electric Heat)
- Prepainted galvanized steel cabinet
- Internally lined with R4.2, 1" Tuf-Skin II insulation
- Direct drive slide-out blower assembly
- Matches full line of Cased Coils
- Upflow, downflow and horizontal right or left applications



UNIT SPECIFICATIONS - BLOWERS

Model Number		EB08B1500A	EB12F1900A	EB16J2200A	EB20N2600A
Application		Upflow / Horizontal			
Electrical		Volts-Phase-Hz. 115 - 1 - 60			
Data **	Minimum Circuit Ampacity*	7.5	7.5	7.5	7.5
	Time Delay Fuse (Amps)	15			
	Maximum Fuse or Breaker Size (Amps)	15			
Blower		DD9 - 7	DD10 - 8	DD10 - 9	DD10 - 9
Data	Horsepower - Speed	1/4 - 3	1/3 - 3	1/2 - 3	3/4 - 3
	Full Load Rated Amps	3.8	4.9	6.5	9.7
Transformer		40 VA			
Weight	Net / Shipping / (Lbs.)	71 / 75	83 / 88	98 / 104	115 / 120



Airflow is blower only, Deduct Coil static based on coil chart.

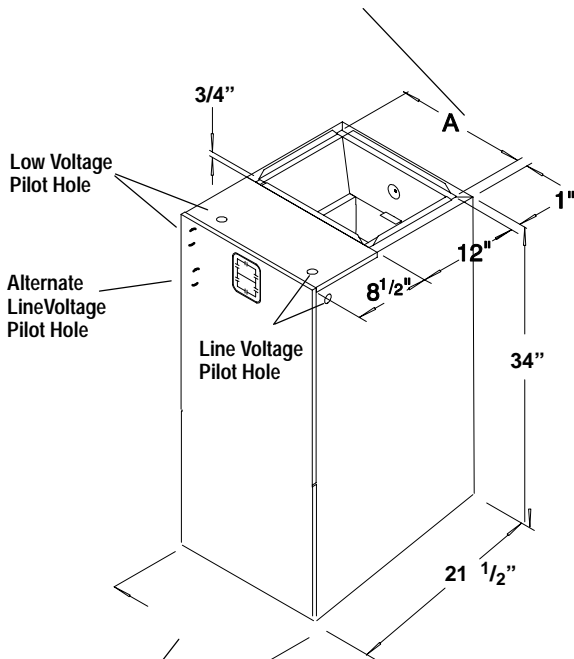
SPEED	VOLTAGE	SP IN. WG.						
		0.1	0.2	0.3	0.4	0.5	0.6	0.7
LOW	115V	572	591	603	599	590	595	594
MED	115V	727	755	765	779	760	723	721
HIGH	115V	976	1011	1026	1018	983	915	822

SPEED	VOLTAGE	SP IN. WG.						
		0.1	0.2	0.3	0.4	0.5	0.6	0.7
LOW	115V	1009	1046	1063	1054	1025	946	905
MED	115V	1326	1342	1345	1361	1339	1280	1158
HIGH	115V	1744	1801	1773	1744	1703	1648	1558

SPEED	VOLTAGE	SP IN. WG.						
		0.1	0.2	0.3	0.4	0.5	0.6	0.7
LOW	115V	903	905	898	884	871	843	813
MED	115V	1108	1115	1104	1097	1084	1061	1014
HIGH	115V	1453	1439	1429	1417	1383	1334	1297

SPEED	VOLTAGE	SP IN. WG.						
		0.1	0.2	0.3	0.4	0.5	0.6	0.7
LOW	115V	1549	1564	1571	1565	1554	1541	1506
MED	115V	1907	1920	1930	1906	1849	1751	1660
HIGH	115V	2473	2456	2405	2348	2280	2193	2105

- 14-3/8" (2-2 1/2 Ton)
- 17-7/8" (3-3 1/2 Ton)
- 21-1/2" (4 Ton)
- 25-1/8" (5 Ton)



- 16-3/8" (2-2 1/2 Ton)
- 19-7/8" (3-3 1/2 Ton)
- 23-1/2" (4 Ton)
- 27-1/8" (5 Ton)

MODEL NUMBER IDENTIFICATION GUIDE					
E	B	12	F19	00	A
PRODUCT FAMILY				SALES CODE	
EB = BLOWER				FIELD INSTALLED HEATERS	
NOMINAL CFM RANGE				COIL WIDTH MATCH	
08 = 800					
12 = 1200					
16 = 1600					
20 = 2000					

CLEARANCES	
All Sides	0"
From Supply Duct	0"
Recommended Service From Front	20"
(Service for blower, filter if installed)	

38-20-17